

NB6N14S

3.3 V 1:4 AnyLevel™ Differential Input to LVDS Fanout Buffer/Translator

The NB6N14S is a differential 1:4 Clock or Data Receiver and will accept AnyLevel™ differential input signals: LVPECL, CML or LVDS. These signals will be translated to LVDS and four identical copies of Clock or Data will be distributed, operating up to 2.0 GHz or 2.5 Gb/s, respectively. As such, the NB6N14S is ideal for SONET, GigE, Fiber Channel, Backplane and other Clock or Data distribution applications.

The NB6N14S has a wide input common mode range from GND + 50 mV to V_{CC} - 50 mV. Combined with the 50 Ω internal termination resistors at the inputs, the NB6N14S is ideal for translating a variety of differential or single-ended Clock or Data signals to 350 mV typical LVDS output levels.

The NB6N14S is offered in a small 3 mm x 3 mm 16-QFN package. Application notes, models, and support documentation are available at www.onsemi.com.

The NB6N14S is a member of the ECLinPS MAX™ family of high performance products.

Features

- Maximum Input Clock Frequency > 2.0 GHz
- Maximum Input Data Rate > 2.5 Gb/s
- 1 ps Maximum RMS Clock Jitter
- Typically 10 ps Data Dependent Jitter
- 380 ps Typical Propagation Delay
- 120 ps Typical Rise and Fall Times
- V_{REF_AC} Reference Output
- TIA/EIA - 644 Compliant
- Functionally Compatible with Existing 3.3 V LVEL, LVEP, EP, and SG Devices
- These are Pb-Free Devices

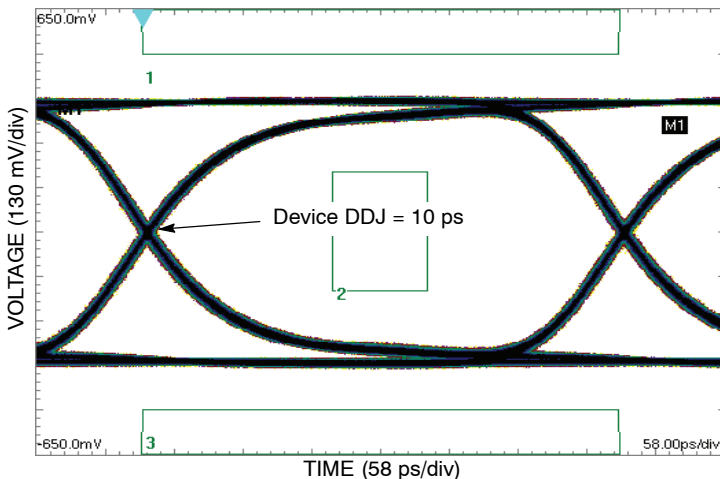


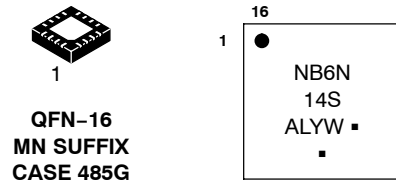
Figure 2. Typical Output Waveform at 2.488 Gb/s with PRBS 2²³-1 (V_{INPP} = 400 mV; Input Signal DDJ = 14 ps)



ON Semiconductor®

<http://onsemi.com>

MARKING DIAGRAM*



- A = Assembly Location
- L = Wafer Lot
- Y = Year
- W = Work Week
- = Pb-Free Package

(Note: Microdot may be in either location)

*For additional marking information, refer to Application Note AND8002/D.

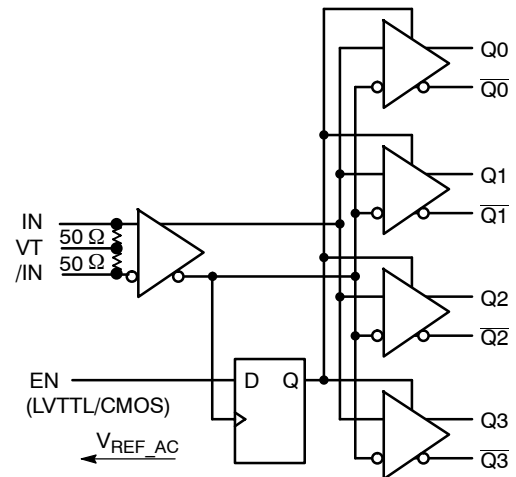


Figure 1. Logic Diagram

ORDERING INFORMATION

See detailed ordering and shipping information in the package dimensions section on page 9 of this data sheet.

NB6N14S

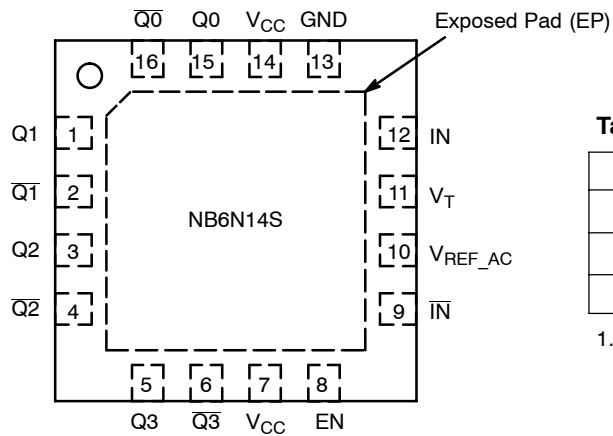


Figure 3. NB6N14S Pinout, 16-pin QFN (Top View)

Table 1. TRUTH TABLE

| IN | IN̄ | EN | Q | Q̄ |
|----|-----|----|------------|------------|
| 0 | 1 | 1 | 0 | 1 |
| 1 | 0 | 1 | 1 | 0 |
| x | x | 0 | 0 (Note 1) | 1 (Note 1) |

1. On next transition of the input signal (IN).

Table 2. PIN DESCRIPTION

| Pin | Name | I/O | Description |
|-----|---------------------|-----------------------|--|
| 1 | Q1 | LVDS Output | Non-inverted IN output. Typically loaded with 100 Ω receiver termination resistor across differential pair. |
| 2 | Q1̄ | LVDS Output | Inverted IN output. Typically loaded with 100 Ω receiver termination resistor across differential pair. |
| 3 | Q2 | LVDS Output | Non-inverted IN output. Typically loaded with 100 Ω receiver termination resistor across differential pair. |
| 4 | Q2̄ | LVDS Output | Inverted IN output. Typically loaded with 100 Ω receiver termination resistor across differential pair. |
| 5 | Q3 | LVDS Output | Non-inverted IN output. Typically loaded with 100 Ω receiver termination resistor across differential pair. |
| 6 | Q3̄ | LVDS Output | Inverted IN output. Typically loaded with 100 Ω receiver termination resistor across differential pair. |
| 7 | V _{CC} | - | Positive Supply Voltage. |
| 8 | EN | LVTTTL / LVCMOS Input | Synchronous Output Enable. When LOW, Q outputs will go LOW and Qb outputs will go HIGH on the next negative transition of IN input. The internal DFF register is clocked on the falling edge of IN input; see Figure 19. The EN pin has an internal pullup resistor and defaults HIGH when left open. |
| 9 | IN̄ | LVPECL, CML, LVDS | Inverted Differential Input |
| 10 | V _{REF_AC} | LVPECL Output | The V _{REF_AC} reference output can be used to rebias capacitor-coupled differential or single-ended input signals. For the capacitor-coupled IN and/or INb inputs, V _{REF_AC} should be connected to the VT pin and bypassed to ground with a 0.01 μF capacitor. |
| 11 | V _T | LVPECL Output | Internal 100 Ω Center-tapped Termination Pin for IN and IN̄ |
| 12 | IN | LVPECL, CML, LVDS | Non-inverted Differential Input. (Note 2) |
| 13 | GND | - | Negative Supply Voltage. |
| 14 | V _{CC} | - | Positive Supply Voltage. |
| 15 | Q0 | LVDS Output | Non-inverted IN output. Typically loaded with 100 Ω receiver termination resistor across differential pair. |
| 16 | Q0̄ | LVDS Output | Inverted IN output. Typically loaded with 100 Ω receiver termination resistor across differential pair. |
| - | EP | - | The Exposed Pad (EP) on the QFN-16 package bottom is thermally connected to the die for improved heat transfer out of package. The exposed pad must be attached to a heat-sinking conduit. The pad is not electrically connected to the die, but is recommended to be electrically and thermally connected to GND on the PC board. |

2. In the differential configuration, when the input termination pin (VT) is connected to a termination voltage or left open, and if no signal is applied on IN/IN̄ inputs, then the device will be susceptible to self-oscillation.

NB6N14S

Table 3. ATTRIBUTES

| Characteristics | Value |
|--|--|
| Moisture Sensitivity (Note 3) | Level 1 |
| Flammability Rating | Oxygen Index: 28 to 34 UL 94 V-0 @ 0.125 in |
| ESD Protection | Human Body Model Machine Model > 2 kV > 200 V |
| Transistor Count | 225 |
| Meets or exceeds JEDEC Spec EIA/JESD78 IC Latchup Test | |

3. For additional information, see Application Note AND8003/D.

Table 4. MAXIMUM RATINGS

| Symbol | Parameter | Condition 1 | Condition 2 | Rating | Unit |
|---------------------|--|---|-----------------------------------|--------------|--------------|
| V _{CC} | Positive Power Supply | GND = 0 V | | 3.8 | V |
| V _{IN} | Positive Input | GND = 0 V | V _{IN} ≤ V _{CC} | 3.8 | V |
| I _{IN} | Input Current Through R _T (50 Ω Resistor) | Static Surge | | 35 70 | mA mA |
| I _{OSC} | Output Short Circuit Current Line-to-Line (Q to \bar{Q}) Line-to-End (Q or \bar{Q} to GND) TIA/EIA – 644 Compliant | Q or \bar{Q} to GND Q to \bar{Q} | Continuous Continuous | 12 24 | mA |
| I _{REF_AC} | V _{REF_AC} Sink/Source Current | | | ± 0.5 | mA |
| T _A | Operating Temperature Range | QFN-16 | | -40 to +85 | °C |
| T _{stg} | Storage Temperature Range | | | -65 to +150 | °C |
| θ _{JA} | Thermal Resistance (Junction-to-Ambient) (Note 4) | 0 lfpm 500 lfpm | QFN-16 QFN-16 | 41.6 35.2 | °C/W °C/W |
| θ _{JC} | Thermal Resistance (Junction-to-Case) | 1S2P (Note 4) | QFN-16 | 4.0 | °C/W |
| T _{sol} | Wave Solder | Pb-Free | | 265 | °C |

Stresses exceeding Maximum Ratings may damage the device. Maximum Ratings are stress ratings only. Functional operation above the Recommended Operating Conditions is not implied. Extended exposure to stresses above the Recommended Operating Conditions may affect device reliability.

4. JEDEC standard multilayer board – 1S2P (1 signal, 2 power) with 8 filled thermal vias under exposed pad.

NB6N14S

Table 5. DC CHARACTERISTICS $V_{CC} = 3.0\text{ V to }3.6\text{ V}$, $GND = 0\text{ V}$, $T_A = -40^\circ\text{C to }+85^\circ\text{C}$

| Symbol | Characteristic | Min | Typ | Max | Unit |
|----------|-------------------------------|-----|-----|-----|------|
| I_{CC} | Power Supply Current (Note 9) | | 65 | 100 | mA |

DIFFERENTIAL INPUTS DRIVEN SINGLE-ENDED (Figures 10, 11, 15, and 17)

| | | | | | |
|---------------|--|------------------|------------------|------------------|----|
| V_{th} | Input Threshold Reference Voltage Range (Note 8) | GND +100 | | $V_{CC} - 100$ | mV |
| V_{IH} | Single-ended Input HIGH Voltage | $V_{th} + 100$ | | V_{CC} | mV |
| V_{IL} | Single-ended Input LOW Voltage | GND | | $V_{th} - 100$ | mV |
| V_{REF_AC} | Reference Output Voltage (Note 11) | $V_{CC} - 1.600$ | $V_{CC} - 1.425$ | $V_{CC} - 1.300$ | V |

DIFFERENTIAL INPUTS DRIVEN DIFFERENTIALLY (Figures 6, 7, 8, 9, 16, and 18)

| | | | | | |
|-----------|--|----------|----|----------------|----------|
| V_{IHD} | Differential Input HIGH Voltage | 100 | | V_{CC} | mV |
| V_{ILD} | Differential Input LOW Voltage | GND | | $V_{CC} - 100$ | mV |
| V_{CMR} | Input Common Mode Range (Differential Configuration) | GND + 50 | | $V_{CC} - 50$ | mV |
| V_{ID} | Differential Input Voltage ($V_{IHD} - V_{ILD}$) | 100 | | V_{CC} | mV |
| R_{TIN} | Internal Input Termination Resistor | 40 | 50 | 60 | Ω |

LVDS OUTPUTS (Note 5)

| | | | | | |
|-----------------|---|------|------|------|----|
| V_{OD} | Differential Output Voltage | 250 | | 450 | mV |
| ΔV_{OD} | Change in Magnitude of V_{OD} for Complementary Output States (Note 10) | 0 | 1 | 25 | mV |
| V_{OS} | Offset Voltage (Figure 14) | 1125 | | 1375 | mV |
| ΔV_{OS} | Change in Magnitude of V_{OS} for Complementary Output States (Note 10) | 0 | 1 | 25 | mV |
| V_{OH} | Output HIGH Voltage (Note 6) | | 1425 | 1600 | mV |
| V_{OL} | Output LOW Voltage (Note 7) | 900 | 1075 | | mV |

LVTTTL/LVCMOS INPUTS

| | | | | | |
|----------|--------------------------------|------|--|----------|---------------|
| V_{IH} | Input HIGH Voltage (Note 7, 8) | 2.0 | | V_{CC} | V |
| V_{IL} | Input LOW Voltage (Note 7, 8) | GND | | 0.8 | V |
| I_{IH} | Input HIGH Current | -150 | | 150 | μA |
| I_{IL} | Input LOW Current | -150 | | 150 | μA |

NOTE: Device will meet the specifications after thermal equilibrium has been established when mounted in a test socket or printed circuit board with maintained transverse airflow greater than 500 lfpm. Electrical parameters are guaranteed only over the declared operating temperature range. Functional operation of the device exceeding these conditions is not implied. Device specification limit values are applied individually under normal operating conditions and not valid simultaneously.

5. LVDS outputs require 100 Ω receiver termination resistor between differential pair. See Figure 13.
6. $V_{OHmax} = V_{OSmax} + \frac{1}{2} V_{ODmax}$.
7. $V_{OLmax} = V_{OSmin} - \frac{1}{2} V_{ODmax}$.
8. V_{th} is applied to the complementary input when operating in single-ended mode.
9. Input termination pins open, D/D at the DC level within V_{CMR} and output pins loaded with $R_L = 100\ \Omega$ across differential.
10. Parameter guaranteed by design verification not tested in production.
11. V_{REF_AC} used to rebias capacitor-coupled inputs only (see Figures 10 and 11).

NB6N14S

Table 6. AC CHARACTERISTICS $V_{CC} = 3.0\text{ V to }3.6\text{ V}$, $GND = 0\text{ V}$; (Note 12)

| Symbol | Characteristic | -40°C | | | 25°C | | | 85°C | | | Unit | |
|--------------------------|---|--------------|-----|--------------|------|-----|--------------|------|-----|--------------|------|----|
| | | Min | Typ | Max | Min | Typ | Max | Min | Typ | Max | | |
| f_{inMax} | Maximum Input Clock Frequency | 2.0 | | | 2.0 | | | 2.0 | | | GHz | |
| V_{OUTPP} | Output Voltage Amplitude (@ $V_{INPPmin}$) (Figure 4) | 220 | 350 | | 220 | 350 | | 220 | 350 | | mV | |
| | $f_{in} \leq 1.0\text{ GHz}$ | 200 | 300 | | 200 | 300 | | 200 | 300 | | | |
| | $f_{in} = 1.5\text{ GHz}$ | 170 | 270 | | 170 | 270 | | 170 | 270 | | | |
| | $f_{in} = 2.0\text{ GHz}$ | | | | | | | | | | | |
| f_{DATA} | Maximum Operating Data Rate | 1.5 | 2.5 | | 1.5 | 2.5 | | 1.5 | 2.5 | | Gb/s | |
| t_{PLH} , t_{PHL} | Differential Input to Differential Output Propagation Delay | 300 | 450 | 600 | 300 | 450 | 600 | 300 | 450 | 600 | ps | |
| t_s t_h | Setup Time Hold Time | 300 | 60 | | 300 | 60 | | 300 | 60 | | | |
| | | 500 | 70 | | 500 | 70 | | 500 | 70 | | | |
| t_{SKEW} | Within Device Skew (Note 17) Device-to-Device Skew (Note 16) | | 5 | 20 | | 5 | 20 | | 5 | 20 | ps | |
| | | | 30 | 200 | | 30 | 200 | | 30 | 200 | | |
| t_{JITTER} | RMS Random Clock Jitter (Note 14) $f_{in} = 1.0\text{ GHz}$ $f_{in} = 1.5\text{ GHz}$ Deterministic Jitter (Note 15) $f_{DATA} = 622\text{ Mb/s}$ $f_{DATA} = 1.5\text{ Gb/s}$ $f_{DATA} = 2.488\text{ Gb/s}$ | | 0.5 | | | 0.5 | | | 0.5 | | ps | |
| | | | 0.5 | | | 0.5 | | | 0.5 | | | |
| | | | 10 | | | 10 | | | 10 | | | |
| | | | 10 | | | 10 | | | 10 | | | |
| | | | 10 | | | 10 | | | 10 | | | |
| V_{INPP} | Input Voltage Swing/Sensitivity (Differential Configuration) (Note 13) | 100 | | $V_{CC}-GND$ | 100 | | $V_{CC}-GND$ | 100 | | $V_{CC}-GND$ | mV | |
| t_r t_f | Output Rise/Fall Times @ 250 MHz (20% – 80%) | Q, \bar{Q} | 60 | 120 | 190 | 60 | 120 | 190 | 60 | 120 | 190 | ps |

NOTE: Device will meet the specifications after thermal equilibrium has been established when mounted in a test socket or printed circuit board with maintained transverse airflow greater than 500 lfpm. Electrical parameters are guaranteed only over the declared operating temperature range. Functional operation of the device exceeding these conditions is not implied. Device specification limit values are applied individually under normal operating conditions and not valid simultaneously.

12. Measured by forcing $V_{INPPmin}$ with 50% duty cycle clock source and $V_{CC} - 1400\text{ mV}$ offset. All loading with an external $R_L = 100\ \Omega$. Input edge rates 150 ps (20%–80%). See Figure 13.

13. Input voltage swing is a single-ended measurement operating in differential mode.

14. RMS jitter with 50% Duty Cycle clock signal at 750 MHz.

15. Deterministic jitter with input NRZ data at PRBS $2^{23}-1$ and K28.5.

16. Skew is measured between outputs under identical transition @ 250 MHz.

17. The worst case condition between $Q0/\bar{Q}0$ and $Q1/\bar{Q}1$ from either $D0/\bar{D}0$ or $D1/\bar{D}1$, when both outputs have the same transition.

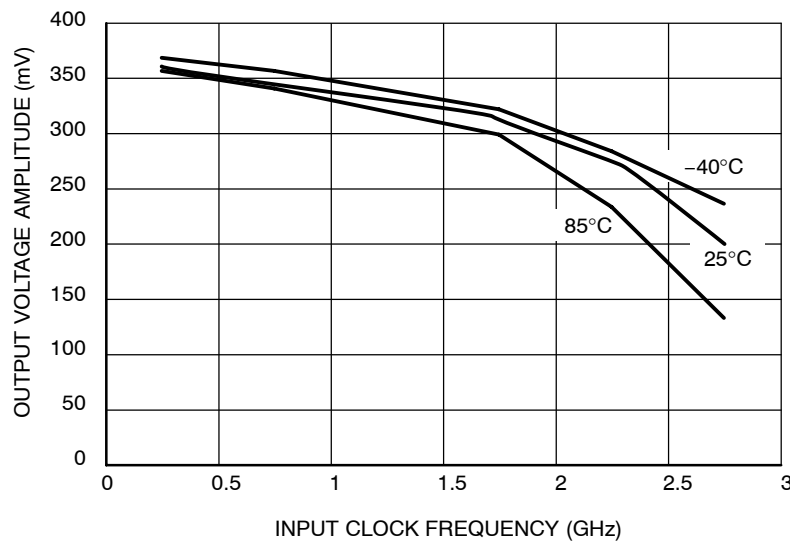


Figure 4. Output Voltage Amplitude (V_{OUTPP}) versus Input Clock Frequency (f_{in}) and Temperature (@ $V_{CC} = 3.3\text{ V}$)

NB6N14S

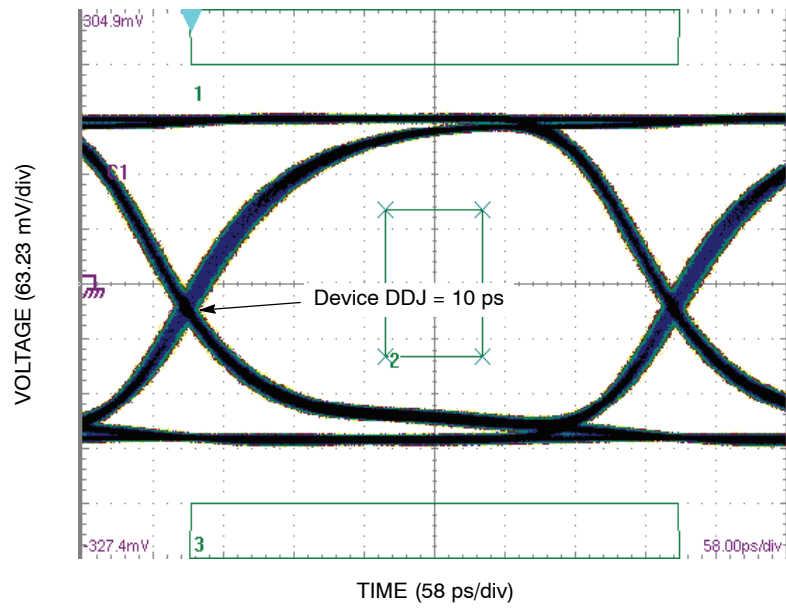


Figure 5. Typical Output Waveform at 2.488 Gb/s with PRBS $2^{23}-1$ and OC48 mask ($V_{INPP} = 100$ mV; Input Signal DDJ = 14 ps)

NB6N14S

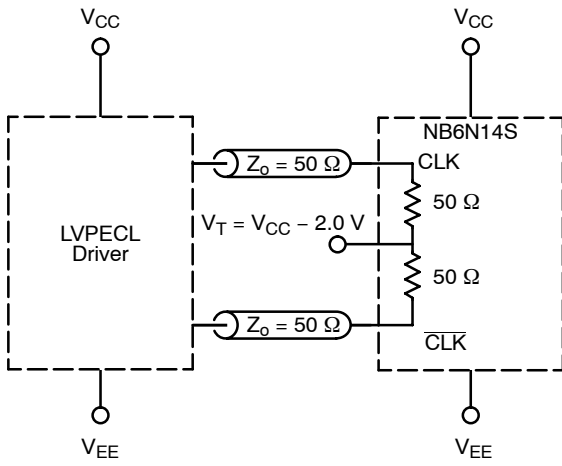


Figure 6. LVPECL Interface

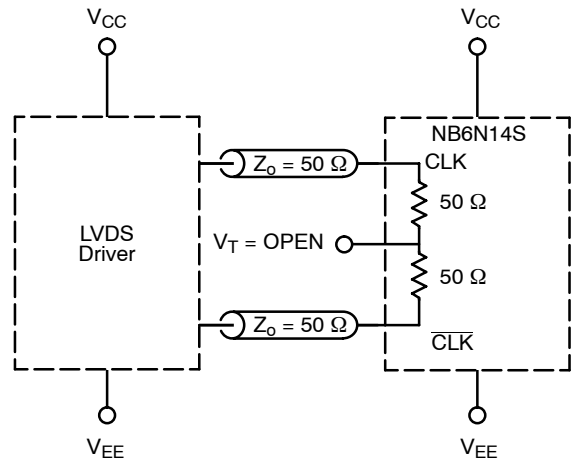


Figure 7. LVDS Interface

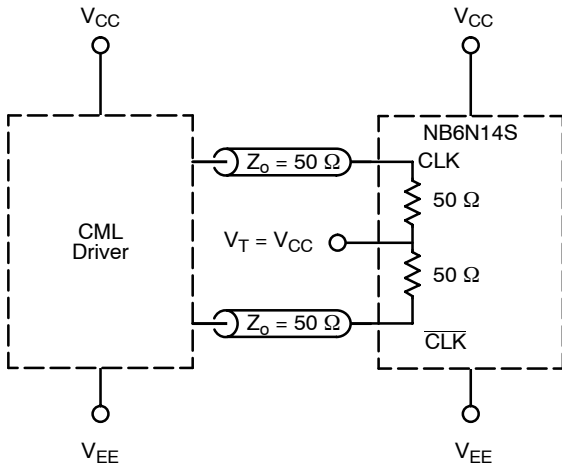


Figure 8. Standard 50 Ω Load CML Interface

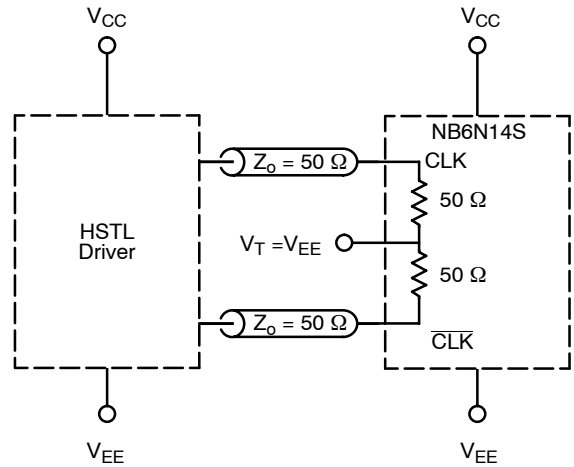


Figure 9. Standard 50 Ω Load HSTL Interface

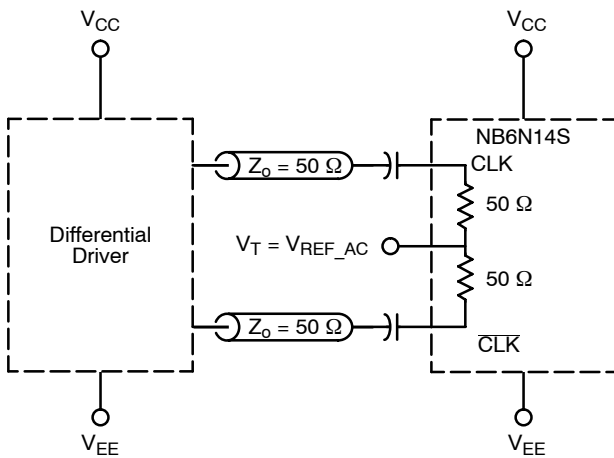


Figure 10. Capacitor-Coupled Differential Interface (V_T Connected to V_{REF_AC})

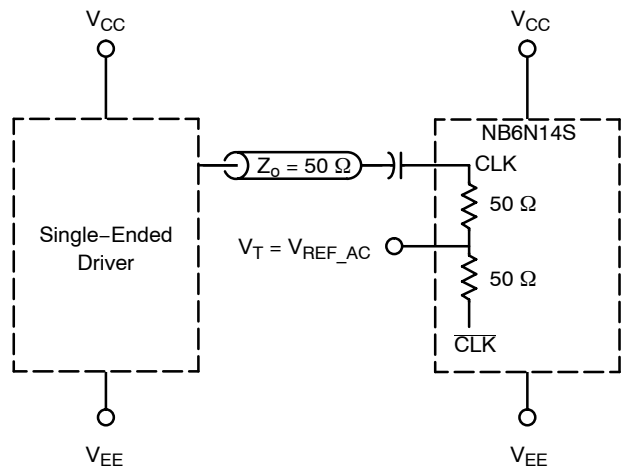


Figure 11. Capacitor-Coupled Single-Ended Interface (V_T Connected to V_{REF_AC})

NB6N14S

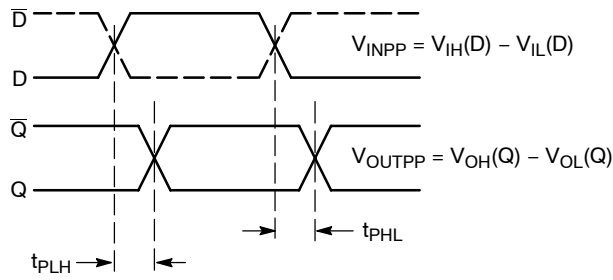


Figure 12. AC Reference Measurement

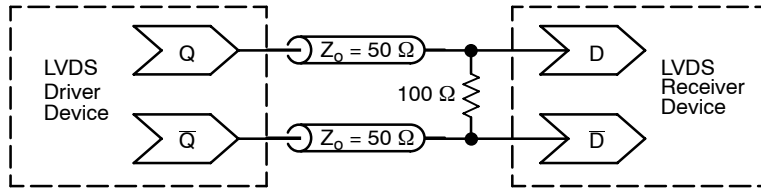


Figure 13. Typical LVDS Termination for Output Driver and Device Evaluation

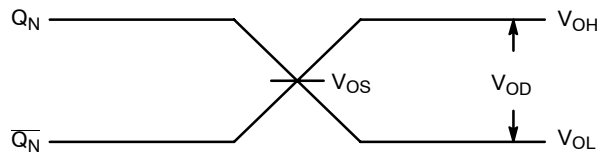


Figure 14. LVDS Output

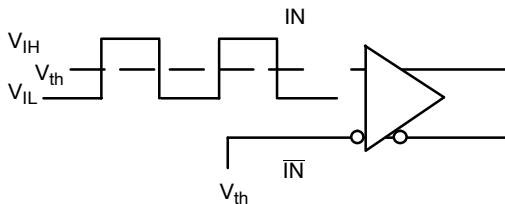


Figure 15. Differential Input Driven Single-Ended

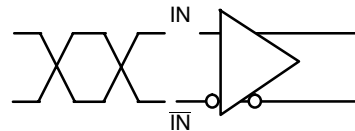


Figure 16. Differential Inputs Driven Differentially

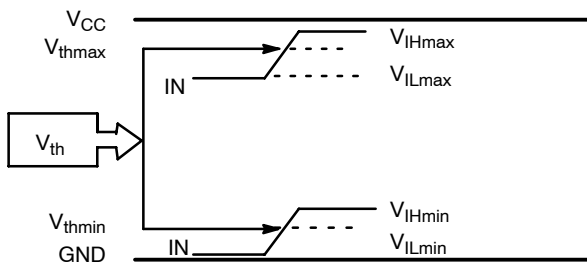


Figure 17. V_{th} Diagram

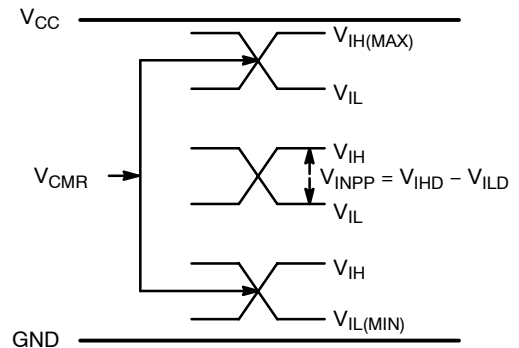


Figure 18. V_{CMR} Diagram

NB6N14S

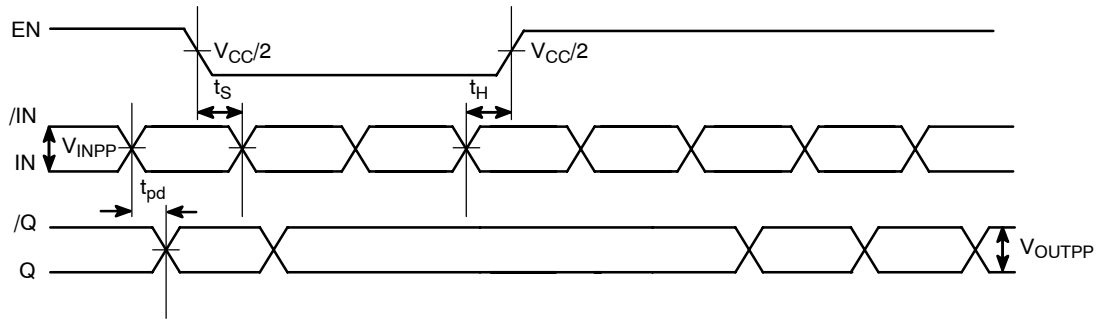


Figure 19. EN Timing Diagram

ORDERING INFORMATION

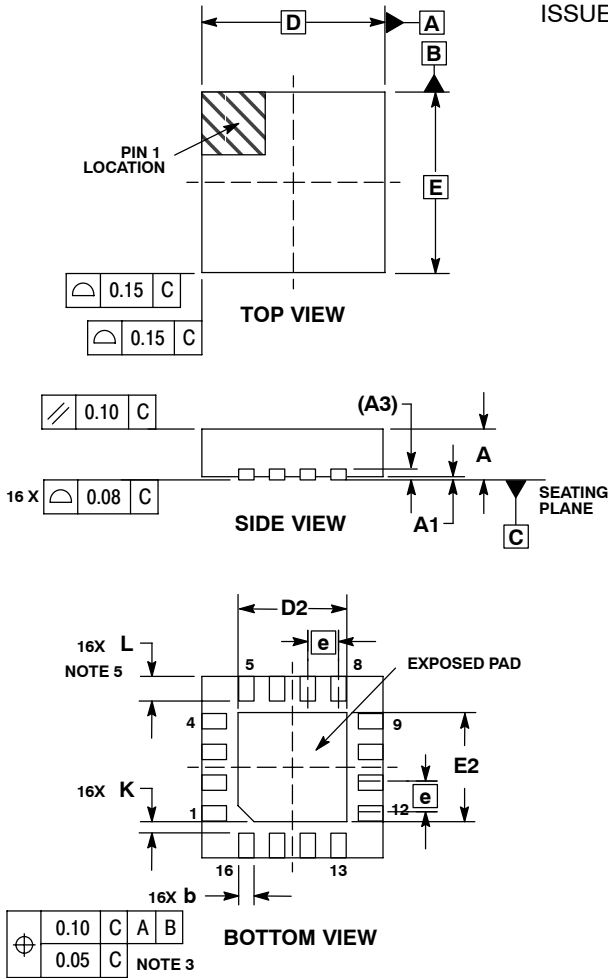
| Device | Package | Shipping† |
|--------------|-------------------------------|--------------------|
| NB6N14SMNG | QFN-16, 3 X 3 mm (Pb-Free) | 123 Units / Rail |
| NB6N14SMNR2G | QFN-16, 3 X 3 mm (Pb-Free) | 3000 / Tape & Reel |

†For information on tape and reel specifications, including part orientation and tape sizes, please refer to our Tape and Reel Packaging Specifications Brochure, BRD8011/D.

NB6N14S

PACKAGE DIMENSIONS

16 PIN QFN
CASE 485G-01
ISSUE C

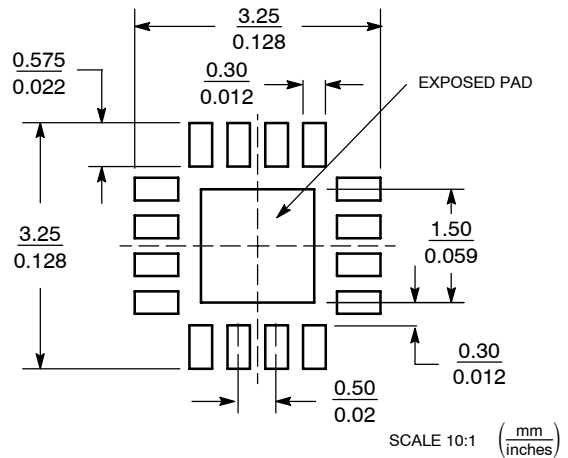


NOTES:

1. DIMENSIONING AND TOLERANCING PER ASME Y14.5M, 1994.
2. CONTROLLING DIMENSION: MILLIMETERS.
3. DIMENSION b APPLIES TO PLATED TERMINAL AND IS MEASURED BETWEEN 0.25 AND 0.30 MM FROM TERMINAL.
4. COPLANARITY APPLIES TO THE EXPOSED PAD AS WELL AS THE TERMINALS.
5. L_{max} CONDITION CAN NOT VIOLATE 0.2 MM MINIMUM SPACING BETWEEN LEAD TIP AND FLAG

| DIM | MILLIMETERS | |
|-----|-------------|------|
| | MIN | MAX |
| A | 0.80 | 1.00 |
| A1 | 0.00 | 0.05 |
| A3 | 0.20 REF | |
| b | 0.18 | 0.30 |
| D | 3.00 BSC | |
| D2 | 1.65 | 1.85 |
| E | 3.00 BSC | |
| E2 | 1.65 | 1.85 |
| e | 0.50 BSC | |
| K | 0.18 TYP | |
| L | 0.30 | 0.50 |

SOLDERING FOOTPRINT*



*For additional information on our Pb-Free strategy and soldering details, please download the ON Semiconductor Soldering and Mounting Techniques Reference Manual, SOLDERRM/D.

AnyLevel and ECLinPS MAX are trademarks of Semiconductor Components Industries, LLC (SCILLC).

ON Semiconductor and are registered trademarks of Semiconductor Components Industries, LLC (SCILLC). SCILLC reserves the right to make changes without further notice to any products herein. SCILLC makes no warranty, representation or guarantee regarding the suitability of its products for any particular purpose, nor does SCILLC assume any liability arising out of the application or use of any product or circuit, and specifically disclaims any and all liability, including without limitation special, consequential or incidental damages. "Typical" parameters which may be provided in SCILLC data sheets and/or specifications can and do vary in different applications and actual performance may vary over time. All operating parameters, including "Typicals" must be validated for each customer application by customer's technical experts. SCILLC does not convey any license under its patent rights nor the rights of others. SCILLC products are not designed, intended, or authorized for use as components in systems intended for surgical implant into the body, or other applications intended to support or sustain life, or for any other application in which the failure of the SCILLC product could create a situation where personal injury or death may occur. Should Buyer purchase or use SCILLC products for any such unintended or unauthorized application, Buyer shall indemnify and hold SCILLC and its officers, employees, subsidiaries, affiliates, and distributors harmless against all claims, costs, damages, and expenses, and reasonable attorney fees arising out of, directly or indirectly, any claim of personal injury or death associated with such unintended or unauthorized use, even if such claim alleges that SCILLC was negligent regarding the design or manufacture of the part. SCILLC is an Equal Opportunity/Affirmative Action Employer. This literature is subject to all applicable copyright laws and is not for resale in any manner.

PUBLICATION ORDERING INFORMATION

LITERATURE FULFILLMENT:
Literature Distribution Center for ON Semiconductor
P.O. Box 5163, Denver, Colorado 80217 USA
Phone: 303-675-2175 or 800-344-3860 Toll Free USA/Canada
Fax: 303-675-2176 or 800-344-3867 Toll Free USA/Canada
Email: orderlit@onsemi.com

N. American Technical Support: 800-282-9855 Toll Free USA/Canada
Europe, Middle East and Africa Technical Support:
Phone: 421 33 790 2910
Japan Customer Focus Center
Phone: 81-3-5773-3850

ON Semiconductor Website: www.onsemi.com
Order Literature: <http://www.onsemi.com/orderlit>
For additional information, please contact your local Sales Representative

Компания «Life Electronics» занимается поставками электронных компонентов импортного и отечественного производства от производителей и со складов крупных дистрибьюторов Европы, Америки и Азии.

С конца 2013 года компания активно расширяет линейку поставок компонентов по направлению коаксиальный кабель, кварцевые генераторы и конденсаторы (керамические, пленочные, электролитические), за счёт заключения дистрибьюторских договоров

Мы предлагаем:

- Конкурентоспособные цены и скидки постоянным клиентам.
- Специальные условия для постоянных клиентов.
- Подбор аналогов.
- Поставку компонентов в любых объемах, удовлетворяющих вашим потребностям.
- Приемлемые сроки поставки, возможна ускоренная поставка.
- Доставку товара в любую точку России и стран СНГ.
- Комплексную поставку.
- Работу по проектам и поставку образцов.
- Формирование склада под заказчика.
- Сертификаты соответствия на поставляемую продукцию (по желанию клиента).
- Тестирование поставляемой продукции.
- Поставку компонентов, требующих военную и космическую приемку.
- Входной контроль качества.
- Наличие сертификата ISO.

В составе нашей компании организован Конструкторский отдел, призванный помогать разработчикам, и инженерам.

Конструкторский отдел помогает осуществить:

- Регистрацию проекта у производителя компонентов.
- Техническую поддержку проекта.
- Защиту от снятия компонента с производства.
- Оценку стоимости проекта по компонентам.
- Изготовление тестовой платы монтаж и пусконаладочные работы.



Тел: +7 (812) 336 43 04 (многоканальный)

Email: org@lifeelectronics.ru