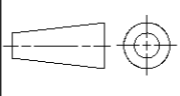


THIS DRAWING IS UNPUBLISHED. RELEASED FOR PUBLICATION 2001  
 BY TYCO ELECTRONICS CORPORATION. ALL RIGHTS RESERVED.

REVISIONS				
P	LTR	DESCRIPTION	DATE	APVD
	CI	RE-ACTIVATED PARTS	17 MAY 06	RF GT

NOTES	MATERIAL	DESCRIPTION	SUPERSEDED BY P/N	TE AMP P/N		
-	-	PANEL MOUNT RECEPTACLE ASS'Y FOR SOCKET CONTACT	0-182920-1	7-1437723-6		
SEE SHEET 5	MATERIAL: GLASSFIBER FILLED THERMOPLASTIC UL 94-V1 COLOUR: BLACK	PANEL MOUNT RECEPTACLE ASS'Y FOR PIN CONTACT	-	7-1437723-4		
-			0-182641-1	4-1437723-0		
-			0-211769-1	3-1437723-8		
-			0-182921-1	0-1437723-9		
-			0-182918-1	7-1437723-2		
-			0-183075-1	7-1437723-0		
-			0-183040-1	3-1437723-6		
-			0-211767-1	0-1437820-7		
-			0-182917-1	0-1437723-7		
SEE SHEET 4			MATERIAL: GLASSFIBER FILLED THERMOPLASTIC UL 94-V1 COLOUR: BLACK	RECEPTACLE ASS'Y FOR SOCKET CONTACT	0-206306-2	6-1437723-9
-	-	6-1437723-8				
-	0-206043-3	3-1437723-4				
-	0-211769-3	3-1437723-3				
-	0-183083-1	0-1437723-6				
SEE SHEET 4	RECEPTACLE ASS'Y FOR PIN CONTACT	0-206151-2			0-1437820-5	
SEE SHEET 4		0-206838-2			6-1437723-7	
-		-			3-1437723-2	
-		-			3-1437723-1	
-		0-182919-1			0-1437723-5	
-		0-183046-1	6-1437718-0			
-		0-183047-1	6-1437718-0			
SEE SHEET 3		MATERIAL: GLASSFIBER FILLED THERMOPLASTIC UL 94-V1 COLOUR: BLACK	PLUG ASS'Y FOR PIN CONTACT	0-182926-1	6-1437723-1	
-				-	5-1437723-9	
-				0-182649-1	2-1437723-5	
-	0-211768-1			2-1437723-3		
-	0-182651-1			0-1437723-1		
-	0-182923-1			6-1437723-5		
-	0-183073-1			6-1437723-3		
-	0-183039-1			2-1437723-9		
-	0-211766-1			2-1437723-7		
-	0-182647-1			0-1437723-3		
-	SEE RELEVANT DRAWINGS	PLUG ASS'Y FOR SOCKET CONTACT	0-054012-1	9-1437723-2		
-	SEE RELEVANT DRAWINGS		0-054011-1	4-1437723-3		
-	SEE RELEVANT DRAWINGS		0-054010-1	0-1437820-8		
-	SEE RELEVANT DRAWINGS		0-081665-5	1-1437727-5		
-	SEE RELEVANT DRAWINGS		0-081665-2	7-1437726-0		
-	SEE RELEVANT DRAWINGS		0-081665-3	2-1437726-9		
-	SEE RELEVANT DRAWINGS		0-206403-3	8-1437723-5		
-	SEE RELEVANT DRAWINGS		0-206403-2	5-1437723-2		
-	SEE RELEVANT DRAWINGS		0-206403-1	1-1437723-7		
-	SEE RELEVANT DRAWINGS		0-208680-1	9-1437723-6		
SEE SHEET 2	MATERIAL: GLASSFIBER FILLED THERMOPLASTIC UL 94-V1 COLOUR: BLACK	SEALING CUP (RECEPTACLE)	0-208652-1	9-1437723-1		
-			0-208800-1	1-1437723-2		
-			-	9-1437723-7		
-			0-183041-1	9-1437723-8		
-			0-183042-1	1-1437723-1		
SEE SHEET 2			MATERIAL: GLASSFIBER FILLED THERMOPLASTIC UL 94-V1 COLOUR: BLACK	SEALING CAP (PLUG)	-	8-1437723-2
-					-	7-1437723-9
-					-	4-1437723-7
-					-	4-1437723-4
-					-	1-1437723-4
-	SEE RELEVANT DRAWINGS	BACKSHELL PG THREAD			0-182930-1	8-1437723-6
-	SEE RELEVANT DRAWINGS				0-182652-1	8-1437723-8
-	SEE RELEVANT DRAWINGS				0-182661-1	5-1437723-6
-	SEE RELEVANT DRAWINGS				0-182655-1	5-1437723-3
-	SEE RELEVANT DRAWINGS				0-182928-1	2-1437723-0
-	SEE RELEVANT DRAWINGS		0-182658-1	1-1437723-8		
-	SEE RELEVANT DRAWINGS		BACKSHELL CABLE CLAMP	0-182930-1	8-1437723-6	
-	SEE RELEVANT DRAWINGS			0-182652-1	8-1437723-8	
-	SEE RELEVANT DRAWINGS			0-182661-1	5-1437723-6	
-	SEE RELEVANT DRAWINGS			0-182655-1	5-1437723-3	
-	SEE RELEVANT DRAWINGS	0-182928-1		2-1437723-0		
-	SEE RELEVANT DRAWINGS	0-182658-1		1-1437723-8		

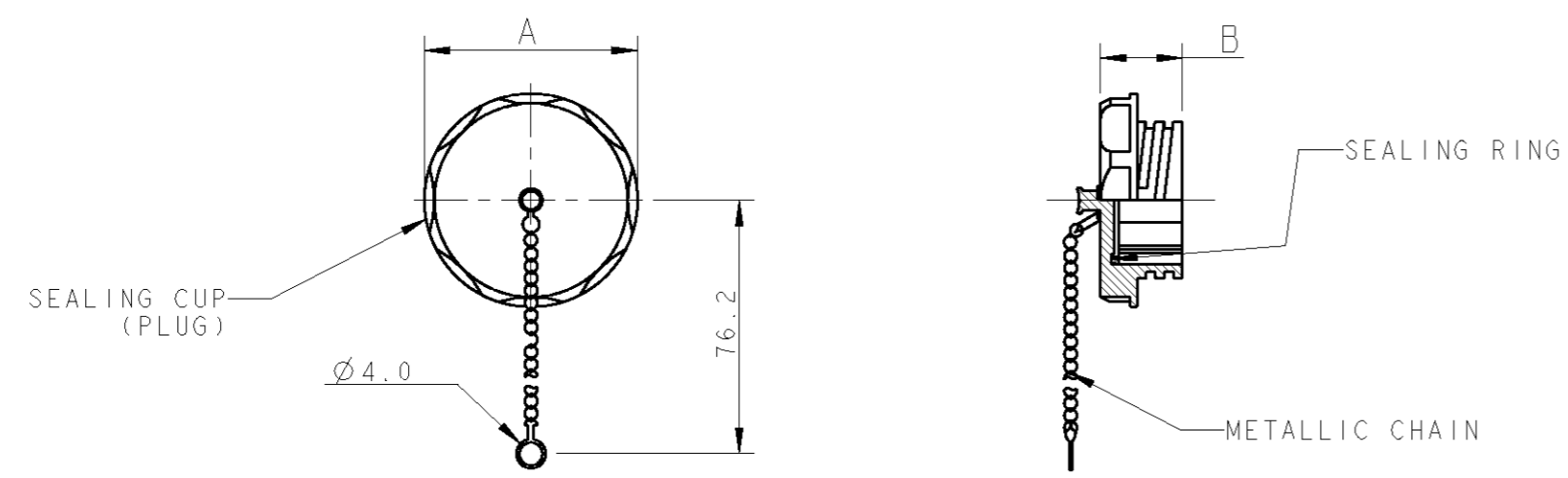
⚠ PARTS SUPERSEDED BY: CPC Series I  
SEE P/NS FOR REFERENCE

<small>THIS DRAWING IS A CONTROLLED DOCUMENT FOR TYCO ELECTRONICS CORPORATION IT IS SUBJECT TO CHANGE AND THE CONTROLLING ENGINEERING ORGANIZATION SHOULD BE CONTACTED FOR THE LATEST REVISION.</small>		DWN 21SEP2001 R. FABRIS CHK - C. TARTARI APVD -	<b>tyco</b> <b>Electronics</b> AMP Italia S.p.A. C.so F.lli Cervi, 15 COLLEGNO (TO)
DIMENSIONS: mm 	TOLERANCES UNLESS OTHERWISE SPECIFIED: 0 PLC ± 1 PLC ±0.3 2 PLC ± 3 PLC ± 4 PLC ± ANGLES ±° FINISH -	NAME CIRCULAR PLASTIC CONNECTOR T10 SERIES PLUGS, RECEPTACLES, ACCESSORIES SIZE A2 CAGE CODE 00779 DRAWING NO. G-1437723 RESTRICTED TO -	CUSTOMER DRAWING SCALE - SHEET 1 OF 5 REV C1

THIS DRAWING IS UNPUBLISHED. RELEASED FOR PUBLICATION 2001  
 © COPYRIGHT 2001 BY TYCO ELECTRONICS CORPORATION. ALL RIGHTS RESERVED.

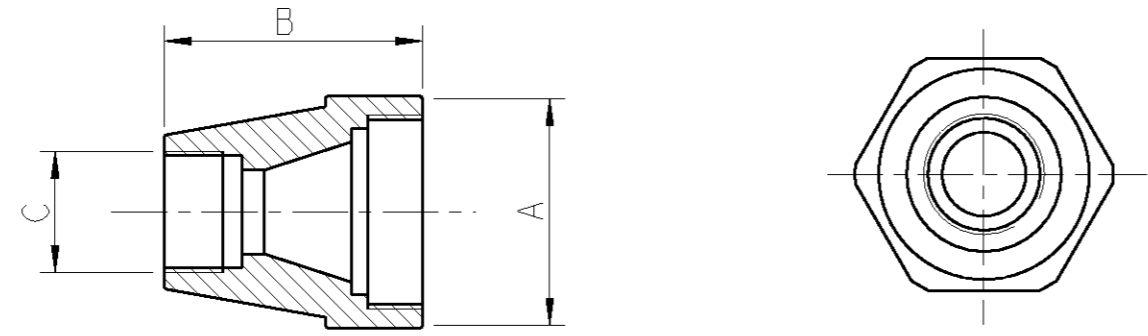
LOC		DIST		REVISIONS			
P	LTR	DATE	DWN	APVD			
-	-	-	-	-	SEE SHEET 1		

SEALING CAP, PLUG



-	-	17.3	44.2	23	SEALING CAP, PLUG	9-1437723-7	A
---	---	------	------	----	-------------------	-------------	---

BACKSHELL WITH PG THREAD



-	PG21	43.0	40.0	23	BACKSHELL WITH PG THREAD	8-1437723-2	A
-	PG16	43.0	40.0		BACKSHELL WITH PG THREAD	7-1437723-9	A
-	PG13.5	43.0	30.0	17	BACKSHELL WITH PG THREAD	4-1437723-7	A
-	PG11	43.0	30.0		BACKSHELL WITH PG THREAD	4-1437723-4	A
-	PG9	43.0	21.5		BACKSHELL WITH PG THREAD	1-1437723-4	A

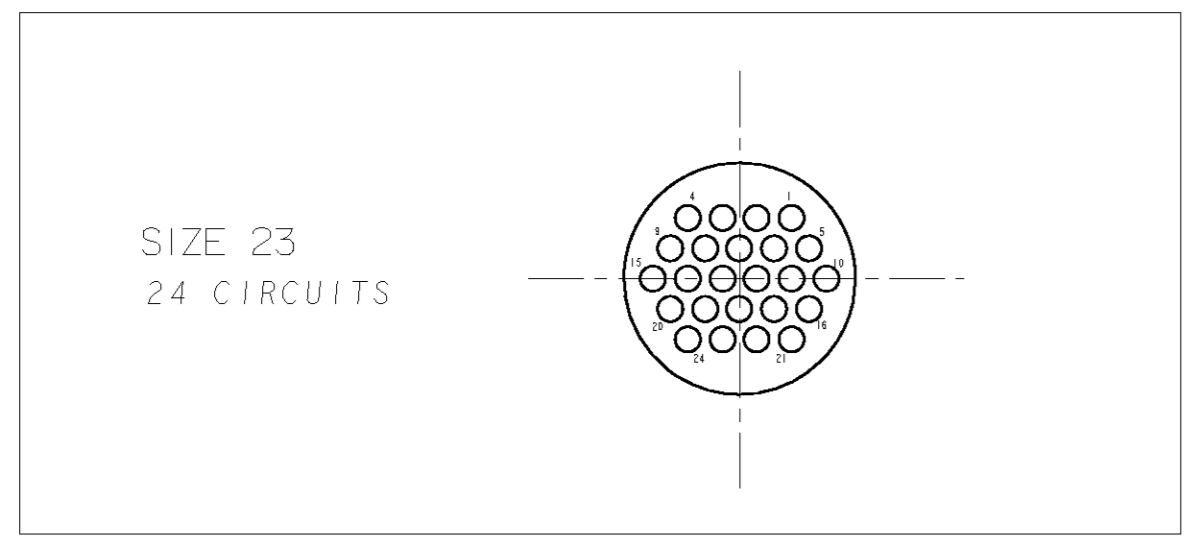
CABLE Ø RANGE	C	B	A	SIZE	DESCRIPTION	TE AMP P/N	REV
---------------	---	---	---	------	-------------	------------	-----

<small>THIS DRAWING IS A CONTROLLED DOCUMENT FOR TYCO ELECTRONICS CORPORATION. IT IS SUBJECT TO CHANGE AND THE CONTROLLING ENGINEERING ORGANIZATION SHOULD BE CONTACTED FOR THE LATEST REVISION.</small>		DWN R. FABRIS 21SEP2001 CHK C. TARTARI APVD -	<b>tyco</b> <b>Electronics</b> AMP Italia S.p.A. C.so F.lli Cervi, 15 COLLENO (TO)
DIMENSIONS: mm 	TOLERANCES UNLESS OTHERWISE SPECIFIED: 0 PLC ± 1 PLC ±0.3 2 PLC ± 3 PLC ± 4 PLC ± ANGLES ±° FINISH -	PRODUCT SPEC - APPLICATION SPEC - WEIGHT -	NAME: CIRCULAR PLASTIC CONNECTOR T10 SERIES ACCESSORIES SIZE: A2 CAGE CODE: 00779 DRAWING NO: 1437723 RESTRICTED TO: -
MATERIAL: -		CUSTOMER DRAWING	
SCALE: -		SHEET 2 OF 5 REV C1	

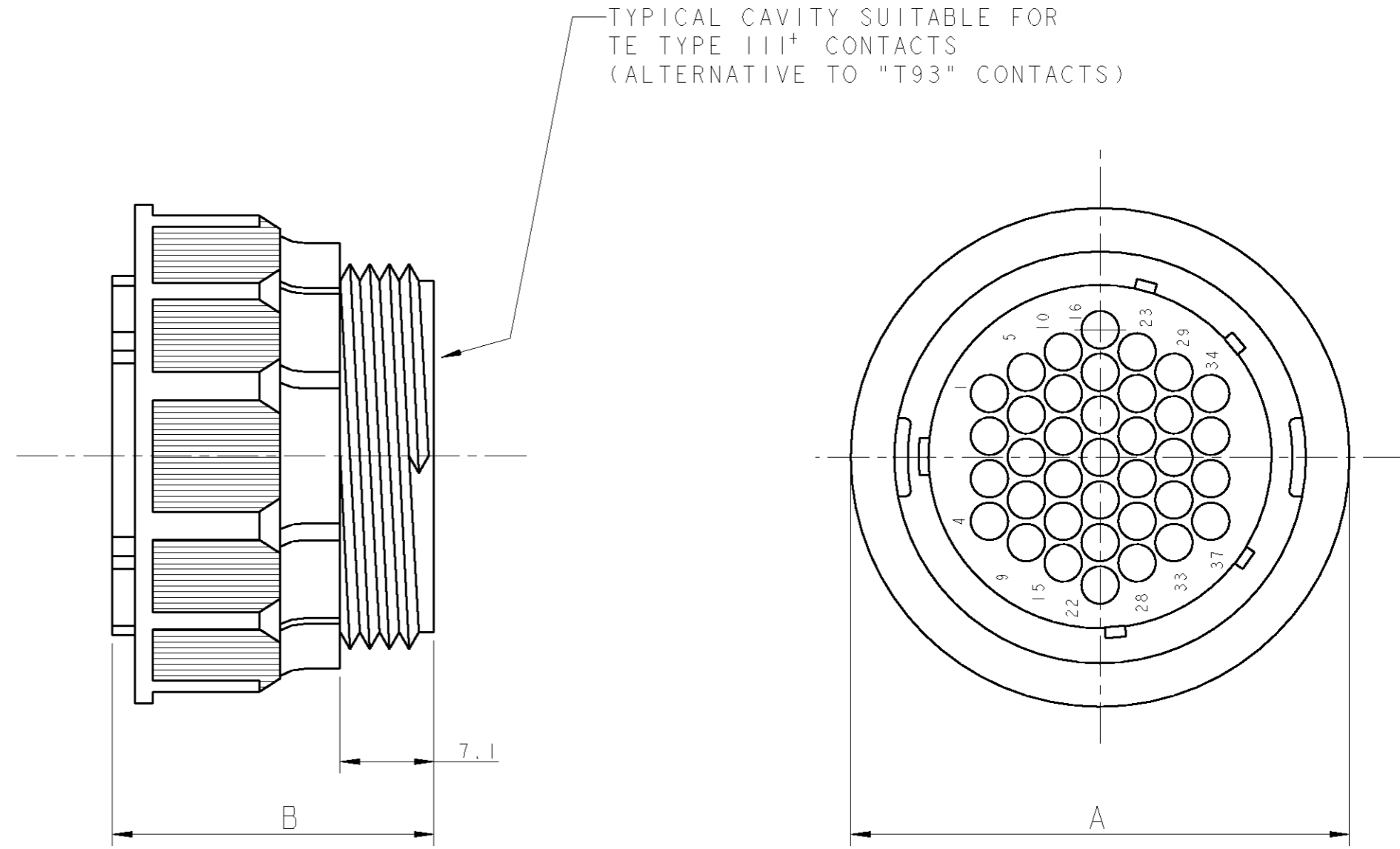
THIS DRAWING IS UNPUBLISHED. RELEASED FOR PUBLICATION 2001  
 © COPYRIGHT 2001 BY TYCO ELECTRONICS CORPORATION. ALL RIGHTS RESERVED.

LOC	DIST	REVISIONS			
P	LTR	DESCRIPTION	DATE	DWN	APVD
-	-	SEE SHEET 1	-	-	-

CIRCUIT LAYOUT (View from "X")



"X" →



0-183047-1	3.6	34.0	44.5	24	23	PLUG ASS'Y FOR PIN CONTACT	5-1437723-9	A
KEYING PLUG (FOR REF. ONLY)	Ø MAX ALLOWABLE WIRE INS.	B	A	No. OF CIRCUITS	SIZE	DESCRIPTION	TE AMP P/N	REV

THIS DRAWING IS A CONTROLLED DOCUMENT FOR TYCO ELECTRONICS CORPORATION. IT IS SUBJECT TO CHANGE AND THE CONTROLLING ENGINEERING ORGANIZATION SHOULD BE CONTACTED FOR THE LATEST REVISION.

DWN: R. FABRIS 21SEP2001  
 CHK: C. TARTARI  
 APVD: -

tyco Electronics  
 AMP Italia S.p.A.  
 C.so F.lli Cervi, 15 COLLEGGNO (TO)

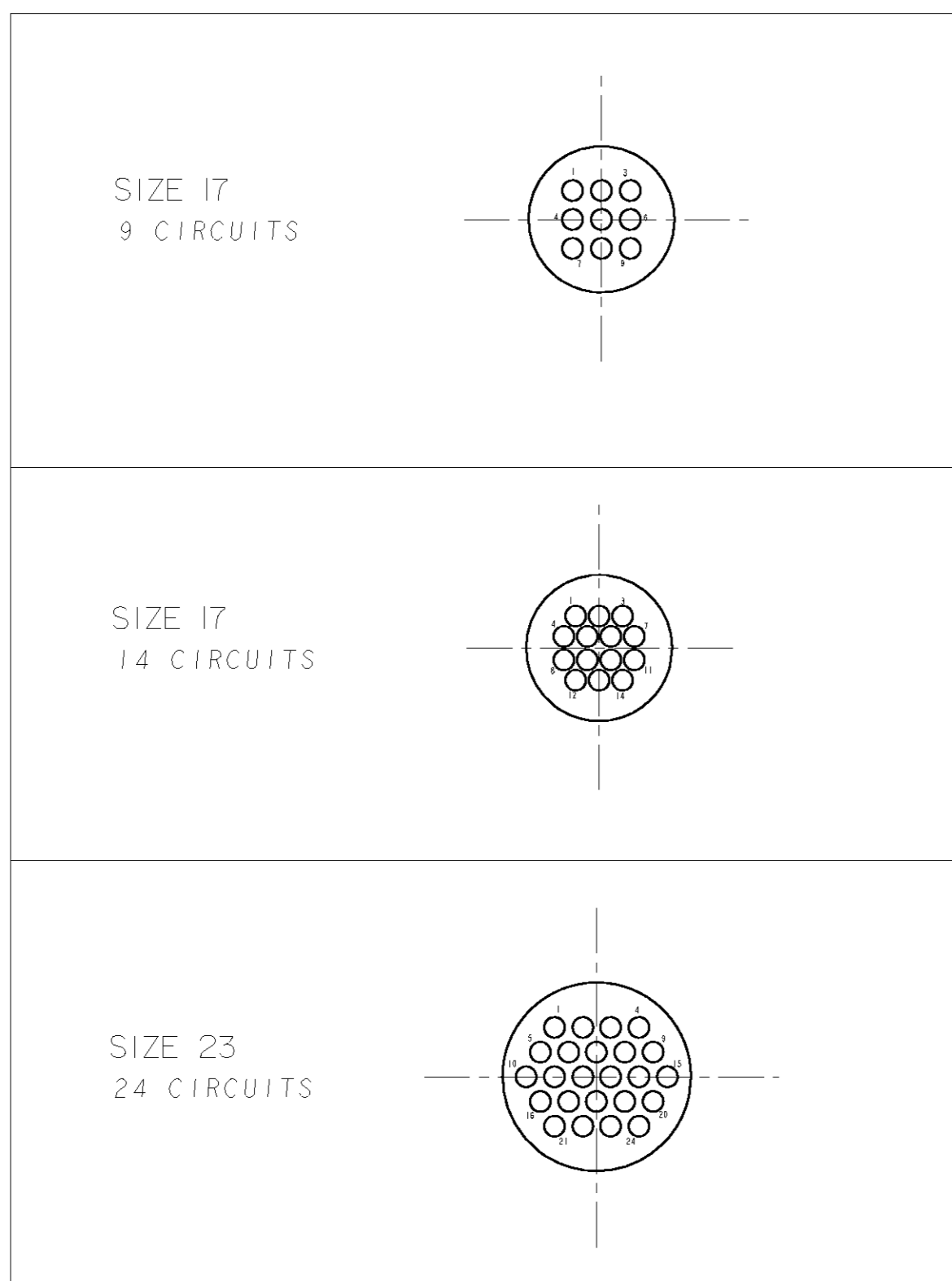
CIRCULAR PLASTIC CONNECTOR  
 T10 SERIES  
 PLUG ASS'Y

SIZE: A2 CAGE CODE: 00779 DRAWING NO: 1437723 RESTRICTED TO: -  
 MATERIAL: - FINISH: - WEIGHT: -  
 CUSTOMER DRAWING SCALE: - SHEET 3 OF 5 REV: C1

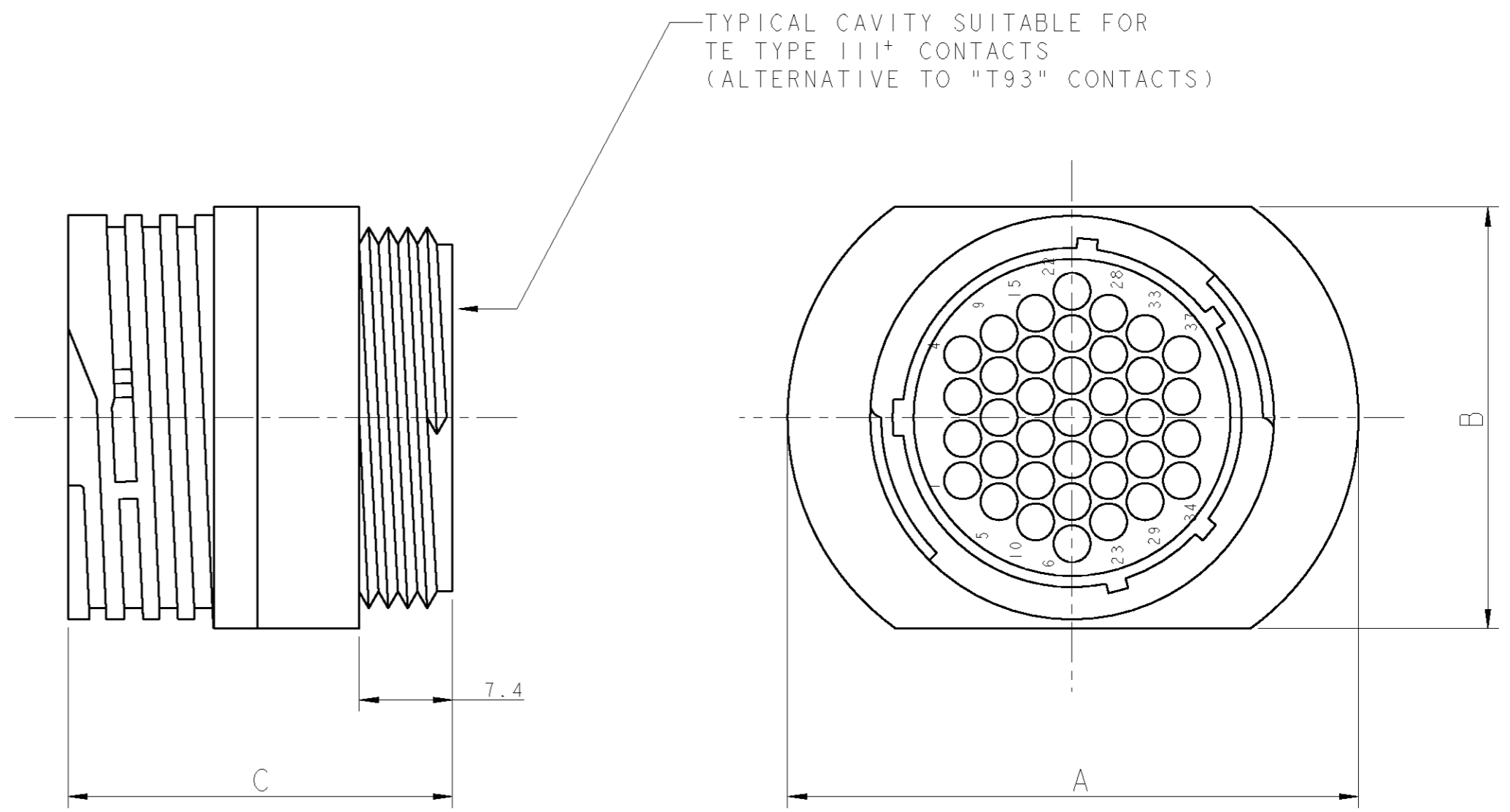
THIS DRAWING IS UNPUBLISHED. RELEASED FOR PUBLICATION 2001  
 © COPYRIGHT 2001 BY TYCO ELECTRONICS CORPORATION. ALL RIGHTS RESERVED.

LOC	DIST	REVISIONS			
P	LTR	DESCRIPTION	DATE	DWN	APVD
-	-	SEE SHEET 1	-	-	-

CIRCUIT LAYOUT (View from "X")



"X" →



0-183046-1	3.6	26.9	37.8	43.9	24	23	RECEPTACLE ASS'Y FOR SOCKET CONTACT	6-1437723-8	A
0-183047-1	2.8	33.8	29.5	33.3	14	17	RECEPTACLE ASS'Y FOR PIN CONTACT	3-1437723-2	A
	3.6	33.8	29.5	33.3	9	17	RECEPTACLE ASS'Y FOR PIN CONTACT	3-1437723-1	A
KEYING PLUG (FOR REF. ONLY)	Ø MAX ALLOWABLE WIRE INS.	C	B	A	No. OF CIRCUITS	SIZE	DESCRIPTION	TE AMP P/N	REV

THIS DRAWING IS A CONTROLLED DOCUMENT FOR TYCO ELECTRONICS CORPORATION. IT IS SUBJECT TO CHANGE AND THE CONTROLLING ENGINEERING ORGANIZATION SHOULD BE CONTACTED FOR THE LATEST REVISION.

DWN: R. FABRIS 21SEP2001  
 CHK: C. TARTARI  
 APVD: -

**tyco Electronics** AMP Italia S.p.A.  
 C.so F.lli Cervi, 15 COLLENO (TO)

NAME: CIRCULAR PLASTIC CONNECTOR T10 SERIES RECEPTACLE ASS'Y

SIZE: A2 CAGE CODE: 00779 DRAWING NO: 1437723 RESTRICTED TO: -

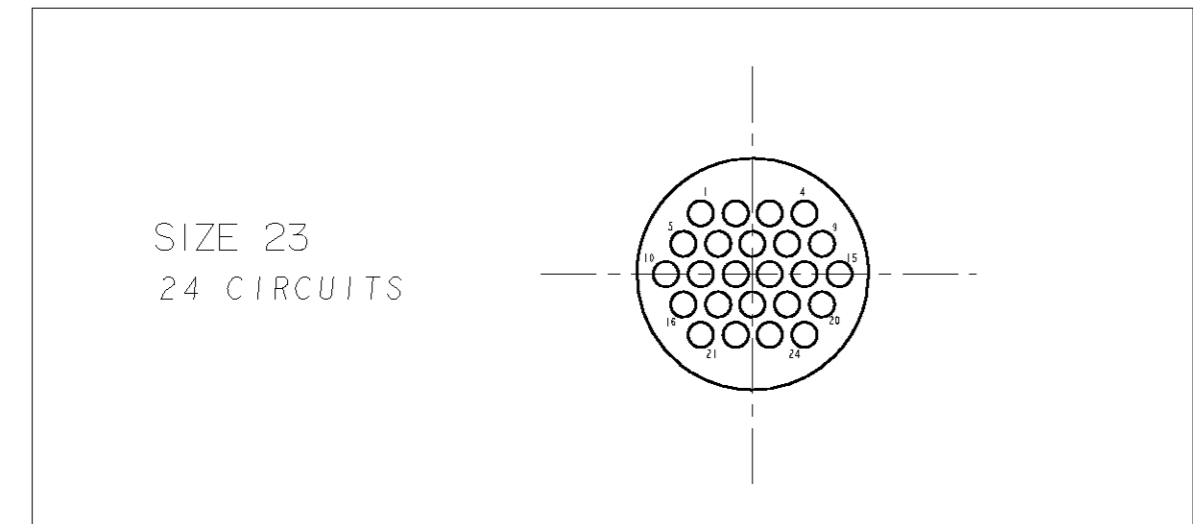
MATERIAL: - FINISH: - WEIGHT: -

CUSTOMER DRAWING SCALE: - SHEET 4 OF 5 REV: C1

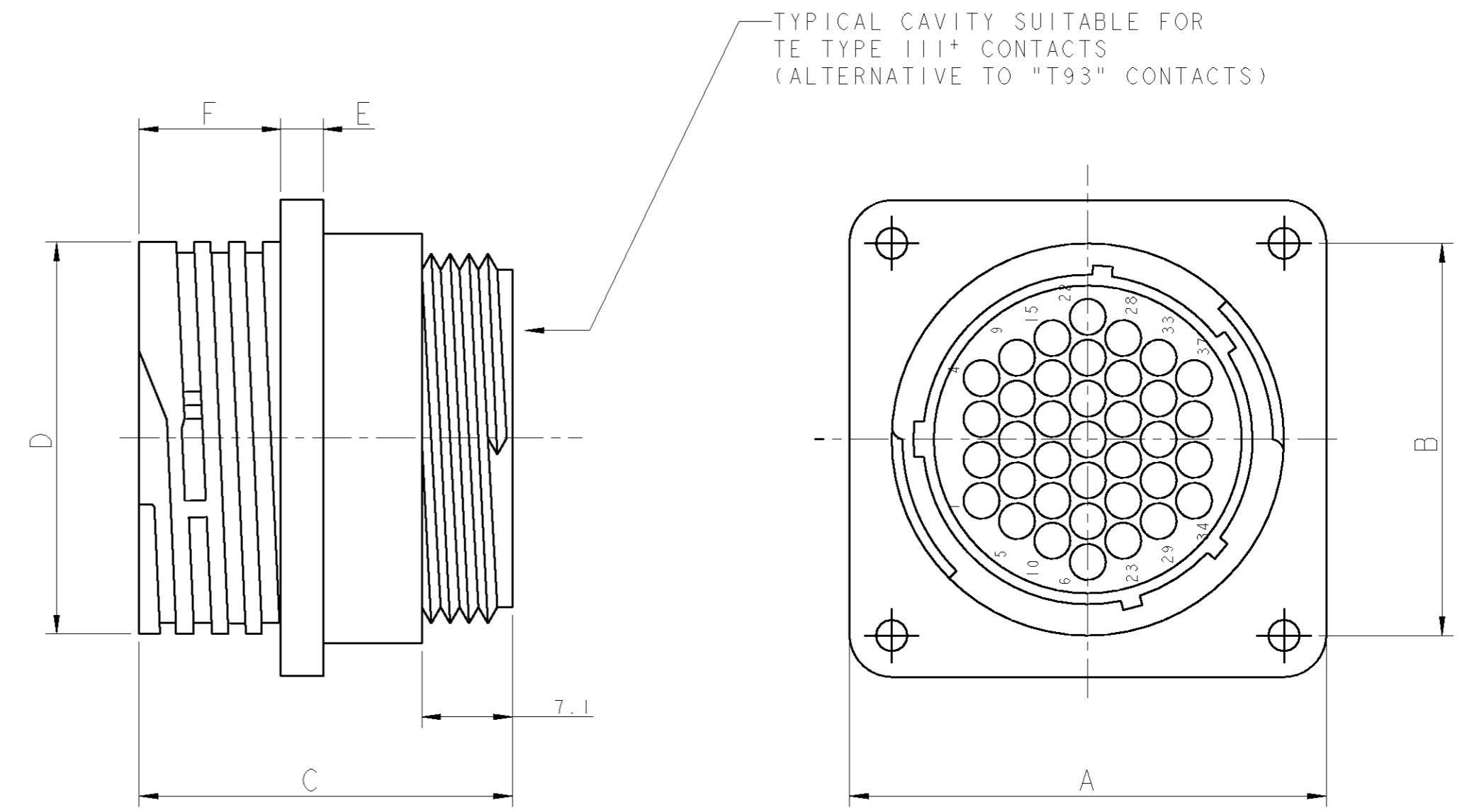
THIS DRAWING IS UNPUBLISHED. RELEASED FOR PUBLICATION 2001  
 © COPYRIGHT 2001 BY TYCO ELECTRONICS CORPORATION. ALL RIGHTS RESERVED.

LOC		DIST		REVISIONS			
P	LTR	DESCRIPTION	DATE	DWN	APVD		
-	-	SEE SHEET 1	-	-	-		

CIRCUIT LAYOUT (View from "X")



"X" →



0-183046-1	3.6	13.5	4.1	36.3	26.9	36.6	44.5	38.6	24	23	PANEL MOUNT RECEPTACLE ASS'Y FOR SOCKET CONTACT	7-1437723-4	A
KEYING PLUG (FOR REF. ONLY)	Ø MAX ALLOWABLE WIRE INS.	F	E	D	C	B	A	PANEL CUT OUT Ø	No. OF CIRCUITS	SIZE	DESCRIPTION	TE AMP P/N	REV

THIS DRAWING IS A CONTROLLED DOCUMENT FOR TYCO ELECTRONICS CORPORATION. IT IS SUBJECT TO CHANGE AND THE CONTROLLING ENGINEERING ORGANIZATION SHOULD BE CONTACTED FOR THE LATEST REVISION.

DWN: R. FABRIS 21SEP2001  
 CHK: C. TARTARI  
 APVD: -

**tyco Electronics** AMP Italia S.p.A. C.so F.lli Cervi, 15 COLLEGO (TO)

NAME: CIRCULAR PLASTIC CONNECTOR T10 SERIES PANEL MOUNT RECEPTACLE ASS'Y

SIZE: A2 CAGE CODE: 00779 DRAWING NO: 1437723 RESTRICTED TO: -

CUSTOMER DRAWING SCALE: - SHEET 5 OF 5 REV: C1

Компания «Life Electronics» занимается поставками электронных компонентов импортного и отечественного производства от производителей и со складов крупных дистрибьюторов Европы, Америки и Азии.

С конца 2013 года компания активно расширяет линейку поставок компонентов по направлению коаксиальный кабель, кварцевые генераторы и конденсаторы (керамические, пленочные, электролитические), за счёт заключения дистрибьюторских договоров

Мы предлагаем:

- Конкурентоспособные цены и скидки постоянным клиентам.
- Специальные условия для постоянных клиентов.
- Подбор аналогов.
- Поставку компонентов в любых объемах, удовлетворяющих вашим потребностям.
- Приемлемые сроки поставки, возможна ускоренная поставка.
- Доставку товара в любую точку России и стран СНГ.
- Комплексную поставку.
- Работу по проектам и поставку образцов.
- Формирование склада под заказчика.
- Сертификаты соответствия на поставляемую продукцию (по желанию клиента).
- Тестирование поставляемой продукции.
- Поставку компонентов, требующих военную и космическую приемку.
- Входной контроль качества.
- Наличие сертификата ISO.

В составе нашей компании организован Конструкторский отдел, призванный помогать разработчикам, и инженерам.

Конструкторский отдел помогает осуществить:

- Регистрацию проекта у производителя компонентов.
- Техническую поддержку проекта.
- Защиту от снятия компонента с производства.
- Оценку стоимости проекта по компонентам.
- Изготовление тестовой платы монтаж и пусконаладочные работы.



Тел: +7 (812) 336 43 04 (многоканальный)  
Email: [org@lifeelectronics.ru](mailto:org@lifeelectronics.ru)