

Description

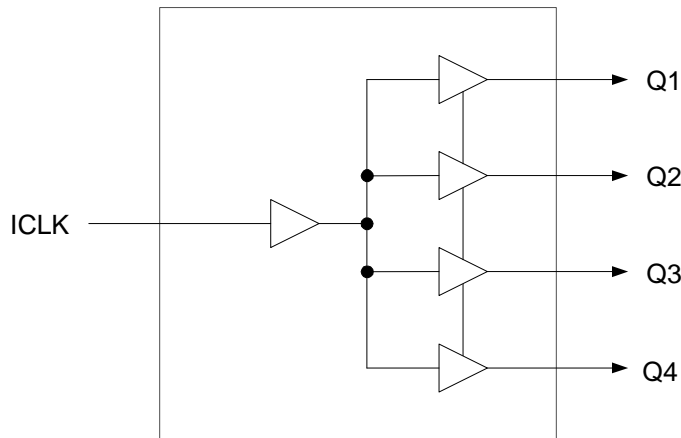
The 74FCT38074S is a low skew, single input to four output, clock buffer. The 74FCT38074S has best in class additive phase Jitter of sub 50 fsec.

IDT makes many non-PLL and PLL based low skew output devices as well as Zero Delay Buffers to synchronize clocks. Contact us for all of your clocking needs.

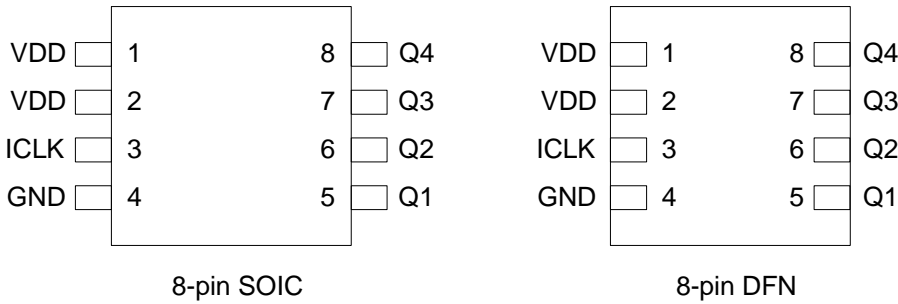
Features

- Low additive phase jitter RMS: 50fs
- Extremely low skew outputs (50ps)
- Low cost clock buffer
- Packaged in 8-pin SOIC and 8-pin DFN, Pb-free
- Input/Output clock frequency up to 200 MHz
- Low power CMOS technology
- Operating voltages of 1.8V to 3.3V
- Extended temperature range (-40° to +105°C)

Block Diagram



Pin Assignments



Pin Descriptions

| Pin Number | Pin Name | Pin Type | Pin Description |
|------------|----------|----------|--------------------------------------|
| 1 | VDD | Power | Connect to +1.8V, +2.5 V, or +3.3 V. |
| 2 | VDD | Power | Connect to +1.8V, +2.5 V, or +3.3 V. |
| 3 | ICLK | Input | Clock input. |
| 4 | GND | Power | Connect to ground. |
| 5 | Q1 | Output | Clock output 1. |
| 6 | Q2 | Output | Clock Output 2. |
| 7 | Q3 | Output | Clock Output 3. |
| 8 | Q4 | Output | Clock Output 4. |

External Components

A minimum number of external components are required for proper operation. A decoupling capacitor of 0.01 μ F should be connected between VDD on pins 1 and 2, and GND on pin 4, as close to the device as possible. A 33 Ω series terminating resistor may be used on each clock output if the trace is longer than 1 inch.

To achieve the low output skew that the 74FCT38074S is capable of, careful attention must be paid to board layout. Essentially, all four outputs must have identical terminations, identical loads and identical trace geometries. If they do not, the output skew will be degraded. For example, using a 30 Ω series termination on one output (with 33 Ω on the others) will cause at least 15 ps of skew.

Absolute Maximum Ratings

Stresses above the ratings listed below can cause permanent damage to the 74FCT38074S. These ratings, which are standard values for IDT commercially rated parts, are stress ratings only. Functional operation of the device at these or any other conditions above those indicated in the operational sections of the specifications is not implied. Exposure to absolute maximum rating conditions for extended periods can affect product reliability. Electrical parameters are guaranteed only over the recommended operating temperature range.

| Item | Rating |
|--|---------------------|
| Supply Voltage, VDD | 3.465V |
| Outputs | -0.5 V to VDD+0.5 V |
| ICLK | 3.465V |
| Ambient Operating Temperature (extended) | -40° to +105°C |
| Storage Temperature | -65° to +150°C |
| Junction Temperature | 125°C |
| Soldering Temperature | 260°C |

Recommended Operation Conditions

| Parameter | Min. | Typ. | Max. | Units |
|---|-------|------|--------|-------|
| Ambient Operating Temperature (extended) | -40 | | +105 | °C |
| Power Supply Voltage (measured in respect to GND) | +1.71 | | +3.465 | V |

DC Electrical Characteristics

(VDD = 1.8V, 2.5V, 3.3V)

VDD=1.8V ±5% , Ambient temperature -40° to +105°C, unless stated otherwise

| Parameter | Symbol | Conditions | Min. | Typ. | Max. | Units |
|--------------------------|-----------------|--------------------------|---------|------|---------|-------|
| Operating Voltage | VDD | | 1.71 | | 1.89 | V |
| Input High Voltage, ICLK | V _{IH} | Note 1 | 0.7xVDD | | VDD | V |
| Input Low Voltage, ICLK | V _{IL} | Note 1 | | | 0.3xVDD | V |
| Output High Voltage | V _{OH} | I _{OH} = -10 mA | 1.3 | | | V |
| Output Low Voltage | V _{OL} | I _{OL} = 10 mA | | | 0.35 | V |
| Operating Supply Current | IDD | No load, 135 MHz | | 13 | | mA |
| Nominal Output Impedance | Z _O | | | 17 | | Ω |
| Input Capacitance | C _{IN} | ICLK | | 5 | | pF |

Notes: 1. Nominal switching threshold is VDD/2

VDD=2.5 V ±5%, Ambient temperature -40° to +105°C, unless stated otherwise

| Parameter | Symbol | Conditions | Min. | Typ. | Max. | Units |
|--------------------------|-----------------|--------------------------|---------|------|---------|-------|
| Operating Voltage | VDD | | 2.375 | | 2.625 | V |
| Input High Voltage, ICLK | V _{IH} | Note 1 | 0.7xVDD | | VDD | V |
| Input Low Voltage, ICLK | V _{IL} | Note 1 | | | 0.3xVDD | V |
| Output High Voltage | V _{OH} | I _{OH} = -16 mA | 1.8 | | | V |
| Output Low Voltage | V _{OL} | I _{OL} = 16 mA | | | 0.5 | V |
| Operating Supply Current | IDD | No load, 135 MHz | | 18 | | mA |
| Nominal Output Impedance | Z _O | | | 17 | | Ω |
| Input Capacitance | C _{IN} | ICLK | | 5 | | pF |

VDD=3.3 V ±5% , Ambient temperature -40° to +105°C, unless stated otherwise

| Parameter | Symbol | Conditions | Min. | Typ. | Max. | Units |
|--------------------------|-----------------|--------------------------|---------|------|---------|-------|
| Operating Voltage | VDD | | 3.15 | | 3.45 | V |
| Input High Voltage, ICLK | V _{IH} | Note 1 | 0.7xVDD | | VDD | V |
| Input Low Voltage, ICLK | V _{IL} | Note 1 | | | 0.3xVDD | V |
| Output High Voltage | V _{OH} | I _{OH} = -25 mA | 2.2 | | | V |
| Output Low Voltage | V _{OL} | I _{OL} = 25 mA | | | 0.7 | V |
| Operating Supply Current | IDD | No load, 135 MHz | | 22 | | mA |
| Nominal Output Impedance | Z _O | | | 17 | | Ω |
| Input Capacitance | C _{IN} | ICLK | | 5 | | pF |

AC Electrical Characteristics

(VDD = 1.8V, 2.5V, 3.3V)

VDD = 1.8V ±5%, Ambient Temperature -40° to +105°C, unless stated otherwise

| Parameter | Symbol | Conditions | Min. | Typ. | Max. | Units |
|-----------------------------------|-----------------------|--|------|------|------|-------|
| Input Frequency | | | 0 | | 200 | MHz |
| Output Rise Time | t _{OR} | 0.36 to 1.44 V, C _L =5 pF | | 0.6 | 1.0 | ns |
| Output Fall Time | t _{OF} | 1.44 to 0.36 V, C _L =5 pF | | 0.6 | 1.0 | ns |
| Start-up Time | t _{START-UP} | Part start-up time for valid outputs after VDD ramp-up | | | 2 | ms |
| Propagation Delay | | Note 1 | 1.5 | 2.5 | 4 | ns |
| Buffer Additive Phase Jitter, RMS | | 125MHz, Integration Range: 12kHz-20MHz | | | 0.05 | ps |
| Output to Output Skew | | Rising edges at VDD/2, Note 2 | | 50 | 65 | ps |
| Device to Device Skew | | Rising edges at VDD/2 | | | 200 | ps |

VDD = 2.5 V ±5%, Ambient Temperature -40° to +105°C, unless stated otherwise

| Parameter | Symbol | Conditions | Min. | Typ. | Max. | Units |
|-----------------------------------|-----------------------|--|------|------|------|-------|
| Input Frequency | | | 0 | | 200 | MHz |
| Output Rise Time | t _{OR} | 0.5 to 2.0 V, C _L =5 pF | | 0.6 | 1.0 | ns |
| Output Fall Time | t _{OF} | 2.0 to 0.5 V, C _L =5 pF | | 0.6 | 1.0 | ns |
| Start-up Time | t _{START-UP} | Part start-up time for valid outputs after VDD ramp-up | | | 2 | ms |
| Propagation Delay | | Note 1 | 1.8 | 2.5 | 4.5 | ns |
| Buffer Additive Phase Jitter, RMS | | 125MHz, Integration Range: 12kHz-20MHz | | | 0.05 | ps |
| Output to Output Skew | | Rising edges at VDD/2, Note 2 | | 50 | 65 | ps |
| Device to Device Skew | | Rising edges at VDD/2 | | | 200 | ps |

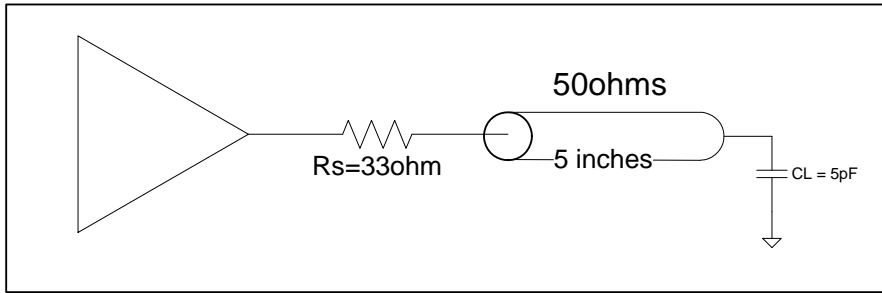
VDD = 3.3 V ±5%, Ambient Temperature -40° to +105°C, unless stated otherwise

| Parameter | Symbol | Conditions | Min. | Typ. | Max. | Units |
|-----------------------------------|-----------------------|--|------|------|------|-------|
| Input Frequency | | | 0 | | 200 | MHz |
| Output Rise Time | t _{OR} | 0.66 to 2.64 V, C _L =5 pF | | 0.6 | 1.0 | ns |
| Output Fall Time | t _{OF} | 2.64 to 0.66 V, C _L =5 pF | | 0.6 | 1.0 | ns |
| Start-up Time | t _{START-UP} | Part start-up time for valid outputs after VDD ramp-up | | | 2 | ms |
| Propagation Delay | | Note 1 | 1.5 | 2.5 | 4 | ns |
| Buffer Additive Phase Jitter, RMS | | 125MHz, Integration Range: 12kHz-20MHz | | | 0.05 | ps |
| Output to Output Skew | | Rising edges at VDD/2, Note 2 | | 50 | 65 | ps |
| Device to Device Skew | | Rising edges at VDD/2 | | | 200 | ps |

Notes:

1. With rail to rail input clock
2. Between any 2 outputs with equal loading.
3. Duty cycle on outputs will match incoming clock duty cycle. Consult IDT for tight duty cycle clock generators.

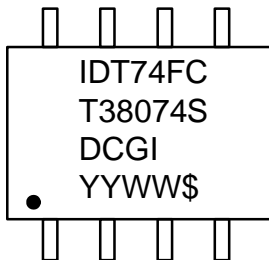
Test Load and Circuit



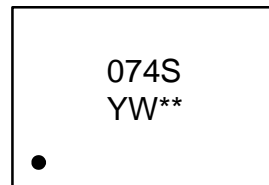
Thermal Characteristics (8SOIC)

| Parameter | Symbol | Conditions | Min. | Typ. | Max. | Units |
|--|---------------|----------------|------|------|------|-----------------------------|
| Thermal Resistance Junction to Ambient | θ_{JA} | Still air | | 150 | | $^{\circ}\text{C}/\text{W}$ |
| | θ_{JA} | 1 m/s air flow | | 140 | | $^{\circ}\text{C}/\text{W}$ |
| | θ_{JA} | 3 m/s air flow | | 120 | | $^{\circ}\text{C}/\text{W}$ |
| Thermal Resistance Junction to Case | θ_{JC} | | | 40 | | $^{\circ}\text{C}/\text{W}$ |

Marking Diagrams



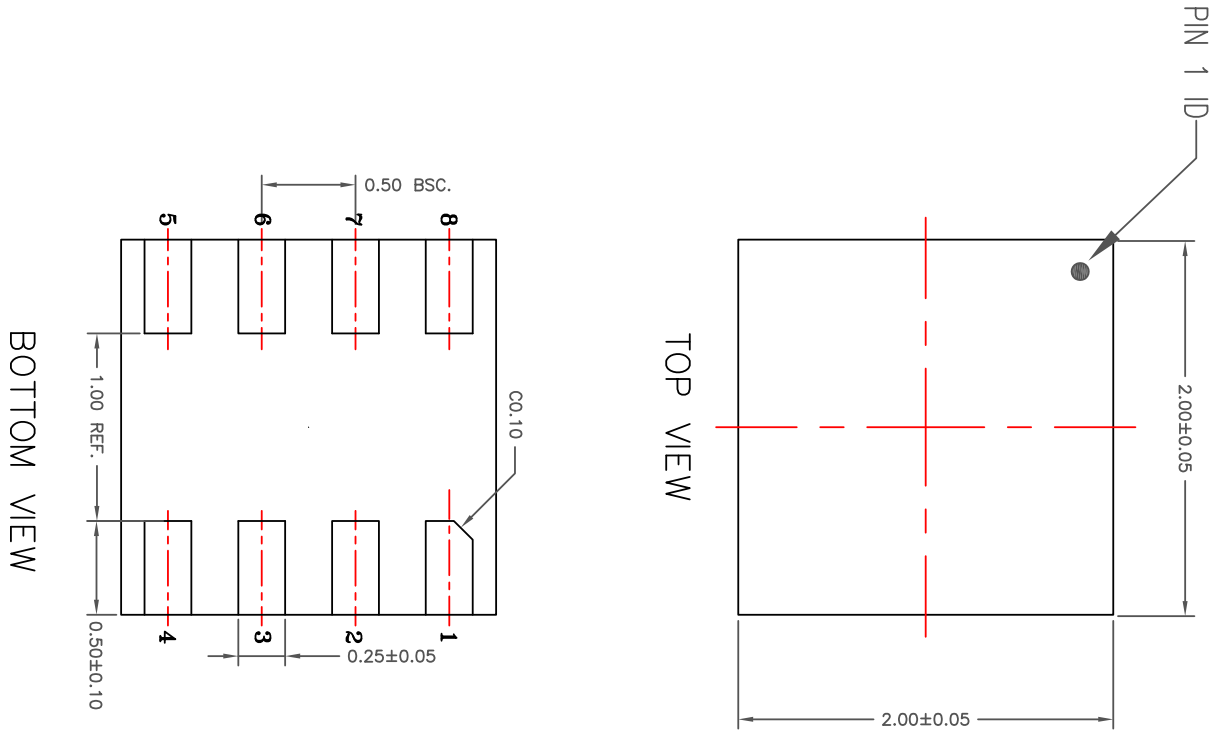
8-pin SOIC



8-pin DFN

Notes:

1. “**” is the lot number.
2. “YYWW” or “YW” are the last digits of the year and week that the part was assembled.
- 3 “G” denotes RoHS compliant package.
4. “\$” denotes mark code.
5. “I” denotes extended temperature range device.

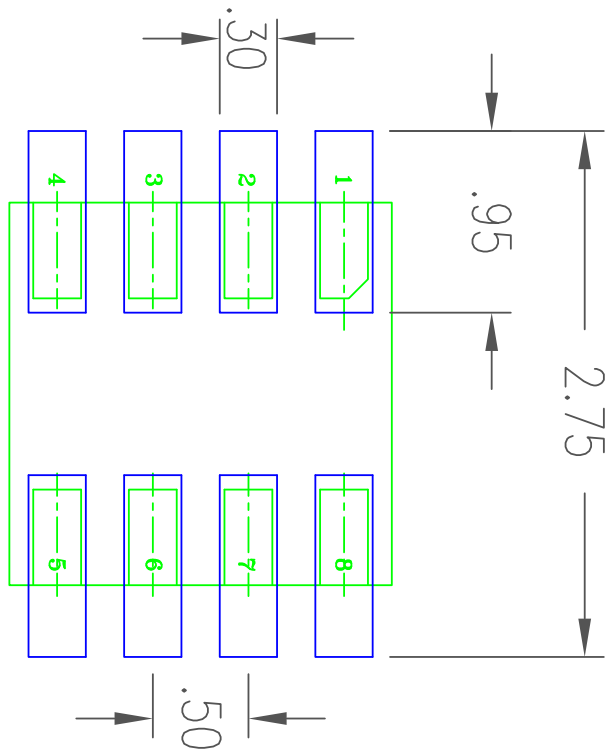
Package Outline and Package Dimensions (8-pin DFN, 2mm x 2mm Body, 0.5mm pitch)


- NOTES:
1. ALL DIMENSIONING AND TOLERANCING CONFORM TO ANSI Y14.5M-1982
 2. ALL DIMENSIONS ARE IN MILLIMETERS

| REVISIONS | | | |
|-----------|-----------------|----------|----------|
| REV | DESCRIPTION | DATE | APPROVED |
| 00 | INITIAL RELEASE | 09/18/14 | JHUA |

| | | | |
|---|------|--|--------------|
| TOLERANCES UNLESS SPECIFIED DECIMAL ANGULAR XXX± XXXX± | | 6024 SILVER CREEK VALLEY ROAD San Jose, CA 95138 PHONE: (408) 284-8200 FAX: (408) 492-8674 www.IDT.com | |
| APPROVALS | DATE | TITLE | SIZE |
| DRAWN: <i>024C</i> 09/10/14 CHECKED: <i>7622</i> 09/10/14 XXXX± | | CMC8 PACKAGE OUTLINE 2.0 X 2.0 mm BODY 0.5mm PITCH VQFN | C |
| DO NOT SCALE DRAWING | | DRAWING No. | REV |
| | | PSC-4490 | 00 |
| | | | SHEET 1 OF 2 |

Package Outline and Package Dimensions, cont. (8-pin DFN, 2mm x 2mm Body, 0.5mm pitch)



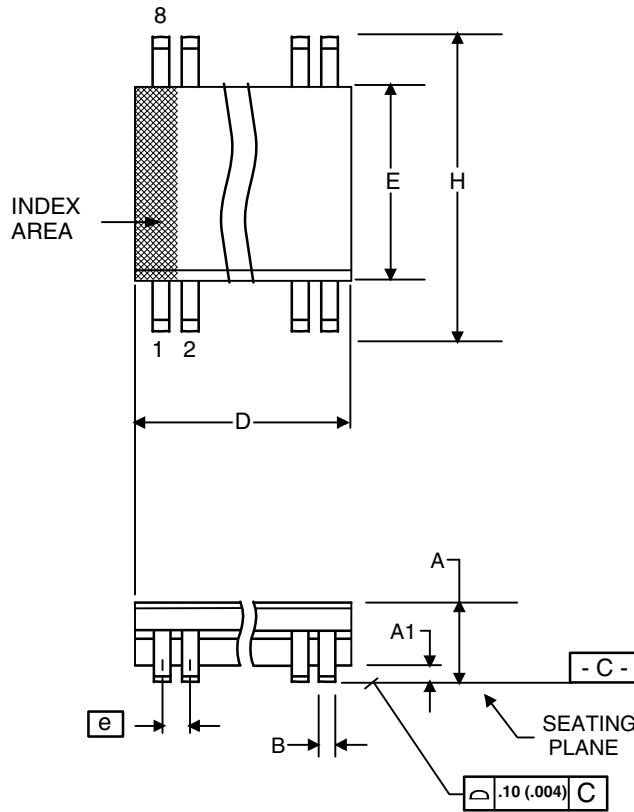
RECOMMENDED LAND PATTERN DIMENSION

- NOTES:
1. ALL DIMENSION ARE IN mm. ANGLES IN DEGREES.
 2. TOP DOWN VIEW. AS VIEWED.
 3. COMPONENT OUTLINE SHOW FOR REFERENCE IN GREEN.
 4. LAND PATTERN IN BLUE. NSMD PATTERN ASSUMED.
 5. LAND PATTERN RECOMMENDATION PER IPC-7351B GENERIC REQUIREMENT FOR MOUNT DESIGN AND LAND PATTERN.

| REVISIONS | | |
|-----------|-----------------|----------|
| REV | DESCRIPTION | DATE |
| 00 | INITIAL RELEASE | 09/18/14 |
| | | |
| | | |

| | | | |
|-----------------------------|---------|---|----------|
| TOLERANCES UNLESS SPECIFIED | | 6024 SILVER CREEK, VA San Jose, CA 95138 PHONE: (408) 284-82 FAX: (408) 492-8674 | |
| DECIMAL | ANGULAR | TITLE: QM8 PACKAGE OUTLINE 2.0 X 2.0 mm BODY 0.5 mm PITCH VFOFN | |
| XXX± | ± | APPROVALS | DATE |
| XXXX± | | DRAWN | 09/19/14 |
| XXXX± | | CHECKED | |
| SIZE: C | | DRAWING No. PSC-4490 | |
| DO NOT SCALE DRAWING | | SHEET | |

Package Outline and Package Dimensions (8-pin SOIC, 150 Mil. Narrow Body)



| Symbol | Millimeters | | Inches* | |
|--------|-------------|------|-------------|-------|
| | Min | Max | Min | Max |
| A | 1.35 | 1.75 | .0532 | .0688 |
| A1 | 0.10 | 0.25 | .0040 | .0098 |
| B | 0.33 | 0.51 | .013 | .020 |
| C | 0.19 | 0.25 | .0075 | .0098 |
| D | 4.80 | 5.00 | .1890 | .1968 |
| E | 3.80 | 4.00 | .1497 | .1574 |
| e | 1.27 BASIC | | 0.050 BASIC | |
| H | 5.80 | 6.20 | .2284 | .2440 |
| h | 0.25 | 0.50 | .010 | .020 |
| L | 0.40 | 1.27 | .016 | .050 |
| a | 0° | 8° | 0° | 8° |

*For reference only. Controlling dimensions in mm.

Ordering Information

| Part / Order Number | Marking | Shipping Packaging | Package | Temperature |
|---------------------|------------|--------------------|------------|----------------|
| 74FCT38074SDCGI | see page 6 | Tubes | 8-pin SOIC | -40° to +105°C |
| 74FCT38074SDCGI8 | | Tape and Reel | 8-pin SOIC | -40° to +105°C |
| 74FCT38074SCMGI | | Cut Tape | 8-pin DFN | -40° to +105°C |
| 74FCT38074SCMGI8 | | Tape and Reel | 8-pin DFN | -40° to +105°C |

“G” after the two-letter package code denotes Pb-Free configuration, RoHS compliant.

Revision History

| Rev. | Date | Originator | Description of Change |
|------|---------|--------------|-----------------------|
| A | 03/1815 | B. Chandhoke | Initial release. |



Corporate Headquarters
6024 Silver Creek Valley Road
San Jose, CA 95138 USA

Sales
1-800-345-7015 or 408-284-8200
Fax: 408-284-2775
www.IDT.com

Tech Support
email: clocks@idt.com

DISCLAIMER Integrated Device Technology, Inc. (IDT) and its subsidiaries reserve the right to modify the products and/or specifications described herein at any time and at IDT's sole discretion. All information in this document, including descriptions of product features and performance, is subject to change without notice. Performance specifications and the operating parameters of the described products are determined in the independent state and are not guaranteed to perform the same way when installed in customer products. The information contained herein is provided without representation or warranty of any kind, whether express or implied, including, but not limited to, the suitability of IDT's products for any particular purpose, an implied warranty of merchantability, or non-infringement of the intellectual property rights of others. This document is presented only as a guide and does not convey any license under intellectual property rights of IDT or any third parties.

IDT's products are not intended for use in applications involving extreme environmental conditions or in life support systems or similar devices where the failure or malfunction of an IDT product can be reasonably expected to significantly affect the health or safety of users. Anyone using an IDT product in such a manner does so at their own risk, absent an express, written agreement by IDT.

Integrated Device Technology, IDT and the IDT logo are registered trademarks of IDT. Product specification subject to change without notice. Other trademarks and service marks used herein, including protected names, logos and designs, are the property of IDT or their respective third party owners.

Copyright ©2015 Integrated Device Technology, Inc.. All rights reserved.

Компания «Life Electronics» занимается поставками электронных компонентов импортного и отечественного производства от производителей и со складов крупных дистрибьюторов Европы, Америки и Азии.

С конца 2013 года компания активно расширяет линейку поставок компонентов по направлению коаксиальный кабель, кварцевые генераторы и конденсаторы (керамические, пленочные, электролитические), за счёт заключения дистрибьюторских договоров

Мы предлагаем:

- Конкурентоспособные цены и скидки постоянным клиентам.
- Специальные условия для постоянных клиентов.
- Подбор аналогов.
- Поставку компонентов в любых объемах, удовлетворяющих вашим потребностям.
- Приемлемые сроки поставки, возможна ускоренная поставка.
- Доставку товара в любую точку России и стран СНГ.
- Комплексную поставку.
- Работу по проектам и поставку образцов.
- Формирование склада под заказчика.
- Сертификаты соответствия на поставляемую продукцию (по желанию клиента).
- Тестирование поставляемой продукции.
- Поставку компонентов, требующих военную и космическую приемку.
- Входной контроль качества.
- Наличие сертификата ISO.

В составе нашей компании организован Конструкторский отдел, призванный помогать разработчикам, и инженерам.

Конструкторский отдел помогает осуществить:

- Регистрацию проекта у производителя компонентов.
- Техническую поддержку проекта.
- Защиту от снятия компонента с производства.
- Оценку стоимости проекта по компонентам.
- Изготовление тестовой платы монтаж и пусконаладочные работы.



Тел: +7 (812) 336 43 04 (многоканальный)

Email: org@lifeelectronics.ru