

VOLTAGE CONTROLLED TEMPERATURE COMPENSATED CRYSTAL OSCILLATOR



5.0 X 3.2 X 1.5mm

ASTX-09/ASVTX-09



FEATURES:

- Low height 1.5mm
- Low phase noise -135dBc typical / 1kHz
- Low current 1.5mA / ~20MHz
- Clipped sine wave output.
- Suitable for RoHS reflow

APPLICATIONS:

- Cellular and cordless phones.
- GPS
- Mobile communication equipment.
- Portable radio equipment and music player.

STANDARD SPECIFICATIONS:

| PARAMETERS | | | | | | | | | | | |
|-------------------------------|--|------------------------|---------------------------------|--------------------|---|----------|-----------------|-------------------|-----------------------|---------|------------------------|
| ABRACON P/N | ASTX-09/ASVTX-09 Series | | | | | | | | | | |
| Frequency: | 6.000MHz to 45.000MHz | | | | | | | | | | |
| Nominal Frequencies: | 8, 10, 12, 12.8, 13, 14.4, 16.368, 19.2, 19.8, 20, 22, 24.5535, 26.40 | | | | | | | | | | |
| Operating Temperature: | -30°C to +75°C (See Table 1 for options) | | | | | | | | | | |
| Storage Temperature: | -40°C to +85°C | | | | | | | | | | |
| Frequency Stability: | <table border="0"> <tr> <td>vs +25°C before reflow</td> <td>± 0.5ppm standard (See option)</td> </tr> <tr> <td>vs Operating Temp.</td> <td>±2.5ppm standard (See Table1 for options)</td> </tr> <tr> <td>vs Aging</td> <td>± 1ppm/1st year</td> </tr> <tr> <td>vs Supply Voltage</td> <td>±0.2ppm (± 5% change)</td> </tr> <tr> <td>vs Load</td> <td>±0.2ppm (± 10% change)</td> </tr> </table> | vs +25°C before reflow | ± 0.5ppm standard (See option) | vs Operating Temp. | ±2.5ppm standard (See Table1 for options) | vs Aging | ± 1ppm/1st year | vs Supply Voltage | ±0.2ppm (± 5% change) | vs Load | ±0.2ppm (± 10% change) |
| vs +25°C before reflow | ± 0.5ppm standard (See option) | | | | | | | | | | |
| vs Operating Temp. | ±2.5ppm standard (See Table1 for options) | | | | | | | | | | |
| vs Aging | ± 1ppm/1st year | | | | | | | | | | |
| vs Supply Voltage | ±0.2ppm (± 5% change) | | | | | | | | | | |
| vs Load | ±0.2ppm (± 10% change) | | | | | | | | | | |
| Voltage Control Range (Vcc): | 1.5V ±1.0V | | | | | | | | | | |
| Supply Voltage (Vdd): | 3.0V ± 5%Standard (See options) | | | | | | | | | | |
| Supply Current: | 1.5mA max (~20MHz), 2.0mA max (~32MHz), 2.5mA max (~45MHz) | | | | | | | | | | |
| Output Type: | Clipped Sine | | | | | | | | | | |
| Output Voltage | 0.8Vp-p min | | | | | | | | | | |
| Output Load: | 10 kohm // 10 pF | | | | | | | | | | |
| Pullability: | ± 8ppm min | | | | | | | | | | |
| Transfer function: | Positive | | | | | | | | | | |
| Phase Noise (Reference only): | -135dBc typical @ 1KHz (Frequency dependent.) e.g. -131dBc typical @ 1KHz (32MHz), Please contact ABRACON for each frequencies. | | | | | | | | | | |

OPTIONS & PART IDENTIFICATION:

(Left blank if standard)

ASTX- 09/ASVTX - 09 - - Frequency - - -

| | Supply Voltage (Vdd) |
|--------|----------------------|
| A | 2.5V±0.1 V |
| Blank* | 3.0V±5% |
| B | 3.3V±5% |
| C | 5.0V±5% |

*3.0V±5% : Standard

| Frequency Stability vs +25°C | |
|------------------------------|---------|
| Blank* | ±0.5ppm |
| J | ±1.5ppm |

* Standard

| Packaging | |
|-----------|---------------|
| Blank | Bulk |
| T | Tape and Reel |

(1,000 or 2,000pcs/reel)

Table 1: Frequency Stability vs Operating Temp.

| | ±1ppm | ±1.5ppm | ±2ppm | ±2.5ppm | ±3ppm | ±4ppm | ±5ppm |
|----------------|-------|---------|-------|---------|-------|-------|-------|
| 0°C-50°C | D10 | D15 | D20 | D25 | D30 | D40 | D50 |
| -10°C to 60°C | E10 | E15 | E20 | E25 | E30 | E40 | E50 |
| 0°C to 70°C | | F15 | F20 | F25 | F30 | F40 | F50 |
| -20°C to +75°C | | | G20 | G25 | G30 | G40 | G50 |
| -30°C to 75°C | | | | STD | H30 | H40 | H50 |
| -40°C to 85°C | | | | | I30 | I40 | I50 |

ABRACON IS
ISO9001:2008
CERTIFIED



Visit www.abracon.com for Terms & Conditions of Sale

30332 Esperanza, Rancho Santa Margarita, California 92688
tel 949-546-8000 | fax 949-546-8001 | www.abracon.com

Revised: 09.14.11

VOLTAGE CONTROLLED TEMPERATURE COMPENSATED CRYSTAL OSCILLATOR

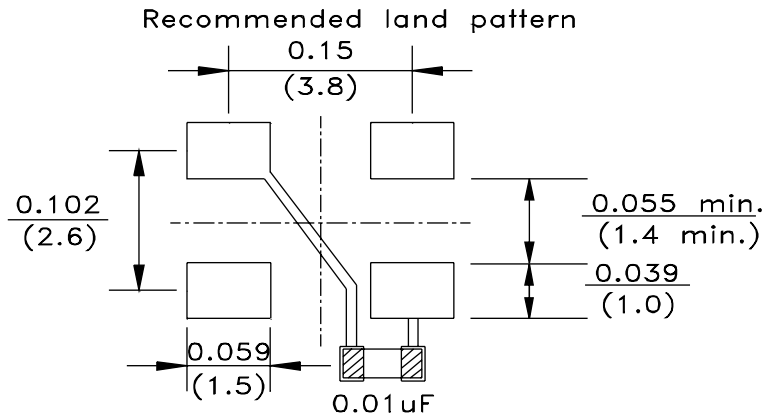
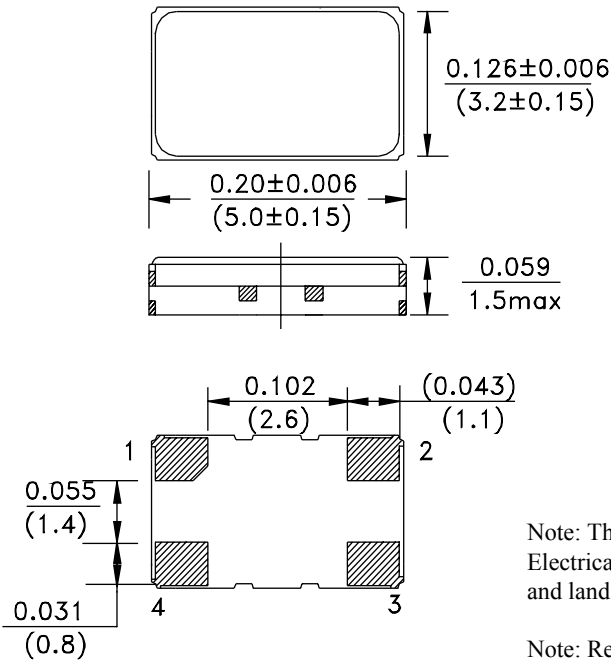


5.0 X 3.2 X 1.5mm

ASTX-09/ASVTX-09



OUTLINE DIMENSIONS:



Note: The outline package may vary. Electrical properties, pin configuration, and land pattern are the same.

Note: Recommend using an approximately 0.01uF bypass capacitor between PIN 2 and 4.

| PIN | FUNCTION |
|-----|----------|
| 1 | Vc/NC* |
| 2 | GND |
| 3 | Output |
| 4 | Vdd |

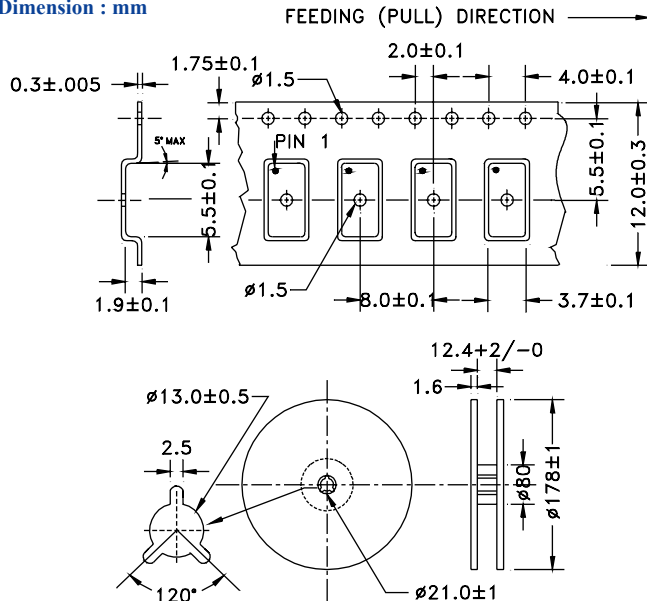
*NC for ASTX-09 only

Dimension : Inches (mm)

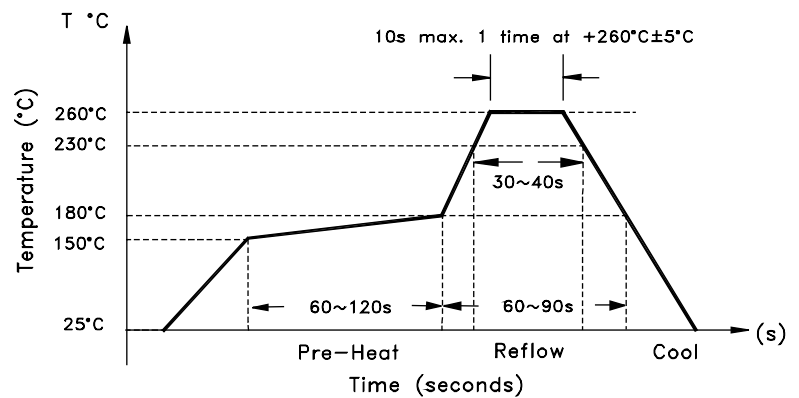
TAPE & REEL:

T= tape and reel (1,000 or 2,000pcs/reel)

Dimension : mm



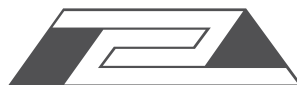
REFLOW PROFILE:



Need a test socket for the ASTX-09/ASVTX-09 Series? To view compatible **PRECISION TEST & BURN-IN SOCKETS** for these parts, [click here](#).

ATTENTION: Abracon Corporation's products are COTS – Commercial-Off-The-Shelf products; suitable for Commercial, Industrial and, where designated, Automotive Applications. Abracon's products are not specifically designed for Military, Aviation, Aerospace, Life-dependant Medical applications or any application requiring high reliability where component failure could result in loss of life and/or property. For applications requiring high reliability and/or presenting an extreme operating environment, written consent and authorization from Abracon Corporation is required. Please contact Abracon Corporation for more information.

ABRACON IS
ISO9001:2008
CERTIFIED



ABRACON
CORPORATION

Visit www.abracon.com for Terms & Conditions of Sale
 30332 Esperanza, Rancho Santa Margarita, California 92688
 tel 949-546-8000 | fax 949-546-8001 | www.abracon.com

Revised: 09.14.11

Компания «Life Electronics» занимается поставками электронных компонентов импортного и отечественного производства от производителей и со складов крупных дистрибьюторов Европы, Америки и Азии.

С конца 2013 года компания активно расширяет линейку поставок компонентов по направлению коаксиальный кабель, кварцевые генераторы и конденсаторы (керамические, пленочные, электролитические), за счёт заключения дистрибьюторских договоров

Мы предлагаем:

- Конкурентоспособные цены и скидки постоянным клиентам.
- Специальные условия для постоянных клиентов.
- Подбор аналогов.
- Поставку компонентов в любых объемах, удовлетворяющих вашим потребностям.
- Приемлемые сроки поставки, возможна ускоренная поставка.
- Доставку товара в любую точку России и стран СНГ.
- Комплексную поставку.
- Работу по проектам и поставку образцов.
- Формирование склада под заказчика.
- Сертификаты соответствия на поставляемую продукцию (по желанию клиента).
- Тестирование поставляемой продукции.
- Поставку компонентов, требующих военную и космическую приемку.
- Входной контроль качества.
- Наличие сертификата ISO.

В составе нашей компании организован Конструкторский отдел, призванный помогать разработчикам, и инженерам.

Конструкторский отдел помогает осуществить:

- Регистрацию проекта у производителя компонентов.
- Техническую поддержку проекта.
- Защиту от снятия компонента с производства.
- Оценку стоимости проекта по компонентам.
- Изготовление тестовой платы монтаж и пусконаладочные работы.



Тел: +7 (812) 336 43 04 (многоканальный)

Email: org@lifeelectronics.ru