

# LF SERIES CLASS H/K5 AND R FUSE BLOCKS

250 V • 600 V



## Description

The Littelfuse Class H/K5 and R blocks offer many benefits such as indication, snap-to-release DIN rail mounting and universal mounting holes. Class H and Class R fuse blocks are dimensionally the same, but Class R blocks incorporate a rejection feature, which only allows Class R fuses to be inserted.

## Features/Benefits

- Universal mounting holes for easy replacement
- Indication offered on most 250 V and 600 V versions
- One hand release from DIN rail for ferrule style fuses
- Reinforced fuse clips are standard on all Class H and Class R fuse blocks
- Covers available for 100 A and lower to enhance safety

## Specifications

|                            |                                                          |
|----------------------------|----------------------------------------------------------|
| <b>Voltage Rating</b>      | 250 V, 600 V                                             |
| <b>Ampere Ratings</b>      | 0-600 A                                                  |
| <b>Leakage Current</b>     | <0.6 mA at 600 V                                         |
| <b>Withstand Rating</b>    | Class H: 10 kA RMS SYM<br>Class R: 200 kA RMS SYM        |
| <b>Flammability Rating</b> | UL94 V-0                                                 |
| <b>Approvals</b>           | UL Listed (File: E14721)<br>CSA Certified (File: LR7316) |
| <b>Environmental</b>       | RoHS Compliant, Lead (Pb) Free                           |

## Web Resources

Sample requests, downloadable CAD drawings and other technical information: [Littelfuse.com/lfh](http://Littelfuse.com/lfh)

[Littelfuse.com/lfr](http://Littelfuse.com/lfr)  
[Littelfuse.com/fuseblocks](http://Littelfuse.com/fuseblocks)

## Recommended Fuses

**Class H/K5 Blocks – 250 V**  
NLN, RLN

**Class R Blocks – 250 V**  
FLNR/FLNR\_ID, KLNR, LLNRK

**Class H/K5 Blocks – 600 V**  
NLS, RLS

**Class R Blocks – 600 V**  
FLSR/FLSR\_ID, KLSR, LLSRK/LLSRK\_ID, IDSR

## Ordering Information (Class H 250 V)

| AMP RATING | POLES | ORDERING NUMBER  |         |                       |       | TORQUE                | TERMINAL          | WIRE RANGE | WIRE TYPE | BASE TEMP RATING | DIN RAIL | INDICATION  | COVER ORDERING NUMBER* |
|------------|-------|------------------|---------|-----------------------|-------|-----------------------|-------------------|------------|-----------|------------------|----------|-------------|------------------------|
|            |       | BASE PART NUMBER | BOX LUG | SUFFIX PRESSURE PLATE | SCREW |                       |                   |            |           |                  |          |             |                        |
| 30         | 1     | LFH250301        | C       | P                     | S     | 2.8 N-m (25 in-lbs)   | C                 | 6-14 AWG   | CU Only   | 125°C            | •        | —           | LFH25030FBC            |
|            | 2     | LFH250302        | C       | P                     | S     |                       | P                 | 10-14 AWG  |           |                  |          |             |                        |
|            | 3     | LFH250303        | C       | P                     | S     |                       | S                 | 10-22 AWG  |           |                  |          |             |                        |
| 60         | 1     | LFH250601        | CID     | —                     | —     | 5.6 N-m (50 in-lbs)   | 2-4 AWG           | CU-AL      | 125°C     | •                | •        | LFH25060FBC |                        |
|            | 2     | LFH250602        | CID     | —                     | —     | 2.8 N-m (25 in-lbs)   | 6-14 AWG          |            |           |                  |          |             |                        |
|            | 3     | LFH250603        | CID     | —                     | —     |                       |                   |            |           |                  |          |             |                        |
| 100        | 1     | LFH251001        | CID     | —                     | —     | 13.6 N-m (120 in-lbs) | 2/0-6 AWG         | CU-AL      | 130°C     | —                | •        | LFH25100FBC |                        |
|            | 3     | LFH251003        | CID     | —                     | —     | 4.5 N-m (40 in-lbs)   | 8 AWG             |            |           |                  |          |             |                        |
|            |       |                  |         |                       |       | 4.0 N-m (35 in-lbs)   | 10-14 AWG         |            |           |                  |          |             |                        |
| 200        | 1     | LFH252001        | C       | —                     | —     | 31.1 N-m (275 in-lbs) | 250 kcmil-6       | CU-AL      | 130°C     | —                | —        | —           |                        |
|            | 3     | LFH252003        | C       | —                     | —     |                       |                   |            |           |                  |          |             |                        |
| 400        | 1     | LFH254001        | C       | —                     | —     | 31.1 N-m (275 in-lbs) | (2) 350 kcmil-1/0 | CU-AL      | 130°C     | —                | —        | —           |                        |
|            | 3     | LFH254003        | C       | —                     | —     |                       |                   |            |           |                  |          |             |                        |
| 600        | 1     | LFH256001        | C       | —                     | —     | 42.4 N-m (375 in-lbs) | (2) 500 kcmil-4   | CU-AL      | 130°C     | —                | —        | —           |                        |
|            | 3     | LFH256003        | C       | —                     | —     |                       |                   |            |           |                  |          |             |                        |

Note: Reinforcing springs standard on all Class H fuse blocks. \*Covers sold individually. One cover needed for each pole.

# LF SERIES CLASS H/K5 AND R FUSE BLOCKS

## Ordering Information (Class H 600 V)

| AMP RATING | POLES | ORDERING NUMBER      |         |                       | TORQUE | TERMINAL              | WIRE RANGE        | WIRE TYPE | BASE TEMP RATING | SNAP TO RELEASE | INDICATION | COVER ORDERING NUMBER* |             |
|------------|-------|----------------------|---------|-----------------------|--------|-----------------------|-------------------|-----------|------------------|-----------------|------------|------------------------|-------------|
|            |       | BASE ORDERING NUMBER | BOX LUG | SUFFIX PRESSURE PLATE |        |                       |                   |           |                  |                 |            |                        | SCREW       |
| 30         | 1     | LFH600301            | CID     | PID                   | SID    | 2.8 N-m (25 in-lbs)   | C                 | 6-14 AWG  | CU Only          | 130°C           | •          | •                      | LFH60030FBC |
|            | 2     | LFH600302            | CID     | PID                   | SID    |                       | P                 | 10-14 AWG |                  |                 |            |                        |             |
|            | 3     | LFH600303            | CID     | PID                   | SID    |                       | S                 | 10-22 AWG |                  |                 |            |                        |             |
| 60         | 1     | LFH600601            | CID     | —                     | —      | 5.6 N-m (50 in-lbs)   | 2-4 AWG           | CU-AL     | 130°C            | •               | •          | LFH60060FBC            |             |
|            | 2     | LFH600602            | CID     | —                     | —      |                       |                   |           |                  |                 |            |                        |             |
|            | 3     | LFH600603            | CID     | —                     | —      | 2.8 N-m (25 in-lbs)   | 6-14AWG           |           |                  |                 |            |                        |             |
| 100        | 1     | LFH601001            | CID     | —                     | —      | 13.6 N-m (120 in-lbs) | 2/0-6AWG          | CU-AL     | 130°C            | —               | •          | LFH60100FBC            |             |
|            | 3     | LFH601003            | CID     | —                     | —      | 4.5 N-m (40 in-lbs)   | 8 AWG             |           |                  |                 |            |                        |             |
|            |       |                      |         |                       |        | 4.0 N-m (35 in-lbs)   | 10-14 AWG         |           |                  |                 |            |                        |             |
| 200        | 1     | LFH602001            | C       | —                     | —      | 31.1 N-m (275 in-lbs) | 250 kcmil-6       | CU-AL     | 130°C            | —               | —          | —                      |             |
|            | 3     | LFH602003            | C       | —                     | —      |                       |                   |           |                  |                 |            |                        |             |
| 400        | 1     | LFH604001            | C       | —                     | —      | 31.1 N-m (275 in-lbs) | (2) 350 kcmil-1/0 | CU-AL     | 130°C            | —               | —          | —                      |             |
|            | 3     | LFH604003            | C       | —                     | —      |                       |                   |           |                  |                 |            |                        |             |
| 600        | 1     | LFH606001            | C       | —                     | —      | 42.4 N-m (375 in-lbs) | (2) 500 kcmil-4   | CU-AL     | 130°C            | —               | —          | —                      |             |
|            | 3     | LFH606003            | C       | —                     | —      |                       |                   |           |                  |                 |            |                        |             |

Note: Reinforcing springs standard on all Class H fuse blocks.

## Ordering Information (Class R 250 V)

| AMP RATING | POLES | ORDERING NUMBER      |         |                       | TORQUE | TERMINAL              | WIRE RANGE        | WIRE TYPE | BASE TEMP RATING | SNAP TO RELEASE | INDICATION | COVER ORDERING NUMBER* |             |
|------------|-------|----------------------|---------|-----------------------|--------|-----------------------|-------------------|-----------|------------------|-----------------|------------|------------------------|-------------|
|            |       | BASE ORDERING NUMBER | BOX LUG | SUFFIX PRESSURE PLATE |        |                       |                   |           |                  |                 |            |                        | SCREW       |
| 30         | 1     | LFR250301            | C       | P                     | S      | 2.8 N-m (25 in-lbs)   | C                 | 6-14 AWG  | CU Only          | 125°C           | •          | —                      | LFH25030FBC |
|            | 2     | LFR250302            | C       | P                     | S      |                       | P                 | 10-14 AWG |                  |                 |            |                        |             |
|            | 3     | LFR250303            | C       | P                     | S      |                       | S                 | 10-22 AWG |                  |                 |            |                        |             |
| 60         | 1     | LFR250601            | CID     | —                     | —      | 5.6 N-m (50 in-lbs)   | 2-4 AWG           | CU-AL     | 125°C            | •               | •          | LFH25060FBC            |             |
|            | 2     | LFR250602            | CID     | —                     | —      |                       |                   |           |                  |                 |            |                        |             |
|            | 3     | LFR250603            | CID     | —                     | —      | 2.8 N-m (25 in-lbs)   | 6-14 AWG          |           |                  |                 |            |                        |             |
| 100        | 1     | LFR251001            | CID     | —                     | —      | 13.6 N-m (120 in-lbs) | 2/0-6 AWG         | CU-AL     | 130°C            | —               | •          | LFH25100FBC            |             |
|            | 3     | LFR251003            | CID     | —                     | —      | 4.5 N-m (40 in-lbs)   | 8 AWG             |           |                  |                 |            |                        |             |
|            |       |                      |         |                       |        | 4.0 N-m (35 in-lbs)   | 10-14 AWG         |           |                  |                 |            |                        |             |
| 200        | 1     | LFR252001            | C       | —                     | —      | 31.1 N-m (275 in-lbs) | 250 kcmil-6       | CU-AL     | 130°C            | —               | —          | —                      |             |
|            | 3     | LFR252003            | C       | —                     | —      |                       |                   |           |                  |                 |            |                        |             |
| 400        | 1     | LFR254001            | C       | —                     | —      | 31.1 N-m (275 in-lbs) | (2) 350 kcmil-1/0 | CU-AL     | 130°C            | —               | —          | —                      |             |
|            | 3     | LFR254003            | C       | —                     | —      |                       |                   |           |                  |                 |            |                        |             |
| 600        | 1     | LFR256001            | C       | —                     | —      | 42.4 N-m (375 in-lbs) | (2) 500 kcmil-4   | CU-AL     | 130°C            | —               | —          | —                      |             |
|            | 3     | LFR256003            | C       | —                     | —      |                       |                   |           |                  |                 |            |                        |             |

Note: Reinforcing springs standard on all Class R fuse blocks.

## Ordering Information (Class R 600 V)

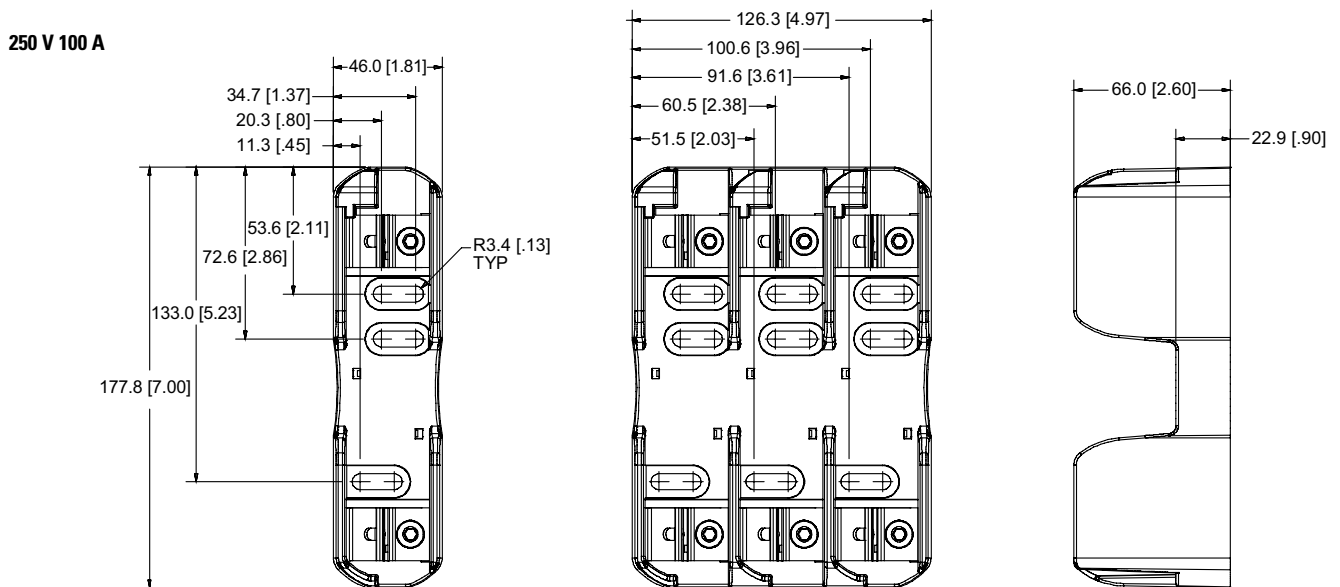
| AMP RATING | POLES | ORDERING NUMBER      |         |                       | TORQUE | TERMINAL              | WIRE RANGE        | WIRE TYPE | BASE TEMP RATING | SNAP TO RELEASE | INDICATION | COVER ORDERING NUMBER* |             |
|------------|-------|----------------------|---------|-----------------------|--------|-----------------------|-------------------|-----------|------------------|-----------------|------------|------------------------|-------------|
|            |       | BASE ORDERING NUMBER | BOX LUG | SUFFIX PRESSURE PLATE |        |                       |                   |           |                  |                 |            |                        | SCREW       |
| 30         | 1     | LFR600301            | CID     | PID                   | SID    | 2.8 N-m (25 in-lbs)   | C                 | 6-14 AWG  | CU Only          | 130°C           | •          | •                      | LFH60030FBC |
|            | 2     | LFR600302            | CID     | PID                   | SID    |                       | P                 | 10-14 AWG |                  |                 |            |                        |             |
|            | 3     | LFR600303            | CID     | PID                   | SID    |                       | S                 | 10-22 AWG |                  |                 |            |                        |             |
| 60         | 1     | LFR600601            | CID     | —                     | —      | 5.6 N-m (50 in-lbs)   | 2-4 AWG           | CU-AL     | 130°C            | •               | •          | LFH60060FBC            |             |
|            | 2     | LFR600602            | CID     | —                     | —      |                       |                   |           |                  |                 |            |                        |             |
|            | 3     | LFR600603            | CID     | —                     | —      | 2.8 N-m (25 in-lbs)   | 6-14 AWG          |           |                  |                 |            |                        |             |
| 100        | 1     | LFR601001            | CID     | —                     | —      | 13.6 N-m (120 in-lbs) | 2/0-6 AWG         | CU-AL     | 130°C            | —               | •          | LFH60100FBC            |             |
|            | 3     | LFR601003            | CID     | —                     | —      | 4.5 N-m (40 in-lbs)   | 8 AWG             |           |                  |                 |            |                        |             |
|            |       |                      |         |                       |        | 4.0 N-m (35 in-lbs)   | 10-14 AWG         |           |                  |                 |            |                        |             |
| 200        | 1     | LFR602001            | C       | —                     | —      | 31.1 N-m (275 in-lbs) | 250 kcmil-6       | CU-AL     | 130°C            | —               | —          | —                      |             |
|            | 3     | LFR602003            | C       | —                     | —      |                       |                   |           |                  |                 |            |                        |             |
| 400        | 1     | LFR604001            | C       | —                     | —      | 31.1 N-m (275 in-lbs) | (2) 350 kcmil-1/0 | CU-AL     | 130°C            | —               | —          | —                      |             |
|            | 3     | LFR604003            | C       | —                     | —      |                       |                   |           |                  |                 |            |                        |             |
| 600        | 1     | LFR606001            | C       | —                     | —      | 42.4 N-m (375 in-lbs) | (2) 500 kcmil-4   | CU-AL     | 130°C            | —               | —          | —                      |             |
|            | 3     | LFR606003            | C       | —                     | —      |                       |                   |           |                  |                 |            |                        |             |

Note: Reinforcing springs standard on all Class R fuse blocks.

\*Covers sold individually. One cover needed for each pole.

# CLASS H/K5 AND R FUSE BLOCKS

## Dimensions mm (inches)



# CLASS H/K5 AND R FUSE BLOCKS

## Dimensions mm (inches)

**250 V 200 A**



**250 V 400 A**



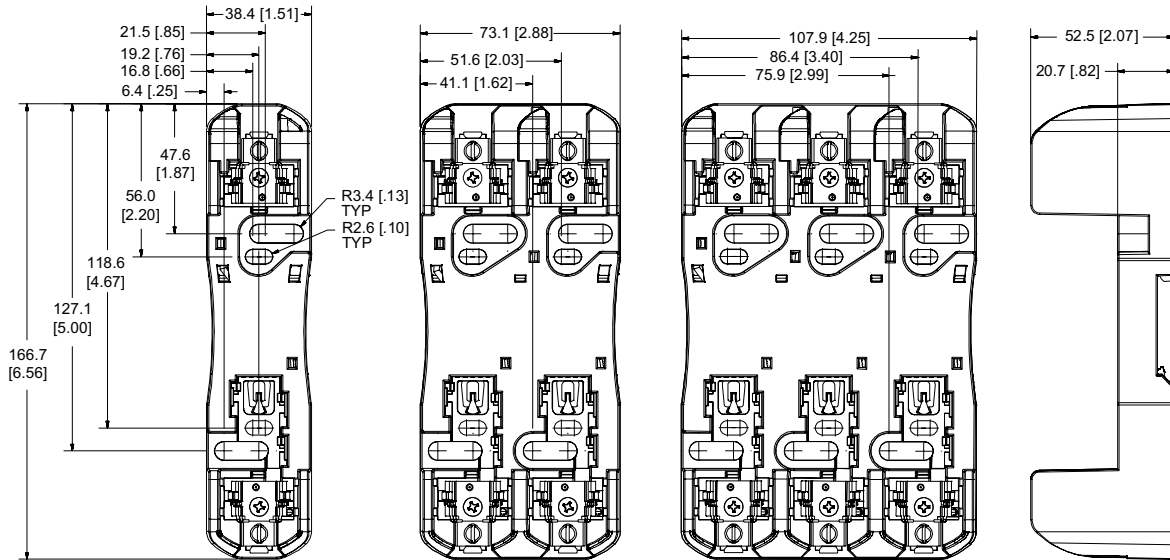
**250 V 600 A**



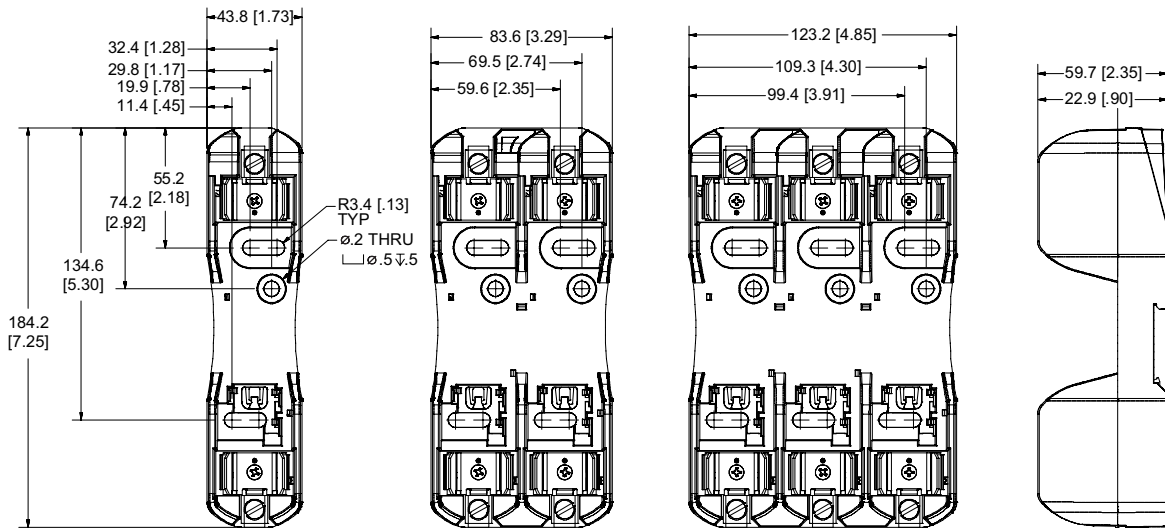
# CLASS H/K5 AND R FUSE BLOCKS

## Dimensions mm (inches)

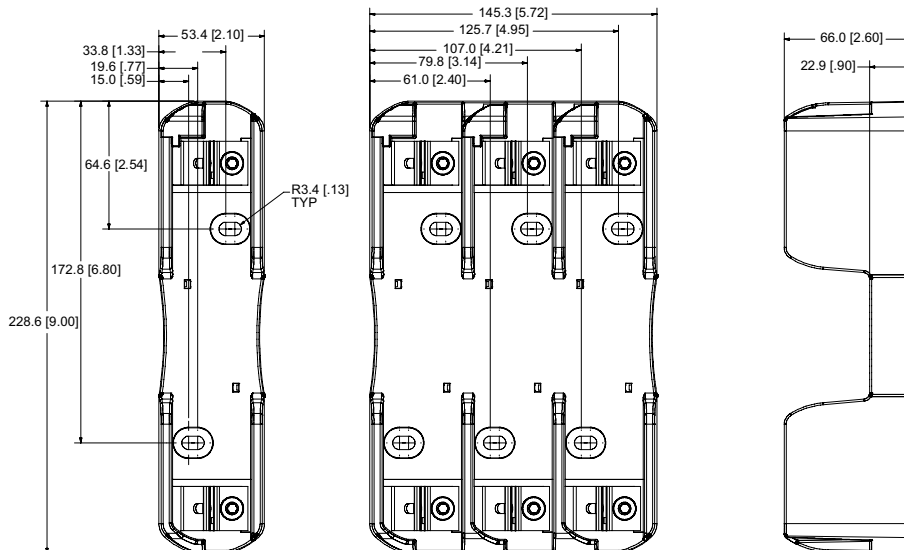
**600 V 30 A**



**600 V 60 A**



**600 V 100 A**



# CLASS H/K5 AND R FUSE BLOCKS

## Dimensions mm (inches)

### 600 V 200 A



### 600 V 400 A



### 600 V 600 A





Компания «Life Electronics» занимается поставками электронных компонентов импортного и отечественного производства от производителей и со складов крупных дистрибьюторов Европы, Америки и Азии.

С конца 2013 года компания активно расширяет линейку поставок компонентов по направлению коаксиальный кабель, кварцевые генераторы и конденсаторы (керамические, пленочные, электролитические), за счёт заключения дистрибьюторских договоров

Мы предлагаем:

- Конкурентоспособные цены и скидки постоянным клиентам.
- Специальные условия для постоянных клиентов.
- Подбор аналогов.
- Поставку компонентов в любых объемах, удовлетворяющих вашим потребностям.
- Приемлемые сроки поставки, возможна ускоренная поставка.
- Доставку товара в любую точку России и стран СНГ.
- Комплексную поставку.
- Работу по проектам и поставку образцов.
- Формирование склада под заказчика.
- Сертификаты соответствия на поставляемую продукцию (по желанию клиента).
- Тестирование поставляемой продукции.
- Поставку компонентов, требующих военную и космическую приемку.
- Входной контроль качества.
- Наличие сертификата ISO.

В составе нашей компании организован Конструкторский отдел, призванный помогать разработчикам, и инженерам.

Конструкторский отдел помогает осуществить:

- Регистрацию проекта у производителя компонентов.
- Техническую поддержку проекта.
- Защиту от снятия компонента с производства.
- Оценку стоимости проекта по компонентам.
- Изготовление тестовой платы монтаж и пусконаладочные работы.



Тел: +7 (812) 336 43 04 (многоканальный)

Email: [org@lifeelectronics.ru](mailto:org@lifeelectronics.ru)