



Main

Range of product	Phaseo Universal
Product or component type	Converter module
Rated power in W	30 W
Input voltage	24...28.8 V DC
Output voltage	5 V DC
Power supply output current	6 A

Complementary

Input voltage limits	22...30 V
Efficiency	80 %
Power dissipation in W	7 W
Input protection type	Against reverse polarity
Output voltage limits	5...6.5 V
Line and load regulation	1...3 %
Residual ripple	<= 100 mV
Output protection type	Against overload, protection technology: automatic reset Against overvoltage, protection technology: tripping if U > 7.8 V, automatic reset Against short-circuits, protection technology: automatic reset
Connections - terminals	Screw type terminals input connection, connection capacity: 2 x 0.5...2 x 4 mm ² AWG 24...AWG 10 Screw type terminals output connection, connection capacity: 2 x 0.5...2 x 4 mm ² AWG 24...AWG 10
Fixing mode	By clips on 35 mm symmetrical DIN rail, operating position: horizontal with derating to 40 % By clips on 35 mm symmetrical DIN rail, operating position: vertical
Operating altitude	6561.68 ft (2000 m)
Name of test	Conducted/radiated emissions conforming to EN 55022 Class B Electrostatic discharges conforming to EN/IEC 61000-4-2 Emission conforming to EN 61000-6-3 Induced electromagnetic field conforming to EN/IEC 61000-4-6 level 3 Radiated electromagnetic field conforming to EN/IEC 61000-4-3 level 3 Rapid transient conforming to IEC 61000-4-4 level 3 Surge conforming to EN/IEC 61000-4-5 level 2
Local signalling	1 LED green, function: output voltage (> 4 V)
Product weight	0.66 lb(US) (0.3 kg)

Environment

IP degree of protection	IP20 conforming to EN/IEC 60529
ambient air temperature for operation	-13...140 °F (-25...60 °C)
ambient air temperature for storage	-40...185 °F (-40...85 °C)
relative humidity	0...90 % during operation 0...95 % during storage
overvoltage category	Class 3
vibration resistance	(f = 11.9...150 Hz) conforming to EN/IEC 61131-2 (f = 3...11.9 Hz) conforming to EN/IEC 61131-2
dielectric strength	500 V between input and ground 500 V between input and output 500 V between output and ground
product certifications	CCSAus UL RCM

The information provided in this documentation contains general descriptions and/or technical characteristics of the products contained herein. This documentation is not intended as a substitute for and is not to be used for determining suitability or reliability of these products for specific user applications. It is the duty of any such user or integrator to perform the appropriate and complete risk analysis, evaluation and testing of the products with respect to the relevant specific application or use thereof. Neither Schneider Electric Industries SAS nor any of its affiliates or subsidiaries shall be responsible or liable for misuse of the information contained herein.

EAC

environmental characteristic

EMC conforming to EN 50081-1
EMC conforming to EN 61000-6-3
EMC conforming to EN/IEC 61000-6-2
Safety conforming to EN/IEC 60950-1
Safety conforming to IEC 61204

Offer Sustainability

Not Green Premium product

Not Green Premium product

Compliant - since 0501 - Schneider Electric declaration of conformity

Compliant - since 0501 - Schneider Electric declaration of conformity

Reference not containing SVHC above the threshold

Reference not containing SVHC above the threshold

WARNING: This product can expose you to chemicals including:

WARNING: This product can expose you to chemicals including:

Lead and lead compounds, which is known to the State of California to cause cancer and birth defects or other reproductive harm.

Lead and lead compounds, which is known to the State of California to cause cancer and birth defects or other reproductive harm.

For more information go to www.p65warnings.ca.gov

For more information go to www.p65warnings.ca.gov

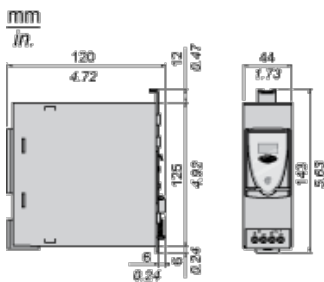
Contractual warranty

Warranty period

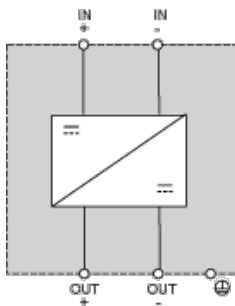
18 months

Converter Module

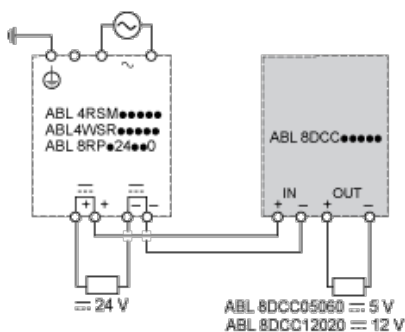
Dimensions



Internal Wiring Diagram



Scheme of Use with ABL4 Power Supplies



Компания «Life Electronics» занимается поставками электронных компонентов импортного и отечественного производства от производителей и со складов крупных дистрибьюторов Европы, Америки и Азии.

С конца 2013 года компания активно расширяет линейку поставок компонентов по направлению коаксиальный кабель, кварцевые генераторы и конденсаторы (керамические, пленочные, электролитические), за счёт заключения дистрибьюторских договоров

Мы предлагаем:

- Конкурентоспособные цены и скидки постоянным клиентам.
- Специальные условия для постоянных клиентов.
- Подбор аналогов.
- Поставку компонентов в любых объемах, удовлетворяющих вашим потребностям.
- Приемлемые сроки поставки, возможна ускоренная поставка.
- Доставку товара в любую точку России и стран СНГ.
- Комплексную поставку.
- Работу по проектам и поставку образцов.
- Формирование склада под заказчика.
- Сертификаты соответствия на поставляемую продукцию (по желанию клиента).
- Тестирование поставляемой продукции.
- Поставку компонентов, требующих военную и космическую приемку.
- Входной контроль качества.
- Наличие сертификата ISO.

В составе нашей компании организован Конструкторский отдел, призванный помогать разработчикам, и инженерам.

Конструкторский отдел помогает осуществить:

- Регистрацию проекта у производителя компонентов.
- Техническую поддержку проекта.
- Защиту от снятия компонента с производства.
- Оценку стоимости проекта по компонентам.
- Изготовление тестовой платы монтаж и пусконаладочные работы.



Тел: +7 (812) 336 43 04 (многоканальный)

Email: org@lifeelectronics.ru