

# MC10EP17, MC100EP17

## 3.3V / 5V ECL Quad Differential Driver/Receiver

### Description

The MC10/100EP17 is a 4-bit differential line receiver based on the EP17 device. The >3.0 GHz maximum frequency provided by the high frequency outputs makes the device ideal for buffering of very high speed oscillators.

The  $V_{BB}$  pin, an internally generated voltage supply, is available to this device only. For single-ended input conditions, the unused differential input is connected to  $V_{BB}$  as a switching reference voltage.  $V_{BB}$  may also rebias AC coupled inputs. When used, decouple  $V_{BB}$  and  $V_{CC}$  via a 0.01  $\mu$ F capacitor and limit current sourcing or sinking to 0.5 mA. When not used,  $V_{BB}$  should be left open.

The design incorporates two stages of gain, internal to the device, making it an excellent choice for use in high bandwidth amplifier applications.

Inputs of unused gates can be left open and will not affect the operation of the rest of the device. All  $V_{CC}$  and  $V_{EE}$  pins must be externally connected to power supply to guarantee proper operation.

The 100 Series contains temperature compensation.

### Features

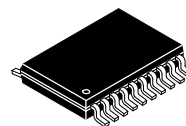
- 220 ps Typical Propagation Delay
- Maximum Frequency >3.0 GHz Typical
- PECL Mode Operating Range:  $V_{CC} = 3.0$  V to 5.5 V with  $V_{EE} = 0$  V
- NECL Mode Operating Range:  $V_{CC} = 0$  V with  $V_{EE} = -3.0$  V to  $-5.5$  V
- Open Input Default State
- Safety Clamp on Inputs
- Q Output Will Default LOW with Inputs Open or at  $V_{EE}$
- $V_{BB}$  Output
- Pb-Free Packages are Available\*



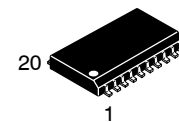
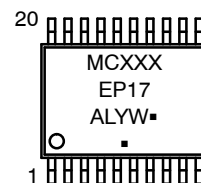
ON Semiconductor®

<http://onsemi.com>

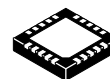
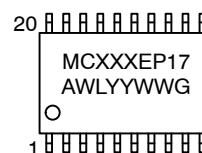
### MARKING DIAGRAMS\*



TSSOP-20  
DT SUFFIX  
CASE 948E



SO-20  
DW SUFFIX  
CASE 751D



QFN-20  
MN SUFFIX  
CASE 485E



- XXX = 10 or 100
- A = Assembly Location
- L, = Assembly Lot
- WL = Wafer Lot
- Y, YY = Year
- W, WW = Work Week
- G or ■ = Pb-Free Package

(Note: Microdot may be in either location)

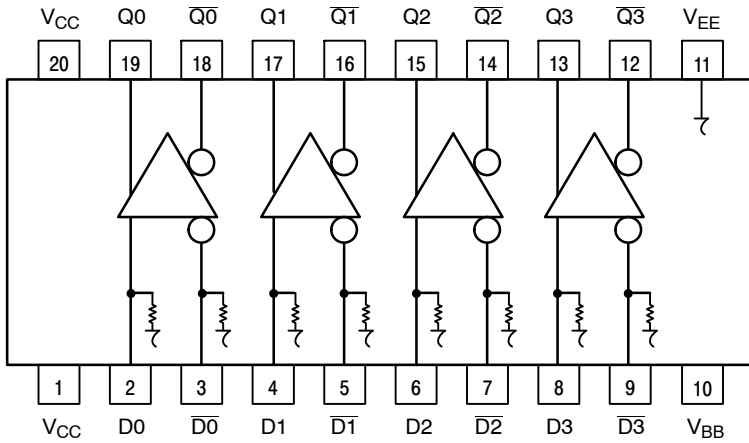
\*For additional marking information, refer to Application Note AND8002/D.

### ORDERING INFORMATION

See detailed ordering and shipping information in the package dimensions section on page 8 of this data sheet.

\*For additional information on our Pb-Free strategy and soldering details, please download the ON Semiconductor Soldering and Mounting Techniques Reference Manual, SOLDERRM/D.

# MC10EP17, MC100EP17

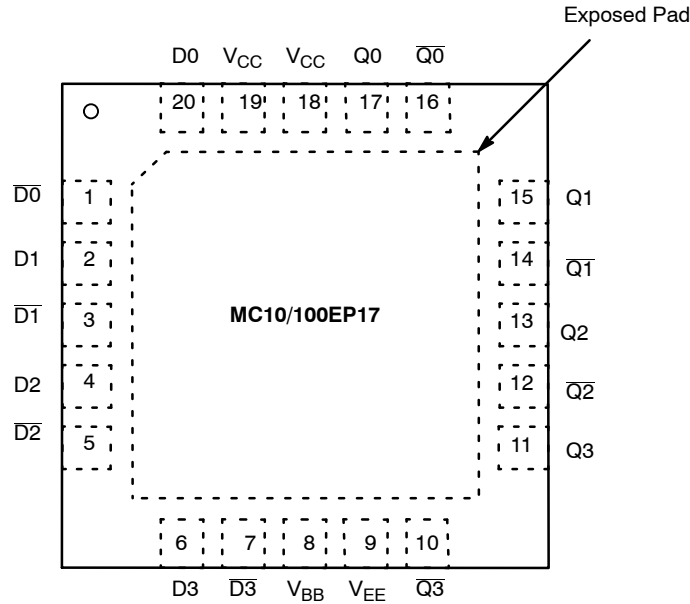


**Table 1. PIN DESCRIPTION**

| PIN                            | FUNCTION                      |
|--------------------------------|-------------------------------|
| D[0:3]*, $\overline{D}$ [0:3]* | ECL Differential Data Inputs  |
| Q[0:3], $\overline{Q}$ [0:3]   | ECL Differential Data Outputs |
| V <sub>BB</sub>                | Reference Voltage Output      |
| V <sub>CC</sub>                | Positive Supply               |
| V <sub>EE</sub>                | Negative Supply               |
| EP                             | Exposed Pad                   |

\* Pins will default LOW when left open.

**Figure 1. 20-Lead Pinout (Top View) and Logic Diagram**



NOTE: The Exposed Pad (EP) on package bottom must be attached to a heat-sinking conduit. The Exposed Pad may only be electrically connected to V<sub>EE</sub>.

**Figure 1. QFN-20 Pinout (Top View)**

**Table 2. ATTRIBUTES**

| Characteristics   | Value                  |                      |
|---|------------------------|----------------------|
| Internal Input Pulldown Resistor                              | 75 kΩ                  |                      |
| Internal Input Pullup Resistor                                | N/A                    |                      |
| ESD Protection  | Human Body Model       | > 2 kV               |
|   | Machine Model          | > 100 V              |
|   | Charged Device Model   | > 2 kV               |
| Moisture Sensitivity, Indefinite Time Out of Drypack (Note 1) | Pb Pkg                 | Pb-Free Pkg          |
|   | SOIC-20                | Level 3              |
|   | TSSOP-20               | Level 3              |
|   | QFN-20                 | Level 1              |
| Flammability Rating   | Oxygen Index: 28 to 34 | UL 94 V-0 @ 0.125 in |
| Transistor Count  | 259 Devices            |                      |
| Meets or exceeds JEDEC Spec EIA/JESD78 IC Latchup Test        |                        |                      |

1. For additional information, see Application Note AND8003/D.

# MC10EP17, MC100EP17

**Table 3. MAXIMUM RATINGS**

| Symbol           | Parameter  | Condition 1                                    | Condition 2  | Rating      | Unit         |
|------------------|--|--|--|-------------|--------------|
| V <sub>CC</sub>  | PECL Mode Power Supply                             | V <sub>EE</sub> = 0 V                          |  | 6           | V            |
| V <sub>EE</sub>  | NECL Mode Power Supply                             | V <sub>CC</sub> = 0 V                          |  | -6          | V            |
| V <sub>I</sub>   | PECL Mode Input Voltage<br>NECL Mode Input Voltage | V <sub>EE</sub> = 0 V<br>V <sub>CC</sub> = 0 V | V <sub>I</sub> ≤ V <sub>CC</sub><br>V <sub>I</sub> ≥ V <sub>EE</sub> | 6<br>-6     | V<br>V       |
| I <sub>out</sub> | Output Current                                     | Continuous<br>Surge                            |  | 50<br>100   | mA<br>mA     |
| I <sub>BB</sub>  | V <sub>BB</sub> Sink/Source                        |  |  | ± 0.5       | mA           |
| T <sub>A</sub>   | Operating Temperature Range                        |  |  | -40 to +85  | °C           |
| T <sub>stg</sub> | Storage Temperature Range                          |  |  | -65 to +150 | °C           |
| θ <sub>JA</sub>  | Thermal Resistance (Junction-to-Ambient)           | 0 lfpm<br>500 lfpm                             | 20 TSSOP<br>20 TSSOP   | 140<br>100  | °C/W<br>°C/W |
| θ <sub>JC</sub>  | Thermal Resistance (Junction-to-Case)              | Standard Board                                 | 20 TSSOP   | 23 to 41    | °C/W         |
| θ <sub>JA</sub>  | Thermal Resistance (Junction-to-Ambient)           | 0 lfpm<br>500 lfpm                             | 20 SOIC<br>20 SOIC   | 90<br>60    | °C/W<br>°C/W |
| θ <sub>JC</sub>  | Thermal Resistance (Junction-to-Case)              | Standard Board                                 | 20 SOIC  | 30 to 35    | °C/W         |
| θ <sub>JA</sub>  | Thermal Resistance (Junction-to-Ambient)           | 0 lfpm<br>500 lfpm                             | QFN-20<br>QFN-20   | 47<br>33    | °C/W<br>°C/W |
| θ <sub>JC</sub>  | Thermal Resistance (Junction-to-Case)              | Standard Board                                 | QFN-20   | 18          | °C/W         |
| T <sub>sol</sub> | Wave Solder<br>Pb<br>Pb-Free                       |  |  | 265<br>265  | °C           |

Stresses exceeding Maximum Ratings may damage the device. Maximum Ratings are stress ratings only. Functional operation above the Recommended Operating Conditions is not implied. Extended exposure to stresses above the Recommended Operating Conditions may affect device reliability.

**Table 4. 10EP DC CHARACTERISTICS, PECL V<sub>CC</sub> = 3.3 V, V<sub>EE</sub> = 0 V (Note 2)**

| Symbol             | Characteristic   | -40°C |      |      | 25°C |      |      | 85°C |      |      | Unit |
|--------------------|--|-------|------|------|------|------|------|------|------|------|------|
|                    |  | Min   | Typ  | Max  | Min  | Typ  | Max  | Min  | Typ  | Max  |      |
| I <sub>EE</sub>    | Power Supply Current   | 42    | 50   | 65   | 44   | 52   | 66   | 46   | 54   | 68   | mA   |
| V <sub>OH</sub>    | Output HIGH Voltage (Note 3)                                 | 2165  | 2290 | 2415 | 2230 | 2355 | 2480 | 2290 | 2415 | 2540 | mV   |
| V <sub>OL</sub>    | Output LOW Voltage (Note 3)                                  | 1365  | 1490 | 1615 | 1430 | 1555 | 1680 | 1490 | 1615 | 1740 | mV   |
| V <sub>IH</sub>    | Input HIGH Voltage (Single-Ended)                            | 2090  |      | 2415 | 2155 |      | 2480 | 2215 |      | 2540 | mV   |
| V <sub>IL</sub>    | Input LOW Voltage (Single-Ended)                             | 365   |      | 1690 | 1430 |      | 1755 | 1490 |      | 1815 | mV   |
| V <sub>BB</sub>    | Output Voltage Reference                                     | 1790  | 1890 | 1990 | 1855 | 1955 | 2055 | 1915 | 2015 | 2115 | mV   |
| V <sub>IHCMR</sub> | Input HIGH Voltage Common Mode Range (Differential) (Note 4) | 2.0   |      | 3.3  | 2.0  |      | 3.3  | 2.0  |      | 3.3  | V    |
| I <sub>IH</sub>    | Input HIGH Current   |       |      | 150  |      |      | 150  |      |      | 150  | μA   |
| I <sub>IL</sub>    | Input LOW Current  | 0.5   |      |      | 0.5  |      |      | 0.5  |      |      | μA   |

NOTE: Device will meet the specifications after thermal equilibrium has been established when mounted in a test socket or printed circuit board with maintained transverse airflow greater than 500 lfpm. Electrical parameters are guaranteed only over the declared operating temperature range. Functional operation of the device exceeding these conditions is not implied. Device specification limit values are applied individually under normal operating conditions and not valid simultaneously.

- Input and output parameters vary 1:1 with V<sub>CC</sub>. V<sub>EE</sub> can vary +0.3 V to -2.2 V.
- All loading with 50 Ω to V<sub>CC</sub> - 2.0 V.
- V<sub>IHCMR</sub> min varies 1:1 with V<sub>EE</sub>. V<sub>IHCMR</sub> max varies 1:1 with V<sub>CC</sub>. The V<sub>IHCMR</sub> range is referenced to the most positive side of the differential input signal.

# MC10EP17, MC100EP17

**Table 5. 10EP DC CHARACTERISTICS, PECL**  $V_{CC} = 5.0\text{ V}$ ,  $V_{EE} = 0\text{ V}$  (Note 5)

| Symbol      | Characteristic   | -40°C |      |      | 25°C |      |      | 85°C |      |      | Unit          |
|-------------|--|-------|------|------|------|------|------|------|------|------|---------------|
|             |  | Min   | Typ  | Max  | Min  | Typ  | Max  | Min  | Typ  | Max  |               |
| $I_{EE}$    | Power Supply Current   | 42    | 50   | 65   | 44   | 52   | 66   | 46   | 54   | 68   | mA            |
| $V_{OH}$    | Output HIGH Voltage (Note 6)                                 | 3865  | 3990 | 4115 | 3930 | 4055 | 4180 | 3990 | 4115 | 4240 | mV            |
| $V_{OL}$    | Output LOW Voltage (Note 6)                                  | 3065  | 3190 | 3315 | 3130 | 3255 | 3380 | 3190 | 3315 | 3440 | mV            |
| $V_{IH}$    | Input HIGH Voltage (Single-Ended)                            | 3790  |      | 4115 | 3855 |      | 4180 | 3915 |      | 4240 | mV            |
| $V_{IL}$    | Input LOW Voltage (Single-Ended)                             | 3065  |      | 3390 | 3130 |      | 3455 | 3190 |      | 3515 | mV            |
| $V_{BB}$    | Output Voltage Reference                                     | 3490  | 3590 | 3690 | 3555 | 3655 | 3755 | 3615 | 3715 | 3815 | mV            |
| $V_{IHCMR}$ | Input HIGH Voltage Common Mode Range (Differential) (Note 7) | 2.0   |      | 5.0  | 2.0  |      | 5.0  | 2.0  |      | 5.0  | V             |
| $I_{IH}$    | Input HIGH Current   |       |      | 150  |      |      | 150  |      |      | 150  | $\mu\text{A}$ |
| $I_{IL}$    | Input LOW Current  | 0.5   |      |      | 0.5  |      |      | 0.5  |      |      | $\mu\text{A}$ |

NOTE: Device will meet the specifications after thermal equilibrium has been established when mounted in a test socket or printed circuit board with maintained transverse airflow greater than 500 lfm. Electrical parameters are guaranteed only over the declared operating temperature range. Functional operation of the device exceeding these conditions is not implied. Device specification limit values are applied individually under normal operating conditions and not valid simultaneously.

5. Input and output parameters vary 1:1 with  $V_{CC}$ .  $V_{EE}$  can vary +2.0 V to -0.5 V.

6. All loading with 50  $\Omega$  to  $V_{CC} - 2.0\text{ V}$ .

7.  $V_{IHCMR}$  min varies 1:1 with  $V_{EE}$ .  $V_{IHCMR}$  max varies 1:1 with  $V_{CC}$ . The  $V_{IHCMR}$  range is referenced to the most positive side of the differential input signal.

**Table 6. 10EP DC CHARACTERISTICS, NECL**  $V_{CC} = 0\text{ V}$ ;  $V_{EE} = -5.5\text{ V}$  to  $-3.0\text{ V}$  (Note 8)

| Symbol      | Characteristic  | -40°C          |       |       | 25°C           |       |       | 85°C           |       |       | Unit          |
|-------------|---|----------------|-------|-------|----------------|-------|-------|----------------|-------|-------|---------------|
|             |   | Min            | Typ   | Max   | Min            | Typ   | Max   | Min            | Typ   | Max   |               |
| $I_{EE}$    | Power Supply Current  | 42             | 50    | 65    | 44             | 52    | 66    | 46             | 54    | 68    | mA            |
| $V_{OH}$    | Output HIGH Voltage (Note 9)                                  | -1135          | -1010 | -885  | -1070          | -945  | -820  | -1010          | -885  | -760  | mV            |
| $V_{OL}$    | Output LOW Voltage (Note 9)                                   | -1935          | -1810 | -1685 | -1870          | -1745 | -1620 | -1810          | -1685 | -1560 | mV            |
| $V_{IH}$    | Input HIGH Voltage (Single-Ended)                             | -1210          |       | -885  | -1145          |       | -820  | -1085          |       | -760  | mV            |
| $V_{IL}$    | Input LOW Voltage (Single-Ended)                              | -1935          |       | -1610 | -1870          |       | -1545 | -1810          |       | -1485 | mV            |
| $V_{BB}$    | Output Voltage Reference                                      | -1510          | -1410 | -1310 | -1445          | -1345 | -1245 | -1385          | -1285 | -1185 | mV            |
| $V_{IHCMR}$ | Input HIGH Voltage Common Mode Range (Differential) (Note 10) | $V_{EE} + 2.0$ |       | 0.0   | $V_{EE} + 2.0$ |       | 0.0   | $V_{EE} + 2.0$ |       | 0.0   | V             |
| $I_{IH}$    | Input HIGH Current  |                |       | 150   |                |       | 150   |                |       | 150   | $\mu\text{A}$ |
| $I_{IL}$    | Input LOW Current   | 0.5            |       |       | 0.5            |       |       | 0.5            |       |       | $\mu\text{A}$ |

NOTE: Device will meet the specifications after thermal equilibrium has been established when mounted in a test socket or printed circuit board with maintained transverse airflow greater than 500 lfm. Electrical parameters are guaranteed only over the declared operating temperature range. Functional operation of the device exceeding these conditions is not implied. Device specification limit values are applied individually under normal operating conditions and not valid simultaneously.

8. Input and output parameters vary 1:1 with  $V_{CC}$ .

9. All loading with 50  $\Omega$  to  $V_{CC} - 2.0\text{ V}$ .

10.  $V_{IHCMR}$  min varies 1:1 with  $V_{EE}$ .  $V_{IHCMR}$  max varies 1:1 with  $V_{CC}$ . The  $V_{IHCMR}$  range is referenced to the most positive side of the differential input signal.

# MC10EP17, MC100EP17

**Table 7. 100EP DC CHARACTERISTICS, PECL**  $V_{CC} = 3.3\text{ V}$ ,  $V_{EE} = 0\text{ V}$  (Note 11)

| Symbol      | Characteristic  | -40°C |      |      | 25°C |      |      | 85°C |      |      | Unit          |
|-------------|---|-------|------|------|------|------|------|------|------|------|---------------|
|             |   | Min   | Typ  | Max  | Min  | Typ  | Max  | Min  | Typ  | Max  |               |
| $I_{EE}$    | Power Supply Current  | 47    | 55   | 63   | 50   | 58   | 66   | 54   | 62   | 70   | mA            |
| $V_{OH}$    | Output HIGH Voltage (Note 12)                                 | 2155  | 2280 | 2405 | 2155 | 2280 | 2405 | 2155 | 2280 | 2405 | mV            |
| $V_{OL}$    | Output LOW Voltage (Note 12)                                  | 1355  | 1480 | 1605 | 1355 | 1480 | 1605 | 1355 | 1480 | 1605 | mV            |
| $V_{IH}$    | Input HIGH Voltage (Single-Ended)                             | 2075  |      | 2420 | 2075 |      | 2420 | 2075 |      | 2420 | mV            |
| $V_{IL}$    | Input LOW Voltage (Single-Ended)                              | 1355  |      | 1675 | 1355 |      | 1675 | 1355 |      | 1675 | mV            |
| $V_{BB}$    | Output Voltage Reference                                      | 1775  | 1875 | 1975 | 1775 | 1875 | 1975 | 1775 | 1875 | 1975 | mV            |
| $V_{IHCMR}$ | Input HIGH Voltage Common Mode Range (Differential) (Note 13) | 2.0   |      | 3.3  | 2.0  |      | 3.3  | 2.0  |      | 3.3  | V             |
| $I_{IH}$    | Input HIGH Current  |       |      | 150  |      |      | 150  |      |      | 150  | $\mu\text{A}$ |
| $I_{IL}$    | Input LOW Current   | 0.5   |      |      | 0.5  |      |      | 0.5  |      |      | $\mu\text{A}$ |

NOTE: Device will meet the specifications after thermal equilibrium has been established when mounted in a test socket or printed circuit board with maintained transverse airflow greater than 500 lfm. Electrical parameters are guaranteed only over the declared operating temperature range. Functional operation of the device exceeding these conditions is not implied. Device specification limit values are applied individually under normal operating conditions and not valid simultaneously.

11. Input and output parameters vary 1:1 with  $V_{CC}$ .  $V_{EE}$  can vary +0.3 V to -2.2 V.

12. All loading with  $50\ \Omega$  to  $V_{CC} - 2.0\text{ V}$ .

13.  $V_{IHCMR}$  min varies 1:1 with  $V_{EE}$ .  $V_{IHCMR}$  max varies 1:1 with  $V_{CC}$ . The  $V_{IHCMR}$  range is referenced to the most positive side of the differential input signal.

**Table 8. 100EP DC CHARACTERISTICS, PECL**  $V_{CC} = 5.0\text{ V}$ ,  $V_{EE} = 0\text{ V}$  (Note 14)

| Symbol      | Characteristic  | -40°C |      |      | 25°C |      |      | 85°C |      |      | Unit          |
|-------------|---|-------|------|------|------|------|------|------|------|------|---------------|
|             |   | Min   | Typ  | Max  | Min  | Typ  | Max  | Min  | Typ  | Max  |               |
| $I_{EE}$    | Power Supply Current  | 47    | 55   | 63   | 50   | 58   | 66   | 54   | 62   | 70   | mA            |
| $V_{OH}$    | Output HIGH Voltage (Note 15)                                 | 3855  | 3980 | 4105 | 3855 | 3980 | 4105 | 3855 | 3980 | 4105 | mV            |
| $V_{OL}$    | Output LOW Voltage (Note 15)                                  | 3055  | 3180 | 3305 | 3055 | 3180 | 3305 | 3055 | 3180 | 3305 | mV            |
| $V_{IH}$    | Input HIGH Voltage (Single-Ended)                             | 3775  |      | 4120 | 3775 |      | 4120 | 3775 |      | 4120 | mV            |
| $V_{IL}$    | Input LOW Voltage (Single-Ended)                              | 3055  |      | 3375 | 3055 |      | 3375 | 3055 |      | 3375 | mV            |
| $V_{BB}$    | Output Voltage Reference                                      | 3475  | 3575 | 3675 | 3475 | 3575 | 3675 | 3475 | 3575 | 3675 | mV            |
| $V_{IHCMR}$ | Input HIGH Voltage Common Mode Range (Differential) (Note 16) | 2.0   |      | 5.0  | 2.0  |      | 5.0  | 2.0  |      | 5.0  | V             |
| $I_{IH}$    | Input HIGH Current  |       |      | 150  |      |      | 150  |      |      | 150  | $\mu\text{A}$ |
| $I_{IL}$    | Input LOW Current   | 0.5   |      |      | 0.5  |      |      | 0.5  |      |      | $\mu\text{A}$ |

NOTE: Device will meet the specifications after thermal equilibrium has been established when mounted in a test socket or printed circuit board with maintained transverse airflow greater than 500 lfm. Electrical parameters are guaranteed only over the declared operating temperature range. Functional operation of the device exceeding these conditions is not implied. Device specification limit values are applied individually under normal operating conditions and not valid simultaneously.

14. Input and output parameters vary 1:1 with  $V_{CC}$ .  $V_{EE}$  can vary +2.0 V to -0.5 V.

15. All loading with  $50\ \Omega$  to  $V_{CC} - 2.0\text{ V}$ .

16.  $V_{IHCMR}$  min varies 1:1 with  $V_{EE}$ .  $V_{IHCMR}$  max varies 1:1 with  $V_{CC}$ . The  $V_{IHCMR}$  range is referenced to the most positive side of the differential input signal.

# MC10EP17, MC100EP17

**Table 9. 100EP DC CHARACTERISTICS, NECL**  $V_{CC} = 0\text{ V}$ ;  $V_{EE} = -5.5\text{ V}$  to  $-3.0\text{ V}$  (Note 17)

| Symbol      | Characteristic  | -40°C          |       |       | 25°C           |       |       | 85°C           |       |       | Unit          |
|-------------|---|----------------|-------|-------|----------------|-------|-------|----------------|-------|-------|---------------|
|             |   | Min            | Typ   | Max   | Min            | Typ   | Max   | Min            | Typ   | Max   |               |
| $I_{EE}$    | Power Supply Current  | 47             | 55    | 63    | 50             | 58    | 66    | 54             | 62    | 70    | mA            |
| $V_{OH}$    | Output HIGH Voltage (Note 18)                                 | -1145          | -1020 | -895  | -1145          | -1020 | -895  | -1145          | -1020 | -895  | mV            |
| $V_{OL}$    | Output LOW Voltage (Note 18)                                  | -1945          | -1820 | -1695 | -1945          | -1820 | -1695 | -1945          | -1820 | -1695 | mV            |
| $V_{IH}$    | Input HIGH Voltage (Single-Ended)                             | -1225          |       | -880  | -1225          |       | -880  | -1225          |       | -880  | mV            |
| $V_{IL}$    | Input LOW Voltage (Single-Ended)                              | -1945          |       | -1625 | -1945          |       | -1625 | -1945          |       | -1625 | mV            |
| $V_{BB}$    | Output Voltage Reference                                      | -1525          | -1425 | -1325 | -1525          | -1425 | -1325 | -1525          | -1425 | -1325 | mV            |
| $V_{IHCMR}$ | Input HIGH Voltage Common Mode Range (Differential) (Note 19) | $V_{EE} + 2.0$ |       | 0.0   | $V_{EE} + 2.0$ |       | 0.0   | $V_{EE} + 2.0$ |       | 0.0   | V             |
| $I_{IH}$    | Input HIGH Current  |                |       | 150   |                |       | 150   |                |       | 150   | $\mu\text{A}$ |
| $I_{IL}$    | Input LOW Current   | 0.5            |       |       | 0.5            |       |       | 0.5            |       |       | $\mu\text{A}$ |

NOTE: Device will meet the specifications after thermal equilibrium has been established when mounted in a test socket or printed circuit board with maintained transverse airflow greater than 500 lfpm. Electrical parameters are guaranteed only over the declared operating temperature range. Functional operation of the device exceeding these conditions is not implied. Device specification limit values are applied individually under normal operating conditions and not valid simultaneously.

17. Input and output parameters vary 1:1 with  $V_{CC}$ .

18. All loading with  $50\ \Omega$  to  $V_{CC} - 2.0\text{ V}$ .

19.  $V_{IHCMR}$  min varies 1:1 with  $V_{EE}$ .  $V_{IHCMR}$  max varies 1:1 with  $V_{CC}$ . The  $V_{IHCMR}$  range is referenced to the most positive side of the differential input signal.

**Table 10. AC CHARACTERISTICS**  $V_{CC} = 0\text{ V}$ ;  $V_{EE} = -3.0\text{ V}$  to  $-5.5\text{ V}$  or  $V_{CC} = 3.0\text{ V}$  to  $5.5\text{ V}$ ;  $V_{EE} = 0\text{ V}$  (Note 20)

| Symbol                   | Characteristic   | -40°C        |   |                                 | 25°C       |   |                                 | 85°C       |   |                                 | Unit |    |
|--------------------------|--|--------------|---|---------------------------------|------------|---|---------------------------------|------------|---|---------------------------------|------|----|
|                          |  | Min          | Typ                                       | Max                             | Min        | Typ                                       | Max                             | Min        | Typ                                       | Max                             |      |    |
| $f_{max}$                | Maximum Frequency (Figure 2)   |              | > 3                                       |                                 |            | > 3                                       |                                 |            | > 3                                       |                                 | GHz  |    |
| $t_{PLH}$ ,<br>$t_{PHL}$ | Propagation Delay to Output Differential<br>10 Series<br>100 Series  | 125<br>150   | 200<br>220                                | 275<br>300                      | 150<br>180 | 220<br>250                                | 300<br>320                      | 200<br>200 | 260<br>290                                | 350<br>360                      | ps   |    |
| $t_{JITTER}$             | CLOCK Random Jitter (RMS)<br>@ $\leq 1.0\text{ GHz}$<br>@ $\leq 1.5\text{ GHz}$<br>@ $\leq 2.0\text{ GHz}$<br>@ $\leq 2.5\text{ GHz}$<br>@ $\leq 3.0\text{ GHz}$ |              | 0.132<br>0.143<br>0.148<br>0.129<br>0.129 | 0.2<br>0.3<br>0.3<br>0.3<br>0.3 |            | 0.147<br>0.159<br>0.146<br>0.131<br>0.142 | 0.2<br>0.3<br>0.3<br>0.3<br>0.3 |            | 0.154<br>0.156<br>0.169<br>0.147<br>0.168 | 0.3<br>0.3<br>0.3<br>0.3<br>0.3 | ps   |    |
| $V_{PP}$                 | Input Voltage Swing<br>(Differential Configuration)  | 150          | 800                                       | 1200                            | 150        | 800                                       | 1200                            | 150        | 800                                       | 1200                            | mV   |    |
| $t_r$ ,<br>$t_f$         | Output Rise/Fall Times<br>(20% - 80%)  | Q, $\bar{Q}$ | 100                                       | 160                             | 220        | 100                                       | 170                             | 230        | 120                                       | 190                             | 250  | ps |

NOTE: Device will meet the specifications after thermal equilibrium has been established when mounted in a test socket or printed circuit board with maintained transverse airflow greater than 500 lfpm. Electrical parameters are guaranteed only over the declared operating temperature range. Functional operation of the device exceeding these conditions is not implied. Device specification limit values are applied individually under normal operating conditions and not valid simultaneously.

20. Measured using a 750 mV source, 50% duty cycle clock source. All loading with  $50\ \Omega$  to  $V_{CC} - 2.0\text{ V}$ .

# MC10EP17, MC100EP17

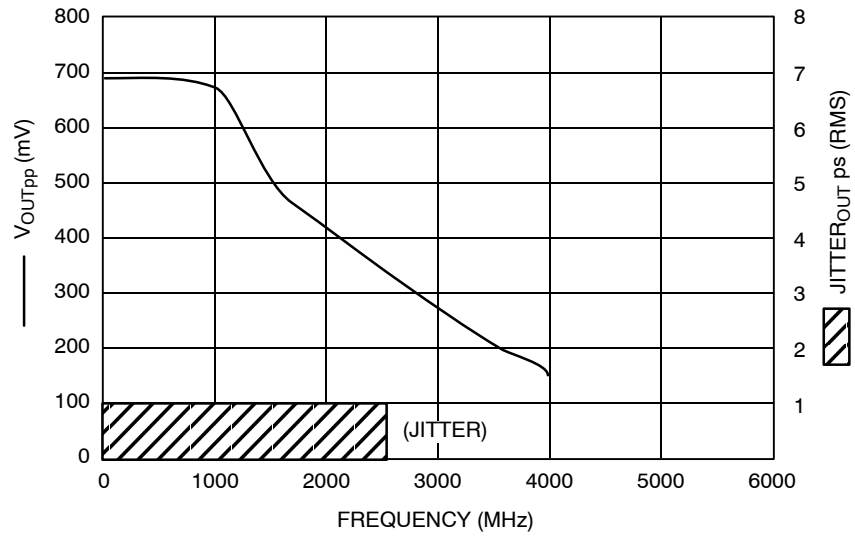


Figure 2.  $F_{max}/Jitter$

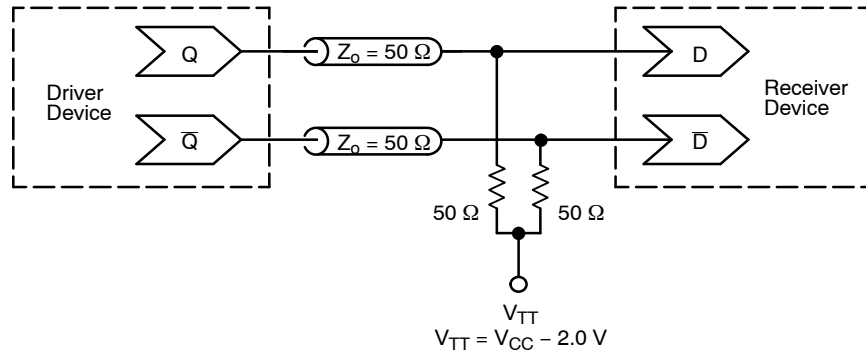


Figure 3. Typical Termination for Output Driver and Device Evaluation  
(See Application Note AND8020/D – Termination of ECL Logic Devices.)

# MC10EP17, MC100EP17

## ORDERING INFORMATION

| Device         | Package               | Shipping†          |
|----------------|-----------------------|--------------------|
| MC10EP17DT     | TSSOP-20              | 75 Units / Rail    |
| MC10EP17DTG    | TSSOP-20<br>(Pb-Free) | 75 Units / Rail    |
| MC10EP17DTR2   | TSSOP-20              | 2500 / Tape & Reel |
| MC10EP17DTR2G  | TSSOP-20<br>(Pb-Free) | 2500 / Tape & Reel |
| MC10EP17DW     | SOIC-20               | 38 Units / Rail    |
| MC10EP17DWG    | SOIC-20<br>(Pb-Free)  | 38 Units / Rail    |
| MC10EP17DWR2   | SOIC-20               | 1000 / Tape & Reel |
| MC10EP17DWR2G  | SOIC-20<br>(Pb-Free)  | 1000 / Tape & Reel |
| MC10EP17MNG    | QFN-20<br>(Pb-Free)   | 92 Units / Rail    |
| MC10EP17MNTXG  | QFN-20<br>(Pb-Free)   | 3000 / Tape & Reel |
| MC100EP17DT    | TSSOP-20              | 75 Units / Rail    |
| MC100EP17DTG   | TSSOP-20<br>(Pb-Free) | 75 Units / Rail    |
| MC100EP17DTR2  | TSSOP-20              | 2500 / Tape & Reel |
| MC100EP17DTR2G | TSSOP-20<br>(Pb-Free) | 2500 / Tape & Reel |
| MC100EP17DW    | SOIC-20               | 38 Units / Rail    |
| MC100EP17DWG   | SOIC-20<br>(Pb-Free)  | 38 Units / Rail    |
| MC100EP17DWR2  | SOIC-20               | 1000 / Tape & Reel |
| MC100EP17DWR2G | SOIC-20<br>(Pb-Free)  | 1000 / Tape & Reel |
| MC100EP17MNG   | QFN-20<br>(Pb-Free)   | 92 Units / Rail    |
| MC100EP17MNTXG | QFN-20<br>(Pb-Free)   | 3000 / Tape & Reel |

†For information on tape and reel specifications, including part orientation and tape sizes, please refer to our Tape and Reel Packaging Specifications Brochure, BRD8011/D.

### Resource Reference of Application Notes

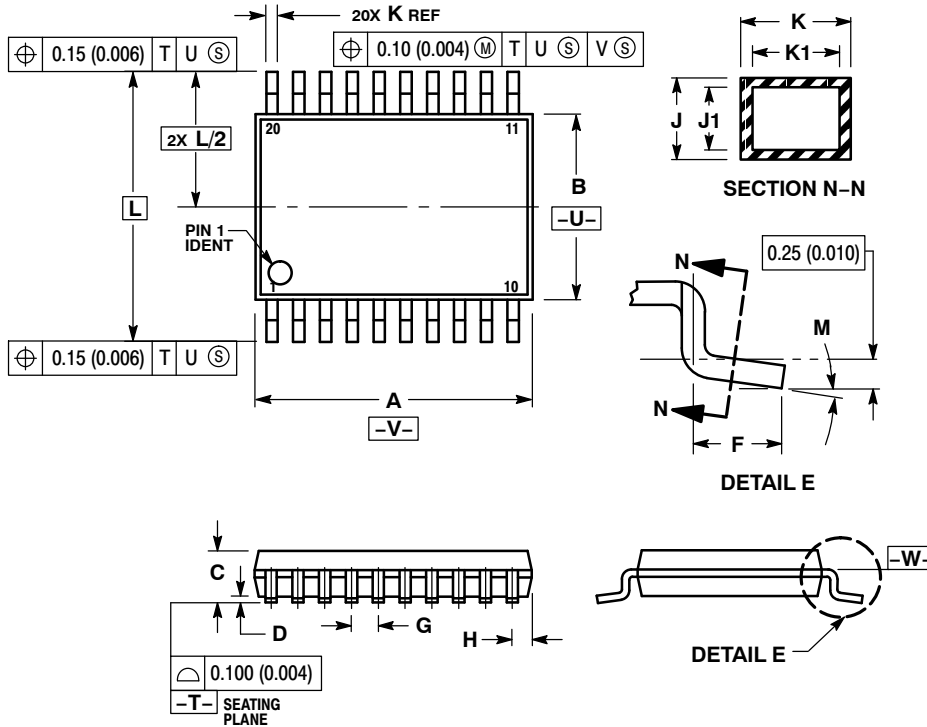
- AN1405/D** – ECL Clock Distribution Techniques
- AN1406/D** – Designing with PECL (ECL at +5.0 V)
- AN1503/D** – ECLinPS™ I/O SPiCE Modeling Kit
- AN1504/D** – Metastability and the ECLinPS Family
- AN1568/D** – Interfacing Between LVDS and ECL
- AN1672/D** – The ECL Translator Guide
- AND8001/D** – Odd Number Counters Design
- AND8002/D** – Marking and Date Codes
- AND8020/D** – Termination of ECL Logic Devices
- AND8066/D** – Interfacing with ECLinPS
- AND8090/D** – AC Characteristics of ECL Devices



# MC10EP17, MC100EP17

## PACKAGE DIMENSIONS

TSSOP-20  
CASE 948E-02  
ISSUE C

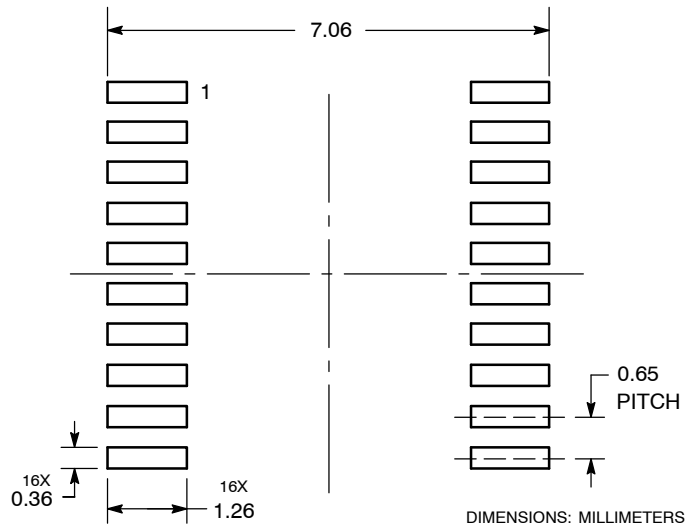


**NOTES:**

1. DIMENSIONING AND TOLERANCING PER ANSI Y14.5M, 1982.
2. CONTROLLING DIMENSION: MILLIMETER.
3. DIMENSION A DOES NOT INCLUDE MOLD FLASH, PROTRUSIONS OR GATE BURRS. MOLD FLASH OR GATE BURRS SHALL NOT EXCEED 0.15 (0.006) PER SIDE.
4. DIMENSION B DOES NOT INCLUDE INTERLEAD FLASH OR PROTRUSION. INTERLEAD FLASH OR PROTRUSION SHALL NOT EXCEED 0.25 (0.010) PER SIDE.
5. DIMENSION K DOES NOT INCLUDE DAMBAR PROTRUSION. ALLOWABLE DAMBAR PROTRUSION SHALL BE 0.08 (0.003) TOTAL IN EXCESS OF THE K DIMENSION AT MAXIMUM MATERIAL CONDITION.
6. TERMINAL NUMBERS ARE SHOWN FOR REFERENCE ONLY.
7. DIMENSION A AND B ARE TO BE DETERMINED AT DATUM PLANE -W-.

| DIM | MILLIMETERS |      | INCHES    |       |
|-----|-------------|------|-----------|-------|
|     | MIN         | MAX  | MIN       | MAX   |
| A   | 6.40        | 6.60 | 0.252     | 0.260 |
| B   | 4.30        | 4.50 | 0.169     | 0.177 |
| C   | ---         | 1.20 | ---       | 0.047 |
| D   | 0.05        | 0.15 | 0.002     | 0.006 |
| F   | 0.50        | 0.75 | 0.020     | 0.030 |
| G   | 0.65 BSC    |      | 0.026 BSC |       |
| H   | 0.27        | 0.37 | 0.011     | 0.015 |
| J   | 0.09        | 0.20 | 0.004     | 0.008 |
| J1  | 0.09        | 0.16 | 0.004     | 0.006 |
| K   | 0.19        | 0.30 | 0.007     | 0.012 |
| K1  | 0.19        | 0.25 | 0.007     | 0.010 |
| L   | 6.40 BSC    |      | 0.252 BSC |       |
| M   | 0°          | 8°   | 0°        | 8°    |

### SOLDERING FOOTPRINT\*

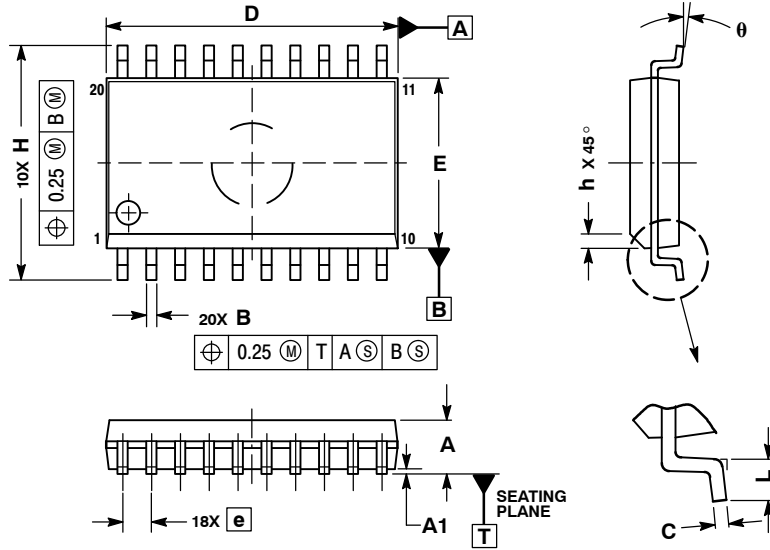


\*For additional information on our Pb-Free strategy and soldering details, please download the ON Semiconductor Soldering and Mounting Techniques Reference Manual, SOLDERRM/D.

# MC10EP17, MC100EP17

## PACKAGE DIMENSIONS

SO-20 WB  
CASE 751D-05  
ISSUE G



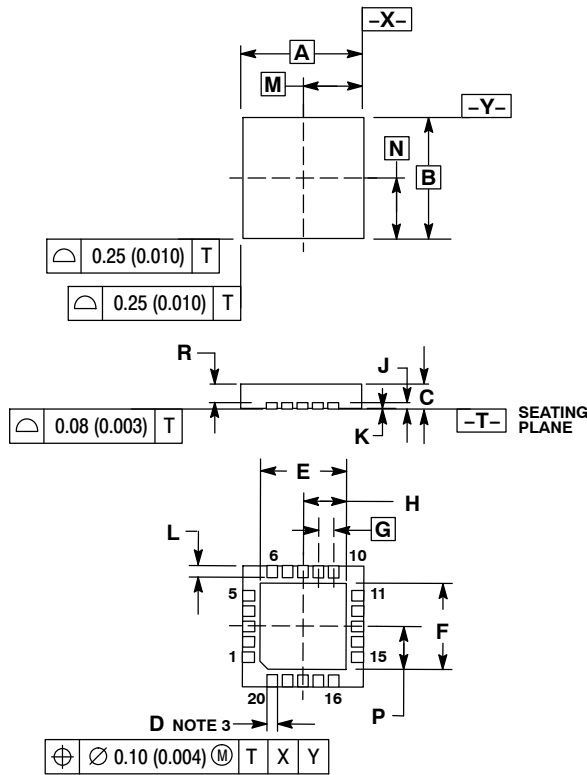
- NOTES:
1. DIMENSIONS ARE IN MILLIMETERS.
  2. INTERPRET DIMENSIONS AND TOLERANCES PER ASME Y14.5M, 1994.
  3. DIMENSIONS D AND E DO NOT INCLUDE MOLD PROTRUSION.
  4. MAXIMUM MOLD PROTRUSION 0.15 PER SIDE.
  5. DIMENSION B DOES NOT INCLUDE DAMBAR PROTRUSION. ALLOWABLE PROTRUSION SHALL BE 0.13 TOTAL IN EXCESS OF B DIMENSION AT MAXIMUM MATERIAL CONDITION.

| DIM      | MILLIMETERS |       |
|----------|-------------|-------|
|          | MIN         | MAX   |
| A        | 2.35        | 2.65  |
| A1       | 0.10        | 0.25  |
| B        | 0.35        | 0.49  |
| C        | 0.23        | 0.32  |
| D        | 12.65       | 12.95 |
| E        | 7.40        | 7.60  |
| e        | 1.27 BSC    |       |
| H        | 10.05       | 10.55 |
| h        | 0.25        | 0.75  |
| L        | 0.50        | 0.90  |
| $\theta$ | 0°          | 7°    |

# MC10EP17, MC100EP17

## PACKAGE DIMENSIONS

QFN-20  
CASE 485E-01  
ISSUE O



**NOTES:**

1. DIMENSIONING AND TOLERANCING PER ANSI Y14.5M, 1982.
2. CONTROLLING DIMENSION: MILLIMETERS.
3. DIMENSION D APPLIES TO PLATED TERMINAL AND IS MEASURED BETWEEN 0.25 AND 0.30 MM FROM TERMINAL.
4. COPLANARITY APPLIES TO THE EXPOSED PAD AS WELL AS THE TERMINALS.

| DIM | MILLIMETERS |      | INCHES    |       |
|-----|-------------|------|-----------|-------|
|     | MIN         | MAX  | MIN       | MAX   |
| A   | 4.00 BSC    |      | 0.157 BSC |       |
| B   | 4.00 BSC    |      | 0.157 BSC |       |
| C   | 0.80        | 1.00 | 0.031     | 0.039 |
| D   | 0.23        | 0.35 | 0.009     | 0.014 |
| E   | 2.75        | 2.85 | 0.108     | 0.112 |
| F   | 2.75        | 2.85 | 0.108     | 0.112 |
| G   | 0.50 BSC    |      | 0.020 BSC |       |
| H   | 1.38        | 1.43 | 0.054     | 0.056 |
| J   | 0.20 REF    |      | 0.008 REF |       |
| K   | 0.00        | 0.05 | 0.000     | 0.002 |
| L   | 0.35        | 0.45 | 0.014     | 0.018 |
| M   | 2.00 BSC    |      | 0.079 BSC |       |
| N   | 2.00 BSC    |      | 0.079 BSC |       |
| P   | 1.38        | 1.43 | 0.054     | 0.056 |
| R   | 0.60        | 0.80 | 0.024     | 0.031 |

ECLinPS is a trademark of Semiconductor Components Industries, LLC (SCILLC).

**ON Semiconductor** and are registered trademarks of Semiconductor Components Industries, LLC (SCILLC). SCILLC reserves the right to make changes without further notice to any products herein. SCILLC makes no warranty, representation or guarantee regarding the suitability of its products for any particular purpose, nor does SCILLC assume any liability arising out of the application or use of any product or circuit, and specifically disclaims any and all liability, including without limitation special, consequential or incidental damages. "Typical" parameters which may be provided in SCILLC data sheets and/or specifications can and do vary in different applications and actual performance may vary over time. All operating parameters, including "Typicals" must be validated for each customer application by customer's technical experts. SCILLC does not convey any license under its patent rights nor the rights of others. SCILLC products are not designed, intended, or authorized for use as components in systems intended for surgical implant into the body, or other applications intended to support or sustain life, or for any other application in which the failure of the SCILLC product could create a situation where personal injury or death may occur. Should Buyer purchase or use SCILLC products for any such unintended or unauthorized application, Buyer shall indemnify and hold SCILLC and its officers, employees, subsidiaries, affiliates, and distributors harmless against all claims, costs, damages, and expenses, and reasonable attorney fees arising out of, directly or indirectly, any claim of personal injury or death associated with such unintended or unauthorized use, even if such claim alleges that SCILLC was negligent regarding the design or manufacture of the part. SCILLC is an Equal Opportunity/Affirmative Action Employer. This literature is subject to all applicable copyright laws and is not for resale in any manner.

### PUBLICATION ORDERING INFORMATION

**LITERATURE FULFILLMENT:**  
Literature Distribution Center for ON Semiconductor  
P.O. Box 5163, Denver, Colorado 80217 USA  
**Phone:** 303-675-2175 or 800-344-3860 Toll Free USA/Canada  
**Fax:** 303-675-2176 or 800-344-3867 Toll Free USA/Canada  
**Email:** orderlit@onsemi.com

**N. American Technical Support:** 800-282-9855 Toll Free USA/Canada  
**Europe, Middle East and Africa Technical Support:**  
Phone: 421 33 790 2910  
**Japan Customer Focus Center**  
Phone: 81-3-5773-3850

**ON Semiconductor Website:** [www.onsemi.com](http://www.onsemi.com)  
**Order Literature:** <http://www.onsemi.com/orderlit>

For additional information, please contact your local Sales Representative

Компания «Life Electronics» занимается поставками электронных компонентов импортного и отечественного производства от производителей и со складов крупных дистрибьюторов Европы, Америки и Азии.

С конца 2013 года компания активно расширяет линейку поставок компонентов по направлению коаксиальный кабель, кварцевые генераторы и конденсаторы (керамические, пленочные, электролитические), за счёт заключения дистрибьюторских договоров

Мы предлагаем:

- Конкуренеспособные цены и скидки постоянным клиентам.
- Специальные условия для постоянных клиентов.
- Подбор аналогов.
- Поставку компонентов в любых объемах, удовлетворяющих вашим потребностям.
- Приемлемые сроки поставки, возможна ускоренная поставка.
- Доставку товара в любую точку России и стран СНГ.
- Комплексную поставку.
- Работу по проектам и поставку образцов.
- Формирование склада под заказчика.
- Сертификаты соответствия на поставляемую продукцию (по желанию клиента).
- Тестирование поставляемой продукции.
- Поставку компонентов, требующих военную и космическую приемку.
- Входной контроль качества.
- Наличие сертификата ISO.

В составе нашей компании организован Конструкторский отдел, призванный помогать разработчикам, и инженерам.

Конструкторский отдел помогает осуществить:

- Регистрацию проекта у производителя компонентов.
- Техническую поддержку проекта.
- Защиту от снятия компонента с производства.
- Оценку стоимости проекта по компонентам.
- Изготовление тестовой платы монтаж и пусконаладочные работы.



Тел: +7 (812) 336 43 04 (многоканальный)

Email: [org@lifeelectronics.ru](mailto:org@lifeelectronics.ru)