

Wirewound Resistors, Military, MIL-PRF-18546 Qualified, Type RE, Aluminum Housed, Chassis Mount


FEATURES

- Molded construction for total environmental protection
- Complete welded construction
- Qualified to MIL-PRF-18546
- Available in non-inductive styles (type N) with Aryton-Perry winding for lowest reactive components
- Mounts on chassis to utilize heat-sink effect
- Excellent stability in operation (< 1 % change in resistance)

STANDARD ELECTRICAL SPECIFICATIONS					
MILITARY MODEL	VISHAY REFERENCE MODEL	POWER RATING $P_{25^{\circ}\text{C}}$ W	RESISTANCE RANGE Ω	TOLERANCE $\pm \%$	WEIGHT (typical) g
RE60G	RH005	5	0.10 to 3.32K	1	3
RE60N	NH005	5	1.0 to 1.65K	1	3.3
RE65G	RH010	10	0.10 to 5.62K	1	6
RE65N	NH010	10	1.0 to 2.8K	1	8.8
RE70G	RH025	20	0.10 to 12.1K	1	13
RE70N	NH025	20	1.0 to 6.04K	1	16.5
RE75G	RH050	30	0.10 to 39.2K	1	28
RE75N	NH050	30	1.0 to 19.6K	1	35
RE77G	RH100	75	0.05 to 29.4K	1	350
RE77N	NH100	75	1.0 to 14.7K	1	385
RE80G	RH250	120	0.10 to 35.7K	1	630
RE80N	NH250	120	1.0 to 17.4K	1	690

TECHNICAL SPECIFICATIONS		
PARAMETER	UNIT	RE RESISTOR CHARACTERISTICS
Temperature Coefficient	ppm/ $^{\circ}\text{C}$	± 20 for 10 Ω and above; ± 50 for 1 Ω to 9.9 Ω ; ± 100 for 0.1 Ω to 0.99 Ω
Maximum Working Voltage	V	$(P \times R)^{1/2}$
Insulation Resistance	Ω	10 000 M Ω minimum dry, 1000 M Ω minimum after moisture test
Solderability	-	MIL-PRF-18546 type - meets requirements of ANSI J-STD-002
Operating Temperature Range	$^{\circ}\text{C}$	- 55 to + 250

MILITARY PART NUMBER INFORMATION			
Military Part Numbering example: RE77N1302J01			
R	E	7	7
N	1	3	0
2	J	0	1
MIL TYPE	CHARACTERISTIC	RESISTANCE VALUE	PACKAGING CODE
RE60 RE65 RE70 RE75 RE77 RE80	G = Inductive N = Non-inductive	3 digit significant figure, followed by a multiplier 49R9 = 49.9 Ω 1000 = 100 Ω 1001 = 1000 Ω 1302 = 13 000 Ω	C02 = Card pack J01 = Skin pack

Note

- Only tolerance available for RE type is $\pm 1 \%$

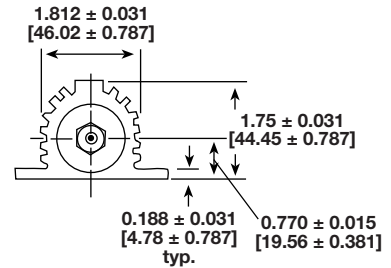
DIMENSIONS in inches [millimeters]



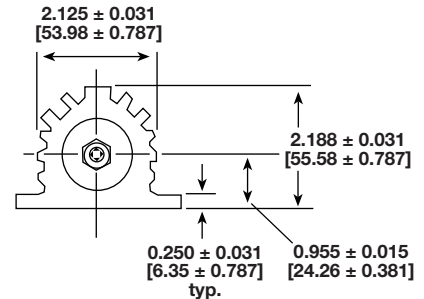
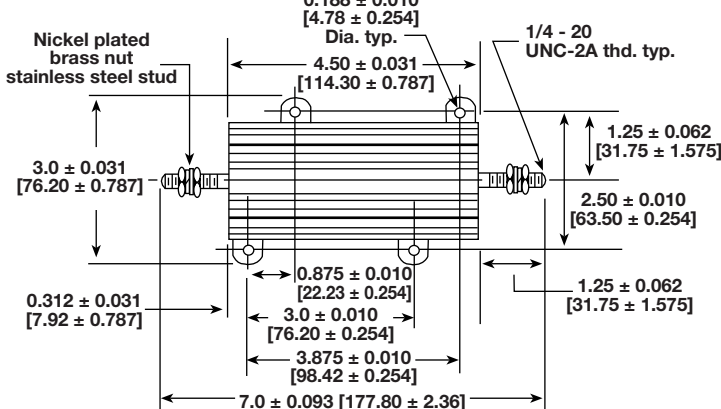
MILITARY MODEL	DIMENSIONS in inches [millimeters]													
	A	B	C	D	E	F	G	H	J	K	L	M	N	P
RE60	0.444 ± 0.005 [11.28 ± 0.127]	0.490 ± 0.005 [12.45 ± 0.127]	0.600 ± 0.030 [15.24 ± 0.787]	1.125 ± 0.062 [28.58 ± 1.57]	0.334 ± 0.015 [8.48 ± 0.381]	0.646 ± 0.015 [16.41 ± 0.381]	0.320 ± 0.015 [8.13 ± 0.381]	0.065 ± 0.010 [1.65 ± 0.254]	0.133 ± 0.010 [3.38 ± 0.254]	0.078 ± 0.010 [1.98 ± 0.254]	0.093 ± 0.005 [2.36 ± 0.127]	0.078 ± 0.015 [1.98 ± 0.381]	0.050 ± 0.005 [1.27 ± 0.127]	0.266 ± 0.062 [6.76 ± 1.57]
RE65	0.562 ± 0.005 [14.27 ± 0.127]	0.625 ± 0.005 [15.88 ± 0.127]	0.750 ± 0.031 [19.05 ± 0.787]	1.375 ± 0.062 [34.93 ± 1.57]	0.420 ± 0.015 [10.67 ± 0.381]	0.800 ± 0.015 [20.32 ± 0.381]	0.390 ± 0.015 [9.91 ± 0.381]	0.075 ± 0.010 [1.91 ± 0.254]	0.165 ± 0.010 [4.19 ± 0.254]	0.093 ± 0.010 [2.36 ± 0.254]	0.094 ± 0.005 [2.39 ± 0.127]	0.102 ± 0.015 [2.59 ± 0.381]	0.085 ± 0.005 [2.16 ± 0.127]	0.312 ± 0.062 [7.92 ± 1.57]
RE70	0.719 ± 0.005 [18.26 ± 0.127]	0.781 ± 0.005 [19.84 ± 0.127]	1.062 ± 0.031 [26.97 ± 0.787]	1.938 ± 0.062 [49.23 ± 1.57]	0.550 ± 0.015 [13.97 ± 0.381]	1.080 ± 0.015 [27.43 ± 0.381]	0.546 ± 0.015 [13.87 ± 0.381]	0.075 ± 0.010 [1.91 ± 0.254]	0.231 ± 0.010 [5.87 ± 0.254]	0.172 ± 0.010 [4.37 ± 0.254]	0.125 ± 0.005 [3.18 ± 0.127]	0.115 ± 0.015 [2.92 ± 0.381]	0.085 ± 0.005 [2.16 ± 0.127]	0.438 ± 0.062 [11.13 ± 1.57]
RE75	1.562 ± 0.005 [39.67 ± 0.127]	0.844 ± 0.005 [21.44 ± 0.127]	1.968 ± 0.031 [49.99 ± 0.787]	2.781 ± 0.062 [70.64 ± 1.57]	0.630 ± 0.015 [16.00 ± 0.381]	1.140 ± 0.015 [28.96 ± 0.381]	0.610 ± 0.015 [15.49 ± 0.381]	0.088 ± 0.010 [2.24 ± 0.254]	0.260 ± 0.010 [6.60 ± 0.254]	0.196 ± 0.010 [4.98 ± 0.254]	0.125 ± 0.005 [3.18 ± 0.127]	0.107 ± 0.015 [2.72 ± 0.381]	0.085 ± 0.005 [2.16 ± 0.127]	0.438 ± 0.062 [11.13 ± 1.57]

DIMENSIONS in inches [millimeters]

RE77



RE80





POWER RATING

Vishay RE resistor wattage ratings are based on mounting to the following heat sink:

- RE60 and RE65: 4" x 6" x 2" x 0.040" thick aluminum chassis
- RE70 and RE75: 5" x 7" x 2" x 0.040" thick aluminum chassis
- RE77 and RE80: 7" x 9" x 2" x 0.060" thick aluminum chassis

FREE AIR POWER RATING						
MILITARY MODEL	RE60	RE65	RE70	RE75	RE77	RE80
W at 25 °C	3	6	8	10	30	75

AMBIENT TEMPERATURE DERATING

Derating is required for ambient temperatures above 25 °C when mounted to specified heat sink, see the following graph.



REDUCED HEAT SINK DERATING

Derating is also required when recommended heat sink area is reduced.





MATERIAL SPECIFICATIONS

Element: Copper-nickel alloy or nickel-chrome alloy, depending on resistance value

Core: Ceramic, steatite or alumina, depending on physical size

Encapsulant: Silicone molded construction

Housing: Aluminum with hard anodic coating

End Caps: Stainless steel

Standard Terminals: For RE77 and RE80 terminals are threaded stainless steel. All others are 60/40 tin/lead (Sn/Pb) w/Nickel underplate on copper clad steel core terminal.

Part Marking: Dale, model, wattage, value, tolerance, date code

NON-INDUCTIVE (TYPE N)

Models of equivalent physical and electrical specifications are available with non-inductive (Aryton-Perry) winding. They are identified by substituting the letter N for G in the model number (RE60N, for example).

PERFORMANCE		
TEST	CONDITIONS OF TEST	TEST LIMITS
Thermal Shock	Rated power applied until thermally stable, then a minimum of 15 min at - 55 °C	$\pm (0.5 \% + 0.05 \Omega) \Delta R$
Short Time Overload	5 x rated power for 5 s	$\pm (0.5 \% + 0.05 \Omega) \Delta R$
Dielectric Withstanding Voltage	1000 V_{rms} for RE60, RE65 and RE70; 2000 V_{rms} for RE75; 4500 V_{rms} for RE77 and RE80; duration 1 min	$\pm (0.2 \% + 0.05 \Omega) \Delta R$
Temperature	250 °C for 2 h	$\pm (0.5 \% + 0.05 \Omega) \Delta R$
Moisture Resistance	MIL-STD-202 Method 106, 7b not applicable	$\pm (1.0 \% + 0.05 \Omega) \Delta R$
Shock, Specified Pulse	MIL-STD-202 Method 213, 100 g's for 6 ms, 10 shocks	$\pm (0.2 \% + 0.05 \Omega) \Delta R$
Vibration, High Frequency	Frequency varied 10 Hz to 2000 Hz, 20 g peak, 2 directions 6 h each	$\pm (0.2 \% + 0.05 \Omega) \Delta R$
Load Life	1000 h at rated power, + 25 °C, 1.5 h "ON", 0.5 h "OFF"	$\pm (1.0 \% + 0.05 \Omega) \Delta R$
Terminal Strength	30 s, 5 pound pull test for RE60 and RE65, 10 pound pull test for other sizes; torque test - 24 pound inch for RE77 and 32 pound inch for RE80	$\pm (0.2 \% + 0.05 \Omega) \Delta R$



Disclaimer

ALL PRODUCT, PRODUCT SPECIFICATIONS AND DATA ARE SUBJECT TO CHANGE WITHOUT NOTICE TO IMPROVE RELIABILITY, FUNCTION OR DESIGN OR OTHERWISE.

Vishay Intertechnology, Inc., its affiliates, agents, and employees, and all persons acting on its or their behalf (collectively, "Vishay"), disclaim any and all liability for any errors, inaccuracies or incompleteness contained in any datasheet or in any other disclosure relating to any product.

Vishay makes no warranty, representation or guarantee regarding the suitability of the products for any particular purpose or the continuing production of any product. To the maximum extent permitted by applicable law, Vishay disclaims (i) any and all liability arising out of the application or use of any product, (ii) any and all liability, including without limitation special, consequential or incidental damages, and (iii) any and all implied warranties, including warranties of fitness for particular purpose, non-infringement and merchantability.

Statements regarding the suitability of products for certain types of applications are based on Vishay's knowledge of typical requirements that are often placed on Vishay products in generic applications. Such statements are not binding statements about the suitability of products for a particular application. It is the customer's responsibility to validate that a particular product with the properties described in the product specification is suitable for use in a particular application. Parameters provided in datasheets and/or specifications may vary in different applications and performance may vary over time. All operating parameters, including typical parameters, must be validated for each customer application by the customer's technical experts. Product specifications do not expand or otherwise modify Vishay's terms and conditions of purchase, including but not limited to the warranty expressed therein.

Except as expressly indicated in writing, Vishay products are not designed for use in medical, life-saving, or life-sustaining applications or for any other application in which the failure of the Vishay product could result in personal injury or death. Customers using or selling Vishay products not expressly indicated for use in such applications do so at their own risk. Please contact authorized Vishay personnel to obtain written terms and conditions regarding products designed for such applications.

No license, express or implied, by estoppel or otherwise, to any intellectual property rights is granted by this document or by any conduct of Vishay. Product names and markings noted herein may be trademarks of their respective owners.

Material Category Policy

Vishay Intertechnology, Inc. hereby certifies that all its products that are identified as RoHS-Compliant fulfill the definitions and restrictions defined under Directive 2011/65/EU of The European Parliament and of the Council of June 8, 2011 on the restriction of the use of certain hazardous substances in electrical and electronic equipment (EEE) - recast, unless otherwise specified as non-compliant.

Please note that some Vishay documentation may still make reference to RoHS Directive 2002/95/EC. We confirm that all the products identified as being compliant to Directive 2002/95/EC conform to Directive 2011/65/EU.

Vishay Intertechnology, Inc. hereby certifies that all its products that are identified as Halogen-Free follow Halogen-Free requirements as per JEDEC JS709A standards. Please note that some Vishay documentation may still make reference to the IEC 61249-2-21 definition. We confirm that all the products identified as being compliant to IEC 61249-2-21 conform to JEDEC JS709A standards.

Компания «Life Electronics» занимается поставками электронных компонентов импортного и отечественного производства от производителей и со складов крупных дистрибьюторов Европы, Америки и Азии.

С конца 2013 года компания активно расширяет линейку поставок компонентов по направлению коаксиальный кабель, кварцевые генераторы и конденсаторы (керамические, пленочные, электролитические), за счёт заключения дистрибьюторских договоров

Мы предлагаем:

- Конкурентоспособные цены и скидки постоянным клиентам.
- Специальные условия для постоянных клиентов.
- Подбор аналогов.
- Поставку компонентов в любых объемах, удовлетворяющих вашим потребностям.
- Приемлемые сроки поставки, возможна ускоренная поставка.
- Доставку товара в любую точку России и стран СНГ.
- Комплексную поставку.
- Работу по проектам и поставку образцов.
- Формирование склада под заказчика.
- Сертификаты соответствия на поставляемую продукцию (по желанию клиента).
- Тестирование поставляемой продукции.
- Поставку компонентов, требующих военную и космическую приемку.
- Входной контроль качества.
- Наличие сертификата ISO.

В составе нашей компании организован Конструкторский отдел, призванный помогать разработчикам, и инженерам.

Конструкторский отдел помогает осуществить:

- Регистрацию проекта у производителя компонентов.
- Техническую поддержку проекта.
- Защиту от снятия компонента с производства.
- Оценку стоимости проекта по компонентам.
- Изготовление тестовой платы монтаж и пусконаладочные работы.



Тел: +7 (812) 336 43 04 (многоканальный)

Email: org@lifeelectronics.ru