

THIS DRAWING IS UNPUBLISHED. RELEASED FOR PUBLICATION SEP. 2005.
 © COPYRIGHT 2005 By - ALL RIGHTS RESERVED.

LOC	DIST	REVISIONS		
J	/	P	LTR	DESCRIPTION
				DATE
				DWN
				APVD
		F5		REVISED(ADD A NEW PN)
				23DEC2015
				A.X
				H.W

NOTICE: THIS COMMUNICATION INCLUDES TE CONNECTIVITY CONFIDENTIAL OR PROPRIETARY INFORMATION THAT MAY ALSO BE LEGALLY PRIVILEGED.


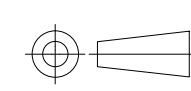
AVAILABLE	WITHOUT P/N	Au 0.1um MIN OVER PdNi 0.2um MIN	-	-	0.5	10.55	-	-	1.1	1.1	WITHOUT BOSS	EMBOSS PACKING (SEE SHEET 2)	WITHOUT FLANGE TYPE (SEE SHEET 6)	9-1747981-2
AVAILABLE	WITH P/N	Au 0.1um MIN OVER PdNi 0.2um MIN	-	M3 x 0.5	1.0	10.55	12.75	10.08	2.2	1.8	WITH BOSS	SOFT TRAY PACKING (SEE SHEET 4)	WITH FLANGE TYPE (SEE SHEET 7)	9-1747981-1
AVAILABLE	WITHOUT P/N	Au 0.1um MIN OVER PdNi 0.2um MIN	14.3	M3 x 0.5	0.5	10.05	10.95	7.98	2.2	1.8	WITHOUT BOSS	EMBOSS PACKING (SEE SHEET 3)	WITH FLANGE TYPE (SEE SHEET 7)	8-1747981-2 2-1747981-5
AVAILABLE	WITHOUT P/N	Au 0.1um MIN OVER PdNi 0.2um MIN	-	M3 x 0.5	0.5	10.05	10.95	7.98	2.2	1.8	WITHOUT BOSS	CLEAR TRAY PACKING (SEE SHEET 4)	WITH FLANGE TYPE (SEE SHEET 7)	8-1747981-1
AVAILABLE	WITHOUT P/N	Au 0.1um MIN OVER PdNi 0.2um MIN	-	M3 x 0.5	1.0	10.55	12.75	10.08	2.2	1.8	WITH BOSS	SOFT TRAY PACKING (SEE SHEET 4)	WITH FLANGE TYPE (SEE SHEET 7)	3-1747981-1
NOT AVAILABLE	WITHOUT P/N	Au 0.1um MIN OVER PdNi 0.2um MIN	16.3	#4-40 UNC	0.5	10.55	12.75	10.08	2.2	1.8	WITH BOSS	EMBOSS PACKING (SEE SHEET 3)	WITH FLANGE TYPE (SEE SHEET 7)	2-1747981-4
AVAILABLE	WITHOUT P/N	Au 0.76um MIN	16.3	M3 x 0.5	1.0	10.55	12.75	10.08	2.2	1.8	WITHOUT BOSS	EMBOSS PACKING (SEE SHEET 3)	WITH FLANGE TYPE (SEE SHEET 7)	2-1747981-3
NOT AVAILABLE	WITHOUT P/N	Au 0.1um MIN OVER PdNi 0.2um MIN	-	#4-40 UNC	0.5	10.05	12.75	10.08	2.2	1.8	WITHOUT BOSS	HARDTRAY PACKING (-)	WITH FLANGE TYPE (SEE SHEET 7)	2-1747981-2
AVAILABLE	WITHOUT P/N	Au 0.76um MIN	-	M3 x 0.5	1.0	10.55	12.75	10.08	2.2	1.8	WITHOUT BOSS	SOFT TRAY PACKING (SEE SHEET 4)	WITH FLANGE TYPE (SEE SHEET 7)	2-1747981-1
AVAILABLE	WITHOUT P/N	Au 0.1um MIN OVER PdNi 0.2um MIN	-	M3 x 0.5	1.0	10.55	12.75	10.08	1.5	1.5	WITHOUT BOSS	SOFT TRAY PACKING (SEE SHEET 4)	WITH FLANGE TYPE (SEE SHEET 7)	1-1747981-8
AVAILABLE	WITHOUT P/N	Au 0.1um MIN OVER PdNi 0.2um MIN	16.3	M3 x 0.5	1.0	10.55	12.75	10.08	2.2	1.8	WITHOUT BOSS	EMBOSS PACKING (SEE SHEET 3)	WITH FLANGE TYPE (SEE SHEET 7)	1-1747981-7
AVAILABLE	WITHOUT P/N	Au 0.1um MIN OVER PdNi 0.2um MIN	-	M3 x 0.5	0.5	10.05	10.95	7.98	2.2	1.8	WITHOUT BOSS	SOFT TRAY PACKING (SEE SHEET 5)	WITH FLANGE TYPE (SEE SHEET 7)	1-1747981-6
AVAILABLE	WITHOUT P/N	Au 0.1um MIN OVER PdNi 0.2um MIN	14.3	M3 x 0.5	0.5	10.05	10.95	7.98	1.5	1.5	WITHOUT BOSS	EMBOSS PACKING (SEE SHEET 3)	WITH FLANGE TYPE (SEE SHEET 7)	1-1747981-5
AVAILABLE	WITHOUT P/N	Au 0.1um MIN OVER PdNi 0.2um MIN	-	M3 x 0.5	1.0	10.55	12.75	10.08	2.2	1.8	WITHOUT BOSS	SOFT TRAY PACKING (SEE SHEET 4)	WITH FLANGE TYPE (SEE SHEET 7)	1-1747981-4
AVAILABLE	WITHOUT P/N	Au 0.1um MIN OVER PdNi 0.2um MIN	-	#4-40 UNC	0.5	10.05	12.75	10.08	2.2	1.8	WITHOUT BOSS	SOFT TRAY PACKING (SEE SHEET 4)	WITH FLANGE TYPE (SEE SHEET 7)	1-1747981-3
AVAILABLE	WITHOUT P/N	Au 0.1um MIN OVER PdNi 0.2um MIN	-	M3 x 0.5	0.5	10.05	10.95	7.98	1.5	1.5	WITHOUT BOSS	SOFT TRAY PACKING (SEE SHEET 4)	WITH FLANGE TYPE (SEE SHEET 7)	1-1747981-2
AVAILABLE	WITHOUT P/N	Au 0.1um MIN OVER PdNi 0.2um MIN	-	M3 x 0.5	0.5	10.05	10.95	7.98	2.2	1.8	WITHOUT BOSS	SOFT TRAY PACKING (SEE SHEET 4)	WITH FLANGE TYPE (SEE SHEET 7)	1-1747981-1
AVAILABLE	WITHOUT P/N	Au 0.1um MIN OVER PdNi 0.2um MIN	-	-	0.5	10.05	-	-	1.5	1.5	WITHOUT BOSS	EMBOSS PACKING (SEE SHEET 2)	WITHOUT FLANGE TYPE (SEE SHEET 6)	1747981-2
AVAILABLE	WITHOUT P/N	Au 0.1um MIN OVER PdNi 0.2um MIN	-	-	0.5	10.05	-	-	2.2	1.8	WITHOUT BOSS	EMBOSS PACKING (SEE SHEET 2)	WITHOUT FLANGE TYPE (SEE SHEET 6)	1747981-1

TOOL STATUS	PART NUMBER MARKING	CONTACT AREA PLATING SPEC J	DIM H	SCREW SIZE DIM G	DIM F	DIM E	DIM D	DIM C	DIM B	DIM A	BOSS	PACKING	CONNECTOR TYPE	PART NUMBER
-------------	---------------------	-----------------------------	-------	------------------	-------	-------	-------	-------	-------	-------	------	---------	----------------	-------------

1 CONTACT COPLANALITY IS 0.1 MAXIMUM.
 THIS DIMENSION MEANS CENTER OF THE POCKET.
 FINISH
 CONTACT: CONTACT AREA J: SEE TABLE
 2um MIN Sn PLATING ON SOLDERING AREA
 2um MIN Ni UNDER PLATING ALL OVER
 SHELL: 1um MIN Sn PLATING ALL OVER
 1um MIN Ni UNDER PLATING ALL OVER

REFER TO THE TABLE FOR BOSS.
 SCREW SIZE
 PART NUMBER MAKING

THIS DRAWING IS A CONTROLLED DOCUMENT.

DIMENSIONS: 单位: 毫米 mm	TOLERANCES UNLESS OTHERWISE SPECIFIED: 一般公差	DWN Y.HIRATA 15SEP2005	 TE Connectivity
	0 PLC ± 0.2	CHK T.KIMURA 15SEP2005	
	1 PLC ± 0.2	APVD K.IKEGAMI 15SEP2005	
	2 PLC ± 0.2	NAME 名称	
3 PLC ± 0.2	PRODUCT SPEC 製品規格	HDMI 19 POS RECEPTACLE ASSY SMT TYPE -LEAD FREE-	
4 PLC ± 0.2	APPLICATION SPEC 取付適用規格	SIZE CAGE CODE DRAWING NO 番号	
ANGLES ±	FINISH 仕上	A3 00779 C-1747981	
MATERIAL 材料	WEIGHT	RESTRICTED TO	
CUSTOMER DRAWING		SCALE 尺度 NTS SHEET 1 OF 8 REV F5	

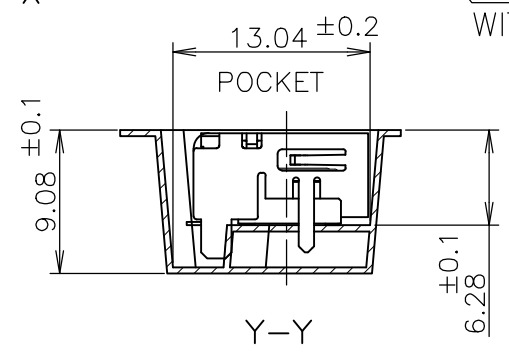
THIS DRAWING IS UNPUBLISHED. RELEASED FOR PUBLICATION SEP ,2005.
 © COPYRIGHT 2005 By - ALL RIGHTS RESERVED.

LOC	DIST	REVISIONS		
J	/	P	LTR	DESCRIPTION
		-	SEE SHEET 1	DATE
				DWN
				APVD

NOTICE: THIS COMMUNICATION INCLUDES TE CONNECTIVITY CONFIDENTIAL OR PROPRIETARY INFORMATION THAT MAY ALSO BE LEGALLY PRIVILEGED.



LABEL DESCRIPTION
 TE CONNECTIVITY P/N.: 1747981-*
 QTY: 300 pcs
 D/C:
 MADE IN CHINA



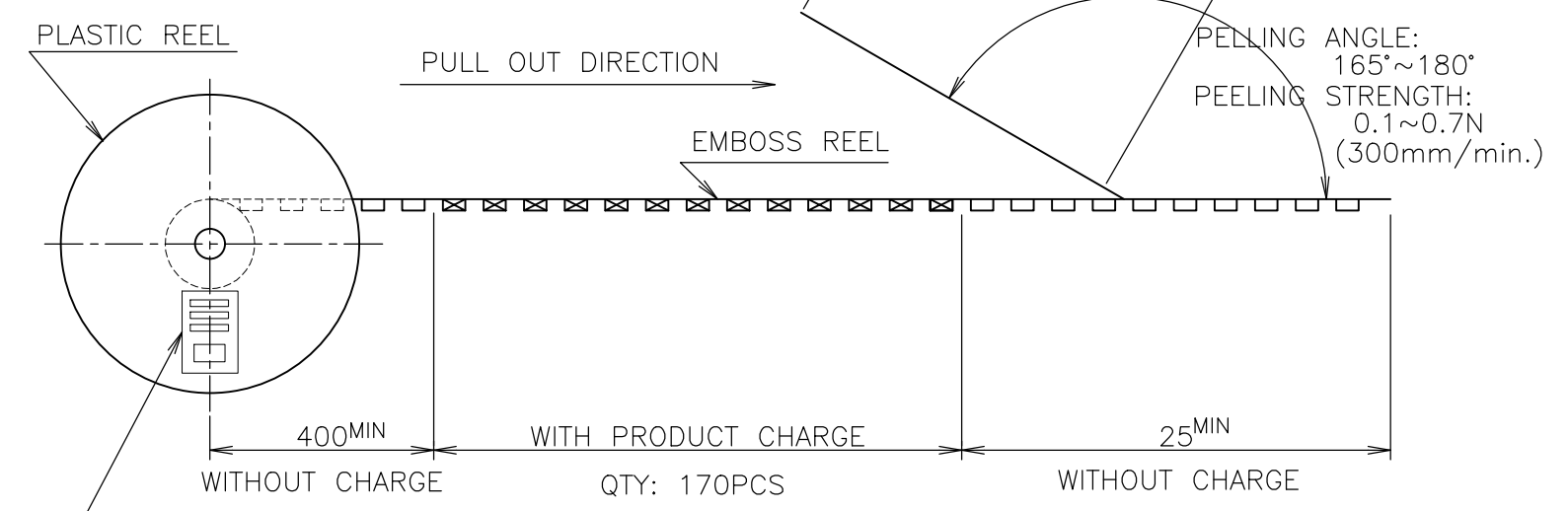
300	WITHOUT FLANGE TYPE	9-1747981-2
300	WITHOUT FLANGE TYPE	1747981-2
300	WITHOUT FLANGE TYPE	1747981-1
QTY	CONNECTOR TYPE	PART NUMBER

THIS DRAWING IS A CONTROLLED DOCUMENT.		DWN	TE Connectivity HDMI 19 POS RECEPTACLE ASSY SMT TYPE -LEAD FREE-			
DIMENSIONS: 單位: 耗 mm		CHK				NAME 名稱
TOLERANCES UNLESS OTHERWISE SPECIFIED: 一般公差		APVD				PRODUCT SPEC 製品規格
0 PLC ± 0.2 1 PLC ± 0.2 2 PLC ± 0.2 3 PLC ± 0.2 4 PLC ± 0.2 ANGLES ± -		108-78180-1 APPLICATION SPEC 取付適用規格				SIZE
MATERIAL 材料	FINISH 仕上	WEIGHT	CAGE CODE	DRAWING NO 番号	RESTRICTED TO	
CUSTOMER DRAWING			A300779	G-1747981		
SCALE 尺度 NTS			SHEET 2 OF 8	REV F5		

THIS DRAWING IS UNPUBLISHED. RELEASED FOR PUBLICATION SEP , 2005.
 © COPYRIGHT 2005 By - ALL RIGHTS RESERVED.

LOC	DIST	REVISIONS		
J	/	P	LTR	DESCRIPTION
		-		SEE SHEET 1
			DATE	DWN
			-	-
			APVD	-

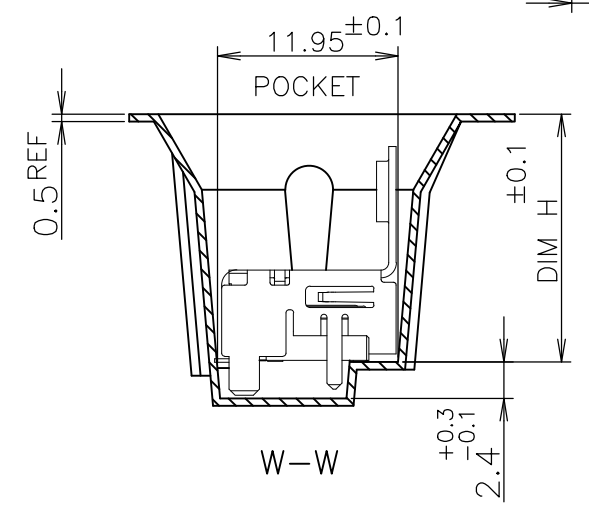
NOTICE: THIS COMMUNICATION INCLUDES TE CONNECTIVITY CONFIDENTIAL OR PROPRIETARY INFORMATION THAT MAY ALSO BE LEGALLY PRIVILEGED.



PLASTIC REEL
 PULL OUT DIRECTION
 EMBOSS REEL
 WEEDING THE COVER TAPE : 300 MIN (NOT INCLUDE EMPTINESS POCKET)
 PELLING ANGLE: 165°~180°
 PEELING STRENGTH: 0.1~0.7N (300mm/min.)
 400MIN WITHOUT CHARGE
 WITH PRODUCT CHARGE QTY: 170PCS
 25MIN WITHOUT CHARGE
 LABEL DESCRIPTION
 TE CONNECTIVITY P/N.: *-1747981-*
 QTY: 170 pcs
 D/C: MADE IN CHINA

CONNECTOR WITH FLANGE TYPE

DETAIL Z



170	WITH FLANGE TYPE	8-1747981-2
170	WITH FLANGE TYPE	2-1747981-5
170	WITH FLANGE TYPE	2-1747981-4
170	WITH FLANGE TYPE	2-1747981-3
170	WITH FLANGE TYPE	1-1747981-7
170	WITH FLANGE TYPE	1-1747981-5
QTY	CONNECTOR TYPE	PART NUMBER

THIS DRAWING IS A CONTROLLED DOCUMENT.		DWN	STE TE Connectivity		
DIMENSIONS: 单位: 耗 mm		CHK			
TOLERANCES UNLESS OTHERWISE SPECIFIED: 一般公差		APVD	NAME 名称		
0 PLC ± 0.2		PRODUCT SPEC 製品規格		HDMI 19 POS	
1 PLC ± 0.2		108-78180-1		RECEPTACLE ASSY SMT TYPE	
2 PLC ± 0.2		APPLICATION SPEC 取付適用規格		-LEAD FREE-	
3 PLC ± 0.2		SIZE	CAGE CODE	DRAWING NO 番号	RESTRICTED TO
4 PLC ± 0.2		A3 00779		G-1747981	-
ANGLES ± -		CUSTOMER DRAWING		SCALE 尺度 NTS	SHEET 3 OF 8
FINISH 仕上				REV F5	

THIS DRAWING IS UNPUBLISHED. RELEASED FOR PUBLICATION SEP , 2005.
 © COPYRIGHT 2005 By - ALL RIGHTS RESERVED.

LOC	DIST	REVISIONS					
J	/	P	LTR	DESCRIPTION	DATE	DWN	APVD
		-		SEE SHEET 1	-	-	-



10 x 45°
 SOFT TRAY PACKING (MATERIAL: PS, THK=0.8mm) REF

70	WITH FLANGE TYPE	9-1747981-1
70	WITH FLANGE TYPE	8-1747981-1
70	WITH FLANGE TYPE	3-1747981-1
70	WITH FLANGE TYPE	2-1747981-1
70	WITH FLANGE TYPE	1-1747981-8
70	WITH FLANGE TYPE	1-1747981-4
70	WITH FLANGE TYPE	1-1747981-3
70	WITH FLANGE TYPE	1-1747981-2
70	WITH FLANGE TYPE	1-1747981-1
QTY	CONNECTOR TYPE	PART NUMBER

NOTICE: THIS COMMUNICATION INCLUDES TE CONNECTIVITY CONFIDENTIAL OR PROPRIETARY INFORMATION THAT MAY ALSO BE LEGALLY PRIVILEGED.

THIS DRAWING IS A CONTROLLED DOCUMENT.

DWN	TE Connectivity NAME 名称 HDMI 19 POS RECEPTACLE ASSY SMT TYPE -LEAD FREE-				
CHK					
APVD					
PRODUCT SPEC 製品規格 108-78180-1					
APPLICATION SPEC 取付適用規格	SIZE A3	CAGE CODE 00779	DRAWING NO 番号 C-1747981	RESTRICTED TO	
MATERIAL 材料	WEIGHT	SCALE 尺度 NTS		SHEET 4 OF 8	REV F5

CUSTOMER DRAWING

THIS DRAWING IS UNPUBLISHED. RELEASED FOR PUBLICATION SEP , 2005.
 © COPYRIGHT 2005 By - ALL RIGHTS RESERVED.

LOC	DIST	REVISIONS					
J	/	P	LTR	DESCRIPTION	DATE	DWN	APVD
		-		SEE SHEET 1	-	-	-



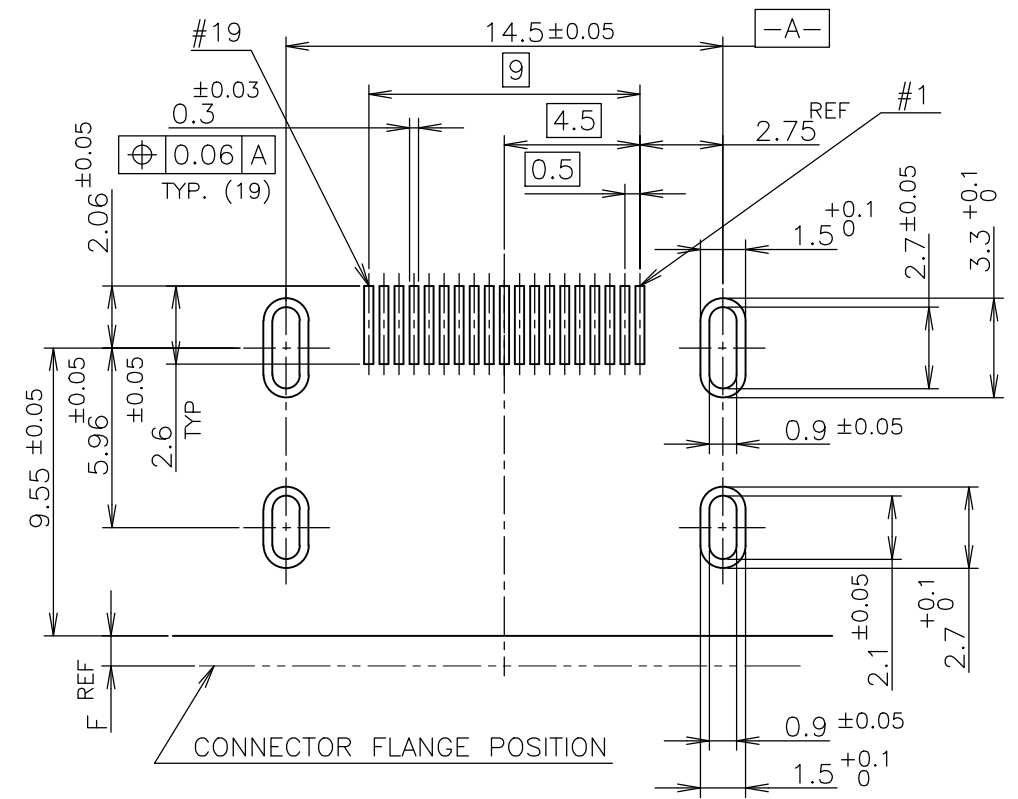
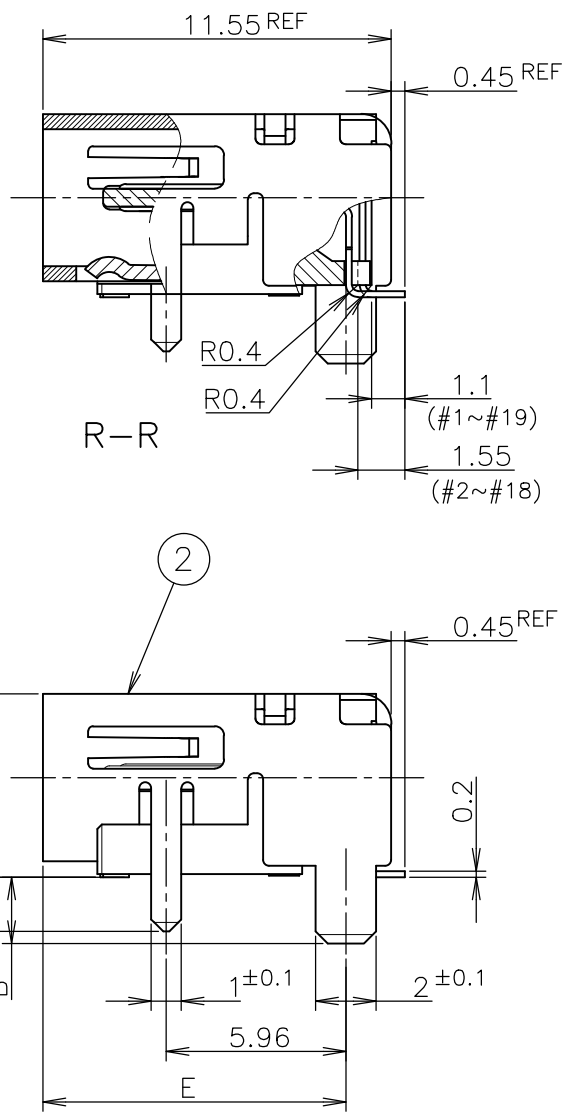
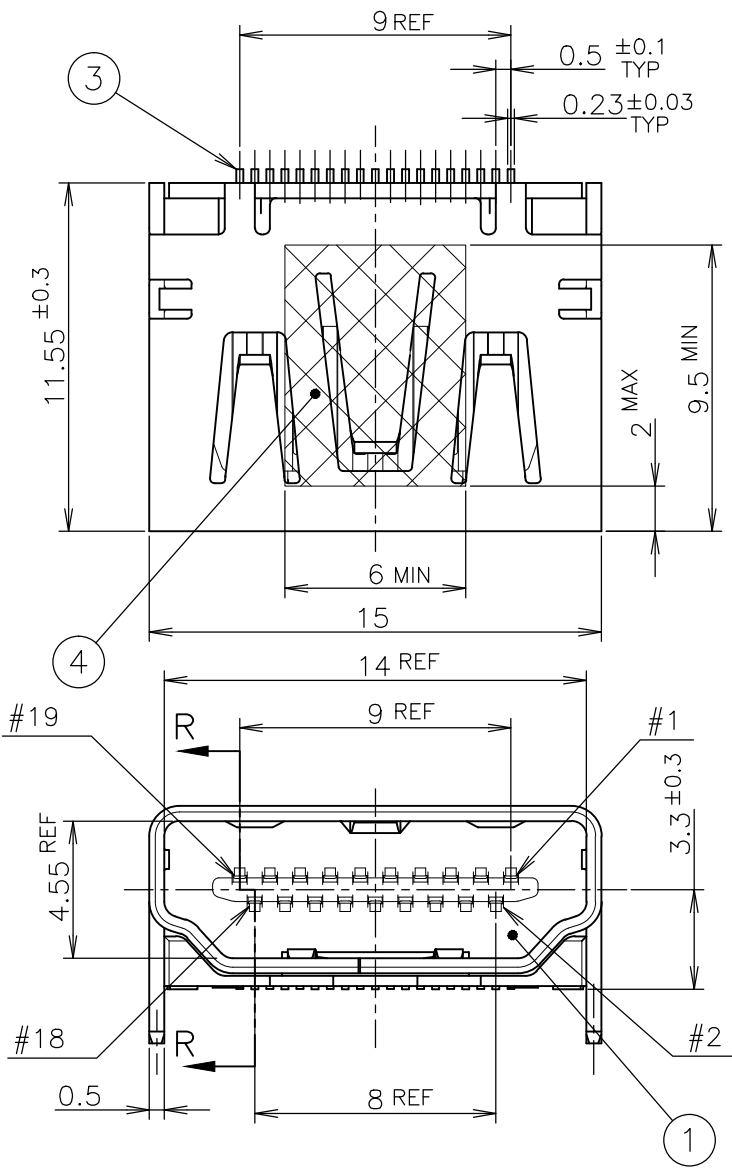
NOTICE: THIS COMMUNICATION INCLUDES TE CONNECTIVITY CONFIDENTIAL OR PROPRIETARY INFORMATION THAT MAY ALSO BE LEGALLY PRIVILEGED.

THIS DRAWING IS A CONTROLLED DOCUMENT.

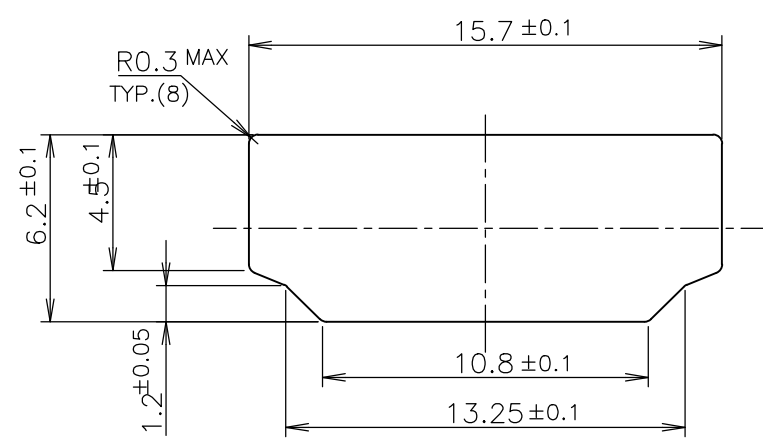
DIMENSIONS: 単位: 耗 mm	TOLERANCES UNLESS OTHERWISE SPECIFIED: 一般公差
	0 PLC ± 0.2 1 PLC ± 0.2 2 PLC ± 0.2 3 PLC ± 0.2 4 PLC ± 0.2 ANGLES ± -
MATERIAL 材料	FINISH 仕上

40	WITH FLANGE TYPE	1-1747981-6
QTY	CONNECTOR TYPE	PART NUMBER
DWN	STE TE Connectivity	
CHK		
APVD	NAME 名称	
PRODUCT SPEC 製品規格	HDMI 19 POS RECEPTACLE ASSY SMT TYPE -LEAD FREE-	
APPLICATION SPEC 取付適用規格	108-78180-1	
WEIGHT	SIZE A3	CAGE CODE 00779
CUSTOMER DRAWING	DRAWING NO 番号 C-1747981	RESTRICTED TO -
	SCALE 尺度 NTS	SHEET 5 OF 8
		REV F5

LOC	DIST	REVISIONS			DATE	DWN	APVD
		P	LTR	DESCRIPTION			
J				SEE SHEET 1	-	-	-



P.C.B LAYOUT
SHOWN AS CONNECTOR MOUNTING SIDE
TOLERANCE: NON-CUMULATIVE
(REFERENCE)



PANEL CUT OUT DIMENSION
(REFERENCE)

CONNECTOR WITHOUT FLANGE TYPE

NOTICE: THIS COMMUNICATION INCLUDES TE CONNECTIVITY CONFIDENTIAL OR PROPRIETARY INFORMATION THAT MAY ALSO BE LEGALLY PRIVILEGED.

FINISH	MATERIAL	QTY	DISCRIPTION	ITEM
	POLYIMIDE	1	POLYIMIDE TAPE	④
	COPPER ALLOY	19	CONTACT	③
	COPPER ALLOY	1	SHELL	②
	THERMOPLASTIC UL94V-0, BLACK COLOR	1	HOUSING	①

THIS DRAWING IS A CONTROLLED DOCUMENT.		DWN		TE Connectivity	
DIMENSIONS: 單位: 耗 mm		CHK			
TOLERANCES UNLESS OTHERWISE SPECIFIED: 一般公差		APVD		NAME 名称	
0 PLC ± 0.2		PRODUCT SPEC 製品規格		HDMI 19 POS	
1 PLC ± 0.2		APPLICATION SPEC 取付適用規格		RECEPTACLE ASSY SMT TYPE	
2 PLC ± 0.2		WEIGHT		-LEAD FREE-	
3 PLC ± 0.2		CUSTOMER DRAWING		SIZE	RESTRICTED TO
4 PLC ± 0.2		SCALE 尺度 4:1		CAGE CODE	REV F5
ANGLES ±		SHEET 6 of 8		DRAWING NO 番号	
FINISH 仕上		SCALE 尺度 4:1		A300779 C-1747981	

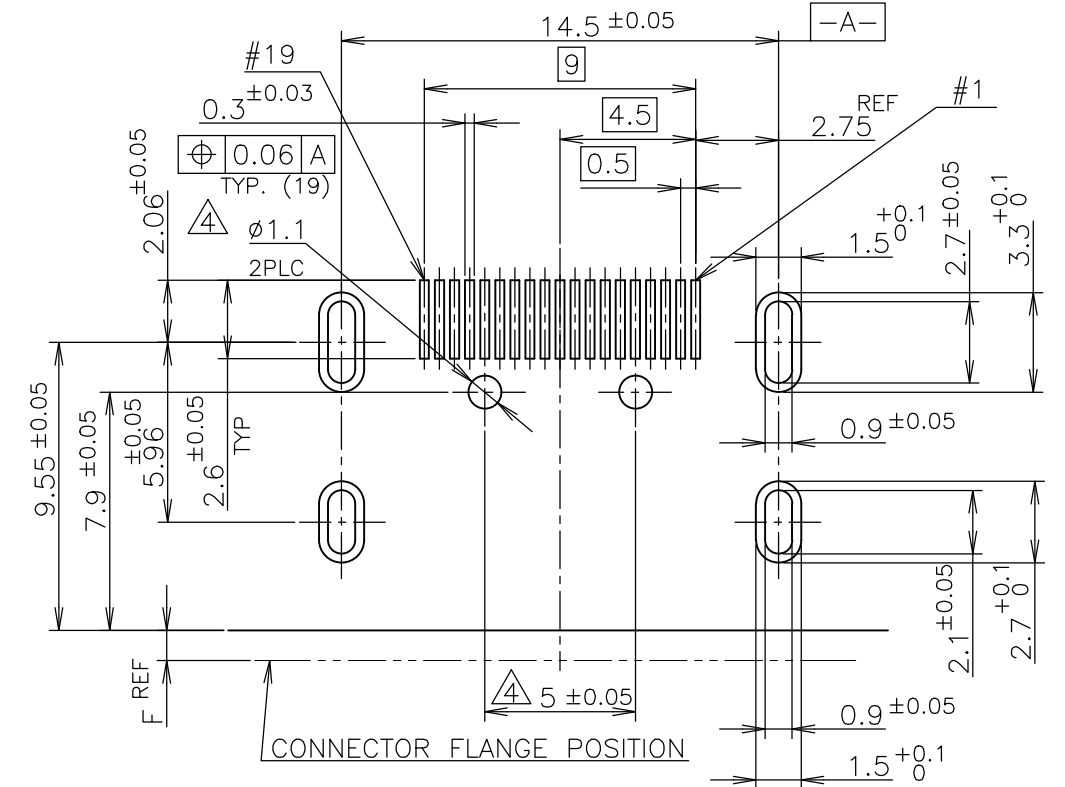
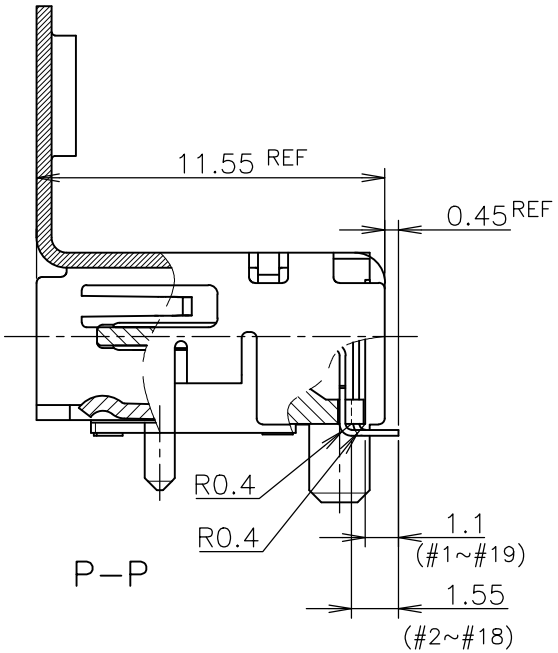
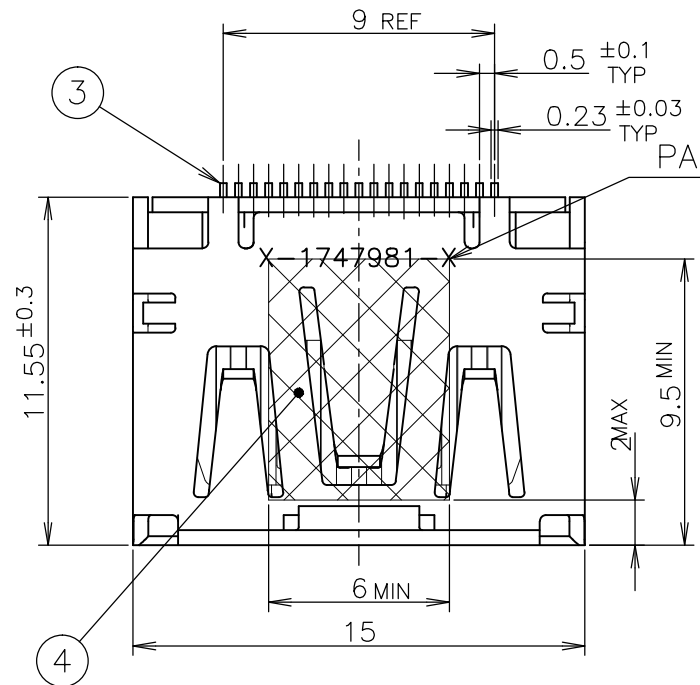
THIS DRAWING IS UNPUBLISHED.

RELEASED FOR PUBLICATION SEP. 2005.

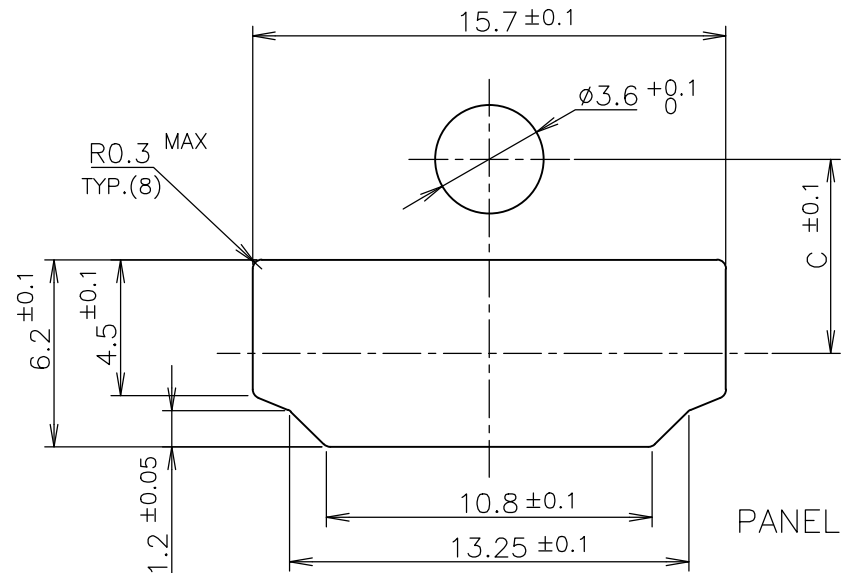
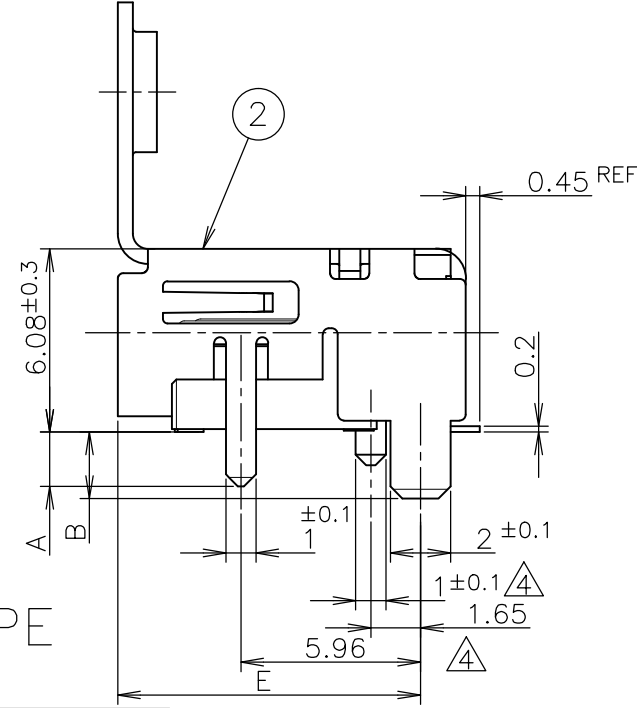
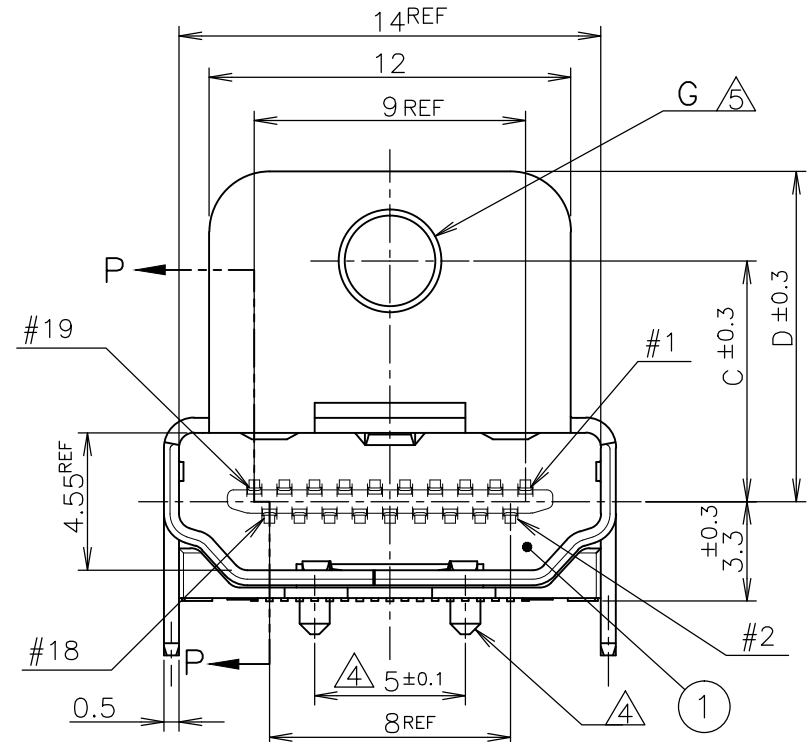
© COPYRIGHT 2005 By -

ALL RIGHTS RESERVED.

LOC	DIST	REVISIONS		
		P	LTR	DESCRIPTION
J		-	-	SEE SHEET 1



P.C.B LAYOUT
SHOWN AS CONNECTOR MOUNTING SIDE
TOLERANCE: NON-CUMULATIVE
(REFERENCE)



PANEL CUT OUT DIMENSION
(REFERENCE)

CONNECTOR WITH FLANGE TYPE

NOTICE: THIS COMMUNICATION INCLUDES TE CONNECTIVITY CONFIDENTIAL OR PROPRIETARY INFORMATION THAT MAY ALSO BE LEGALLY PRIVILEGED.

FINISH	MATERIAL	QTY	DISCRIPTION	ITEM
	POLYIMIDE	1	POLYIMIDE TAPE	④
	COPPER ALLOY	19	CONTACT	③
	COPPER ALLOY	1	SHELL	②
	THERMOPLASTIC UL94V-0, BLACK COLOR	1	HOUSING	①

THIS DRAWING IS A CONTROLLED DOCUMENT.

DIMENSIONS: 単位: 耗 mm	TOLERANCES UNLESS OTHERWISE SPECIFIED: 一般公差
	0 PLC ± 0.2
	1 PLC ± 0.2
	2 PLC ± 0.2
	3 PLC ± 0.2
	4 PLC ± 0.2
	ANGLES ±
MATERIAL 材料	FINISH 仕上

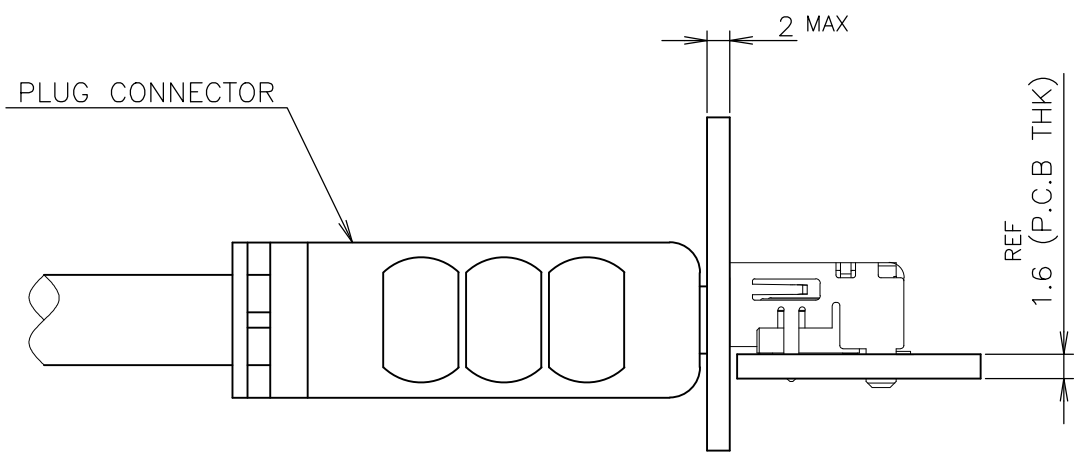
DWN
CHK
APVD
PRODUCT SPEC 製品規格 108-78180-1
APPLICATION SPEC 取付適用規格
WEIGHT
CUSTOMER DRAWING

TE Connectivity				NAME 名称	
				HDMI 19 POS RECEPTACLE ASSY SMT TYPE -LEAD FREE-	
SIZE	CAGE CODE	DRAWING NO 番号	RESTRICTED TO		
A3	00779	C-1747981			
SCALE 尺度 NTS		SHEET 7 of 8	REV F5		

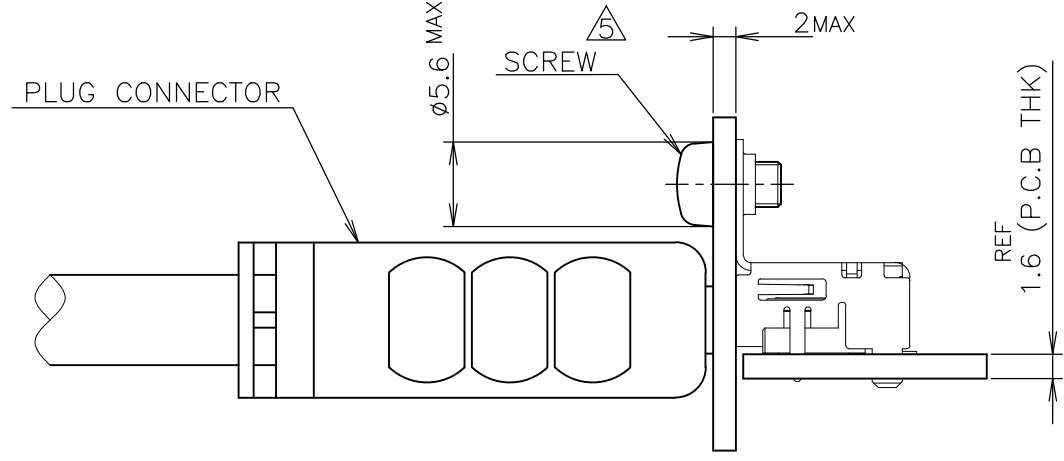
THIS DRAWING IS UNPUBLISHED. RELEASED FOR PUBLICATION SEP, 2005.
 © COPYRIGHT 2005 By - ALL RIGHTS RESERVED.

LOC	DIST	REVISIONS					
J	/	P	LTR	DESCRIPTION	DATE	DWN	APVD
		-		SEE SHEET 1	-	-	-

NOTICE: THIS COMMUNICATION INCLUDES TE CONNECTIVITY CONFIDENTIAL OR PROPRIETARY INFORMATION THAT MAY ALSO BE LEGALLY PRIVILEGED.



CONNECTOR WITHOUT FLANGE TYPE



CONNECTOR WITH FLANGE TYPE

MATING CONDITION (REFERENCE)
(SCALE 2:1)

THIS DRAWING IS A CONTROLLED DOCUMENT.		DWN	STE TE Connectivity		
DIMENSIONS: 単位: 耗 mm		CHK			
TOLERANCES UNLESS OTHERWISE SPECIFIED: 一般公差		APVD	NAME 名称		
0 PLC ± 0.2		PRODUCT SPEC	HDMI 19 POS		
1 PLC ± 0.2		製品規格	RECEPTACLE ASSY SMT TYPE		
2 PLC ± 0.2		108-78180-1	-LEAD FREE-		
3 PLC ± 0.2		APPLICATION SPEC	SIZE	CAGE CODE	DRAWING NO
4 PLC ± 0.2		取付適用規格	A3	00779	C-1747981
ANGLES ± -		WEIGHT	RESTRICTED TO		
FINISH 仕上		CUSTOMER DRAWING		SCALE 尺度	SHEET 8 of 8
MATERIAL 材料				2:1	REV F5

Компания «Life Electronics» занимается поставками электронных компонентов импортного и отечественного производства от производителей и со складов крупных дистрибьюторов Европы, Америки и Азии.

С конца 2013 года компания активно расширяет линейку поставок компонентов по направлению коаксиальный кабель, кварцевые генераторы и конденсаторы (керамические, пленочные, электролитические), за счёт заключения дистрибьюторских договоров

Мы предлагаем:

- Конкурентоспособные цены и скидки постоянным клиентам.
- Специальные условия для постоянных клиентов.
- Подбор аналогов.
- Поставку компонентов в любых объемах, удовлетворяющих вашим потребностям.
- Приемлемые сроки поставки, возможна ускоренная поставка.
- Доставку товара в любую точку России и стран СНГ.
- Комплексную поставку.
- Работу по проектам и поставку образцов.
- Формирование склада под заказчика.
- Сертификаты соответствия на поставляемую продукцию (по желанию клиента).
- Тестирование поставляемой продукции.
- Поставку компонентов, требующих военную и космическую приемку.
- Входной контроль качества.
- Наличие сертификата ISO.

В составе нашей компании организован Конструкторский отдел, призванный помогать разработчикам, и инженерам.

Конструкторский отдел помогает осуществить:

- Регистрацию проекта у производителя компонентов.
- Техническую поддержку проекта.
- Защиту от снятия компонента с производства.
- Оценку стоимости проекта по компонентам.
- Изготовление тестовой платы монтаж и пусконаладочные работы.



Тел: +7 (812) 336 43 04 (многоканальный)

Email: org@lifeelectronics.ru