

Universal Relay Driver

Features

- ▶ 10 to 450V input voltage range
- ▶ Energy saving hold current mode
- ▶ Adjustable microcontroller supply
- ▶ Low supply current <1.0mA
- ▶ Constant current coil
- ▶ Programmable pull-in current, pull-in time, and hold current
- ▶ Efficient PWM operation using the relay coils' inductance

Applications

- ▶ Industrial controls
- ▶ Relay timers
- ▶ Solenoid drivers
- ▶ Home automation

General Description

The Supertex HV9901 is a BiCMOS/DMOS universal relay driver that employs PWM switching techniques. It is designed for efficient and energy-saving operation of a low voltage relay with supply voltages ranging from 10 to 450V DC through utilization of the relay coils' inductance.

The circuit is capable of operating over a wide input voltage range without requiring a change of any external components. For example, this will enable users to use 5.0V coil relays for DC voltages 10 to 450V or AC voltages up to 240V.

The HV9901 has an internal high-voltage regulator to power internal PWM circuitry. Additionally, it includes an adjustable auxiliary regulator with a 1.0mA capability that can be used to supply low power micro controllers.

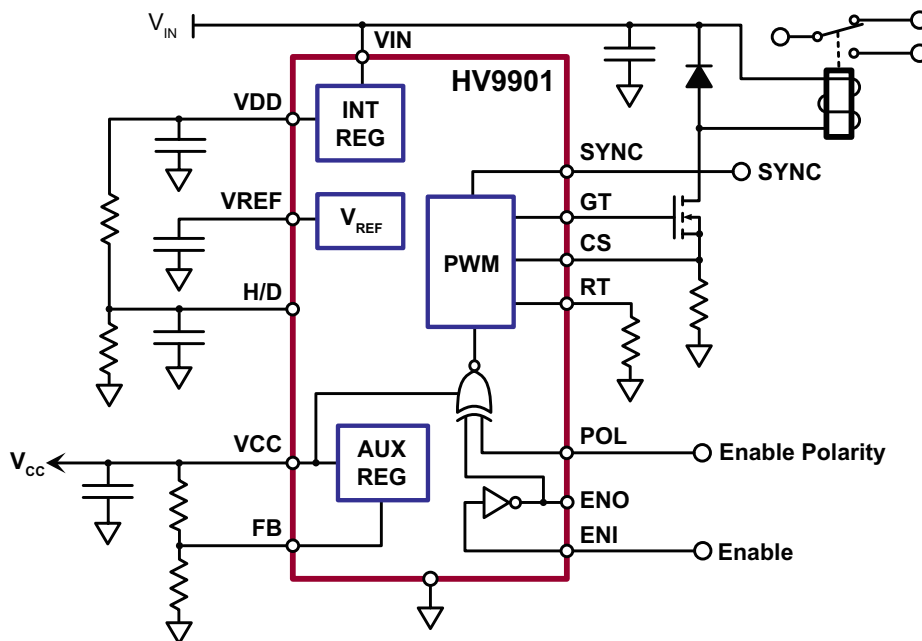
The pull-in current, pull-in time and hold current are all program-mable using only two resistors and a capacitor. The PWM switching frequency can be either:

- Synchronized to an external clock, or
- Synchronized to other HV9901s, where the synchronized frequency is the highest free-running frequency.

The enable (ENI) logic input is used to turn the relay on/off. Enable polarity may be selected via the POL input. Audible noise is prevented using fixed switching frequencies above 20kHz.

WARNING!!! Galvanic isolation is not provided. Dangerous voltages are present when connected to the AC line. It is the responsibility of the designer to ensure adequate safeguards are in place to protect the end user from electrical shock.

Typical Boost Application Circuit



Ordering Information

Part Number	Package	Packing
HV9901NG-G	16-Lead SOIC (Narrow Body)	45/Tube
HV9901NG-G M901	16-Lead SOIC (Narrow Body)	1000/Reel
HV9901NG-G M934	16-Lead SOIC (Narrow Body)	2500/Reel

-G denotes a lead (Pb)-free / RoHS compliant package

Absolute Maximum Ratings

Parameter	Value
Input voltage V_{IN}^1	-0.5V to +470V
Input voltage to any other pin ¹	-0.3V to $V_{DD} + 0.3V$
Operating temperature range	-40°C to +85°C
Continuous Power dissipation ($T_A = +25^\circ C$) ²	750mW

Note:

- All voltages are referenced to COM.
- For operation above 25°C ambient derate linearly at 7.5 mW/°C.

Stresses beyond those listed under "Absolute Maximum Ratings" may cause permanent damage to the device. These are stress ratings only, and functional operation of the device at these or any other conditions beyond those indicated in the operational sections of the specifications is not implied. Exposure to absolute maximum rating conditions for extended periods may affect device reliability.

Typical Thermal Resistance

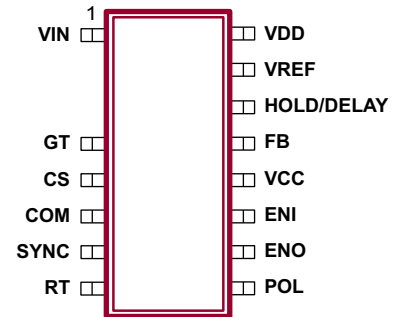
Package	θ_{ja}
16-Lead SOIC	83°C/W

Electrical Characteristics ($T_A = +25^\circ C$ unless otherwise noted)

Sym	Parameter	Min	Typ	Max	Units	Conditions
High Voltage Regulator						
V_{IN}	Input voltage	10	-	450	V	$I_{CC} = 0$ to 1.0mA load
I_{IN}	Supply current	-	-	2.0	mA	No load at V_{DD} . load at $I_{CC} = 1.0mA$ $C_{GT} = 500pF$, $f_{OSC} = 25KHz$
V_{DD}	Internally regulated voltage	8.5	9.0	9.5	V	No load at V_{DD} . $C_{GT} = 500pF$, $f_{OSC} = 25KHz$
UV_{ON}	V_{DD} under voltage lockout, on	7.8	8.2	8.5	V	---
UV_{HYS}	V_{DD} under voltage lockout, hysteresis	-	0.5	-	V	---

* Maximum allowable load current limited by power dissipation and operating ambient temperature.

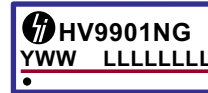
Pin Configuration



16-Lead SOIC
(top view)

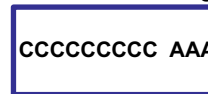
Product Marking

Top Marking



Y = Last Digit of Year Sealed
 WW = Week Sealed
 L = Lot Number
 C = Country of Origin
 A = Assembler ID*

Bottom Marking



— = "Green" Packaging

* May be part of top marking

Package may or may not include the following marks: Si or

16-Lead SOIC

Electrical Characteristics ($T_A = +25^\circ\text{C}$ unless otherwise noted)

Sym	Parameter	Min	Typ	Max	Units	Conditions
-----	-----------	-----	-----	-----	-------	------------

Adjustable Regulator

V_{CC}	Regulator output voltage range	2.0	-	5.5	V	$I_{CC} = 1.0\text{mA}$ load
I_{CC}	Regulator output current	0	-	1.0	mA	No load at V_{DD}^*
V_{FB}	Feedback voltage	0	V_{REF}	$V_{DD} - 1.0\text{V}$	V	---
I_{FB}	Input bias current	-	25	100	nA	$V_{FB} = V_{REF}$

Reference

V_{REF}	Bandgap reference voltage	1.20	1.25	1.30	V	$T_A = -40^\circ\text{C}$ to $+85^\circ\text{C}$
	Load regulation	-	-	7.0	mV	$0\text{mA} < I_{REF} < 0.3\text{mA}$
	Line regulation	-	10	15	mV	$8.5\text{V} < V_{DD} < 9.5\text{V}$
$I_{REF(SHORT)}$	Short circuit current	-	-	1.0	mA	---
$I_{REF(SINK)}$	Reference voltage sink current	-	-	20	μA	---

Oscillator

f_{OSC}	PWM oscillator frequency	20	25	35	kHz	$R_T = 1.0\text{M}\Omega$
		80	100	140	kHz	$R_T = 226\text{K}\Omega$
-	Temperature coefficient	-	170	-	ppm/ $^\circ\text{C}$	$T_A = -40^\circ\text{C}$ to $+85^\circ\text{C}$
f_{SYNC}	Oscillator sync frequency	-	-	150	kHz	---
I_{SYNC}	Sync input/output sourcing current	20	-	55	μA	---
I_{SYNC}	Sync input/output sinking current	1.0	-	-	mA	$V_{SYNC} = 0.1\text{V}$
V_{SYNC}	Sync input logic low voltage	-	-	1.0	V	---

PWM

D_{MAX}	Maximum duty cycle	96.5	-	99.5	%	$R_T = 1.0\text{M}\Omega$
		86.5	-	97.5	%	$R_T = 226\text{K}\Omega$
t_{BLNK}	Blanking time	150	215	280	ns	---

MOSFET Driver Output

V_{GTH}	Gate drive output high	$V_{DD} - 0.3$	-	-	V	$I_{OUT} = 10\text{mA}$
V_{GTL}	Gate drive output low	-	-	0.30	V	$I_{OUT} = -10\text{mA}$
t_R	Rise time	-	30	50	ns	$C_{GT} = 500\text{pF}$
t_F	Fall time	-	30	50	ns	

Current Sensing

$V_{CS(HL)}$	Current sense voltage, high limit	0.775	0.833	0.891	V	---
$t_{DELAY(HL)}$	Current limit delay to GT, high limit	-	200	250	ns	50mV overdrive
I_{CS}	Input bias current	-	25	1000	nA	POL = Low, ENI = Low
V_{OS}	Low limit comparator input offset voltage	-	-	± 60	mV	---
$t_{DELAY(LL)}$	Current limit delay to GT, low limit	-	200	250	ns	50mV overdrive

Electrical Characteristics ($T_A = +25^\circ\text{C}$ unless otherwise noted)

Sym	Parameter	Min	Typ	Max	Units	Conditions
$V_{\text{HOLD/DEL}}$	Hold/delay output voltage	$V_{\text{DD}} - 0.4$	-	-	V	$I_{\text{HOLD/DEL}}$ (sourcing) $-100\mu\text{A}$ POL = Low, ENI = Low
$I_{\text{HOLD/DEL}}$	Hold/delay input bias current	-	25	500	nA	POL = Low, ENI = Low $2.0\text{V} < V_{\text{CC}} < 5.5\text{V}$
t_{ENI}	Shutdown delay	-	50	100	ns	
V_{ENI}	Enable input voltage - High	$0.7V_{\text{CC}}$	-	V_{CC}	V	
	Enable input voltage - Low	0	-	$0.3V_{\text{CC}}$	V	
I_{ENI}	Enable input current - High	-	1.0	5.0	μA	
	Enable input current - Low	-5.0	-1.0	-	μA	
V_{POL}	Polarity voltage - High	$0.7V_{\text{CC}}$	-	V_{CC}	V	
	Polarity voltage - Low	0	-	$0.3V_{\text{CC}}$	V	
I_{POL}	Polarity current - High	-	1.0	5.0	μA	
	Polarity current - Low	-5.0	-1.0	-	μA	
V_{ENO}	Enable output voltage - High	$0.9V_{\text{CC}}$	-	V_{CC}	V	
	Enable output voltage - Low	0	-	$0.1V_{\text{CC}}$	V	

Enable Logic Truth Table

POL	ENI	ENO	Gate Drive Output
Low	Low	High	$V_{\text{GT}} =$ Oscillating output, duty cycle depends on inductive load
Low	High	Low	$V_{\text{GT}} =$ Low, SYNC = High, oscillator shut down.
High	High	Low	$V_{\text{GT}} =$ Oscillating output, duty cycle depends on inductive load
High	Low	High	$V_{\text{GT}} =$ Low, SYNC = High, oscillator shut down.

Application Information

$$I_{\text{PULL-IN}} = \frac{V_{\text{CS}}}{R_{\text{SENSE}}} \quad I_{\text{CS(HI)}} = 833\text{mV nom}$$

$$V_{\text{CS(LL)}} = \frac{V_{\text{DD}}}{1 + \frac{R_{\text{HDa}}}{R_{\text{HDb}}}} \quad V_{\text{DD}} = 9.0\text{V nom}$$

$$I_{\text{HOLD}} = \frac{V_{\text{CS(LL)}}}{R_{\text{SENSE}}}$$

$$t_{\text{PULL-IN}} = -(R_{\text{HDa}} R_{\text{HDb}}) C_{\text{HD}} \ln \left(1 - \frac{V_{\text{CS(HL)}} - V_{\text{DD}}}{V_{\text{CS(LL)}} - V_{\text{DD}}} \right)$$

$$f_{\text{PWM}} \approx 3.23\text{kHz} + \frac{21.8\text{GHz} \cdot \Omega}{R_{\text{OSC}}} \quad (\text{valid for } f_{\text{PWM}} > 23\text{kHz})$$

$$V_{\text{CC}} = 1.25\text{V} \left(1 + \frac{R_{\text{FBa}}}{R_{\text{FBb}}} \right)$$

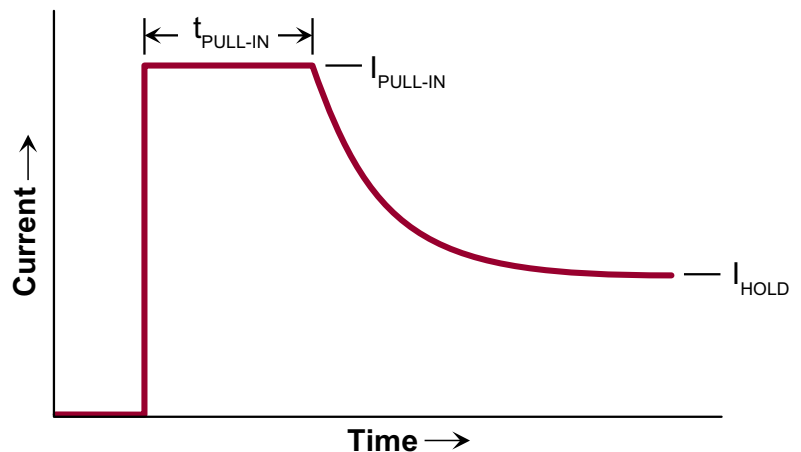


Figure 1

Application Information (cont.)

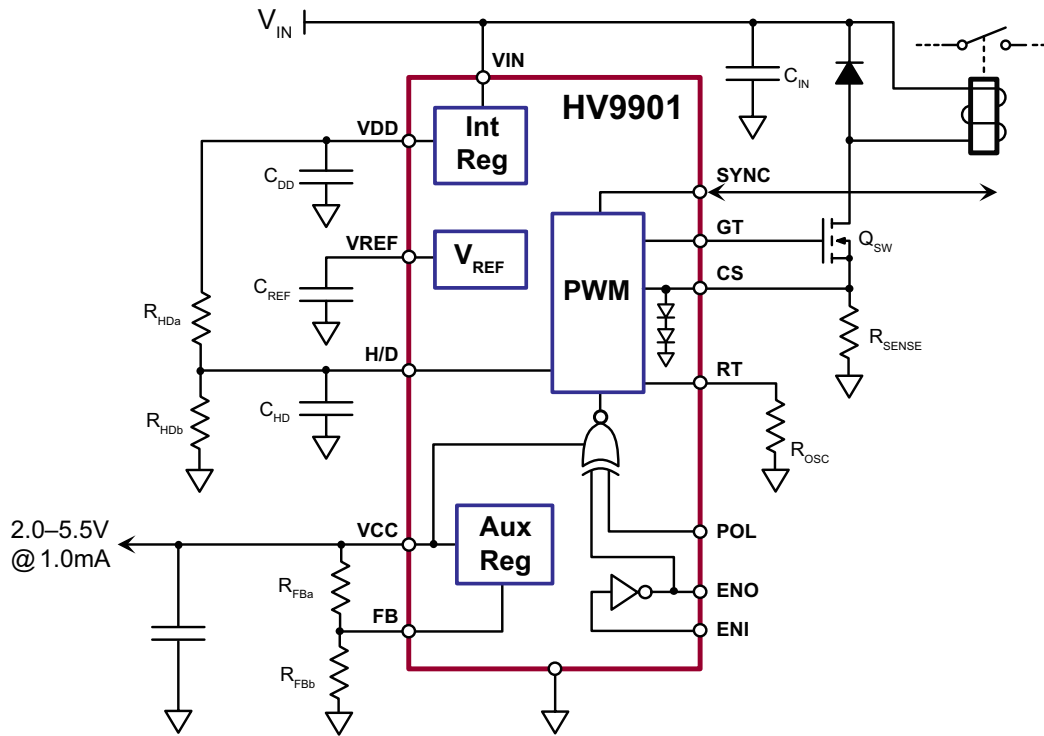
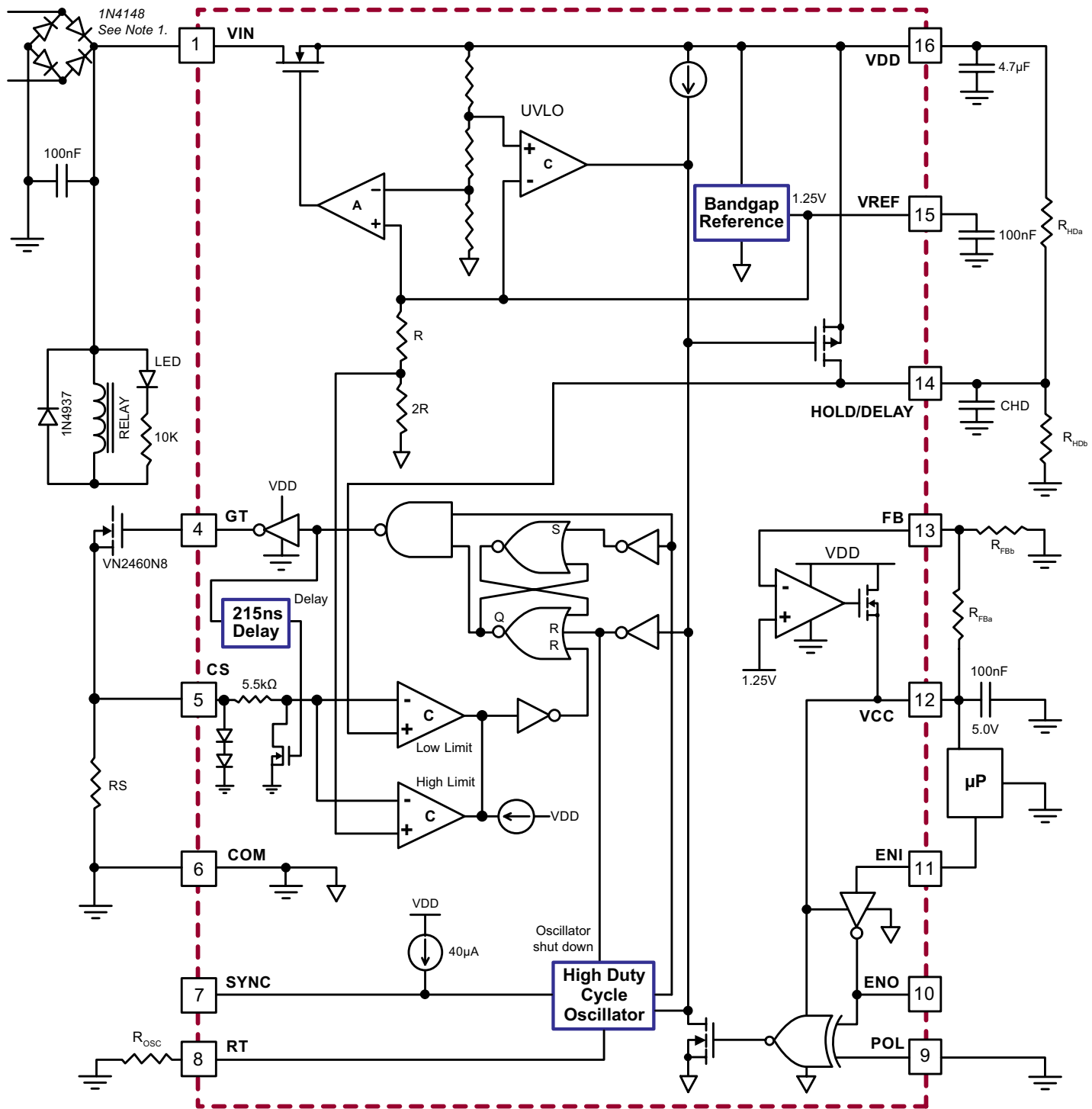


Figure 2

Pin Description

Pin #	Name	Description
1	VIN	Input supply.
2	-	Pin not present
3	-	Pin not present
4	GT	Gate driver output for driving the external switching MOSFET.
5	CS	Current sense input.
6	COM	Common. Connect to circuit ground.
7	SYNC	Open-drain input/output for synchronizing the internal PWM oscillator to other HV9901s or to an external clock.
8	RT	A resistor from this pin to ground sets the PWM switching frequency.
9	POL	Input that determines the polarity of the ENI input. See the truth table.
10	ENO	Enable out. It is the logical inversion of the ENI signal.
11	ENI	Enabled input. Whether ENI is active low or active high is determined by the POL input.
12	VCC	Output of the internal auxiliary regulator. Output voltage is determined by the resistive divider connected to the FB pin.
13	FB	Feedback input for the auxiliary regulator.
14	H/D	HOLD/DELAY input. An RC network connected to this pin controls the pull-in time and the holding current. See the equations on page 4.
15	VREF	Internal reference voltage. Bypass locally with a 10nF capacitor.
16	VDD	Output of the internal regulator. Bypass locally with a 10nF capacitor.

Functional Block Diagram

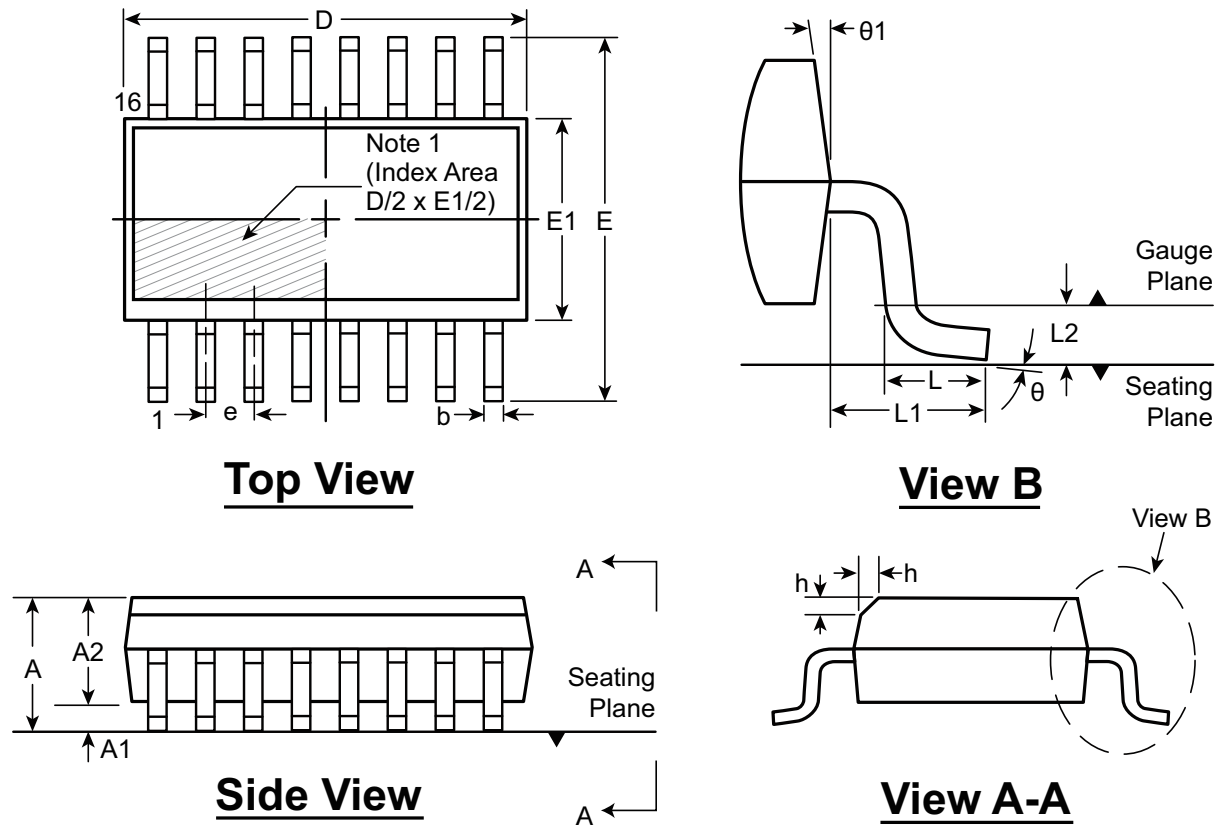


Notes:

1. This diode and bridge rectifier required only for AC operation.
2. For non-isolated AC operation the entire circuit must be floating.
3. All comparators have open drain outputs.

16-Lead SOIC (Narrow Body) Package Outline (NG)

9.90x3.90mm body, 1.75mm height (max), 1.27mm pitch



Note:
 1. This chamfer feature is optional. If it is not present, then a Pin 1 identifier must be located in the index area indicated. The Pin 1 identifier can be: a molded mark/identifier; an embedded metal marker; or a printed indicator.

Symbol	A	A1	A2	b	D	E	E1	e	h	L	L1	L2	□	□1	
Dimension (mm)	MIN	1.35*	0.10	1.25	0.31	9.80*	5.80*	3.80*	1.27 BSC	0.25	0.40	1.04 REF	0.25 BSC	0°	5°
	NOM	-	-	-	-	9.90	6.00	3.90		-	-			-	-
	MAX	1.75	0.25	1.65*	0.51	10.00*	6.20*	4.00*		0.50	1.27			8°	15°

JEDEC Registration MS-012, Variation AC, Issue E, Sept. 2005.

* This dimension is not specified in the JEDEC drawing.

Drawings are not to scale.

Supertex Doc. #: DSPD-16SONG, Version G041309.

(The package drawing(s) in this data sheet may not reflect the most current specifications. For the latest package outline information go to <http://www.supertex.com/packaging.html>.)

Supertex inc. does not recommend the use of its products in life support applications, and will not knowingly sell them for use in such applications unless it receives an adequate "product liability indemnification insurance agreement." Supertex inc. does not assume responsibility for use of devices described, and limits its liability to the replacement of the devices determined defective due to workmanship. No responsibility is assumed for possible omissions and inaccuracies. Circuitry and specifications are subject to change without notice. For the latest product specifications refer to the Supertex inc. (website: <http://www.supertex.com>)

Компания «Life Electronics» занимается поставками электронных компонентов импортного и отечественного производства от производителей и со складов крупных дистрибьюторов Европы, Америки и Азии.

С конца 2013 года компания активно расширяет линейку поставок компонентов по направлению коаксиальный кабель, кварцевые генераторы и конденсаторы (керамические, пленочные, электролитические), за счёт заключения дистрибьюторских договоров

Мы предлагаем:

- Конкурентоспособные цены и скидки постоянным клиентам.
- Специальные условия для постоянных клиентов.
- Подбор аналогов.
- Поставку компонентов в любых объемах, удовлетворяющих вашим потребностям.
- Приемлемые сроки поставки, возможна ускоренная поставка.
- Доставку товара в любую точку России и стран СНГ.
- Комплексную поставку.
- Работу по проектам и поставку образцов.
- Формирование склада под заказчика.
- Сертификаты соответствия на поставляемую продукцию (по желанию клиента).
- Тестирование поставляемой продукции.
- Поставку компонентов, требующих военную и космическую приемку.
- Входной контроль качества.
- Наличие сертификата ISO.

В составе нашей компании организован Конструкторский отдел, призванный помогать разработчикам, и инженерам.

Конструкторский отдел помогает осуществить:

- Регистрацию проекта у производителя компонентов.
- Техническую поддержку проекта.
- Защиту от снятия компонента с производства.
- Оценку стоимости проекта по компонентам.
- Изготовление тестовой платы монтаж и пусконаладочные работы.



Тел: +7 (812) 336 43 04 (многоканальный)
Email: org@lifeelectronics.ru