



Features

- Bushing mount
- Optional AR pin feature
- Plastic or metal shaft and bushings
- Wirewound
- Solder lugs or PC pins
- Sealable (Full body seal)
- Designed for use in HMI applications

■ RoHS compliant*

3590 - Precision Potentiometer

Electrical Characteristics¹

| | |
|--|---|
| Standard Resistance Range..... | 200 to 100 K ohms |
| Total Resistance Tolerance..... | ±5 % |
| Independent Linearity..... | ±0.25 % |
| Effective Electrical Angle..... | 3600 ° +10 °, -0 ° |
| Absolute Minimum Resistance..... | 1 ohm or 0.1 % maximum (whichever is greater) |
| Noise..... | 100 ohms ENR maximum |
| Dielectric Withstanding Voltage (MIL-STD-202, Method 301) Sea Level..... | 1,500 VAC minimum |
| Power Rating (Voltage Limited By Power Dissipation or 450 VAC, Whichever is Less) +40 °C..... | 2 watts |
| +125 °C..... | 0 watt |
| Insulation Resistance (500 VDC)..... | 1,000 megohms minimum |
| Resolution..... | See recommended part numbers |

Environmental Characteristics¹

| | |
|---|-----------------------------|
| Operating Temperature Range..... | -40 °C to +125 °C |
| Storage Temperature Range..... | -55 °C to +125 °C |
| Temperature Coefficient Over Storage Temperature Range ² | ±50 ppm/°C maximum/unit |
| Vibration..... | 15 G |
| Wiper Bounce..... | 0.1 millisecond maximum |
| Shock..... | 50 G |
| Wiper Bounce..... | 0.1 millisecond maximum |
| Load Life..... | 1,000 hours, 2 watts |
| Total Resistance Shift..... | ±2 % maximum |
| Rotational Life (No Load)..... | 1,000,000 shaft revolutions |
| Total Resistance Shift..... | ±5 % maximum |
| Moisture Resistance (MIL-STD-202, Method 103, Condition B) Total Resistance Shift..... | ±2 % maximum |
| IP Rating | |
| Sealed Versions (-3, -4, -7, and -8)..... | IP 65 |
| Unsealed Versions (-1 -2, -5, and -6)..... | IP 40 |

Mechanical Characteristics¹

| | |
|--|--|
| Stop Strength..... | 45 N-cm (64 oz.-in.) minimum |
| Mechanical Angle..... | 3600 ° +10 °, -0 ° |
| Torque (Starting & Running)..... | 0.35 N-cm (0.5 oz.-in.) maximum (unsealed) 1.1 N-cm (1.5 oz.-in.) maximum (sealed) |
| Mounting..... | 55-80 N-cm (5-7 lb.-in.) (plastic) 90-113 N-cm (8-10 in.-lb.) (metal) |
| Shaft Runout..... | 0.13 mm (0.005 in.) T.I.R. |
| Lateral Runout..... | 0.20 mm (0.008 in.) T.I.R. |
| Shaft End Play..... | 0.25 mm (0.010 in.) T.I.R. |
| Shaft Radial Play..... | 0.13 mm (0.005 in.) T.I.R. |
| Pilot Diameter Runout..... | 0.08 mm (0.003 in.) T.I.R. |
| Backlash..... | 1.0 ° maximum |
| Weight..... | Approximately 19 G |
| Terminals..... | Solder lugs or PC pins |
| Soldering Condition | |
| Manual Soldering..... | 96.5Sn/3.0Ag/0.5Cu solid wire or no-clean rosin cored wire; 370 °C (700 °F) max. for 3 seconds |
| Wave Soldering..... | 96.5Sn/3.0Ag/0.5Cu solder with no-clean flux; 260 °C (500 °F) max. for 5 seconds |
| Wash processes..... | Not recommended |
| Marking..... | Manufacturer's name and part number, resistance value and tolerance, linearity tolerance, wiring diagram, and date code. |
| Ganging (Multiple Section Potentiometers)..... | 1 cup maximum |
| Hardware..... | One lockwasher and one mounting nut is shipped with each potentiometer. |

NOTE: For Anti-rotation pin add 91 after configuration dash number. Example: -2 becomes -291 to add AR pin.

¹At room ambient: +25 °C nominal and 50 % relative humidity nominal, except as noted.

²Consult manufacturer for complete specification details for resistances below 1k ohms.

Recommended Part Numbers

| (Printed Circuit) | (Solder Lug) | (Solder Lug) | Resistance (Ω) | Resolution (%) |
|-------------------|---------------------|--------------|----------------|----------------|
| 3590P-2-102L | 3590S-2-102L | 3590S-1-102L | 1,000 | .029 |
| 3590P-2-202L | 3590S-2-202L | 3590S-1-202L | 2,000 | .023 |
| 3590P-2-502L | 3590S-2-502L | 3590S-1-502L | 5,000 | .025 |
| 3590P-2-103L | 3590S-2-103L | 3590S-1-103L | 10,000 | .020 |
| 3590P-2-203L | 3590S-2-203L | 3590S-1-203L | 20,000 | .019 |
| 3590P-2-503L | 3590S-2-503L | 3590S-1-503L | 50,000 | .013 |
| 3590P-2-104L | 3590S-2-104L | 3590S-1-104L | 100,000 | .009 |

BOLDFACE LISTINGS ARE IN STOCK AND READILY AVAILABLE THROUGH DISTRIBUTION. FOR OTHER OPTIONS CONSULT FACTORY.

ROHS IDENTIFIER:
L = COMPLIANT

Specifications are subject to change without notice. Customers should verify actual device performance in their specific applications.

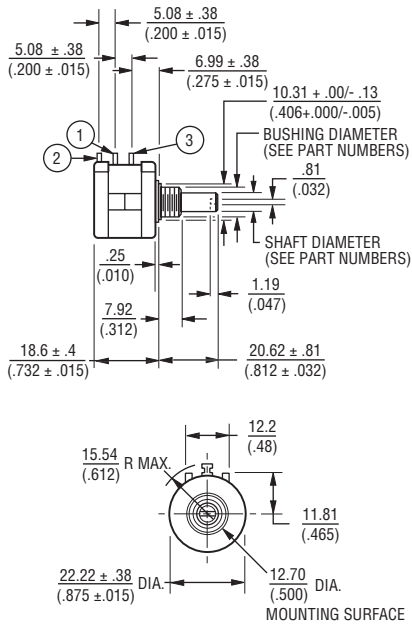
*RoHS Directive 2002/95/EC Jan. 27, 2003 including annex and RoHS Recast 2011/65/EU June 8, 2011.

3590 - Precision Potentiometer

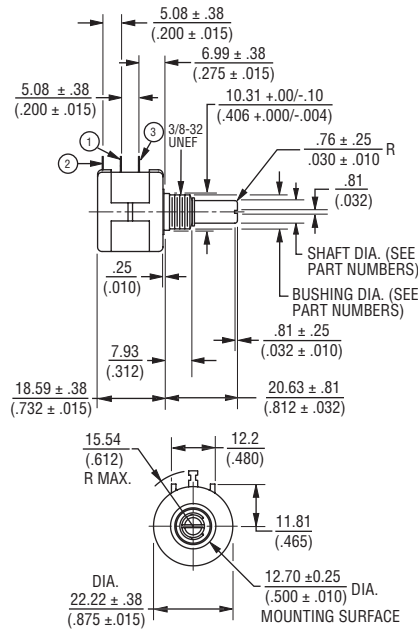
BOURNS®

Product Dimensions

-1, -3, -5, -7 Configurations

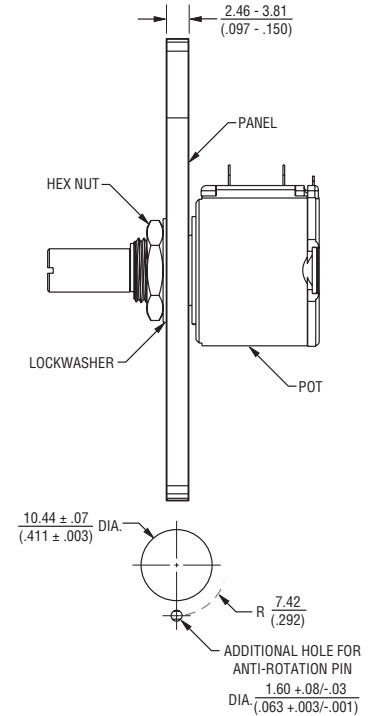


-2, -4, -6, -8 Configurations



Panel Thickness Dimensions

(For Bushing Mount Only)



Recommended PCB Layout



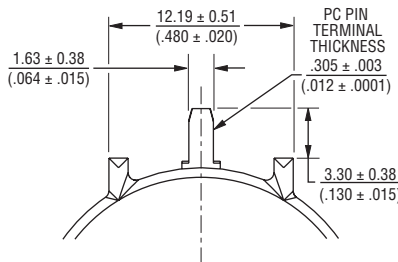
Schematic



TOLERANCES: EXCEPT WHERE NOTED
 DECIMALS: .XX ± .508 (.02), .XXX ± .127 (.005)
 FRACTIONS: ±1/64
 DIMENSIONS: $\frac{MM}{(IN.)}$

Terminal Styles

"P" Terminal Style



"S" Terminal Style



Anti-rotation pin hole is shown at six o'clock position for reference only. The actual location is determined by the customer's application. Refer to the front view of the potentiometer to see the location of the optional A/R pin.

Panel thickness and hole diameters are recommended for best fit. However, customers may adjust the dimensions to suit their specific application.

Shaft & Bushing Configurations

- (Bushing - DxL, Shaft - D):
- (-1) Plastic Bushing (3/8" x 5/16") and Shaft (.2480 + .001, - .002)
 - (-2) Metal Bushing (3/8" x 5/16") and Shaft (.2497 + .0000, - .0009)
 - (-3) Sealed, Plastic Bushing (3/8" x 5/16") and Shaft (.2480 + .001, - .002)
 - (-4) Sealed, Metal Bushing (3/8" x 5/16") and Shaft (.2497 + .0000, - .0009)
 - (-5) Metric, Plastic Bushing (9 mm x 7.94 mm) and Shaft (6 mm + 0, - .076 mm)
 - (-6) Metric, Metal Bushing (9 mm x 7.94 mm) and Shaft (6 mm + 0, - .023 mm)
 - (-7) Metric, Sealed, Plastic Bushing (9 mm x 7.94 mm) and Shaft (6 mm + 0, - .076 mm)
 - (-8) Metric, Sealed, Metal Bushing (9 mm x 7.94 mm) and Shaft (6 mm + 0, - .023 mm)

REV. 06/12

Specifications are subject to change without notice. Customers should verify actual device performance in their specific applications.

Компания «Life Electronics» занимается поставками электронных компонентов импортного и отечественного производства от производителей и со складов крупных дистрибьюторов Европы, Америки и Азии.

С конца 2013 года компания активно расширяет линейку поставок компонентов по направлению коаксиальный кабель, кварцевые генераторы и конденсаторы (керамические, пленочные, электролитические), за счёт заключения дистрибьюторских договоров

Мы предлагаем:

- Конкурентоспособные цены и скидки постоянным клиентам.
- Специальные условия для постоянных клиентов.
- Подбор аналогов.
- Поставку компонентов в любых объемах, удовлетворяющих вашим потребностям.
- Приемлемые сроки поставки, возможна ускоренная поставка.
- Доставку товара в любую точку России и стран СНГ.
- Комплексную поставку.
- Работу по проектам и поставку образцов.
- Формирование склада под заказчика.
- Сертификаты соответствия на поставляемую продукцию (по желанию клиента).
- Тестирование поставляемой продукции.
- Поставку компонентов, требующих военную и космическую приемку.
- Входной контроль качества.
- Наличие сертификата ISO.

В составе нашей компании организован Конструкторский отдел, призванный помогать разработчикам, и инженерам.

Конструкторский отдел помогает осуществить:

- Регистрацию проекта у производителя компонентов.
- Техническую поддержку проекта.
- Защиту от снятия компонента с производства.
- Оценку стоимости проекта по компонентам.
- Изготовление тестовой платы монтаж и пусконаладочные работы.



Тел: +7 (812) 336 43 04 (многоканальный)

Email: org@lifeelectronics.ru