



2.5V, 3.2Gbps DUAL, DIFFERENTIAL 2:1 LVDS MULTIPLEXER WITH INTERNAL TERMINATION

Precision Edge®
SY89542U

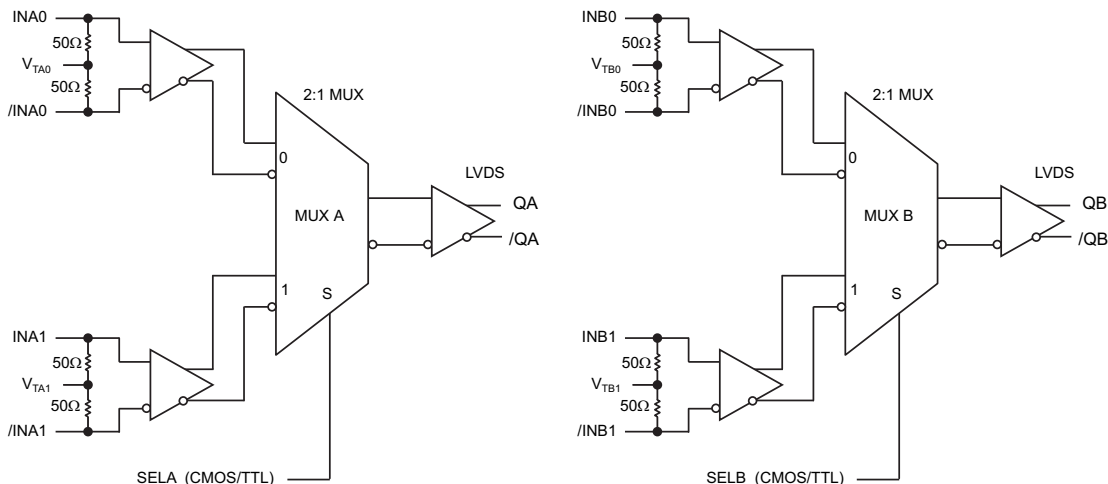
FEATURES

- Dual 2:1 multiplexer
- Guaranteed AC performance over temp and voltage:
 - DC-to > 3.2Gbps data rate throughput
 - < 600ps In-to-Out t_{pd}
 - < 150ps t_r/t_f
- Ultra-low jitter design:
 - < 1ps_{RMS} random jitter
 - < 10ps_{PP} deterministic jitter
 - < 10ps_{PP} total jitter (clock)
 - < 0.7ps_{RMS} crosstalk-induced jitter
- Unique input isolation design minimizes crosstalk
- Internal input termination
- Unique input termination and V_T pin accepts DC-Coupled and AC-coupled inputs (LVDS, LVPECL, CML)
- 350mV LVDS output swing
- CMOS/TTL compatible MUX select
- Power supply 2.5V \pm 5%
- -40°C to +85°C temperature range
- Available in 32-pin (5mm x 5mm) MLF® package

APPLICATIONS

- Redundant clock/data switchover
- SONET/SDH multi-channel select applications
- Fibre Channel applications
- GigE applications

FUNCTIONAL BLOCK DIAGRAM



Precision Edge®

DESCRIPTION

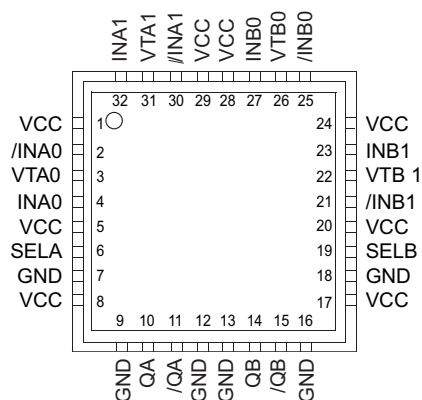
The SY89542U includes two precision, high-speed 2:1 differential Muxes with LVDS (350mV) compatible outputs with a guaranteed data rate throughput of 3.2Gbps over temperature and voltage.

The SY89542U differential inputs include a unique, 3-pin internal termination that allows access to the termination network through a V_T pin. This feature allows the device to easily interface to different logic standards, both AC- and DC-coupled without external resistor-bias and termination networks. The result is a clean, stub-free, low jitter interface solution.

The SY89542U operates from a single 2.5V supply, and is guaranteed over the full industrial temperature range (-40°C to +85°C). For applications that require a 3.3V supply, consider the SY89543L. The SY89542U is part of Micrel's Precision Edge® product family.

All support documentation can be found on Micrel's web site at www.micrel.com.

PACKAGE/ORDERING INFORMATION



32-Pin MLF®

Ordering Information⁽¹⁾

Part Number	Package Type	Operating Range	Package Marking	Lead Finish
SY89542UMI	MLF-32	Industrial	SY89542U	Sn-Pb
SY89542UMITR ⁽²⁾	MLF-32	Industrial	SY89542U	Sn-Pb
SY89542UMG ⁽³⁾	MLF-32	Industrial	SY89542U with Pb-Free bar-line indicator	Pb-Free NiPdAu
SY89542UMGTR ^(2,3)	MLF-32	Industrial	SY89542U with Pb-Free bar-line indicator	Pb-Free NiPdAu

Notes:

1. Contact factory for die availability. Dice are guaranteed at T_A = 25°C, DC electricals only.
2. Tape and Reel.
3. Recommended for new designs.

PIN DESCRIPTION

Pin Number	Pin Name	Pin Function
4, 2, 32, 30, 27, 25, 23, 21	INA0, /INA0, INA1, /INA1, INB0, /INB0, INB1, /INB1	Differential Inputs: These input pairs are the differential signal inputs to the device. Inputs accept AC- or DC-coupled signals as small as 100mV. Each pin of a pair internally terminates to a V _T pin through 50Ω. Note that these inputs will default to an indeterminate state if left open. Unused differential input pairs can be terminated by connecting one input to V _{CC} and the complementary input to GND through a 1kΩ resistor. The V _T pin is to be left open in this configuration. Please refer to the “Input Interface Applications” section for more details.
3, 31, 26, 22	VTA0, VTA1, VTB0, VTB1	Input Termination Center-Tap: Each side of the differential input pair, terminates to a V _T pin. The V _{TA0} , V _{TA1} , V _{TB0} , V _{TB1} pins provide a center-tap to a termination network for maximum interface flexibility. See “Input Interface Applications” section for more details.
6, 19	SELA, SELB	These single-ended TTL/CMOS-compatible inputs select the inputs to the multiplexers. Note that these inputs are internally connected to a 25kΩ pull-up resistor and will default to logic HIGH state if left open. Input switching threshold is V _{CC} /2.
1, 5, 8, 17, 20, 24, 28, 29	VCC	Positive Power Supply: Bypass with 0.1μF 0.01μF low ESR capacitors. The 0.01μF capacitor should be as close to V _{CC} pin as possible.
10, 11, 14, 15	QA, /QA, QB, /QB	Differential Outputs: This differential LVDS output pair provides a copy of the selected input. It is a logic function of the INA0, INA1, INB0, INB1 and SELA and SELB inputs. Please refer to the “Truth Table” for details. Unused output pairs must be terminated with 100Ω across the differential pair.
7, 9, 12, 13, 16, 18	GND, Exposed pad	Ground: Ground pin and exposed pad must be connected to the same ground plane.

Absolute Maximum Ratings⁽¹⁾

Supply Voltage (V_{CC})	-0.5V to +4.0V
Input Voltage (V_{IN})	-0.5V to V_{CC}
Termination Current ⁽³⁾	
Source or sink current on V_T	±100mA
Input Current	
Source or sink current on IN, /IN	±50mA
Lead Temperature (soldering, 20 sec.)	+260°C
Storage Temperature (T_S)	-65°C to +150°C

Operating Ratings⁽²⁾

Supply Voltage (V_{CC})	2.375V to 2.625V
Ambient Temperature (T_A)	-40°C to +85°C
Package Thermal Resistance ⁽⁴⁾	
MLF® (θ_{JA})	
Still-Air	35°C/W
500lfpm	28°C/W
MLF® (ψ_{JB})	
Junction-to-Board	20°C/W

DC ELECTRICAL CHARACTERISTICS⁽⁵⁾

$T_A = -40^\circ\text{C}$ to $+85^\circ\text{C}$; Unless otherwise stated.

Symbol	Parameter	Condition	Min	Typ	Max	Units
V_{CC}	Power Supply		2.375	2.5	2.625	V
I_{CC}	Power Supply Current	No Load, Max. V_{CC} ⁽⁶⁾		70	95	mA
R_{DIFF_IN}	Differential Input Resistance (IN-to-/IN)		80	100	120	Ω
R_{IN}	Input Resistance (IN-to- V_T , /IN-to- V_T)		40	50	60	Ω
V_{IH}	Input High Voltage (IN, /IN)		1.2		V_{CC}	V
V_{IL}	Input Low Voltage (IN, /IN)		0		$V_{IH}-0.1$	V
V_{IN}	Input Voltage Swing (IN, /IN)	Notes 7	0.1		V_{CC}	V
V_{DIFF_IN}	Differential Input Voltage Swing IN - /IN	Notes 7	0.2			V
IN-to- V_T	Voltage from Input to V_T				1.8	V

Notes:

1. Permanent device damage may occur if "Absolute Maximum Ratings" are exceeded. This is a stress rating only and functional operation is not implied at conditions other than those detailed in the operational sections of this data sheet. Exposure to "Absolute Maximum Ratings" conditions for extended periods may affect device reliability.
2. The data sheet limits are not guaranteed if the device is operated beyond the operating ratings.
3. Due to the limited drive capability use for input of the same package only.
4. Package thermal resistance assumes exposed pad is soldered (or equivalent) to the device's most negative potential on the PCB. ψ_{JB} uses 4-layer θ_{JA} in still-air unless otherwise stated.
5. The circuit is designed to meet the DC specifications shown in the above table after thermal equilibrium has been established.
6. Includes current through internal 50 Ω pull-ups.
7. See "Single-Ended and Differential Swings" section for V_{IN} and V_{DIFF_IN} definition.

LVDS OUTPUTS DC ELECTRICAL CHARACTERISTICS⁽⁹⁾

$V_{CC} = 2.5V \pm 5\%$; $T_A = -40^{\circ}C$ to $+85^{\circ}C$; $R_L = 100\Omega$ across Q and /Q, unless otherwise stated.

Symbol	Parameter	Condition	Min	Typ	Max	Units
V_{OH}	Output HIGH Voltage (Q, /Q)	See Figure 5a			1.475	V
V_{OL}	Output LOW Voltage (Q, /Q)	See Figure 5a	0.925			V
V_{OUT}	Output Voltage Swing (Q, /Q)	See Figures 1a, 5a	250	350		mV
$V_{DIFF-OUT}$	Differential Output Voltage Swing Q - /Q	See Figure 1b	500	700		mV
V_{OCM}	Output Common Mode Voltage (Q, /Q)	See Figure 5b	1.125		1.275	V
ΔV_{OCM}	Change in Common Mode Voltage (Q, /Q)	See Figure 5b	-50		+50	mV

LVTTTL/CMOS DC ELECTRICAL CHARACTERISTICS⁽⁹⁾

$V_{CC} = 2.5V \pm 5\%$; $T_A = -40^{\circ}C$ to $+85^{\circ}C$; unless otherwise stated.

Symbol	Parameter	Condition	Min	Typ	Max	Units
V_{IH}	Input HIGH Voltage		2.0		V_{CC}	V
V_{IL}	Input LOW Voltage				0.8	V
I_{IH}	Input HIGH Current				40	μA
I_{IL}	Input LOW Current				-300	μA

Note:

9. The circuit is designed to meet the DC specifications shown in the above table after thermal equilibrium has been established.

AC ELECTRICAL CHARACTERISTICS⁽¹⁰⁾

V_{CC} = 2.5V ±5%; T_A = -40°C to +85°C; R_L = 100Ω across Q and /Q, unless otherwise stated.

Symbol	Parameter	Condition	Min	Typ	Max	Units
f _{MAX}	Maximum Operating Frequency	NRZ Data	3.2			Gbps
		V _{OUT} > 200mV Clock		4		GHz
t _{pd}	Differential Propagation Delay	IN-to-Q	250	350	450	ps
		SEL-to-Q	200	350	600	ps
t _{SKEW}	Input-to-Input Skew	Note 11			20	ps
	Bank-to-Bank Skew	Note 12			25	ps
	Part-to-Part Skew	Note 13			200	ps
t _{JITTER}	Data Random Jitter (RJ)	Note 14			1	ps _{RMS}
	Deterministic Jitter (DJ)	Note 15			10	ps _{PP}
	Clock Total Jitter (TJ)	Note 16			10	ps _{PP}
	Cycle-to-Cycle Jitter	Note 17			1	ps _{RMS}
	Crosstalk-Induced Jitter	Note 18			0.7	ps _{RMS}
t _r , t _f	Output Rise / Fall Time (20% to 80%)	At full output swing	35	80	150	ps

Notes:

10. Measured with 100mV input swing. See "Timing Diagrams" section for definition of parameters. High frequency AC-parameters are guaranteed by design and characterization.
11. Input-to-input skew is the difference in time from an input-to-output in comparison to any other input-to-output. In addition, the input-to-input skew does not include the output skew.
12. Bank-to-bank skew is the difference in time from input to the output between banks.
13. Part-to-part skew is defined for two parts with identical power supply voltages at the same temperature and with no skew of the edges at the respective inputs. Total skew is calculated as the RMS (Root Mean Square) of the input skew and output skew.
14. Random jitter is measured with a K28.7 comma detect character pattern, measured at 1.25Gbps and 3.2Gbps.
15. Deterministic jitter is measured at 1.25Gbps and 3.2Gbps, with both K28.5 and 2²³-1 PRBS pattern.
16. Total jitter definition: with an ideal clock input of frequency ≤ f_{MAX}, no more than one output edge in 10¹² output edges will deviate by more than the specified peak-to-peak jitter value.
17. Cycle-to-cycle jitter definition: the variation of periods between adjacent cycles, T_n-T_{n-1} where T is the time between rising edges of the output signal.
18. Crosstalk is measured at the output while applying two similar frequencies to adjacent inputs that are asynchronous with respect to each other at the inputs.

SINGLE-ENDED AND DIFFERENTIAL SWINGS

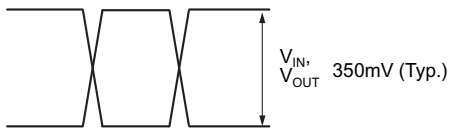


Figure 1a. Single-Ended Voltage Swing

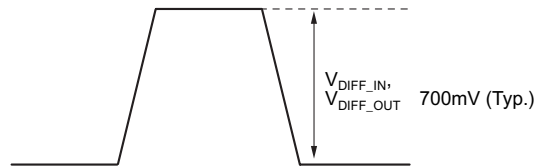


Figure 1b. Differential Voltage Swing

TIMING DIAGRAM

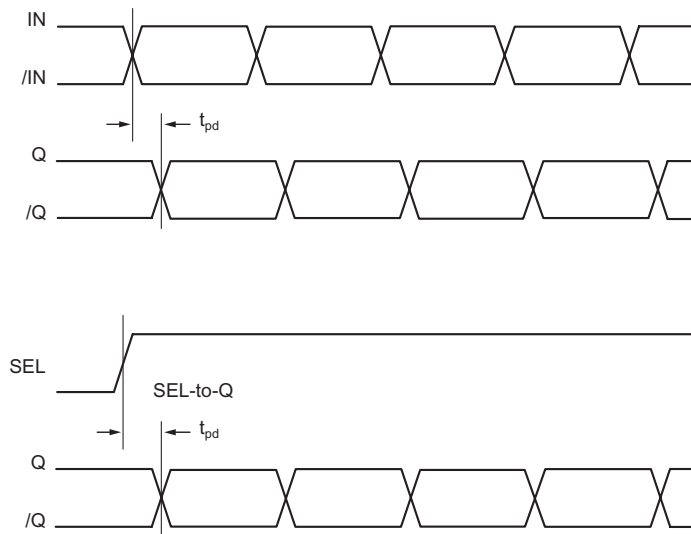


Figure 2. Timing Diagram

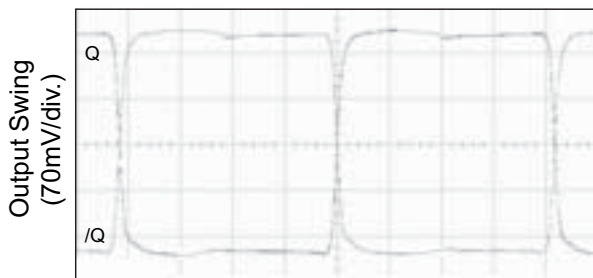
TRUTH TABLE

IN0	IN1	SEL	Q	/Q
0	X	0	0	1
1	X	0	1	0
X	0	1	0	1
X	1	1	1	0

FUNCTIONAL CHARACTERISTICS

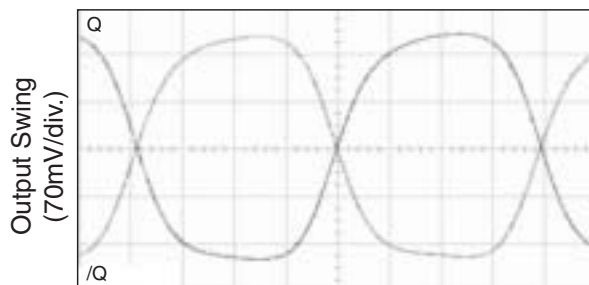
$V_{CC} = 2.5V, T_A = 25^\circ C.$

200MHz Output



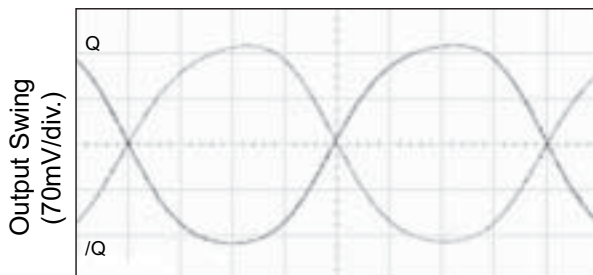
TIME (600ps/div.)

1.6GHz Output



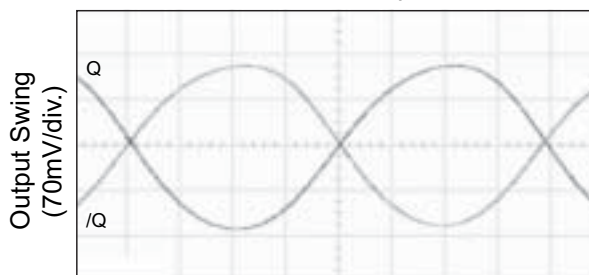
TIME (80ps/div.)

2.5GHz Output



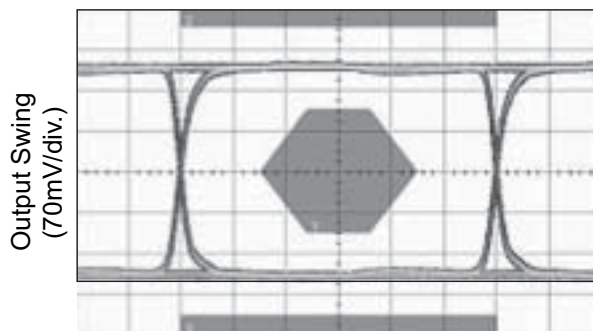
TIME (50ps/div.)

3.2GHz Output



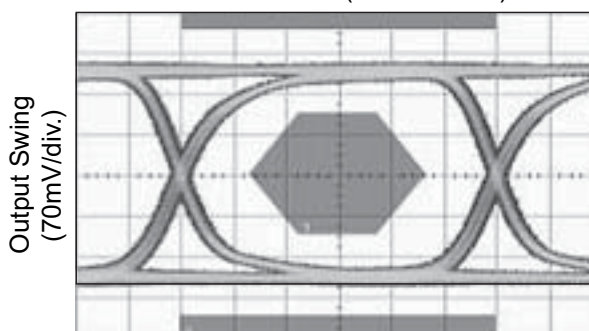
TIME (40ps/div.)

OC-12 Mask ($2^{23}-1$ PRBS)



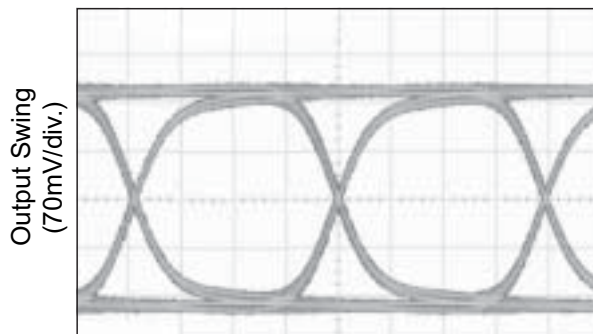
TIME (270ps/div.)

2xGBE Mask ($2^{23}-1$ PRBS)



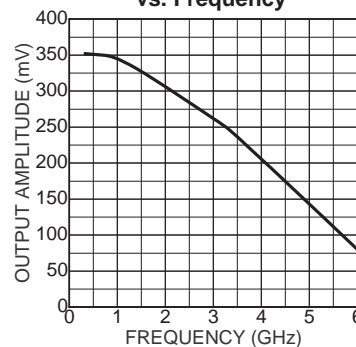
TIME (67ps/div.)

3.2Gbps Data Output ($2^{23}-1$ PRBS)



TIME (80ps/div.)

Output Amplitude vs. Frequency



INPUT AND OUTPUT STAGE INTERNAL TERMINATION

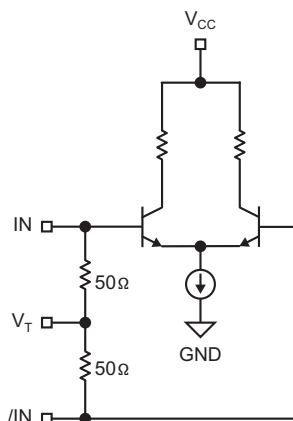


Figure 3. Simplified Differential Input Stage

INPUT INTERFACE APPLICATIONS

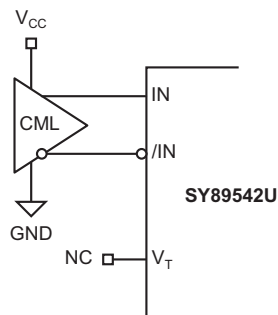


Figure 4a. CML Interface (DC-Coupled)

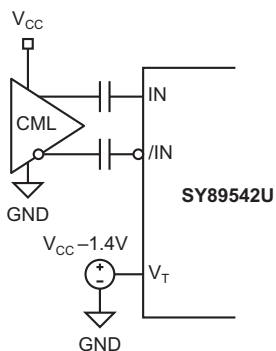


Figure 4b. CML Interface (AC-Coupled)

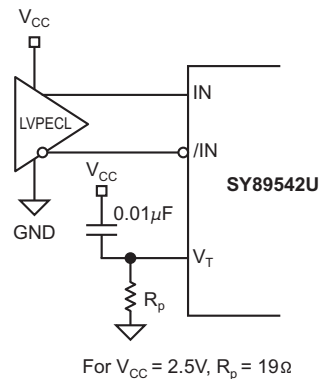


Figure 4c. LVPECL Interface (DC-Coupled)

For $V_{CC} = 2.5V$, $R_p = 19\Omega$

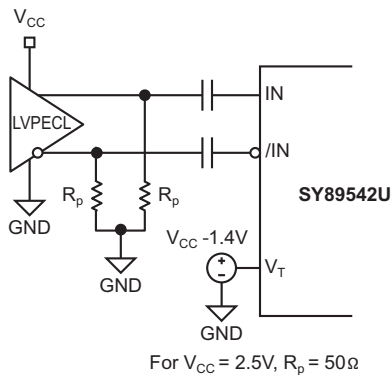


Figure 4d. LVPECL Interface (AC-Coupled)

For $V_{CC} = 2.5V$, $R_p = 50\Omega$

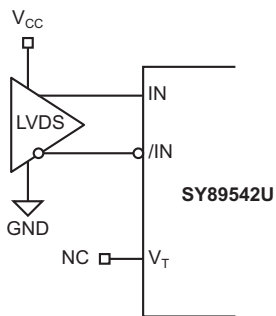


Figure 4e. LVDS Interface

OUTPUT INTERFACE APPLICATIONS

LVDS specifies a small swing of 350mV typical, on a nominal 1.25V common mode above ground. The common mode voltage has tight limits to permit large variations in

ground between an LVDS driver and receiver. Also, change in common mode voltage, as a function of data input, is kept to a minimum, to keep EMI low.

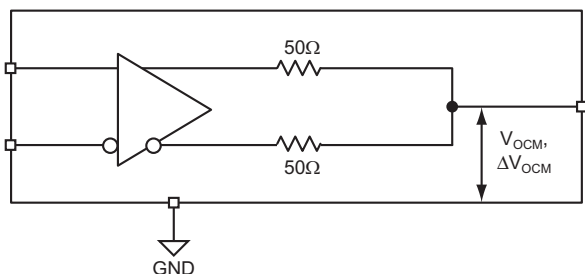


Figure 5a. LVDS Differential Measurement

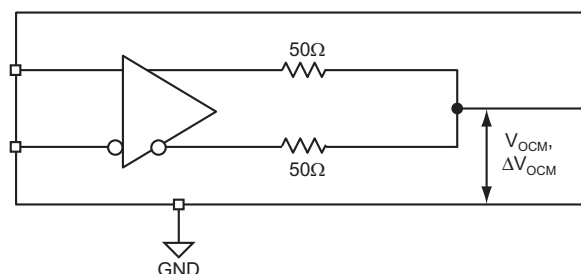
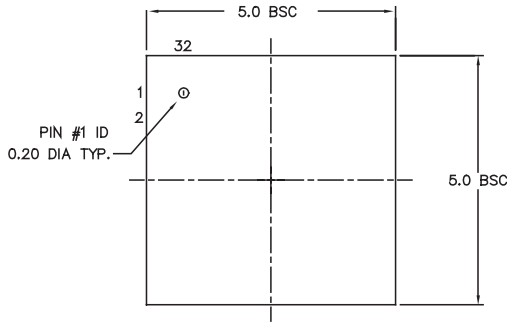


Figure 5b. LVDS Common Mode Measurement

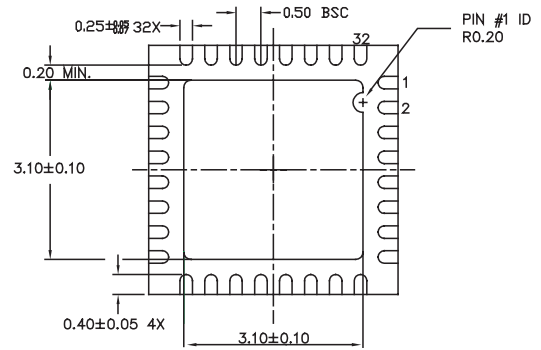
RELATED MICREL PRODUCTS AND SUPPORT DOCUMENTATION

Part Number	Function	Data Sheet Link
SY89543L	3.3V, 3.2Gbps Dual, Differential 2:1 LVDS Multiplexer with Internal Input Termination	http://www.micrel.com/_pdf/HBW/sy89543l.pdf
SY89544U	2.5V, 3.2Gbps 4:1 LVDS Multiplexer with Internal Input Termination	http://www.micrel.com/_pdf/HBW/sy89544u.pdf
SY89545L	3.3V, 3.2Gbps 4:1 LVDS Multiplexer with Internal Input Termination	http://www.micrel.com/_pdf/HBW/sy89545l.pdf
SY89546U	2.5V 3.2Gbps, Differential 4:1 LVDS Multiplexer with 1:2 Fanout and Internal Input Termination	http://www.micrel.com/_pdf/HBW/sy89546u.pdf
SY89547L	3.3V 3.2Gbps, Differential 4:1 LVDS Multiplexer with 1:2 Fanout and Internal Input Termination	http://www.micrel.com/_pdf/HBW/sy89547l.pdf
	MLF® Application Note	www.amkor.com/products/notes_papers/LF_AppNote_0902.pdf
HBW Solutions	New Products and Applications	www.micrel.com/product-info/products/solutions.shtml

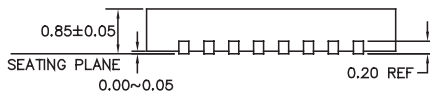
32-PIN MicroLeadFrame® (MLF-32)



TOP VIEW

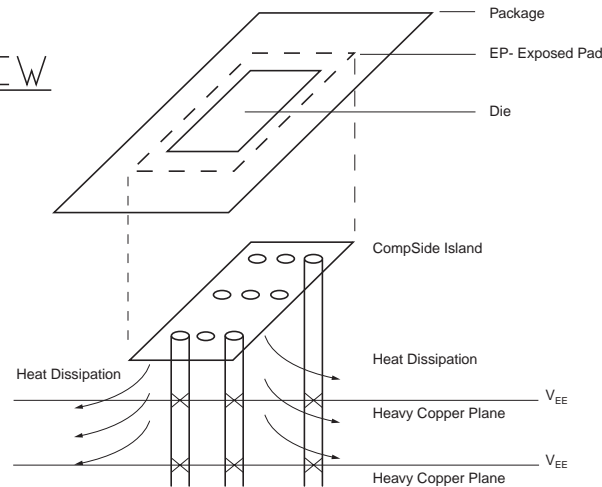


BOTTOM VIEW



SIDE VIEW

- NOTE:
1. ALL DIMENSIONS ARE IN MILLIMETERS.
 2. MAX. PACKAGE WARPAGE IS 0.05 mm.
 3. MAXIMUM ALLOWABLE BURRS IS 0.076 mm IN ALL DIRECTIONS.
 4. PIN #1 ID ON TOP WILL BE LASER/INK MARKED.



**PCB Thermal Consideration for 32-Pin MLF® Package
(Always solder, or equivalent, the exposed pad to the PCB)**

Package Notes:

1. Package meets Level 2 qualification.
2. All parts are dry-packaged before shipment.
3. Exposed pads must be soldered to a ground for proper thermal management.

MICREL, INC. 2180 FORTUNE DRIVE SAN JOSE, CA 95131 USA

TEL + 1 (408) 944-0800 FAX + 1 (408) 474-1000 WEB <http://www.micrel.com>

The information furnished by Micrel in this data sheet is believed to be accurate and reliable. However, no responsibility is assumed by Micrel for its use. Micrel reserves the right to change circuitry and specifications at any time without notification to the customer.

Micrel Products are not designed or authorized for use as components in life support appliances, devices or systems where malfunction of a product can reasonably be expected to result in personal injury. Life support devices or systems are devices or systems that (a) are intended for surgical implant into the body or (b) support or sustain life, and whose failure to perform can be reasonably expected to result in a significant injury to the user. A Purchaser's use or sale of Micrel Products for use in life support appliances, devices or systems is at Purchaser's own risk and Purchaser agrees to fully indemnify Micrel for any damages resulting from such use or sale.

© 2006 Micrel, Incorporated.

Компания «Life Electronics» занимается поставками электронных компонентов импортного и отечественного производства от производителей и со складов крупных дистрибьюторов Европы, Америки и Азии.

С конца 2013 года компания активно расширяет линейку поставок компонентов по направлению коаксиальный кабель, кварцевые генераторы и конденсаторы (керамические, пленочные, электролитические), за счёт заключения дистрибьюторских договоров

Мы предлагаем:

- Конкурентоспособные цены и скидки постоянным клиентам.
- Специальные условия для постоянных клиентов.
- Подбор аналогов.
- Поставку компонентов в любых объемах, удовлетворяющих вашим потребностям.
- Приемлемые сроки поставки, возможна ускоренная поставка.
- Доставку товара в любую точку России и стран СНГ.
- Комплексную поставку.
- Работу по проектам и поставку образцов.
- Формирование склада под заказчика.
- Сертификаты соответствия на поставляемую продукцию (по желанию клиента).
- Тестирование поставляемой продукции.
- Поставку компонентов, требующих военную и космическую приемку.
- Входной контроль качества.
- Наличие сертификата ISO.

В составе нашей компании организован Конструкторский отдел, призванный помогать разработчикам, и инженерам.

Конструкторский отдел помогает осуществить:

- Регистрацию проекта у производителя компонентов.
- Техническую поддержку проекта.
- Защиту от снятия компонента с производства.
- Оценку стоимости проекта по компонентам.
- Изготовление тестовой платы монтаж и пусконаладочные работы.



Тел: +7 (812) 336 43 04 (многоканальный)

Email: org@lifeelectronics.ru