



RF Power LDMOS Transistor

N-Channel Enhancement-Mode Lateral MOSFET

This 12.5 W CW high efficiency RF power transistor is designed for consumer and commercial cooking applications operating in the 2450 MHz ISM band.

Typical Performance: $V_{DD} = 28$ Vdc, $I_{DQ} = 110$ mA

Frequency (MHz)	Signal Type	G_{ps} (dB)	PAE (%)	P_{out} (W)
2400	CW	18.5	57.5	12.5
2450		18.6	56.3	12.5
2500		18.3	55.6	12.5

Load Mismatch/Ruggedness

Frequency (MHz)	Signal Type	VSWR	P_{in} (dBm)	Test Voltage	Result
2450	CW	> 5:1 at all Phase Angles	26 (3 dB Overdrive)	32	No Device Degradation

Features

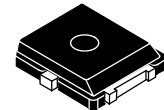
- Characterized with series equivalent large-signal impedance parameters and common source S-parameters
- Qualified for operation at 32 Vdc
- Integrated ESD protection
- 150°C case operating temperature
- 150°C die temperature capability

Target Applications

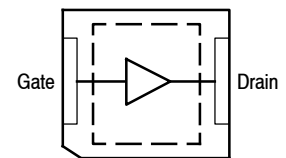
- Consumer cooking as PA driver
- Commercial cooking as PA driver

MHT1008N

**2450 MHz, 12.5 W CW, 28 V
 RF POWER LDMOS TRANSISTOR
 FOR CONSUMER AND
 COMMERCIAL COOKING**



**PLD-1.5W
 PLASTIC**



(Top View)

Note: The center pad on the backside of the package is the source terminal for the transistor.

Figure 1. Pin Connections



Table 1. Maximum Ratings

Rating	Symbol	Value	Unit
Drain-Source Voltage	V_{DSS}	-0.5, +65	Vdc
Gate-Source Voltage	V_{GS}	-6.0, +10	Vdc
Operating Voltage	V_{DD}	32, +0	Vdc
Storage Temperature Range	T_{stg}	-65 to +150	°C
Case Operating Temperature Range	T_C	-40 to +150	°C
Operating Junction Temperature Range (1,2)	T_J	-40 to +150	°C
Total Device Dissipation @ $T_C = 25^\circ\text{C}$ Derate above 25°C	P_D	48.1 0.38	W W/°C

Table 2. Thermal Characteristics

Characteristic	Symbol	Value (2,3)	Unit
Thermal Resistance, Junction to Case Case Temperature 88°C, 12.5 W CW, 28 Vdc, $I_{DQ} = 110$ mA, 2450 MHz	$R_{\theta JC}$	2.6	°C/W

Table 3. ESD Protection Characteristics

Test Methodology	Class
Human Body Model (per JESD22-A114)	1B, passes 500 V
Machine Model (per EIA/JESD22-A115)	A, passes 50 V
Charge Device Model (per JESD22-C101)	IV, passes 2000 V

Table 4. Moisture Sensitivity Level (MSL)

Test Methodology	Rating	Package Peak Temperature	Unit
Per JESD22-A113, IPC/JEDEC J-STD-020	3	260	°C

Table 5. Electrical Characteristics ($T_A = 25^\circ\text{C}$ unless otherwise noted)

Characteristic	Symbol	Min	Typ	Max	Unit
----------------	--------	-----	-----	-----	------

Off Characteristics

Zero Gate Voltage Drain Leakage Current ($V_{DS} = 65$ Vdc, $V_{GS} = 0$ Vdc)	I_{DSS}	—	—	10	μAdc
Zero Gate Voltage Drain Leakage Current ($V_{DS} = 32$ Vdc, $V_{GS} = 0$ Vdc)	I_{DSS}	—	—	1	μAdc
Gate-Source Leakage Current ($V_{GS} = 5$ Vdc, $V_{DS} = 0$ Vdc)	I_{GSS}	—	—	1	μAdc

On Characteristics

Gate Threshold Voltage ($V_{DS} = 10$ Vdc, $I_D = 15.4$ μAdc)	$V_{GS(th)}$	0.8	1.2	1.6	Vdc
Gate Quiescent Voltage ($V_{DS} = 28$ Vdc, $I_D = 90$ mAdc)	$V_{GS(Q)}$	—	1.8	—	Vdc
Drain-Source On-Voltage ($V_{GS} = 10$ Vdc, $I_D = 154$ mAdc)	$V_{DS(on)}$	0.1	0.2	0.3	Vdc

1. Continuous use at maximum temperature will affect MTTF.
2. MTTF calculator available at <http://www.nxp.com/RF/calculators>.
3. Refer to AN1955, *Thermal Measurement Methodology of RF Power Amplifiers*. Go to <http://www.nxp.com/RF> and search for AN1955.

Table 6. Typical PerformanceIn Freescale Reference Circuit, 50 ohm system, $V_{DD} = 28$ Vdc, $I_{DQ} = 110$ mA

Frequency	G_{ps} (dB)	PAE (%)	P_{out} (W)
2400 MHz	18.5	57.5	12.5
2450 MHz	18.6	56.3	12.5
2500 MHz	18.3	55.6	12.5

Table 7. Load Mismatch/RuggednessIn Freescale Reference Circuit, 50 ohm system, $I_{DQ} = 110$ mA

Frequency (MHz)	Signal Type	VSWR	P_{in} (dBm)	Test Voltage, V_{DD}	Result
2450	CW	> 5:1 at all Phase Angles	26 (3 dB Overdrive)	32	No Device Degradation

Table 8. Ordering Information

Device	Tape and Reel Information	Package
MHT1008NT1	T1 Suffix = 1,000 Units, 16 mm Tape Width, 7-inch Reel	PLD-1.5W

TYPICAL CHARACTERISTICS

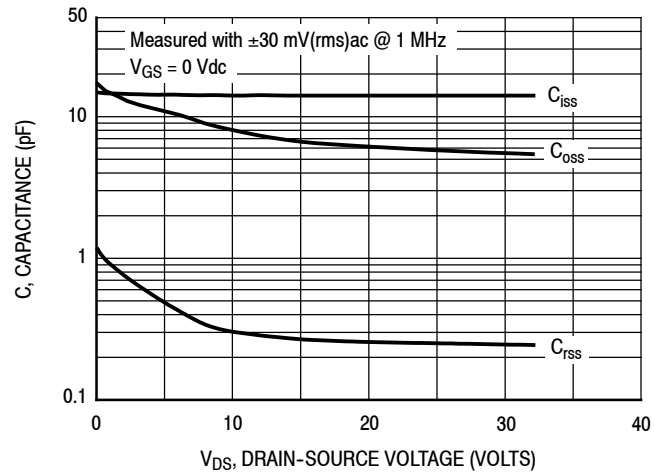
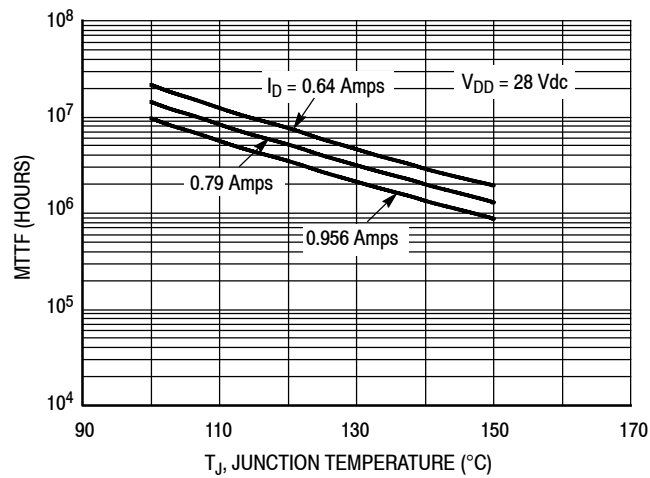


Figure 2. Capacitance versus Drain-Source Voltage



Note: MTTF value represents the total cumulative operating time under indicated test conditions.

MTTF calculator available at <http://www.nxp.com/RF/calculators>.

Figure 3. MTTF versus Junction Temperature - CW

Table 9. Load Pull Performance — Maximum Power Tuning

V_{DD} = 28 Vdc, I_{DQ} = 110 mA, Pulsed CW, 10 μsec(on), 10% Duty Cycle

f (MHz)	Z _{source} (Ω)	Z _{in} (Ω)	Max Output Power					
			P1dB					
			Z _{load} ⁽¹⁾ (Ω)	Gain (dB)	(dBm)	(W)	η _D (%)	PAE (%)
2400	1.17 – j4.20	1.06 + j3.49	5.82 + j0.19	19.6	42.2	17	58.5	57.6
2450	1.32 – j4.43	1.02 + j3.75	5.72 – j0.22	19.1	42.1	16	56.3	55.4
2500	1.31 – j4.68	1.11 + j4.20	5.38 – j0.45	19.1	42.0	16	56.0	55.7

f (MHz)	Z _{source} (Ω)	Z _{in} (Ω)	Max Output Power					
			P3dB					
			Z _{load} ⁽²⁾ (Ω)	Gain (dB)	(dBm)	(W)	η _D (%)	PAE (%)
2400	1.17 – j4.20	0.99 + j3.85	6.57 – j0.19	17.5	42.9	20	57.5	56.2
2450	1.32 – j4.43	0.94 + j4.07	6.48 – j0.57	17.0	42.8	19	56.1	54.8
2500	1.31 – j4.68	1.03 + j4.53	6.16 – j0.78	17.0	42.7	19	55.6	54.5

(1) Load impedance for optimum P1dB power.

(2) Load impedance for optimum P3dB power.

Z_{source} = Measured impedance presented to the input of the device at the package reference plane.

Z_{in} = Impedance as measured from gate contact to ground.

Z_{load} = Measured impedance presented to the output of the device at the package reference plane.

Table 10. Load Pull Performance — Maximum Efficiency Tuning

V_{DD} = 28 Vdc, I_{DQ} = 110 mA, Pulsed CW, 10 μsec(on), 10% Duty Cycle

f (MHz)	Z _{source} (Ω)	Z _{in} (Ω)	Max Efficiency					
			P1dB					
			Z _{load} ⁽¹⁾ (Ω)	Gain (dB)	(dBm)	(W)	η _D (%)	PAE (%)
2400	1.17 – j4.20	0.84 + j3.37	3.81 + j2.36	20.9	41.2	13	64.1	63.6
2450	1.32 – j4.43	0.84 + j3.64	4.11 + j1.95	20.4	41.2	13	62.0	61.4
2500	1.31 – j4.68	0.93 + j4.07	3.77 + j1.47	20.3	41.2	13	61.6	61.0

f (MHz)	Z _{source} (Ω)	Z _{in} (Ω)	Max Efficiency					
			P3dB					
			Z _{load} ⁽²⁾ (Ω)	Gain (dB)	(dBm)	(W)	η _D (%)	PAE (%)
2400	1.17 – j4.20	0.81 + j3.70	4.18 + j2.19	18.8	42.0	16	63.4	62.6
2450	1.32 – j4.43	0.81 + j3.94	4.43 + j1.56	18.2	42.1	16	61.5	60.6
2500	1.31 – j4.68	0.89 + j4.39	3.96 + j1.16	18.1	41.9	16	61.2	60.2

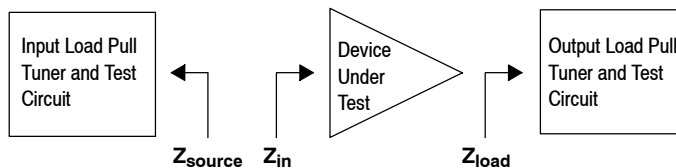
(1) Load impedance for optimum P1dB efficiency.

(2) Load impedance for optimum P3dB efficiency.

Z_{source} = Measured impedance presented to the input of the device at the package reference plane.

Z_{in} = Impedance as measured from gate contact to ground.

Z_{load} = Measured impedance presented to the output of the device at the package reference plane.



P3dB – TYPICAL LOAD PULL CONTOURS — 2450 MHz

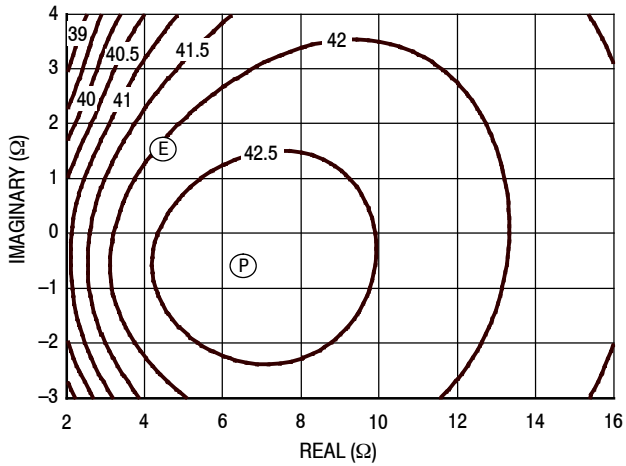


Figure 4. P3dB Load Pull Output Power Contours (dBm)

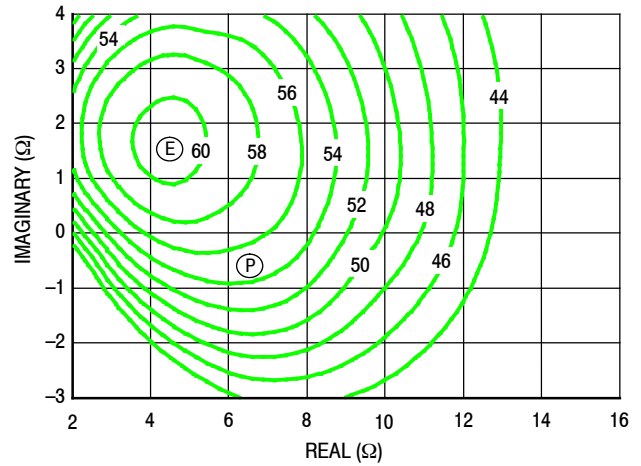


Figure 5. P3dB Load Pull PAE Contours (%)

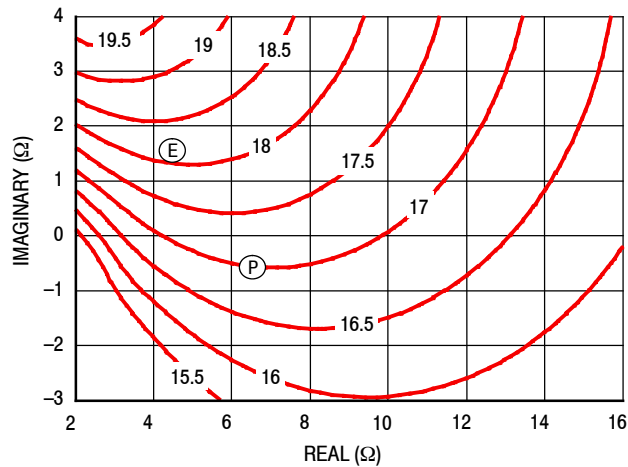


Figure 6. P3dB Load Pull Gain Contours (dB)

NOTE: (P) = Maximum Output Power
(E) = Maximum Power Added Efficiency

- Gain
- Power Added Efficiency
- Output Power

2450 MHz REFERENCE CIRCUIT — 3" × 5" (7.6 cm × 12.7 cm)

Table 11. 2450 MHz Performance (In Freescale Reference Circuit, 50 ohm system)

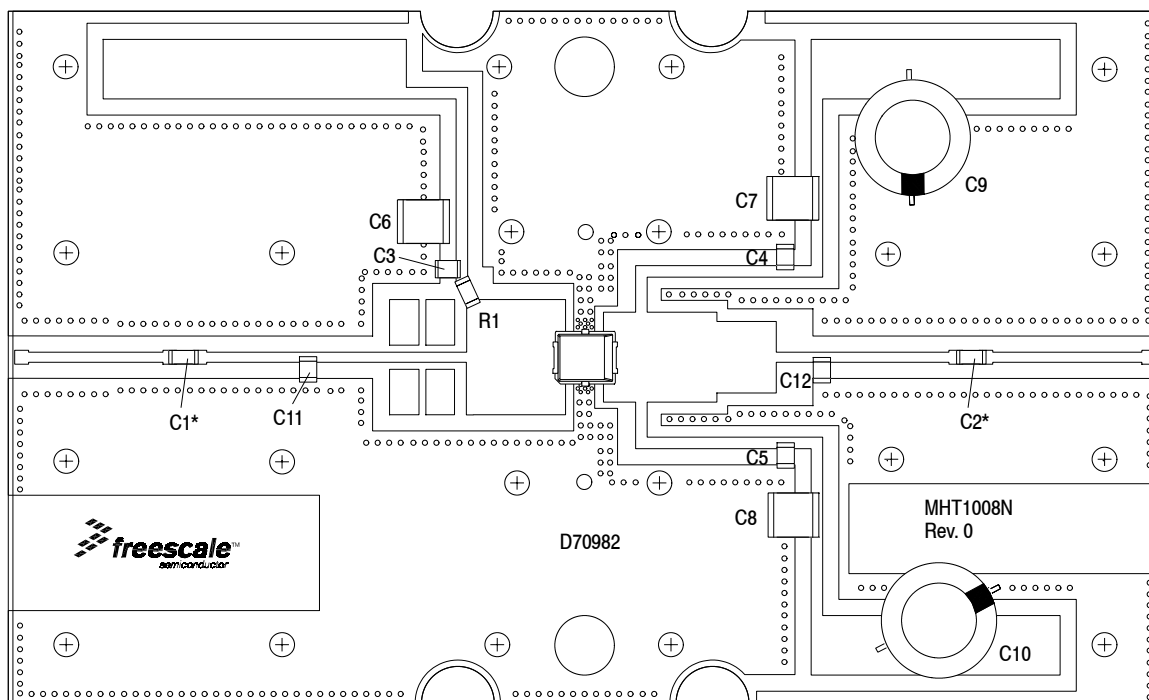
$V_{DD} = 28 \text{ Vdc}$, $I_{DQ} = 110 \text{ mA}$, $T_A = 25^\circ\text{C}$

Frequency (MHz)	P_{in} (dBm)	G_{ps} (dB)	η_D (%)	PAE (%)	P_{out} (W)
2400	22.5	18.5	58.7	57.5	12.5
2450	22.5	18.6	57.2	56.3	12.5
2500	22.7	18.3	56.3	55.6	12.5

Table 12. Load Mismatch/Ruggedness (In Freescale Reference Circuit)

Frequency (MHz)	Signal Type	VSWR	P_{in} (dBm)	Test Voltage, V_{DD}	Result
2450	CW	> 5:1 at all Phase Angles	26 (3 dB Overdrive)	32	No Device Degradation

2450 MHz REFERENCE CIRCUIT — 3" x 5" (7.6 cm x 12.7 cm)



*C1 and C2 are mounted vertically.

Figure 7. MHT1008N Reference Circuit Component Layout — 2450 MHz

Table 13. MHT1008N Reference Circuit Component Designations and Values — 2450 MHz

Part	Description	Part Number	Manufacturer
C1, C2, C3, C4, C5	6.8 pF Chip Capacitors	ATC100B6R8CT1500XT	ATC
C6, C7, C8	10 μ F Chip Capacitors	C5750X7S2A106M230KB	TDK
C9, C10	220 μ F Electrolytic Capacitors	227CKS050M	Illinois Capacitor
C11	1.0 pF Chip Capacitor	ATC100B1R0BT1500XT	ATC
C12	1.3 pF Chip Capacitor	ATC100B1R3BT1500XT	ATC
Q1	RF Power LDMOS Transistor	MHT1008N	NXP
R1	4.7 Ω , 1/4 W Chip Resistor	CRCW12064R70FKEA	Vishay
PCB	Rogers RO4350B, 0.020", $\epsilon_r = 3.66$	D70982	MTL

TYPICAL CHARACTERISTICS — 2450 MHz REFERENCE CIRCUIT

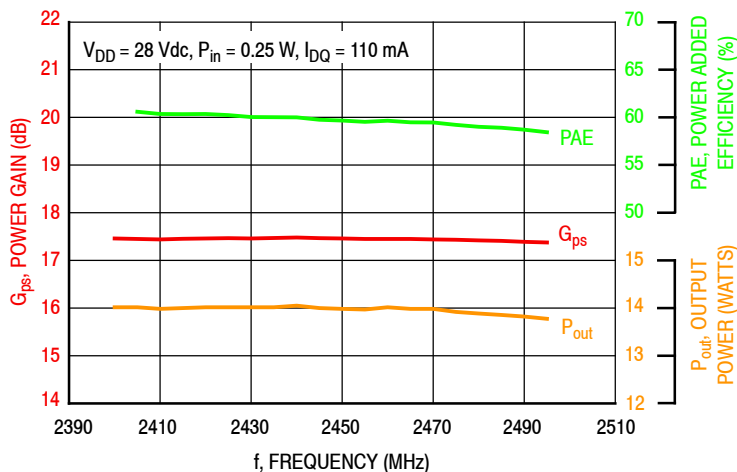


Figure 8. Power Gain, Power Added Efficiency and Output Power versus Frequency at a Constant Input Power

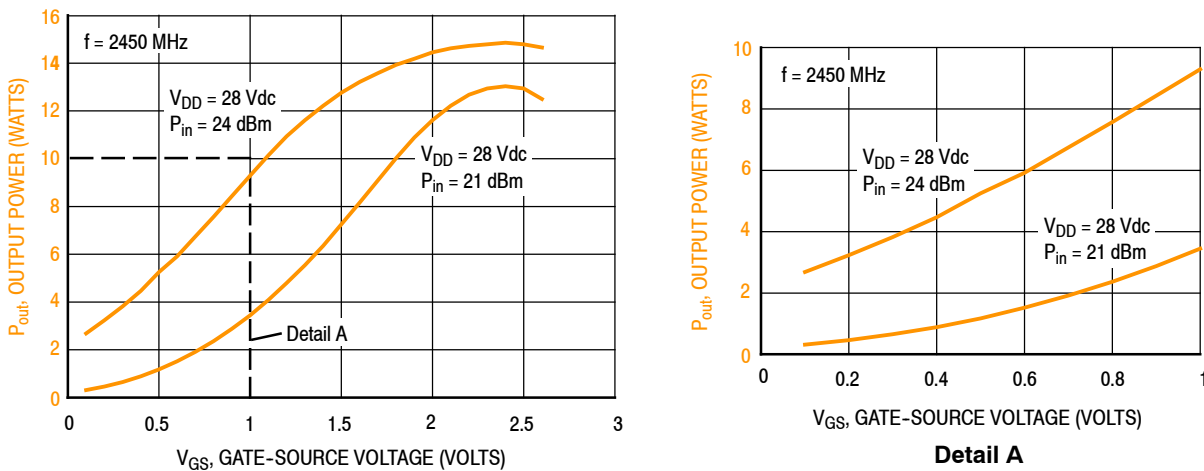


Figure 9. Output Power versus Gate-Source Voltage

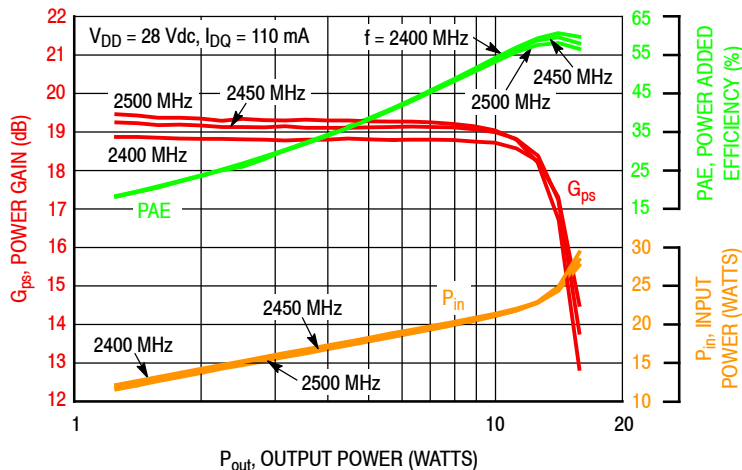


Figure 10. Power Gain, Power Added Efficiency and Input Power versus Output Power and Frequency

TYPICAL CHARACTERISTICS — 2450 MHz REFERENCE CIRCUIT

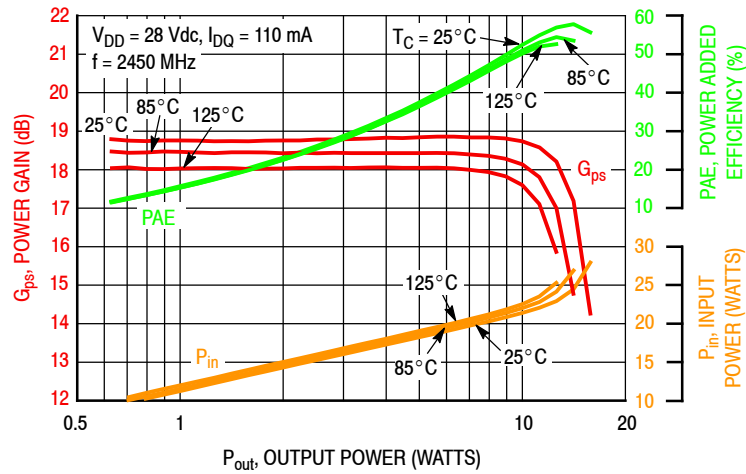


Figure 11. Power Gain, Power Added Efficiency and Input Power versus Output Power and Temperature

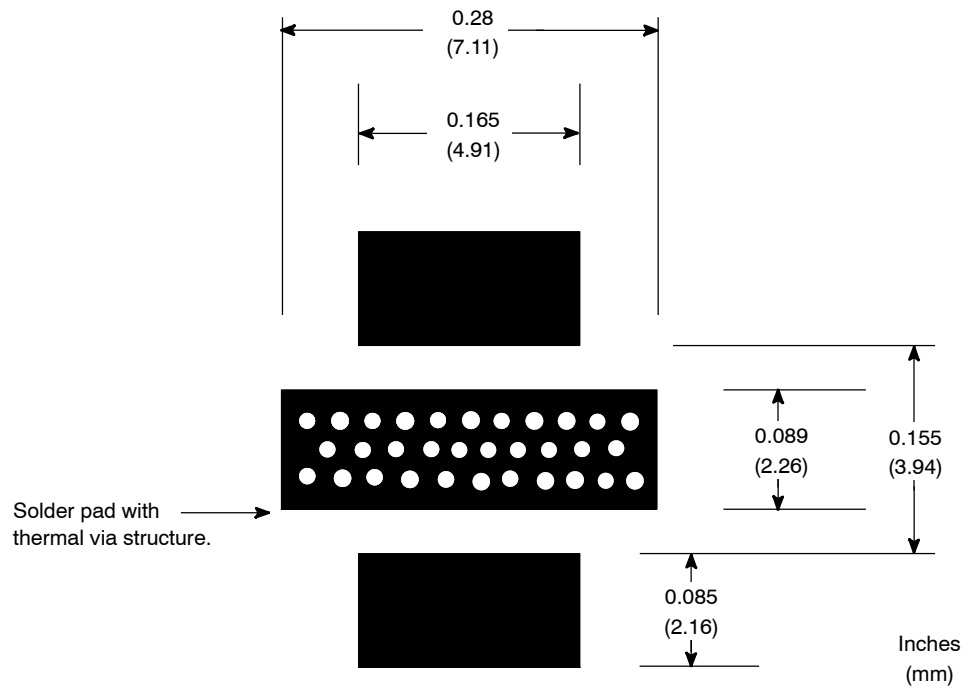


Figure 12. PCB Pad Layout for PLD-1.5W

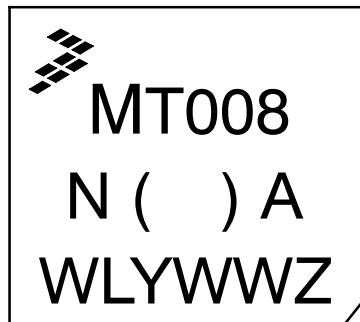
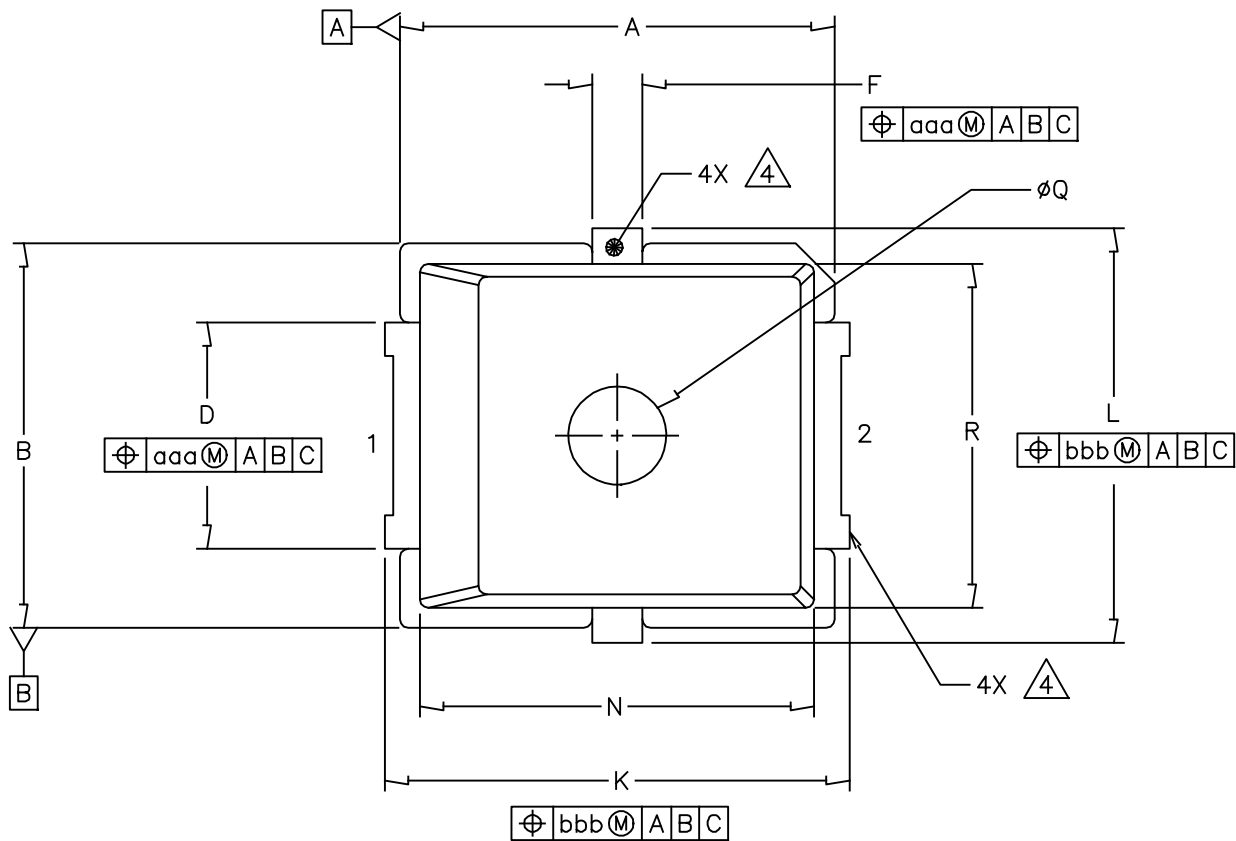
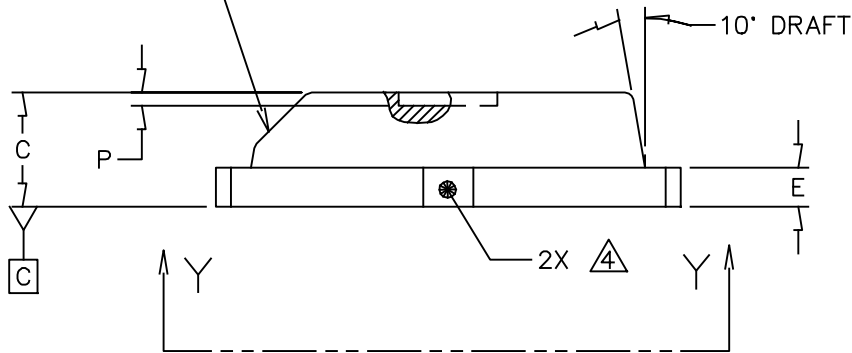


Figure 13. Product Marking

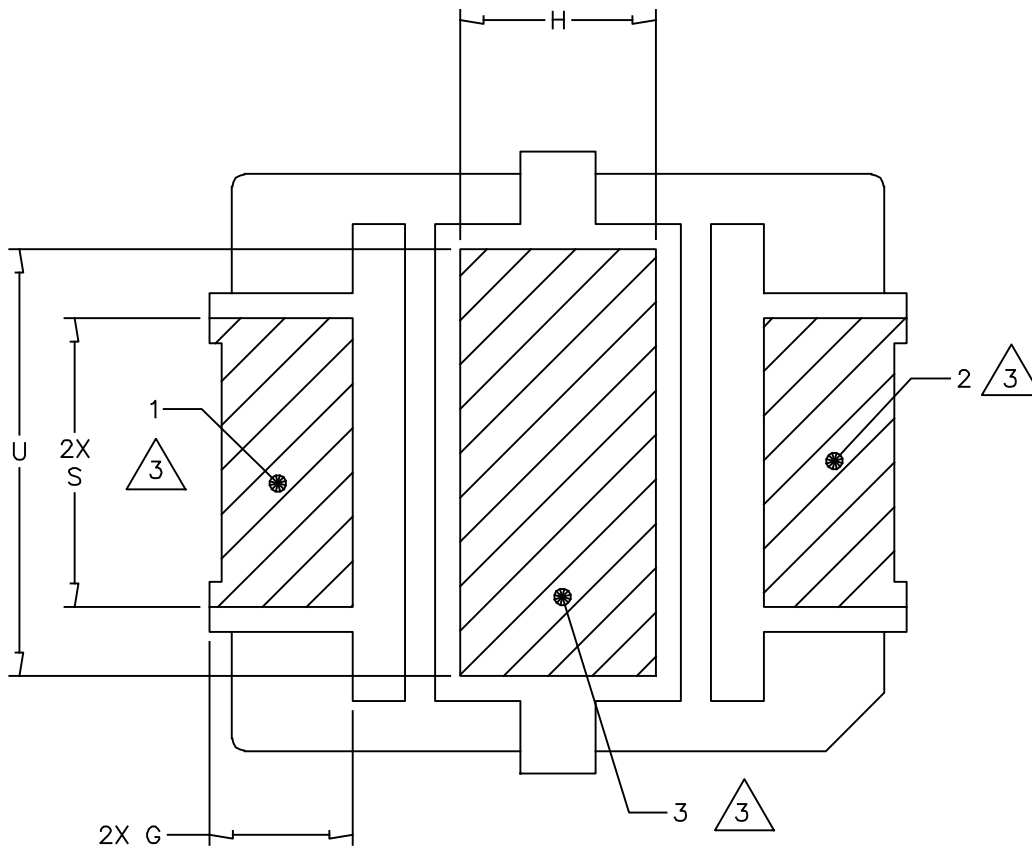
PACKAGE DIMENSIONS



.035(0.89) X 45°±5°



© FREESCALE SEMICONDUCTOR, INC. ALL RIGHTS RESERVED.		MECHANICAL OUTLINE		PRINT VERSION NOT TO SCALE	
TITLE: PLD-1.5W		DOCUMENT NO: 98ASA00476D		REV: 0	
		CASE NUMBER: 2297-01		14 JUN 2012	
		STANDARD: NON-JEDEC			



VIEW Y-Y

© FREESCALE SEMICONDUCTOR, INC. ALL RIGHTS RESERVED.	MECHANICAL OUTLINE	PRINT VERSION NOT TO SCALE	
TITLE: PLD-1.5W	DOCUMENT NO: 98ASA00476D	REV: 0	
	CASE NUMBER: 2297-01	14 JUN 2012	
	STANDARD: NON-JEDEC		

NOTES:

1. CONTROLLING DIMENSION: INCH.
2. INTERPRET DIMENSIONS AND TOLERANCES PER ASME Y14.5M-1994.

3. HATCHING REPRESENTS THE EXPOSED AND SOLDERABLE AREA. DIMENSIONS G, S, H AND U REPRESENT THE VALUES BETWEEN THE TWO OPPOSITE POINTS ALONG THE EDGES OF EXPOSED AREA.

4. THESE SURFACES ARE NOT PART OF THE SOLDERABLE SURFACES AND MAY REMAIN UNPLATED.

DIM	INCH		MILLIMETER		DIM	INCH		MILLIMETER	
	MIN	MAX	MIN	MAX		MIN	MAX	MIN	MAX
A	.255	.265	6.48	6.73	Q	.055	.063	1.40	1.60
B	.225	.235	5.72	5.97	R	.200	.210	5.08	5.33
C	.065	.072	1.65	1.83	S	.110	—	2.79	—
D	.130	.150	3.30	3.81	U	.156	—	3.96	—
E	.021	.026	0.53	0.66	aaa		.004		0.10
F	.026	.044	0.66	1.12	bbb		.005		0.13
G	.038	—	0.97	—					
H	.069	—	1.75	—					
J	.160	.180	4.06	4.57					
K	.273	.285	6.93	7.24					
L	.245	.255	6.22	6.48					
N	.230	.240	5.84	6.10					
P	.000	.008	0.00	0.20					
© FREESCALE SEMICONDUCTOR, INC. ALL RIGHTS RESERVED.			MECHANICAL OUTLINE			PRINT VERSION NOT TO SCALE			
TITLE: PLD-1.5W					DOCUMENT NO: 98ASA00476D			REV: 0	
					CASE NUMBER: 2297-01			14 JUN 2012	
					STANDARD: NON-JEDEC				

PRODUCT DOCUMENTATION, SOFTWARE AND TOOLS

Refer to the resources to aid your design process.

Application Notes

- AN1907: Solder Reflow Attach Method for High Power RF Devices in Over-Molded Plastic Packages
- AN1955: Thermal Measurement Methodology of RF Power Amplifiers

Engineering Bulletins

- EB212: Using Data Sheet Impedances for RF LDMOS Devices

Software

- Electromigration MTTF Calculator
- RF High Power Model
- .s2p File

Development Tools

- Printed Circuit Boards

To Download Resources Specific to a Given Part Number:

1. Go to <http://www.nxp.com/RF>
2. Search by part number
3. Click part number link
4. Choose the desired resource from the drop down menu

REVISION HISTORY

The following table summarizes revisions to this document.

Revision	Date	Description
0	May 2016	• Initial Release of Data Sheet

How to Reach Us:

Home Page:
freescale.com

Web Support:
freescale.com/support

Information in this document is provided solely to enable system and software implementers to use Freescale products. There are no express or implied copyright licenses granted hereunder to design or fabricate any integrated circuits based on the information in this document.

Freescale reserves the right to make changes without further notice to any products herein. Freescale makes no warranty, representation, or guarantee regarding the suitability of its products for any particular purpose, nor does Freescale assume any liability arising out of the application or use of any product or circuit, and specifically disclaims any and all liability, including without limitation consequential or incidental damages. "Typical" parameters that may be provided in Freescale data sheets and/or specifications can and do vary in different applications, and actual performance may vary over time. All operating parameters, including "typicals," must be validated for each customer application by customer's technical experts. Freescale does not convey any license under its patent rights nor the rights of others. Freescale sells products pursuant to standard terms and conditions of sale, which can be found at the following address: freescale.com/SalesTermsandConditions.

Freescale and the Freescale logo are trademarks of Freescale Semiconductor, Inc., Reg. U.S. Pat. & Tm. Off. All other product or service names are the property of their respective owners.

© 2016 Freescale Semiconductor, Inc.



Компания «Life Electronics» занимается поставками электронных компонентов импортного и отечественного производства от производителей и со складов крупных дистрибьюторов Европы, Америки и Азии.

С конца 2013 года компания активно расширяет линейку поставок компонентов по направлению коаксиальный кабель, кварцевые генераторы и конденсаторы (керамические, пленочные, электролитические), за счёт заключения дистрибьюторских договоров

Мы предлагаем:

- Конкурентоспособные цены и скидки постоянным клиентам.
- Специальные условия для постоянных клиентов.
- Подбор аналогов.
- Поставку компонентов в любых объемах, удовлетворяющих вашим потребностям.
- Приемлемые сроки поставки, возможна ускоренная поставка.
- Доставку товара в любую точку России и стран СНГ.
- Комплексную поставку.
- Работу по проектам и поставку образцов.
- Формирование склада под заказчика.
- Сертификаты соответствия на поставляемую продукцию (по желанию клиента).
- Тестирование поставляемой продукции.
- Поставку компонентов, требующих военную и космическую приемку.
- Входной контроль качества.
- Наличие сертификата ISO.

В составе нашей компании организован Конструкторский отдел, призванный помогать разработчикам, и инженерам.

Конструкторский отдел помогает осуществить:

- Регистрацию проекта у производителя компонентов.
- Техническую поддержку проекта.
- Защиту от снятия компонента с производства.
- Оценку стоимости проекта по компонентам.
- Изготовление тестовой платы монтаж и пусконаладочные работы.



Тел: +7 (812) 336 43 04 (многоканальный)
Email: org@lifeelectronics.ru