

### LSP10 Module Series



#### Agency Approvals

| Agency  | Standard | Agency File Number |
|---|----------|--------------------|
|  | UL1449   | E320116            |

#### Applications

- Outdoor and Commercial LED Lighting
- Roadway lighting
- Traffic lighting
- Digital signage
- Wash wall lighting
- Parking garage/lot lighting
- Flood lighting
- Tunnel lighting
- Street lighting

#### Additional Information



Datashheet



Resources



Samples

#### Description

The Littelfuse LSP10 thermally protected Surge Protective Device is a self-protected device which is specially designed to be used in outdoor and commercial LED lighting fixtures for transient overvoltage protection. It is constructed with Littelfuse thermally protected varistor technology. Its built-in thermal disconnect function provides additional protection to prevent catastrophic failure and fire hazard even under the extreme circumstances of varistor end-of-life or sustaining over voltage conditions. LSP10 series connected option allows clear indication of thermal fault protection by disconnecting power to luminaire thereby signally SPD module replacement. The LSP10 SPD facilitates customer's product compliance to IEEE C62.41.2 Location Category C High and US Dept of Energy MSSLC Model Spec.

#### Features

- Maximum Discharge Current, 20kA, 8/20 $\mu$ s
- Meets ANSI C136.2 Extreme Level 20kV/10kA and IEEE C62.41.2 Location Category C High Exposure
- Parallel connected and Series connected SPD options
- Thermally protected Varistor technology
- IP66 Water-proof and Dust-proof
- Series connected – Varistor thermal protection indication by removal of power to luminaire
- Indication wire lead options for Parallel connected modules
- IEC61643-11 Class II/ EN61643-11 Type 2 Compliant<sup>1</sup>
- Compact form factor (48x48x30mm) with mounting tabs
- 240Vac and 277Vac are CE compliant and available for Class I and Class II installation based on IEC luminaire protection classes. Please see details in Part Numbering System.

Notes:

1. Self-declared compliance.\*

#### Absolute Maximum Ratings

\* For ratings of individual members of a series, see Device Ratings and Specifications chart

|  | LSP10 Series | Units      |
|--|--------------|------------|
| <b>Continous:</b>  |              |            |
| AC Voltage Range ( $V_{M(AC)RMS}$ )                              | 150 to 510   | V          |
| Continuous Current*  | 5            | A          |
| <b>Transient:</b>  |              |            |
| Maximum Discharge Current 8/20 $\mu$ s Waveform ( $I_{max}$ )    | 20,000       | A          |
| Nominal Discharge Current 8/20 $\mu$ s Waveform ( $I_n$ )        | 10,000       | A          |
| Operating Ambient Temperature Range ( $T_A$ )                    | -45 to +85   | °C         |
| Storage Temperature Range ( $T_{STG}$ )                          | -45 to +110  | °C         |
| Isolation Voltage Capability (When the thermal disconnect opens) | 600          | V          |
| Insulation Resistance  | >1,000       | M $\Omega$ |

Note: \* = Max. continuous current for series connection.

**CAUTION:** Stresses above those listed in "Absolute Maximum Ratings" may cause permanent damage to the device. This is a stress only rating and operation of the device at these or any other conditions above those indicated in the operational sections of this specification is not implied.

**LSP10 Series Device Ratings & Specifications**

| Part Number <sup>8</sup> | Operating Voltage (VAC) | MCOV/Uc (VAC) <sup>6</sup> | Maximum Discharge Current (Imax)(A) <sup>3</sup> | Nominal Discharge Current (In)(A) <sup>2</sup> | MLV (V) <sup>4</sup>             | Up (V) <sup>5</sup> | Safety Compliance            |        |
|--------------------------|-------------------------|----------------------------|--|--|----------------------------------|---------------------|------------------------------|--------|
|                          |                         |                            |  |  |                                  |                     | IEC/EN 61643-11 <sup>7</sup> | UL1449 |
| LSP10120*                | 120                     | 150                        | 20,000   | 10,000   | L-N:740<br>L-G:740<br>N-G:670    | 900                 |                              | X      |
| LSP10240*                | 240                     | 275                        | 20,000   | 10,000   | L-N:1130<br>L-G:1130<br>N-G:1060 | 1200                | X                            | X      |
| LSP10277*                | 277                     | 320                        | 20,000   | 10,000   | L-N:1330<br>L-G:1330<br>N-G:1260 | 1400                | X                            | X      |
| LSP10347*                | 347                     | 420                        | 20,000   | 10,000   | L-N:1750<br>L-G:1750<br>N-G:1680 | 1900                |                              | X      |
| LSP10480*                | 480                     | 510                        | 20,000   | 10,000   | L-N:2020<br>L-G:2020<br>N-G:1960 | 2100                |                              | X      |
| LSP10240LL*              | L-L:240                 | L-L:275                    | 20,000   | 10,000   | L-L:1130                         | L-L:1200            |                              | X      |
|                          | L-N/G:120               | L-N/G:150                  |  |  | L-N/G:740                        | L-N/G:900           |                              | X      |
| LSP10480LL*              | L-L:480                 | L-L:510                    | 20,000   | 10,000   | L-L:2020                         | L-L:2100            |                              | X      |
|                          | L-N/G:277               | L-N/G:320                  |  |  | L-N/G:1330                       | L-N/G:1400          |                              | X      |

- NOTES:
- 5A max. continuous current for series connection.
  - Nominal Discharge Current (In)(A): The nominal discharge current is a measure of the SPDs endurance capability; 15 impulses of discharge current uses the 8/20us current waveform.
  - Maximum Discharge Current (Imax)(A): The maximum discharge current is a measure of the SPDs maximum capability; single impulse of discharge current uses the 8/20us current waveform. All Devices pass maximum discharge current with possible, safe opening of thermal disconnect.
  - MLV – UL1449 Measured limiting voltage; the highest value of residual voltage measurements during the application of impulses of 8/20us nominal discharge current (In); an average voltage value of 15 impulses.
  - Up – IEC 61643-11 Voltage protection level; the highest value of residual voltage measurements during the application of impulses of 8/20us nominal discharge current (In); a rounding voltage value of maximum measurement.
  - MCOV/UC: Maximum Continuous Operating Voltage - maximum r.m.s. voltage that could be continuously applied to the SPD.
  - Series module used in parallel connection for indication circuit connection.
  - \* = - P or PM

**Dimensions**

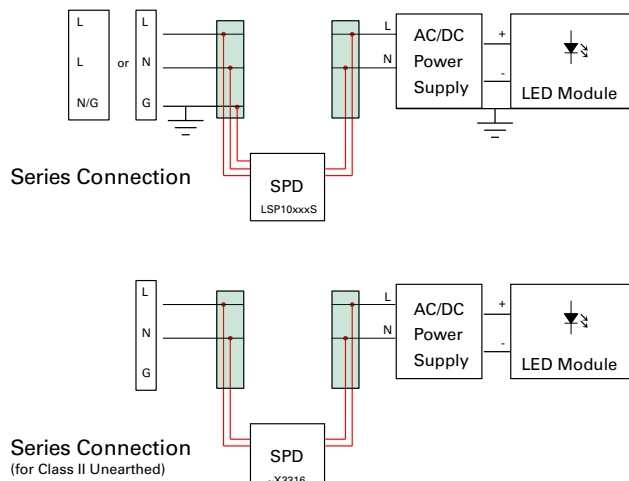


- Notes:
- Black: Line; White: Neutral; Green: Ground.  
(P/N with suffix X3333/X3316: Brown: Line; Blue: Neutral; Green-Yellow stripe: Ground)
  - Wire Gauge: AWG14 wire Line in/out; Wire Length: 100mm or customized.

### Application/Installation Schematic



- Notes:
1. Series module used in parallel connection for indication circuit connection.
  2. LED indicator and associated circuitry are not included in the module.
  3. Black wire is AC line voltage (hot); white wire is AC neutral voltage.
  4. Black wire voltage is cut off when SPD needs replacement.
  5. R is current limiting resistor; its resistance/wattage is determined by AC line voltage and desired current driving LED. Example: AC line voltage 240V, LED: 1.6mA, resistor: 150Kohm/0.5W.



### Part Numbering System



Компания «Life Electronics» занимается поставками электронных компонентов импортного и отечественного производства от производителей и со складов крупных дистрибьюторов Европы, Америки и Азии.

С конца 2013 года компания активно расширяет линейку поставок компонентов по направлению коаксиальный кабель, кварцевые генераторы и конденсаторы (керамические, пленочные, электролитические), за счёт заключения дистрибьюторских договоров

Мы предлагаем:

- Конкурентоспособные цены и скидки постоянным клиентам.
- Специальные условия для постоянных клиентов.
- Подбор аналогов.
- Поставку компонентов в любых объемах, удовлетворяющих вашим потребностям.
- Приемлемые сроки поставки, возможна ускоренная поставка.
- Доставку товара в любую точку России и стран СНГ.
- Комплексную поставку.
- Работу по проектам и поставку образцов.
- Формирование склада под заказчика.
- Сертификаты соответствия на поставляемую продукцию (по желанию клиента).
- Тестирование поставляемой продукции.
- Поставку компонентов, требующих военную и космическую приемку.
- Входной контроль качества.
- Наличие сертификата ISO.

В составе нашей компании организован Конструкторский отдел, призванный помогать разработчикам, и инженерам.

Конструкторский отдел помогает осуществить:

- Регистрацию проекта у производителя компонентов.
- Техническую поддержку проекта.
- Защиту от снятия компонента с производства.
- Оценку стоимости проекта по компонентам.
- Изготовление тестовой платы монтаж и пусконаладочные работы.



Тел: +7 (812) 336 43 04 (многоканальный)  
Email: [org@lifeelectronics.ru](mailto:org@lifeelectronics.ru)