



SY88933AL

3.3V, 1.25Gbps PECL High-Sensitivity Limiting Post Amplifier w/TTL Signal Detect

General Description

The SY88933AL high-sensitivity limiting post amplifier is designed for use in fiber-optic receivers. The device connects to typical transimpedance amplifiers (TIAs). The linear signal output from TIAs can contain significant amounts of noise and may vary in amplitude over time. The SY88933AL quantizes these signals and outputs PECL level waveforms.

The SY88933AL operates from a single +3.3V power supply, over temperatures ranging from -40°C to $+85^{\circ}\text{C}$. With its wide bandwidth and high gain, signal with data rates up to 1.25Gbps and as small as 5mV_{PP} can be amplified to drive devices with PECL inputs.

The SY88933AL generates a high gain signal-detect (SD) open-collector TTL output. The SD function has a high gain input stage for increased sensitivity. A programmable signal-detect level set pin (SD_{LVL}) sets the sensitivity of the input amplitude detection. SD asserts high if the input amplitude rises above the threshold set by SD_{LVL} and de-asserts low otherwise. The enable input (EN) de-asserts the true output signal without removing the input signal. The SD output can be fed back to the EN input to maintain output stability under a loss-of-signal condition. Typically, 3.4dB SD hysteresis is provided to prevent chattering.

All support documentation can be found on Micrel's web site at: www.micrel.com.

Features

- Single 3.3V power supply
- DC-to-1.25Gbps operation
- Low-noise PECL data outputs
- High gain SD
- Chatter-free open-collector TTL signal detect (SD) output with internal $4.75\text{k}\Omega$ pull-up resistor
- TTL EN input
- Programmable SD level set (SD_{LVL})
- Available in a tiny 10-pin MSOP package
- Pin-compatible with SY88933V

Applications

- GPON/BPON/EPON/GEPON
- Gigabit Ethernet
- 531Mbps and 1062Mbps Fibre Channel
- OC-3 and OC-12 SONET/SDH
- High-gain line driver and line receiver
- Low-gain TIA interface

Markets

- FTTX
- Optical transceiver
- Datacom/telecom

MLF and MicroLeadFrame are registered trademarks of Amkor Technology.

Micrel Inc. • 2180 Fortune Drive • San Jose, CA 95131 • USA • tel +1 (408) 944-0800 • fax + 1 (408) 474-1000 • <http://www.micrel.com>

February 2007

M9999-021207-B
hbwhelp@micrel.com or (408) 955-1690

Typical Application Circuit



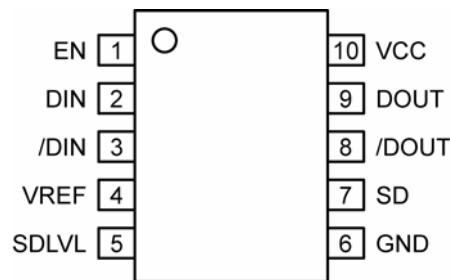
Ordering Information

| Part Number | Package Type | Operating Range | Package Marking | Lead Finish |
|------------------------------|--------------|-----------------|--------------------------------------|----------------|
| SY88933ALKG | K10-1 | Industrial | 933A with Pb-Free bar line indicator | NiPdAu Pb-Free |
| SY88933ALKGTR ⁽¹⁾ | K10-1 | Industrial | 933A with Pb-Free bar line indicator | NiPdAu Pb-Free |
| SY88933ALKI | K10-1 | Industrial | 933A | SnPb |
| SY88933ALKITR ⁽¹⁾ | K10-1 | Industrial | 933A | SnPb |

Note:

1. Tape and Reel.

Pin Configuration



10-Pin MSOP (K10-1)

Pin Description

| Pin Number | Pin Name | Type | Pin Function |
|------------|----------|--|--|
| 1 | EN | TTL Input: Default is HIGH. | Enable: This input enables the outputs when it is HIGH. Note that this input is internally connected to a 25kΩ pull-up resistor and will default to a logic HIGH state if left open. |
| 2 | DIN | Data Input | True data input. |
| 3 | /DIN | Data Input | Complementary data input. |
| 4 | VREF | | Reference voltage: Placing a capacitor here to V _{CC} helps stabilize SD _{LVL} . |
| 5 | SDLVL | Input | Signal-Detect Level Set: a resistor from this pin to V _{CC} sets the threshold for the data input amplitude at which SD will be asserted. |
| 6 | GND | Ground | Device ground. |
| 7 | SD | Open-collector TTL output w/internal 4.75kΩ pull-up resistor | Signal-Detect: asserts high when the data input amplitude rises above the threshold set by SD _{LVL} . |
| 8 | /DOUT | PECL Output | Complementary data output. |
| 9 | DOUT | PECL Output | True data output. |
| 10 | VCC | Power Supply | Positive power supply. |

Absolute Maximum Ratings⁽¹⁾

| | |
|--------------------------------------|------------------------------|
| Supply Voltage (V_{CC}) | 0V to +7.0V |
| Input Voltage (DIN, /DIN) | 0 to V_{CC} |
| Output Current (I_{OUT}) | |
| Continuous | 50mA |
| Surge | 100mA |
| EN Voltage | 0 to V_{CC} |
| V_{REF} Current | -800 μ A to +500 μ A |
| SD_{LVL} Voltage | V_{REF} to V_{CC} |
| Lead Temperature (soldering, 20sec.) | 260°C |
| Storage Temperature (T_s) | -65°C to +150°C |

Operating Ratings⁽²⁾

| | |
|----------------------------------|-----------------|
| Supply Voltage (V_{CC}) | +3.0V to +3.6V |
| Ambient Temperature (T_A) | -40°C to +85°C |
| Junction Temperature (T_J) | -40°C to +120°C |
| Junction Thermal Resistance | |
| MSOP (θ_{JA}) Still-air | 113°C/W |

DC Electrical Characteristics

$V_{CC} = +3.0V$ to $+3.6V$; $R_{LOAD} = 50\Omega$ to $V_{CC}-2V$; $T_A = -40^\circ C$ to $+85^\circ C$; typical values at $V_{CC} = +3.3V$, $T_A = +25^\circ C$.

| Symbol | Parameter | Condition | Min | Typ | Max | Units |
|-------------|--------------------------|----------------|----------------|----------------|----------------|-------|
| I_{CC} | Power Supply Current | No output load | | 26 | 39 | mA |
| SD_{LVL} | SD_{LVL} Voltage | | V_{REF} | | V_{CC} | V |
| V_{OH} | PECL Output HIGH Voltage | | $V_{CC}-1.085$ | $V_{CC}-0.955$ | $V_{CC}-0.880$ | V |
| V_{OL} | PECL Output LOW Voltage | | $V_{CC}-1.850$ | $V_{CC}-1.705$ | $V_{CC}-1.555$ | V |
| V_{IHCMR} | Common Mode Range | | GND+2.0 | | V_{CC} | V |
| V_{REF} | Reference Voltage | | $V_{CC}-1.48$ | $V_{CC}-1.32$ | $V_{CC}-1.16$ | V |

TTL DC Electrical Characteristics

$V_{CC} = 3.0V$ to $3.6V$; $R_{LOAD} = 50\Omega$ to $V_{CC}-2V$; $T_A = -40^\circ C$ to $+85^\circ C$.

| Symbol | Parameter | Condition | Min | Typ | Max | Units |
|----------|-----------------------|---|------------|-----|-----------|--------------------|
| V_{IH} | EN Input HIGH Voltage | | 2.0 | | | V |
| V_{IL} | EN Input LOW Voltage | | | | 0.8 | V |
| I_{IH} | EN Input HIGH Current | $V_{IN} = 2.7V$ $V_{IN} = V_{CC}$ | | | 20 100 | μ A μ A |
| I_{IL} | EN Input LOW Current | $V_{IN} = 0.5V$ | -0.3 | | | mA |
| V_{OH} | SD Output HIGH Level | $V_{CC} \geq 3.3V$, $I_{OH-MAX} < 160\mu A$ $V_{CC} < 3.3V$, $I_{OH-MAX} < 160\mu A$ | 2.4 2.0 | | | V V |
| V_{OL} | SD Output LOW Level | $I_{OL} = +2mA$ | | | 0.5 | V |

Notes:

- Permanent device damage may occur if absolute maximum ratings are exceeded. This is a stress rating only and functional operation is not implied at conditions other than those detailed in the operational sections of this data sheet. Exposure to absolute maximum rating conditions for extended periods may affect device reliability.
- The data sheet limits are not guaranteed if the device is operated beyond the operating ratings.

AC Electrical Characteristics

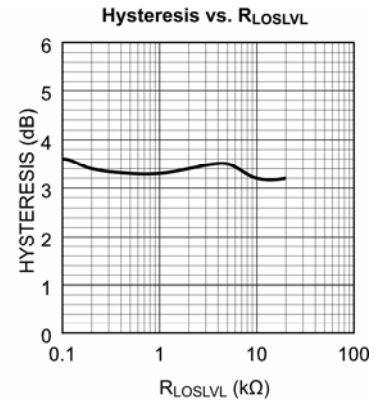
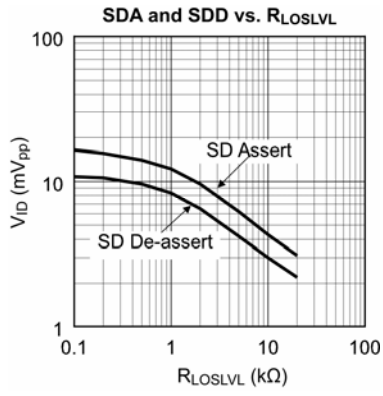
$V_{CC} = 3.0V$ to $3.6V$; $R_{LOAD} = 50\ \Omega$ to $V_{CC}-2V$; $T_A = -40^{\circ}C$ to $+85^{\circ}C$; typical values at $V_{CC} = +3.3V$, $T_A = +25^{\circ}C$.

| Symbol | Parameter | Condition | Min | Typ | Max | Units |
|---------------|---------------------------------------|------------------------------------|-----|---------|------|---------------------------------------|
| PSRR | Power Supply Rejection Ratio | | | 35 | | dB |
| t_r, t_f | Output Rise/Fall Time (20% to 80%) | Note 3 | | | 260 | ps |
| t_{JITTER} | Deterministic Random | Note 4 Note 5 | | 15 5 | | ps _{pp} ps _{RMS} |
| V_{ID} | Differential Input Voltage Swing | Figure 1 | 5 | | 1800 | mV _{pp} |
| V_{OD} | Differential Output Voltage Swing | $V_{ID} \geq 18mV_{pp}$, Figure 1 | | 1500 | | mV _{pp} |
| T_{OFF} | SD Release Time | | | 2 | 10 | μs |
| T_{ON} | SD Assert Time | | | 2 | 10 | μs |
| SD_{AL} | Low SD Assert Level | $R_{SDLVL} = 15k\Omega$, Note 6 | | 3.4 | 6.5 | mV _{pp} |
| SD_{DL} | Low SD De-assert Level | $R_{SDLVL} = 15k\Omega$, Note 6 | 1.0 | 2.3 | | mV _{pp} |
| HYS_L | Low SD Hysteresis | $R_{SDLVL} = 15k\Omega$, Note 7 | 1 | 3.4 | 4.5 | dB |
| SD_{AM} | Medium SD Assert Level | $R_{SDLVL} = 5k\Omega$, Note 6 | | 6.2 | 8 | mV _{pp} |
| SD_{DM} | Medium SD De-assert Level | $R_{SDLVL} = 5k\Omega$, Note 6 | 3 | 4.2 | | mV _{pp} |
| HYS_M | Medium SD Hysteresis | $R_{SDLVL} = 5k\Omega$, Note 7 | 2 | 3.4 | 4.5 | dB |
| SD_{AH} | High SD Assert Level | $R_{SDLVL} = 100\Omega$, Note 6 | | 16.4 | 20 | mV _{pp} |
| SD_{DH} | High SD De-assert Level | $R_{SDLVL} = 100\Omega$, Note 6 | 8 | 10.8 | | mV _{pp} |
| HYS_H | High SD Hysteresis | $R_{SDLVL} = 100\Omega$, Note 7 | 2 | 3.4 | 4.5 | dB |
| B_{-3dB} | 3dB Bandwidth | | | 1 | | GHz |
| $A_{V(Diff)}$ | Differential Voltage Gain | | | 42 | | dB |
| S_{21} | Single-Ended Small-Signal Gain | | 30 | 36 | | dB |

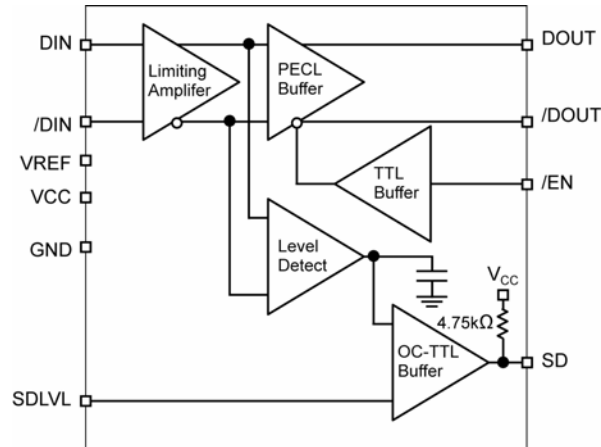
Notes:

- Amplifier in limiting mode. Input is a 200MHz square wave.
- Deterministic jitter measured using 1.25Gbps K28.5 pattern, $V_{ID} = 10mV_{pp}$.
- Random jitter measured using 1.25Gbps K28.7 pattern, $V_{ID} = 10mV_{pp}$.
- See "Typical Operating Characteristics" for a graph showing how to choose a particular R_{SDLVL} for a particular SD assert and its associated de-assert amplitude.
- This specification defines electrical hysteresis as $20\log$ (SD Assert/SD De-assert). The ratio between optical hysteresis and electrical hysteresis is found to vary between 1.5 and 2 depending upon the level of received optical power and ROSA characteristics. Based on that ratio, the optical hysteresis corresponding to the electrical hysteresis range 1dB-4.5 dB, shown in the AC characteristics table, will be 0.5dB-3dB optical hysteresis

Typical Characteristics



Functional Block Diagram



Detailed Description

The SY88933AL low-power limiting post amplifier operates from a single +3.3V power supply, over temperatures from -40°C to $+85^{\circ}\text{C}$. Signals with data rates up to 1.25Gbps, and as small as 5mV_{pp} , can be amplified. Figure 1 shows the allowed input voltage swing. The SY88933AL generates an SD output. SD_{LVL} sets the sensitivity of the input amplifier section.

Input Amplifier/Buffer

Figure 2 shows a simplified schematic of the SY88933AL's input stage. The high-sensitivity of the input amplifier allows signals as small as 5mV_{pp} to be detected and amplified. The input amplifier also allows input signals as large as $1800\text{mV}_{\text{pp}}$. Input signals are linearly amplified with a typical 42dB differential voltage gain. Since it is a limiting amplifier, the SY88933AL outputs typically $1500\text{mV}_{\text{pp}}$ voltage-limited waveforms for input signals that are greater than 12mV_{pp} . Applications requiring the SY88933AL to operate with high-gain should have the upstream TIA placed as close as possible to the SY88933AL's input pins to ensure the best performance of the device.

Output Buffer

The SY88933AL's PECL output buffer is designed to drive 50Ω lines. The output buffer requires appropriate termination for proper operation. An external 50Ω resistor to $V_{\text{CC}}-2\text{V}$ for each output pin provides this. Figure 3 shows a simplified schematic of the output stage.

Signal-Detect

The SY88933AL generates a chatter-free SD open-collector TTL output with an internal $4.75\text{k}\Omega$ pull-up resistor as shown in Figure 4. SD is used to determine that the input amplitude is large enough to be considered a valid input. SD asserts high if the input amplitude rises above the threshold set by SD_{LVL} and de-asserts low otherwise. SD can be fed back to the enable (EN) input to maintain output stability under a loss of signal condition. EN de-asserts the true output signal without removing the input signals. Typically, 3.4dB SD hysteresis is provided to prevent chattering.

Signal-Detect Level Set

A programmable SD level set pin (SD_{LVL}) sets the threshold of the input amplitude detection. Connecting an external resistor between V_{CC} and SD_{LVL} sets the voltage at SD_{LVL} . This voltage ranges from V_{CC} to V_{REF} . The external resistor creates a voltage divider between V_{CC} and V_{REF} , as shown in Figure 5.

Hysteresis

The SY88933AL provides typically 3.4dB SD electrical hysteresis. By definition, a power ratio measured in dB is $10\log(\text{power ratio})$. Power is calculated as V_{IN}^2/R for an electrical signal. Hence, the same ratio can be stated as $20\log(\text{voltage ratio})$. While in linear mode, the electrical voltage input changes linearly with the optical power and hence, the ratios change linearly. Therefore, the optical hysteresis in dB is half the electrical hysteresis in dB given in the data sheet. The SY88933AL is an electrical device, and this data sheet refers to hysteresis in electrical terms. With 3.4dB SD hysteresis, a voltage factor of 1.5 is required to assert or de-assert SD.



Figure 1. V_{IS} and V_{ID} Definitions



Figure 2. Input Structure



Figure 3. Output Structure

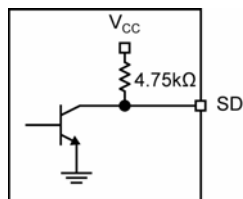


Figure 4. SD Output Structure

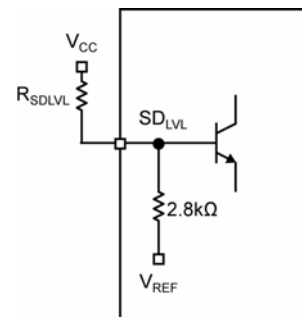


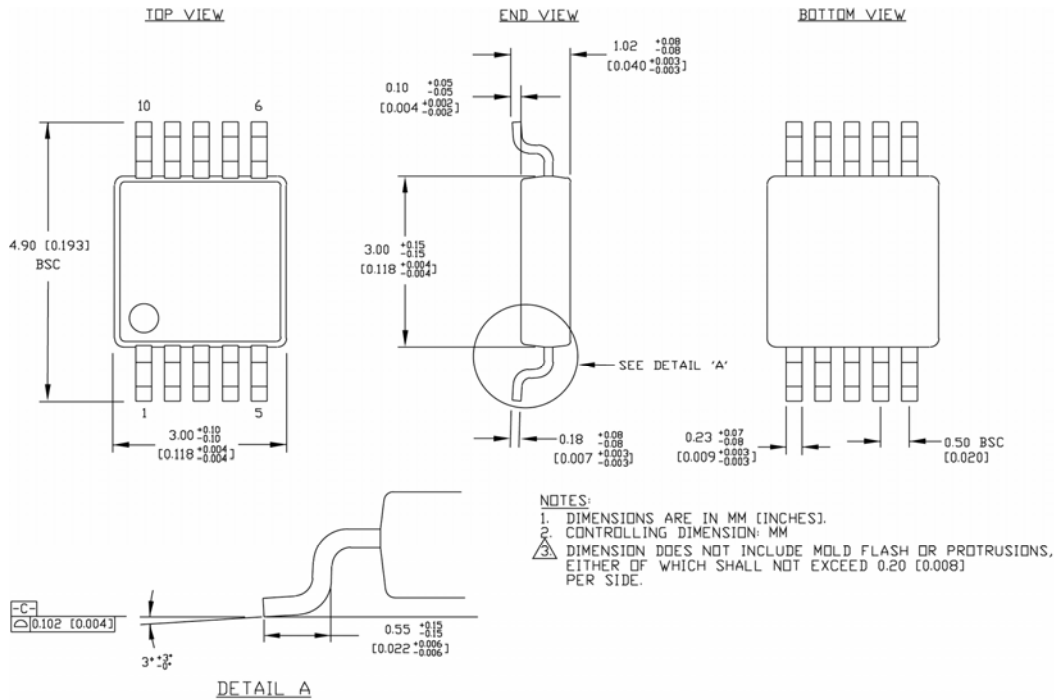
Figure 5. SD_{LVL} Setting Circuit

Note: Recommended value for R_{SDLVL} is 15kΩ or less.

Related Product and Support Documentation

| Part Number | Function | Data Sheet Link |
|-------------------|---|---|
| Application Notes | Notes on Sensitivity and Hysteresis in Micrel Post Amplifiers | http://www.micrel.com/product-info/app_hints+notes.shtml |

Package Information



Rev. 00

10-Pin MSOP (K10-1)

MICREL, INC. 2180 FORTUNE DRIVE SAN JOSE, CA 95131 USA
 TEL +1 (408) 944-0800 FAX +1 (408) 474-1000 WEB <http://www.micrel.com>

The information furnished by Micrel in this data sheet is believed to be accurate and reliable. However, no responsibility is assumed by Micrel for its use. Micrel reserves the right to change circuitry and specifications at any time without notification to the customer.

Micrel Products are not designed or authorized for use as components in life support appliances, devices or systems where malfunction of a product can reasonably be expected to result in personal injury. Life support devices or systems are devices or systems that (a) are intended for surgical implant into the body or (b) support or sustain life, and whose failure to perform can be reasonably expected to result in a significant injury to the user. A Purchaser's use or sale of Micrel Products for use in life support appliances, devices or systems is a Purchaser's own risk and Purchaser agrees to fully indemnify Micrel for any damages resulting from such use or sale.

© 2005 Micrel, Incorporated.

Компания «Life Electronics» занимается поставками электронных компонентов импортного и отечественного производства от производителей и со складов крупных дистрибьюторов Европы, Америки и Азии.

С конца 2013 года компания активно расширяет линейку поставок компонентов по направлению коаксиальный кабель, кварцевые генераторы и конденсаторы (керамические, пленочные, электролитические), за счёт заключения дистрибьюторских договоров

Мы предлагаем:

- Конкурентоспособные цены и скидки постоянным клиентам.
- Специальные условия для постоянных клиентов.
- Подбор аналогов.
- Поставку компонентов в любых объемах, удовлетворяющих вашим потребностям.
- Приемлемые сроки поставки, возможна ускоренная поставка.
- Доставку товара в любую точку России и стран СНГ.
- Комплексную поставку.
- Работу по проектам и поставку образцов.
- Формирование склада под заказчика.
- Сертификаты соответствия на поставляемую продукцию (по желанию клиента).
- Тестирование поставляемой продукции.
- Поставку компонентов, требующих военную и космическую приемку.
- Входной контроль качества.
- Наличие сертификата ISO.

В составе нашей компании организован Конструкторский отдел, призванный помогать разработчикам, и инженерам.

Конструкторский отдел помогает осуществить:

- Регистрацию проекта у производителя компонентов.
- Техническую поддержку проекта.
- Защиту от снятия компонента с производства.
- Оценку стоимости проекта по компонентам.
- Изготовление тестовой платы монтаж и пусконаладочные работы.



Тел: +7 (812) 336 43 04 (многоканальный)
Email: org@lifeelectronics.ru