

THIS DRAWING IS UNPUBLISHED.

RELEASED FOR PUBLICATION

ALL RIGHTS RESERVED.

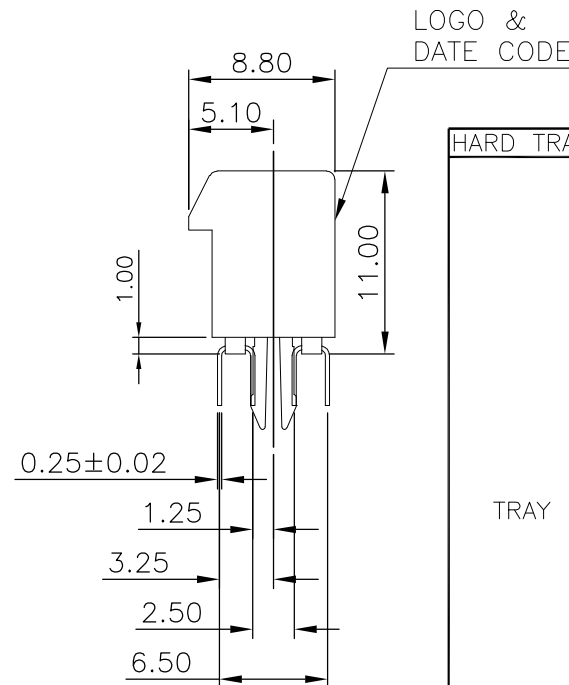
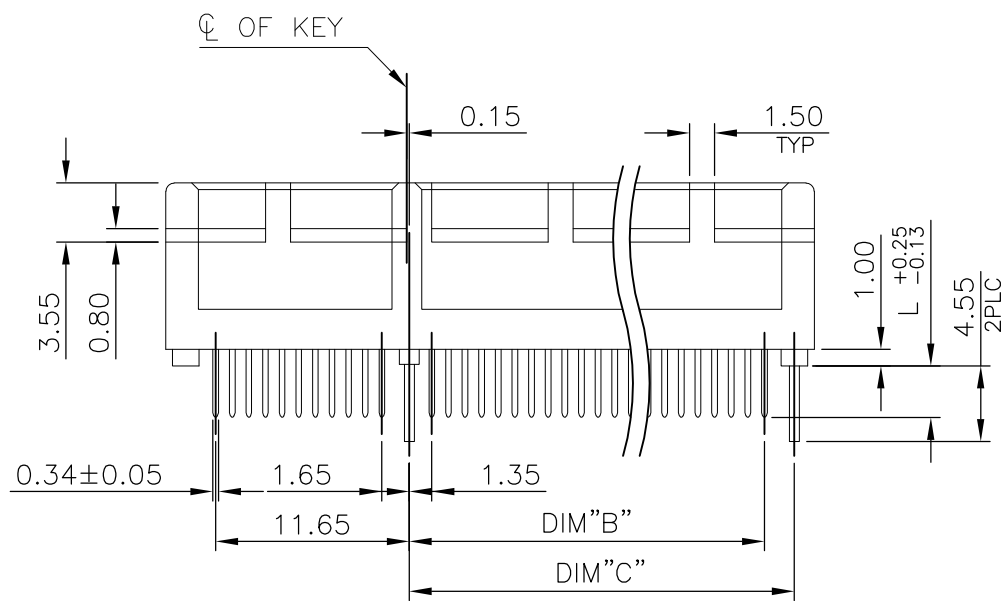
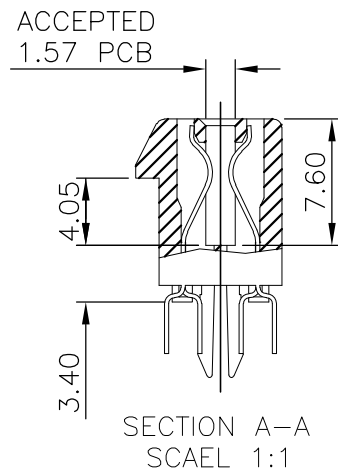
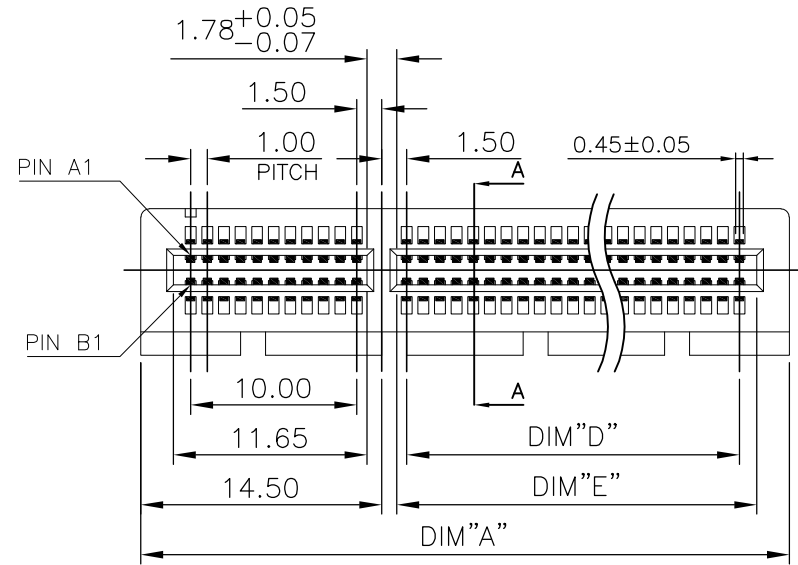
© COPYRIGHT - By -

REVISIONS

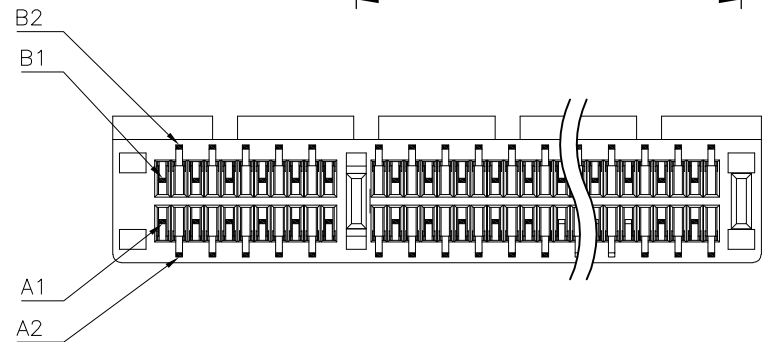
P	LTR	DESCRIPTION	DATE	DWN	APVD
D		ECR-16-014363	11OCT2016	FL	SY

NOTE:

- MATERIAL:  
HOUSING (SEE TABLE): PA46 OR PA9T, UL94 V-0, COLOR: BLACK.  
CONTACTS: PHOSPHOR BRONZE.  
BOARDLOCK: BRASS.
- FINISH:  
2.1 CONTACTS: (SEE TABLE) GOLD PLATED ON CONTACT AREA, 2.54um [100u"] MIN. MATTE-TIN ON SOLDER TAIL, WITH ENTIRE CONTACT UNDERPLATED 1.27um [50u"] MIN. NICKEL.  
2.2 BOARDLOCK: 2.54um [100u"] MATTE-TIN PLATING ALL OVER NICKEL 1.27um[50u"] MIN. UNDERPLATED OVERALL.
- WAVE SOLDER CAPABLE TO 265°C MAX. PER TE SPEC. 109-202, CONDITION B.
- WEIGHT:  
36 POS.: 2.55 GRAMS  
64 POS.: 3.90 GRAMS  
98 POS.: 5.50 GRAMS  
164 POS.: 8.80 GRAMS
- REFLOW SOLDER CAPABLE TO 260°C PER TE SPEC. TEC-109-201, CONDITION B.



PACKAGING	SOLDER CAPACITY	HOUSING MATERIAL	DIM L	GOLD PLATING	DIM E	DIM D	DIM C	DIM B	DIM A	POS.	PART NUMBER									
HARD TRAY	NOTE 3 & 5	PA9T	2.30	0.381µm[15µ"] MIN.	71.65	70.0	73.15	71.35	89.0	164	6-	-2								
											5-	-2								
											3.10	0.762µm[30µ"] MIN.	71.65	70.0	73.15	71.35	89.0	164	4-	-6
												0.381µm[15µ"] MIN.							4-	-5
											2.30	GOLD FLASH	71.65	70.0	73.15	71.35	89.0	164	4-	-4
												0.762µm[30µ"] MIN.							4-	-3
											3.10	0.381µm[15µ"] MIN.	38.65	37.0	40.15	38.35	56.0	98	4-	-2
												GOLD FLASH							4-	-1
											2.30	0.762µm[30µ"] MIN.	38.65	37.0	40.15	38.35	56.0	98	3-	-6
												0.381µm[15µ"] MIN.							3-	-5
											3.10	GOLD FLASH	38.65	37.0	40.15	38.35	56.0	98	3-	-4
												0.762µm[30µ"] MIN.							3-	-3
											2.30	0.381µm[15µ"] MIN.	21.65	20.0	23.15	21.35	39.0	64	3-	-2
												GOLD FLASH							3-	-1
											3.10	0.762µm[30µ"] MIN.	21.65	20.0	23.15	21.35	39.0	64	2-	-6
												0.381µm[15µ"] MIN.							2-	-5
											2.30	GOLD FLASH	21.65	20.0	23.15	21.35	39.0	64	2-	-4
												0.762µm[30µ"] MIN.							2-	-3
											3.10	0.381µm[15µ"] MIN.	21.65	20.0	23.15	21.35	39.0	64	2-	-2
												GOLD FLASH							2-	-1
											2.30	0.762µm[30µ"] MIN.	7.65	6.0	9.15	7.35	25.0	36	1-	-6
												0.381µm[15µ"] MIN.							1-	-5
											3.10	GOLD FLASH	7.65	6.0	9.15	7.35	25.0	36	1-	-4
												0.762µm[30µ"] MIN.							1-	-3
2.30	0.381µm[15µ"] MIN.	7.65	6.0	9.15	7.35	25.0	36	1-	-2											
	GOLD FLASH							1-	-2											
											1-1775801-1									



THIS DRAWING IS A CONTROLLED DOCUMENT.

DWN B. HSING 21MAY2009  
CHK S. CHIEN 21MAY2009  
APVD W. KODAMA 21MAY2009

STE TE Connectivity

PCI EXPRESS CARD EDGE CONNECTOR  
VERTICAL, DIP TYPE,(BOARD-LOCK FUNCTION)

108-57375

PRODUCT SPEC  
APPLICATION SPEC

SIZE A3 CAGE CODE 00779 DRAWING NO C-1775801 RESTRICTED TO -

WEIGHT 0

CUSTOMER DRAWING SCALE 1:1 SHEET 1 OF 4 REV D

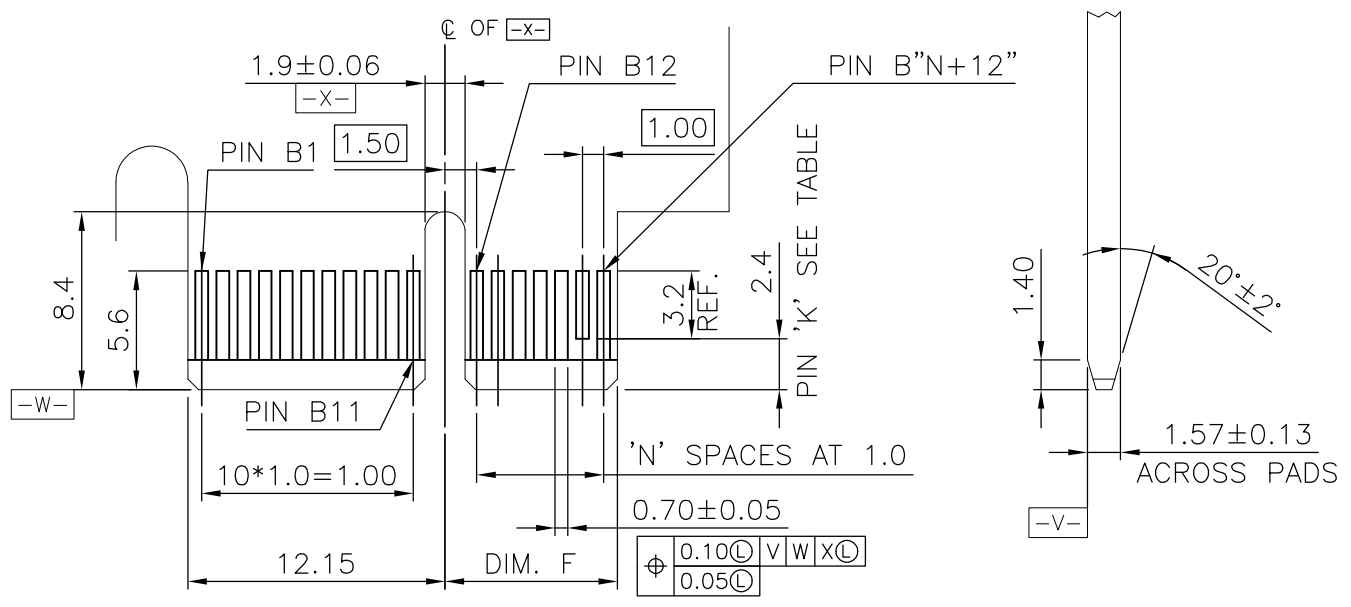
DIMENSIONS:	TOLERANCES UNLESS OTHERWISE SPECIFIED:
mm	
0 PLC	± -
1 PLC	± 0.3
2 PLC	± 0.2
3 PLC	± 0.15
4 PLC	± -
ANGLES	± 3'

MATERIAL SEE NOTE FINISH SEE NOTE

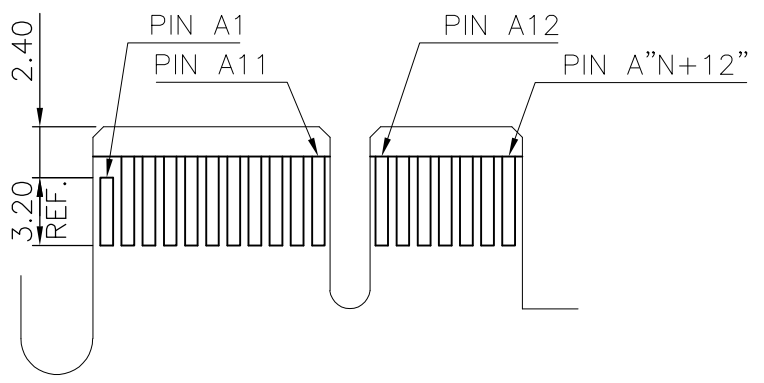
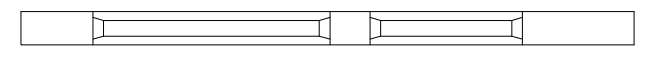
THIS DRAWING IS UNPUBLISHED. RELEASED FOR PUBLICATION  
 © COPYRIGHT - By - ALL RIGHTS RESERVED.

P	LTR	DESCRIPTION	DATE	DWN	APVD
-	-	SEE SHEET 1	-	-	-

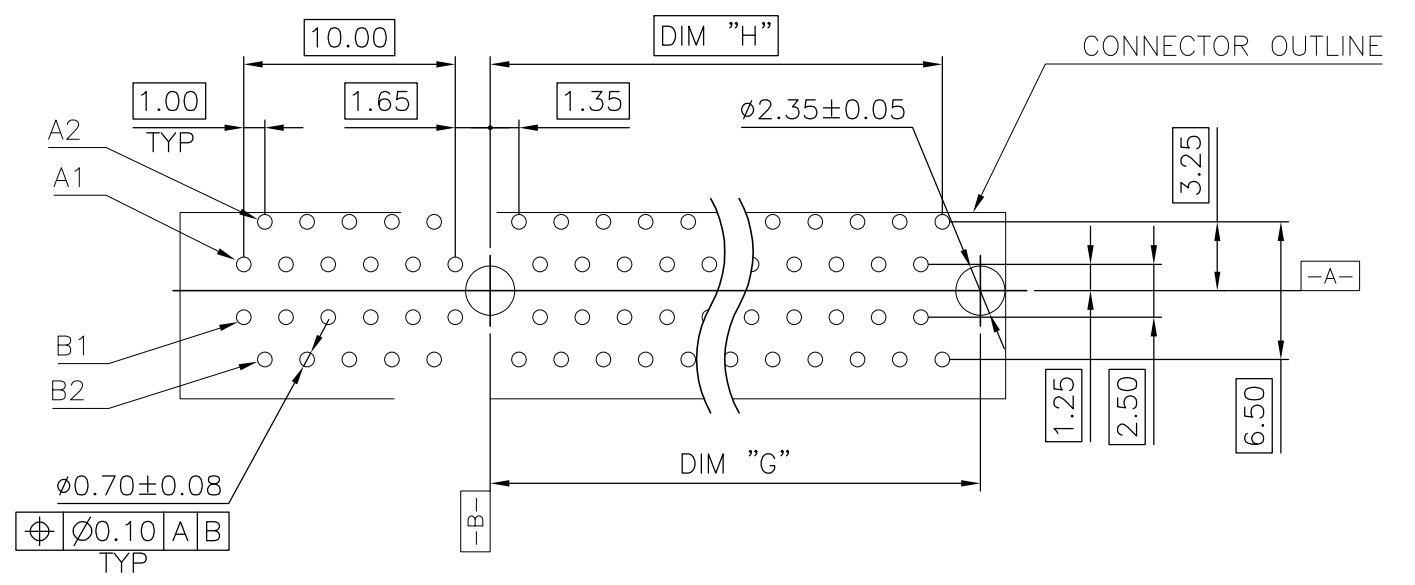
1. NO TIE BAR PERMITTED FROM CARD EDGE TO LEADING EDGE OF PAD FOR PINS A1 AND "K"
2. CHAMFER EDGE MUST BE FREE OF CUTTING BURRS



I/O PANEL DIRECTION  
 PRIMARY (COMPONENT) SIDE




SECONDARY (SOLDER) SIDE



RECOMMENDED PCB LAYOUT

TOLERANCE: ±0.05  
 DIM.L=3.1mm THICKNESS: 2.4mm  
 DIM.L=2.3mm THICKNESS: 1.6mm

POS.	N	DIM. F	DIM. G	DIM. H	"K"
36	6	8.15	9.15	7.35	B17
64	20	22.15	23.15	21.35	B17,B31
98	37	39.15	40.15	38.35	B17,B31,B48
164	70	72.15	73.15	71.35	B17,B31,B48,B81

THIS DRAWING IS A CONTROLLED DOCUMENT.		DWN B. HSING 21MAY2009	 TE Connectivity														
DIMENSIONS: mm		CHK S. CHIEN 21MAY2009															
TOLERANCES UNLESS OTHERWISE SPECIFIED:		APVD W. KODAMA 21MAY2009	NAME														
<table border="0"> <tr><td>0 PLC</td><td>± -</td></tr> <tr><td>1 PLC</td><td>± 0.3</td></tr> <tr><td>2 PLC</td><td>± 0.2</td></tr> <tr><td>3 PLC</td><td>± 0.15</td></tr> <tr><td>4 PLC</td><td>± -</td></tr> <tr><td>ANGLES</td><td>± 3°</td></tr> </table>		0 PLC	± -	1 PLC	± 0.3	2 PLC	± 0.2	3 PLC	± 0.15	4 PLC	± -	ANGLES	± 3°	PRODUCT SPEC	PCI EXPRESS CARD EDGE CONNECTOR VERTICAL, DIP TYPE,(BOARD-LOCK FUNCTION)		
0 PLC	± -																
1 PLC	± 0.3																
2 PLC	± 0.2																
3 PLC	± 0.15																
4 PLC	± -																
ANGLES	± 3°																
MATERIAL		APPLICATION SPEC	SIZE	CAGE CODE	DRAWING NO	RESTRICTED TO											
FINISH		WEIGHT	A300779		C=1775801	-											
CUSTOMER DRAWING			SCALE	SHEET	REV												
			1:1	2 OF 4	D												

THIS DRAWING IS UNPUBLISHED.

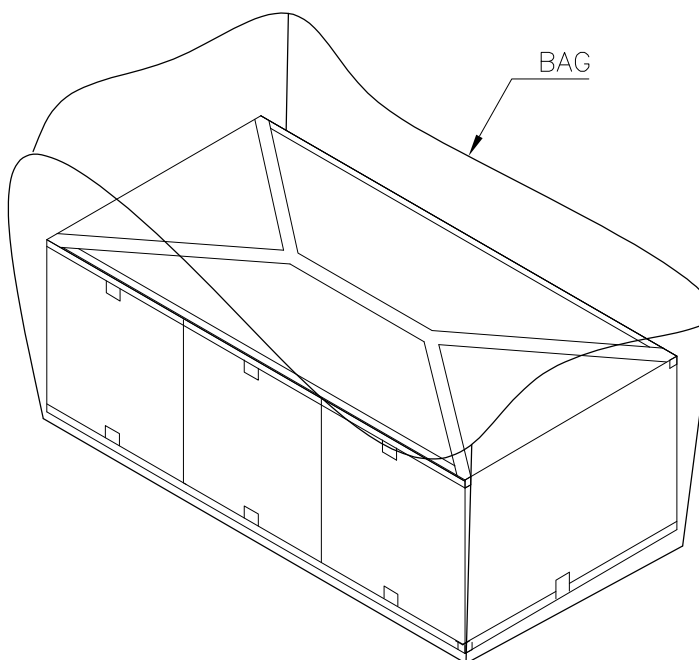
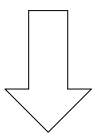
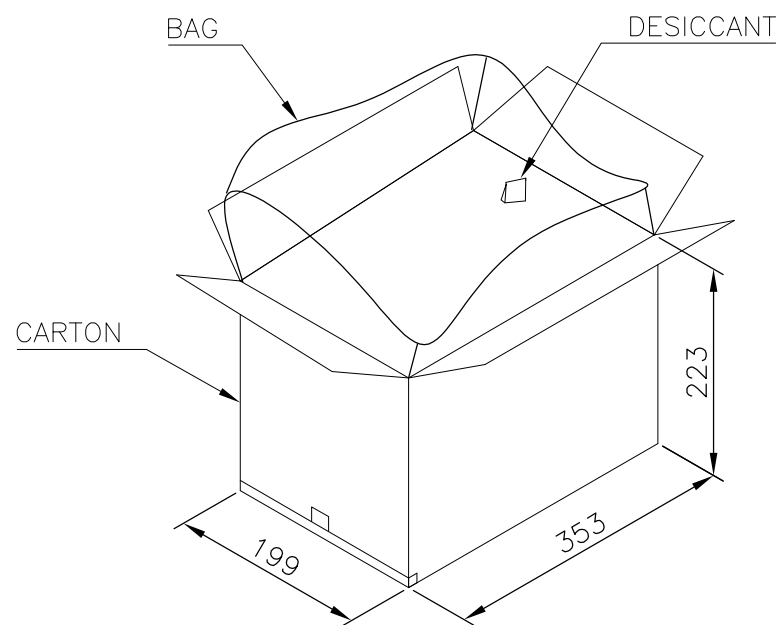
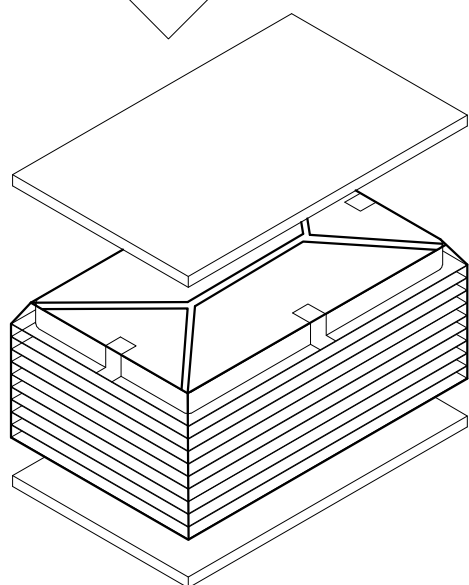
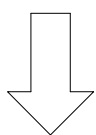
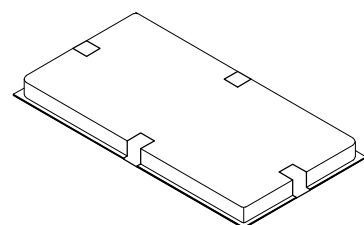
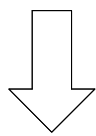
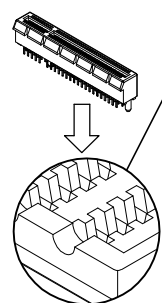
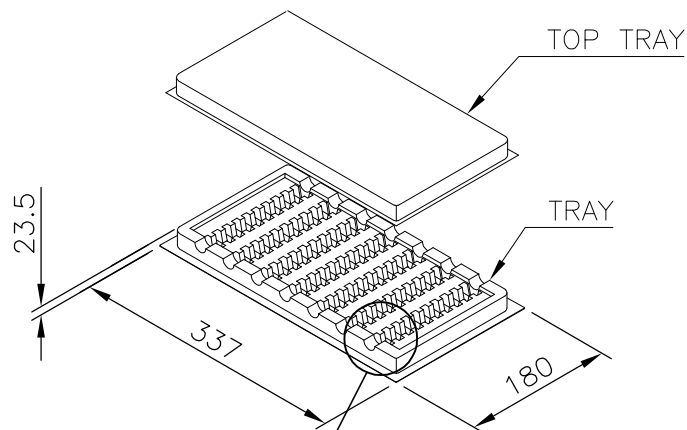
RELEASED FOR PUBLICATION

ALL RIGHTS RESERVED.

© COPYRIGHT - By -

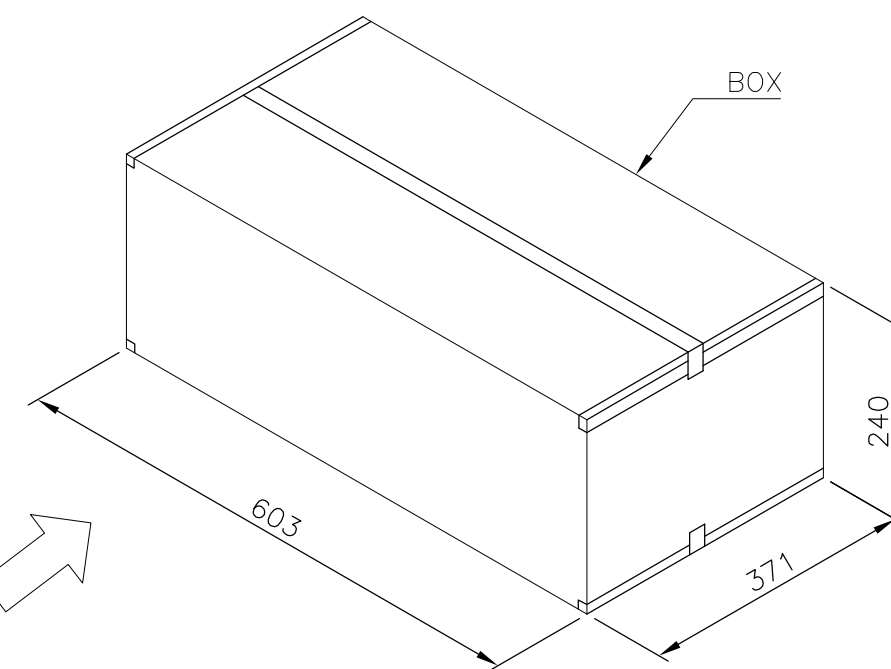
REVISIONS

P	LTR	DESCRIPTION	DATE	DWN	APVD
-	-	SEE SHEET 1	-	-	-



NOTES :

- MATERIAL :  
TRAY : PVC, COLOR: TRANSPARENT.  
CARTON: CORRUGATED FIBER  
BOX: CORRUGATED FIBER
- DIMENSION :  
TRAY: SEE DRAWING  
CARTON: SEE DRAWING  
BOX : SEE DRAWING
- QUANTITY : SEE TABLE
- WEIGHT : SEE TABLE



9.6 KG	7.6 KG	30	10	3	900	164
8.5 KG	6.5 KG	40	10	3	1200	98
9.1 KG	7.1 KG	60	10	3	1800	64
7.7 KG	5.7 KG	70	10	3	2100	36
GROSS WEIGHT	NET WEIGHT	PCS/ TRAY	TRAY/ CARTON	CARTON/ BOX	PCS/ BOX	POS

THIS DRAWING IS A CONTROLLED DOCUMENT.

DIMENSIONS:	TOLERANCES UNLESS OTHERWISE SPECIFIED:
mm	
	0 PLC ± -
	1 PLC ± -
	2 PLC ± -
	3 PLC ± -
	4 PLC ± -
	ANGLES ± -
MATERIAL	FINISH
-	-

DWN	B. HSING	21MAY2009
CHK	S. CHIEN	21MAY2009
APVD	W. KODAMA	21MAY2009
PRODUCT SPEC	-	
APPLICATION SPEC	-	
WEIGHT	0	



PCI EXPRESS CARD EDGE CONNECTOR VERTICAL, DIP TYPE,(BOARD-LOCK FUNCTION)

SIZE	CAGE CODE	DRAWING NO	RESTRICTED TO
A3	00779	C-1775801	-

CUSTOMER DRAWING SCALE 1:1 SHEET 3 OF 4 REV D

THIS DRAWING IS UNPUBLISHED.

RELEASED FOR PUBLICATION

ALL RIGHTS RESERVED.

© COPYRIGHT - By -

REVISIONS

P	LTR	DESCRIPTION	DATE	DWN	APVD
-	-	SEE SHEET 1	-	-	-

NOTES :

PACKING MATERIAL MET TE SPEC TEC-138-702.

\* CADMIUM AND CADMIUM COMPOUNDS CONTENT:

5 PPM UNDER (PLASTIC, RUBBER, INK, PIGMENT, PAINT)

\* LEAD, CADMIUM, CHROM VI AND MERCURY IN PACKAGING MATERIALS CONTENT: 100 PPM (COMBINED) UNDER.

1. MATERIAL :

TRAY: HIPS, COLOR: BLACK.

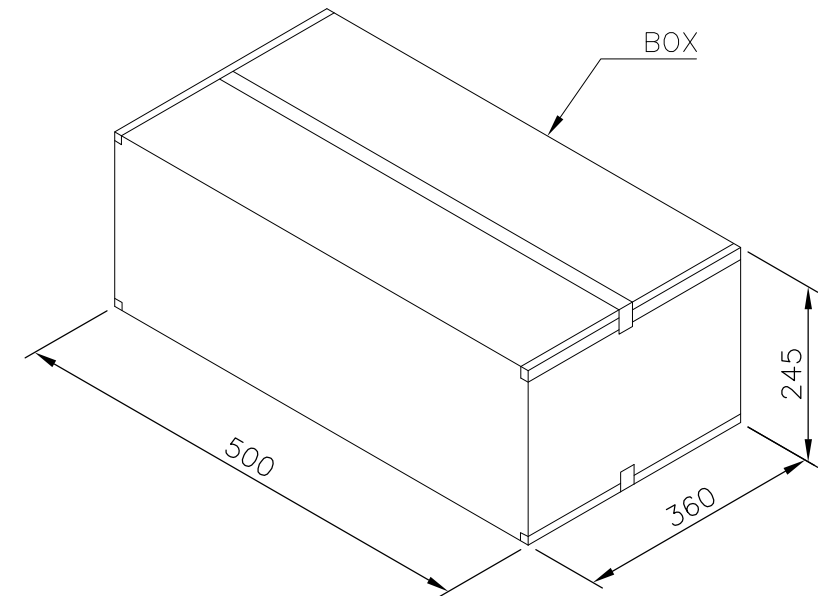
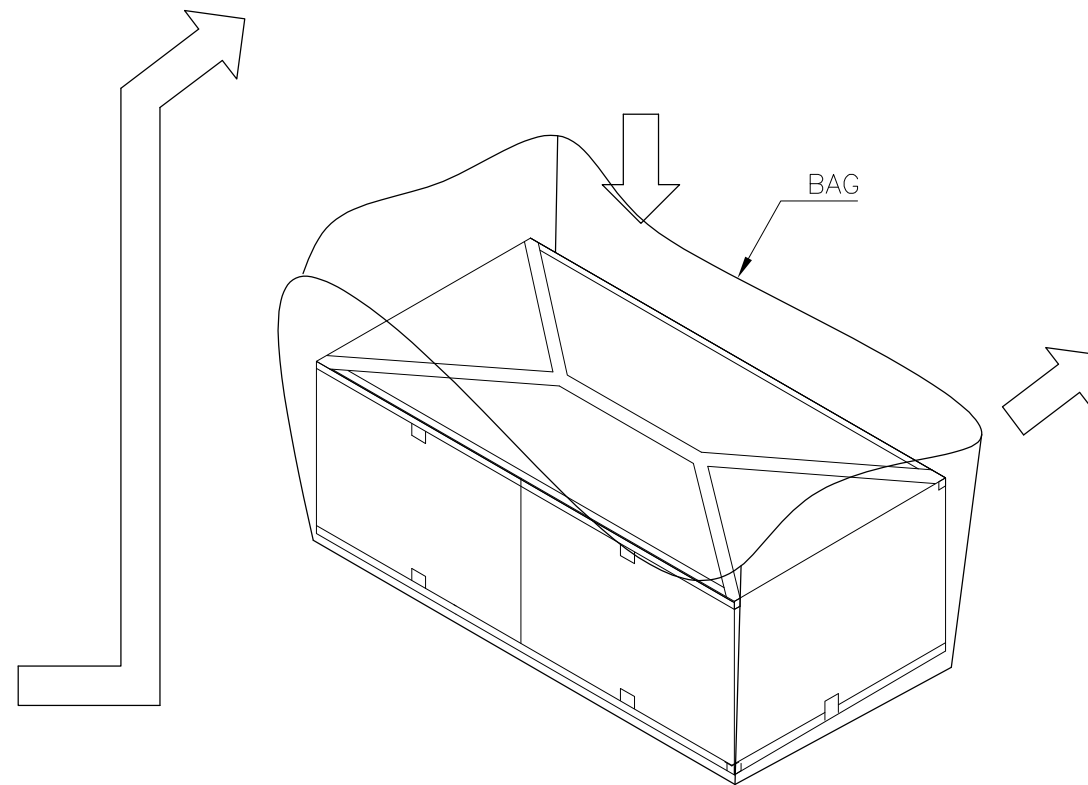
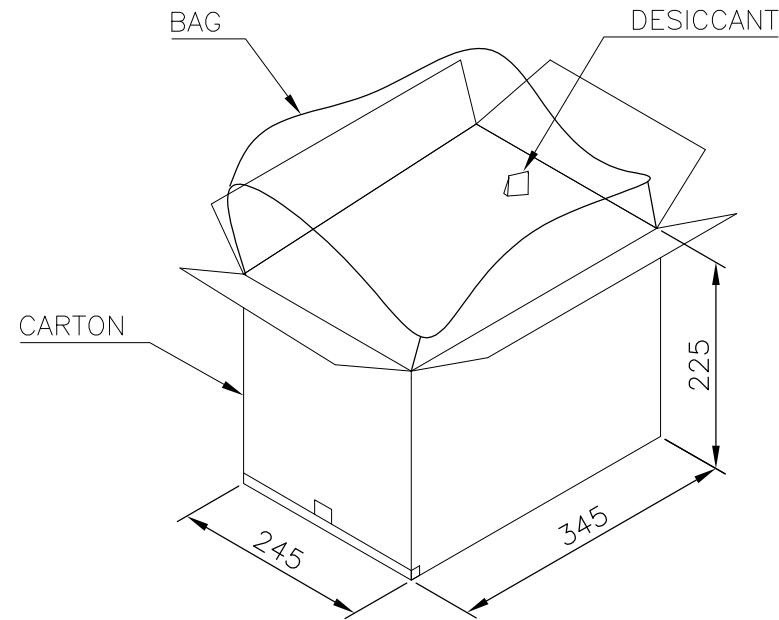
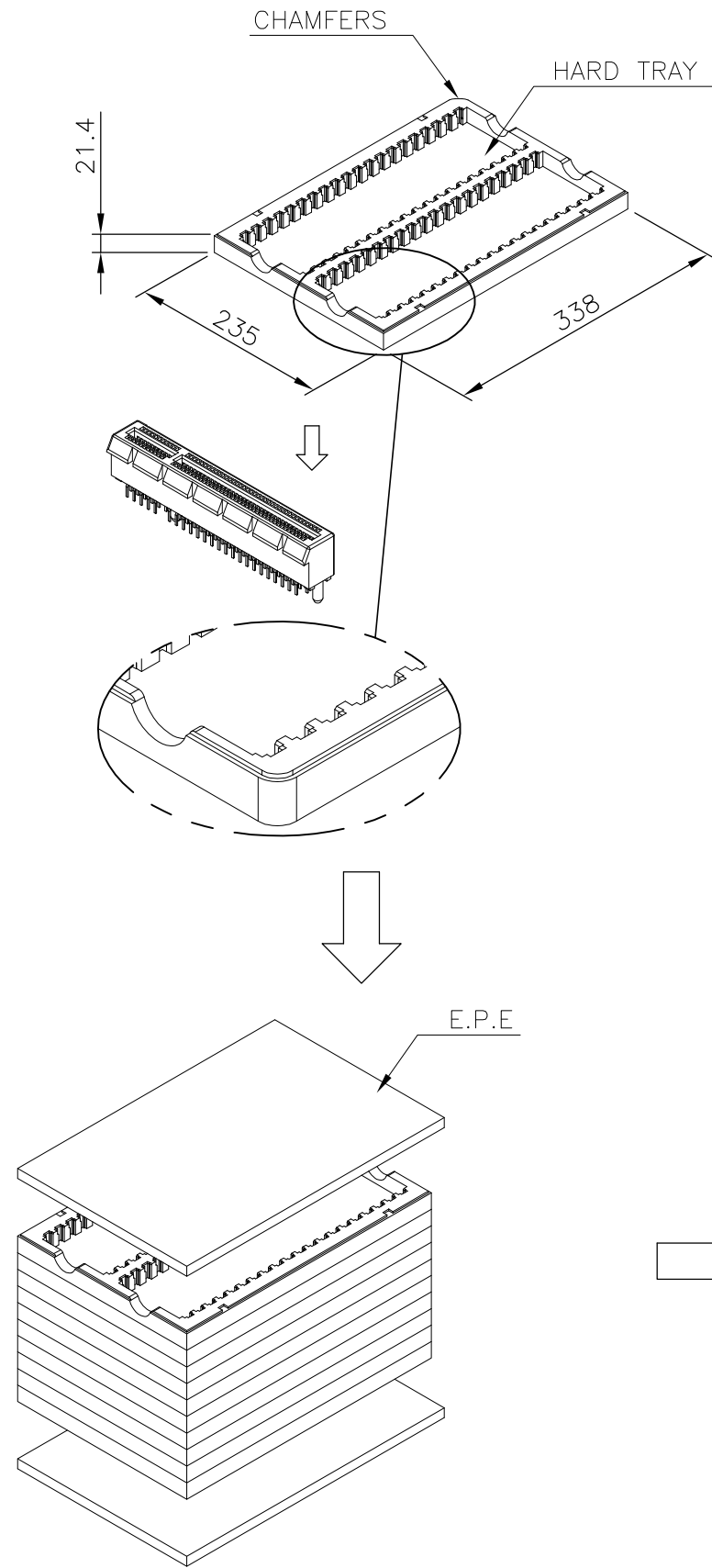
CARTON: CORRUGATED FIBER

BOX: CORRUGATED FIBER

TRANSPARENT BAG: PE, SIZE: 500mm\*380mm\*0.06mm  
640mm\*510mm\*0.06mm

2. EACH BAG SHALL BE INCLUDED:

\* DESICCANT



11.5 Kg	7.0 Kg	40	10	2	800	164
GROSS WEIGHT	NET WEIGHT	PCS/ TRAY	TRAY/ CARTON	CARTON/ BOX	PCS/ BOX	POS

THIS DRAWING IS A CONTROLLED DOCUMENT.

DIMENSIONS:	TOLERANCES UNLESS OTHERWISE SPECIFIED:
mm	
	0 PLC ± -
	1 PLC ± -
	2 PLC ± -
	3 PLC ± -
	4 PLC ± -
	ANGLES ± -
MATERIAL	FINISH
-	-

DWN	B. HSING	21MAY2009
CHK	S. CHIEN	21MAY2009
APVD	W. KODAMA	21MAY2009
PRODUCT SPEC	-	
APPLICATION SPEC	-	
WEIGHT	0	
CUSTOMER DRAWING		

TE Connectivity			
NAME PCI EXPRESS CARD EDGE CONNECTOR VERTICAL, DIP TYPE,(BOARD-LOCK FUNCTION)			
SIZE	CAGE CODE	DRAWING NO	RESTRICTED TO
A3	00779	C-1775801	-
SCALE 1:1		SHEET 4 OF 4	REV D

Компания «Life Electronics» занимается поставками электронных компонентов импортного и отечественного производства от производителей и со складов крупных дистрибьюторов Европы, Америки и Азии.

С конца 2013 года компания активно расширяет линейку поставок компонентов по направлению коаксиальный кабель, кварцевые генераторы и конденсаторы (керамические, пленочные, электролитические), за счёт заключения дистрибьюторских договоров

Мы предлагаем:

- Конкуренспособные цены и скидки постоянным клиентам.
- Специальные условия для постоянных клиентов.
- Подбор аналогов.
- Поставку компонентов в любых объемах, удовлетворяющих вашим потребностям.
- Приемлемые сроки поставки, возможна ускоренная поставка.
- Доставку товара в любую точку России и стран СНГ.
- Комплексную поставку.
- Работу по проектам и поставку образцов.
- Формирование склада под заказчика.
- Сертификаты соответствия на поставляемую продукцию (по желанию клиента).
- Тестирование поставляемой продукции.
- Поставку компонентов, требующих военную и космическую приемку.
- Входной контроль качества.
- Наличие сертификата ISO.

В составе нашей компании организован Конструкторский отдел, призванный помогать разработчикам, и инженерам.

Конструкторский отдел помогает осуществить:

- Регистрацию проекта у производителя компонентов.
- Техническую поддержку проекта.
- Защиту от снятия компонента с производства.
- Оценку стоимости проекта по компонентам.
- Изготовление тестовой платы монтаж и пусконаладочные работы.



Тел: +7 (812) 336 43 04 (многоканальный)

Email: [org@lifeelectronics.ru](mailto:org@lifeelectronics.ru)