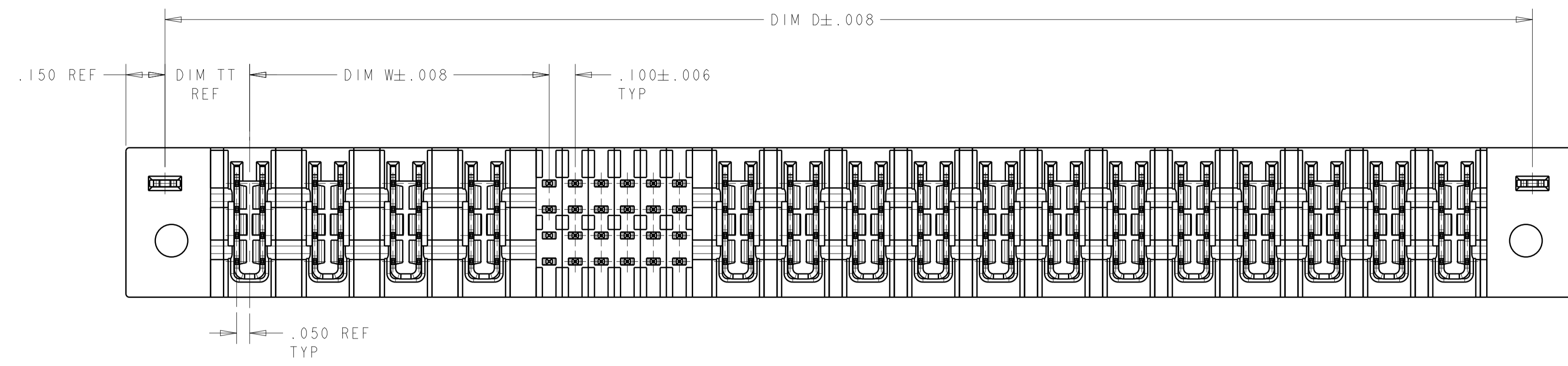
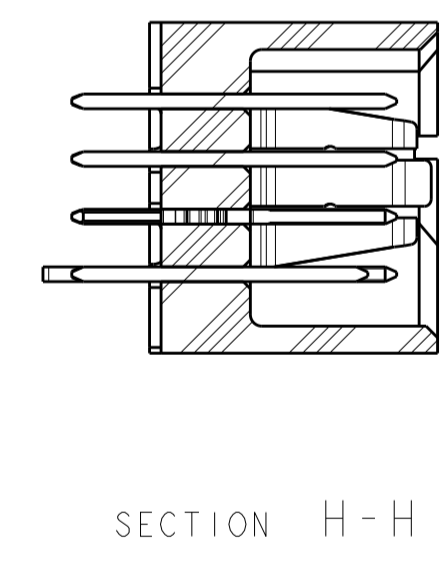
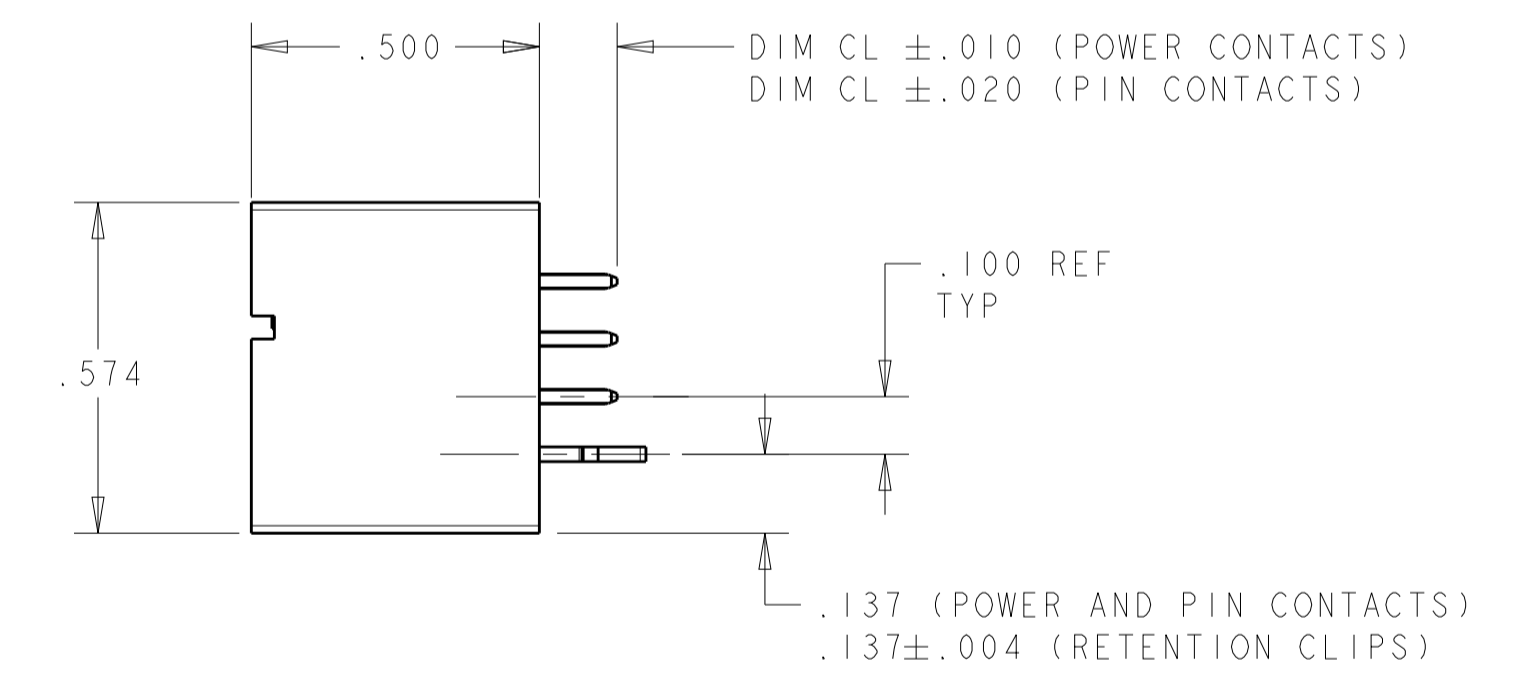
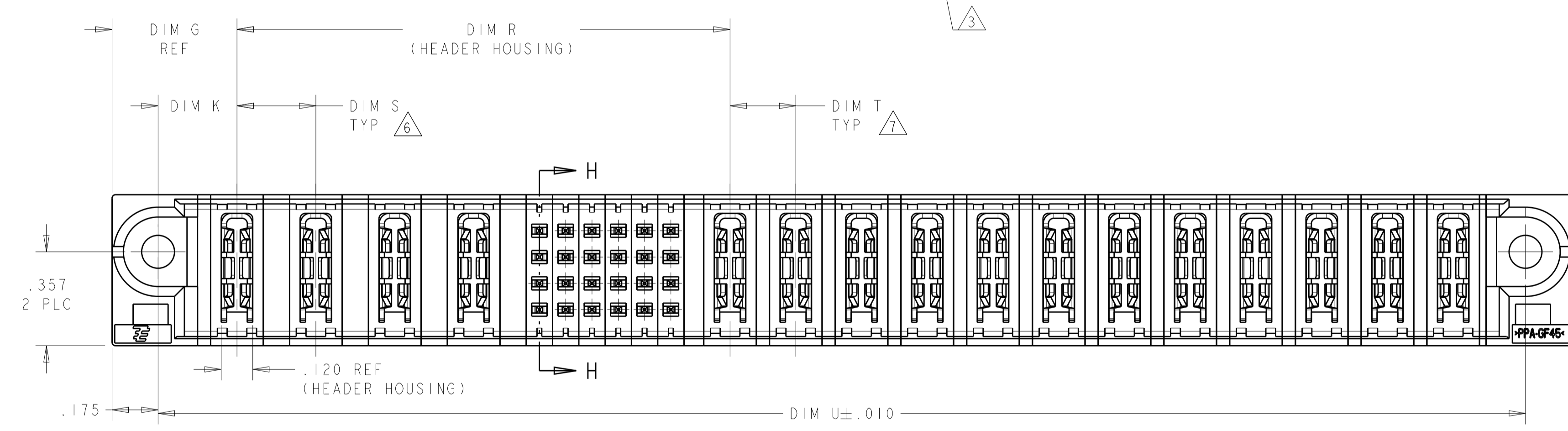
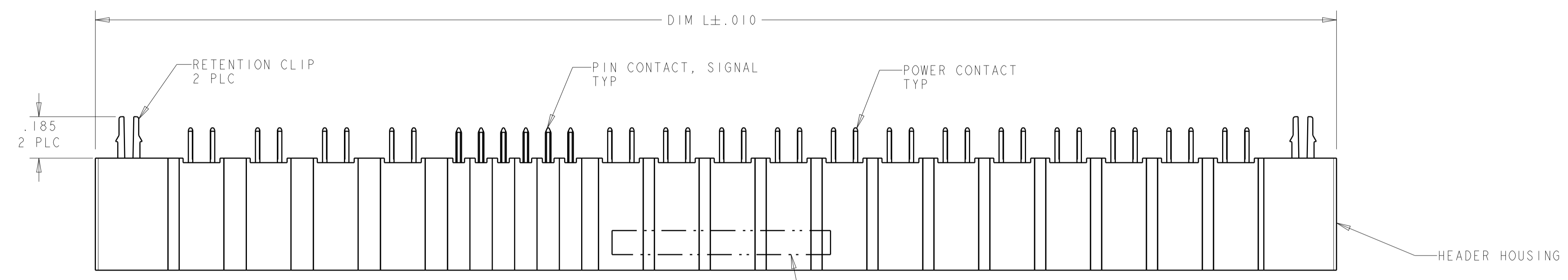


LOC	DIST	REVISIONS					
		P	LTN	DESCRIPTION	DATE	DWN	APVD
ES	00						
	J3			ADDED NEW DASH -23.	06DEC2010	IL	SZ
	J4			ADDED NEW DASH NUMBER 2--4	12AUG2012	CZ	SZ
	J6			REV PER ECR-13-014088	06SEP2013	CZ	SZ
	J7			ADD NEW DASH NUMBER 2-5	10FEB2015	CZ	SZ



- △ 1 HEADER HOUSING: THERMO PLASTIC, BLACK, UL94 V-O; CONTACTS AND RETENTION CLIPS: COPPER ALLOY.
- △ 2 CONTACT PLATING: NOBLE METAL PLATING ON CONTACT FUNCTIONAL AREA OF POWER AND SIGNAL CONTACTS
- △ 3 "AMP", PART NUMBER AND DATE CODE MARKED IN THIS AREA. PARTS UNDER 2.50 LONG MAY BE MARKED ON BOTH SIDES.
- △ 4 DATUM AND BASIC DIMENSIONS ESTABLISHED BY CUSTOMER.
- △ 5 PCB - ALL HOLE DIAMETERS ARE FINISHED HOLE SIZES.
- △ 6 APPLIES TO POWER MODULES ON LEFT SIDE OF SIGNAL CAVITIES OF HOUSING.
- △ 7 APPLIES TO POWER MODULES ON RIGHT SIDE OF SIGNAL CAVITIES OF HOUSING.
- △ 8 MECHANICAL CONNECTOR KEEP OUT ZONE.




THIS DRAWING IS A CONTROLLED DOCUMENT.		DWN: J. McCLINTON 22MAR2005	TE Connectivity
DIMENSIONS: INCH		CHK: D. TROUT 22MAR2005	
TOLERANCES UNLESS OTHERWISE SPECIFIED:		APVD: B. WHYNE 22MAR2005	NAME: VERTICAL HEADER ASSEMBLY W/ GUIDES AND SOLDER TAILS MULTI-BEAM XL
0 PLC ±	1 PLC ±	PRODUCT SPEC 108-1973	SIZE: A100779 C=6600330
2 PLC ±	3 PLC ±.005	APPLICATION SPEC 114-13038	RESTRICTED TO: -
4 PLC ±.0020	ANGLES ±	WEIGHT: -	CUSTOMER DRAWING
MATERIAL: △ 1	FINISH: △ 2	SCALE: 4:1	SHEET 1 OF 10 REV J7

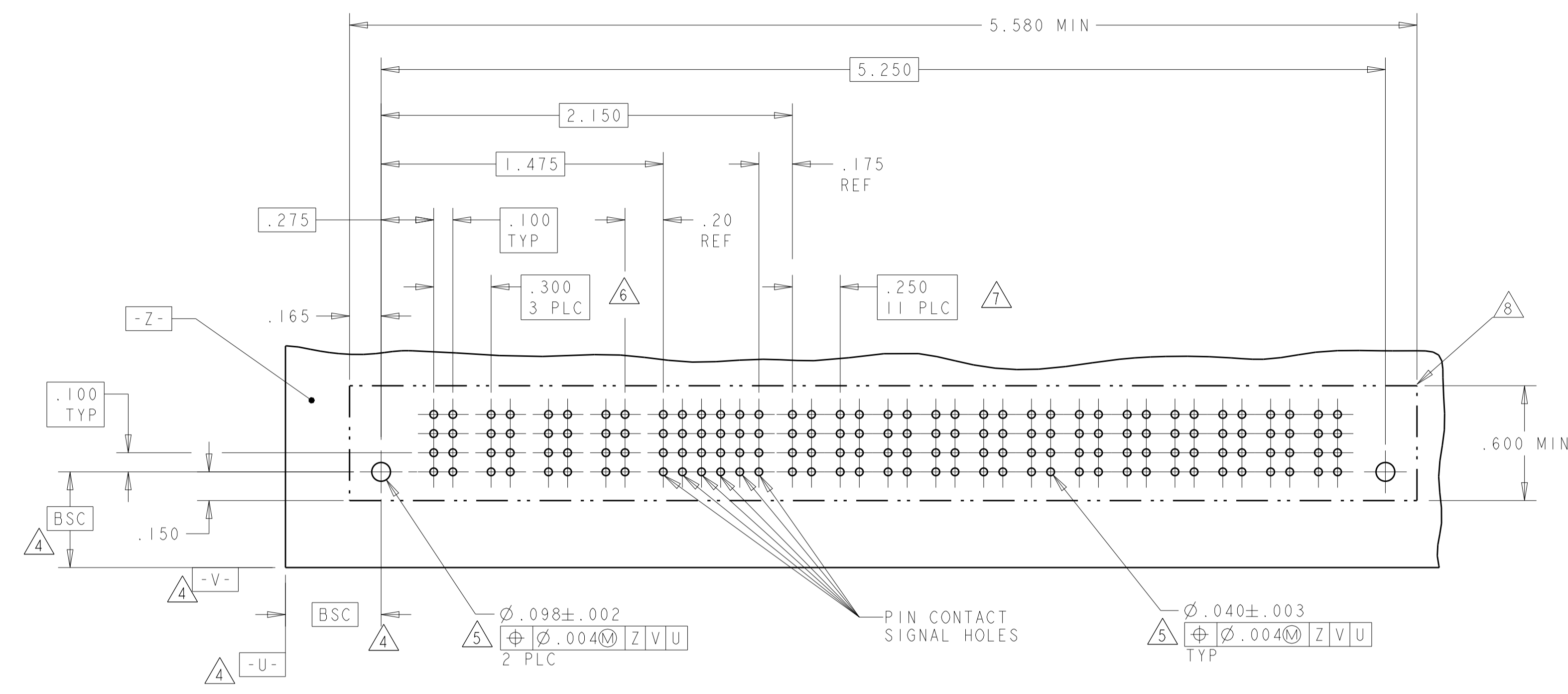
THIS DRAWING IS UNPUBLISHED. RELEASED FOR PUBLICATION 20
 © COPYRIGHT 20 TE CONNECTIVITY ALL RIGHTS RESERVED.

LOC	DIST	REVISIONS					
		P	LTN	DESCRIPTION	DATE	DWN	APVD
ES	00	-		SEE SHEET 1	-	-	-

DIM "CL"	DIM "TT"	DIM "W"	DIM "U"	DIM "T"	DIM "S"	DIM "R"	DIM "L"	DIM "K"	DIM "G"	DIM "D"	RETENTION CLIP	DESCRIPTION	PART NUMBER
.135	.300	.175	1.600	-	-	1.050	1.950	.275	.450	1.650	YES	1P + 32S + 1P	2-6600330-5
.135	.300	.175	1.300	-	-	.750	1.650	.275	.450	1.350	YES	1P + 20S + 1P	2-6600330-4
.135	.175	-	.400	-	-	-	.750	.200	.375	.450	YES	4S	2-6600330-3
.135	.300	.425	1.600	.250	.250	.800	1.950	.275	.450	1.650	YES	2P + 12S + 2P	2-6600330-1
.135	.300	.925	3.200	.250	.250	1.900	3.550	.275	.450	3.250	YES	4P + 36S + 4P	2-6600330-0
.135	.300	.975	3.000	.250	.250	1.700	3.350	.275	.450	3.050	YES	4P + 24S + 4P	1-6600330-9
.135	.300	.375	2.400	.200	.200	1.650	2.750	.275	.450	2.450	YES	2HDP + 48S + 2HDP	1-6600330-3
.135	.300	.675	2.400	.250	.250	1.350	2.750	.275	.450	2.450	YES	3P + 24S + 3P	1-6600330-2
.135	.325	1.700	4.500	.300	.300	2.400	4.850	.300	.475	4.550	YES	6ACP + 24S + 6ACP	1-6600330-1
.135	.300	2.175	5.400	.250	.250	2.850	5.750	.275	.450	5.450	YES	9P + 24S + 9P	1-6600330-0
.135	.300	.925	2.900	.250	.250	1.600	3.250	.275	.450	2.950	NO	4P + 24S + 4P	6600330-9
.135	.300	.975	3.250	.250	.250	1.700	3.600	.275	.450	3.300	YES	4P + 24S + 5P	6600330-8
.165	.300	.425	1.900	.250	.250	1.100	2.250	.275	.450	1.950	YES	2P + 24S + 2P	6600330-6
.135	.300	1.375	4.000	.200	.200	2.250	4.350	.275	.450	4.050	YES	7P + 32S + 7P	6600330-5
.135	.325	.225	1.575	-	-	.950	1.925	.300	.475	1.625	YES	1P + 24S + 1P	6600330-4
.135	.300	1.975	4.200	.300	.250	2.725	4.550	.275	.450	4.250	YES	8P + 24S + 4ACP	6600330-3
.135	.325	.250	2.500	-	-	1.900	2.850	.300	.475	2.550	YES	1P + 60S + 1P	6600330-2
.135	.325	1.150	5.200	.250	.300	1.875	5.550	.300	.475	5.250	YES	4ACP + 24S + 12P	6600330-1

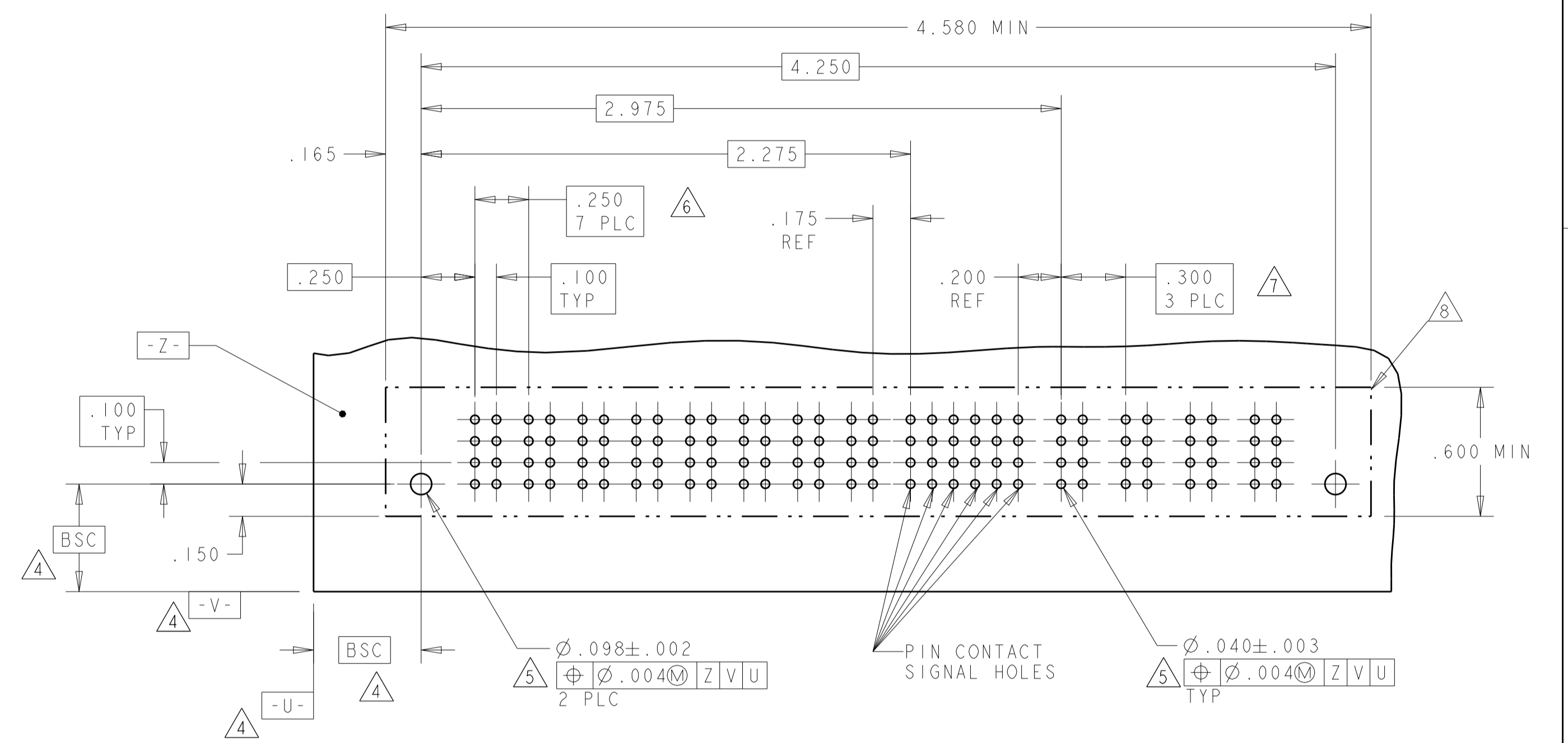
THIS DRAWING IS A CONTROLLED DOCUMENT.		DWN J. McCLINTON 22MAR2005		TE Connectivity	
DIMENSIONS: INCH		CHK D. TROUT 22MAR2005		NAME VERTICAL HEADER ASSEMBLY W/ GUIDES AND SOLDER TAILS MULTI-BEAM XL	
TOLERANCES UNLESS OTHERWISE SPECIFIED:		APVD B. WHYNE 22MAR2005	PRODUCT SPEC 108-1973		
0 PLC ±.0005		APPLICATION SPEC 114-13038			
1 PLC ±.0010		SIZE A1 00779 C=6600330			
2 PLC ±.0015		RESTRICTED TO			
3 PLC ±.0020		WEIGHT			
4 PLC ±.0025		CUSTOMER DRAWING			
ANGLES ±.0020		SCALE 4:1			
FINISH		SHEET 2 OF 10			
		REV J7			

PART NUMBER	ROWS	POWER				SIGNAL						POWER																	
		P1	P2	P3	P4	1	2	3	4	5	6	P5	P6	P7	P8	P9	P10	P11	P12	P13	P14	P15	P16						
6600330-1	D	SZ	SZ	SZ	SZ	SV	SV	SV	SV	SV	SV	SV	SV	SV	SV	SV	SV	SV	SV	SV	SV	SV	SV						
	C					SV	SV	SV	SV	SV	SV	SV	SV	SV	SV	SV	SV	SV	SV	SV	SV	SV	SV	SV	SV	SV			
	B					SV	SV	SV	SV	SV	SV	SV	SV	SV	SV	SV	SV	SV	SV	SV	SV	SV	SV	SV	SV	SV	SV		
	A					SV	SV	SV	SV	SV	SV	SV	SV	SV	SV	SV	SV	SV	SV	SV	SV	SV	SV	SV	SV	SV	SV		
4P+24S+12P		HD																										HD	



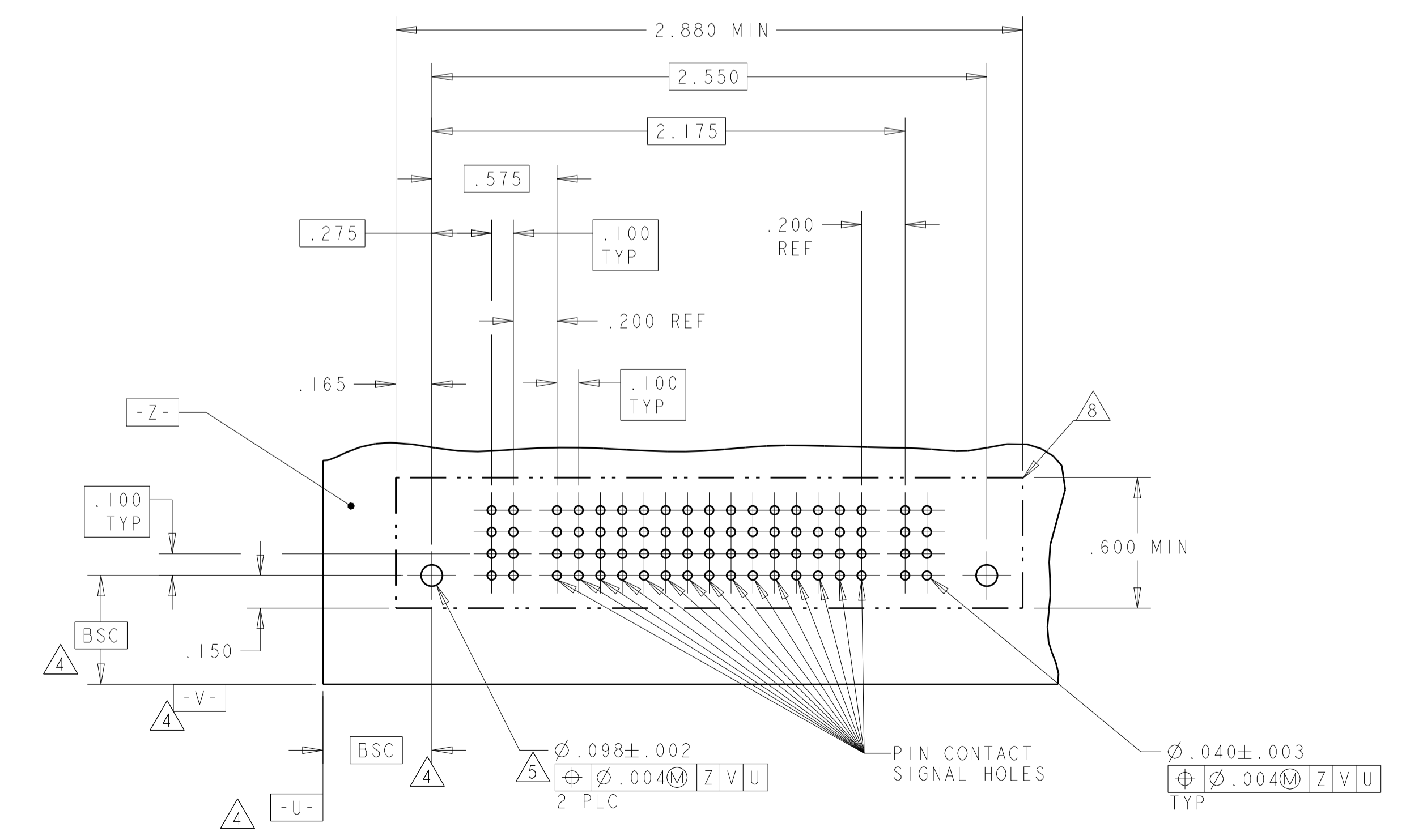
RECOMMENDED PCB LAYOUT 6600330-1
SCALE 2:1

PART NUMBER	ROWS	POWER				SIGNAL						POWER																																
		P1	P2	P3	P4	P5	P6	P7	P8	1	2	3	4	5	6	P9	P10	P11	P12																									
6600330-3	D	SZ	SZ	SZ	SZ	SZ	SZ	SZ	SZ	SZ	SZ	SZ	SZ	SZ	SZ	SZ	SZ	SZ	SZ	SZ	SZ	SZ																						
	C																						SV	SV	SV	SV	SV	SV	SV	SV	SV	SV	SV	SV	SV	SV	SV	SV	SV	SV	SV	SV		
	B																						SV	SV	SV	SV	SV	SV	SV	SV	SV	SV	SV	SV	SV	SV	SV	SV	SV	SV	SV	SV	SV	SV
	A																						SV	SV	SV	SV	SV	SV	SV	SV	SV	SV	SV	SV	SV	SV	SV	SV	SV	SV	SV	SV	SV	SV
8P+24S+4ACP		HD																				HD																						



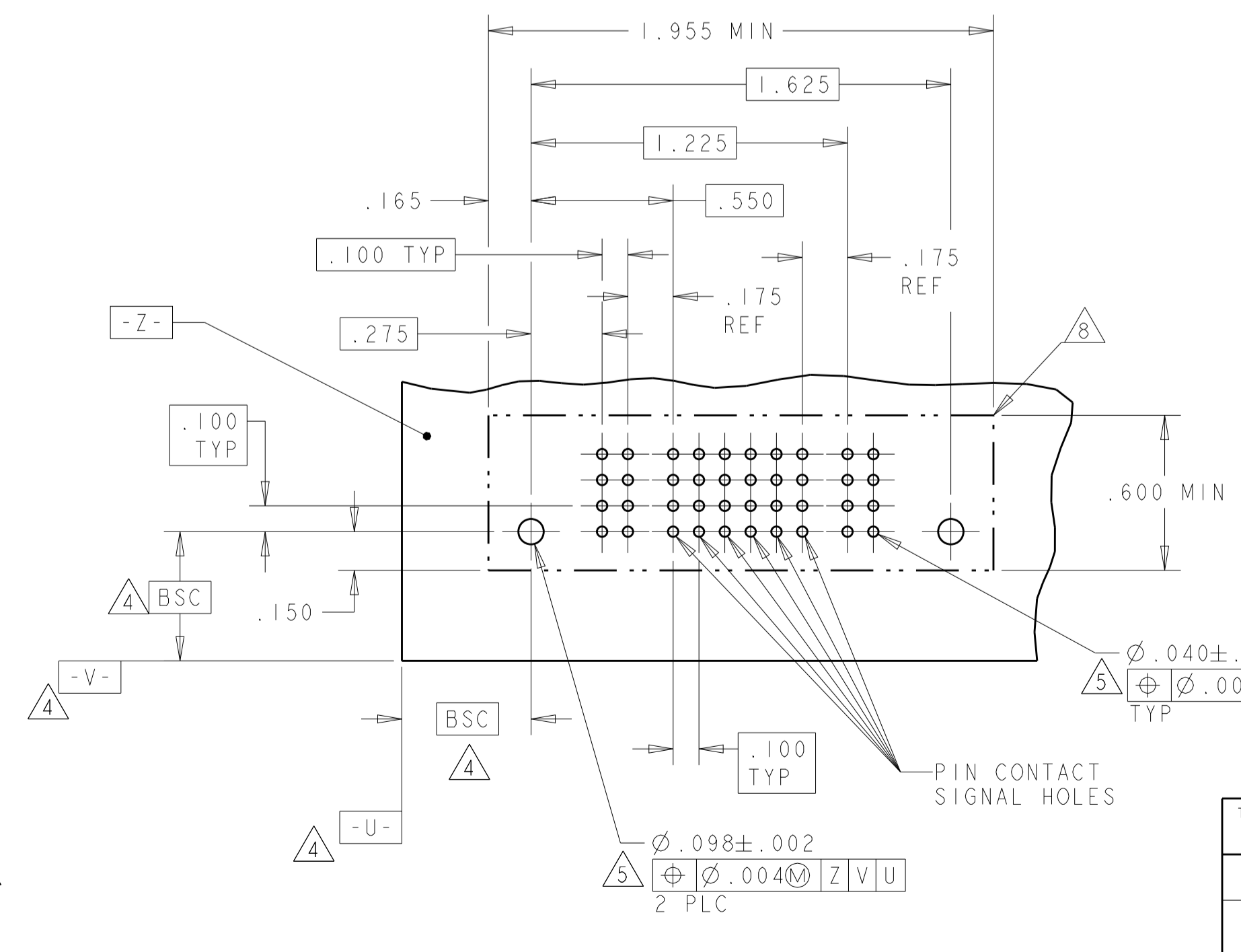
RECOMMENDED PCB LAYOUT 6600330-3
SCALE 2:1

PART NUMBER	ROWS	SIGNAL															POWER								
		P1	1	2	3	4	5	6	7	8	9	10	11	12	13	14		15	P2						
6600330-2	D	SZ	SV	SV	SV	SV	SV	SV	SV	SV	SV	SV	SV	SV	SV	SV	SV	SV	SV	SV	SV	SV	SV	SV	
	C		SV	SV	SV	SV	SV	SV	SV	SV	SV	SV	SV	SV	SV	SV	SV	SV	SV	SV	SV	SV	SV	SV	
	B		SV	SV	SV	SV	SV	SV	SV	SV	SV	SV	SV	SV	SV	SV	SV	SV	SV	SV	SV	SV	SV	SV	SV
	A		SV	SV	SV	SV	SV	SV	SV	SV	SV	SV	SV	SV	SV	SV	SV	SV	SV	SV	SV	SV	SV	SV	SV
1P+60S+1P		HD																				HD			



RECOMMENDED PCB LAYOUT 6600330-2
SCALE 2:1

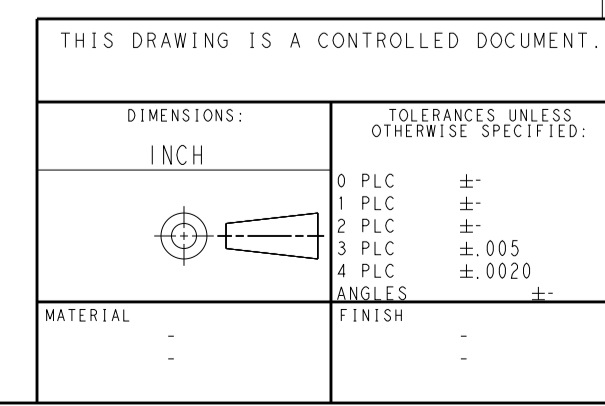
PART NUMBER	ROWS	SIGNAL						POWER			
		P1	1	2	3	4	5		6	P2	
6600330-4	D	SZ	SV	SV	SV	SV	SV	SV	SV	SV	SV
	C		SV	SV	SV	SV	SV	SV	SV	SV	SV
	B		SV	SV	SV	SV	SV	SV	SV	SV	SV
	A		SV	SV	SV	SV	SV	SV	SV	SV	SV
1P+24S+1P		HD								HD	



RECOMMENDED PCB LAYOUT 6600330-4
SCALE 2:1

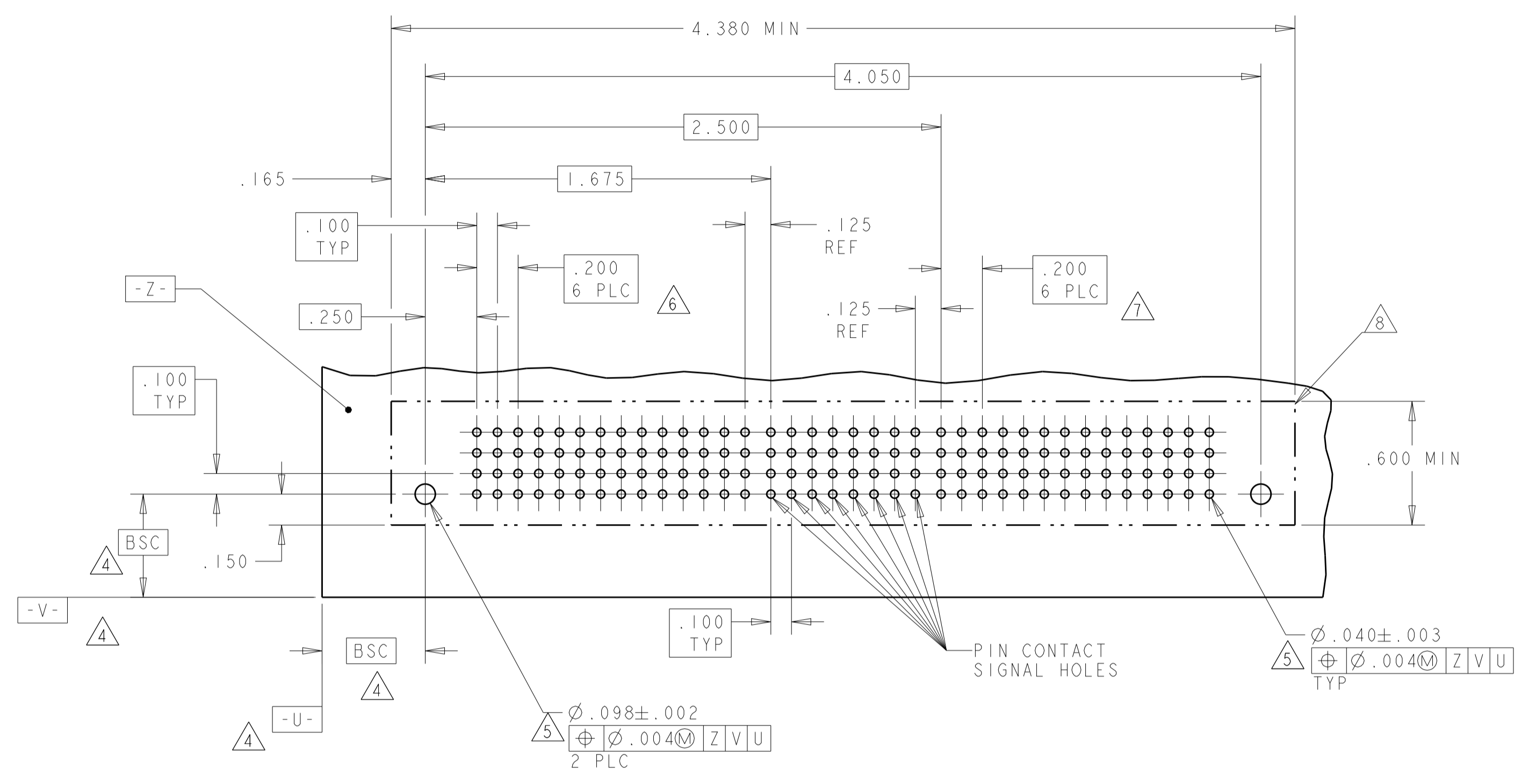
-	RETENTION CLIP	HD
STANDARD	SIGNAL CONTACT	SV or MV
MLBF	SIGNAL CONTACT	SS or MS
-	POWER CONTACT	SZ or MP
MATING SEQUENCE	DESCRIPTION	IDENTIFIER

THIS DRAWING IS A CONTROLLED DOCUMENT.		OWN: J. McCLINTON 22MAR2005
DIMENSIONS: INCH		CHK: D. TROUT 22MAR2005
TOLERANCES UNLESS OTHERWISE SPECIFIED:		APPD: R. MLYNE 22MAR2005
0 PLC	±	NAME: VERTICAL HEADER ASSEMBLY W/ GUIDES AND SOLDER TAILS MULTI-BEAM XL
1 PLC	±	PRODUCT SPEC: 108-1973
2 PLC	±	APPLICATION SPEC: 114-13038
3 PLC	±.005	SIZE: CAGE CODE DRAWING NO: A100779
4 PLC	±.0020	RESTRICTED TO: C=6600330
ANGLES	±.0020	WEIGHT: -
MATERIAL:	FINISH:	CUSTOMER DRAWING



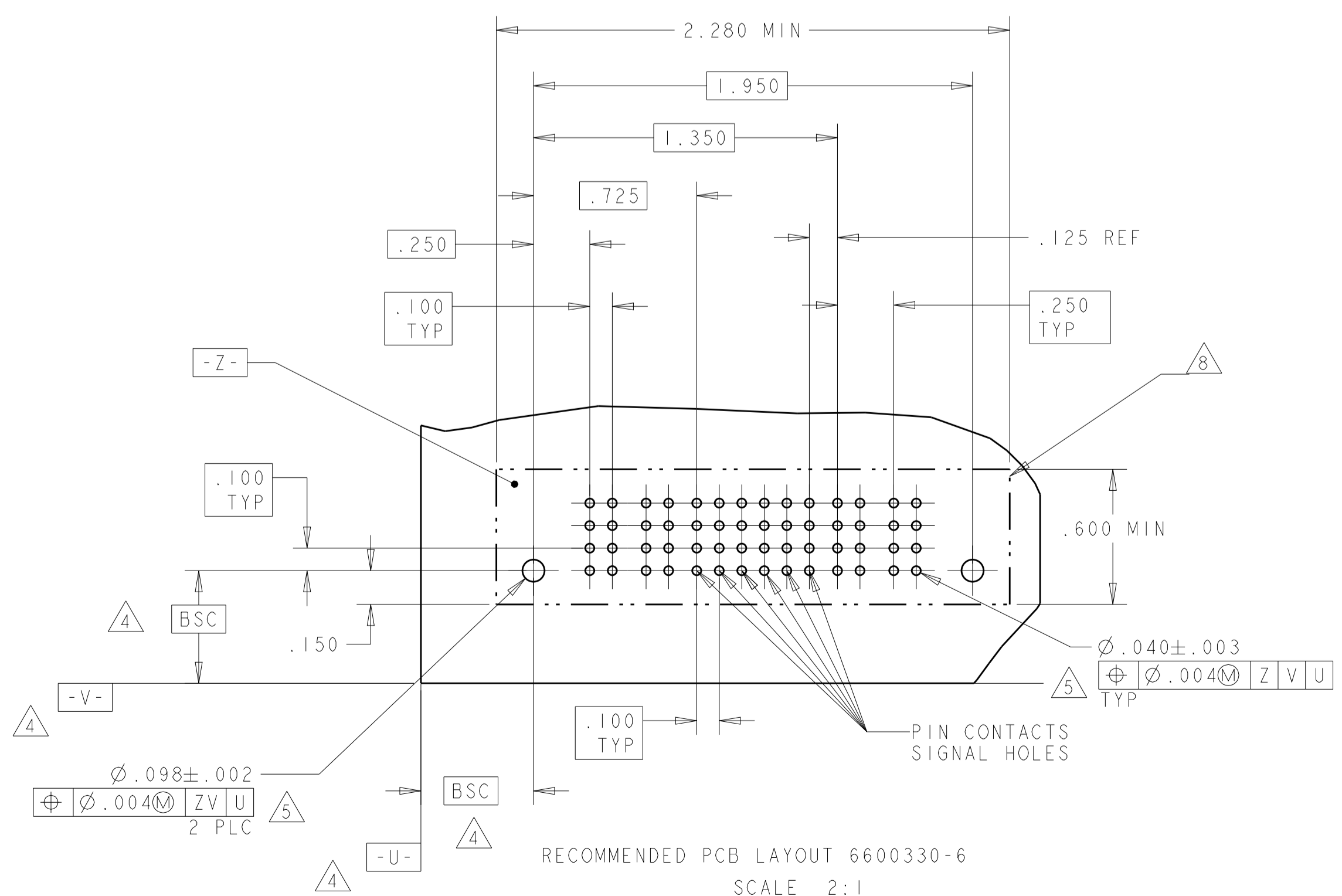
LOC	DIST	REVISIONS			
P	LTN	DESCRIPTION	DATE	OWN	APVD
ES	00	SEE SHEET 1			

PART NUMBER	ROWS	POWER						SIGNAL								POWER														
		P1	P2	P3	P4	P5	P6	P7	1	2	3	4	5	6	7	8	P8	P9	P10	P11	P12	P13	P14							
6600330-5	D	SZ	SZ	SZ	SZ	SZ	SZ	SV	SV	SV	SV	SV	SV	SV	SV	SZ	SZ	SZ	SZ	SZ	SZ	SZ								
	SV							SV	SV	SV	SV	SV	SV	SV																
	SV							SV	SV	SV	SV	SV	SV	SV																
	SV							SV	SV	SV	SV	SV	SV	SV																
7P+32S+7P	HD																													HD



RECOMMENDED PCB LAYOUT 6600330-5
SCALE 2:1

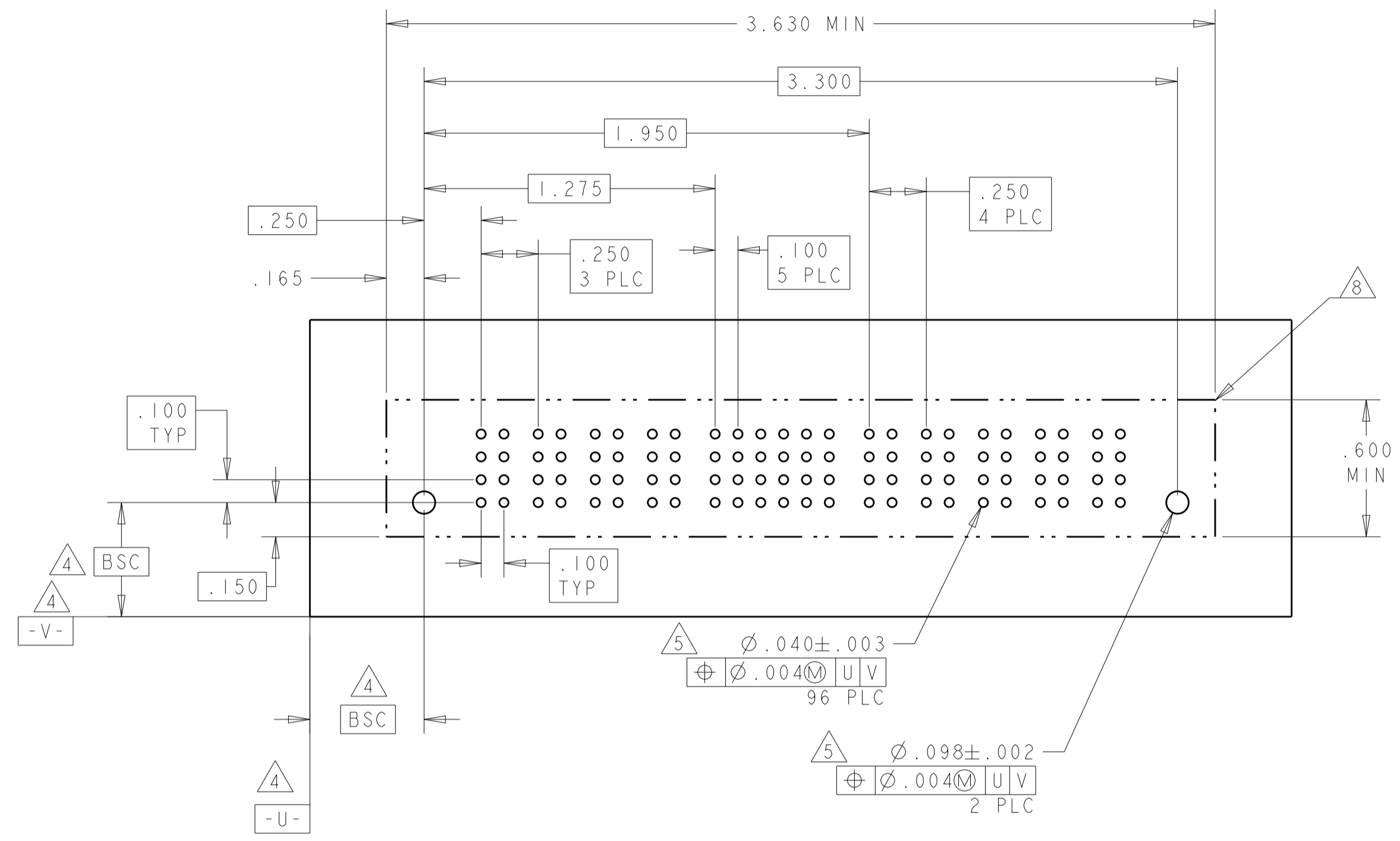
PART NUMBER	ROWS	POWER		SIGNAL						POWER		
		P1	P2	1	2	3	4	5	6	P3	P4	
6600330-6	D	MP	MP	MV	MV	MS	MV	MV	MV	MP	MP	
	MV			MV	MV	MV	MV	MV				
	MV			MV	MS	MV	MV	MV				
	MV			MV	MV	MV	MV	MV				
2P+24S+2P	HD											HD



RECOMMENDED PCB LAYOUT 6600330-6
SCALE 2:1

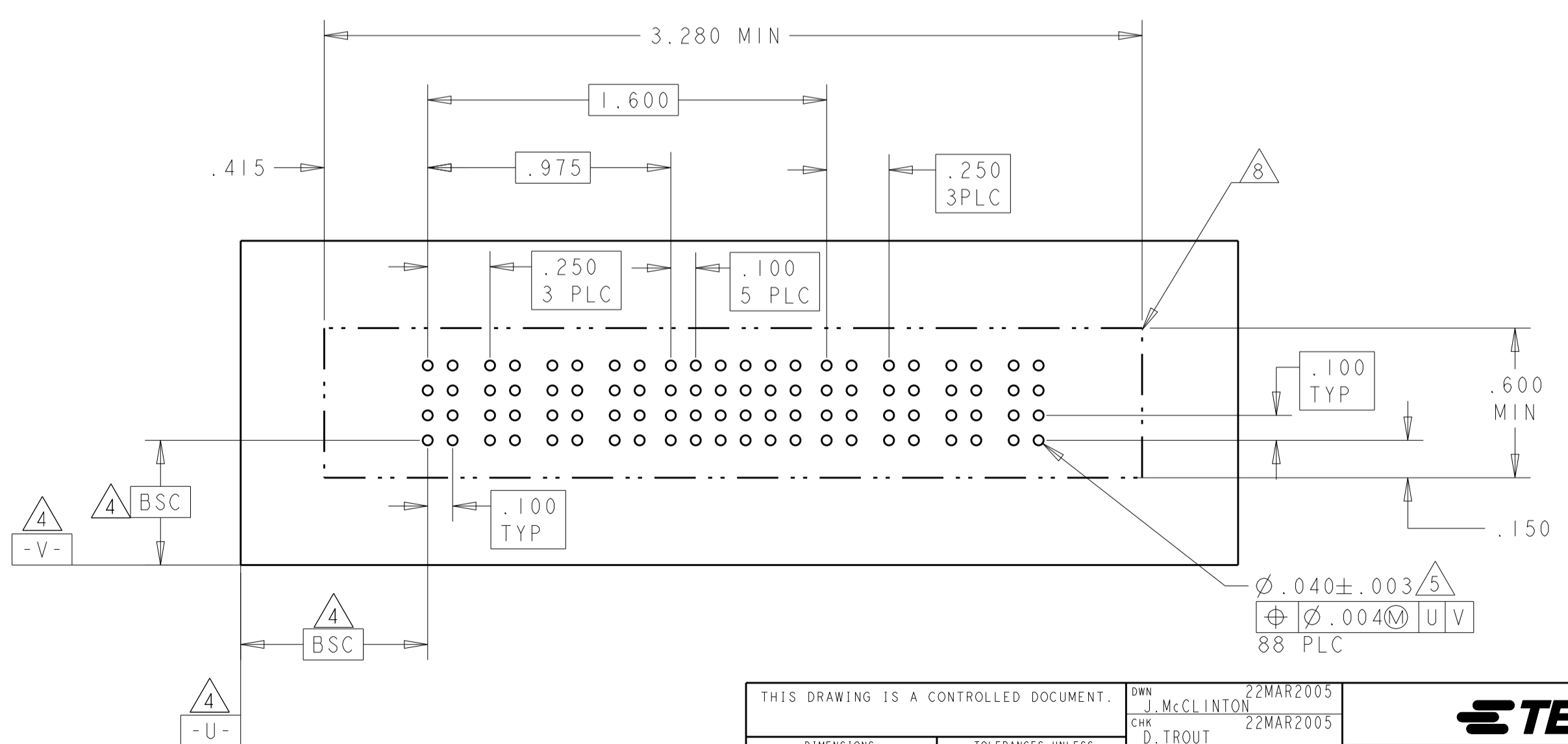
PART NUMBER	ROWS	POWER				SIGNAL					POWER						
		P1	P2	P3	P4	1	2	3	4	5	6	P5	P6	P7	P8	P9	
6600330-8	D	SZ	SZ	SZ	SZ	SS	SV	SS	SV	SV		SZ	SZ	SZ	SZ	SZ	
	SV					SV	SV	SV	SV								
	SV					SS	SV	SV	SV								
	SS					SS	SV	SV	SS								
4P+24S+5P	HD																HD

NO CONTACTS LOADED



RECOMMENDED PCB LAYOUT FOR 6600330-8

PART NUMBER	ROWS	POWER				SIGNAL						POWER			
		P1	P2	P3	P4	1	2	3	4	5	6	P5	P6	P7	P8
6600330-9	D	SZ	SZ	SZ	SZ	SV	SV	SV	SV	SV	SV	SZ	SZ	SZ	SZ
	SV					SV	SV	SV	SV	SV					
	SV					SV	SV	SV	SV	SV					
	SV					SV	SV	SV	SV	SV					
4P+24S+4P															

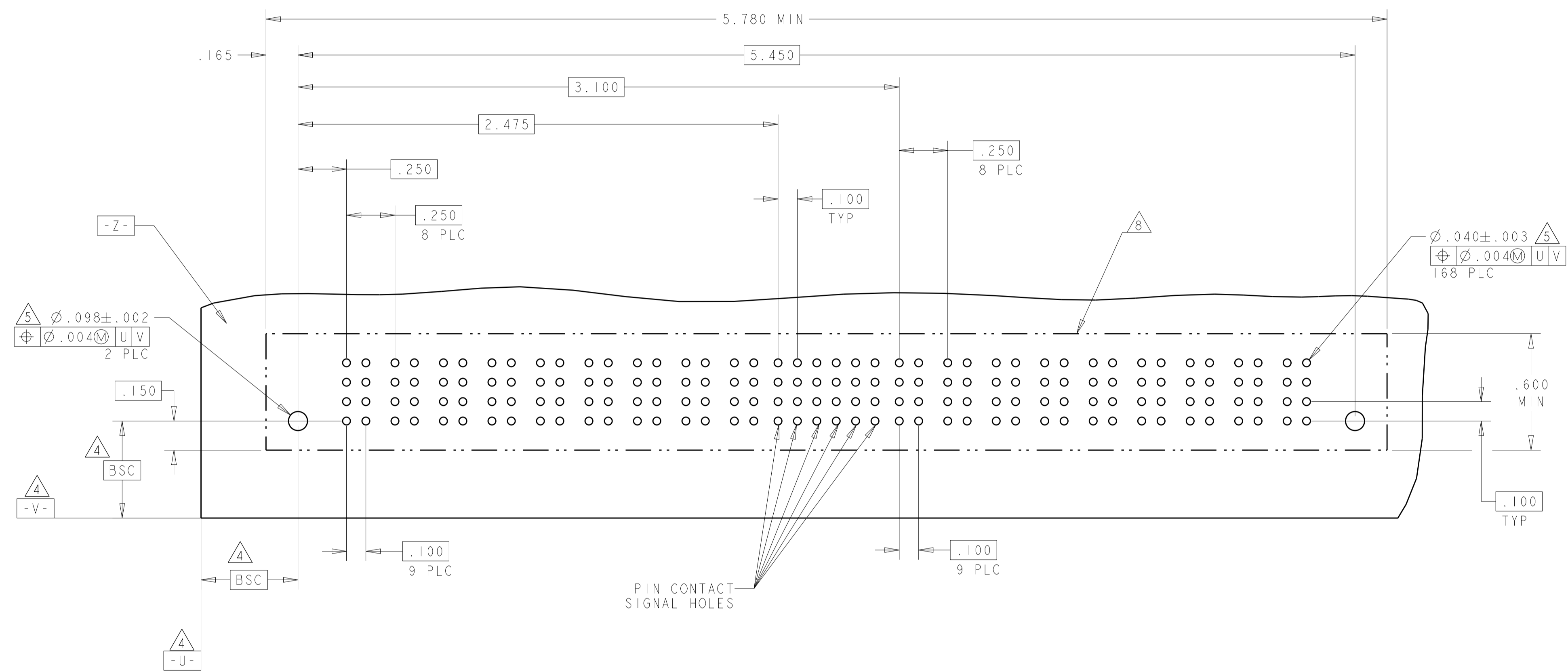


THIS DRAWING IS A CONTROLLED DOCUMENT.

DIMENSIONS: INCH 	TOLERANCES UNLESS OTHERWISE SPECIFIED: 0 PLC ± 1 PLC ± 2 PLC ± 3 PLC ±.005 4 PLC ±.002 ANGLES ±.020	OWN: J. McCLINTON 22MAR2005 CHK: D. TROUT 22MAR2005 APVD: B. MLYNE 22MAR2005 PRODUCT SPEC 108-1973 APPLICATION SPEC 114-13038 WEIGHT CUSTOMER DRAWING	NAME: VERTICAL HEADER ASSEMBLY W/ GUIDES AND SOLDER TAILS MULTI-BEAM XL SIZE: A1 CAGE CODE: 6600330 SCALE: 4:1 SHEET: 4 OF 10 REV: J7
-------------------------	---	---	--

LOC	DIST	REVISIONS			
P	LTN	DESCRIPTION	DATE	DMN	APVD
ES	00	SEE SHEET 1			

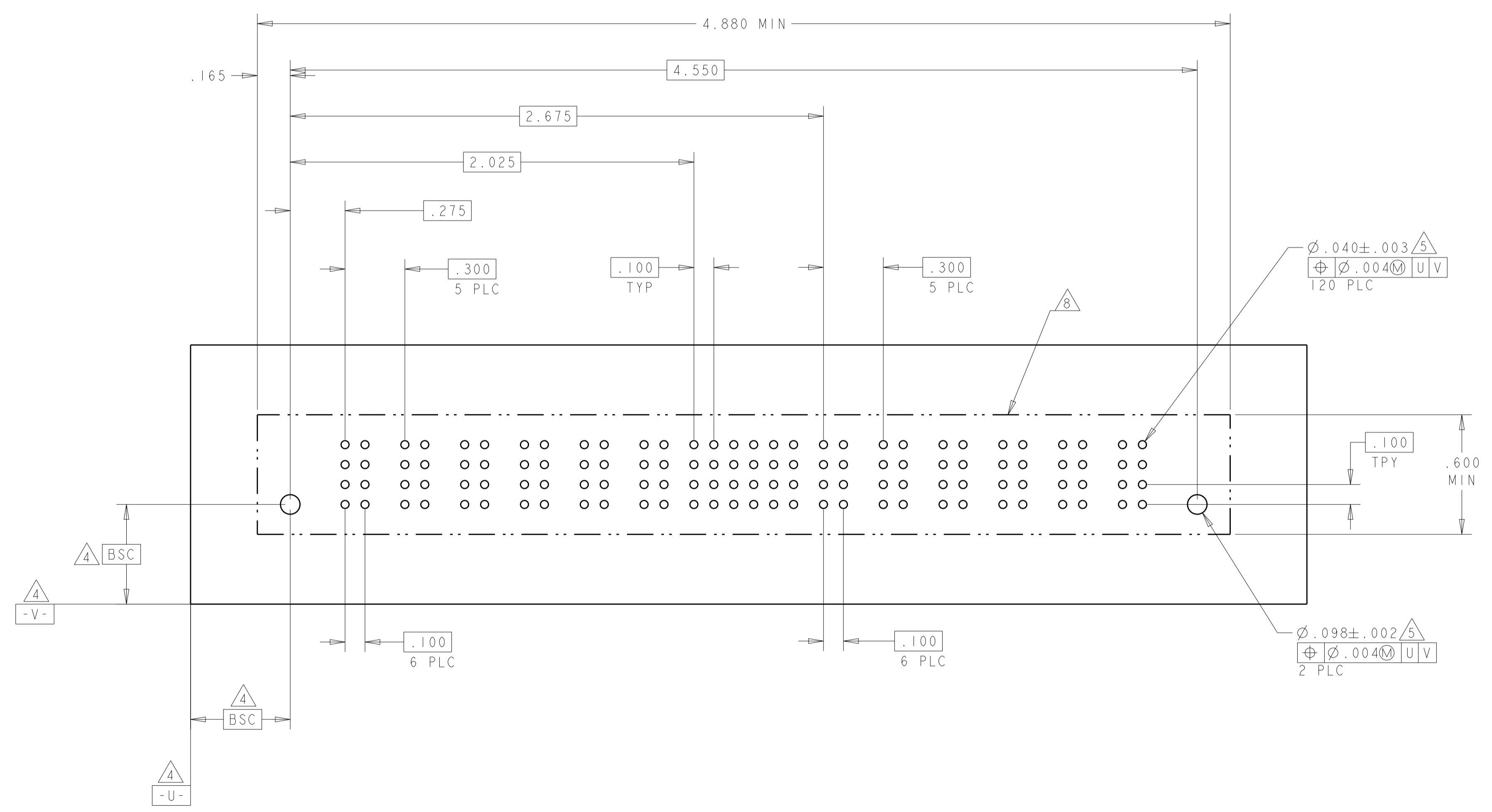
PART NUMBER	ROWS	POWER									SIGNAL						POWER									
		P1	P2	P3	P4	P5	P6	P7	P8	P9	1	2	3	4	5	6	PI0	PI1	PI2	PI3	PI4	PI5	PI6	PI7	PI8	
I-6600330-0	D		SZ	SZ	SZ	SZ	SZ	SZ	SZ	SZ	SV	SV	SV	SV	SV	SV	SZ	SZ	SZ	SZ	SZ	SZ	SZ	SZ	SZ	
	SV										SV	SV	SV	SV	SV											
	SV										SV	SV	SV	SV	SV											
	SV										SV	SV	SV	SV	SV											
9P+24S+9P	HD																									HD



THIS DRAWING IS A CONTROLLED DOCUMENT.		DMN J. McCLINTON 22MAR2005		TE Connectivity	
DIMENSIONS: INCH		CHK D. TROUT 22MAR2005		NAME VERTICAL HEADER ASSEMBLY W/ GUIDES AND SOLDER TAILS MULTI-BEAM XL	
TOLERANCES UNLESS OTHERWISE SPECIFIED:		APVD B. WHYNE 22MAR2005	PRODUCT SPEC		
0 PLC ±. 1 PLC ±. 2 PLC ±. 3 PLC ±.005 4 PLC ±.0020 ANGLES ±.		APPLICATION SPEC		RESTRICTED TO	
MATERIAL		WEIGHT		SIZE CAGE CODE DRAWING NO	
FINISH		CUSTOMER DRAWING		A100779C=6600330	
		SCALE 4:1		SHEET 5 OF 10 REV J7	

LOC	DIST	REVISIONS					
		P	LTN	DESCRIPTION	DATE	DWN	APVD
ES	00	-	-	SEE SHEET 1	-	-	-

PART NUMBER	ROWS	POWER						SIGNAL						POWER						
		P1	P2	P3	P4	P5	P6	1	2	3	4	5	6	P7	P8	P9	P10	P11	P12	
I-6600330-1	D	S	Z	Z	Z	Z	Z	SV	SV	SV	SV	SV	SV	S	Z	Z	Z	Z	Z	
	C							SS	SS	SS	SS	SS	SS							
	B							SS	SS	SS	SS	SS	SS							
	A							SS	SS	SS	SS	SS	SS							
6ACP+24S+6ACP	HD																			HD

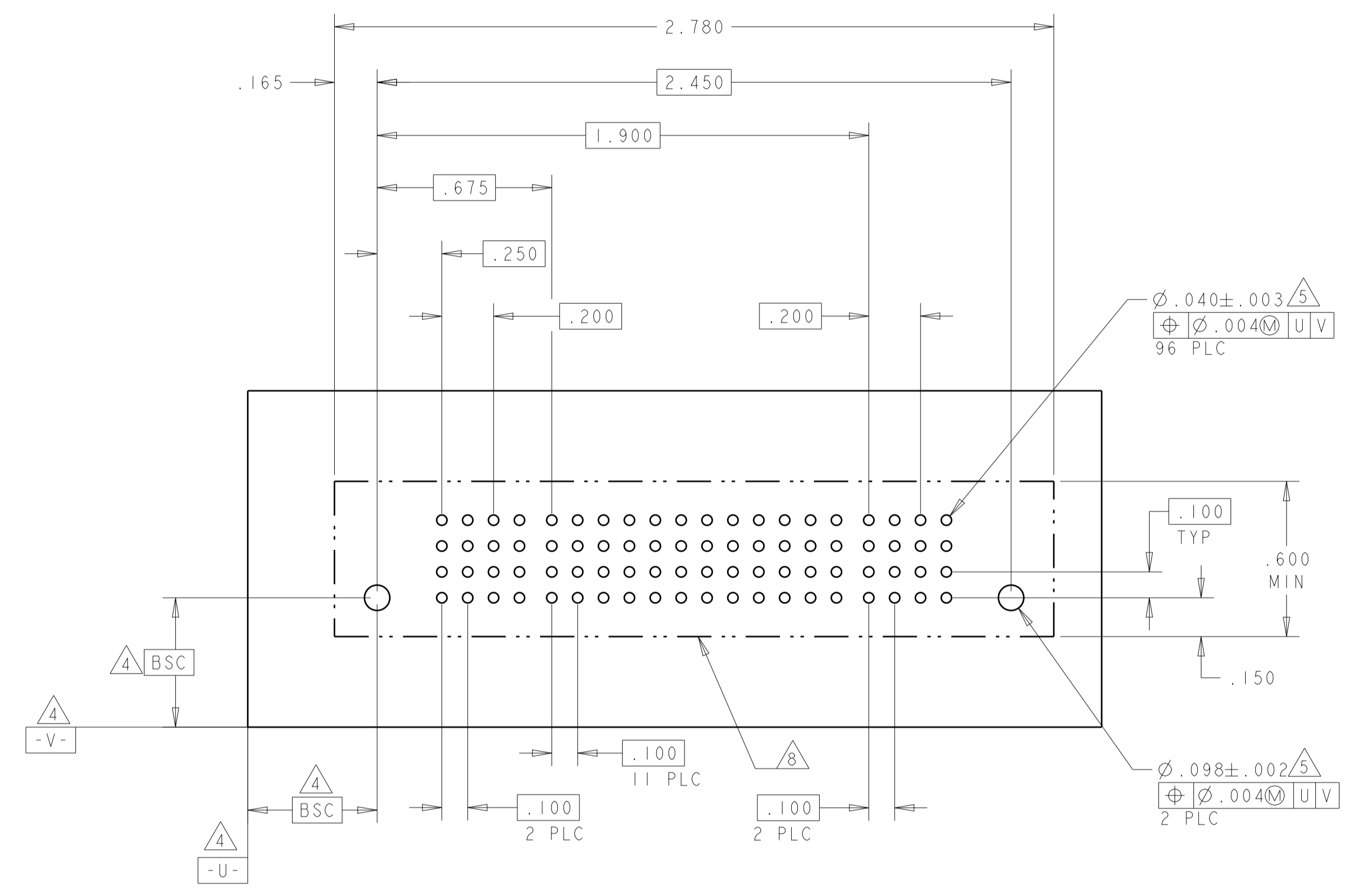
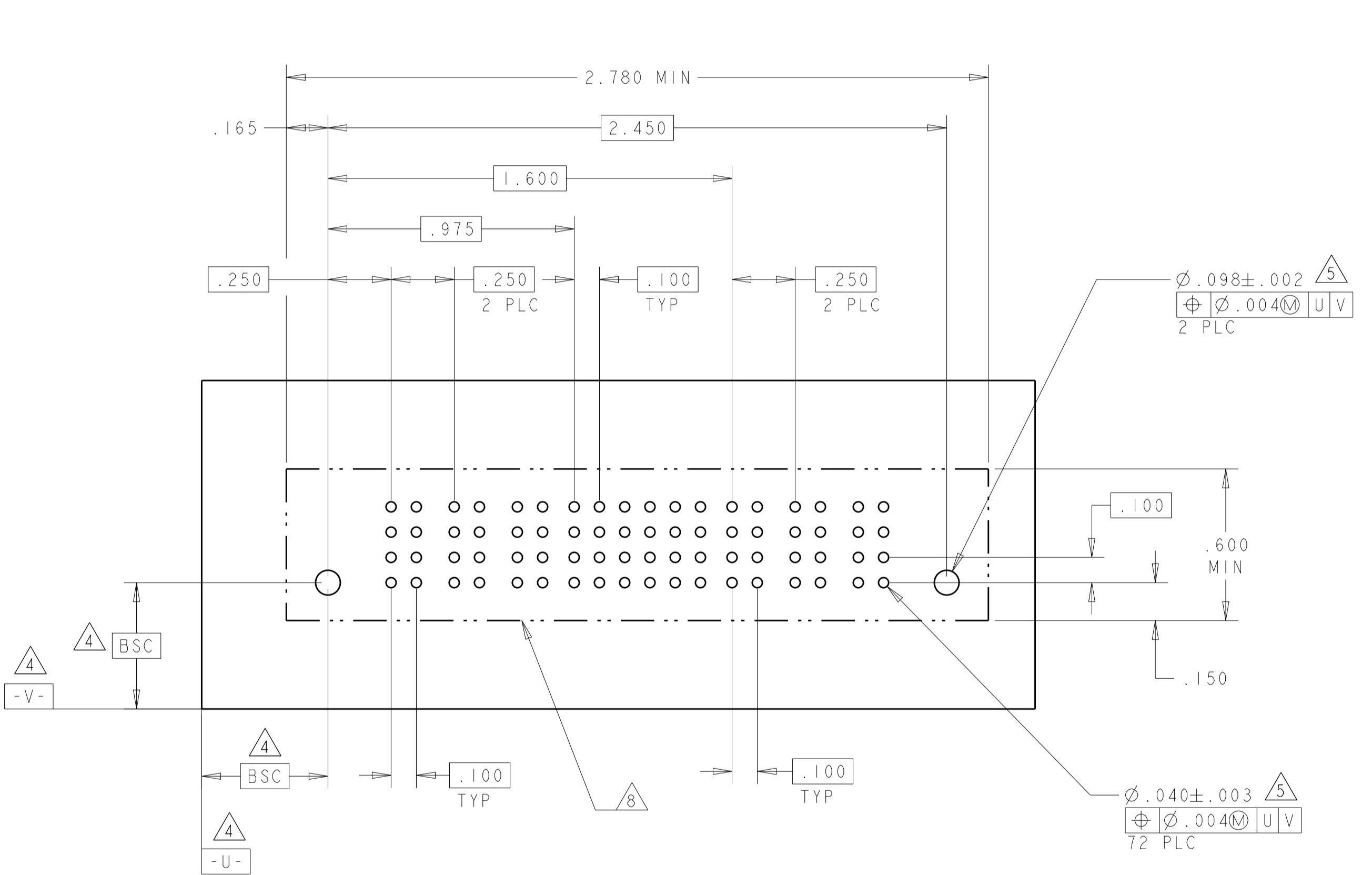


THIS DRAWING IS A CONTROLLED DOCUMENT.		DWN J. McCLINTON 22MAR2005													
DIMENSIONS: INCH		CHK D. TROUT 22MAR2005													
TOLERANCES UNLESS OTHERWISE SPECIFIED:		APVD B. WHYNE 22MAR2005	NAME VERTICAL HEADER ASSEMBLY W/ GUIDES AND SOLDER TAILS MULTI-BEAM XL												
<table border="1"> <tr> <td>0 PLC</td> <td>±</td> </tr> <tr> <td>1 PLC</td> <td>±</td> </tr> <tr> <td>2 PLC</td> <td>±</td> </tr> <tr> <td>3 PLC</td> <td>±</td> </tr> <tr> <td>4 PLC</td> <td>±.005</td> </tr> <tr> <td>ANGLES</td> <td>±.0020</td> </tr> </table>		0 PLC	±	1 PLC	±	2 PLC	±	3 PLC	±	4 PLC	±.005	ANGLES	±.0020	PRODUCT SPEC 108-1973	RESTRICTED TO
0 PLC	±														
1 PLC	±														
2 PLC	±														
3 PLC	±														
4 PLC	±.005														
ANGLES	±.0020														
MATERIAL		APPLICATION SPEC 114-13038	SIZE A100779												
FINISH		WEIGHT	CAGE CODE C=6600330												
CUSTOMER DRAWING		SCALE 4:1	SHEET 6 OF 10												
		REV J7													

LOC	DIST	REVISIONS			
P	LTN	DESCRIPTION	DATE	DMN	APVD
ES	00	SEE SHEET 1			

PART NUMBER	ROWS	POWER			SIGNAL						POWER		
		P1	P2	P3	1	2	3	4	5	6	P4	P5	P6
I-6600330-2	D	SZ	SZ	SZ	SV	SV	SV	SV	SV	SV	SZ	SZ	SZ
	C				SV	SV	SV	SV	SV	SV			
	B				SV	SV	SV	SV	SV	SV			
	A				SV	SV	SV	SV	SV	SV			
3P + 24S + 3P													

PART NUMBER	ROWS	POWER		SIGNAL												POWER			
		P1	P2	1	2	3	4	5	6	7	8	9	10	11	12	P3	P4		
I-6600330-3	D	SZ	SZ	SV	SV	SS	SS	SV	SS	SS	SV	SS	SS	SV	SS	SS	SV	SS	SS
	C			SS	SS	SV	SS	SS	SS	SS	SV	SS	SS	SS	SS	SS	SS	SS	SS
	B			SV	SV	SS	SS	SS	SS	SS	SS	SV	SS	SS	SS	SS	SS	SS	SS
	A			SS	SS	SV	SS	SS	SS	SS	SS	SV	SS	SS	SS	SS	SS	SS	SS
2HDP + 48S + 2HDP																			

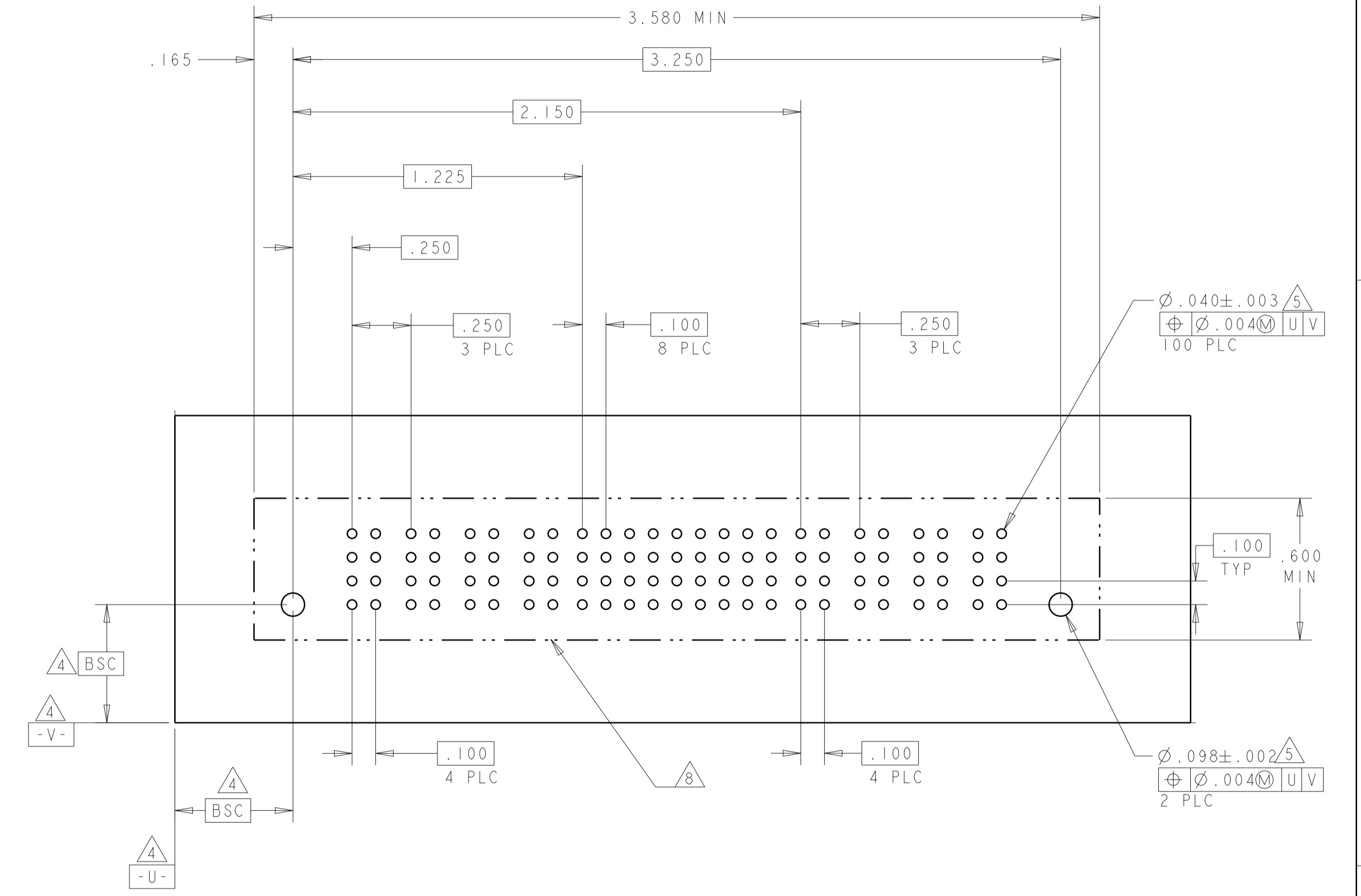
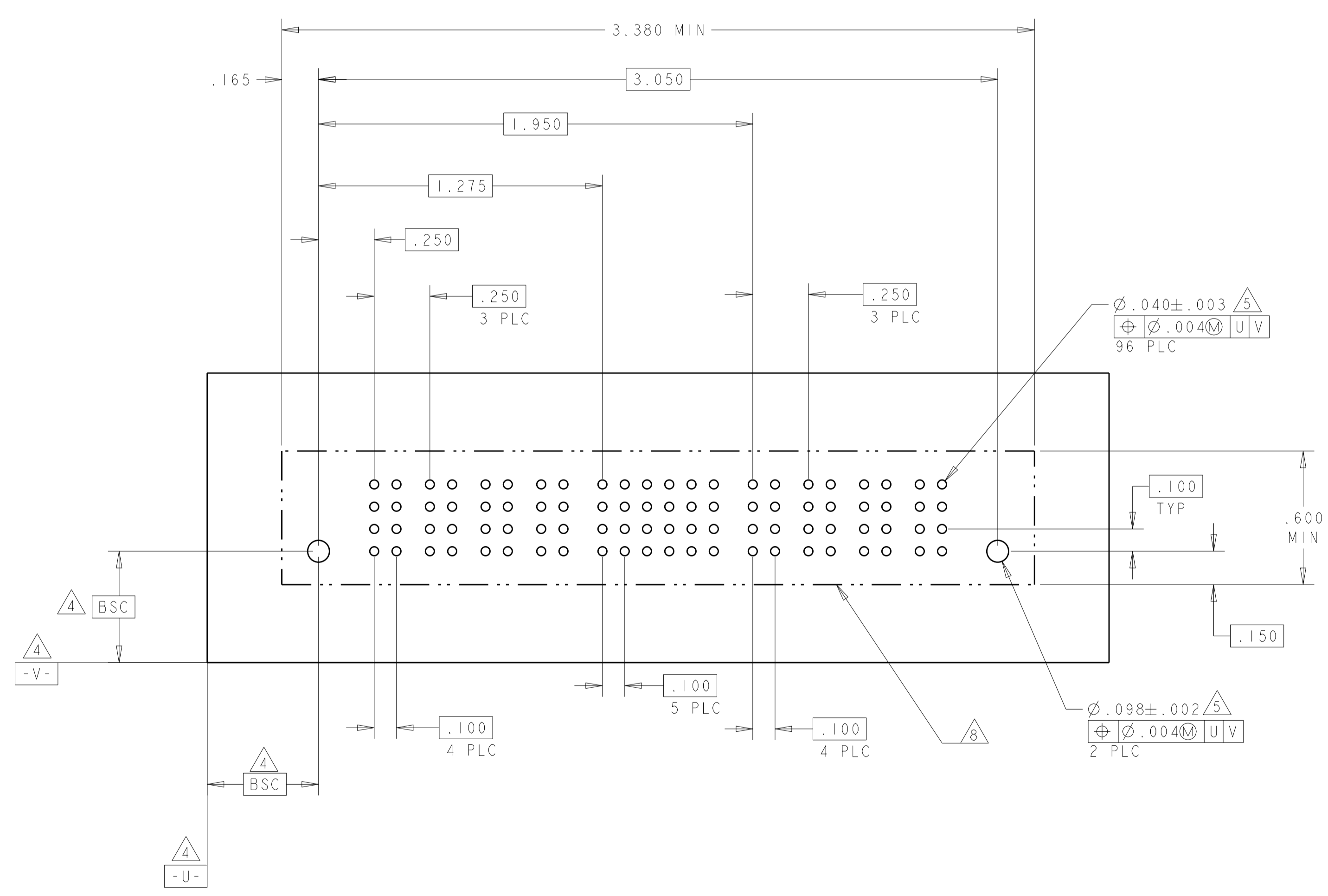


THIS DRAWING IS A CONTROLLED DOCUMENT.		DMN J. McCLINTON 22MAR2005	 TE Connectivity
DIMENSIONS: INCH		CHK D. TROUT 22MAR2005	
TOLERANCES UNLESS OTHERWISE SPECIFIED:		APVD B. WHYNE 22MAR2005	NAME VERTICAL HEADER ASSEMBLY W/ GUIDES AND SOLDER TAILS MULTI-BEAM XL
0 PLC ±. 1 PLC ±. 2 PLC ±. 3 PLC ±.005 4 PLC ±.0020 ANGLES ±.		PRODUCT SPEC 108-1973	SIZE A100779
MATERIAL FINISH		APPLICATION SPEC 114-13038	RESTRICTED TO C=6600330
		WEIGHT	SCALE 4:1 SHEET 7 OF 10 REV J7
		CUSTOMER DRAWING	

LOC	DIST	REV	DATE	BY	APPV
ES	00				
REVISIONS					

PART NUMBER	ROWS	POWER				SIGNAL						POWER			
		P1	P2	P3	P4	1	2	3	4	5	6	P5	P6	P7	P8
1-6600330-9	D	SZ	SZ	SZ	SZ	SS	SS	SS	SS	SV	SS	SZ	SZ	SZ	SZ
	C					SS	SS	SS	SS	SV	SS				
	B					SS	SS	SS	SS	SV	SS				
	A					SS	SS	SV	SS	SV	SS				
4P+24S+4P		HD													HD

PART NUMBER	ROWS	POWER				SIGNAL									POWER							
		P1	P2	P3	P4	1	2	3	4	5	6	7	8	9	P5	P6	P7	P8				
2-6600330-0	D	SZ	SZ	SZ	SZ	SV	SV	SV	SV	SV	SV	SV	SV	SV	SV	SV	SV	SZ	SZ	SZ	SZ	
	C					SV	SV	SV	SV	SV	SV	SV	SV	SV	SV							
	B					SV	SV	SV	SV	SV	SV	SV	SV	SV	SV							
	A					SV	SV	SV	SV	SV	SV	SV	SV	SV	SV							
4P+36S+4P		HD																				HD



THIS DRAWING IS A CONTROLLED DOCUMENT.

DIMENSIONS:	TOLERANCES UNLESS OTHERWISE SPECIFIED:	OWN: J. McCLINTON 22MAR2005	CHK: D. TROUT 22MAR2005	APV: B. WHYNE 22MAR2005
INCH	0 PLC ±	PRODUCT SPEC	108-1973	APPLICATION SPEC
	1 PLC ±	114-13038	WEIGHT	
	2 PLC ±			
	3 PLC ±			
	4 PLC ±			
	ANGLES ±			
MATERIAL	FINISH			

NAME: VERTICAL HEADER ASSEMBLY W/ GUIDES AND SOLDER TAILS MULTI-BEAM XL

SIZE: A1 00779 C=6600330

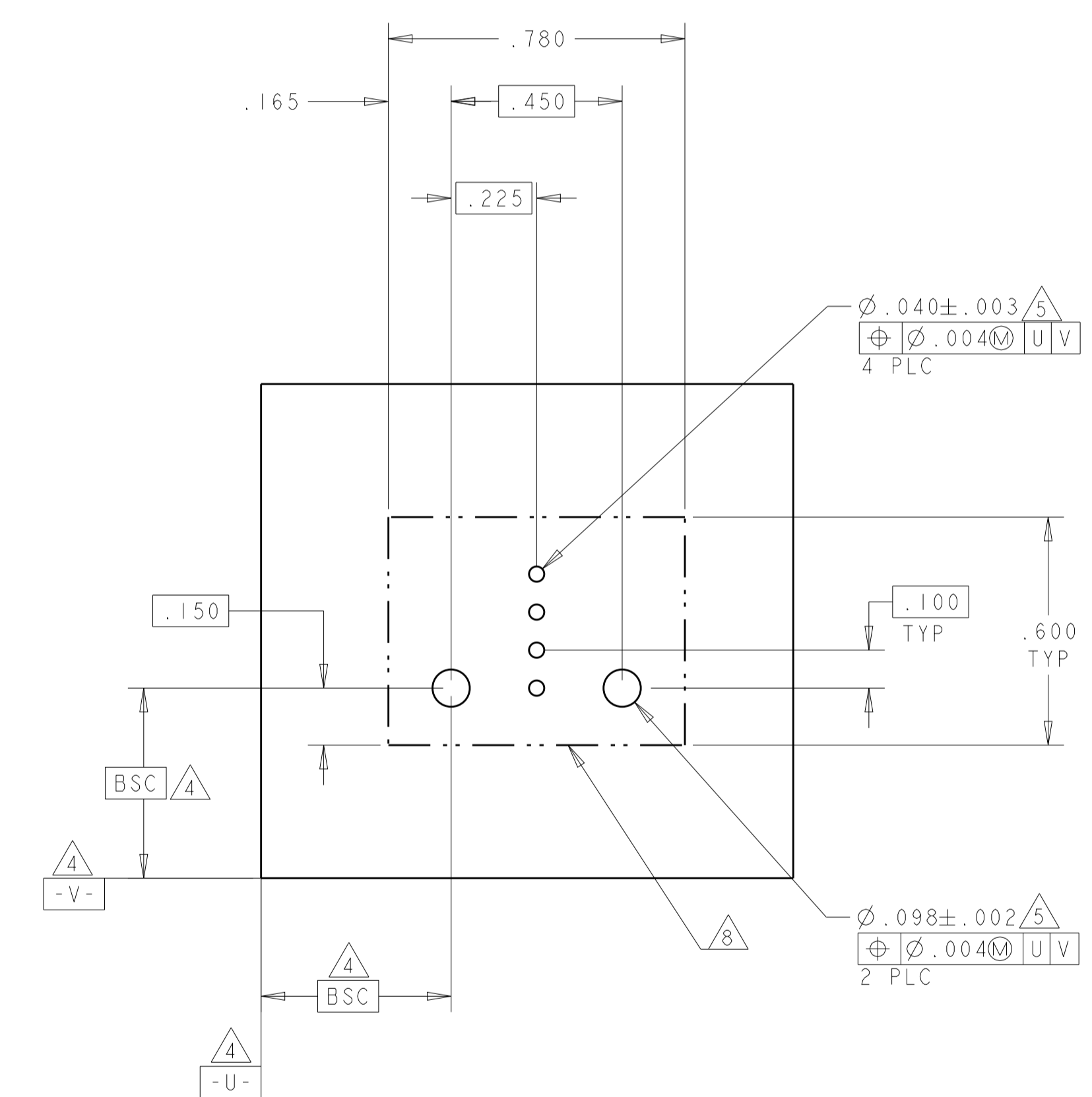
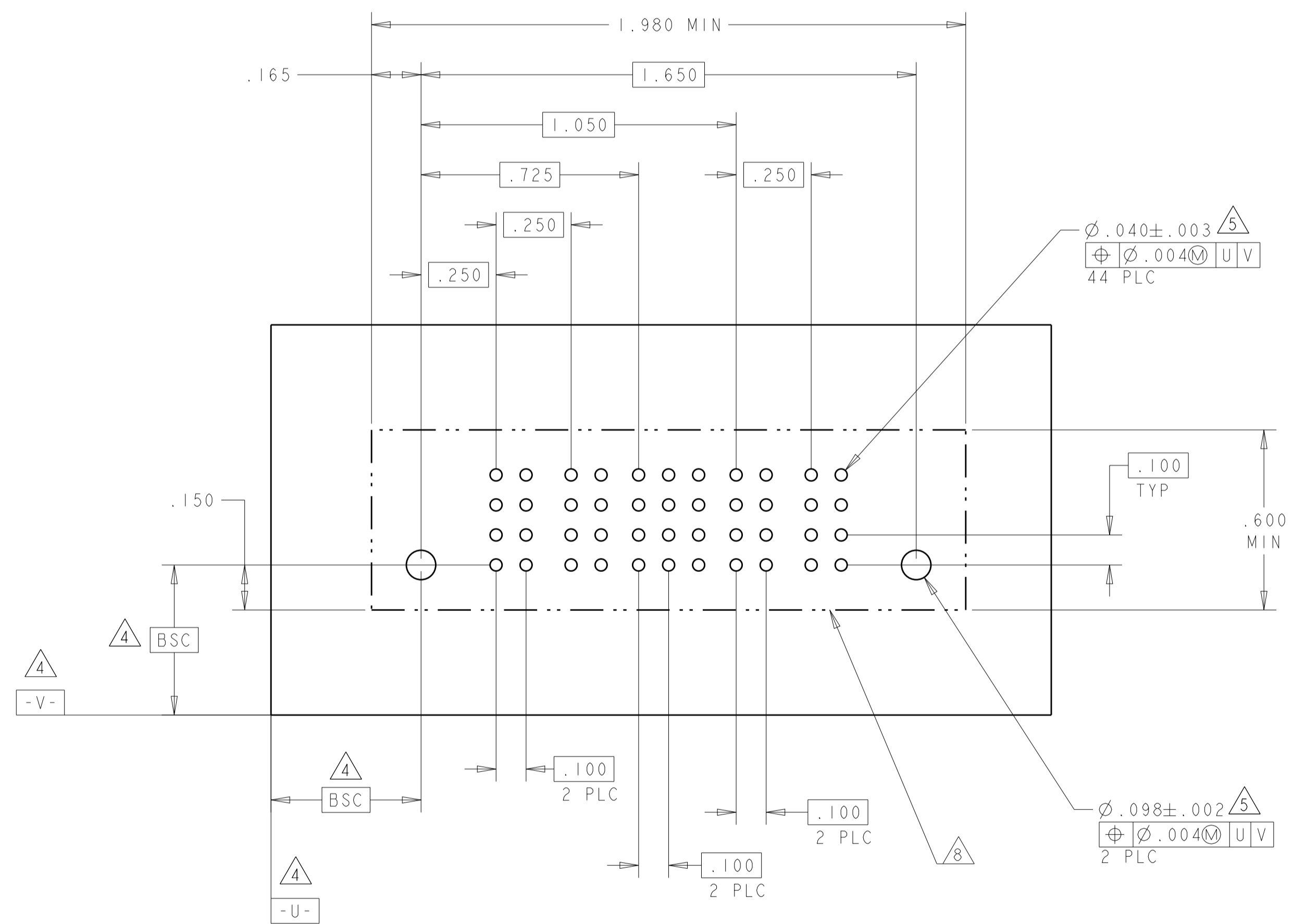
CUSTOMER DRAWING SCALE: 4:1 SHEET 8 OF 10 REV J7

LOC		DIST		REVISIONS			
P	LTN	DESCRIPTION	DATE	DMN	APVD		
-	-	SEE SHEET 1	-	-	-	-	-

PART NUMBER	ROWS	POWER		SIGNAL			POWER	
		P1	P2	1	2	3	P3	P4
2-6600330-1	D	SZ	SZ	SV	SV	SV	SZ	SZ
	C			SV	SV	SV		
	B			SV	SV	SV		
	A			SV	SV	SV		
2P + 12S + 2P		HD					HD	

PART NUMBER	ROWS	SIGNAL	
		1	2
2-6600330-3	D	SV	
	C	SV	
	B	SV	
	A	SV	
4S		HD	HD

J3

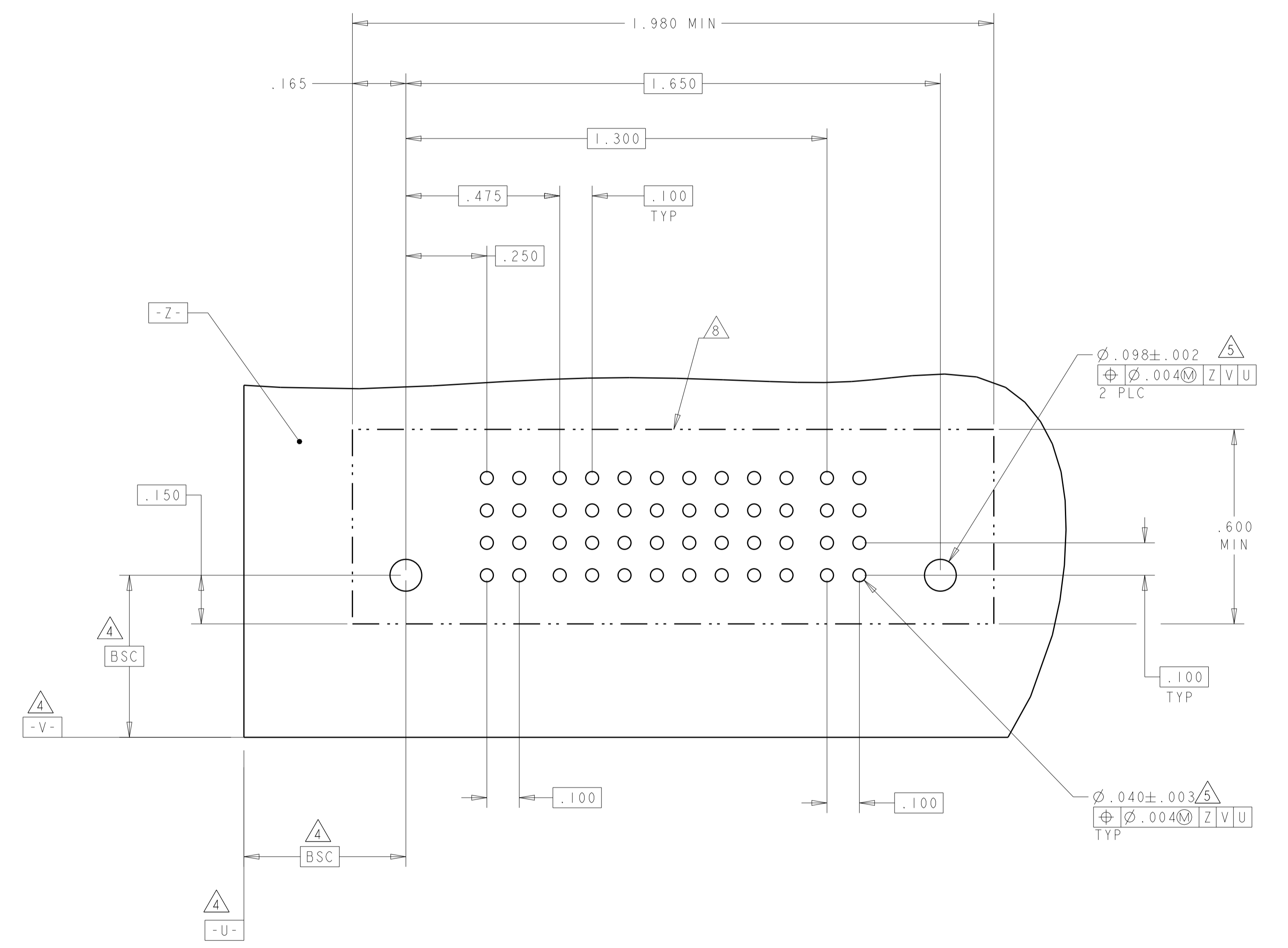
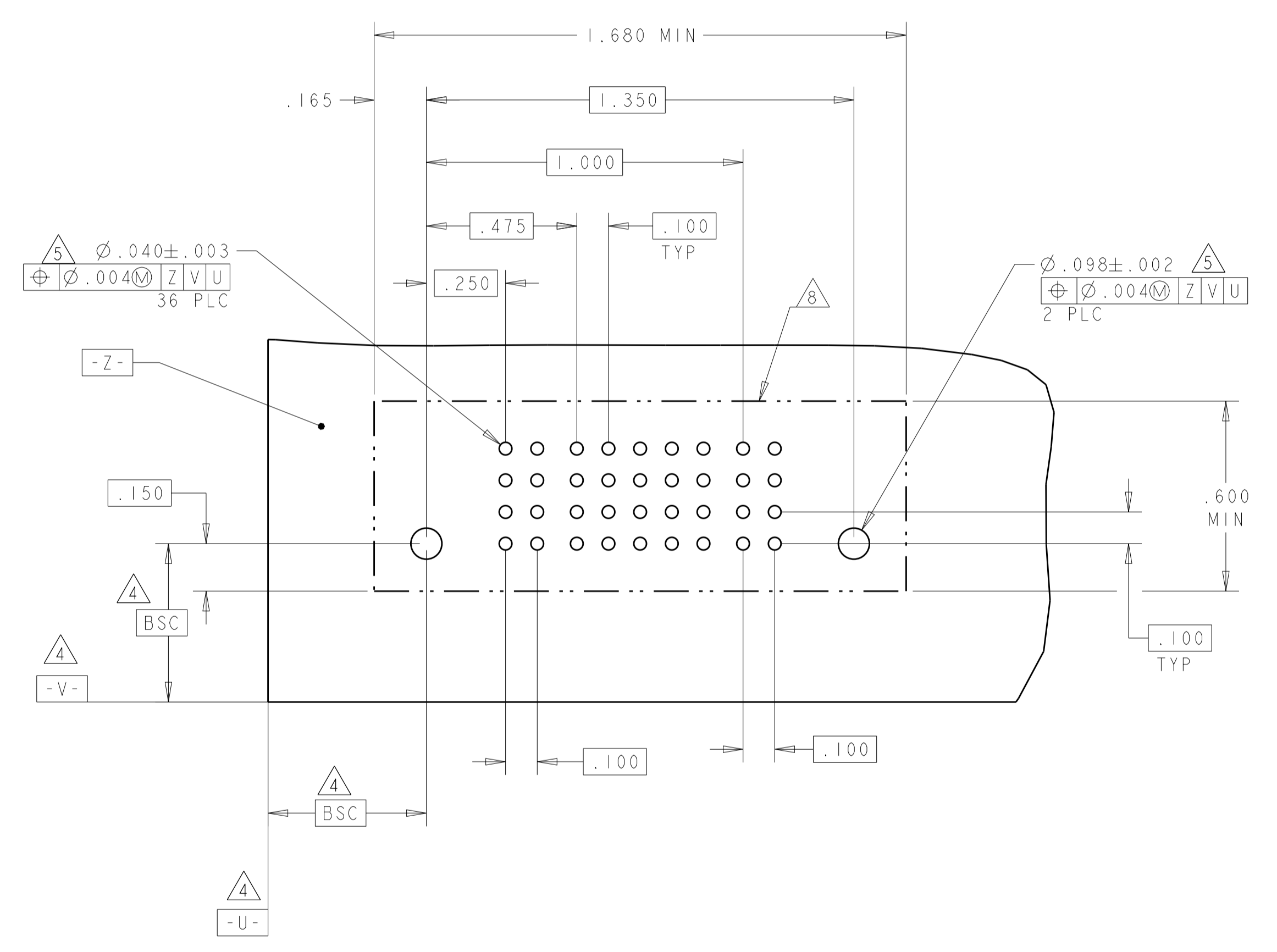


THIS DRAWING IS A CONTROLLED DOCUMENT.		DMN: J. McCLINTON 22MAR2005	TE Connectivity
DIMENSIONS: INCH		CHK: D. TROUT 22MAR2005	
TOLERANCES UNLESS OTHERWISE SPECIFIED:		APVD: P. WHYNE 22MAR2005	NAME: VERTICAL HEADER ASSEMBLY W/ GUIDES AND SOLDER TAILS MULTI-BEAM XL
0 PLC ±	1 PLC ±	PRODUCT SPEC: 108-1973	SIZE: A100779
2 PLC ±	3 PLC ±	APPLICATION SPEC: 114-13038	CAGE CODE: C=6600330
4 PLC ±	ANGLES ±	WEIGHT: -	RESTRICTED TO: -
MATERIAL: -	FINISH: -	CUSTOMER DRAWING	SCALE: 4:1 SHEET 9 OF 10 REV: J7

LOC	DIST	REVISIONS			
ES	00	REV	DATE	BY	APPV
-	-	SEE SHEET 1	-	-	-

PART NUMBER	ROWS	POWER	SIGNAL					POWER	
			PI	1	2	3	4		5
2-6600330-4	D	SZ	SZ	SV	SV	SV	SV	SV	SZ
	C			SV	SV	SV	SV	SV	
	B			SV	SV	SV	SV	SV	
	A			SV	SV	SV	SV	SV	
IP+20S+IP		HD						HD	

PART NUMBER	ROWS	POWER	SIGNAL								POWER		
			PI	1	2	3	4	5	6	7		8	P2
2-6600330-5	D	SZ	SZ	SV	SV	SV	SV	SV	SV	SV	SV	SV	SZ
	C			SV	SV	SV	SV	SV	SV	SV	SV		
	B			SV	SV	SV	SV	SV	SV	SV	SV		
	A			SV	SV	SV	SV	SV	SV	SV	SV		
IP+32S+IP		HD										HD	



THIS DRAWING IS A CONTROLLED DOCUMENT.

DIMENSIONS:	TOLERANCES UNLESS OTHERWISE SPECIFIED:	OWN	J. McCLINTON	22MAR2005
INCH	0 PLC ± .005	CHK	D. TROUT	22MAR2005
	1 PLC ± .005	APPV	B. WHYNE	22MAR2005
	2 PLC ± .005	PRODUCT SPEC		
	3 PLC ± .005	APPLICATION SPEC		
	4 PLC ± .0020	SIZE	114-13038	
	ANGLES ± .0020	WEIGHT		
MATERIAL	FINISH	CUSTOMER DRAWING		

NAME: VERTICAL HEADER ASSEMBLY W/ GUIDES AND SOLDER TAILS MULTI-BEAM XL

SIZE: A1 | CAGE CODE: 6600330 | DRAWING NO: 108-1973 | SHEET 10 OF 10

SCALE: 4:1 | REV: J7

Компания «Life Electronics» занимается поставками электронных компонентов импортного и отечественного производства от производителей и со складов крупных дистрибьюторов Европы, Америки и Азии.

С конца 2013 года компания активно расширяет линейку поставок компонентов по направлению коаксиальный кабель, кварцевые генераторы и конденсаторы (керамические, пленочные, электролитические), за счёт заключения дистрибьюторских договоров

Мы предлагаем:

- Конкурентоспособные цены и скидки постоянным клиентам.
- Специальные условия для постоянных клиентов.
- Подбор аналогов.
- Поставку компонентов в любых объемах, удовлетворяющих вашим потребностям.
- Приемлемые сроки поставки, возможна ускоренная поставка.
- Доставку товара в любую точку России и стран СНГ.
- Комплексную поставку.
- Работу по проектам и поставку образцов.
- Формирование склада под заказчика.
- Сертификаты соответствия на поставляемую продукцию (по желанию клиента).
- Тестирование поставляемой продукции.
- Поставку компонентов, требующих военную и космическую приемку.
- Входной контроль качества.
- Наличие сертификата ISO.

В составе нашей компании организован Конструкторский отдел, призванный помогать разработчикам, и инженерам.

Конструкторский отдел помогает осуществить:

- Регистрацию проекта у производителя компонентов.
- Техническую поддержку проекта.
- Защиту от снятия компонента с производства.
- Оценку стоимости проекта по компонентам.
- Изготовление тестовой платы монтаж и пусконаладочные работы.



Тел: +7 (812) 336 43 04 (многоканальный)

Email: org@lifeelectronics.ru