

Control Integrated POver System (CIPOS™)

IFCM30U65GD

Datasheet

Table of contents

| | |
|-----------------------------------------------------------|-----------|
| Table of contents | 2 |
| CIPOS™ Control Integrated POver System | 3 |
| Features | 3 |
| Target Applications..... | 3 |
| Description | 3 |
| System Configuration | 3 |
| Pin Configuration..... | 4 |
| Internal Electrical Schematic..... | 4 |
| Pin Assignment | 5 |
| Pin Description | 5 |
| LIN(X, Y, Z) (IGBT control pins, Pin 7, 8, 9) | 5 |
| VFO (Fault-output, Pin 12) | 6 |
| NTC (Thermistor, Pin 15) | 6 |
| ITRIP (Over current detection function, Pin 13)..... | 6 |
| VDD, VSS (Control supply and reference, Pin 11, 14) | 6 |
| NX, NY, NZ (IGBT emitter, Pin 17, 19, 21) | 6 |
| X, Y, Z (IGBT collector, Pin 18, 20, 22) | 6 |
| P (Positive output voltage, Pin 23) | 6 |
| Absolute Maximum Ratings | 7 |
| Module Section | 7 |
| Power Section | 7 |
| Control Section | 8 |
| Recommended Operation Conditions | 8 |
| Static Parameters | 9 |
| Dynamic Parameters | 10 |
| Thermistor | 11 |
| Mechanical Characteristics and Ratings | 11 |
| Electrical characteristic | 14 |
| Package Outline..... | 15 |
| Revision history | 16 |

CIPOS™

Control Integrated POver System

Dual In-Line Intelligent Power Module

Three Phase Interleaved PFC 650V / 30A

Features

Dual In-Line molded module

- TRENCHSTOP™ 5
- Rapid switching emitter controlled diode
- Rugged SOI gate driver technology with stability against transient
- Over current shutdown
- Under-voltage lockout
- All of 3 switches turn off during protection
- Temperature monitor
- Emitter pins accessible for all phase current monitoring (open emitter)
- Lead-free terminal plating; RoHS compliant
- Very low thermal resistance due to DCB

Target Applications

- 3-Phase Interleaved PFC

Description

The CIPOS™ module family offers the chance for integrating various power and control components to increase reliability, optimize PCB size and system costs.

It is designed to enhance the system efficiency by improvement of power factor. The package concept is specially adapted to power applications, which need good thermal conduction and electrical isolation, but also EMI-save control and overload protection.

TRENCHSTOP™ 5 are combined with an optimized SOI gate driver for excellent electrical performance.

System Configuration

- 3-Phase Interleaved PFC with TRENCHSTOP™ 5 and Rapid switching emitter controlled diode
- SOI gate driver
- Thermistor
- Pin-to-heatsink clearance distance typ. 1.6mm

Pin Configuration

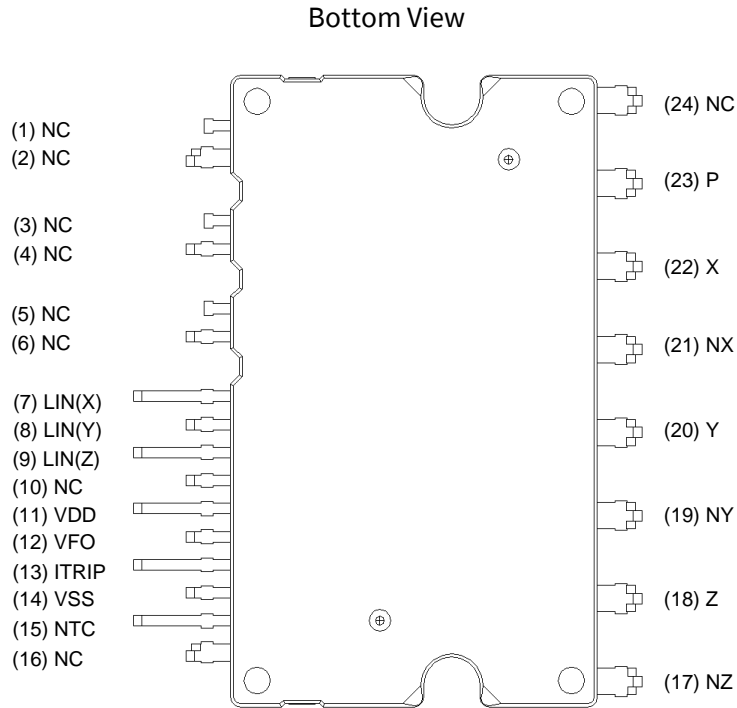


Figure 1 Pin configuration

Internal Electrical Schematic

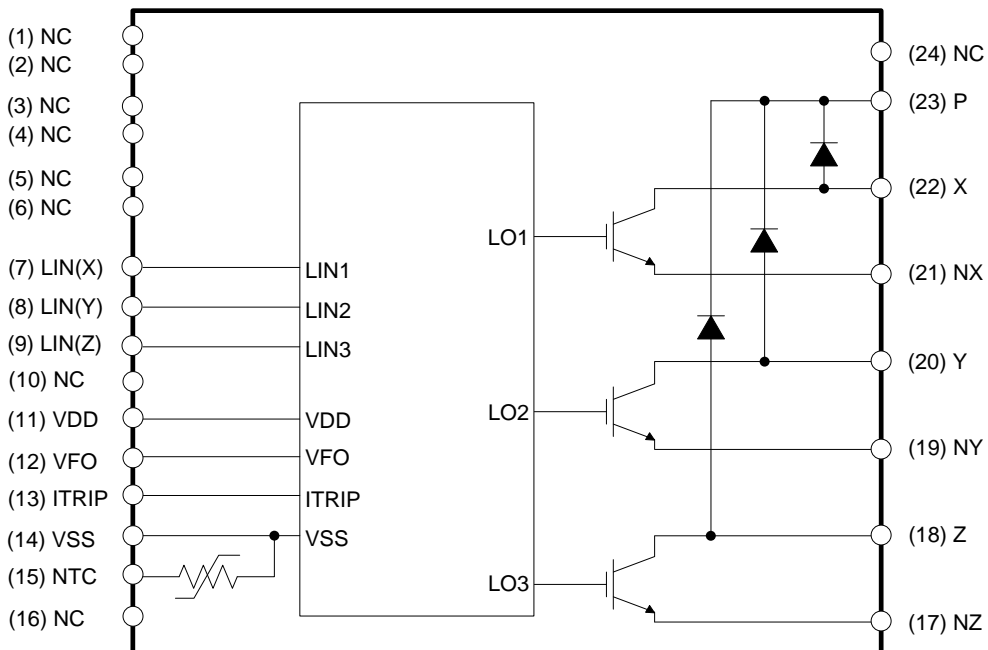


Figure 2 Internal schematic

Pin Assignment

| Pin Number | Pin Name | Pin Description |
|------------|----------|--------------------------------|
| 1 | NC | No Connection |
| 2 | NC | No Connection |
| 3 | NC | No Connection |
| 4 | NC | No Connection |
| 5 | NC | No Connection |
| 6 | NC | No Connection |
| 7 | LIN(X) | X phase IGBT gate driver input |
| 8 | LIN(Y) | Y phase IGBT gate driver input |
| 9 | LIN(Z) | Z phase IGBT gate driver input |
| 10 | NC | No Connection |
| 11 | VDD | Control supply |
| 12 | VFO | Fault output |
| 13 | ITRIP | Over current shutdown input |
| 14 | VSS | Control negative supply |
| 15 | NTC | Thermistor |
| 16 | NC | No Connection |
| 17 | NZ | Z phase IGBT emitter |
| 18 | Z | Z phase IGBT collector |
| 19 | NY | Y phase IGBT emitter |
| 20 | Y | Y phase IGBT collector |
| 21 | NX | X phase IGBT emitter |
| 22 | X | X phase IGBT collector |
| 23 | P | Positive output voltage |
| 24 | NC | No Connection |

Pin Description

LIN(X, Y, Z) (IGBT control pins, Pin 7, 8, 9)

These pins are positive logic and they are responsible for the control of the integrated IGBT. The Schmitt-trigger input thresholds of them are such to guarantee LSTTL and CMOS compatibility down to 3.3V controller outputs. Pull-down resistor of about 5kΩ is internally provided to pre-bias inputs during supply start-up and a zener clamp is provided for pin protection purposes. Input Schmitt-trigger and noise filter provide beneficial noise rejection to short input pulses.

The noise filter suppresses control pulses which are below the filter time t_{FILIN} . The filter acts according to Figure 4.

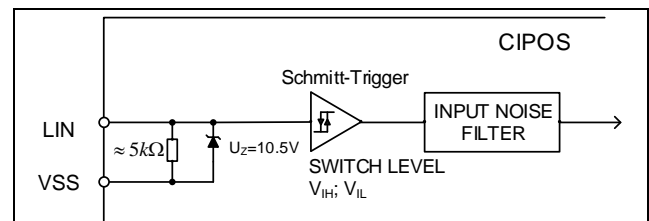


Figure 3 Input pin structure

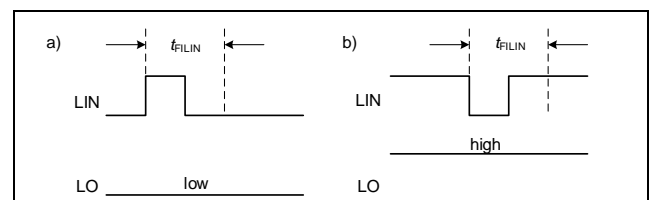


Figure 4 Input filter timing diagram

It is recommended for proper work of this product not to provide input pulse-width lower than 1µs.

VFO (Fault-output, Pin 12)

The VFO pin indicates a module failure in case of under voltage at pin VDD or in case of triggered over current detection at ITRIP.

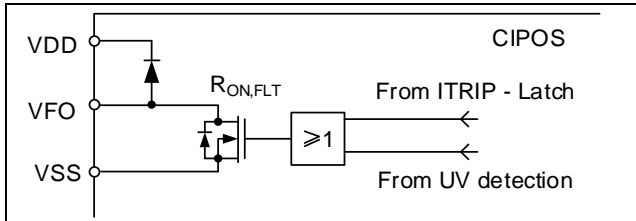


Figure 5 Internal circuit at pin VFO

NTC (Thermistor, Pin 15)

The NTC pin provides direct access to thermistor, which is referenced to VSS. An external pull-up resistor connected to +5V ensures that the resulting voltage can be directly connected to the microcontroller.

ITRIP (Over current detection function, Pin 13)

CIPOS™ provides an over current detection function by connecting the ITRIP input with the IGBT collector current feedback. The ITRIP comparator threshold (typ. 0.47V) is referenced to VSS ground. An input noise filter (typ.: $t_{ITRIPMIN} = 530ns$) prevents the driver to detect false over-current events.

Over current detection generates a shutdown of all outputs of the gate driver after the shutdown propagation delay of typically 1000ns.

VDD, VSS (Control supply and reference, Pin 11, 14)

VDD is the control supply and it provides power both to input logic and to output power stage. Input logic is referenced to VSS ground.

The under-voltage circuit enables the device to operate at power on when a supply voltage of at least a typical voltage of $VDD_{UV+} = 12.1V$ is present.

The IC shuts down all the gate drivers power outputs, when the VDD supply voltage is below $VDD_{UV-} = 10.4V$. This prevents the external power switches from critically low gate voltage levels during on-state and therefore from excessive power dissipation.

NX, NY, NZ (IGBT emitter, Pin 17, 19, 21)

The IGBT emitters are available for current measurements of each phase. It is recommended to keep the connection to pin VSS as short as possible in order to avoid unnecessary inductive voltage drops.

X, Y, Z (IGBT collector, Pin 18, 20, 22)

These pins are IGBT collector. It is mandatory to connect anti-parallel diode between IGBT collector and emitter.

P (Positive output voltage, Pin 23)

The diode cathodes are connected to the output voltage. It is noted that the voltage does not exceed 450 V.

Absolute Maximum Ratings

($V_{DD} = 15V$ and $T_j = 25^\circ C$, if not stated otherwise)

Module Section

| Description | Condition | Symbol | Value | | Unit |
|----------------------------------|--------------------------|------------|-------|-----|------------|
| | | | min | max | |
| Storage temperature range | | T_{stg} | -40 | 125 | $^\circ C$ |
| Isolation test voltage | RMS, $f=60Hz$, $t=1min$ | V_{ISOL} | 2000 | - | V |
| Operating case temperature range | Refer to Figure 6 | T_C | -40 | 125 | $^\circ C$ |

Power Section

| Description | Condition | Symbol | Value | | Unit |
|------------------------------------------------|------------------------------------------------------------------------------|-----------------|-------|----------|------------|
| | | | min | max | |
| DC link output voltage of P-N | Applied between P-N | V_{PN} | - | 450 | V |
| DC link output voltage (surge) of P-N | Applied between P-N | $V_{PN(surge)}$ | - | 500 | V |
| Max. blocking voltage | $I_C = 250\mu A$ | V_{CES} | 650 | - | V |
| Repetitive peak reverse voltage | $I_R = 250\mu A$ | V_{RRM} | 650 | - | V |
| Input RMS current of each phase | $T_J \leq 150^\circ C$, $T_C = 25^\circ C$ $T_C = 80^\circ C$ | I_i | - | 30 20 | A |
| Maximum peak input current of each phase | $T_J \leq 150^\circ C$, $T_C = 25^\circ C$ less than 1ms, non-repetitive | $I_{i(peak)}$ | - | 80 | A |
| Power dissipation of each IGBT | | P_{tot} | - | 60.4 | W |
| Operating junction temperature range | | T_J | -40 | 150 | $^\circ C$ |
| Single IGBT thermal resistance, junction-case | | R_{thJC} | - | 2.07 | K/W |
| Single diode thermal resistance, junction-case | | R_{thJCD} | - | 2.77 | K/W |

Control Section

| Description | Condition | Symbol | Value | | Unit |
|-----------------------|------------|-------------------------|----------|-----|------|
| | | | min | max | |
| Module supply voltage | | V_{DD} | -1 | 20 | V |
| Input voltage | LIN, ITRIP | V_{IN} V_{ITRIP} | -1 -1 | 10 | V |
| Switching frequency | | f_{PWM} | - | 60 | kHz |

Recommended Operation Conditions

All voltages are absolute voltages referenced to V_{SS} -potential unless otherwise specified.

| Description | Symbol | Value | | | Unit |
|-----------------------------------|-------------------------|--------|-----|--------|------------|
| | | min | typ | max | |
| DC link output voltage of P-N | V_{PN} | 0 | - | 450 | V |
| Control supply voltage | V_{DD} | 13.5 | 15 | 16.5 | V |
| Control supply variation | ΔV_{DD} | -1 | - | 1 | V/ μ s |
| Logic input voltages LIN,ITRIP | V_{IN} V_{ITRIP} | 0 0 | - | 5 5 | V |
| Between VSS - N (including surge) | V_{SS} | -5 | - | 5 | V |

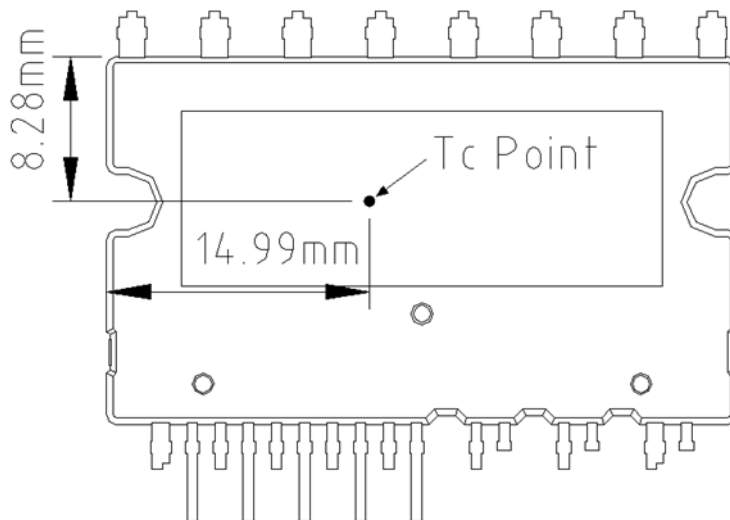


Figure 6 T_c measurement point¹

¹Any measurement except for the specified point in figure 6 is not relevant for the temperature verification and brings wrong or different information.

Static Parameters

($V_{DD} = 15V$ and $T_j = 25^\circ C$, if not stated otherwise)

| Description | Condition | Symbol | Value | | | Unit |
|---------------------------------------------------|----------------------------------------------------|----------------|--------|--------------|----------|---------|
| | | | min | typ | max | |
| Collector-Emitter saturation voltage | $I_C = 20A$ $T_J = 25^\circ C$ $150^\circ C$ | $V_{CE(sat)}$ | - - | 1.75 1.95 | 2.3 - | V |
| Diode forward voltage | $I_F = 20A$ $T_J = 25^\circ C$ $150^\circ C$ | V_F | - - | 1.45 1.4 | 2.0 - | V |
| Collector-Emitter leakage current | $V_{CE} = 650V$ | I_{CES} | - | - | 1 | mA |
| Diode reverse leakage current | $V_R = 650V$ | I_R | - | - | 1 | mA |
| Logic "1" input voltage (LIN) | | V_{IH} | - | 2.1 | 2.5 | V |
| Logic "0" input voltage (LIN) | | V_{IL} | 0.7 | 0.9 | - | V |
| ITRIP positive going threshold | | $V_{IT,TH+}$ | 400 | 470 | 540 | mV |
| ITRIP input hysteresis | | $V_{IT,HYS}$ | 40 | 70 | - | mV |
| VDD supply under voltage positive going threshold | | $V_{DD_{UV+}}$ | 10.8 | 12.1 | 13.0 | V |
| VDD supply under voltage negative going threshold | | $V_{DD_{UV-}}$ | 9.5 | 10.4 | 11.2 | V |
| VDD supply under voltage lockout hysteresis | | $V_{DD_{UVH}}$ | 1.0 | 1.7 | - | V |
| Quiescent VDD supply current | $V_{IN} = 0V$ | I_{QDD} | - | 370 | 900 | μA |
| Input bias current | $V_{IN} = 5V$ | I_{IN+} | - | 1 | 1.5 | mA |
| Input bias current | $V_{IN} = 0V$ | I_{IN-} | - | 2 | - | μA |
| ITRIP input bias current | $V_{ITRIP} = 5V$ | I_{ITRIP+} | - | 65 | 150 | μA |
| VFO input bias current | $VFO = 5V, V_{ITRIP} = 0V$ | I_{FO} | - | 2 | - | nA |
| VFO output voltage | $I_{FO} = 10mA, V_{ITRIP} = 1V$ | V_{FO} | - | 0.5 | - | V |

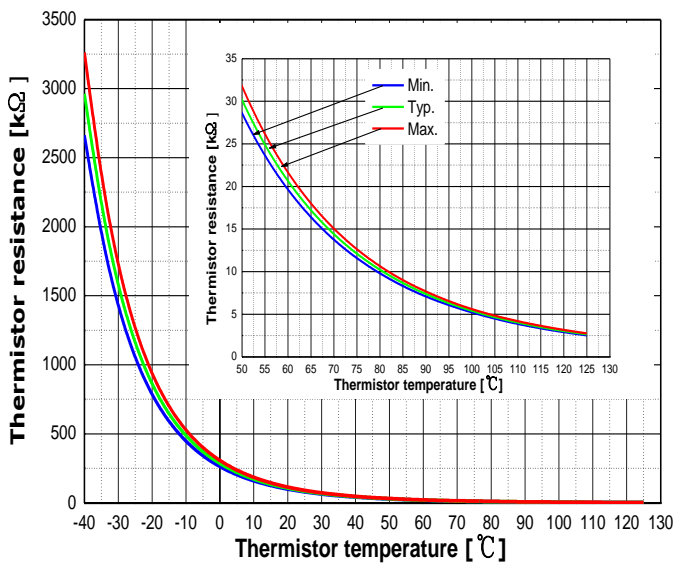
Dynamic Parameters

($V_{DD} = 15V$ and $T_j = 25^\circ C$, if not stated otherwise)

| Description | Condition | Symbol | Value | | | Unit |
|----------------------------------------------------------|-------------------------------------------------------------------|----------------|-------|-----|-----|---------|
| | | | min | typ | max | |
| Turn-on propagation delay time | $V_{LIN} = 5V,$ $I_C = 20A,$ $V_{DC} = 400V$ | t_{on} | - | 610 | - | ns |
| Turn-on rise time | | t_r | - | 25 | - | ns |
| Turn-on switching time | | $t_{c(on)}$ | - | 115 | - | ns |
| Reverse recovery time | | t_{rr} | - | 90 | - | ns |
| Turn-off propagation delay time | $V_{LIN} = 0V,$ $I_C = 20A,$ $V_{DC} = 400V$ | t_{off} | - | 700 | - | ns |
| Turn-off fall time | | t_f | - | 15 | - | ns |
| Turn-off switching time | | $t_{c(off)}$ | - | 30 | - | ns |
| Input filter time ITRIP | $V_{ITRIP} = 1V$ | $t_{ITRIPmin}$ | - | 530 | - | ns |
| Input filter time at LIN for turn on and off | $V_{LIN} = 0V \& 5V$ | t_{FILIN} | - | 290 | - | ns |
| Fault clear time after ITRIP-fault | $V_{ITRIP} = 1V$ | t_{FLTCLR} | 40 | - | - | μs |
| IGBT turn-on energy (includes reverse recovery of diode) | $V_{DC} = 400V, I_C = 20A$ $T_J = 25^\circ C$ $150^\circ C$ | E_{on} | - | 550 | - | μJ |
| | | | - | 705 | - | |
| IGBT turn-off energy | $V_{DC} = 400V, I_C = 20A$ $T_J = 25^\circ C$ $150^\circ C$ | E_{off} | - | 95 | - | μJ |
| | | | - | 125 | - | |
| Diode recovery energy | $V_{DC} = 400V, I_C = 20A$ $T_J = 25^\circ C$ $150^\circ C$ | E_{rec} | - | 80 | - | μJ |
| | | | - | 120 | - | |

Thermistor

| Description | Condition | Symbol | Value | | | Unit |
|---------------------------------------------------------|--------------------------------|-------------|-------|------|-----|------------------|
| | | | min | typ | max | |
| Resistor | $T_{NTC} = 25^{\circ}\text{C}$ | R_{NTC} | - | 85 | - | $\text{k}\Omega$ |
| B-constant of NTC (Negative Temperature Coefficient) | | $B(25/100)$ | - | 4092 | - | K |



| T [°C] | Rmin. [kΩ] | Rtyp. [kΩ] | Rmax. [kΩ] |
|--------|------------|------------|------------|
| 50 | 28.400 | 29.972 | 31.545 |
| 60 | 19.517 | 20.515 | 21.514 |
| 70 | 13.670 | 14.315 | 14.960 |
| 80 | 9.745 | 10.169 | 10.593 |
| 90 | 7.062 | 7.345 | 7.628 |
| 100 | 5.199 | 5.388 | 5.576 |
| 110 | 3.856 | 4.009 | 4.163 |
| 120 | 2.900 | 3.024 | 3.149 |
| 125 | 2.527 | 2.639 | 2.751 |

Figure 7 Thermistor resistance – temperature curve and table

(For more information, please refer to the application note ‘AN CIPOS™-Mini 1 Technical description’)

Mechanical Characteristics and Ratings

| Description | Condition | Value | | | Unit |
|-----------------|---------------------|-------|------|------|---------------|
| | | min | typ | max | |
| Mounting torque | M3 screw and washer | 0.49 | - | 0.78 | Nm |
| Flatness | Refer to Figure 8 | -50 | - | 100 | μm |
| Weight | | - | 6.58 | - | g |

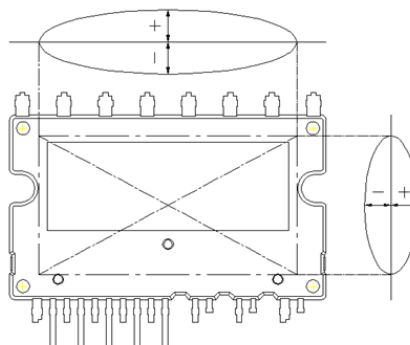


Figure 8 Flatness measurement position

Circuit of a Typical Application

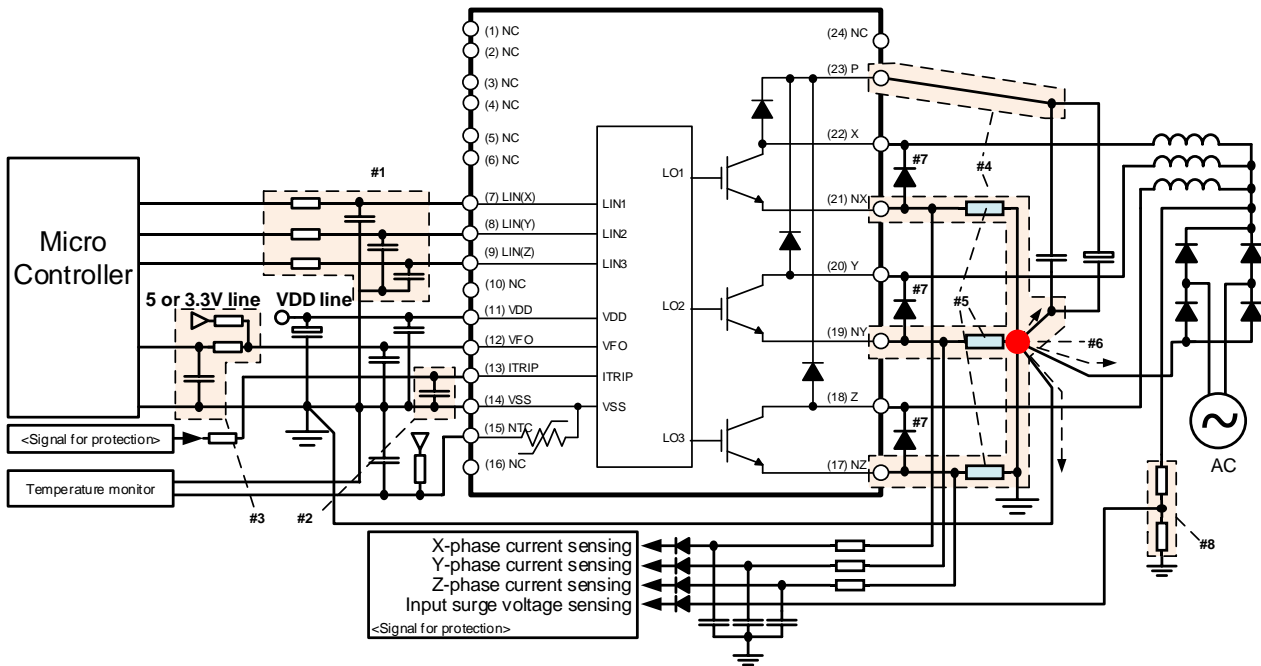


Figure 9 Typical application circuit

Because CIPOS™ Mini PFC has very high speed switching characteristics, considerable large surge voltage between P and N terminals and switching noise on signaling path are generated easily. Please pay attention to the below items for optimized application circuit design.

1. Input circuit

- To reduce input signal noise by high speed switching, the R_{IN} and C_{IN} filter circuit should be mounted. (100Ω, 1nF)
- C_{IN} should be placed as close to V_{SS} pin as possible.

2. Itrip circuit

- To prevent protection function errors, C_{ITRIP} should be placed as close to Itrip and V_{SS} pins as possible.

3. VFO circuit

- VFO output is an open drain output. This signal line should be pulled up to the positive side of the 5V/3.3V logic power supply with a proper resistor R_{PU} . It is recommended that RC filter be placed as close to the controller as possible.

4. Snubber capacitor

- The wiring between CIPOS™ Mini PFC and snubber capacitor including shunt resistor should be as short as possible.

5. Shunt resistor

- The shunt resistor of SMD type should be used for reducing its stray inductance.

6. Ground pattern

- Ground pattern should be separated at only one point of shunt resistor as short as possible.

7. It is mandatory to connect anti-parallel diode (2A, voltage rating higher than 650V) to PFC IGBT.

8. Input surge voltage protection circuit

- This protection circuit is necessary for PFC IGBT to be protected from excessive surge voltage.

Switching Times Definition

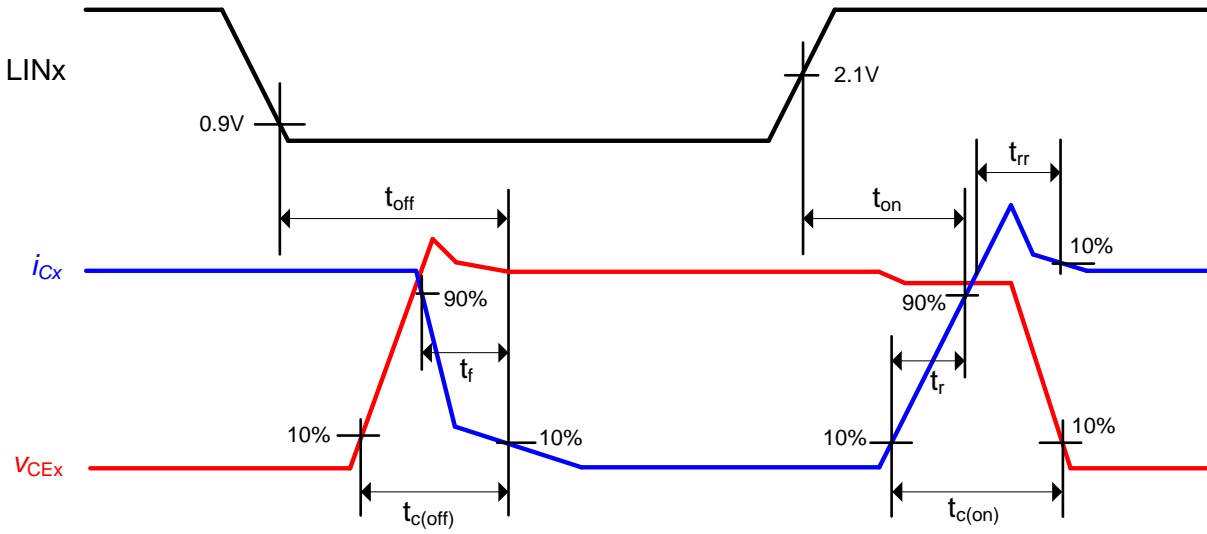
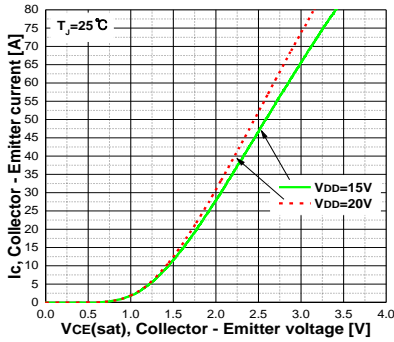
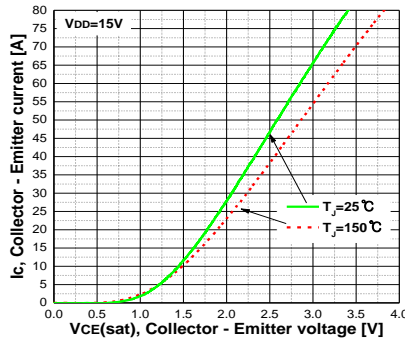


Figure 10 Switching times definition

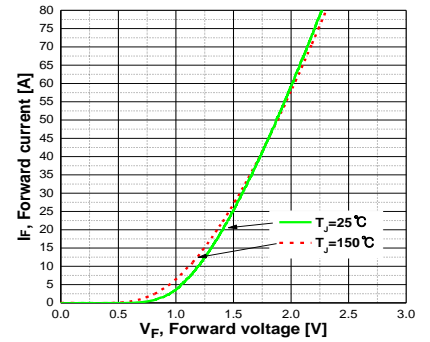
Electrical characteristic



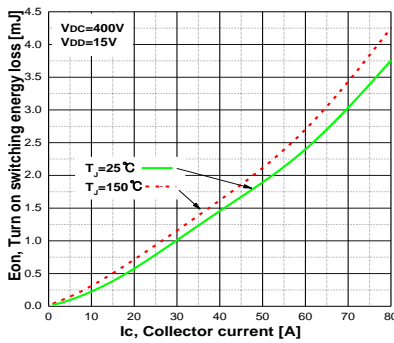
Typ. Collector - Emitter saturation voltage



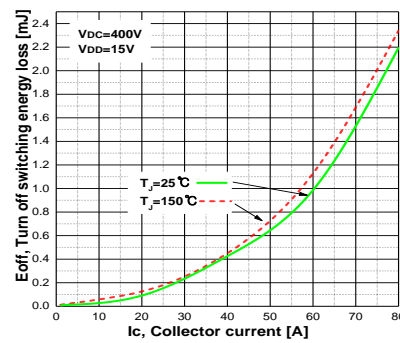
Typ. Collector - Emitter saturation voltage



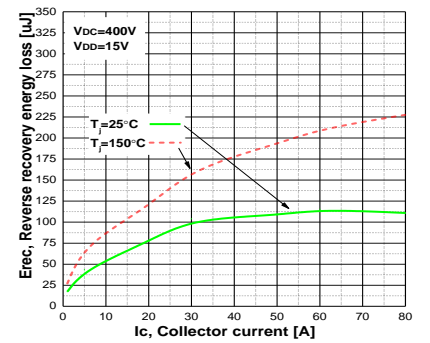
Typ. Diode forward voltage



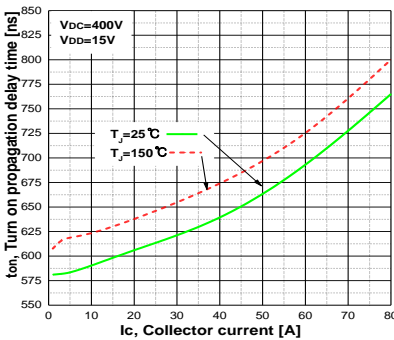
Typ. Turn on switching energy loss



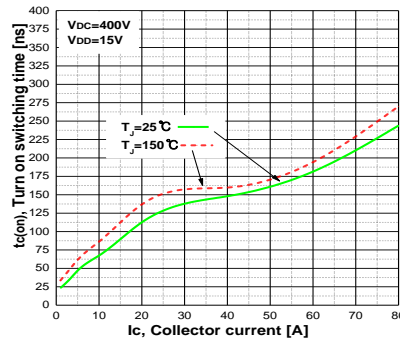
Typ. Turn off switching energy loss



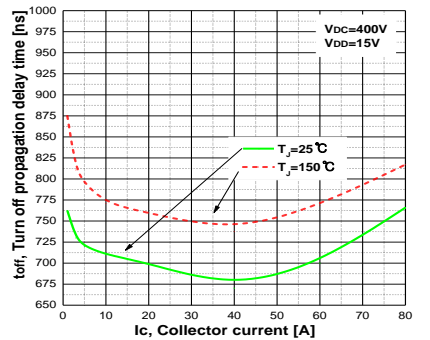
Typ. Reverse recovery energy loss



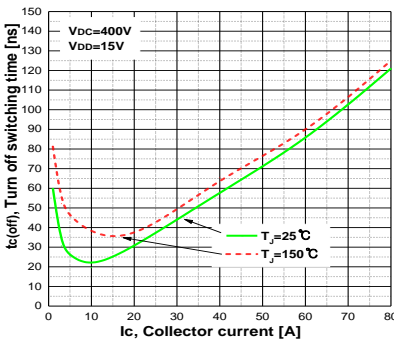
Typ. Turn on propagation delay time



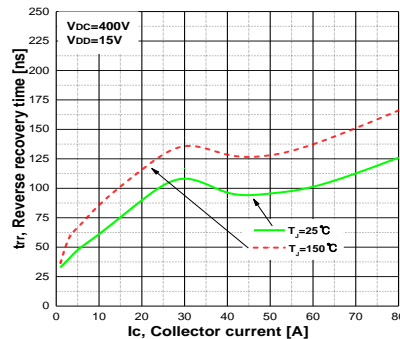
Typ. Turn on switching time



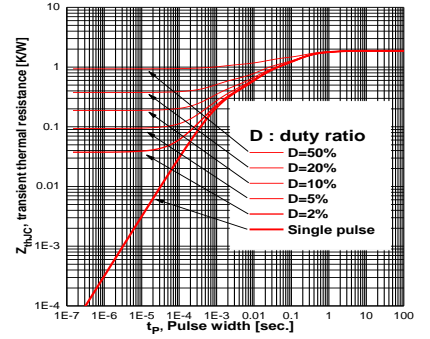
Typ. Turn off propagation delay time



Typ. Turn off switching time

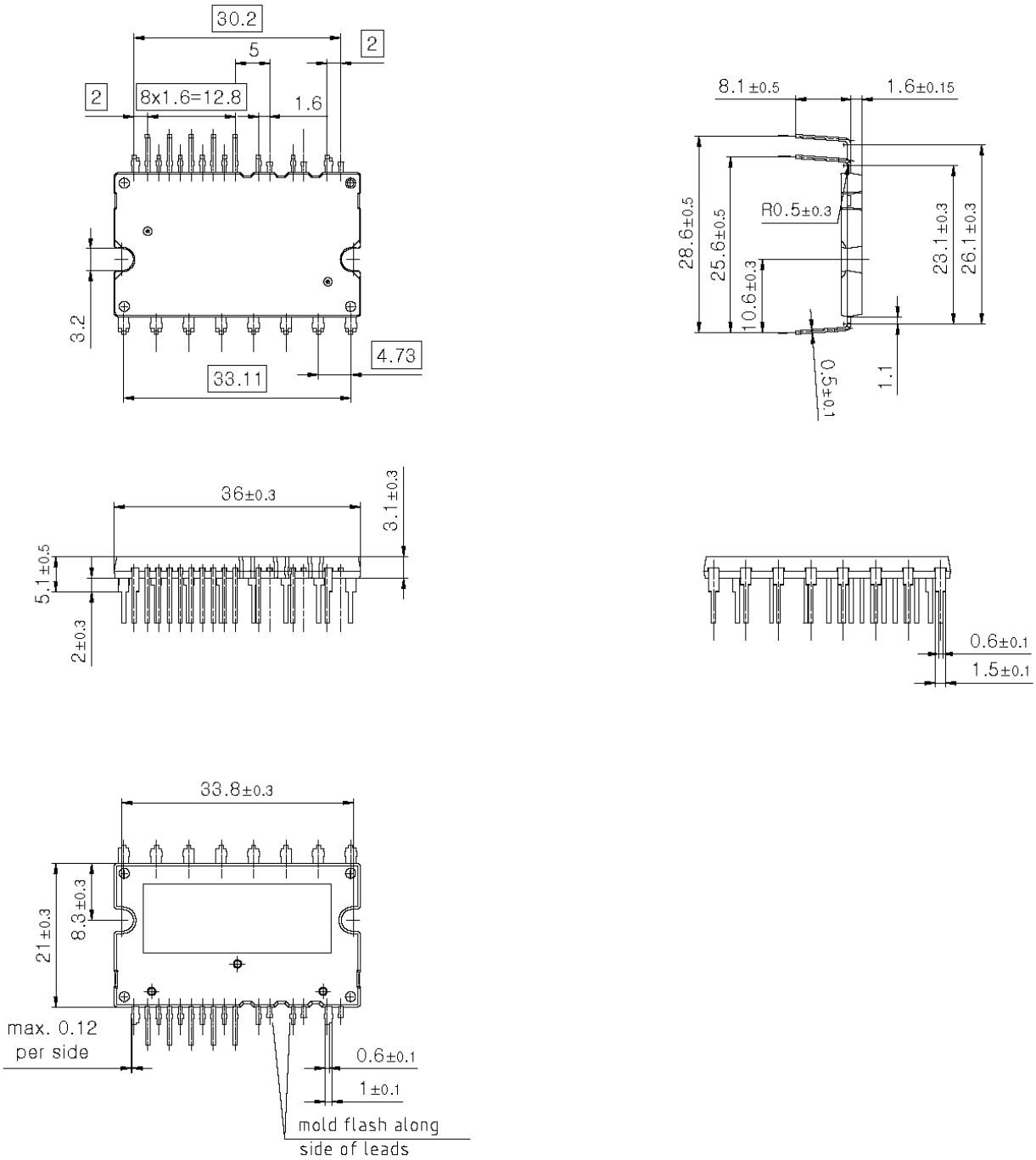


Typ. Reverse recovery time



IGBT transient thermal resistance at all IGBTs operation

Package Outline



Revision history

| Document version | Date of release | Description of changes |
|------------------|-----------------|------------------------------------------------------------|
| V 2.1 | Jun. 2017 | Package outline update |
| V 2.2 | Sep. 2017 | Maximum operating case temperature, T _c = 125°C |
| | | |

Trademarks

All referenced product or service names and trademarks are the property of their respective owners.

Edition 2017-09-06

Published by

Infineon Technologies AG

81726 München, Germany

© 2017 Infineon Technologies AG.

All Rights Reserved.

Do you have a question about this document?

Email: erratum@infineon.com

Document reference

ifx1

IMPORTANT NOTICE

The information given in this document shall in no event be regarded as a guarantee of conditions or characteristics ("Beschaffenheitsgarantie").

With respect to any examples, hints or any typical values stated herein and/or any information regarding the application of the product, Infineon Technologies hereby disclaims any and all warranties and liabilities of any kind, including without limitation warranties of non-infringement of intellectual property rights of any third party.

In addition, any information given in this document is subject to customer's compliance with its obligations stated in this document and any applicable legal requirements, norms and standards concerning customer's products and any use of the product of Infineon Technologies in customer's applications.

The data contained in this document is exclusively intended for technically trained staff. It is the responsibility of customer's technical departments to evaluate the suitability of the product for the intended application and the completeness of the product information given in this document with respect to such application.

For further information on the product, technology, delivery terms and conditions and prices please contact your nearest Infineon Technologies office (www.infineon.com).

Please note that this product is not qualified according to the AEC Q100 or AEC Q101 documents of the Automotive Electronics Council.

WARNINGS

Due to technical requirements products may contain dangerous substances. For information on the types in question please contact your nearest Infineon Technologies office.

Except as otherwise explicitly approved by Infineon Technologies in a written document signed by authorized representatives of Infineon Technologies, Infineon Technologies' products may not be used in any applications where a failure of the product or any consequences of the use thereof can reasonably be expected to result in personal injury.

Компания «Life Electronics» занимается поставками электронных компонентов импортного и отечественного производства от производителей и со складов крупных дистрибьюторов Европы, Америки и Азии.

С конца 2013 года компания активно расширяет линейку поставок компонентов по направлению коаксиальный кабель, кварцевые генераторы и конденсаторы (керамические, пленочные, электролитические), за счёт заключения дистрибьюторских договоров

Мы предлагаем:

- Конкуренеспособные цены и скидки постоянным клиентам.
- Специальные условия для постоянных клиентов.
- Подбор аналогов.
- Поставку компонентов в любых объемах, удовлетворяющих вашим потребностям.
- Приемлемые сроки поставки, возможна ускоренная поставка.
- Доставку товара в любую точку России и стран СНГ.
- Комплексную поставку.
- Работу по проектам и поставку образцов.
- Формирование склада под заказчика.
- Сертификаты соответствия на поставляемую продукцию (по желанию клиента).
- Тестирование поставляемой продукции.
- Поставку компонентов, требующих военную и космическую приемку.
- Входной контроль качества.
- Наличие сертификата ISO.

В составе нашей компании организован Конструкторский отдел, призванный помогать разработчикам, и инженерам.

Конструкторский отдел помогает осуществить:

- Регистрацию проекта у производителя компонентов.
- Техническую поддержку проекта.
- Защиту от снятия компонента с производства.
- Оценку стоимости проекта по компонентам.
- Изготовление тестовой платы монтаж и пусконаладочные работы.



Тел: +7 (812) 336 43 04 (многоканальный)

Email: org@lifeelectronics.ru