

2.5" SATA SSD 840

Datasheet

(SQF-S25x-xxx-SCx)

CONTENTS

| | |
|---|-----------|
| Safety Instructions | 4 |
| Consignes de sécurité | 4 |
| 1. Overview | 6 |
| 2. Features | 7 |
| 3. Specification Table | 8 |
| 4. General Description | 10 |
| 5. Security Features | 13 |
| 6. Pin Assignment and Description | 14 |
| 6.1 2.5" SATA-SSD Interface Pin Assignments (Signal Segment) | 14 |
| 6.2 2.5" SATA-SSD Interface Pin Assignments (Power Segment)..... | 14 |
| 6.3 Hardware Quick Erase / Write Protect (Optional, either one support only)..... | 15 |
| 7. Identify Device Data | 16 |
| 8. ATA Command Set | 19 |
| 9. System Power Consumption | 26 |
| 9.1 Supply Voltage | 26 |
| 9.2 Power Consumption | 26 |
| 10. Physical Dimension..... | 27 |
| Appendix: Part Number Table | 28 |

Revision History

| Rev. | Date | History |
|------|------------|--|
| 0.1 | 2018/5/16 | 1. Preliminary |
| 0.2 | 2018/8/22 | 1. Update PN information |
| 0.3 | 2018/10/31 | 1. Update TBW information |
| 0.4 | 2018/12/14 | 1. Update Security Features section and TBW |
| 0.5 | 2019/2/25 | 1. Update performance information 2. Update power consumption information |
| 0.6 | 2019/5/10 | 1. Added performance information |
| 0.7 | 2019/5/16 | 1. Update H/W write protect description |
| 0.8 | 2019/10/2 | 1. Update performance, consumption information |
| 0.9 | 2019/10/09 | 1. Update 120GB performance and power consumption 2. Update 240GB performance and power consumption 3. Update ordering P/N |
| 1.0 | 2019/10/15 | 1. Update Identify Device Data for 120GB |
| 1.1 | 2019/12/12 | 1. Remove 120GB solution |
| 1.2 | 2020/5/4 | 1. Added TBW, DWPD information |
| 1.3 | 2020/6/22 | 1. Added TBW, DWPD informaiton |
| | | |

Advantech reserves the right to make changes without further notice to any products or data herein to improve reliability, function, or design. Information furnished by Advantech is believed to be accurate and reliable. However, Advantech does not assure any liability arising out of the application or use of this information, nor the application or use of any product or circuit described herein, neither does it convey any license under its patent rights nor the rights of others.

Copyright © 1983-2020 Advantech Co., Ltd. All rights reserved.

Safety Instructions

1. Read these safety instructions carefully.
2. Keep this User Manual for later reference.
3. Disconnect this equipment from any AC outlet before cleaning. Use a damp cloth. Do not use liquid or spray detergents for cleaning.
4. For plug-in equipment, the power outlet socket must be located near the equipment and must be easily accessible.
5. Keep this equipment away from humidity.
6. Put this equipment on a reliable surface during installation. Dropping it or letting it fall may cause damage.
7. The openings on the enclosure are for air convection. Protect the equipment from overheating. **DO NOT COVER THE OPENINGS.**
8. Make sure the voltage of the power source is correct before connecting the equipment to the power outlet.
9. Position the power cord so that people cannot step on it. Do not place anything over the power cord.
10. All cautions and warnings on the equipment should be noted.
11. If the equipment is not used for a long time, disconnect it from the power source to avoid damage by transient overvoltage.
12. Never pour any liquid into an opening. This may cause fire or electrical shock.
13. Never open the equipment. For safety reasons, the equipment should be opened only by qualified service personnel.
14. If one of the following situations arises, get the equipment checked by service personnel:
 - The power cord or plug is damaged.
 - Liquid has penetrated the equipment.
 - The equipment has been exposed to moisture.
 - The equipment does not work well, or you cannot get it to work according to the user's manual.
 - The equipment has been dropped and damaged.
 - The equipment has obvious signs of breakage.
15. **DO NOT LEAVE THIS EQUIPMENT IN AN ENVIRONMENT WHERE THE STORAGE TEMPERATURE MAY GO BELOW -20° C (-4° F) OR ABOVE 60° C (140° F). THIS COULD DAMAGE THE EQUIPMENT. THE EQUIPMENT SHOULD BE IN A CONTROLLED ENVIRONMENT.**
16. **CAUTION: DANGER OF EXPLOSION IF BATTERY IS INCORRECTLY REPLACED. REPLACE ONLY WITH THE SAME OR EQUIVALENT TYPE RECOMMENDED BY THE MANUFACTURER, DISCARD USED BATTERIES ACCORDING TO THE MANUFACTURER'S INSTRUCTIONS.**

Consignes de sécurité

1. Lisez attentivement ces instructions de sécurité.
2. Conservez ce manuel pour référence ultérieure.
3. Débranchez cet appareil de toute prise secteur avant le nettoyage. Utilisez un chiffon humide. Ne pas utiliser de détergents liquides ou en aérosol pour le nettoyage
4. Pour les équipements enfichables, la prise de courant doit être située près de l'équipement et doit être facilement accessible.
5. Gardez cet équipement à l'abri de l'humidité.
6. Placez cet équipement sur une surface fiable lors de l'installation. Le laisser tomber ou le laisser tomber peut causer des dommages.
7. Les ouvertures sur l'enceinte sont destinées à la convection de l'air. Protégez l'équipement de la surchauffe. **NE COUVREZ PAS LES OUVERTURES.**
8. Assurez-vous que la tension de la source d'alimentation est correcte avant de connecter l'équipement à la prise de courant.
9. Positionnez le cordon d'alimentation de sorte que personne ne puisse marcher dessus. Ne placez rien sur le cordon d'alimentation.
10. Toutes les mises en garde et avertissements sur l'équipement doivent être notés..
11. Si l'appareil n'est pas utilisé pendant une longue période, débranchez-le de la source d'alimentation pour éviter tout dommage dû à une surtension transitoire.
12. Ne jamais verser de liquide dans une ouverture. Cela pourrait provoquer un incendie ou un choc électrique.
13. N'ouvrez jamais l'équipement. Pour des raisons de sécurité, l'équipement ne doit être ouvert que par du personnel qualifié.
14. Si l'une des situations suivantes se produit, faites vérifier l'équipement par le personnel de service:!
 - Le cordon d'alimentation ou la fiche est endommagé Liquid has penetrated the equipment.
 - L'équipement a été exposé à l'humidité.
 - L'équipement ne fonctionne pas bien ou vous ne pouvez pas le faire fonctionner conformément au manuel d'utilisation..
 - L'équipement est tombé et endommagé..
 - L'équipement présente des signes évidents de rupture.
15. **NE PAS LAISSER CET APPAREIL DANS UN ENVIRONNEMENT O LA TEMPÉRATURE DE STOCKAGE PEUT ÊTRE INFÉRIEURE À -20 ° C (-4 ° F) OU SUPÉRIEURE À 60 ° C (140 ° F). CELA POURRAIT ENDOMMAGER L'ÉQUIPEMENT. L'ÉQUIPEMENT DOIT ÊTRE DANS UN ENVIRONNEMENT CONTRÔLÉ.**
16. **ATTENTION: DANGER D'EXPLOSION EN CAS DE REMPLACEMENT INCORRECT DE LA PILE. REMPLACEZ UNIQUEMENT AVEC LE MÊME TYPE OU LE TYPE ÉQUIVALENT RECOMMANDÉ PAR LE FABRICANT, DÉJETTEZ LES PILES UTILISÉES SELON LES**

Specifications subject to change without notice, contact your sales representatives for the most update information.

INSTRUCTIONS DU FABRICANT.

1. Overview

Advantech SQFlash 840 series 2.5" SATA-SSD (SQF-S25 840) delivers all the advantages of Flash Disk technology with the Serial ATA III (6.0Gb) interface, fully compliant with standard 2.5-inch form factor. The SATA SSD is based on a standard SATA 7-pin interface for data segment and 15-pin for power segment, designed to operate at a maximum operating frequency of 300MHz with 30MHz external crystal. Its capacity could provide a wide range up to 8TB. Moreover, it can reach up to 550MB/s read and 530MB/s write high performance based on Toshiba 64-layer 3D TLC Flash.

2. Features

- **Standard SATA interface**
 - Support SATA 1.5/3.0/6.0 Gbps interface
 - SATA Revision 3.2 compliant
 - **Operating Voltage : 5V**
 - **Support LDPC with RAID ECC**
 - **TRIM 、 AHCI supported**
 - **AES256 and Hardware Quick Erase supported**
 - **Voltage Stabilizer supported (optional)**
 - **Temperature Ranges**
 - Commercial Temperature
 - 0°C to 70°C for operating¹
 - -40°C to 85°C for storage
 - Industrial Temperature
 - -40°C to 85°C for operating¹
 - -40°C to 85°C for storage
- *Note: 1. Based on SMART Attribute C2h, which measured by thermal sensor
- **Mechanical Specification**
 - Shock : 1,500G / 0.5ms
 - Vibration : 20G / 80~2,000Hz
 - **Humidity**
 - Humidity : 5% ~ 95% under 55°C
 - **Data Retention**
 - 10 years
 - **Acquired RoHS 、 WHQL 、 CE 、 FCC Certificate**
 - **Acoustic : 0 dB**
 - **Dimension : 100 mm x 69.85 mm x 7 mm**

3. Specification Table

■ Performance

| 3D TLC (BiCS3) | Sequential Performance (MB/sec) | | Random Performance (IOPS @4K) | |
|-------------------|------------------------------------|-------|-------------------------------|--------|
| | Read | Write | Read | Write |
| 240 GB | 559.1 | 326.8 | 87,465 | 83,743 |
| 480 GB | 557.9 | 511.1 | 73,811 | 66,586 |
| 960 GB | 560.2 | 533.5 | 95,316 | 69,934 |
| 1920 GB | 557.8 | 532.6 | 95,733 | 70,122 |
| 3840 GB | 559.6 | 526.9 | 79,433 | 70,817 |
| 7680 GB | 559.8 | 526.3 | 80,083 | 70,897 |

* All performance above are tested with AHCI mode.

* Tested by CrystalDiskMark 1GB workload.

■ Endurance

JEDEC defined an endurance rating TBW (TeraByte Written), following by the equation below, for indicating the number of terabytes a SSD can be written which is a measurement of SSDs' expected lifespan, represents the amount of data written to the device.

$$TBW = [(NAND\ Endurance) \times (SSD\ Capacity)] / WAF$$

- **NAND Endurance:** Program / Erase cycle of a NAND flash.
 - SLC: 100,000 cycles
 - Ultra MLC: 30,000 cycles
 - MLC: 3,000 cycles
 - 3D TLC (BiCS3): 3,000 cycles
- **SSD Capacity:** SSD physical capacity in total of a SSD.
- **WAF:** Write Amplification Factor (WAF), as the equation shown below, is a numerical value representing the ratio between the amount of data that a SSD controller needs to write and the amount of data that the host's flash controller writes. A better WAF, which is near to 1, guarantees better endurance and lower frequency of data written to flash memory.

$$WAF = (Lifetime\ write\ to\ flash) / (Lifetime\ write\ to\ host)$$

- **Endurance measurement is based on New JEDEC 218/ 219 Client Workload and verified with following workload conditions,**

- PreCond%full = 100%
- Trim commands enabled
- Random data pattern.

| 3D TLC (BiCS3) | WAF | TBW | DWPD* |
|----------------|------|-------|-------|
| 240 GB | 1.90 | 376 | 1.43 |
| 480 GB | 1.80 | 794 | 1.51 |
| 960 GB | 1.80 | 1580 | 1.50 |
| 1920 GB | 1.80 | 3118 | 1.48 |
| 3840 GB | 1.80 | 6114 | 1.45 |
| 7680 GB | 1.90 | 11751 | 1.40 |

* Endurance of 1 drive writes per day (DWPD) for 3 years

- **Pure sequential workload conditions, fio seq write, 30 loops, bs 128k, io depth 32 (Copy the pattern by VDbench)**

| 3D TLC (BiCS3) | WAF | TBW | DWPD* |
|----------------|------|-------|-------|
| 240 GB | 1.04 | 721 | 2.74 |
| 480 GB | 1.05 | 1429 | 2.72 |
| 960 GB | 1.05 | 2857 | 2.72 |
| 1920 GB | 1.05 | 5714 | 2.72 |
| 3840 GB | 1.08 | 11215 | 2.67 |
| 7680 GB | TBD | TBD | TBD |

* Endurance of 1 drive writes per day (DWPD) for 3 years

4. General Description

■ Error Correction Code (ECC)

Flash memory cells will deteriorate with use, which might generate random bit errors in the stored data. Thus, SQFlash 840 series SSD applies the LDPC with RAID ECC algorithm, which can detect and correct errors occur during read process, ensure data been read correctly, as well as protect data from corruption.

■ Wear Leveling

NAND flash devices can only undergo a limited number of program/erase cycles, and in most cases, the flash media are not used evenly. If some areas get updated more frequently than others, the lifetime of the device would be reduced significantly. Thus, Wear Leveling is applied to extend the lifespan of NAND Flash by evenly distributing write and erase cycles across the media.

SQFlash provides advanced Wear Leveling algorithm, which can efficiently spread out the flash usage through the whole flash media area. Moreover, by implementing both dynamic and static Wear Leveling algorithms, the life expectancy of the NAND flash is greatly improved.

■ Bad Block Management

Bad blocks are blocks that include one or more invalid bits, and their reliability is not guaranteed. Blocks that are identified and marked as bad by the manufacturer are referred to as "Initial Bad Blocks". Bad blocks that are developed during the lifespan of the flash are named "Later Bad Blocks". SQFlash implements an efficient bad block management algorithm to detect the factory-produced bad blocks and manages any bad blocks that appear with use. This practice further prevents data being stored into bad blocks and improves the data reliability.

■ Power Loss Protection

– Flush Manager

Power Loss Protection is a mechanism to prevent data loss during unexpected power failure. DRAM is a volatile memory and frequently used as temporary cache or buffer between the controller and the NAND flash to improve the SSD performance. However, one major concern of the DRAM is that it is not able to keep data during power failure. Accordingly, SQFlash SSD applies the Flush Manager technology, only when the data is fully committed to the NAND flash will the controller send acknowledgement (ACK) to the host. Such implementation can prevent false-positive performance and the risk of power cycling issues.

In addition, it is critical for a controller to shorten the time the in-flight data stays in the controller internal cache. Thus, SQFlash applies an algorithm to reduce the amount of data resides in the cache to provide a better performance. With Flush Manager, incoming data would only have a "pit stop" in the cache and then move to NAND flash directly. Also, the onboard DDR will be treated as an "organizer" to consolidate incoming data into groups before written into the flash to improve write amplification.

– Voltage Stabilizer (optional)

While the built-in voltage detector detects an unstable power input ($< 4.75\text{ V}$ or $> 5.25\text{ V}$), the controller will issue a power failure interrupt and force a Flush CMD first. At the same time, the whole internal power supply will be switched to Voltage Stabilizer immediately to ensure stable power is supplied throughout the whole drive. This ensures the Flash IC and DDR IC will not operate with unstable power which could lead to data errors or bad data integrity.

■ TRIM

TRIM is a feature which helps improve the read/write performance and speed of solid-state drives (SSD). Unlike hard disk drives (HDD), SSDs are not able to overwrite existing data, so the available space gradually becomes smaller with each use. With the TRIM command, the operating system can inform the SSD which blocks of data are no longer in use and can be removed permanently. Thus, the SSD will perform the erase action, which prevents unused data from occupying blocks all the time.

■ SMART

SMART, an acronym for Self-Monitoring, Analysis and Reporting Technology, is an open standard that allows a hard disk drive to automatically detect its health and report potential failures. When a failure is recorded by SMART, users can choose to replace the drive to prevent unexpected outage or data loss. Moreover, SMART can inform users of impending failures while there is still time to perform proactive actions, such as copy data to another device.

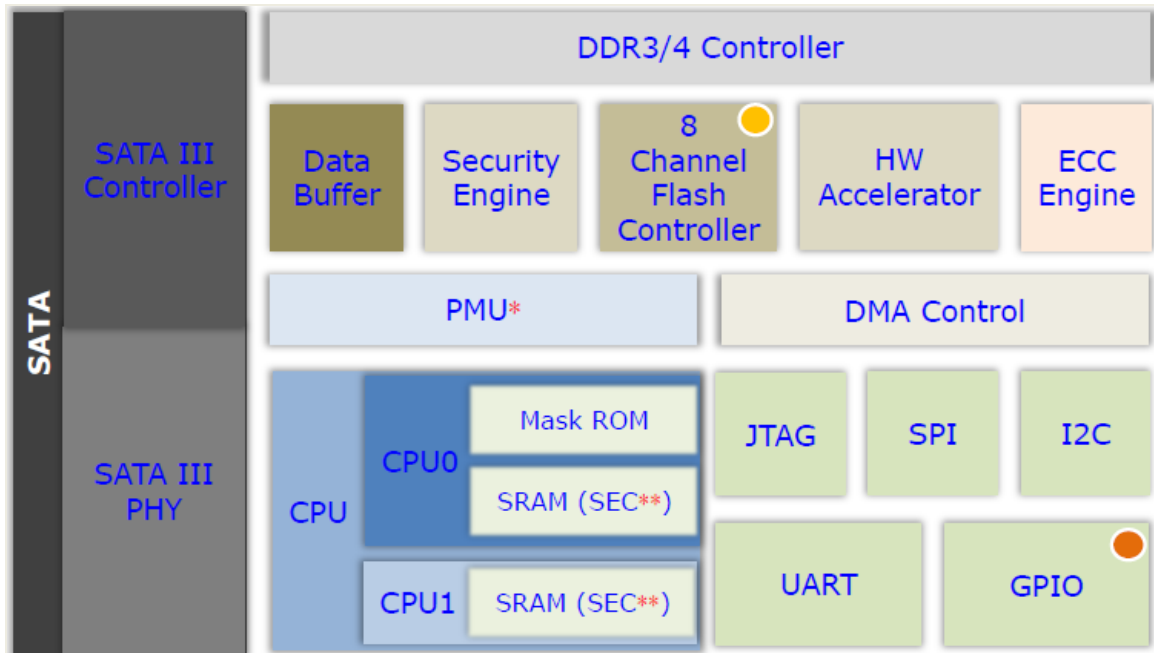
■ Over-Provision

Over Provisioning refers to the inclusion of extra NAND capacity in a SSD, which is not visible and cannot be used by users. With Over Provisioning, the performance and IOPS (Input/Output Operations per Second) are improved by providing the controller additional space to manage P/E cycles, which enhances the reliability and endurance as well. Moreover, the write amplification of the SSD becomes lower when the controller writes data to the flash.

■ Thermal Throttling

Thermal Throttling function is for protecting the drive and reducing the possibility of read / write error due to overheat. The temperature is monitored by the thermal sensor. As the operating temperature continues to increase to threshold temperature, the Thermal Throttling mechanism is activated. At this time, the performance of the drive will be significantly decreased to avoid continuous heating. When the operating temperature falls below threshold temperature, the drive can resume to normal operation.

■ Block Diagram



■ LBA value

| Density | LBA |
|---------|----------------|
| 240 GB | 468,862,128 |
| 480 GB | 937,703,088 |
| 960 GB | 1,875,385,008 |
| 1920 GB | 3,750,748,848 |
| 3840 GB | 7,501,476,528 |
| 7680 GB | 15,002,931,888 |

5. Security Features

■ **Advanced Encryption Standard (AES)**

An AES 256-bit encryption key is generated in the drive's security controller before the data got stored on the NAND flash. When the controller or firmware fails, the data that is securely stored in the encryption key becomes inaccessible through the NAND flash.

■ **Secure / Quick Erase**

SQFlash 840 series supports standard SATA command secure erase. Also, with internal AES encryption support, the erase process will start with resetting AES key. By doing so, existing data will be scrambled within 10ms and cannot be recovered anymore. Moreover, erase flag is set when erase function is triggered, which will ensure the whole erase process can be 100% completed. Even there's power interrupt, after power resume, erase operation will be resume right away as well.

■ **TCG-OPAL 2.0 Compliance**

TCG-OPAL compliance SED (Self-encryption Drive) supports a built-in shadow MBR to process user authentication to SSD before booting to normal MBR area and OS. SQFlash 840 series supports such feature with 100% TCG-OPAL compliance. Further, with SQFlash Flash Lock function, the user authentication process in shadow MBR can be done automatically by bonding with motherboard unique ID such as UUID in BIOS / MAC address / TPM unique code. So with Flash Lock enabled, only designated motherboard can have access to the SSD.

■ **Write Protect**

SQFlash 840 series supports Write Protect function though firmware setting. Users can perform write protection through SQFlash Smartwp software in DOS interface. The SSD will not execute Write command to perform write protection function by issuing write protection enable command through the DOS interface.

■ **Flash Vault**

Flash Vault is to lock Read and Write command by SSD firmware setting and make the SSD need password to verify and only operate with the corresponding platform. User can use Flash Vault to prevent data being stolen by reading the SQFlash SSD with other computers and unauthorized person.

■ **Security ID**

Security ID is to encrypt user's specific application software encryption. To enable this function, the application software is required to build Security ID function code and user needs to enable the firmware function by entering Access Code of SQFlash Utility, and then the Security ID can be set. When Security ID sets, the application software is protected by Security ID and SQFlash Utility

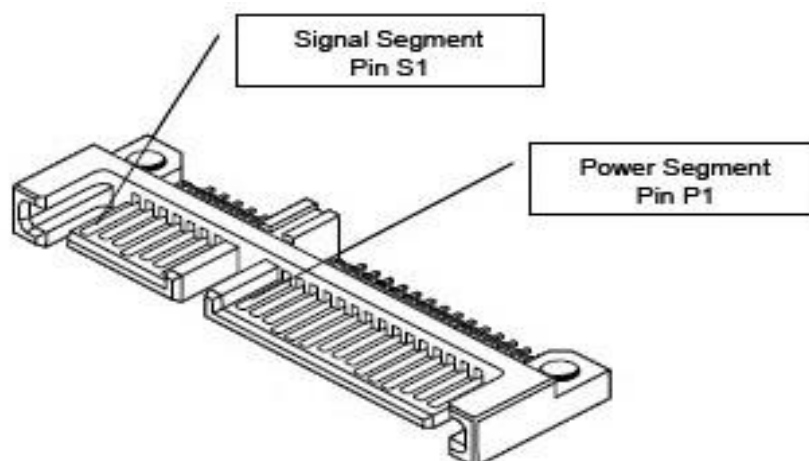
6. Pin Assignment and Description

6.1 2.5" SATA-SSD Interface Pin Assignments (Signal Segment)

| Pin # | Function | Description |
|-------|----------|----------------------------|
| S1 | GND | 2 nd mate |
| S2 | A+ | Differential signal pair A |
| S3 | A- | |
| S4 | GND | 2 nd mate |
| S5 | B- | Differential signal pair B |
| S6 | B+ | |
| S7 | GND | 2 nd mate |

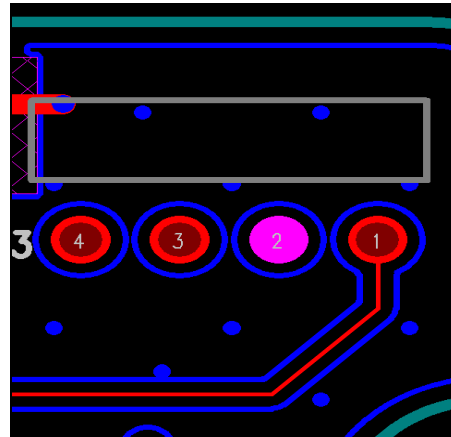
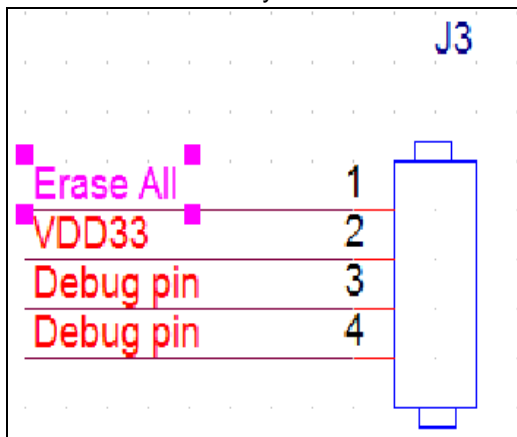
6.2 2.5" SATA-SSD Interface Pin Assignments (Power Segment)

| Pin # | Function |
|-------|----------------------------|
| P1 | Not Used (3.3V) |
| P2 | Not Used (3.3V) |
| P3 | Not Used (3.3V Pre-Charge) |
| P4 | GND |
| P5 | GND |
| P6 | GND |
| P7 | 5V Pre-Charge |
| P8 | 5V |
| P9 | 5V |
| P10 | GND |
| P11 | LED pin |
| P12 | GND |
| P13 | Not Used (12V Pre-Charge) |
| P14 | Not Used (12V) |
| P15 | Not Used (12V) |

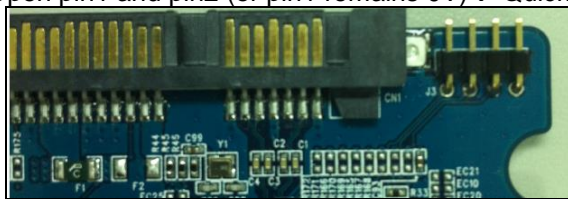


6.3 Hardware Quick Erase / Write Protect (Optional, either one support only)

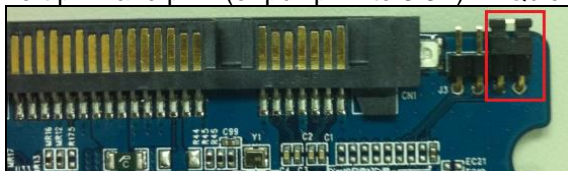
- The Hardware Quick Erase is a function of overall destruction. Once the function is triggered, the SSD controller will set erase flag and reset AES key within 10ms and then all the data in Flash IC will become scrambled data. The SSD will be inaccessible immediately and will be in erase mode before erase process is completed. After that, the new mapping table will be generated. Even there is power failure during the process, erase will be carried on after power resume. Optionally, the function can be set to several different erase protocol, also, can be set to end up with removing firmware and mapping table to make SSD become unusable anymore.
- Write Protect is a function of prohibiting writing data into drive. When the reserved GPIO pins are shorted or pull to 3.3V, all of the write command will be carried to a buffer area without real programming to the Flash IC. So the data won't be saved in this mode and will be totally discarded upon power shutting down.
- GPIO pin is reserved on the PCB without any default function. Optionally the pin can be set to either Quick Erase or Write Protect by loading the specific version firmware. Please contact Advantech sales representative if you would like to enable the function.
- GPIO schematic and layout



- Open pin1 and pin2 (or pin1 remains 0V) → Quick Erase disabled or Write Protect disabled



- Short pin1 and pin2 (or pull pin1 to 3.3V) → Quick Erase enabled or Write Protect enabled



7. Identify Device Data

The Identify Device Data enables Host to receive parameter information from the device. The parameter words in the buffer have the arrangement and meanings defined in below table. All reserve bits or words are zero

| Word | ATA Identify Parameter | Value |
|-------|--|-----------------|
| 0 | General configuration | 0040h |
| 1 | Number of cylinders in the default CHS translation | 3FFFh |
| 2 | Specific configuration | C837h |
| 3 | Number of heads in the default CHS translation | 0010h |
| 4-5 | Retired | 0000h |
| 6 | Number of sectors per track in the default CHS translation | 003Fh |
| 7-8 | Reserved for the CFA | 0000h |
| 9 | Obsolete | 0000h |
| 10-19 | Serial number | ASCII |
| 20 | Retired | 0000h |
| 21 | Retired | 0000h |
| 22 | Obsolete | 0000h |
| 23-26 | Firmware revision | ASCII |
| 27-46 | Model number | ASCII |
| 47 | READ/WRITE MULTIPLE commands function | 8010h |
| 48 | Trusted Computing feature set options | 4000h |
| 49 | Capabilities | 2F00h |
| 50 | Capabilities | 4000h |
| 51-52 | Obsolete | 0000h |
| 53 | field validity | 0007h |
| 54 | Number of cylinders in the current CHS translation | 3FFFh |
| 55 | Number of heads in the current CHS translation | 0010h |
| 56 | Number of sectors per track in the current CHS translation | 003Fh |
| 57-58 | Current capacity in sectors | 00FBFC10h |
| 59 | Multiple sector setting | 0110h |
| 60-61 | Total number of user addressable logical sectors for 28-bit commands | *3 |
| 62 | Obsolete | 0000h |
| 63 | Multiword DMA modes | 0407h |
| 64 | PIO mode supported | 0003h |
| 65 | Minimum Multiword DMA transfer cycle time per word | 0078h |
| 66 | Manufacturer's recommended Multiword DMA transfer cycle time | 0078h |
| 67 | Minimum PIO transfer cycle time without flow control | 0078h |
| 68 | Minimum PIO transfer cycle time with IORDY flow control | 0078h |
| 69 | Additional Supported | 5F20h |
| 70-73 | Reserved | 0000h |
| 74 | Reserved | 0000h |
| 75 | Queue depth | 001Fh |
| 76 | Serial ATA Capabilities | E70Eh |
| 77 | Supported Serial ATA Phy speed | 0006/0004/0002h |
| 78 | Serial ATA features supported | 054Ch |

| | | |
|---------|--|-----------------|
| 79 | Serial ATA features enabled | 0040h |
| 80 | Major version number | 03F8h |
| 81 | Minor version number | 0000h |
| 82 | Commands and feature sets supported | 746Bh |
| 83 | Commands and feature sets supported | 7D09h |
| 84 | Commands and feature sets supported | 4163h |
| 85 | Commands and feature sets supported or enabled | 7469h |
| 86 | Commands and feature sets supported or enabled | BC09h |
| 87 | Commands and feature sets supported or enabled | 4163h |
| 88 | Ultra DMA modes | 007Fh |
| 89 | Time required for Normal Erase mode SECURITY ERASE UNIT command | 0001h |
| 90 | Time required for an Enhanced Erase mode SECURITY ERASE UNIT command | 0001h |
| 91 | Current APM level value | 00FEh |
| 92 | Master Password Identifier | FFFEh |
| 93 | Hardware reset result | 0000h |
| 94 | Current AAM value | 0000h |
| 95 | Stream Minimum Request Size | 0000h |
| 96 | Streaming Transfer Time - DMA | 0000h |
| 97 | Streaming Access Latency -DMA and PIO | 0000h |
| 98-99 | Streaming Performance Granularity | 0000h |
| 100-103 | Total Number of User Addressable Logical Sectors for 48-bit commands | *4 |
| 104 | Streaming Transfer Time - PIO | 0000h |
| 105 | Maximum number of 512-byte blocks of LBA Range Entries per DATA SET MANAGEMENT command | 0008h |
| 106 | Physical sector size / logical sector size | 4000h |
| 107 | Inter-seek delay for ISO 7999 standard acoustic testing | 0000h |
| 108-111 | World wide name | Vendor Specific |
| 112-115 | Reserved | 0000h |
| 116 | Reserved for TLC | 0000h |
| 117-118 | Logical sector size | 0000h |
| 119 | Commands and feature sets supported | 401Ch |
| 120 | Commands and feature sets supported or enabled | 401Ch |
| 121-124 | Reserved for expanded supported and enabled settings | 0000h |
| 125-126 | Reserved for expanded supported and enabled settings | 0000h |
| 127 | Obsolete | 0000h |
| 128 | Security status | 0021h |
| 129-159 | Vendor specific | 0000h |
| 160 | CFA power mode | 0000h |
| 161-164 | Reserved for the CFA | 0000h |
| 165-167 | Reserved for the CFA | 0000h |
| 168 | Device Nominal Form Factor | 0003h |
| 169 | DATA SET MANAGEMENT is supported | 0001h |
| 170-173 | Additional Product Identifier | 0000h |
| 174-175 | Reserved | 0000h |
| 176-205 | Current media serial number | 0000h |
| 206 | SCT Command Transport | 0039h |

Specifications subject to change without notice, contact your sales representatives for the most update information.

| | | |
|---------|--|-------|
| 207-208 | Reserved for CE-ATA | 0000h |
| 209 | Alignment of logical blocks within a physical block | 4000h |
| 210-211 | Write-Read-Verify Sector Count Mode 3 | 0000h |
| 212-213 | Write-Read-Verify Sector Count Mode 2 | 0000h |
| 214 | NV Cache Capabilities | 0000h |
| 215-216 | NV Cache Size in Logical Blocks | 0000h |
| 217 | Nominal media rotation rate | 0001h |
| 218 | Reserved | 0000h |
| 219 | NV Cache Options | 0000h |
| 220 | Current mode of the Write-Read-Verify feature set | 0000h |
| 221 | Reserved | 0000h |
| 222 | Transport major version number | 107Fh |
| 223 | Transport minor version number | 0000h |
| 224-227 | Reversed for CE-ATA | 0000h |
| 228-229 | Reversed for CE-ATA | 0000h |
| 230-233 | Extend Number of User Addressable Sectors | 0000h |
| 234 | Minimum number of 512-byte data blocks per DOWNLOAD MICROCODE command for mode 03h | 0001h |
| 235 | Maximum number of 512-byte data blocks per DOWNLOAD MICROCODE command for mode 03h | FFFFh |
| 236-239 | Reserved | 0000h |
| 240-242 | Reserved | 0000h |
| 243 | Security feature 4000 : Self Encrypting Drive | 4000h |
| 244-247 | Reserved | 0000h |
| 248-251 | Reserved | 0000h |
| 252-254 | Reserved | 0000h |
| 255 | Integrity word | xxA5h |

| Capacity (GB) | *1 (Word 1/Word 54) | *2 (Word 57 – 58) | *3 (Word 60 – 61) | *4 (Word 100 – 103) |
|---------------|---------------------|-------------------|-------------------|---------------------|
| 120 | 3FFFh | FBFC10h | FFFFFFFh | 0DF94BB0h |
| 240 | 3FFFh | FBFC10h | FFFFFFFh | 1BF244B0h |
| 480 | 3FFFh | FBFC10h | FFFFFFFh | 37E436B0h |
| 960 | 3FFFh | FBFC10h | FFFFFFFh | 6FC81AB0h |
| 1920 | 3FFFh | FBFC10h | FFFFFFFh | DF8FE2B0h |
| 3840 | 3FFFh | FBFC10h | FFFFFFFh | 1BF1F72B0h |
| 7680 | 3FFFh | FBFC10h | FFFFFFFh | 37E3E92B0h |

8. ATA Command Set [Command Set List]

| Op-Code | | Command Description | Op-Code | | Command Description |
|---------|-----|-----------------------------------|---------|-----|---|
| 00h | | NOP | 60h | | Read FPDMA Queued |
| 06h | | Data Set Management | 61h | | Write FPDMA Queued |
| 10h | | Recalibrate | 70h | | Seek |
| 20h | | Read Sectors | 90h | | Execute Device Diagnostic |
| 21h | | Read Sectors without Retry | 91h | | Initialize Device Parameters |
| 24h | | Read Sectors EXT | 92h | | Download Microcode |
| 25h | | Read DMA EXT | 93h | | Download Microcode DMA |
| 27h | | Read Native Max Address EXT | B0h | | SMART |
| 29h | | Read Multiple EXT | B0h | D0h | SMART READ DATA |
| 2Fh | | Read Log EXT | B0h | D1h | SMART READ DATA ATTRIBUTE THRESHOLD |
| 30h | | Write Sectors | B0h | D2h | SMART ENABLE/DISABLE ATTRIBUTE AUTOSAVE |
| 31h | | Write Sectors without Retry | B0h | D3h | SMART SAVE ATTRIBUTE VALUES |
| 34h | | Write Sectors EXT | B0h | D4h | SMART EXECUTE OFF-LINE IMMEDIATE |
| 35h | | Write DMA EXT | B0h | D5h | SMART READ LOG |
| 37h | | Set Native Max Address EXT | B0h | D6h | SMART WRITE LOG |
| 39h | | Write Multiple EXT | B0h | D8h | SMART ENABLE OPERATIONS |
| 3Dh | | Write DMA FUA EXT | B0h | D9h | SMART DISABLE OPERATIONS |
| 3Fh | | Write Long EXT | B0h | DAh | SMART RETURN STATUS |
| 40h | | Read Verify Sectors | B0h | DBh | SMART ENABLE/DISABLE AUTOMATIC OFF-LINE |
| 41h | | Read Verify Sectors without Retry | B1h | | DEVICE CONFIGURATION OVERLAY |
| 42h | | Read Verify Sectors EXT | B1h | C0h | DEVICE CONFIGURATION RESTORE |
| 45h | | Write Uncorrectable EXT | B1h | C1h | DEVICE CONFIGURATION FREEZE LOCK |
| 47h | | Read Log DMA EXT | B1h | C2h | DEVICE CONFIGURATION IDENTIFY |
| 57h | | Write Log DMA EXT | B1h | C3h | DEVICE CONFIGURATION SET |
| B1h | C4h | DEVICE CONFIGURATION IDENTIFY DMA | ECh | | Identify Device |
| B1h | C5h | DEVICE CONFIGURATION SET DMA | EFh | | Set Features |
| C4h | | Read Multiple | EFh | 02h | Enable 8-bit PIO transfer mode |

Specifications subject to change without notice, contact your sales representatives for the most update information.

| | | | | | |
|-----|-------------------------|---------------------------------------|-----|-----|---|
| C5h | Write Multiple | EFh | 03h | | Set transfer mode based on value in Count field |
| C6h | Set Multiple Mode | EFh | 05h | | Enable advanced power management |
| C8h | Read DMA | EFh | 10h | | Enable use of Serial ATA feature |
| C9h | Read DMA without Retry | EFh | 10h | 02h | Enable DMA Setup FIS Auto-Activate optimization |
| CAh | Write DMA | EFh | 10h | 03h | Enable Device-initiated interface power state (DIPM) transitions |
| CBh | Write DMA without Retry | EFh | 10h | 06h | Enable Software Settings Preservation (SSP) |
| CEh | Write Multiple FUA EXT | EFh | 10h | 07h | Enable Device Automatic Partial to Slumber transitions |
| E0h | Standby Immediate | EFh | 10h | 09h | Enable Device Sleep |
| E1h | Idle Immediate | EFh | 55h | | Disable read look-ahead feature |
| E2h | Standby | EFh | 66h | | Disable reverting to power-on defaults |
| E3h | Idle | EFh | 82h | | Disable write cache |
| E4h | Read Buffer | EFh | 85h | | Disable advanced power management |
| E5h | Check Power Mode | EFh | 90h | | Disable use of Serial ATA feature set |
| E6h | Sleep | EFh | 90h | 02h | Disable DMA Setup FIS Auto-Activate optimization |
| E7h | Flush Cache | EFh | 90h | 03h | Disable Device-initiated interface power state (DIPM) transitions |
| E8h | Write Buffer | EFh | 90h | 06h | Disable Software Settings Preservation (SSP) |
| E9h | Read Buffer DMA | EFh | 90h | 07h | Disable Device Automatic Partial to Slumber transitions |
| EAh | Flush Cache EXT | EFh | 90h | 09h | Disable Device Sleep |
| EBh | Write Buffer DMA | EFh | AAh | | Enable read look-ahead feature |
| EFh | CCh | Enable reverting to power-on defaults | F4h | | Security Erase Unit |
| F1h | Security Set Password | F5h | | | Security Freeze Lock |
| F2h | Security Unlock | F6h | | | Security Disable Password |
| F3h | Security Erase Prepare | F8h | | | Read Native Max Address |

Note: ND = Non-Data Command
 PI = PIO Data-In Command
 PO = PIO Data-Out Command
 DM = DMA Command
 DD = Execute Diagnostic Command

[Command Set Descriptions]

1. CHECK POWER MODE (code: E5h);

This command allows host to determine the current power mode of the device.

2. DOWNLOAD MICROCODE (code: 92h);

This command enables the host to alter the device's microcode. The data transferred using the DOWNLOAD MICROCODE command is vendor specific.

All transfers shall be an integer multiple of the sector size. The size of the data transfer is determined by the content of the LBA Low register and the Sector Count register.

This allows transfer sizes from 0 bytes to 33,553,920 bytes, in 512bytes increments.

3. EXECUTE DEVICE DIAGNOSTIC (code: 90h);

This command performs the internal diagnostic tests implemented by the module.

4. FLUSH CACHE (code: E7h);

This command is used by the host to request the device to flush the write cache.

5. FLUSH CACHE EXT (code: EAh);

This command is used by the host to request the device to flush the write cache. If there is data in the write cache, that data shall be written to the media.

6. IDENTIFY DEVICE (code: ECh);

The IDENTIFY DEVICE command enables the host to receive parameter information from the module.

7. IDLE (code: 97h or E3h);

This command allows the host to place the module in the IDLE mode and also set the Standby timer. INTRQ may be asserted even through the module may not have fully transitioned to IDLE mode. If the Sector Count register is non-"0", then the Standby timer shall be enabled. The value in the Sector Count register shall be used to determine the time programmed into the Standby timer. If the Sector Count register is "0" then the Standby timer is disabled.

8. IDLE IMMEDIATE (code: E1h);

This command causes the module to set BSY, enter the Idle (Read) mode, clear BSY and generate an interrupt.

9. INITIALIZE DEVICE PARAMETERS (code: 91h);

This command enables the host to set the number of sectors per track and the number of heads per cylinder.

10. NOP (code: 00h);

If this command is issued, the module respond with command aborted.

11. READ BUFFER (code: E4h);

This command enables the host to read the current contents of the module's sector buffer.

12. READ DMA (code: C8h or C9h);

This command reads from "1" to "256" sectors as specified in the Sector Count register using the DMA data transfer protocol. A sector count of "0" requests "256" sectors transfer. The transfer begins at the

sector specified in the Sector Number register.

13. READ DMA Ext (code: 25h);

This command allows the host to read data using the DMA data transfer protocol.

14. READ MULTIPLE (code: C4h);

This command performs similarly to the READ SECTORS command. Interrupts are not generated on each sector, but on the transfer of a block which contains the number of sector per block is defined by the content of word 59 in the IDENTIFY DEVICE response.

15. READ MULTIPLE EXT (code: 29h);

This command performs similarly to the READ SECTORS command. The number of sectors per block is defined by a successful SET MULTIPLE command. If no successful SET MULTIPLE command has been issued, the block is defined by the device's default value for number of sectors per block as defined in bits (7:0) in word 47 in the IDENTIFY DEVICE information.

16. READ NATIVE MAX ADDRESS (code: F8h);

This command returns the native maximum address. The native maximum address is the highest address accepted by the device in the factory default condition.

17. READ NATIVE MAX ADDRESS EXT (code: 27h);

This command returns the native maximum address.

18. READ SECTOR(S) (code: 20h or 21h);

This command reads from "1" to "256" sectors as specified in the Sector Count register. A sector count of "0" requests "256" sectors transfer. The transfer begins at the sector specified in the Sector Number register.

19. READ SECTOR(S) EXT (code: 24h);

This command reads from "1" to "65536" sectors as specified in the Sector Count register. A sector count of "0" requests "65536" sectors transfer. The transfer begins at the sector specified in the Sector Number register.

20. READ VERIFY SECTOR(S) (code: 40h or 41h);

This command is identical to the READ SECTORS command, except that DRQ is never set and no data is transferred to the host.

21. READ VERIFY SECTOR(S) EXT (code: 42h);

This command is identical to the READ SECTORS command, except that DRQ is never set and no data is transferred to the host.

22. RECALIBRATE (code: 1Xh);

This command returns value is select address mode by the host request.

23. SECURITY DISABLE PASSWORD (code: F6h);

This command transfers 512 bytes of data from the host. Table defines the content of this information. If the password selected by word 0 match the password previously saved by the device, the device shall disable the Lock mode. This command shall not change the Master password. The Master password shall be reactivated when a User password is set.

24. SECURITY ERASE PREPARE (code: F3h);

This command shall be issued immediately before the SECURITY ERASE UNIT command to enable device erasing and unlocking.

25. SECURITY ERASE UNIT (code: F4h);

This command transfers 512 bytes of data from the host. Table## defines the content of this information. If the password does not match the password previously saved by the device, the device shall reject the command with command aborted.

The SECURITY ERASE PREPARE command shall be completed immediately prior to the SECURITY ERASE UNIT command.

26. SECURITY FREEZE LOCK (code: F5h);

This command shall set the device to frozen mode. After command completion any other commands that update the device Lock mode shall be command aborted. Frozen shall be disabled by power-off or hardware reset.

If SECURITY FREEZE LOCK is issued when the drive is in frozen mode, the drive executes the command and remains in frozen mode.

27. SECURITY SET PASSWORD (code: F1h);

This command transfers 512 bytes of data from the host. Table defines the content of this information. The data transferred controls the function of this command. Table defines the interaction of the identifier and security level bits.

28. SECURITY UNLOCK (code: F2h);

This command transfers 512 bytes of data from the host. Table (as Disable Password) defines the content of this information.

If the Identifier bit is set to Master and the device is in high security level, then the password supplied shall be compared with the stored Master password. If the device is in maximum security level then the unlock shall be rejected.

If the identifier bit is set to user then the device shall compare the supplied password with the stored User password.

If the password compare fails then the device shall return command aborted to the host and decrements the unlock counter. This counter shall be initially set to five and shall be decremented for each password mismatch when SECURITY UNLOCK is issued and the device is locked. When this counter reaches zero then SECURITY UNLOCK and SECURITY ERASE UNIT command shall be aborted until a power-on or hardware reset.

29. SEEK (code: 7Xh);

This command performs address range check.

30. SET MAX ADDRESS (code: F9h);

After successful command completion, all read and write access attempts to address greater than specified by the successful SET MAX ADDRESS command shall be rejected with an IDNF error. IDENTIFY DEVICE response words (61:60) shall reflect the maximum address set with this command.

31. SET MAX ADDRESS EXT (code: 37h);

After successful command completion, all read and write access attempts to address greater than specified by the successful SET MAX ADDRESS command shall be rejected with an IDNF error. IDENTIFY DEVICE response words (61:60) shall reflect the maximum address set with this command.

32. SET FEATURE (code: EFh);

This command is used by the host to establish parameters that affect the execution of certain device features.

33. SET MULTIPLE MODE (code: C6h);

This command enables the device to perform READ and Write Multiple operations and establishes the block count for these commands.

34. SLEEP (code: 99h or E6h);

This command causes the module to set BSY, enter the Sleep mode, clear BSY and generate an interrupt.

35. SMART READ DATA (code: B0h with Feature register value of D0h);

This command returns the Device SMART data structure to the host.

36. SMART ENABLE/DISABLE AUTO SAVE (code: B0h with Feature register value of D2h);

This command enables and disables the optional attribute auto-save feature of the device.

37. SMART EXECUTE OFF_LINE (code: B0h with Feature register value of D4h);

This command causes the device to immediately initiate the optional set of activities that collect SMART data in an off-line mode and then save this data to the device's non-volatile memory, or execute a self-diagnostic test routine in either captive or off-line mode.

38. SMART READ LOG (code: B0h with Feature register value of D5h);

This command returns the specified log data to the host.

39. SMART ENABLE OPERATION (code: B0h with Feature register value of D8h);

This command enables access to all SMART capabilities within the device. Prior to receipt of this command SMART data are neither monitored nor saved by the device.

40. SMART DISABLE OPERATION (code: B0h with Feature register value of D9h);

This command disables all SMART capabilities within the device including any and all timer and event count functions related exclusively to this feature. After command acceptance the device shall disable all SMART operations.

After receipt of this command by the device, all other SMART commands including SMART DISABLE OPERATION commands, with exception of SMART ENABLE OPERATIONS, are disabled and invalid and shall be command aborted by the device.

41. SMART RETURN STATUS (code: B0h with Feature register value of DAh);

This command causes the device to communicate the reliability status of the device to the host.

42. STANDBY (code: E2h);

This command causes the module to set BSY, enter the Standby mode, clear BSY and return the interrupt immediately.

43. STANDBY IMMEDIATE (code: E0h);

This command causes the module to set BSY, enter the Standby mode, clear BSY and return the interrupt immediately.

44. WRITE BUFFER (code: E8h);

This command enables the host to overwrite contents of the module's sector buffer with any data pattern desired.

45. WRITR DMA (code: CAh or CBh);

This command writes from "1" to "256" sectors as specified in the Sector Count register using the DMA data transfer protocol. A sector count of "0" requests "256" sectors transfer. The transfer begins at the sector specified in the Sector Number register.

46. WRITR DMA EXT (code: 35h);

This command writes from "1" to "65536" sectors as specified in the Sector Count register using the DMA data transfer protocol. A sector count of "0" requests "65536" sectors transfer. The transfer begins at the sector specified in the Sector Number register.

47. WRITE MULTIPLE (code: C5h);

Specifications subject to change without notice, contact your sales representatives for the most update information.

This command is similar to the WRITE SECTORS command. Interrupts are not presented on each sector, but on the transfer of a block which contains the number of sectors defined by Set Multiple command.

48. WRITE MULTIPLE EXT (code: 39h);

This command is similar to the WRITE SECTORS command. Interrupts are not presented on each sector, but on the transfer of a block which contains the number of sectors defined by Set Multiple command.

49. WRITE SECTOR(S) (code: 30h);

This command writes from "1" to "256" sectors as specified in the Sector Count register. A sector count of "0" requests "256" sectors transfer. The transfer begins at the sector specified in the Sector Number register.

50. WRITE SECTOR(S) EXT (code: 34h);

This command writes from "1" to "65536" sectors as specified in the Sector Count register. A sector count of "0" requests "65536" sectors transfer. The transfer begins at the sector specified in the Sector Number register.

51. WRITE SECTOR(S) W/O ERASE (code: 38h);

This command writes from "1" to "256" sectors as specified in the Sector Count register. A sector count of "0" requests "256" sectors transfer. The transfer begins at the sector specified in the Sector Number register.

52. WRITE VERIFY (code: 3Ch);

This command is similar to the WRITE SECTOR(S) command, except that each sector is verified before the command is completed.

9. System Power Consumption

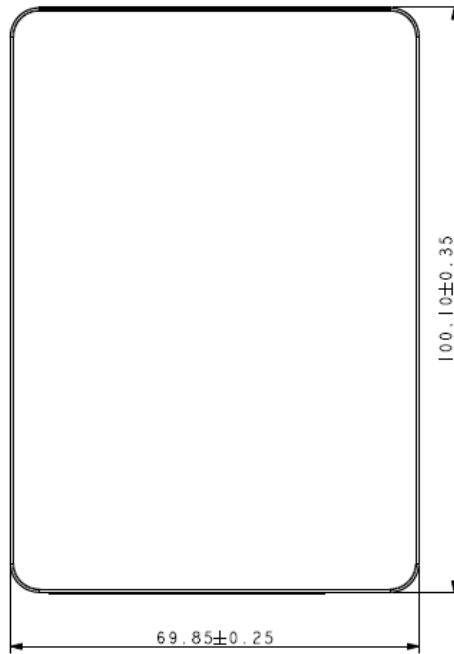
9.1 Supply Voltage

| Parameter | Rating |
|-------------------|--------|
| Operating Voltage | 5V |

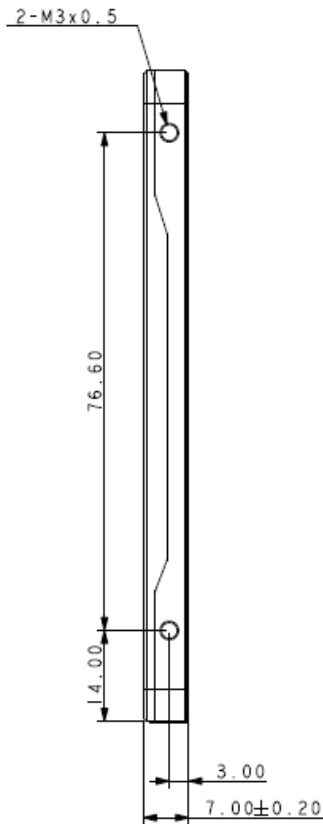
9.2 Power Consumption

| Unit: mW | | Read | Write | Idle |
|-------------------|---------|------|-------|------|
| 3D TLC (BiCS3) | 240 GB | 2200 | 2500 | 1100 |
| | 480 GB | 2400 | 2900 | 1500 |
| | 960 GB | 2700 | 3100 | 1500 |
| | 1920 GB | 3000 | 3200 | 1500 |
| | 3840 GB | 3200 | 4000 | 1500 |
| | 7680 GB | 3600 | 4900 | 1500 |

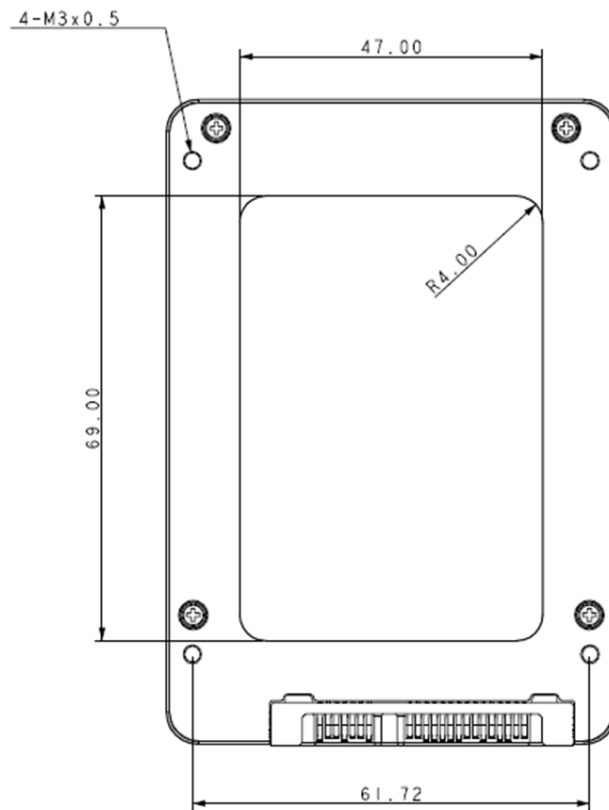
10. Physical Dimension 2.5" SATA SSD (Unit: mm)



(Top View)



(Side View)



(Bottom View)

Appendix: Part Number Table

| Product | Advantech PN |
|--|--------------------|
| SQF 2.5 SATA SSD 840 240G 3D TLC (0~70°C) | SQF-S25V4-240G-SCC |
| SQF 2.5 SATA SSD 840 480G 3D TLC (0~70°C) | SQF-S25V8-480G-SCC |
| SQF 2.5 SATA SSD 840 960G 3D TLC (0~70°C) | SQF-S25V8-960G-SCC |
| SQF 2.5 SATA SSD 840 1920G 3D TLC (0~70°C) | SQF-S25VF-1K9G-SCC |
| SQF 2.5 SATA SSD 840 3840G 3D TLC (0~70°C) | SQF-S25VF-3K8G-SCC |
| SQF 2.5 SATA SSD 840 7680G 3D TLC (0~70°C) | SQF-S25VF-7K6G-SCC |
| SQF 2.5 SATA SSD 840 240G 3D TLC (-40~85°C) | SQF-S25V4-240G-SCE |
| SQF 2.5 SATA SSD 840 480G 3D TLC (-40~85°C) | SQF-S25V8-480G-SCE |
| SQF 2.5 SATA SSD 840 960G 3D TLC (-40~85°C) | SQF-S25V8-960G-SCE |
| SQF 2.5 SATA SSD 840 1920G 3D TLC (-40~85°C) | SQF-S25VF-1K9G-SCE |
| SQF 2.5 SATA SSD 840 3840G 3D TLC (-40~85°C) | SQF-S25VF-3K8G-SCE |
| SQF 2.5 SATA SSD 840 7680G 3D TLC (-40~85°C) | SQF-S25VF-7K6G-SCE |

Компания «Life Electronics» занимается поставками электронных компонентов импортного и отечественного производства от производителей и со складов крупных дистрибьюторов Европы, Америки и Азии.

С конца 2013 года компания активно расширяет линейку поставок компонентов по направлению коаксиальный кабель, кварцевые генераторы и конденсаторы (керамические, пленочные, электролитические), за счёт заключения дистрибьюторских договоров

Мы предлагаем:

- Конкурентоспособные цены и скидки постоянным клиентам.
- Специальные условия для постоянных клиентов.
- Подбор аналогов.
- Поставку компонентов в любых объемах, удовлетворяющих вашим потребностям.
- Приемлемые сроки поставки, возможна ускоренная поставка.
- Доставку товара в любую точку России и стран СНГ.
- Комплексную поставку.
- Работу по проектам и поставку образцов.
- Формирование склада под заказчика.
- Сертификаты соответствия на поставляемую продукцию (по желанию клиента).
- Тестирование поставляемой продукции.
- Поставку компонентов, требующих военную и космическую приемку.
- Входной контроль качества.
- Наличие сертификата ISO.

В составе нашей компании организован Конструкторский отдел, призванный помогать разработчикам, и инженерам.

Конструкторский отдел помогает осуществить:

- Регистрацию проекта у производителя компонентов.
- Техническую поддержку проекта.
- Защиту от снятия компонента с производства.
- Оценку стоимости проекта по компонентам.
- Изготовление тестовой платы монтаж и пусконаладочные работы.



Тел: +7 (812) 336 43 04 (многоканальный)

Email: org@lifeelectronics.ru