



# 1092 Series 0.500" (12.7mm) Tab Terminals LED Panel Mount Indicator



1092 Series with high brightness LED offers daylight visibility and enhances the user experience by enabling fast operation of the device



## Application

- Industrial
- Transportation
- Food Service
- People Mover
- Medical
- Maritime
- Oil and Gas Industry
- Manufacturing
- Automation & Control

## Key features

- Front panel snap-in. Snaps fit into 0.500" (12.7mm) panel hole requires no additional hardware
- High brightness LED for daylight viewing
- Available in five single LED colors: red, green, amber, blue and white
- Available in five single lens colors: red, green, amber, blue and clear
- Offered with a variety of lens options: Hi Hat, Hi Dome, Semi Dome and Small Dome
- Transparent and diffused lenses provide visibility during daylight
- Available in operating voltage of 12VAC/DC, 28VAC/DC and 125VAC
- Offered with wire leads (4.4"/4.8") or tab terminal (0.187" x .020")
- "Double D" mounting hole prevent any rotation of the indicator while the nut is being installed.
- Bezel finish: Polished stainless steel
- Designed, manufactured and tested in accordance with the relevant UL and CSA standards
- Order speed nuts separately to provide maximum fastening power with minimal installation torque
- Order gasket separately to provide water, oil, air and dust tight
- Compliant with RoHS and REACH requirements

## Ordering Data

The 1092 Series is available in a range of standard features and options. To specify your Panel Mount Indicator, simply choose one option from each column. An example is shown below



**Example:** 1092QD5-12V  
 1092 Tab Terminals with Semi-Dome lens - Green LED and 12 Volts



## Accessories Ordering Data [order separately]

Speed Nut: SN0461-C



O'Ring Gasket: SPC472



# Product Dimensions

## Hi-Dome



## Hi-Hat



## Semi Dome



## Small Dome



## Mounting Hole (All)



Standard Mounting Hole



D-Mounting Hole

D-Mounting Hole

Dimensions in inches

## Product Specifications

Materials	
Housing	White Nylon UL94 V-2
Lens	Transparent Polycarbonate UL94 V-2
Bezel	Polished stainless steel
Tab terminals	Quick-connect tinned brass

Voltage Table		
Nominal	VAC	VDC
12V	10 to 14	10 to 14
28V	26 to 30	26 to 30
125V	105 to 125	-

Temperature Specifications	
Operating Temperature	-40°C to +85°C -40°F to +185°F
Storage Temperature	-40°C to +85°C -40°F to +185°F

Installation Specifications	
Mounting Hole	0.500" to 0.505" (12.70 to 12.83 mm)
D-Mounting Hole	0.470" to 0.475" (11.94 to 12.07 mm)
Panel Thickness	0.020" to 0.100" (0.51 to 2.54 mm)
Tab Terminals	0.187" (4.75mm) terminals

Internal Resistor	
12V	390Ω
28V	1200Ω
125V	15000Ω + rectifier diode

Forward Current Rating	25mA
------------------------	------

## Accessory options [order separately]

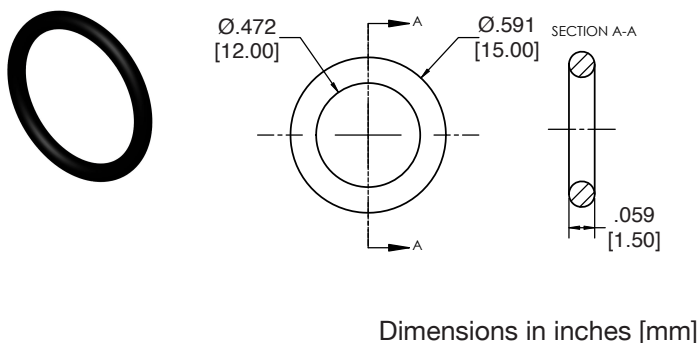
### O-Ring Gasket

Part Number: **SPC472**

The 1092 Gasket is designed to seal many types of media, including water, air, dust, and oil.

The panel gasket is intended to provide a seal between the panel and the 1092 Panel Mount Indicator.

Meets ASTM D2000 standard.



Material
Buna-N, Durometer A50, black

Installation Specification	
Internal Diameter	0.472" (12 mm)
28V	0.059" (1.5 mm)
Operational Temperature	-30°F to +225°F

## Accessory options [order separately]

### Push-on speed nut

Part Number: **SN0461-C**

Description: Speed nut with coating, which secures the indicator in place

- One piece, self-locking, heat-treated, spring-steel fastener that replaces threaded nut, lock washer or spanner washer
- Eliminates time-consuming assembly operations
- Fast and easy to apply, the speed nut fastener provides maximum holding power at minimum cost per fastener
- It does not shake loose from vibration, yet can be easily loosened without worry about rust-frozen screw threads
- For smaller components where space is premium
- Requires less torque than standard hex-nuts
- Can be installed prior to painting process so threads won't fill.



Dimensions in inches [mm]

Material	
Speed Nut (one piece)	Spring Steel

Installation Specification	
Stud Size	0.485" (12.319mm)

## Compliances and Approvals



Компания «Life Electronics» занимается поставками электронных компонентов импортного и отечественного производства от производителей и со складов крупных дистрибьюторов Европы, Америки и Азии.

С конца 2013 года компания активно расширяет линейку поставок компонентов по направлению коаксиальный кабель, кварцевые генераторы и конденсаторы (керамические, пленочные, электролитические), за счёт заключения дистрибьюторских договоров

Мы предлагаем:

- Конкурентоспособные цены и скидки постоянным клиентам.
- Специальные условия для постоянных клиентов.
- Подбор аналогов.
- Поставку компонентов в любых объемах, удовлетворяющих вашим потребностям.
- Приемлемые сроки поставки, возможна ускоренная поставка.
- Доставку товара в любую точку России и стран СНГ.
- Комплексную поставку.
- Работу по проектам и поставку образцов.
- Формирование склада под заказчика.
- Сертификаты соответствия на поставляемую продукцию (по желанию клиента).
- Тестирование поставляемой продукции.
- Поставку компонентов, требующих военную и космическую приемку.
- Входной контроль качества.
- Наличие сертификата ISO.

В составе нашей компании организован Конструкторский отдел, призванный помогать разработчикам, и инженерам.

Конструкторский отдел помогает осуществить:

- Регистрацию проекта у производителя компонентов.
- Техническую поддержку проекта.
- Защиту от снятия компонента с производства.
- Оценку стоимости проекта по компонентам.
- Изготовление тестовой платы монтаж и пусконаладочные работы.



Тел: +7 (812) 336 43 04 (многоканальный)

Email: [org@lifeelectronics.ru](mailto:org@lifeelectronics.ru)