

NOTES:

1- ONLY THE ITEMS WITH QUANTITIES SPECIFIED ON PARTS LIST ARE USED ON THIS APPLICATOR.

▲-USED IN PLACE OF ITEM 38 WHEN INSULATION CRIMP IS NOT USED.

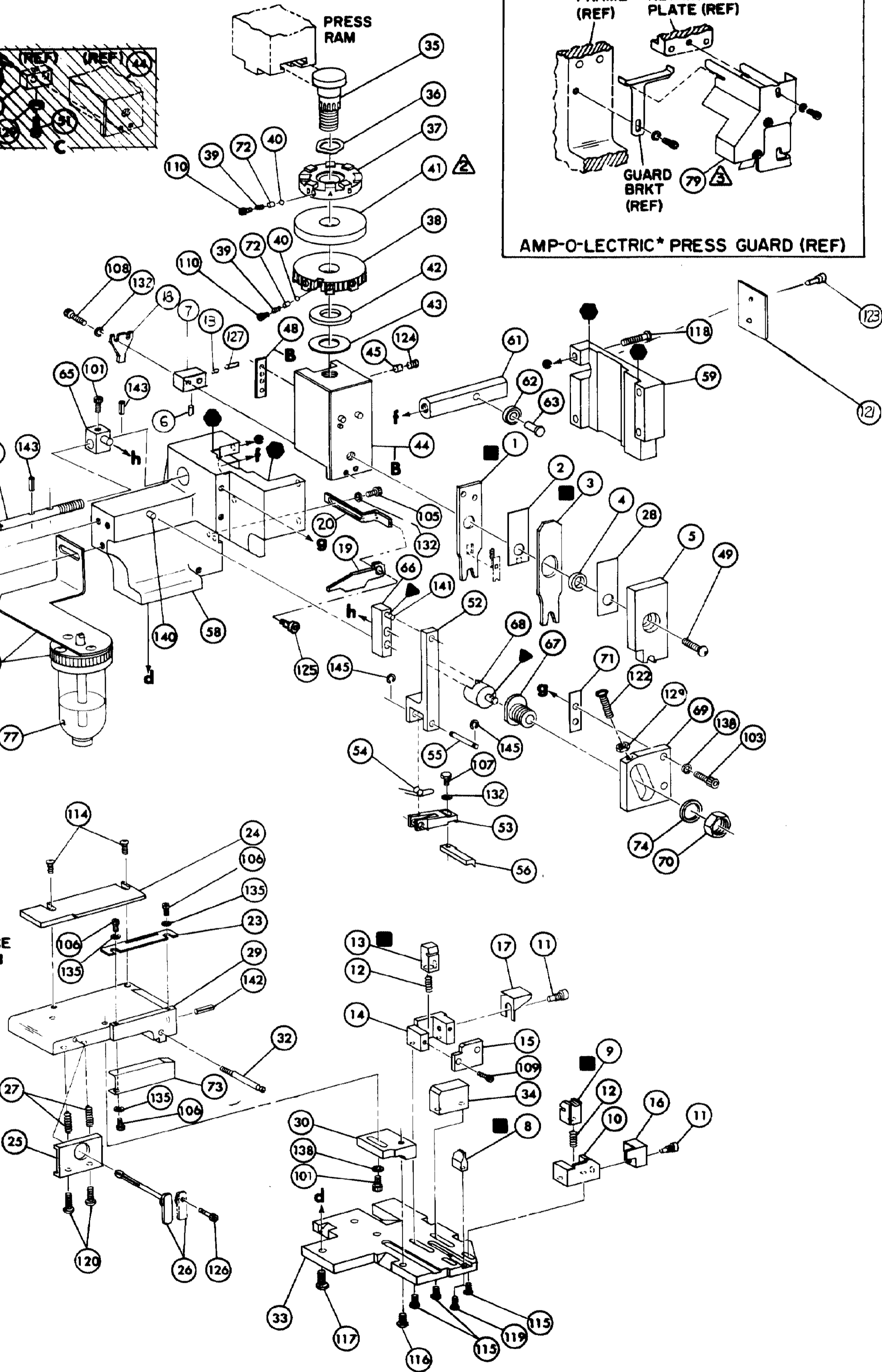
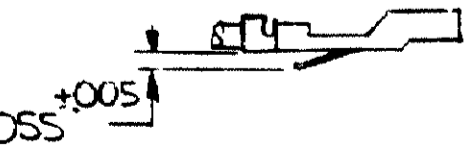
▲-GUARD MUST BE IN PLACE WHEN OPERATING APPLICATOR IN AMP-O-LECTRIC PRESS.

KEY:
 ■-RECOMMENDED SPARE PARTS

▲-LUBRICATE DAILY USING NO. 20 MACHINE OIL.

●-GREASE LIGHTLY

▲-ADJUST PIN TO SET LANCE TO DEPTH



QTY	PART NO	DESCRIPTION	ITEM NO	QTY	PART NO	DESCRIPTION	ITEM NO
2	21045-3	RING, RETAINING 'C' (.187 DIA) FEED FINGER PIN	145	1	454220-1	CAP, HOUSING	58
1	4-21028-0	PIN, SLOT SPR (.093 DIA X .75) STR G PLATE	142	1	454485-1	HOUSING	58
1	1-21030-1	PIN, DOWEL (.187 DIA X .50) LEVER	141	1	453537-1	PAWL, FEED	57
1	1-21030-6	PIN, DOWEL (.187 DIA X 1.25) HOUSING	140	1	240624-1	PIN, FEED FINGER	56
1	21024-5	WASHER, LOCK (NO 10) LUB ASSY	139	1	691499-1	SPRING, FEED FINGER	54
5	21024-5	WASHER, LOCK (NO 10) STRIP GUIDE ADJ BLOCK	138	1	690541-1	FINGER, FEED	53
2	21024-5	WASHER, LOCK (NO 10) ADJ PLATE	137	1	455679-2	LEVER, TERMINAL FEED ARM	52
2	21024-8	WASHER, LOCK (NO 10) FEED GUIDE ROD	136	1		BUMPER, HOLDDOWN	51
2	21057-2	WASHER, LOCK (NO 4) FRONT STRIP GUIDE	135	1	7-21002-9	SPACER, TONKER	50
1	21024-4	WASHER, LOCK (NO 8) FEED FINGER	134	1	690202-5	BOLT, CRIMPER	49
2	21024-4	WASHER, LOCK (NO 8) DEPRESSOR	133	1		CAM, PRE FEED 1/8 STROKE	48
4	21024-4	WASHER, LOCK (NO 8) STRIPPER	132	1	459456-1	APPLICATOR, BASIC (SUB ASSY)	46
1	21899-4	WASHER, FLAT (5/16 DIA) SCREW ADJ	131	1	690191-1	PLUG, NYLON	45
1	21899-2	WASHER, FLAT (NO 10) LUB ASSY	130	1	455673-1	RAM	44
2	21018-5	NUT, HEX MACH (6-32) HOLDDOWN	129	1	690125-1	WASHER, LAMINATED	43
1	21068-5	NUT, HEX MACH (6-32) FEED ADJ	128	1	690124-1	WASHER, RAM	42
1	2-21008-1	SCR, SKT SET (4-40 X .25) PIN, HOOD	127	1		DISC, SPACER	41
1	22353-8	SCR, SHLD. (.187 DIA X .250 LG) DRAG LEVER	126	2	23241-6	BALL, STEEL	40
1	456567-1	SCR, SHLD. (.187 DIA X .125 LG) STRIPPER	125	2	690170-1	SPRING, COMPRESSION	39
1	21009-2	SCR, SKT SET (1/4-20 X .25) (LOC-WEL) RAM	124	1	690142-5	DISC, INSULATION	38
2	21017-2	SCR, DRIVE (2X19) ID PLATE	123	1	7-690141-6	DISC, WIRE	37
1	6-23715-5	SCR, RD HD MACH (6-32 X 1.50) FEED ADJ	122	1	22480-5	WASHER, SPRING	36
1	461264-1	PLATE, IDENTIFICATION	121	1	690212-1	POST, RAM	35
2	2-21002-9	SCR, BUT HD SKT CAP (10-32 X .75) DRAG	120	1	694074-5	SUPPORT, TERMINAL	34
1	2-21002-8	SCR, BUT HD SKT CAP (8-32 X .38) (LOC-WEL) ANVIL	119	1	455675-1	PLATE, BASE	33
4	2-21002-9	SCR, BUT HD SKT CAP (10-32 X .75) CAP	118	1	690432-3	SCREW, ADJUSTMENT	32
3	2-22733-8	SCR, BUT HD SKT CAP (1/4-20 X .75) HOUSING	117	1			31
1	2-21002-7	SCR, BUT HD SKT CAP (10-32 X .50) SG ADJ BLOCK	116	1	455689-1	BLOCK, STRIP GUIDE ADJ	30
4	2-21002-2	SCR, BUT HD SKT CAP (8-32 X .50) SHEAR	115	1	458144-9	PLATE, STRIP GUIDE	29
2	2-21002-3	SCR, BUT HD SKT CAP (8-32 X .62) R STRIP GUIDE	114	1	1-455888-2	SPACER, FRONT SHEAR DEPRESSOR	28
1	1-21002-7	SCR, BUT HD SKT CAP (6-32 X .38) CAM	112	1	1-22284-0	SPRING, DRAG	27
1	3-21000-4	SCR, SKT HD CAP (10-32 X .38) LUBRICATOR ASSY	111	1	240793-1	LEVER, DRAG RELEASE	26
2	23030-1	SCR, SKT HD CAP (6-32 X .25) (LOC-WEL) CP DISC	110	1	240792-1	DRAG, STOCK	25
1	2-21000-7	SCR, SKT HD CAP (10-32 X .75) FEED ROD GUIDE	109	1	5-690504-8	GUIDE STRIP (REAR)	24
2	2-21000-6	SCR, SKT HD CAP (10-32 X .62) FEED ADJ BLOCK	108	1	690438-1	GUIDE, STRIP (FRONT)	23
1	3-21000-4	SCR, SKT HD CAP (10-32 X .38) SG ADJ BLOCK	107	1			22
1	455755-3	GUARD ASSY	79	1	4-22284-9	SPRING, FEED RETURN	21
1	1-465184-0	LUBRICATOR ASSY	78	1	458950-1	ARM, STRIPPER	20
1	1-465184-0	OIL, LUBRICATING	77	1	458949-1	STRIPPER	19
1	458109-1	WASHER, SPECIAL	76	1	46965-1	HOLDER, TERMINAL	18
1	454877-3	PLATE, STRIP GUIDE COVER	75	1	690191-3	GUARD, CHIP (REAR)	17
2	690603-1	SPRING, ASSIST	74	1	5-22280-0	GUARD, CHIP (FRONT)	16
1	690517-1	SPACER	73	1	690459-1	PLATE, SHEAR (REAR)	15
1	22594-8	NUT, HEX	72	1	454276-2	HOLDER, SHEAR (FRONT)	14
1	240628-1	PLATE, ADJUSTMENT	71	1	690461-1	PLUG, NYLON	13
1	240626-1	SHAFT, PIVOT	70	1	5-22280-0	SPRING, SHEAR	12
1	240633-1	BUSHING	69	1	690461-1	STOP, SHEAR	11
1	455680-1	LEVER, INTERMEDIATE	68	1	690459-1	HOLDER, SHEAR (FRONT)	10
1	240629-1	BLOCK, PIVOT	67	1	454276-2	SHEAR, FLOAT (FRONT)	9
1	240632-2	SCREW, ADJUSTMENT FEED ROD	66	1	3-458834-9	ANVIL	8
1	240659-3	PIN, CAM ROLLER	65	1	815306-1	HOLDER, SETTING PIN	7
1	240658-1	ROLLER, CAM	64	1	815307-1	PIN, LANCE SETTING	6
1	454398-2	ROD, FEED	63	1	2-455889-2	DEPRESSOR, SHEAR (FRONT)	5
1	454178-1	GUIDE, FEED ROD	62	1	238011-2	SPACER, TUBULAR, INS CRIMPER	4
1			61	1	4-456135-9	CRIMPER, INSULATION	3
1			60	1	1-455888-0	SPACER, CRIMPER	2
1			59	1	458141-6	CRIMPER, WIRE	1

CRIMPING DATA				APPLICATOR WILL APPLY																																																																																																																																																																																																																																																																																																																																																																																																																	
PAD LTR	CRIMP HEIGHT	WIRE SIZE	WIRE STRIP LENGTH	530517																																																																																																																																																																																																																																																																																																																																																																																																																	
A	.086	14																																																																																																																																																																																																																																																																																																																																																																																																																			
B	.077	16																																																																																																																																																																																																																																																																																																																																																																																																																			
C	.072	15																																																																																																																																																																																																																																																																																																																																																																																																																			
D	NOT USED																																																																																																																																																																																																																																																																																																																																																																																																																				
CRIMP	SIZE	TYPE	FEED	APPL INST																																																																																																																																																																																																																																																																																																																																																																																																																	
WIRE	.110	"F"	.750	A1 8040																																																																																																																																																																																																																																																																																																																																																																																																																	
INSUL	.180	"O"																																																																																																																																																																																																																																																																																																																																																																																																																			
WIRE RANGE	18-14	INSULATION RANGE	0.70-.145	565435-5																																																																																																																																																																																																																																																																																																																																																																																																																	
REMARKS																																																																																																																																																																																																																																																																																																																																																																																																																					
AMP-O-LECTRIC PRE-FEED																																																																																																																																																																																																																																																																																																																																																																																																																					
I. D. PLATE (REF): 461264-1																																																																																																																																																																																																																																																																																																																																																																																																																					
<table border="1"> <tr> <td>REV</td> <td>DESCRIPTION</td> <td>DATE</td> <td>BY</td> </tr> <tr> <td>1</td> <td>REV PER R. 4987</td> <td>12-29-83</td> <td>DR</td> </tr> <tr> <td>2</td> <td>REV PER R. 4987</td> <td>12-29-83</td> <td>DR</td> </tr> <tr> <td>3</td> <td>REV PER R. 4987</td> <td>12-29-83</td> <td>DR</td> </tr> <tr> <td>4</td> <td>REV PER R. 4987</td> <td>12-29-83</td> <td>DR</td> </tr> <tr> <td>5</td> <td>REV PER R. 4987</td> <td>12-29-83</td> <td>DR</td> </tr> <tr> <td>6</td> <td>REV PER R. 4987</td> <td>12-29-83</td> <td>DR</td> </tr> <tr> <td>7</td> <td>REV PER R. 4987</td> <td>12-29-83</td> <td>DR</td> </tr> <tr> <td>8</td> <td>REV PER R. 4987</td> <td>12-29-83</td> <td>DR</td> </tr> <tr> <td>9</td> <td>REV PER R. 4987</td> <td>12-29-83</td> <td>DR</td> </tr> <tr> <td>10</td> <td>REV PER R. 4987</td> <td>12-29-83</td> <td>DR</td> </tr> <tr> <td>11</td> <td>REV PER R. 4987</td> <td>12-29-83</td> <td>DR</td> </tr> <tr> <td>12</td> <td>REV PER R. 4987</td> <td>12-29-83</td> <td>DR</td> </tr> <tr> <td>13</td> <td>REV PER R. 4987</td> <td>12-29-83</td> <td>DR</td> </tr> <tr> <td>14</td> <td>REV PER R. 4987</td> <td>12-29-83</td> <td>DR</td> </tr> <tr> <td>15</td> <td>REV PER R. 4987</td> <td>12-29-83</td> <td>DR</td> </tr> <tr> <td>16</td> <td>REV PER R. 4987</td> <td>12-29-83</td> <td>DR</td> </tr> <tr> <td>17</td> <td>REV PER R. 4987</td> <td>12-29-83</td> <td>DR</td> </tr> <tr> <td>18</td> <td>REV PER R. 4987</td> <td>12-29-83</td> <td>DR</td> </tr> <tr> <td>19</td> <td>REV PER R. 4987</td> <td>12-29-83</td> <td>DR</td> </tr> <tr> <td>20</td> <td>REV PER R. 4987</td> <td>12-29-83</td> <td>DR</td> </tr> <tr> <td>21</td> <td>REV PER R. 4987</td> <td>12-29-83</td> <td>DR</td> </tr> <tr> <td>22</td> <td>REV PER R. 4987</td> <td>12-29-83</td> <td>DR</td> </tr> <tr> <td>23</td> <td>REV PER R. 4987</td> <td>12-29-83</td> <td>DR</td> </tr> <tr> <td>24</td> <td>REV PER R. 4987</td> <td>12-29-83</td> <td>DR</td> </tr> <tr> <td>25</td> <td>REV PER R. 4987</td> <td>12-29-83</td> <td>DR</td> </tr> <tr> <td>26</td> <td>REV PER R. 4987</td> <td>12-29-83</td> <td>DR</td> </tr> <tr> <td>27</td> <td>REV PER R. 4987</td> <td>12-29-83</td> <td>DR</td> </tr> <tr> <td>28</td> <td>REV PER R. 4987</td> <td>12-29-83</td> <td>DR</td> </tr> <tr> <td>29</td> <td>REV PER R. 4987</td> <td>12-29-83</td> <td>DR</td> </tr> <tr> <td>30</td> <td>REV PER R. 4987</td> <td>12-29-83</td> <td>DR</td> </tr> <tr> <td>31</td> <td>REV PER R. 4987</td> <td>12-29-83</td> <td>DR</td> </tr> <tr> <td>32</td> <td>REV PER R. 4987</td> <td>12-29-83</td> <td>DR</td> </tr> <tr> <td>33</td> <td>REV PER R. 4987</td> <td>12-29-83</td> <td>DR</td> </tr> <tr> <td>34</td> <td>REV PER R. 4987</td> <td>12-29-83</td> <td>DR</td> </tr> <tr> <td>35</td> <td>REV PER R. 4987</td> <td>12-29-83</td> <td>DR</td> </tr> <tr> <td>36</td> <td>REV PER R. 4987</td> <td>12-29-83</td> <td>DR</td> </tr> <tr> <td>37</td> <td>REV PER R. 4987</td> <td>12-29-83</td> <td>DR</td> </tr> <tr> <td>38</td> <td>REV PER R. 4987</td> <td>12-29-83</td> <td>DR</td> </tr> <tr> <td>39</td> <td>REV PER R. 4987</td> <td>12-29-83</td> <td>DR</td> </tr> <tr> <td>40</td> <td>REV PER R. 4987</td> <td>12-29-83</td> <td>DR</td> </tr> <tr> <td>41</td> <td>REV PER R. 4987</td> <td>12-29-83</td> <td>DR</td> </tr> <tr> <td>42</td> <td>REV PER R. 4987</td> <td>12-29-83</td> <td>DR</td> </tr> <tr> <td>43</td> <td>REV PER R. 4987</td> <td>12-29-83</td> <td>DR</td> </tr> <tr> <td>44</td> <td>REV PER R. 4987</td> <td>12-29-83</td> <td>DR</td> </tr> <tr> <td>45</td> <td>REV PER R. 4987</td> <td>12-29-83</td> <td>DR</td> </tr> <tr> <td>46</td> <td>REV PER R. 4987</td> <td>12-29-83</td> <td>DR</td> </tr> <tr> <td>47</td> <td>REV PER R. 4987</td> <td>12-29-83</td> <td>DR</td> </tr> <tr> <td>48</td> <td>REV PER R. 4987</td> <td>12-29-83</td> <td>DR</td> </tr> <tr> <td>49</td> <td>REV PER R. 4987</td> <td>12-29-83</td> <td>DR</td> </tr> <tr> <td>50</td> <td>REV PER R. 4987</td> <td>12-29-83</td> <td>DR</td> </tr> <tr> <td>51</td> <td>REV PER R. 4987</td> <td>12-29-83</td> <td>DR</td> </tr> <tr> <td>52</td> <td>REV PER R. 4987</td> <td>12-29-83</td> <td>DR</td> </tr> <tr> <td>53</td> <td>REV PER R. 4987</td> <td>12-29-83</td> <td>DR</td> </tr> <tr> <td>54</td> <td>REV PER R. 4987</td> <td>12-29-83</td> <td>DR</td> </tr> <tr> <td>55</td> <td>REV PER R. 4987</td> <td>12-29-83</td> <td>DR</td> </tr> <tr> <td>56</td> <td>REV PER R. 4987</td> <td>12-29-83</td> <td>DR</td> </tr> <tr> <td>57</td> <td>REV PER R. 4987</td> <td>12-29-83</td> <td>DR</td> </tr> <tr> <td>58</td> <td>REV PER R. 4987</td> <td>12-29-83</td> <td>DR</td> </tr> <tr> <td>59</td> <td>REV PER R. 4987</td> <td>12-29-83</td> <td>DR</td> </tr> <tr> <td>60</td> <td>REV PER R. 4987</td> <td>12-29-83</td> <td>DR</td> </tr> <tr> <td>61</td> <td>REV PER R. 4987</td> <td>12-29-83</td> <td>DR</td> </tr> <tr> <td>62</td> <td>REV PER R. 4987</td> <td>12-29-83</td> <td>DR</td> </tr> <tr> <td>63</td> <td>REV PER R. 4987</td> <td>12-29-83</td> <td>DR</td> </tr> <tr> <td>64</td> <td>REV PER R. 4987</td> <td>12-29-83</td> <td>DR</td> </tr> <tr> <td>65</td> <td>REV PER R. 4987</td> <td>12-29-83</td> <td>DR</td> </tr> <tr> <td>66</td> <td>REV PER R. 4987</td> <td>12-29-83</td> <td>DR</td> </tr> <tr> <td>67</td> <td>REV PER R. 4987</td> <td>12-29-83</td> <td>DR</td> </tr> <tr> <td>68</td> <td>REV PER R. 4987</td> <td>12-29-83</td> <td>DR</td> </tr> <tr> <td>69</td> <td>REV PER R. 4987</td> <td>12-29-83</td> <td>DR</td> </tr> <tr> <td>70</td> <td>REV PER R. 4987</td> <td>12-29-83</td> <td>DR</td> </tr> <tr> <td>71</td> <td>REV PER R. 4987</td> <td>12-29-83</td> <td>DR</td> </tr> <tr> <td>72</td> <td>REV PER R. 4987</td> <td>12-29-83</td> <td>DR</td> </tr> <tr> <td>73</td> <td>REV PER R. 4987</td> <td>12-29-83</td> <td>DR</td> </tr> <tr> <td>74</td> <td>REV PER R. 4987</td> <td>12-29-83</td> <td>DR</td> </tr> <tr> <td>75</td> <td>REV PER R. 4987</td> <td>12-29-83</td> <td>DR</td> </tr> <tr> <td>76</td> <td>REV PER R. 4987</td> <td>12-29-83</td> <td>DR</td> </tr> <tr> <td>77</td> <td>REV PER R. 4987</td> <td>12-29-83</td> <td>DR</td> </tr> <tr> <td>78</td> <td>REV PER R. 4987</td> <td>12-29-83</td> <td>DR</td> </tr> <tr> <td>79</td> <td>REV PER R. 4987</td> <td>12-29-83</td> <td>DR</td> </tr> <tr> <td>80</td> <td>REV PER R. 4987</td> <td>12-29-83</td> <td>DR</td> </tr> <tr> <td>81</td> <td>REV PER R. 4987</td> <td>12-29-83</td> <td>DR</td> </tr> <tr> <td>82</td> <td>REV PER R. 4987</td> <td>12-29-83</td> <td>DR</td> </tr> <tr> <td>83</td> <td>REV PER R. 4987</td> <td>12-29-83</td> <td>DR</td> </tr> <tr> <td>84</td> <td>REV PER R. 4987</td> <td>12-29-83</td> <td>DR</td> </tr> <tr> <td>85</td> <td>REV PER R. 4987</td> <td>12-29-83</td> <td>DR</td> </tr> <tr> <td>86</td> <td>REV PER R. 4987</td> <td>12-29-83</td> <td>DR</td> </tr> <tr> <td>87</td> <td>REV PER R. 4987</td> <td>12-29-83</td> <td>DR</td> </tr> <tr> <td>88</td> <td>REV PER R. 4987</td> <td>12-29-83</td> <td>DR</td> </tr> <tr> <td>89</td> <td>REV PER R. 4987</td> <td>12-29-83</td> <td>DR</td> </tr> <tr> <td>90</td> <td>REV PER R. 4987</td> <td>12-29-83</td> <td>DR</td> </tr> <tr> <td>91</td> <td>REV PER R. 4987</td> <td>12-29-83</td> <td>DR</td> </tr> <tr> <td>92</td> <td>REV PER R. 4987</td> <td>12-29-83</td> <td>DR</td> </tr> <tr> <td>93</td> <td>REV PER R. 4987</td> <td>12-29-83</td> <td>DR</td> </tr> <tr> <td>94</td> <td>REV PER R. 4987</td> <td>12-29-83</td> <td>DR</td> </tr> <tr> <td>95</td> <td>REV PER R. 4987</td> <td>12-29-83</td> <td>DR</td> </tr> <tr> <td>96</td> <td>REV PER R. 4987</td> <td>12-29-83</td> <td>DR</td> </tr> <tr> <td>97</td> <td>REV PER R. 4987</td> <td>12-29-83</td> <td>DR</td> </tr> <tr> <td>98</td> <td>REV PER R. 4987</td> <td>12-29-83</td> <td>DR</td> </tr> <tr> <td>99</td> <td>REV PER R. 4987</td> <td>12-29-83</td> <td>DR</td> </tr> </table>						REV	DESCRIPTION	DATE	BY	1	REV PER R. 4987	12-29-83	DR	2	REV PER R. 4987	12-29-83	DR	3	REV PER R. 4987	12-29-83	DR	4	REV PER R. 4987	12-29-83	DR	5	REV PER R. 4987	12-29-83	DR	6	REV PER R. 4987	12-29-83	DR	7	REV PER R. 4987	12-29-83	DR	8	REV PER R. 4987	12-29-83	DR	9	REV PER R. 4987	12-29-83	DR	10	REV PER R. 4987	12-29-83	DR	11	REV PER R. 4987	12-29-83	DR	12	REV PER R. 4987	12-29-83	DR	13	REV PER R. 4987	12-29-83	DR	14	REV PER R. 4987	12-29-83	DR	15	REV PER R. 4987	12-29-83	DR	16	REV PER R. 4987	12-29-83	DR	17	REV PER R. 4987	12-29-83	DR	18	REV PER R. 4987	12-29-83	DR	19	REV PER R. 4987	12-29-83	DR	20	REV PER R. 4987	12-29-83	DR	21	REV PER R. 4987	12-29-83	DR	22	REV PER R. 4987	12-29-83	DR	23	REV PER R. 4987	12-29-83	DR	24	REV PER R. 4987	12-29-83	DR	25	REV PER R. 4987	12-29-83	DR	26	REV PER R. 4987	12-29-83	DR	27	REV PER R. 4987	12-29-83	DR	28	REV PER R. 4987	12-29-83	DR	29	REV PER R. 4987	12-29-83	DR	30	REV PER R. 4987	12-29-83	DR	31	REV PER R. 4987	12-29-83	DR	32	REV PER R. 4987	12-29-83	DR	33	REV PER R. 4987	12-29-83	DR	34	REV PER R. 4987	12-29-83	DR	35	REV PER R. 4987	12-29-83	DR	36	REV PER R. 4987	12-29-83	DR	37	REV PER R. 4987	12-29-83	DR	38	REV PER R. 4987	12-29-83	DR	39	REV PER R. 4987	12-29-83	DR	40	REV PER R. 4987	12-29-83	DR	41	REV PER R. 4987	12-29-83	DR	42	REV PER R. 4987	12-29-83	DR	43	REV PER R. 4987	12-29-83	DR	44	REV PER R. 4987	12-29-83	DR	45	REV PER R. 4987	12-29-83	DR	46	REV PER R. 4987	12-29-83	DR	47	REV PER R. 4987	12-29-83	DR	48	REV PER R. 4987	12-29-83	DR	49	REV PER R. 4987	12-29-83	DR	50	REV PER R. 4987	12-29-83	DR	51	REV PER R. 4987	12-29-83	DR	52	REV PER R. 4987	12-29-83	DR	53	REV PER R. 4987	12-29-83	DR	54	REV PER R. 4987	12-29-83	DR	55	REV PER R. 4987	12-29-83	DR	56	REV PER R. 4987	12-29-83	DR	57	REV PER R. 4987	12-29-83	DR	58	REV PER R. 4987	12-29-83	DR	59	REV PER R. 4987	12-29-83	DR	60	REV PER R. 4987	12-29-83	DR	61	REV PER R. 4987	12-29-83	DR	62	REV PER R. 4987	12-29-83	DR	63	REV PER R. 4987	12-29-83	DR	64	REV PER R. 4987	12-29-83	DR	65	REV PER R. 4987	12-29-83	DR	66	REV PER R. 4987	12-29-83	DR	67	REV PER R. 4987	12-29-83	DR	68	REV PER R. 4987	12-29-83	DR	69	REV PER R. 4987	12-29-83	DR	70	REV PER R. 4987	12-29-83	DR	71	REV PER R. 4987	12-29-83	DR	72	REV PER R. 4987	12-29-83	DR	73	REV PER R. 4987	12-29-83	DR	74	REV PER R. 4987	12-29-83	DR	75	REV PER R. 4987	12-29-83	DR	76	REV PER R. 4987	12-29-83	DR	77	REV PER R. 4987	12-29-83	DR	78	REV PER R. 4987	12-29-83	DR	79	REV PER R. 4987	12-29-83	DR	80	REV PER R. 4987	12-29-83	DR	81	REV PER R. 4987	12-29-83	DR	82	REV PER R. 4987	12-29-83	DR	83	REV PER R. 4987	12-29-83	DR	84	REV PER R. 4987	12-29-83	DR	85	REV PER R. 4987	12-29-83	DR	86	REV PER R. 4987	12-29-83	DR	87	REV PER R. 4987	12-29-83	DR	88	REV PER R. 4987	12-29-83	DR	89	REV PER R. 4987	12-29-83	DR	90	REV PER R. 4987	12-29-83	DR	91	REV PER R. 4987	12-29-83	DR	92	REV PER R. 4987	12-29-83	DR	93	REV PER R. 4987	12-29-83	DR	94	REV PER R. 4987	12-29-83	DR	95	REV PER R. 4987	12-29-83	DR	96	REV PER R. 4987	12-29-83	DR	97	REV PER R. 4987	12-29-83	DR	98	REV PER R. 4987	12-29-83	DR	99	REV PER R. 4987	12-29-83	DR
REV	DESCRIPTION	DATE	BY																																																																																																																																																																																																																																																																																																																																																																																																																		
1	REV PER R. 4987	12-29-83	DR																																																																																																																																																																																																																																																																																																																																																																																																																		
2	REV PER R. 4987	12-29-83	DR																																																																																																																																																																																																																																																																																																																																																																																																																		
3	REV PER R. 4987	12-29-83	DR																																																																																																																																																																																																																																																																																																																																																																																																																		
4	REV PER R. 4987	12-29-83	DR																																																																																																																																																																																																																																																																																																																																																																																																																		
5	REV PER R. 4987	12-29-83	DR																																																																																																																																																																																																																																																																																																																																																																																																																		
6	REV PER R. 4987	12-29-83	DR																																																																																																																																																																																																																																																																																																																																																																																																																		
7	REV PER R. 4987	12-29-83	DR																																																																																																																																																																																																																																																																																																																																																																																																																		
8	REV PER R. 4987	12-29-83	DR																																																																																																																																																																																																																																																																																																																																																																																																																		
9	REV PER R. 4987	12-29-83	DR																																																																																																																																																																																																																																																																																																																																																																																																																		
10	REV PER R. 4987	12-29-83	DR																																																																																																																																																																																																																																																																																																																																																																																																																		
11	REV PER R. 4987	12-29-83	DR																																																																																																																																																																																																																																																																																																																																																																																																																		
12	REV PER R. 4987	12-29-83	DR																																																																																																																																																																																																																																																																																																																																																																																																																		
13	REV PER R. 4987	12-29-83	DR																																																																																																																																																																																																																																																																																																																																																																																																																		
14	REV PER R. 4987	12-29-83	DR																																																																																																																																																																																																																																																																																																																																																																																																																		
15	REV PER R. 4987	12-29-83	DR																																																																																																																																																																																																																																																																																																																																																																																																																		
16	REV PER R. 4987	12-29-83	DR																																																																																																																																																																																																																																																																																																																																																																																																																		
17	REV PER R. 4987	12-29-83	DR																																																																																																																																																																																																																																																																																																																																																																																																																		
18	REV PER R. 4987	12-29-83	DR																																																																																																																																																																																																																																																																																																																																																																																																																		
19	REV PER R. 4987	12-29-83	DR																																																																																																																																																																																																																																																																																																																																																																																																																		
20	REV PER R. 4987	12-29-83	DR																																																																																																																																																																																																																																																																																																																																																																																																																		
21	REV PER R. 4987	12-29-83	DR																																																																																																																																																																																																																																																																																																																																																																																																																		
22	REV PER R. 4987	12-29-83	DR																																																																																																																																																																																																																																																																																																																																																																																																																		
23	REV PER R. 4987	12-29-83	DR																																																																																																																																																																																																																																																																																																																																																																																																																		
24	REV PER R. 4987	12-29-83	DR																																																																																																																																																																																																																																																																																																																																																																																																																		
25	REV PER R. 4987	12-29-83	DR																																																																																																																																																																																																																																																																																																																																																																																																																		
26	REV PER R. 4987	12-29-83	DR																																																																																																																																																																																																																																																																																																																																																																																																																		
27	REV PER R. 4987	12-29-83	DR																																																																																																																																																																																																																																																																																																																																																																																																																		
28	REV PER R. 4987	12-29-83	DR																																																																																																																																																																																																																																																																																																																																																																																																																		
29	REV PER R. 4987	12-29-83	DR																																																																																																																																																																																																																																																																																																																																																																																																																		
30	REV PER R. 4987	12-29-83	DR																																																																																																																																																																																																																																																																																																																																																																																																																		
31	REV PER R. 4987	12-29-83	DR																																																																																																																																																																																																																																																																																																																																																																																																																		
32	REV PER R. 4987	12-29-83	DR																																																																																																																																																																																																																																																																																																																																																																																																																		
33	REV PER R. 4987	12-29-83	DR																																																																																																																																																																																																																																																																																																																																																																																																																		
34	REV PER R. 4987	12-29-83	DR																																																																																																																																																																																																																																																																																																																																																																																																																		
35	REV PER R. 4987	12-29-83	DR																																																																																																																																																																																																																																																																																																																																																																																																																		
36	REV PER R. 4987	12-29-83	DR																																																																																																																																																																																																																																																																																																																																																																																																																		
37	REV PER R. 4987	12-29-83	DR																																																																																																																																																																																																																																																																																																																																																																																																																		
38	REV PER R. 4987	12-29-83	DR																																																																																																																																																																																																																																																																																																																																																																																																																		
39	REV PER R. 4987	12-29-83	DR																																																																																																																																																																																																																																																																																																																																																																																																																		
40	REV PER R. 4987	12-29-83	DR																																																																																																																																																																																																																																																																																																																																																																																																																		
41	REV PER R. 4987	12-29-83	DR																																																																																																																																																																																																																																																																																																																																																																																																																		
42	REV PER R. 4987	12-29-83	DR																																																																																																																																																																																																																																																																																																																																																																																																																		
43	REV PER R. 4987	12-29-83	DR																																																																																																																																																																																																																																																																																																																																																																																																																		
44	REV PER R. 4987	12-29-83	DR																																																																																																																																																																																																																																																																																																																																																																																																																		
45	REV PER R. 4987	12-29-83	DR																																																																																																																																																																																																																																																																																																																																																																																																																		
46	REV PER R. 4987	12-29-83	DR																																																																																																																																																																																																																																																																																																																																																																																																																		
47	REV PER R. 4987	12-29-83	DR																																																																																																																																																																																																																																																																																																																																																																																																																		
48	REV PER R. 4987	12-29-83	DR																																																																																																																																																																																																																																																																																																																																																																																																																		
49	REV PER R. 4987	12-29-83	DR																																																																																																																																																																																																																																																																																																																																																																																																																		
50	REV PER R. 4987	12-29-83	DR																																																																																																																																																																																																																																																																																																																																																																																																																		
51	REV PER R. 4987	12-29-83	DR																																																																																																																																																																																																																																																																																																																																																																																																																		
52	REV PER R. 4987	12-29-83	DR																																																																																																																																																																																																																																																																																																																																																																																																																		
53	REV PER R. 4987	12-29-83	DR																																																																																																																																																																																																																																																																																																																																																																																																																		
54	REV PER R. 4987	12-29-83	DR																																																																																																																																																																																																																																																																																																																																																																																																																		
55	REV PER R. 4987	12-29-83	DR																																																																																																																																																																																																																																																																																																																																																																																																																		
56	REV PER R. 4987	12-29-83	DR																																																																																																																																																																																																																																																																																																																																																																																																																		
57	REV PER R. 4987	12-29-83	DR																																																																																																																																																																																																																																																																																																																																																																																																																		
58	REV PER R. 4987	12-29-83	DR																																																																																																																																																																																																																																																																																																																																																																																																																		
59	REV PER R. 4987	12-29-83	DR																																																																																																																																																																																																																																																																																																																																																																																																																		
60	REV PER R. 4987	12-29-83	DR																																																																																																																																																																																																																																																																																																																																																																																																																		
61	REV PER R. 4987	12-29-83	DR																																																																																																																																																																																																																																																																																																																																																																																																																		
62	REV PER R. 4987	12-29-83	DR																																																																																																																																																																																																																																																																																																																																																																																																																		
63	REV PER R. 4987	12-29-83	DR																																																																																																																																																																																																																																																																																																																																																																																																																		
64	REV PER R. 4987	12-29-83	DR																																																																																																																																																																																																																																																																																																																																																																																																																		
65	REV PER R. 4987	12-29-83	DR																																																																																																																																																																																																																																																																																																																																																																																																																		
66	REV PER R. 4987	12-29-83	DR																																																																																																																																																																																																																																																																																																																																																																																																																		
67	REV PER R. 4987	12-29-83	DR																																																																																																																																																																																																																																																																																																																																																																																																																		
68	REV PER R. 4987	12-29-83	DR																																																																																																																																																																																																																																																																																																																																																																																																																		
69	REV PER R. 4987	12-29-83	DR																																																																																																																																																																																																																																																																																																																																																																																																																		
70	REV PER R. 4987	12-29-83	DR																																																																																																																																																																																																																																																																																																																																																																																																																		
71	REV PER R. 4987	12-29-83	DR																																																																																																																																																																																																																																																																																																																																																																																																																		
72	REV PER R. 4987	12-29-83	DR																																																																																																																																																																																																																																																																																																																																																																																																																		
73	REV PER R. 4987	12-29-83	DR																																																																																																																																																																																																																																																																																																																																																																																																																		
74	REV PER R. 4987	12-29-83	DR																																																																																																																																																																																																																																																																																																																																																																																																																		
75	REV PER R. 4987	12-29-83	DR																																																																																																																																																																																																																																																																																																																																																																																																																		
76	REV PER R. 4987	12-29-83	DR																																																																																																																																																																																																																																																																																																																																																																																																																		
77	REV PER R. 4987	12-29-83	DR																																																																																																																																																																																																																																																																																																																																																																																																																		
78	REV PER R. 4987	12-29-83	DR																																																																																																																																																																																																																																																																																																																																																																																																																		
79	REV PER R. 4987	12-29-83	DR																																																																																																																																																																																																																																																																																																																																																																																																																		
80	REV PER R. 4987	12-29-83	DR																																																																																																																																																																																																																																																																																																																																																																																																																		
81	REV PER R. 4987	12-29-83	DR																																																																																																																																																																																																																																																																																																																																																																																																																		
82	REV PER R. 4987	12-29-83	DR																																																																																																																																																																																																																																																																																																																																																																																																																		
83	REV PER R. 4987	12-29-83	DR																																																																																																																																																																																																																																																																																																																																																																																																																		
84	REV PER R. 4987	12-29-83	DR																																																																																																																																																																																																																																																																																																																																																																																																																		
85	REV PER R. 4987	12-29-83	DR																																																																																																																																																																																																																																																																																																																																																																																																																		
86	REV PER R. 4987	12-29-83	DR																																																																																																																																																																																																																																																																																																																																																																																																																		
87	REV PER R. 4987	12-29-83	DR																																																																																																																																																																																																																																																																																																																																																																																																																		
88	REV PER R. 4987	12-29-83	DR																																																																																																																																																																																																																																																																																																																																																																																																																		
89	REV PER R. 4987	12-29-83	DR																																																																																																																																																																																																																																																																																																																																																																																																																		
90	REV PER R. 4987	12-29-83	DR																																																																																																																																																																																																																																																																																																																																																																																																																		
91	REV PER R. 4987	12-29-83	DR																																																																																																																																																																																																																																																																																																																																																																																																																		
92	REV PER R. 4987	12-29-83	DR																																																																																																																																																																																																																																																																																																																																																																																																																		
93	REV PER R. 4987	12-29-83	DR																																																																																																																																																																																																																																																																																																																																																																																																																		
94	REV PER R. 4987	12-29-83	DR																																																																																																																																																																																																																																																																																																																																																																																																																		
95	REV PER R. 4987	12-29-83	DR																																																																																																																																																																																																																																																																																																																																																																																																																		
96	REV PER R. 4987	12-29-83	DR																																																																																																																																																																																																																																																																																																																																																																																																																		
97	REV PER R. 4987	12-29-83	DR																																																																																																																																																																																																																																																																																																																																																																																																																		
98	REV PER R. 4987	12-29-83	DR																																																																																																																																																																																																																																																																																																																																																																																																																		
99	REV PER R. 4987	12-29-83	DR																																																																																																																																																																																																																																																																																																																																																																																																																		

Компания «Life Electronics» занимается поставками электронных компонентов импортного и отечественного производства от производителей и со складов крупных дистрибьюторов Европы, Америки и Азии.

С конца 2013 года компания активно расширяет линейку поставок компонентов по направлению коаксиальный кабель, кварцевые генераторы и конденсаторы (керамические, пленочные, электролитические), за счёт заключения дистрибьюторских договоров

Мы предлагаем:

- Конкурентоспособные цены и скидки постоянным клиентам.
- Специальные условия для постоянных клиентов.
- Подбор аналогов.
- Поставку компонентов в любых объемах, удовлетворяющих вашим потребностям.
- Приемлемые сроки поставки, возможна ускоренная поставка.
- Доставку товара в любую точку России и стран СНГ.
- Комплексную поставку.
- Работу по проектам и поставку образцов.
- Формирование склада под заказчика.
- Сертификаты соответствия на поставляемую продукцию (по желанию клиента).
- Тестирование поставляемой продукции.
- Поставку компонентов, требующих военную и космическую приемку.
- Входной контроль качества.
- Наличие сертификата ISO.

В составе нашей компании организован Конструкторский отдел, призванный помогать разработчикам, и инженерам.

Конструкторский отдел помогает осуществить:

- Регистрацию проекта у производителя компонентов.
- Техническую поддержку проекта.
- Защиту от снятия компонента с производства.
- Оценку стоимости проекта по компонентам.
- Изготовление тестовой платы монтаж и пусконаладочные работы.



Тел: +7 (812) 336 43 04 (многоканальный)
Email: org@lifeelectronics.ru