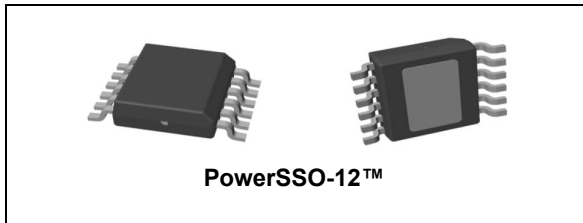


## Dual high side smart power solid state relay

Datasheet - production data



### Features

- Nominal current: 0.5 A per channel
- Shorted-load protections
- Junction overtemperature protection
- Case overtemperature protection for thermal independence of the channels
- Thermal case shutdown restart not simultaneous for the various channels
- Protection against loss of ground
- Current limitation 1 A per channel
- Undervoltage shutdown
- Open-load in off-state and short to  $V_{CC}$  detection
- Open-drain diagnostic outputs
- 3.3 V CMOS/TTL compatible inputs
- Fast demagnetization of inductive loads
- Conforms to IEC 61131-2

### Description

The VNI2140J is a monolithic device designed using STMicroelectronics' VIPower technology. The device drives two independent resistive or inductive loads with one side connected to ground. Active current limitation prevents a drop in system power supply in cases of shorted-load, and built-in thermal shutdown protects the chip from damage due to overtemperature and short-circuit. In overload conditions, channel turns OFF and ON automatically to maintain the junction temperature between TTSD and TR. If the case temperature reaches TCSD, the overloaded channel is turned OFF and restarts only when case temperature decreases down to TCR. In order to avoid high-peak current from the supply, when more than one channel is overloaded the TCSD restart is not simultaneous. Non overloaded channels continue to operate normally. The open-drain diagnostics output indicates overtemperature conditions and open-load in off state.

**Table 1. Device summary**

Order codes	Package	Packaging
VNI2140J	PowerSSO-12™	Tube
VNI2140JTR		Tape and reel

**Table 2. Main features**

Type	$V_{\text{demag}}^{(1)}$	$R_{\text{Dson}}^{(1)}$	$I_{\text{out}}^{(1)}$	$V_{\text{CC}}$
VNI2140J	$V_{\text{CC}} - 45 \text{ V}$	$0.08 \Omega$	$1 \text{ A}^{(2)}$	45 V

1. Per channel.

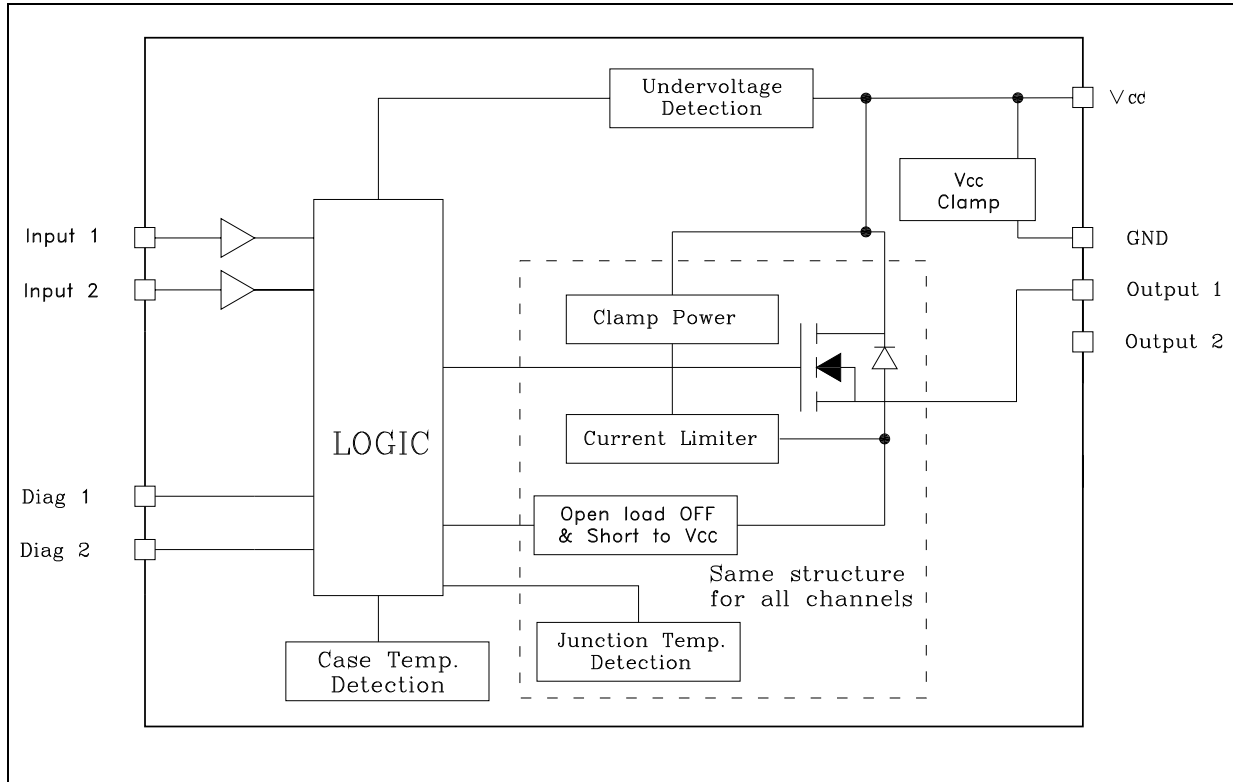
2. Current limitation.

# Contents

<b>1</b>	<b>Block diagram</b> .....	<b>3</b>
<b>2</b>	<b>Pin connections</b> .....	<b>4</b>
<b>3</b>	<b>Maximum ratings</b> .....	<b>5</b>
	Thermal data .....	5
<b>4</b>	<b>Electrical characteristics</b> .....	<b>6</b>
<b>5</b>	<b>Truth table</b> .....	<b>9</b>
<b>6</b>	<b>Switching waveforms</b> .....	<b>10</b>
<b>7</b>	<b>Open-load</b> .....	<b>13</b>
<b>8</b>	<b>Package and PCB thermal data</b> .....	<b>15</b>
<b>9</b>	<b>Reverse polarity protection</b> .....	<b>17</b>
<b>10</b>	<b>Package information</b> .....	<b>18</b>
	10.1 PowerSSO-12 package information .....	18
<b>11</b>	<b>Revision history</b> .....	<b>21</b>

# 1 Block diagram

Figure 1. Block diagram



## 2 Pin connections

Figure 2. Pin connections (top view)

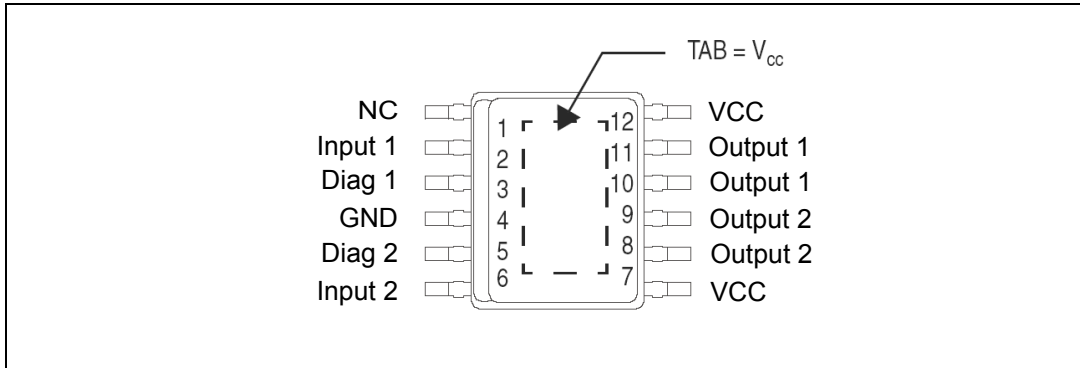


Table 3. Pin description

No.	Name	Description
1	NC	Not connected
2	Input 1	Channel 1 input 3.3 V CMOS/TTL compatible
3	Diag 1	Channel 1 diagnostic in open-drain configuration
4	GND	Device ground connection
5	Diag 2	Channel 2 diagnostic in open-drain configuration
6	Input 2	Channel 2 input 3.3 V CMOS/TTL compatible
7	VCC	Supply voltage
8	Output 2	Channel 2 power stage output, internally protected
9	Output 2	Channel 2 power stage output, internally protected
10	Output 1	Channel 1 power stage output, internally protected
11	Output 1	Channel 1 power stage output, internally protected
12	VCC	Supply voltage
TAB	TAB	Supply voltage

### 3 Maximum ratings

**Table 4. Absolute maximum ratings**

Symbol	Parameter	Value	Unit
$V_{CC}$	Power supply voltage	45	V
$-V_{CC}$	Reverse supply voltage	-0.3	V
$I_{GND}$	DC ground reverse current	-250	mA
$I_{OUT}$	Output current (continuous)	Internally limited	A
$I_R$	Reverse output current (per channel)	-5	A
$I_{IN}$	Input current (per channel)	$\pm 10$	mA
$V_{IN}$	Input voltage	$+V_{CC}$	V
$V_{DIAG}$	Diag pin voltage	$+V_{CC}$	V
$I_{DIAG}$	Diag pin current	$\pm 10$	mA
$V_{ESD}$	Electrostatic discharge (R = 1.5 k $\Omega$ ; C = 100 pF)	2000	V
$E_{AS}$	Single pulse avalanche energy per channel, all channels driven simultaneously at $T_{amb} = 125\text{ }^{\circ}\text{C}$ , $I_{OUT} = 1\text{ A}$	300	mJ
$P_{TOT}$	Power dissipation at $T_c = 25\text{ }^{\circ}\text{C}$	Internally limited	W
$T_J$	Junction operating temperature	Internally limited	$^{\circ}\text{C}$
$T_{STG}$	Storage temperature	-55 to 150	$^{\circ}\text{C}$

### Thermal data

**Table 5. Thermal data**

Symbol	Parameter	Value	Unit
$R_{th(JC)}$	Thermal resistance junction to case <sup>(1)</sup>	Max. 1	$^{\circ}\text{C}/\text{W}$
$R_{th(JA)}$	Thermal resistance junction to ambient <sup>(2)</sup>	Max. See <a href="#">Figure 11 on page 15</a>	$^{\circ}\text{C}/\text{W}$

1. Per channel.

2. When mounted using minimum recommended pad size on FR-4 board.

## 4 Electrical characteristics

9 V < V<sub>CC</sub> < 36 V; -40 °C < T<sub>J</sub> < 125 °C; unless otherwise specified.

**Table 6. Power section**

Symbol	Parameter	Test conditions	Min.	Typ.	Max.	Unit
V <sub>CC</sub>	Supply voltage		9	-	45	V
R <sub>DS(ON)</sub>	On-state resistance	I <sub>OUT</sub> = 0.5 A at T <sub>J</sub> = 25 °C I <sub>OUT</sub> = 0.5 A	-	0.080	0.150	Ω Ω
V <sub>CLAMP</sub>	Clamp voltage	I <sub>S</sub> = 20 mA	45	-	52	V
I <sub>S</sub>	Supply current	All channel in off-state On-state with V <sub>IN</sub> = 5 V (T <sub>J</sub> = 125 °C)	-	300 1.9	4	μA mA
I <sub>LGND</sub>	Output current at turn-off	V <sub>CC</sub> = V <sub>DIAG</sub> = V <sub>IN</sub> = V <sub>GND</sub> = 24 V, V <sub>OUT</sub> = 0 V	-	-	1	mA
V <sub>OUT(OFF)</sub>	Off-state output voltage	V <sub>IN</sub> = 0 V and I <sub>OUT</sub> = 0 A	-	-	3	V
I <sub>OUT(OFF)</sub>	OFF-state output current	V <sub>IN</sub> = V <sub>OUT</sub> = 0 V	0	-	5	μA
I <sub>OUT(OFF1)</sub>		V <sub>IN</sub> = 0 V; V <sub>OUT</sub> = 4 V	-35	-	0	μA

**Table 7. Timing (V<sub>CC</sub> = 24 V, R<sub>LOAD</sub> = 48 Ω)**

Symbol	Parameter	Test conditions	Min.	Typ.	Max.	Unit
t <sub>d(ON)</sub>	Turn-on delay time of output current	I <sub>OUT</sub> = 0.5 A, resistive load Input rise time < 0.1 μs, T <sub>J</sub> = 25 °C	-	8	-	μs
t <sub>r</sub>	Rise time of output current	I <sub>OUT</sub> = 0.5 A, resistive load Input rise time < 0.1 μs, T <sub>J</sub> = 25 °C	-	15	-	μs
t <sub>d(ON)</sub> + t <sub>r</sub>	Turn-on response	I <sub>OUT</sub> = 0.5 A, resistive load Input rise time < 0.1 μs, T <sub>J</sub> = 25 °C	-	-	35	μs
t <sub>d(OFF)</sub>	Turn-off delay time of output current	I <sub>OUT</sub> = 0.5 A, resistive load Input rise time < 0.1 μs, T <sub>J</sub> = 25 °C	-	10	-	μs
t <sub>f</sub>	Fall time of output current	I <sub>OUT</sub> = 0.5 A, resistive load Input rise time < 0.1 μs, T <sub>J</sub> = 25 °C	-	7	-	μs
t <sub>d(OFF)</sub> + t <sub>f</sub>	Turn-off response	I <sub>OUT</sub> = 0.5 A, resistive load Input rise time < 0.1 μs, T <sub>J</sub> = 25 °C	-	-	40	μs
t <sub>DOL</sub>	Delay time for open-load detection	-	-	500	-	μs
dV/dt <sub>(ON)</sub>	Turn ON voltage slope	-	-	3	-	V/μs
dV/dt <sub>(off)</sub>	Turn OFF voltage slope	-	-	4	-	V/μs

Table 8. Logical input

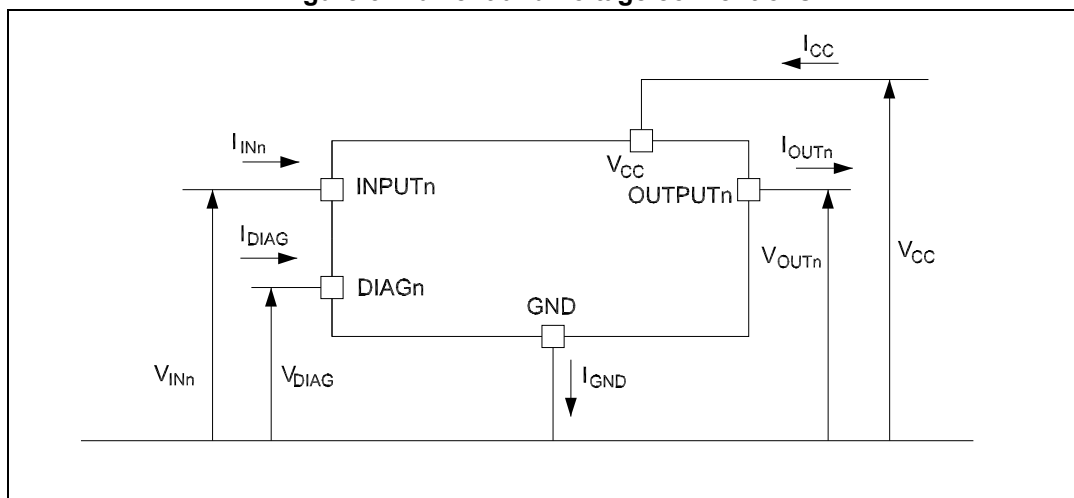
Symbol	Parameter	Test conditions	Min.	Typ.	Max.	Unit
$V_{IL}$	Input low level voltage	-	-	-	0.8	V
$V_{IH}$	Input high level voltage	-	2.20	-	-	V
$V_{I(HYST)}$	Input hysteresis voltage	-	-	0.15	-	V
$I_{IN}$	Input current	$V_{IN} = 15\text{ V}$	-	-	10	$\mu\text{A}$
		$V_{IN} = 36\text{ V}$	-	-	210	

Table 9. Protection and diagnostic

Symbol	Parameter	Test conditions	Min.	Typ.	Max.	Unit
$V_{DIAG}^{(1)}$	Diag voltage output low	$I_{DIAG} = 1.5\text{ mA}$ (fault condition)	-	-	0.6	V
$V_{USD}$	Undervoltage protection	-	7	-	9	V
$V_{USDHYS}$	Undervoltage hysteresis	-	0.4	0.5	-	V
$I_{LIM}$	DC short-circuit current	$V_{CC} = 24\text{ V}; R_{LOAD} < 10\text{ m}\Omega$	1	-	2	A
$I_{LDIAG}$	Diag leakage current	$V_{CC} = 32\text{ V}$	-	30	-	$\mu\text{A}$
$V_{OL}$	Open-load off-state voltage detection threshold	$V_{IN} = 0\text{ V}$	2	3	4	V
$T_{TSD}$	Junction shutdown temperature	-	150	170	-	$^{\circ}\text{C}$
$T_R$	Junction reset temperature	-	135	155	200	$^{\circ}\text{C}$
$T_{HIST}$	Junction thermal hysteresis	-	7	15	-	$^{\circ}\text{C}$
$T_{CSD}$	Case shutdown temperature	-	125	130	135	$^{\circ}\text{C}$
$T_{CR}$	Case reset temperature	-	110	-	-	$^{\circ}\text{C}$
$T_{CHYST}$	Case thermal hysteresis	-	7	15	-	$^{\circ}\text{C}$
$V_{demag}$	Output voltage at turn-OFF	$I_{OUT} = 0.5\text{ A}; L_{LOAD} \geq 1\text{ mH}$	$V_{CC} - 45$	$V_{CC} - 50$	$V_{CC} - 52$	V

1. Diag determination > 100 ms after the switching edge.

Figure 3. Current and voltage conventions





## 5 Truth table

Table 10. Truth table

IC condition	INPUTn	OUTPUTn	DIAGn
Normal operation	L	L	H
	H	H	H
Overtemperature	L	L	H
	H	L	L
Undervoltage	L	L	X
	H	L	X
Shorted-load (current limitation)	L	L	H
	H	X	H
Output voltage > $V_{OL}$	L	Z <sup>(1)</sup>	L
	H	H	H
Short to $V_{CC}$	L	H	L
	H	H	H

1. Z = depending on the external circuit.

# 6 Switching waveforms

Figure 4. Switching waveforms

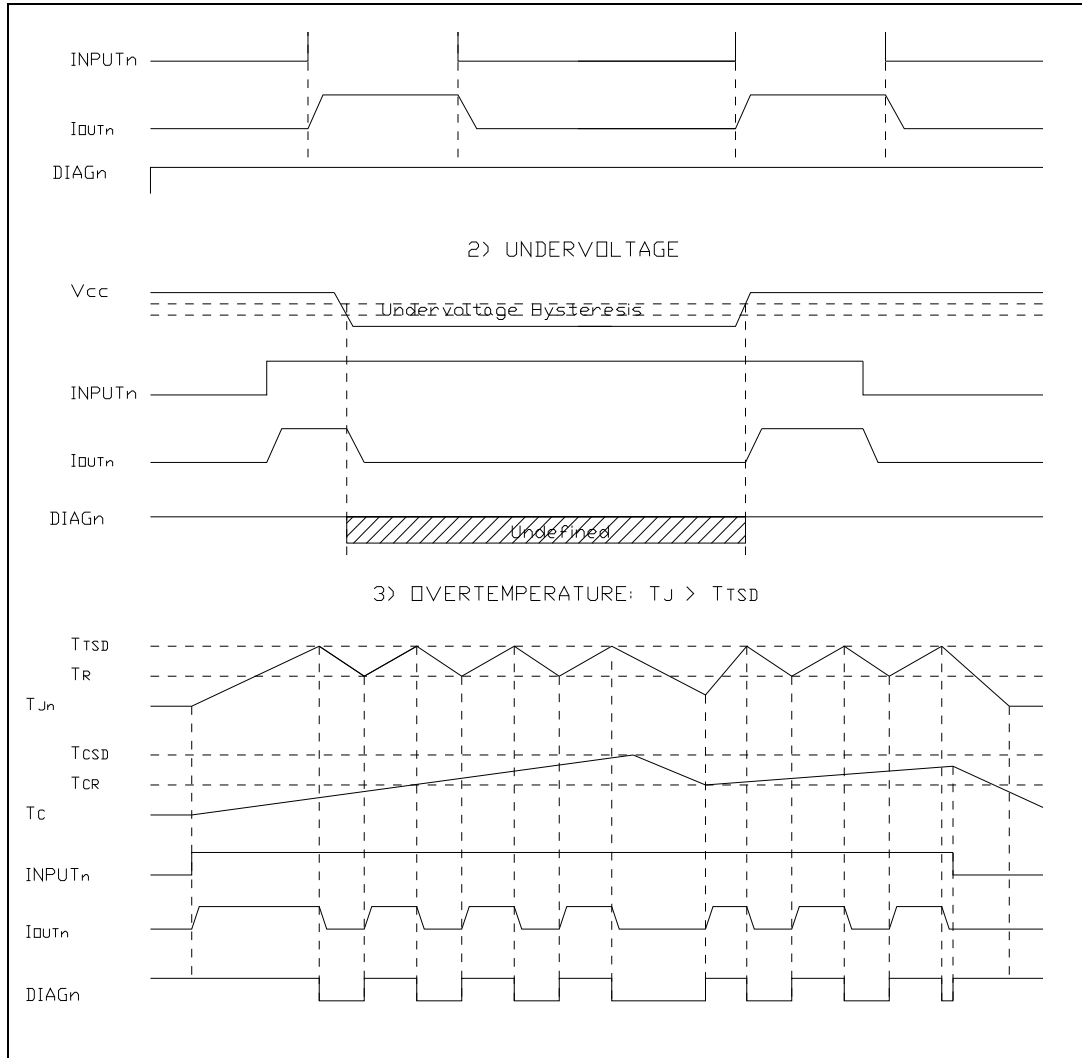


Figure 5. Switching waveforms (continued)

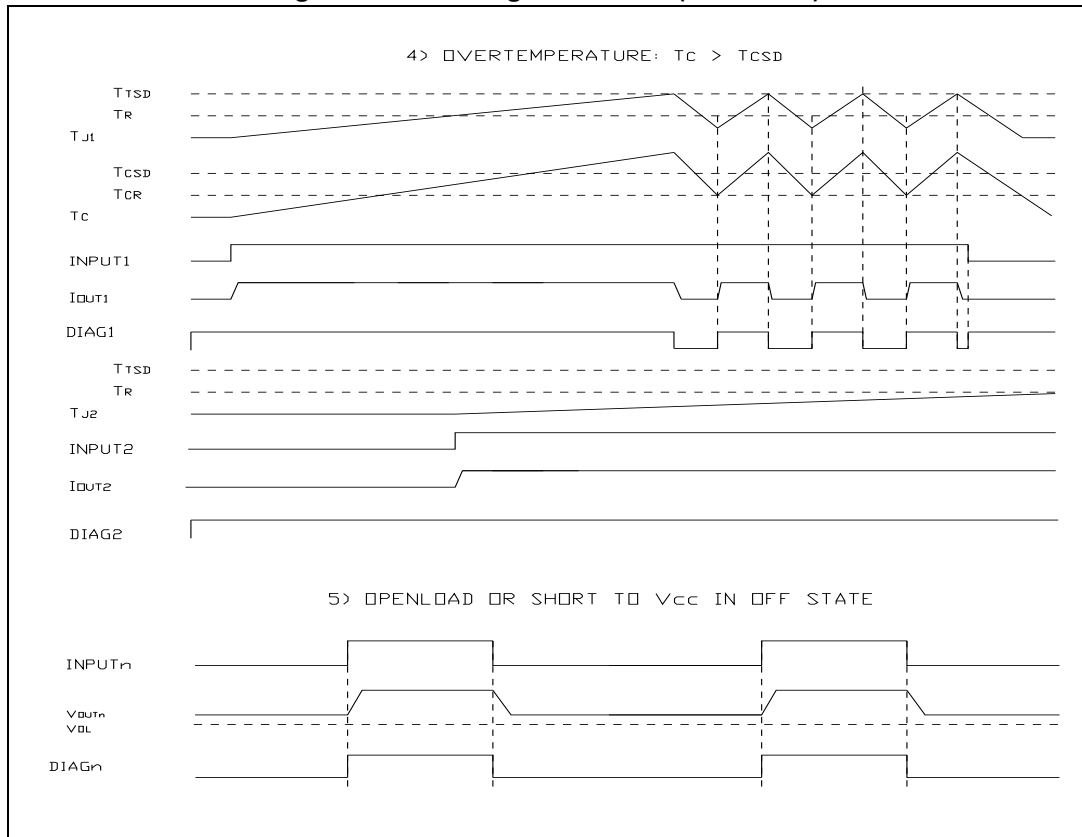


Figure 6. Switching parameter test conditions

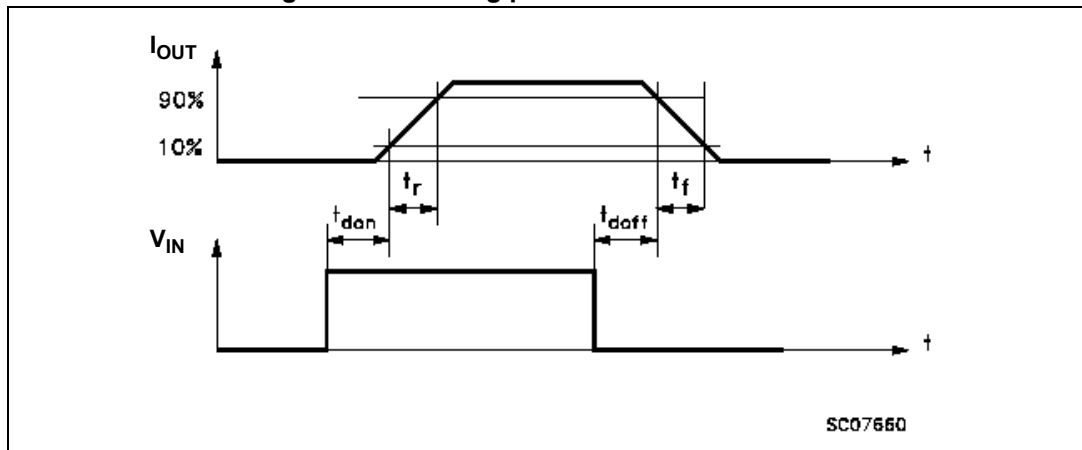
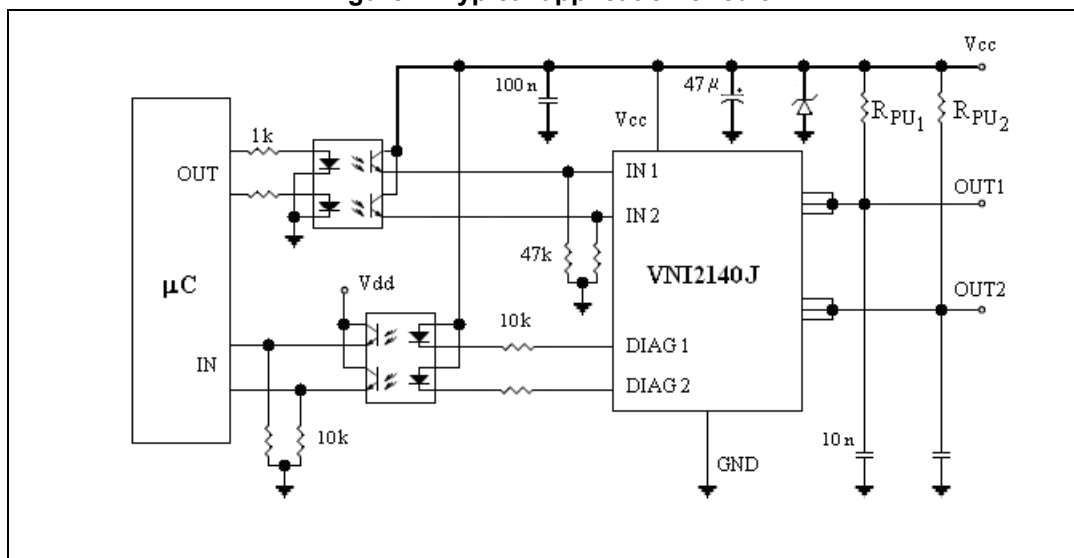


Figure 7. Typical application circuit



## 7 Open-load

In order to detect the open-load fault a pull-up resistor must be connected between the  $V_{CC}$  line and the output pin.

In a normal condition a current flows through the network made up of a pull-up resistor and a load. The voltage across the load is less than  $V_{OLMIN}$ ; so the diag pin is kept high.

This is the result in the condition:

### Equation 1

$$V_{CC} \frac{R_{LOAD}}{R_{LOAD} + R_{PU}} < V_{OLMIN}$$

or

### Equation 2

$$\left( \frac{V_{CC}}{V_{OLMIN}} - 1 \right) \cdot R_{LOAD} < R_{PU}$$

When a open-load event occurs the voltage on the output pin rises to a value higher than  $V_{OLMAX}$  (depending on the pull-up resistor). The diag pin will go down.

This result in the condition:

### Equation 3

$$R_{PU} < \frac{V_{CC} - V_{OLMAX}}{|I_{OUT(OFF1)MIN}|}$$

Figure 8. Open-load detection

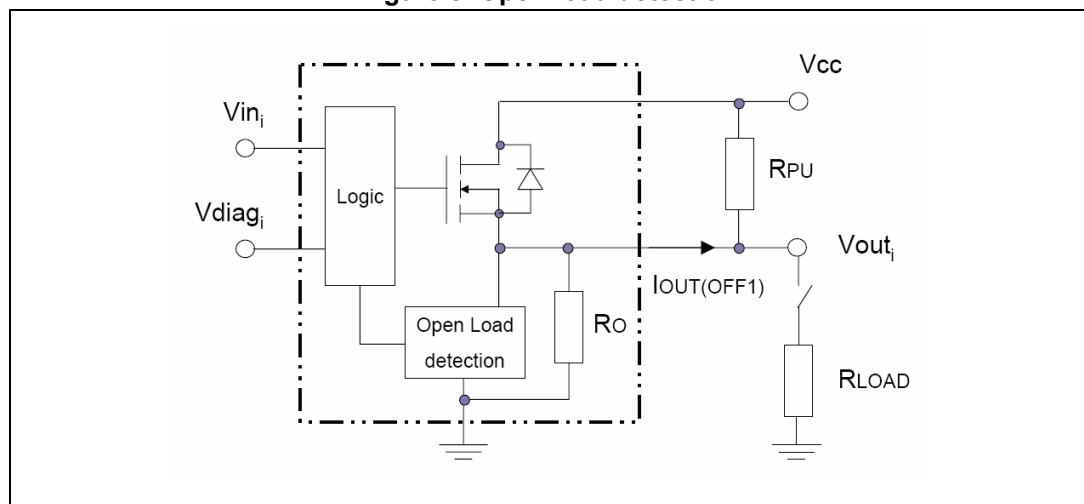
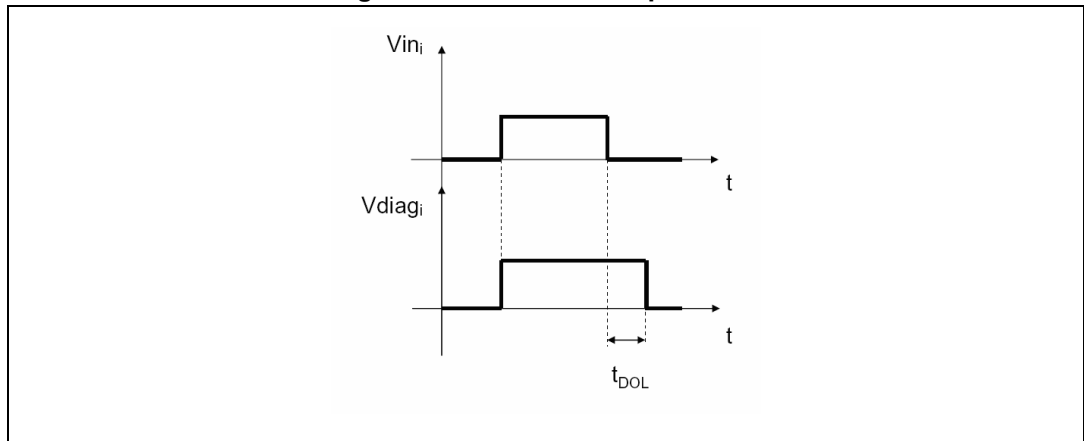


Figure 9. Turn-on/off to open-load



# 8 Package and PCB thermal data

Figure 10. PowerSSO-12 PC board

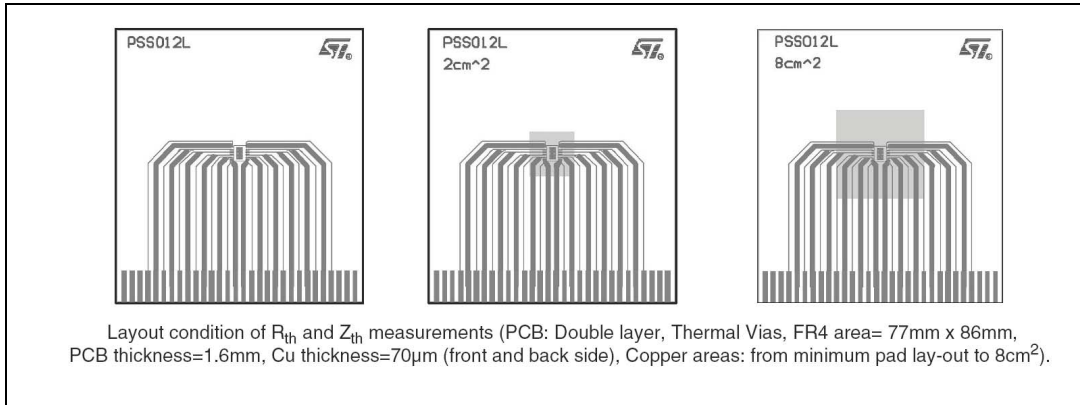


Figure 11.  $R_{thJA}$  vs PCB copper area in open box free air condition

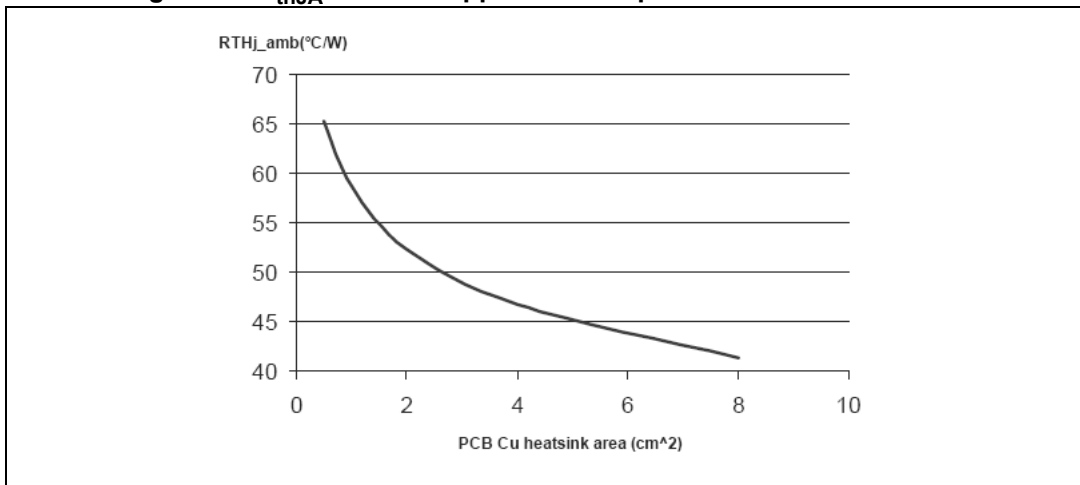
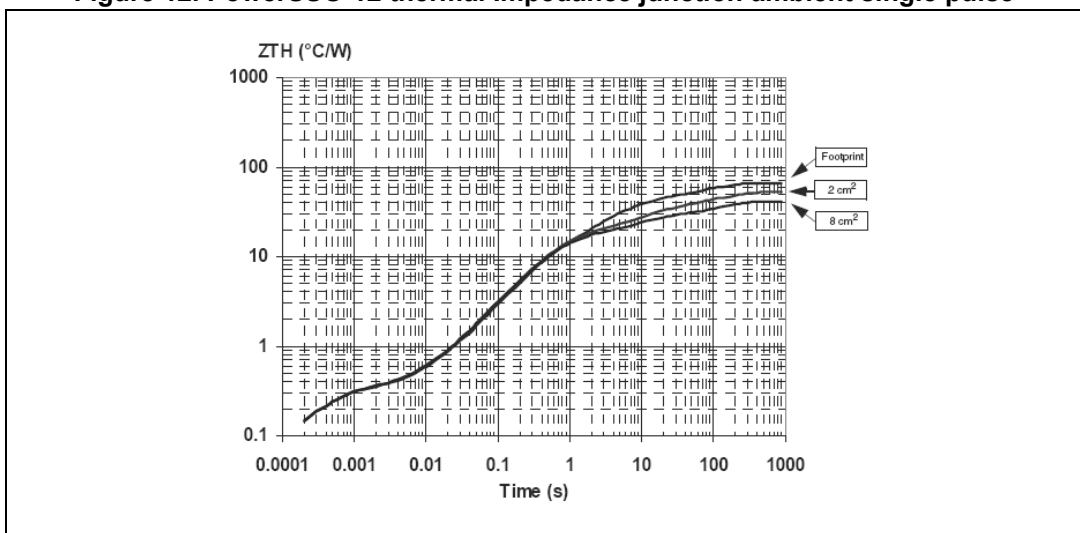


Figure 12. PowerSSO-12 thermal Impedance junction ambient single pulse



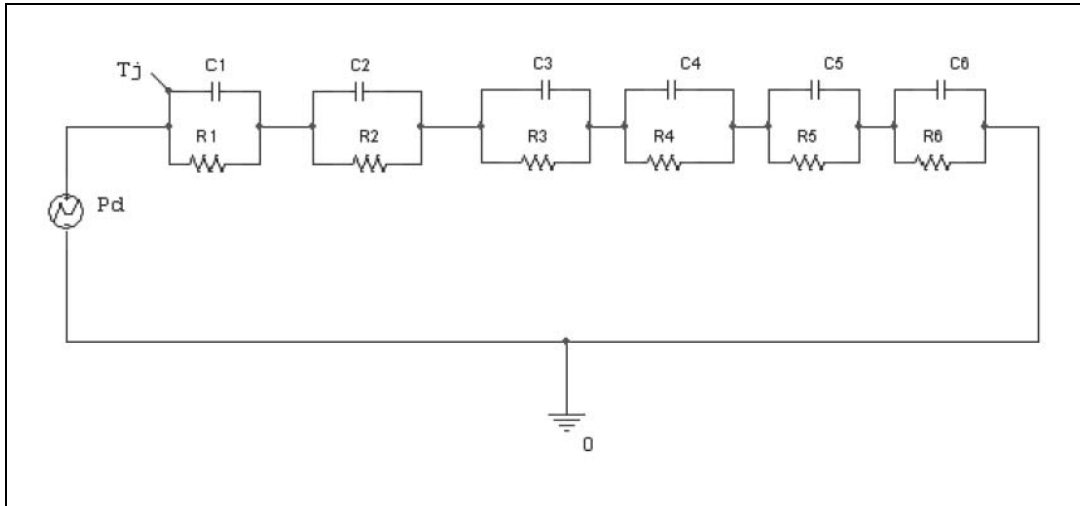
Pulse calculation formula

**Equation 4**

$$Z_{TH\delta} = R_{TH} \times \delta + Z_{THtp} (1 - \delta)$$

where  $\delta = t_p/T$

**Figure 13. Thermal fitting model of a double channel HSD in PowerSSO-12**



**Table 11. Thermal parameter**

Area/island (cm <sup>2</sup> )	Footprint	2	8
R1 (°C/W)	0.1	-	-
R2 (°C/W)	0.2	-	-
R3 (°C/W)	7	-	-
R4 (°C/W)	10	10	9
R5 (°C/W)	22	15	10
R6 (°C/W)	26	20	15
C1 (W.s/°C)	0.0001	-	-
C2 (W.s/°C)	0.002	-	-
C3 (W.s/°C)	0.05	-	-
C4 (W.s/°C)	0.2	0.1	0.1
C5 (W.s/°C)	0.27	0.8	1
C6 (W.s/°C)	3	6	9



## 9 Reverse polarity protection

This schematic in [Figure 14](#) can be used with any type of load.

The following is an indication on how to dimension the  $R_{GND}$  resistor.

### Equation 5

$$R_{GND} = (-V_{CC}) / (-I_{GND})$$

where  $-I_{GND}$  is the DC reverse ground pin current and can be found in the absolute maximum rating section of the device datasheet.

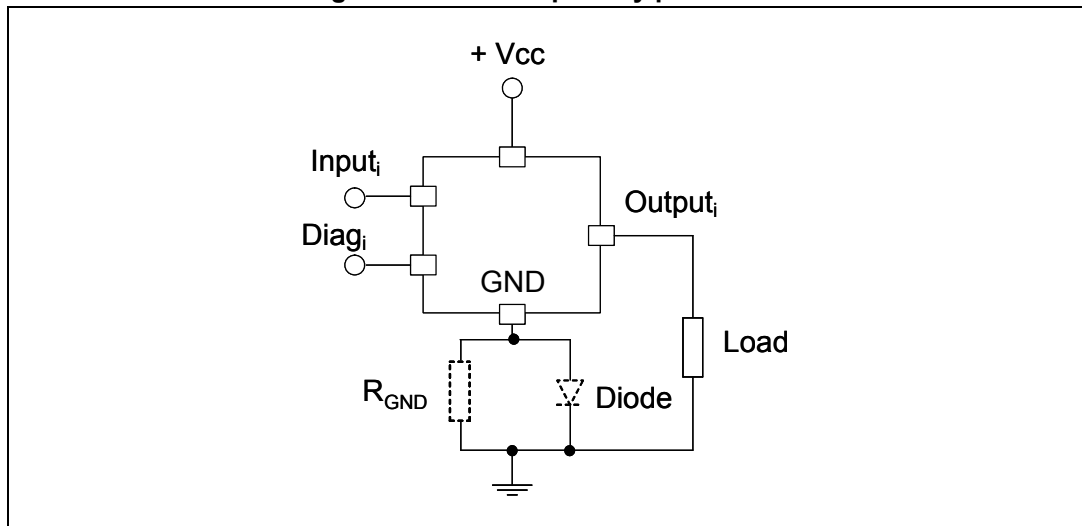
Power dissipation in  $R_{GND}$  (when  $V_{CC} < 0$ : during reverse polarity situations) is:

### Equation 6

$$PD = (-V_{CC})^2 / R_{GND}$$

*Note:* In normal condition (no reverse polarity) due to the diode there will be a voltage drop between GND of the device and GND of the system.

**Figure 14. Reverse polarity protection**



# 10 Package information

In order to meet environmental requirements, ST offers these devices in different grades of ECOPACK® packages, depending on their level of environmental compliance. ECOPACK® specifications, grade definitions and product status are available at: [www.st.com](http://www.st.com). ECOPACK is an ST trademark.

## 10.1 PowerSSO-12™ package information

Figure 15. PowerSSO-12™ package outline

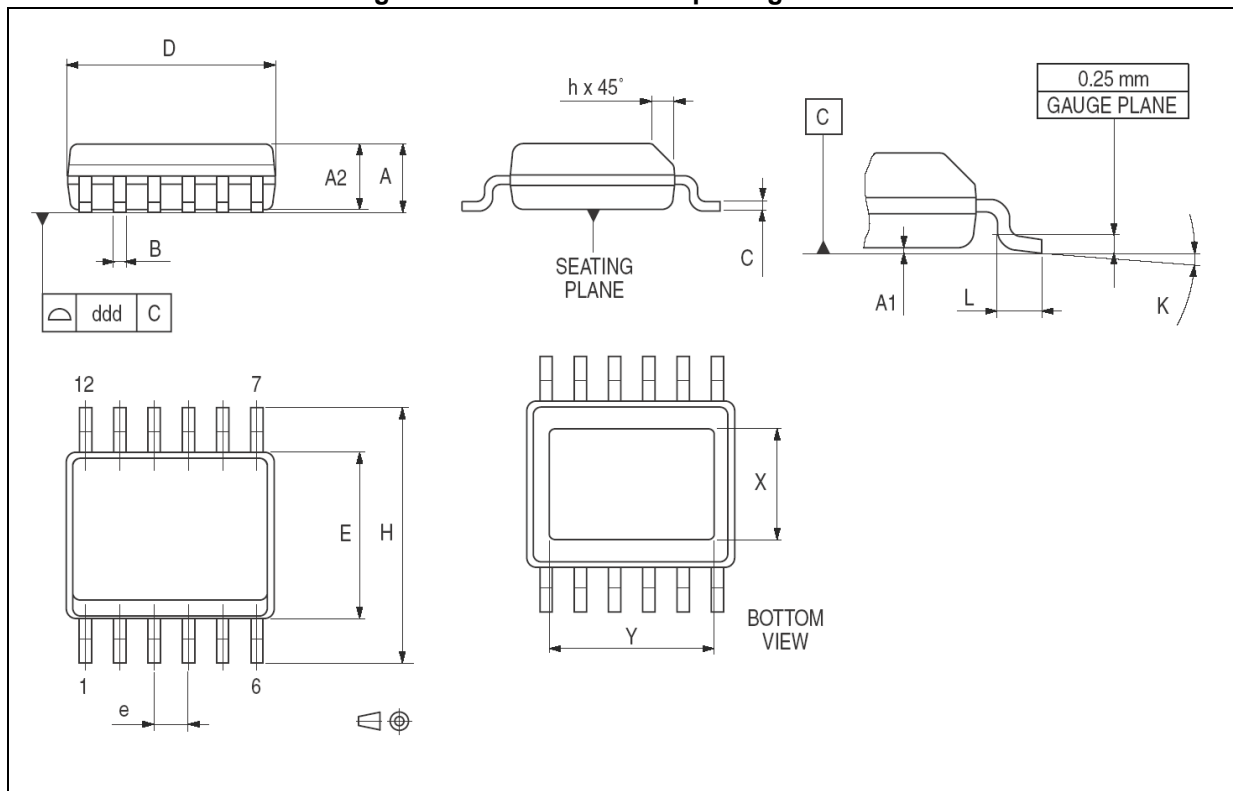


Table 12. PowerSSO-12™ mechanical data

Symbol	Dimensions (mm)		
	Min.	Typ.	Max.
A	1.250	-	1.620
A1	0.000	-	0.100
A2	1.100	-	1.650
B	0.230	-	0.410
C	0.190	-	0.250
D	4.800	-	5.000
E	3.800	-	4.000
e	-	0.800	-
H	5.800	-	6.200
h	0.250	-	0.500
L	0.400	-	1.270
k	0°	-	8°
X	1.900	-	2.500
Y	3.600	-	4.200
ddd	-	-	0.100

Figure 16. PowerSSO-12™ tube shipment (no suffix)

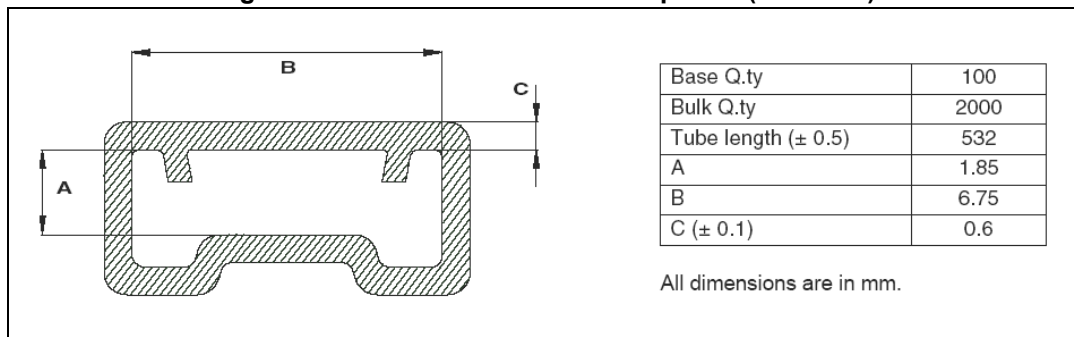


Figure 17. PowerSSO-12™ tape and reel shipment (suffix “TR”)

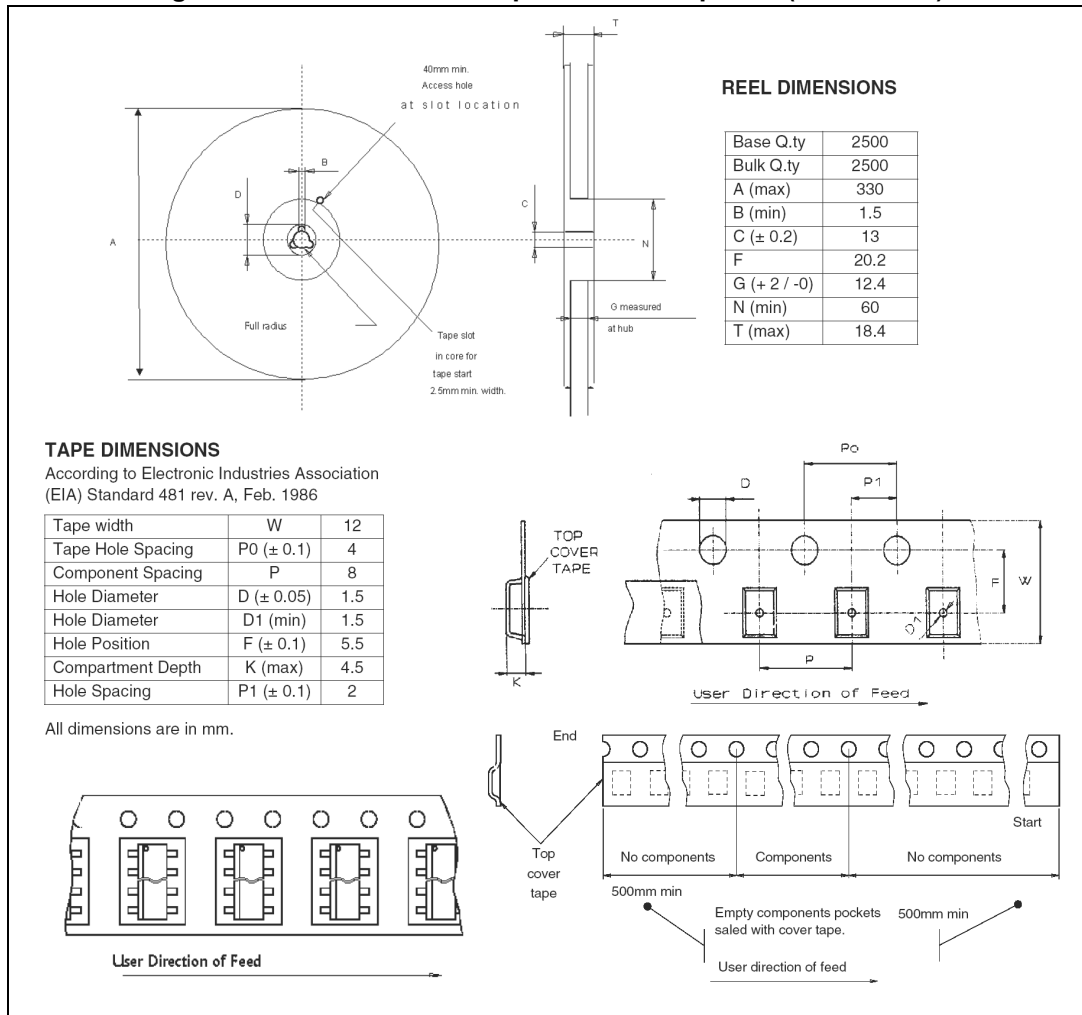
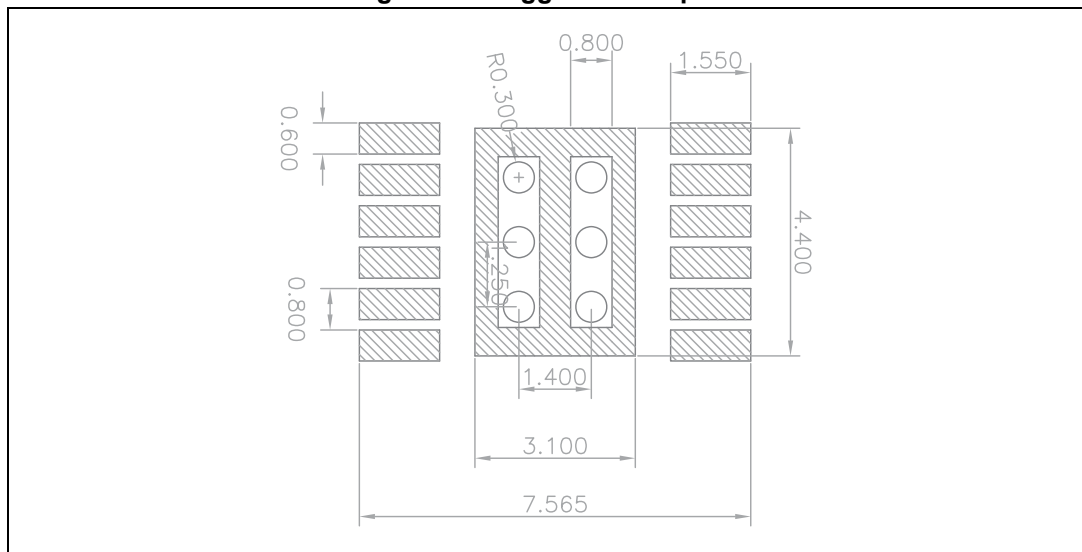


Figure 18. Suggested footprint



## 11 Revision history

**Table 13. Document revision history**

Date	Revision	Changes
16-Dec-2008	1	Initial release
29-Apr-2009	2	Updated <i>Table 5 on page 6</i>
03-Jul-2009	3	Updated features in coverpage and <i>Table 5 on page 6</i>
27-Aug-2009	4	Updated <i>Section 9: Reverse polarity protection</i>
25-Mar-2010	5	Updated Coverpage and <i>Table 4 on page 5</i>
26-Apr-2010	6	Updated <i>Table 5 on page 6</i>
21-Jul-2010	7	Updated <i>Table 8 on page 7</i>
15-Nov-2011	8	Updated <i>Figure 18 on page 21</i>
09-Nov-2017	9	Updated <i>Table 4 on page 5</i> and <i>Table 7 on page 6</i> . Minor modifications throughout document.

**IMPORTANT NOTICE – PLEASE READ CAREFULLY**

STMicroelectronics NV and its subsidiaries ("ST") reserve the right to make changes, corrections, enhancements, modifications, and improvements to ST products and/or to this document at any time without notice. Purchasers should obtain the latest relevant information on ST products before placing orders. ST products are sold pursuant to ST's terms and conditions of sale in place at the time of order acknowledgement.

Purchasers are solely responsible for the choice, selection, and use of ST products and ST assumes no liability for application assistance or the design of Purchasers' products.

No license, express or implied, to any intellectual property right is granted by ST herein.

Resale of ST products with provisions different from the information set forth herein shall void any warranty granted by ST for such product.

ST and the ST logo are trademarks of ST. All other product or service names are the property of their respective owners.

Information in this document supersedes and replaces information previously supplied in any prior versions of this document.

© 2017 STMicroelectronics – All rights reserved

Компания «Life Electronics» занимается поставками электронных компонентов импортного и отечественного производства от производителей и со складов крупных дистрибьюторов Европы, Америки и Азии.

С конца 2013 года компания активно расширяет линейку поставок компонентов по направлению коаксиальный кабель, кварцевые генераторы и конденсаторы (керамические, пленочные, электролитические), за счёт заключения дистрибьюторских договоров

Мы предлагаем:

- Конкурентоспособные цены и скидки постоянным клиентам.
- Специальные условия для постоянных клиентов.
- Подбор аналогов.
- Поставку компонентов в любых объемах, удовлетворяющих вашим потребностям.
- Приемлемые сроки поставки, возможна ускоренная поставка.
- Доставку товара в любую точку России и стран СНГ.
- Комплексную поставку.
- Работу по проектам и поставку образцов.
- Формирование склада под заказчика.
- Сертификаты соответствия на поставляемую продукцию (по желанию клиента).
- Тестирование поставляемой продукции.
- Поставку компонентов, требующих военную и космическую приемку.
- Входной контроль качества.
- Наличие сертификата ISO.

В составе нашей компании организован Конструкторский отдел, призванный помогать разработчикам, и инженерам.

Конструкторский отдел помогает осуществить:

- Регистрацию проекта у производителя компонентов.
- Техническую поддержку проекта.
- Защиту от снятия компонента с производства.
- Оценку стоимости проекта по компонентам.
- Изготовление тестовой платы монтаж и пусконаладочные работы.



Тел: +7 (812) 336 43 04 (многоканальный)

Email: [org@lifeelectronics.ru](mailto:org@lifeelectronics.ru)