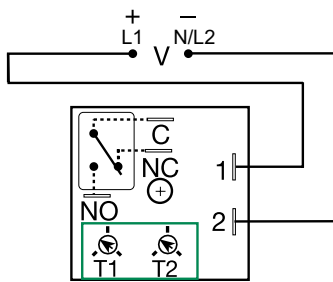


## KRDR SERIES



### Wiring Diagram



V = Voltage  
C = Common  
NO = Normally Open  
NC = Normally Closed  
T1 = OFF Time  
T2 = ON Time

A knob is supplied for adjustable units.

### Description

The KRDR Series is a compact time-delay relay measuring only 2 in. (50.8 mm) square. Its solid-state timing circuit provides excellent repeat accuracy and stability. Encapsulation protects against shock, vibration, and humidity. The KRDR Series is a cost effective recycling timer for OEM applications that require small size, isolation, reliability, and long life.

#### Operation (Recycling - ON Time First)

Upon application of input voltage, the output relay energizes and the T2 ON time begins. At the end of the ON time, the output de-energizes and the T1 OFF time begins. At the end of the OFF time, the output relay energizes and the cycle repeats as long as input voltage is applied

**Reset:** Removing input voltage resets the output and the time delays, and returns the sequence to the ON time.

#### Operation (Recycling - OFF Time First)

Upon application of input voltage, the T1 OFF time begins. At the end of the OFF time, the T2 ON time begins and the load energizes. At the end of the ON time the load de-energizes, and the cycle repeats until input voltage is removed.

**Reset:** Removing input voltage resets the output and the sequence to the OFF time.

### Features & Benefits

| FEATURES   | BENEFITS  |
|--|---|
| <b>Compact design and independent adjustment of ON and OFF times</b> | Provides greater flexibility for OEM applications and reduces component and labor costs |
| <b>Microcontroller based</b>   | Repeat Accuracy +/- 0.5%,<br>Factory calibration +/- 5%                                 |
| <b>Isolated, 10A, SPDT output contacts</b>                           | Allows control of loads for AC or DC voltages   |
| <b>Encapsulated</b>  | Protects against shock, vibration, and humidity   |

### Ordering Information

| MODEL        | INPUT VOLT. | ADJUST.       | T2 ON TIME | FIRST DELAY | T1 OFF TIME |
|--------------|-------------|---------------|------------|-------------|-------------|
| KRDR115MB25M | 12VDC       | Fixed         | 5m         | Off time    | 25m         |
| KRDR120A0    | 12VDC       | Adjustable    | 0.1 - 10s  | On time     | 0.1 - 10s   |
| KRDR121A1    | 12VDC       | Adjustable    | 1 - 100s   | On time     | 1 - 100s    |
| KRDR320B0    | 24VDC       | Adjustable    | 0.1 - 10s  | Off time    | 0.1 - 10s   |
| KRDR321A4    | 24VDC       | Adjustable    | 1 - 100s   | On time     | 1 - 100m    |
| KRDR321B4    | 24VDC       | Adjustable    | 1 - 100s   | Off time    | 1 - 100m    |
| KRDR420A3    | 120VAC      | Adjustable    | 0.1 - 10s  | On time     | 0.1 - 10m   |
| KRDR421A4    | 120VAC      | Adjustable    | 1 - 100s   | On time     | 1 - 100m    |
| KRDR424A0    | 120VAC      | Adjustable    | 1 - 100m   | On time     | 0.1 - 10s   |
| KRDR424A4    | 120VAC      | Adjustable    | 1 - 100m   | On time     | 1 - 100m    |
| KRDR440.5SA0 | 120VAC      | On time fixed | 0.5s       | On time     | 0.1 - 10s   |

If you don't find the part you need, call us for a custom product 800-843-8848

### Accessories



#### P1023-6 Mounting bracket

The 90° orientation of mounting slots makes installation/removal of modules quick and easy.



#### P1015-13 (AWG 10/12), P1015-64 (AWG 14/16) Female Quick Connect

These 0.25 in. (6.35 mm) female terminals are constructed with an insulator barrel to provide strain relief.



#### P1015-18 Quick Connect to Screw Adapter

Screw adapter terminal designed for use with all modules with 0.25 in. (6.35 mm) male quick connect terminals.



#### C103PM (AL) DIN Rail

35 mm aluminum DIN rail available in a 36 in. (91.4 cm) length.

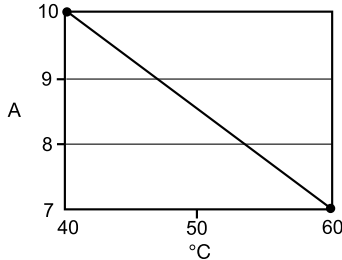


#### P1023-20 DIN Rail Adapter

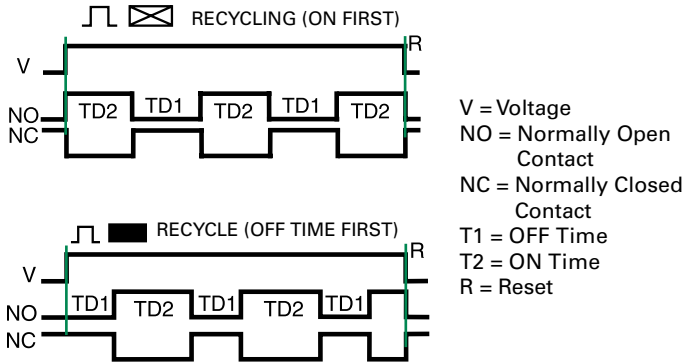
Allows module to be mounted on a 35 mm DIN type rail with two #10 screws.

# KRDR SERIES

## Output Current/Ambient Temperature



## Function Diagrams



## Specifications

|  |  |
|--|--|
| <b>Time Delay Range</b>                                | 0.1s - 1000m in 6 adjustable ranges or fixed                                 |
| <b>Repeat Accuracy Tolerance (Factory Calibration)</b> | ±0.5 % or 20ms, whichever is greater   |
| <b>Reset Time</b>                                      | ≤ ±5%  |
| <b>Time Delay vs Temp. &amp; Voltage</b>               | ≤ 150ms  |
| <b>Input Voltage</b>                                   | ≤ ±5%  |
| <b>Voltage Tolerance</b>                               | 12, 24 or 110VDC; 24, 120 or 230VAC  |
| <b>12VDC &amp; 24VDC/AC</b>                            | -15% - 20%   |
| <b>110VDC &amp; 120 or 230VAC</b>                      | -20% - 10%   |
| <b>AC Line Frequency/DC Ripple</b>                     | 50/60 Hz / ≤ 10%   |
| <b>Power Consumption</b>                               | AC ≤ 2VA; DC ≤ 2W  |
| <b>Output Type</b>                                     | Isolated relay contacts  |
| <b>Form</b>  | SPDT   |
| <b>Rating (at 40°C)</b>                                | 10A resistive @ 125VAC;<br>5A resistive @ 230VAC & 28VDC;<br>1/4 hp @ 125VAC |
| <b>Max. Switching Voltage</b>                          | 250VAC   |
| <b>Life (Operations)</b>                               | Mechanical - 1 x 10 <sup>7</sup> ; Electrical - 1 x 10 <sup>5</sup>          |
| <b>Protection Circuitry</b>                            | Encapsulated   |
| <b>Isolation Voltage</b>                               | ≥ 1500V RMS input to output  |
| <b>Insulation Resistance</b>                           | ≥ 100 MΩ   |
| <b>Polarity</b>  | DC units are reverse polarity protected                                      |
| <b>Mechanical Mounting</b>                             | Surface mount with one #10 (M5 x 0.8) screw                                  |
| <b>Dimensions</b>                                      | <b>H</b> 50.8 mm (2"); <b>W</b> 50.8 mm (2");<br><b>D</b> 30.7 mm (1.21")    |
| <b>Termination</b>                                     | 0.25 in. (6.35 mm) male quick connect terminals                              |
| <b>Environmental Operating/Storage Temperature</b>     | -20° to 60°C / -40° to 85°C  |
| <b>Humidity</b>  | 95% relative, non-condensing   |
| <b>Weight</b>  | ≈ 2.6 oz (74 g)  |

Компания «Life Electronics» занимается поставками электронных компонентов импортного и отечественного производства от производителей и со складов крупных дистрибьюторов Европы, Америки и Азии.

С конца 2013 года компания активно расширяет линейку поставок компонентов по направлению коаксиальный кабель, кварцевые генераторы и конденсаторы (керамические, пленочные, электролитические), за счёт заключения дистрибьюторских договоров

Мы предлагаем:

- Конкуренспособные цены и скидки постоянным клиентам.
- Специальные условия для постоянных клиентов.
- Подбор аналогов.
- Поставку компонентов в любых объемах, удовлетворяющих вашим потребностям.
- Приемлемые сроки поставки, возможна ускоренная поставка.
- Доставку товара в любую точку России и стран СНГ.
- Комплексную поставку.
- Работу по проектам и поставку образцов.
- Формирование склада под заказчика.
- Сертификаты соответствия на поставляемую продукцию (по желанию клиента).
- Тестирование поставляемой продукции.
- Поставку компонентов, требующих военную и космическую приемку.
- Входной контроль качества.
- Наличие сертификата ISO.

В составе нашей компании организован Конструкторский отдел, призванный помогать разработчикам, и инженерам.

Конструкторский отдел помогает осуществить:

- Регистрацию проекта у производителя компонентов.
- Техническую поддержку проекта.
- Защиту от снятия компонента с производства.
- Оценку стоимости проекта по компонентам.
- Изготовление тестовой платы монтаж и пусконаладочные работы.



Тел: +7 (812) 336 43 04 (многоканальный)

Email: [org@lifeelectronics.ru](mailto:org@lifeelectronics.ru)