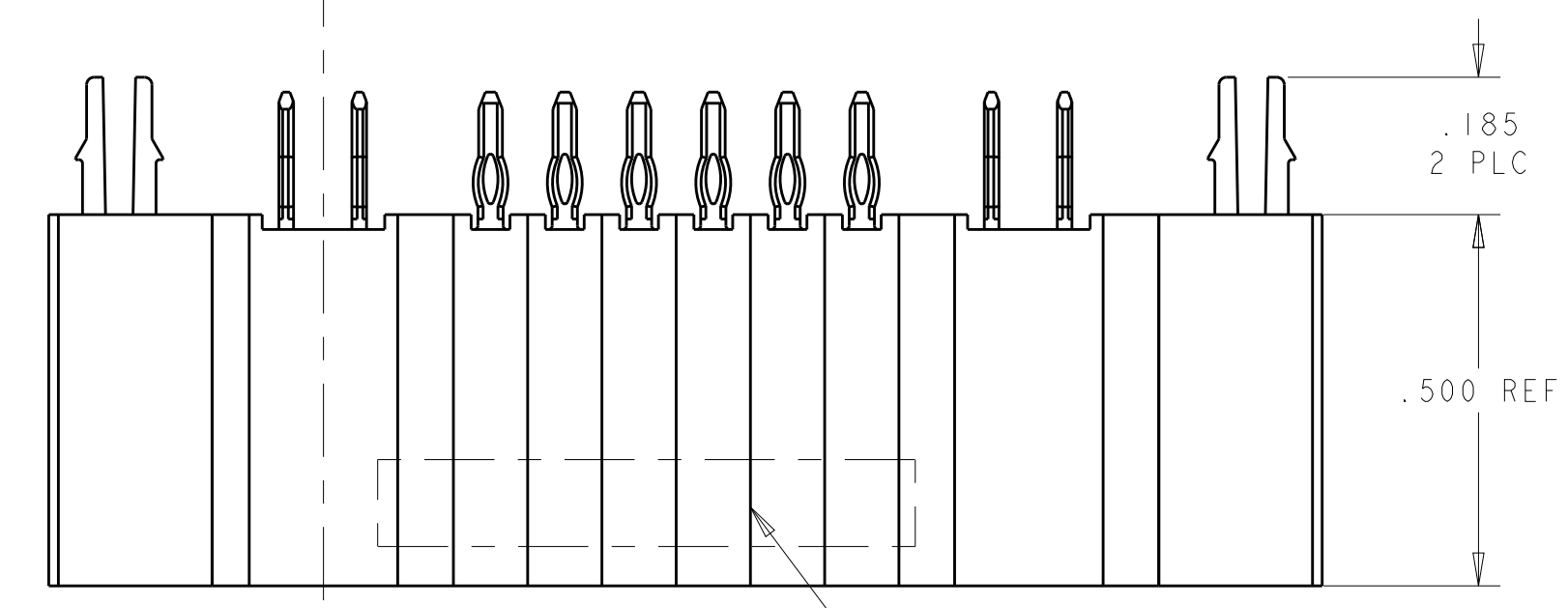
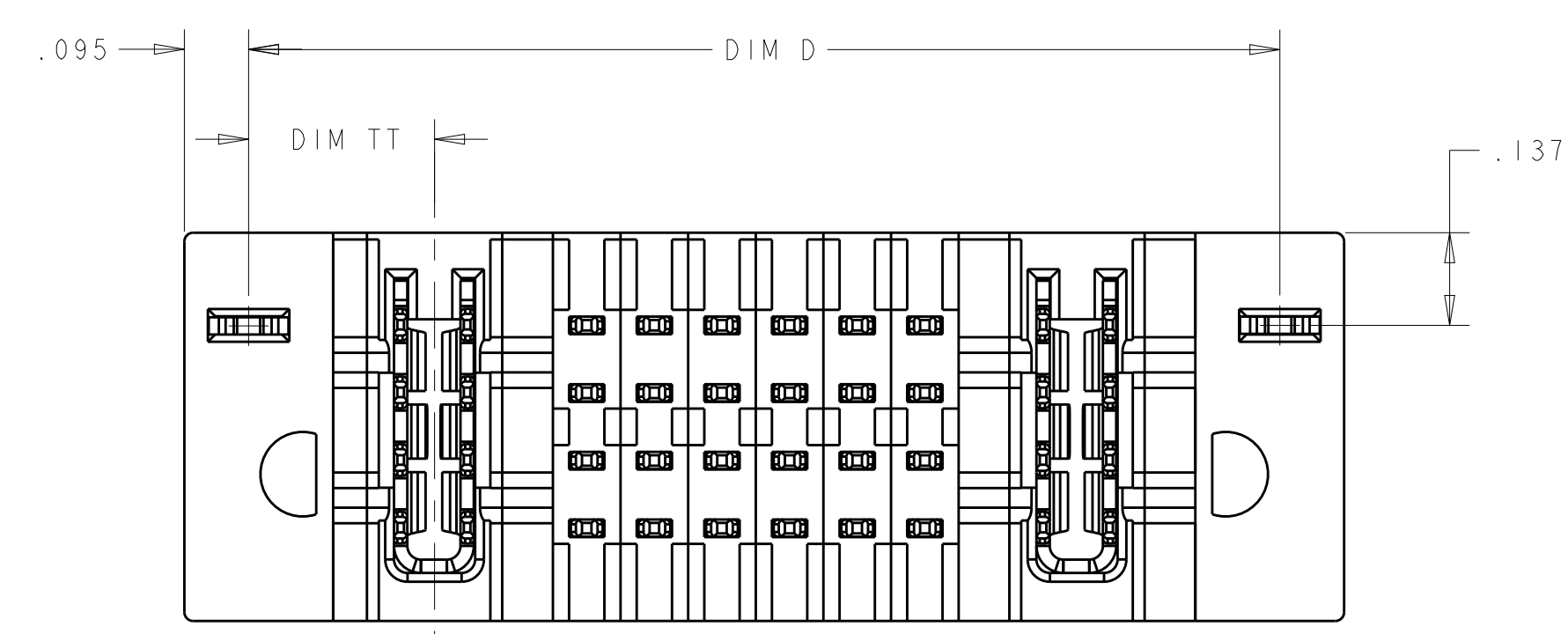
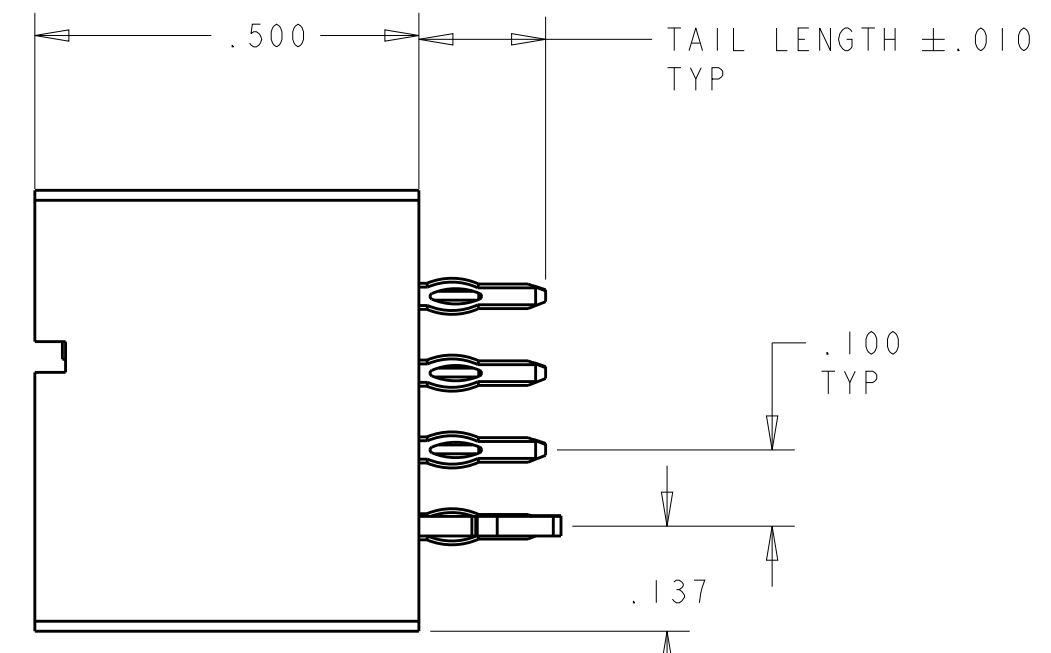
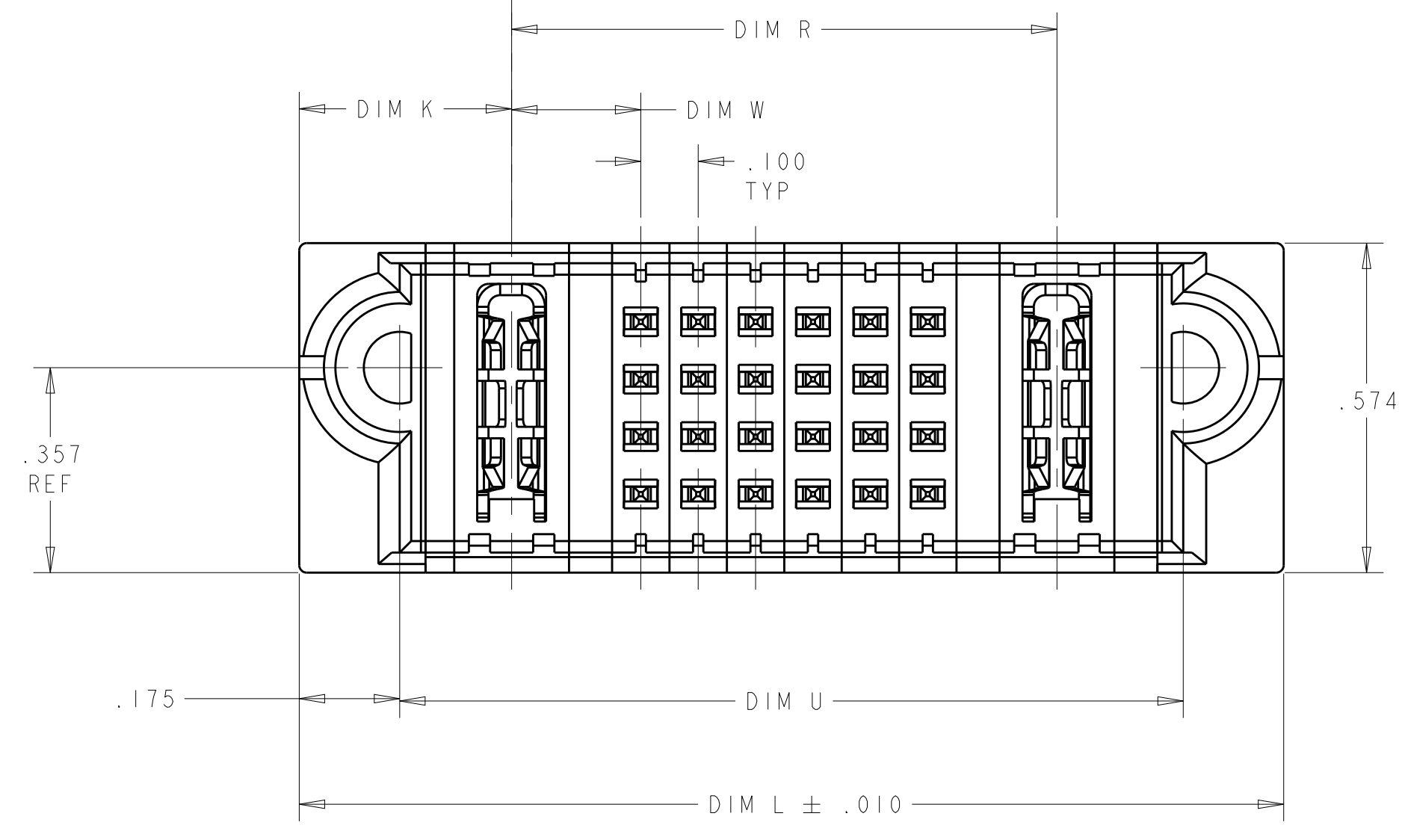
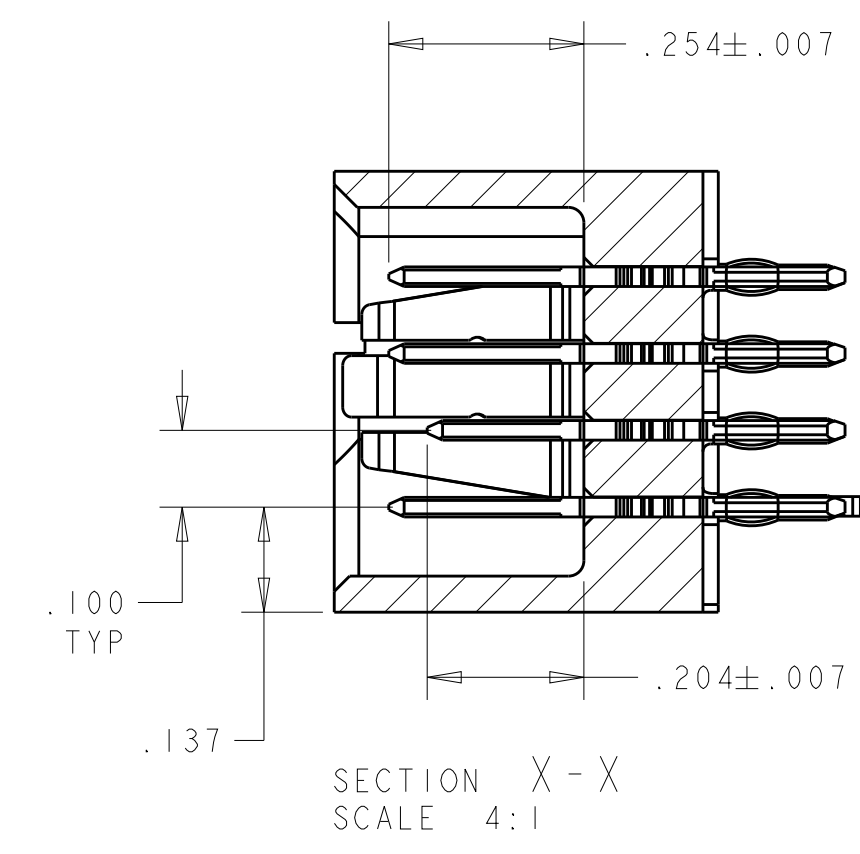


| LOC | | DIST | | REVISIONS | | | |
|-----|-----|----------------------------|-----------|-----------|------|--|--|
| P | LTN | DESCRIPTION | DATE | OWN | APVD | | |
| G6 | | ADD NEW PART -25 | 19AUG2013 | AY | SZ | | |
| G7 | | UPDATE -25 MATING SEQUENCE | 29AUG2013 | AY | SZ | | |
| G8 | | UPDATE -25 MATING SEQUENCE | 30AUG2013 | AY | SZ | | |



- 1 HEADER HOUSING: THERMO PLASTIC, BLACK, UL94 V-O; CONTACTS AND RETENTION CLIPS: COPPER ALLOY.
- 2 CONTACT PLATING: NOBLE METAL PLATING ON CONTACT FUNCTIONAL AREA OF POWER AND SIGNAL CONTACTS
- 3 "AMP", PART NUMBER AND DATE CODE MARKED IN THIS AREA. PARTS UNDER 2.50 LONG MAY BE MARKED ON BOTH SIDES.
- 4 DATUM AND BASIC DIMENSIONS ESTABLISHED BY CUSTOMER.
- 5 PCB - ALL HOLE DIAMETERS ARE FINISHED HOLE SIZES.
- 6 A SEATING TOOL IS REQUIRED TO SEAT THE HEADER ON THE P.C. BOARD. PLEASE REFER TO THE 114-13251 APPLICATION SPEC.
- 7 MECHANICAL CONNECTOR KEEP OUT ZONE.
- 8 DETAIL DIM SEE PART VIEW
- 9 FOR THE CONFIGURATION WITH VENT, PLEASE REFER TO SHEET 2.
- 10 FOR THE CONFIGURATION LP/S/LP WITH VENT, PLEASE REFER TO SHEET 3.
- 11 FOR THE CONFIGURATION LP/S/P, WITH VENT, PLEASE REFER TO SHEET 4.



| | | | | | | | | | | | |
|----|-------|-------|--------|-------|-------|-------|--------|-------|-------|-------------------|-------------|
| 66 | .240 | .165 | .1825 | 2.220 | 1.870 | 2.030 | 1.145 | .7125 | .2775 | 3LP + 16S + 4LP | 2-6450820-5 |
| | .200 | - | .225 | 3.065 | 2.715 | 2.875 | - | 1.975 | .320 | 10HDP + 24S | 2-6450820-3 |
| | .300 | - | .275 | 1.790 | 1.440 | 1.600 | - | 1.150 | .370 | 4ACP + 4S | 2-6450820-2 |
| | .115 | .250 | .2075 | 2.555 | 2.205 | 2.365 | 1.4075 | .7325 | .3025 | 6LP + 24S + 3P | 2-6450820-1 |
| | - | - | .1825 | 1.120 | .770 | .930 | .565 | .1575 | .2775 | 1LP + 16S + 1LP | 2-6450820-0 |
| | .250 | .250 | .250 | 3.540 | 3.190 | 3.350 | 1.850 | 1.175 | .345 | 5P + 24S + 5P | 1-6450820-9 |
| | .250 | .250 | .225 | 4.140 | 3.790 | 3.950 | 2.500 | 1.200 | .320 | 5P + 48S + 5P | 1-6450820-8 |
| | .250 | - | .225 | 4.640 | 4.290 | 4.450 | - | 2.950 | .320 | 12P + 48S | 1-6450820-7 |
| | .250 | - | .225 | 2.415 | 2.065 | 2.225 | - | 1.425 | .320 | 6P + 20S | 1-6450820-5 |
| | - | .300 | .175 | 2.665 | 2.315 | 2.475 | .575 | - | .270 | 20S + 6ACP | 1-6450820-4 |
| | .300 | .300 | .225 | 2.840 | 2.490 | 2.650 | 1.600 | .850 | .320 | 3ACP + 24S + 3ACP | 1-6450820-3 |
| | .250 | .250 | .250 | 4.040 | 3.690 | 3.850 | 2.100 | 1.425 | .345 | 6P + 24S + 6P | 1-6450820-1 |
| 63 | .250 | .250 | .225 | 6.240 | 5.890 | 6.050 | 3.850 | 1.950 | .320 | 8P + 72S + 8P | 6450820-9 |
| | .250 | .250 | .225 | 6.240 | 5.890 | 6.050 | 3.850 | 1.950 | .320 | 8P + 72S + 8P | 6450820-8 |
| | 8 | 8 | .250 | 5.390 | 5.040 | 5.200 | 8 | 8 | .345 | 14P + 40S | 6450820-7 |
| | 8 | 8 | .250 | 5.390 | 5.040 | 5.200 | 8 | 8 | .345 | 14P + 40S | 6450820-6 |
| | .250 | .250 | .250 | 2.640 | 2.290 | 2.450 | 1.200 | .925 | .345 | 4P + 8S + 4P | 6450820-5 |
| | .250 | .250 | .250 | 3.640 | 3.290 | 3.450 | 1.700 | 1.425 | .345 | 6P + 8S + 6P | 6450820-4 |
| | .250 | .250 | .275 | 2.790 | 2.440 | 2.600 | 1.550 | .675 | .370 | 3P + 32S + 3P | 6450820-3 |
| | - | - | .250 | 1.540 | 1.190 | 1.350 | .850 | .175 | .345 | 1P + 24S + 1P | 6450820-2 |
| | - | - | .275 | 1.715 | 1.365 | 1.525 | .950 | .225 | .370 | 1P + 24S + 1P | 6450820-1 |
| | DIM S | DIM T | DIM TT | DIM L | DIM U | DIM D | DIM R | DIM W | DIM K | DESCRIPTION | PART NUMBER |

THIS DRAWING IS A CONTROLLED DOCUMENT. DWN D. ZHU 15NOV2007
 CHK S. ZHAO 15NOV2007

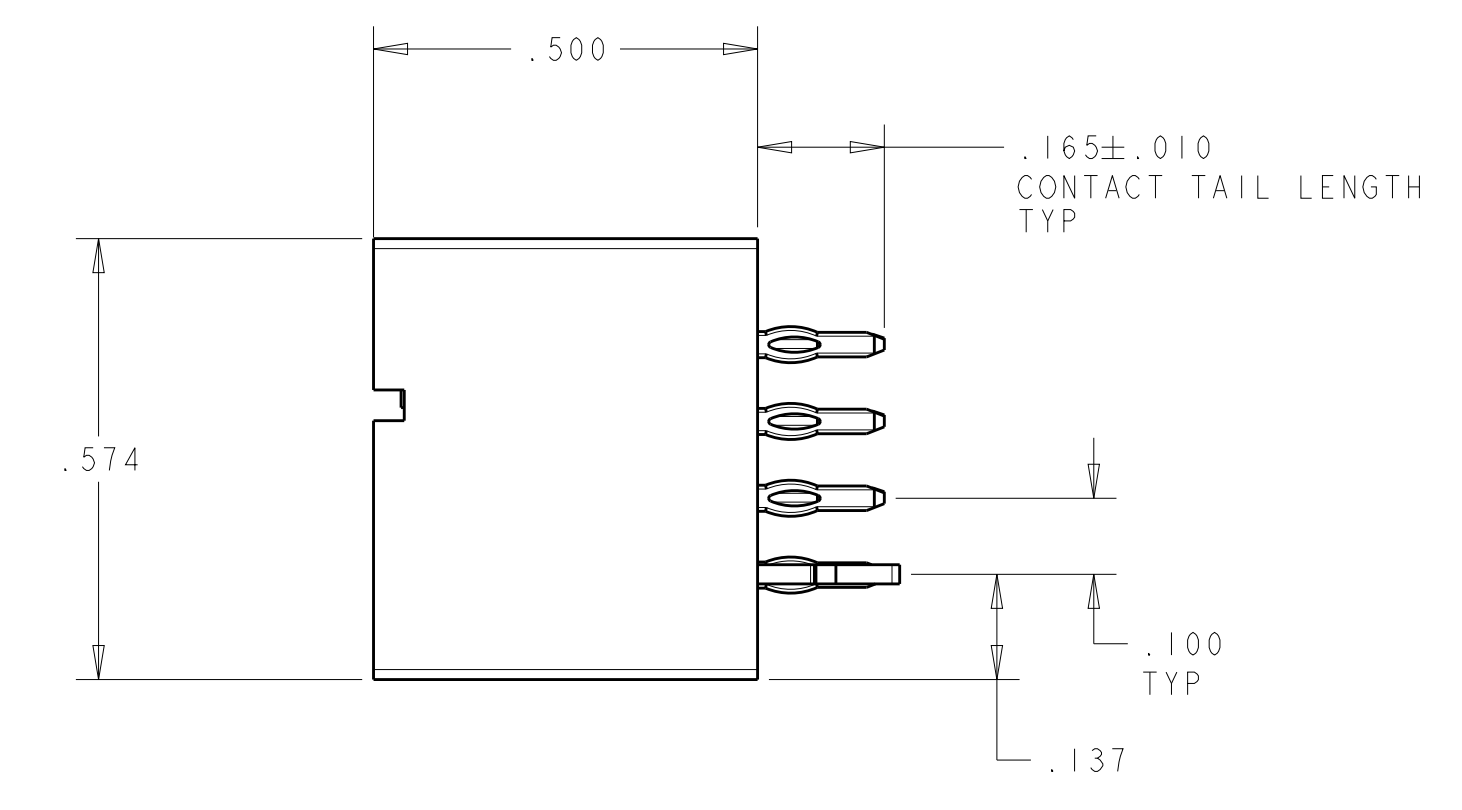
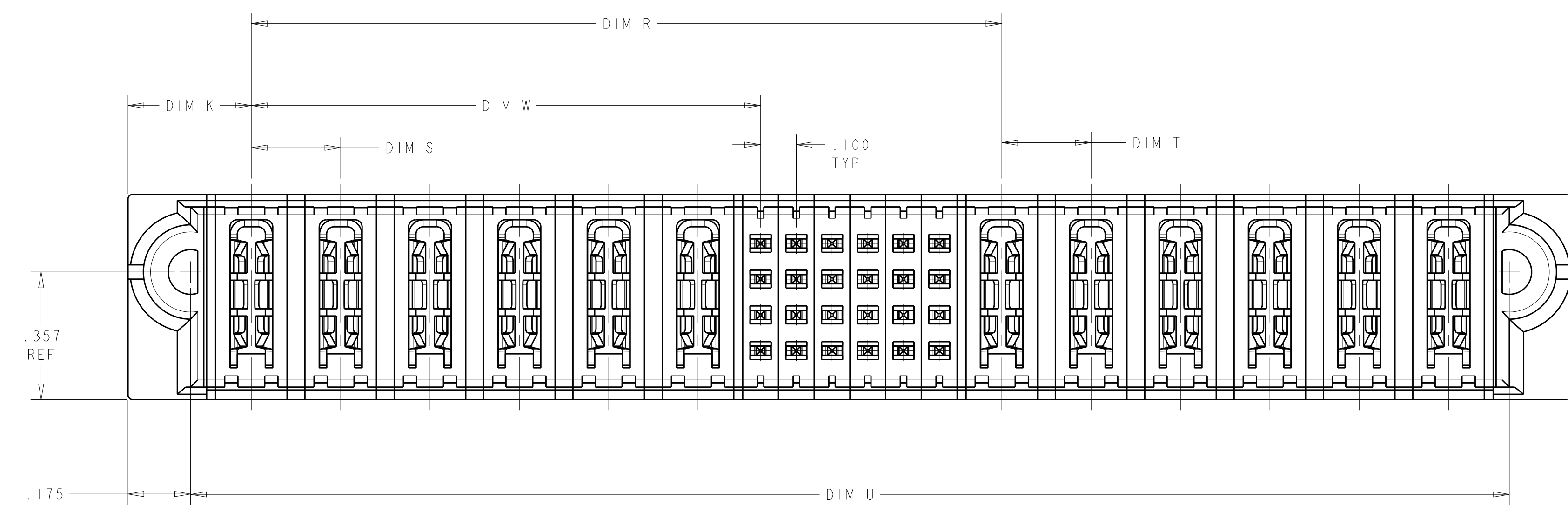
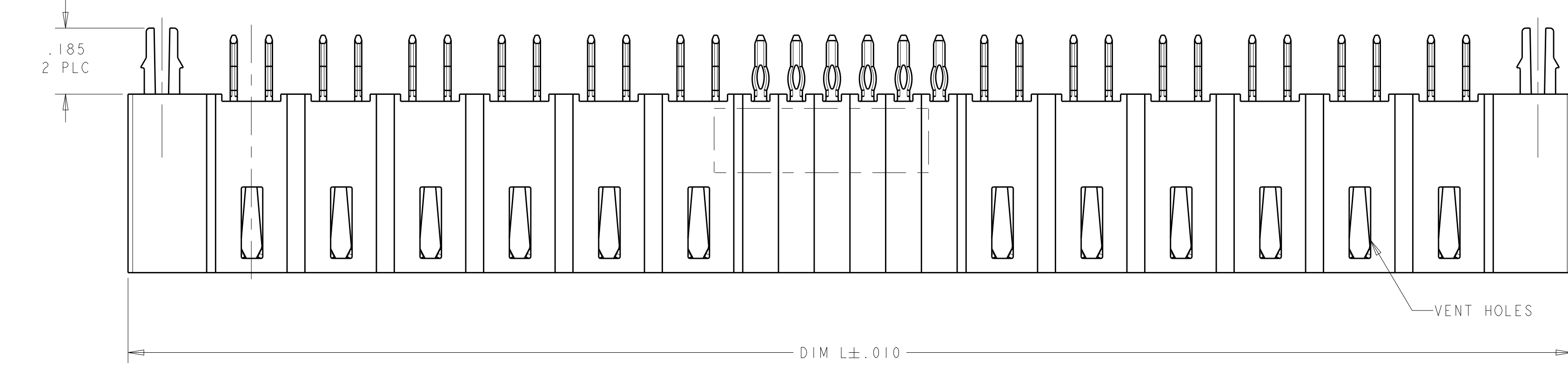
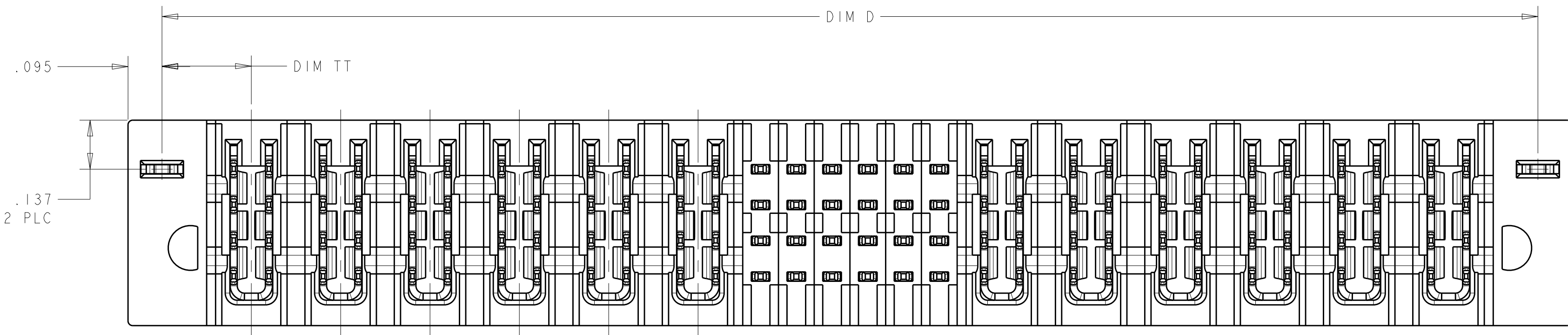
DIMENSIONS: INCHES TOLERANCES UNLESS OTHERWISE SPECIFIED:
 0 PLC ±.01
 1 PLC ±.01
 2 PLC ±.01
 3 PLC ±.005
 4 PLC ±.005
 ANGLES ±.0020

MATERIAL: FINISH: WEIGHT: SCALE: SHEET 1 OF 20 REV G8

Customer Drawing

TE Connectivity
 VERTICAL HEADER ASSEMBLY W/ SHORT END MODULES, PRESS FIT MULTI-BEAM XLE
 108-2292
 114-13251
 A100779C=6450820

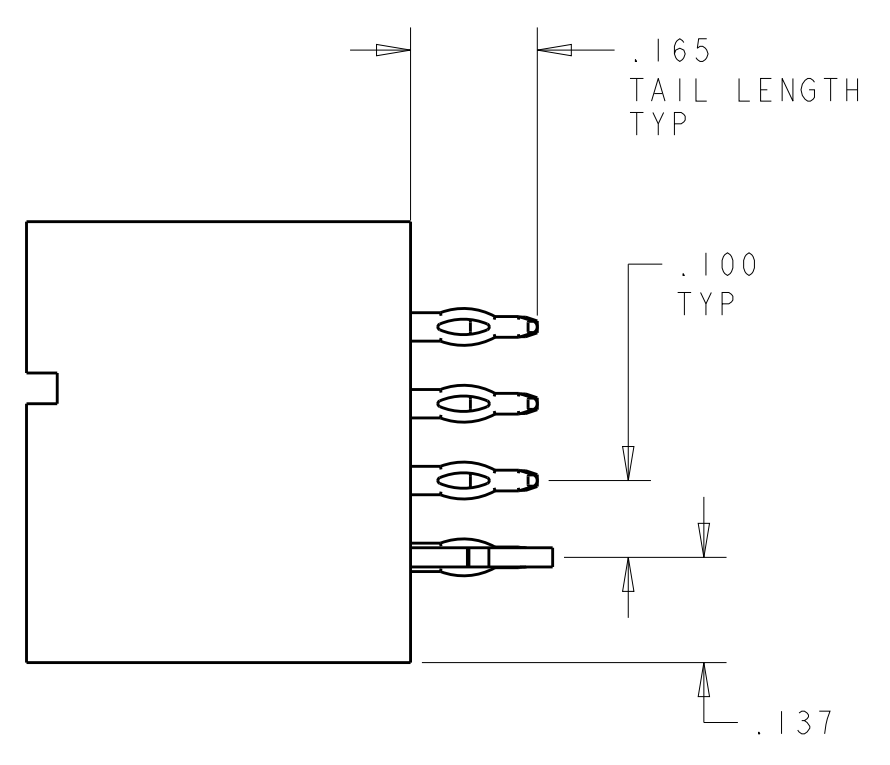
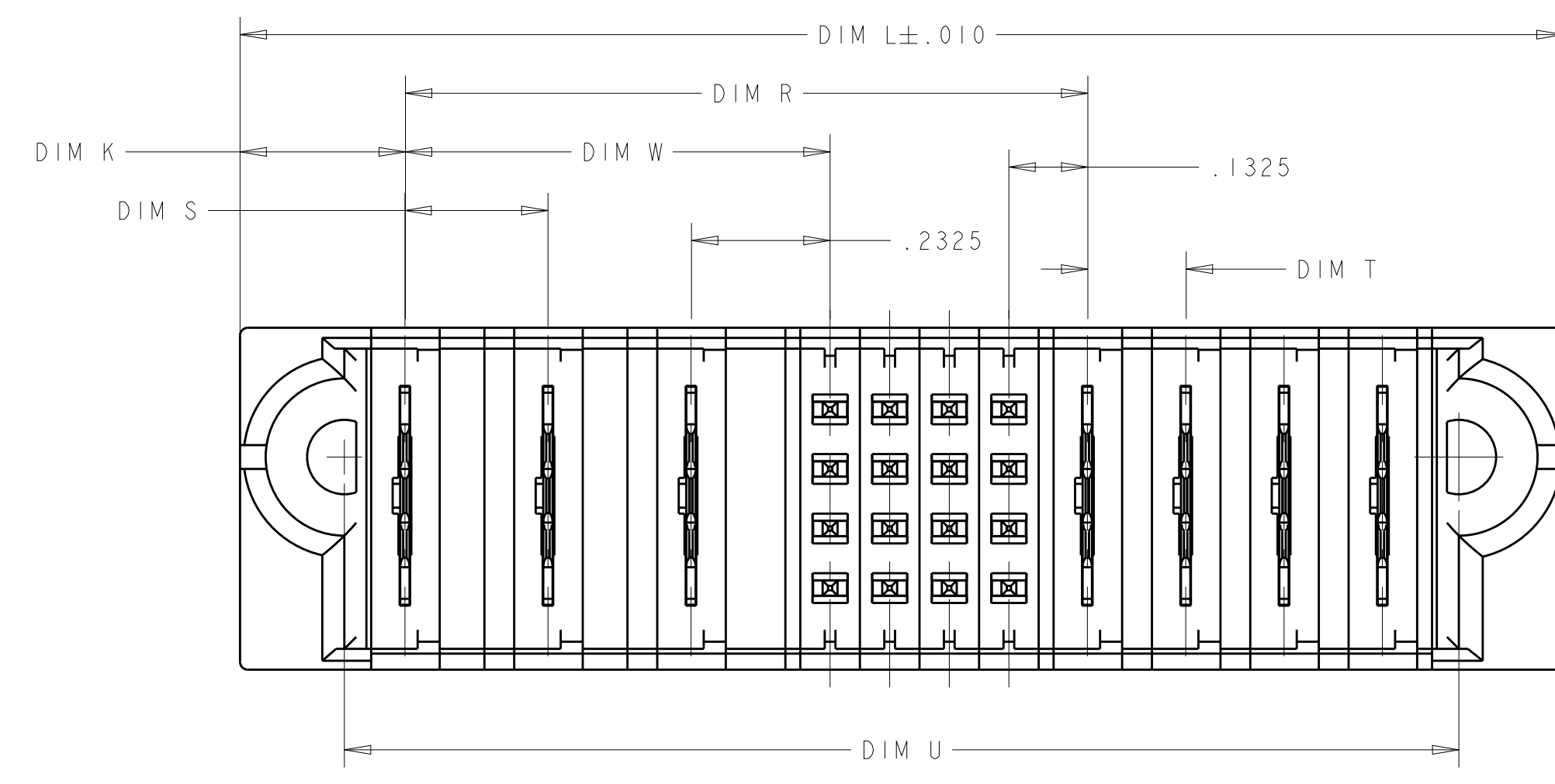
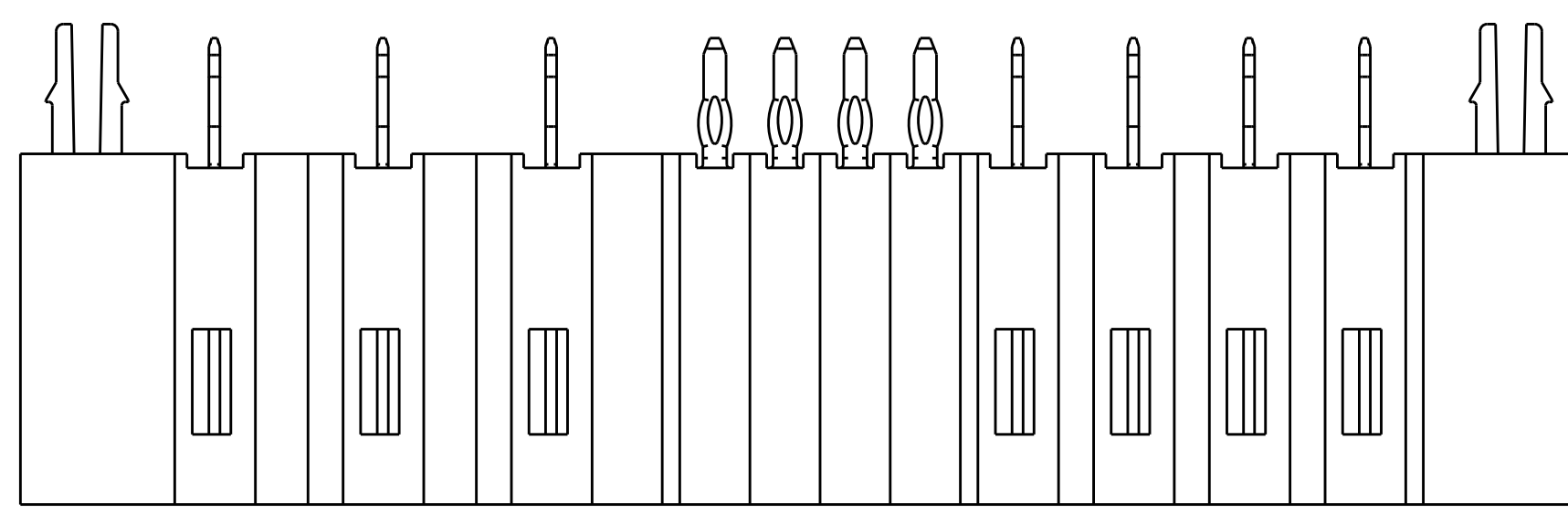
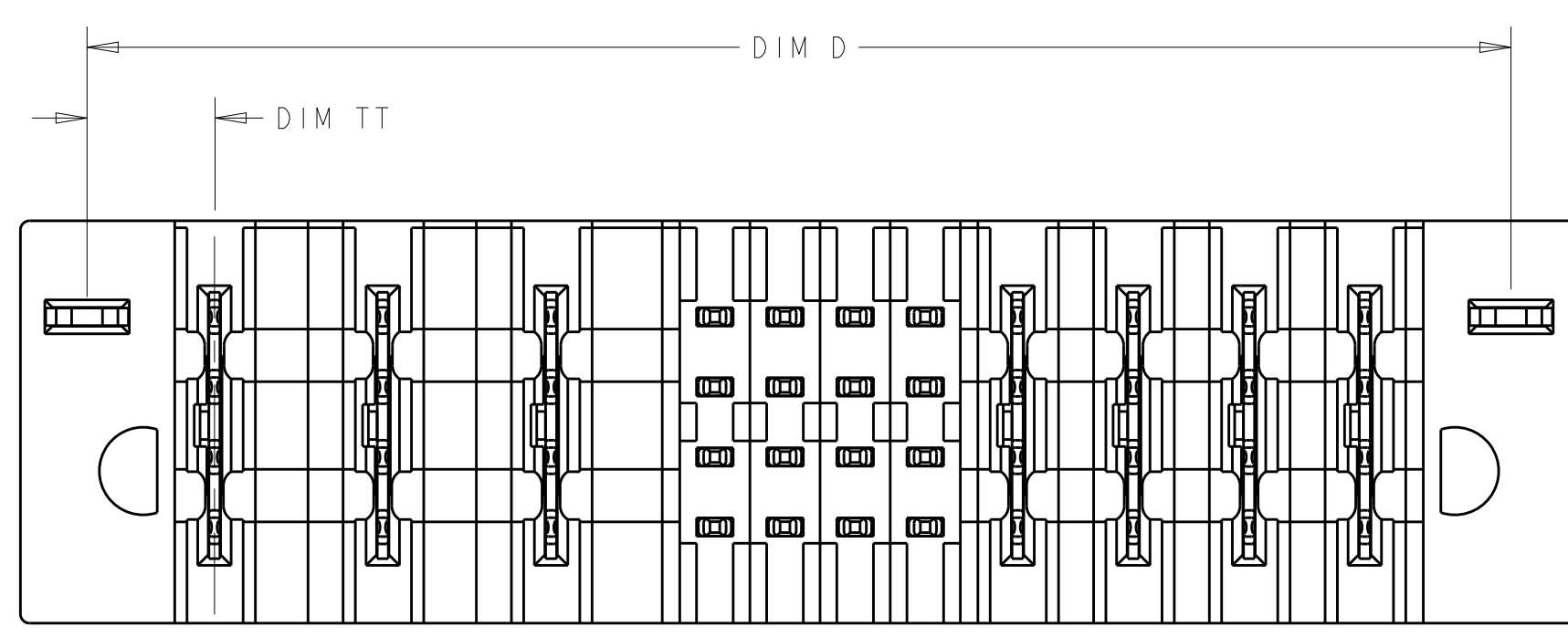
| LOC | | DIST | | REVISIONS | | | |
|-----|----|------|-----|-------------|------|-----|------|
| ES | 00 | P | LTH | DESCRIPTION | DATE | DMN | APVD |
| | | - | | SEE SHEET 1 | - | - | - |
| | | | | | | | |
| | | | | | | | |




⚠ FOR THE CONFIGURATION WITH VENT PART NO. 1-6450820-1

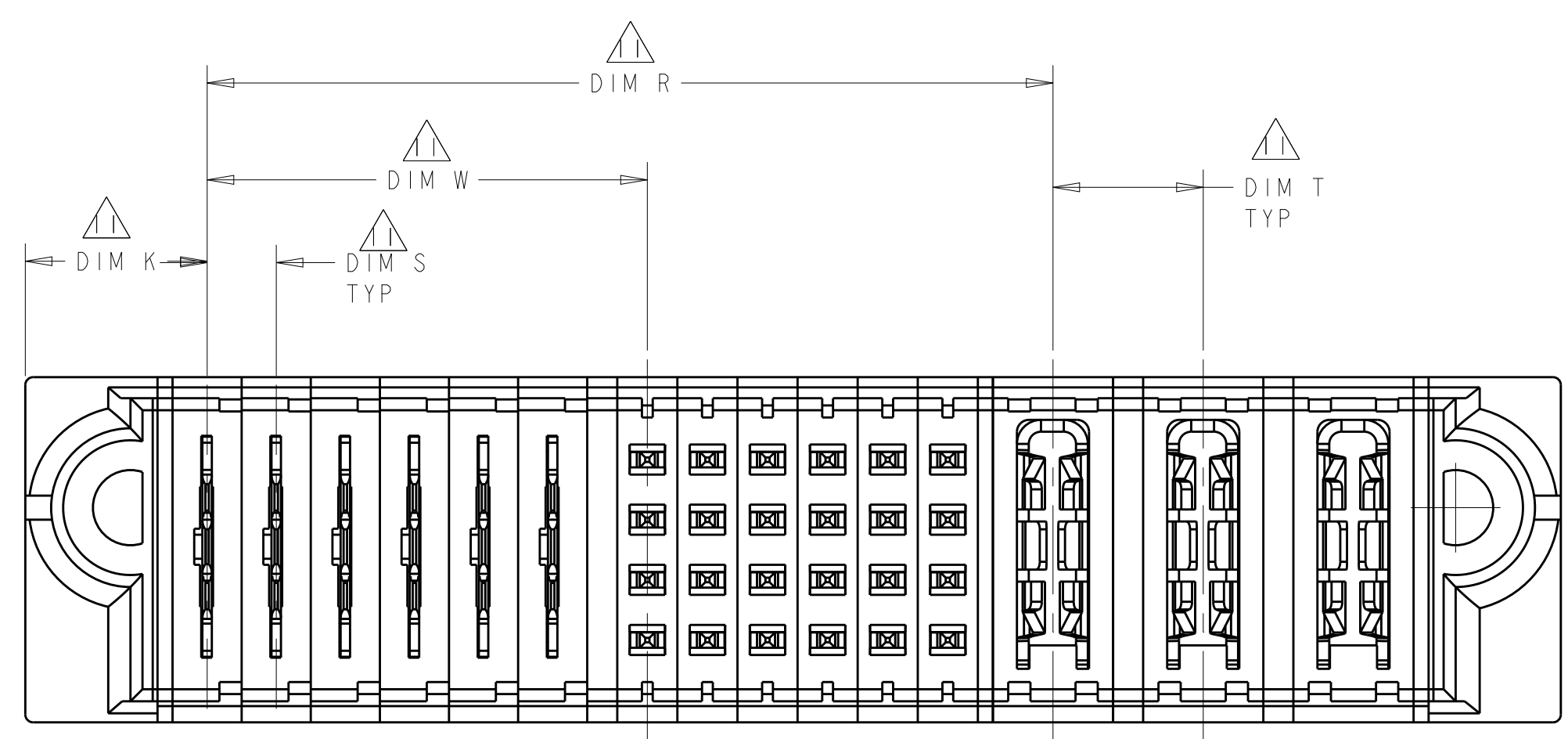
| | | | | |
|--|--|------------------|-----------|---|
| THIS DRAWING IS A CONTROLLED DOCUMENT. | | DMN D. ZHU | 15NOV2007 | STE TE Connectivity |
| DIMENSIONS: INCHES | | CHK S. ZHAO | 15NOV2007 | |
| TOLERANCES UNLESS OTHERWISE SPECIFIED: | | APVD S. ZHAO | - | NAME VERTICAL HEADER ASSEMBLY W/ SHORT END MODULES, PRESS FIT MULTI-BEAM XLE |
| 0 PLC ± | | PRODUCT SPEC | 108-2292 | SIZE A100779 |
| 1 PLC ±.01 | | APPLICATION SPEC | 114-13251 | CAGE CODE 6450820 |
| 2 PLC ±.05 | | WEIGHT | - | RESTRICTED TO |
| 3 PLC ±.0020 | | FINISH | - | Customer Drawing |
| 4 PLC ±.0020 | | SCALE | - | SHEET 2 OF 20 |
| ANGLES ±.7° | | REV | G8 | |

| LOC | DIST | REVISIONS | | | | | |
|-----|------|-----------|-----|-------------|------|-----|------|
| | | P. | LTN | DESCRIPTION | DATE | DWN | APVD |
| ES | 00 | - | - | SEE SHEET 1 | - | - | - |
| | | | | | | | |
| | | | | | | | |



| | | | | | | |
|---|--|------------------|-----------|---|---|--|
| THIS DRAWING IS A CONTROLLED DOCUMENT. | | DWN D. ZHU | 15NOV2007 |  | TE Connectivity | |
| DIMENSIONS: INCHES | | CHK S. ZHAO | 15NOV2007 | | NAME VERTICAL HEADER ASSEMBLY W/ SHORT END MODULES, PRESS FIT MULTI-BEAM XLE | |
| TOLERANCES UNLESS OTHERWISE SPECIFIED: | | APVD S. ZHAO | - | PRODUCT SPEC | | |
| 0 PLC ± | | 108-2292 | | APPLICATION SPEC | | |
| 1 PLC ±.01 | | 114-13251 | | RESTRICTED TO | | |
| 2 PLC ±.01 | | Customer Drawing | | SCALE - SHEET 3 OF 20 REV G8 | | |
| 3 PLC ±.005 | | | | | | |
| 4 PLC ±.0020 | | | | | | |
| ANGLES ±7° | | | | | | |
| FINISH - | | | | | | |

| LOC | | DIST | | REVISIONS | | | |
|-----|----|------|-----|-------------|------|-----|------|
| ES | 00 | P | LTH | DESCRIPTION | DATE | DMN | APVD |
| - | - | - | - | SEE SHEET 1 | - | - | - |
| | | | | | | | |
| | | | | | | | |



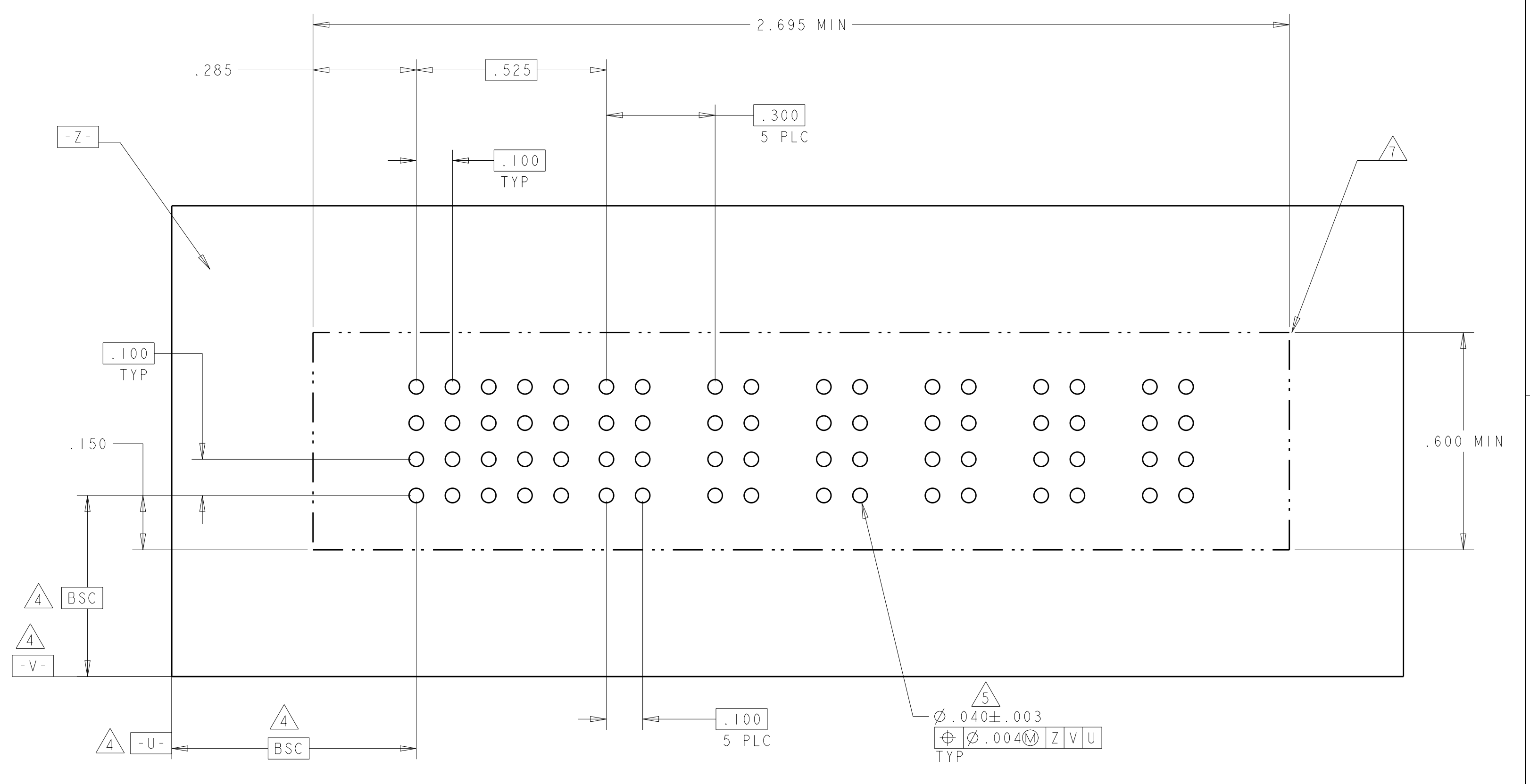
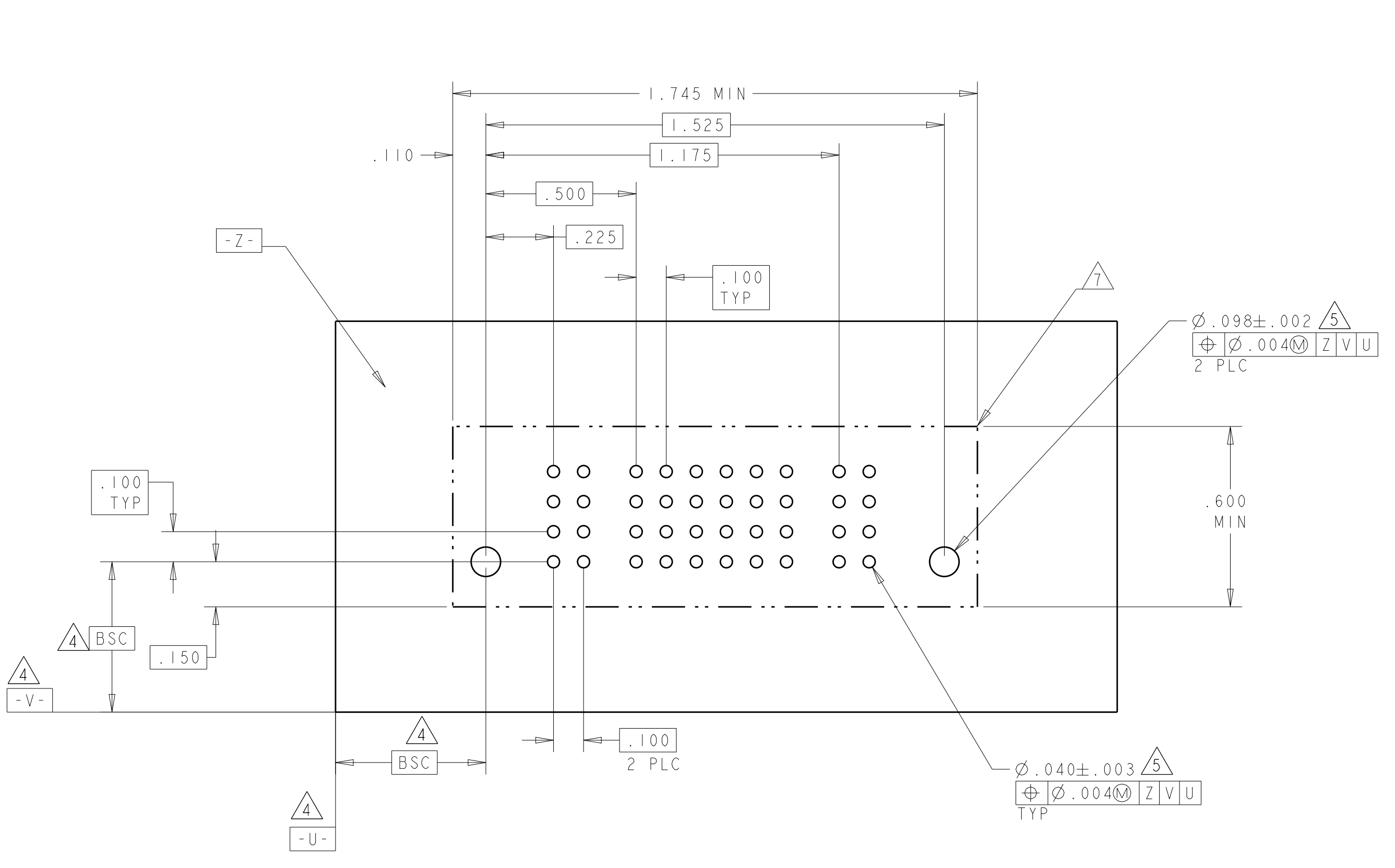
FOR THE CONFIGURATION LP/S/P WITH VENT
OTHER DIMSENSIONS PLEASE REFER TO SHEET 2

| | | | |
|--|--|-------------------------------|---|
| THIS DRAWING IS A CONTROLLED DOCUMENT. | | DMN D. ZHU 15NOV2007 | TE Connectivity |
| DIMENSIONS: INCHES | | CHK S. ZHAO 15NOV2007 | |
| TOLERANCES UNLESS OTHERWISE SPECIFIED: 0 PLC ±. 1 PLC ±.01 2 PLC ±.01 3 PLC ±.005 4 PLC ±.0020 ANGLES ±.7° FINISH | | APVD S. ZHAO | NAME VERTICAL HEADER ASSEMBLY W/ SHORT END MODULES, PRESS FIT MULTI-BEAM XLE |
| | | PRODUCT SPEC 108-2292 | SIZE A100779 |
| MATERIAL | | APPLICATION SPEC 114-13251 | DRAWING NO C=6450820 |
| | | WEIGHT | RESTRICTED TO |
| | | Customer Drawing | SCALE - SHEET 4 OF 20 REV G8 |

| LOC | DIST | REV | DATE | BY | APP'D |
|-----------|------|-----|------|----|-------|
| ES | 00 | | | | |
| REVISIONS | | | | | |
| | | | | | |
| | | | | | |
| | | | | | |
| | | | | | |
| | | | | | |
| | | | | | |
| | | | | | |
| | | | | | |

| PART NUMBER | ROWS | POWER | SIGNAL | | | | | | POWER | HD | |
|---------------|------|-------|--------|----|----|----|----|----|-------|----|----|
| | | | P1 | 1 | 2 | 3 | 4 | 5 | | | 6 |
| 6450820-1 | D | VM | | EV | EV | EV | EV | EV | EV | VM | HD |
| | C | | EV | EV | EV | EV | EV | EV | | | |
| | B | | EV | EV | EV | ES | EV | EV | | | |
| | A | | EV | EV | EV | EV | EV | EV | | | |
| IP + 24S + IP | | | | | | | | | | | |

| PART NUMBER | ROWS | POWER | SIGNAL | | | | | POWER | | | | | | HD | | |
|-------------|------|-------|--------|----|----|----|----|-------|----|----|----|----|----|----|----|----|
| | | | 1 | 2 | 3 | 4 | 5 | P1 | P2 | P3 | P4 | P5 | P6 | | | |
| I-6450820-4 | D | VM | EV | EV | EV | EV | EV | VM | VM | VM | VM | VM | VM | VM | VM | HD |
| | C | | EV | EV | EV | EV | EV | VM | VM | VM | VM | VM | VM | | | |
| | B | | EV | EV | EV | EV | EV | VM | VM | VM | VM | VM | VM | | | |
| | A | | ES | EV | EV | EV | EV | VM | VM | VM | VM | VM | VM | | | |
| 20S + 6ACP | | | | | | | | | | | | | | | | |



| | | |
|-------|------------------------|-------------|
| .165" | LOW POWER CONTACT MFBL | LZF |
| .165" | LOW POWER CONTACT | LZ |
| .165" | SIGNAL CONTACT MFBL | EF |
| - | HOLD DOWN | HD |
| .165" | SIGNAL CONTACT MLBF | ES |
| .165" | SIGNAL CONTACT STD | EV |
| .165" | POWER CONTACT | VM |
| | TAIL LENGTH | DESCRIPTION |
| | | CODE |

THIS DRAWING IS A CONTROLLED DOCUMENT.

| | | | | |
|-------------|--|------------------|---|---------------|
| DIMENSIONS: | TOLERANCES UNLESS OTHERWISE SPECIFIED: | DWN | D. ZHU | 15NOV2007 |
| INCHES | 0 PLC ±.01 | CHK | S. ZHAO | 15NOV2007 |
| | 1 PLC ±.01 | APP'D | S. ZHAO | |
| | 2 PLC ±.01 | NAME | VERTICAL HEADER ASSEMBLY W/ SHORT END MODULES, PRESS FIT MULTI-BEAM XLE | |
| | 3 PLC ±.01 | PRODUCT SPEC | 108-2292 | |
| | 4 PLC ±.005 | APPLICATION SPEC | 114-13251 | |
| | 5 PLC ±.002 | SIZE | CAGE CODE | DRAWING NO |
| | ANGLES ±.020 | WEIGHT | A100779 | 6450820 |
| MATERIAL | FINISH | Customer Drawing | SCALE | SHEET 5 OF 20 |

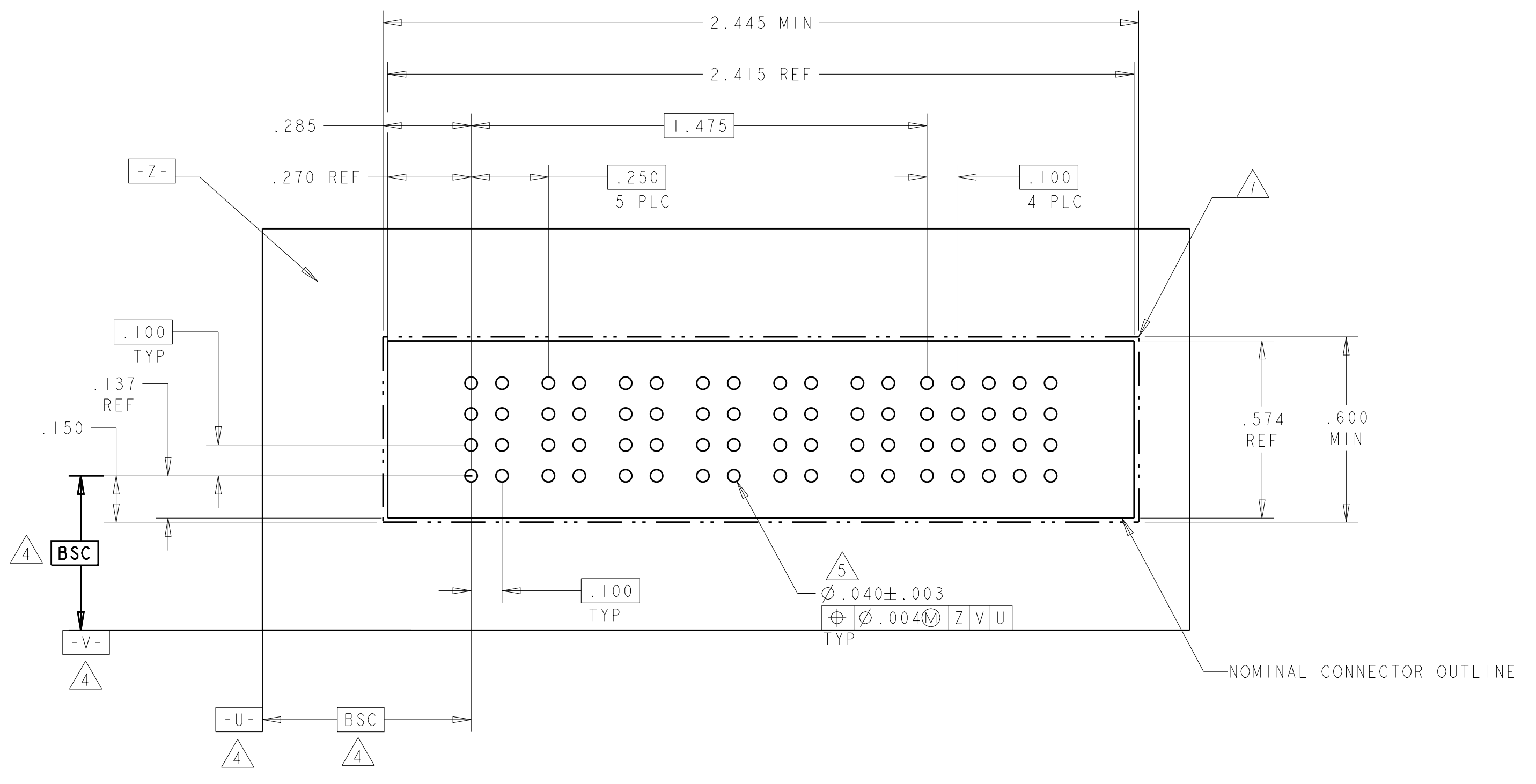
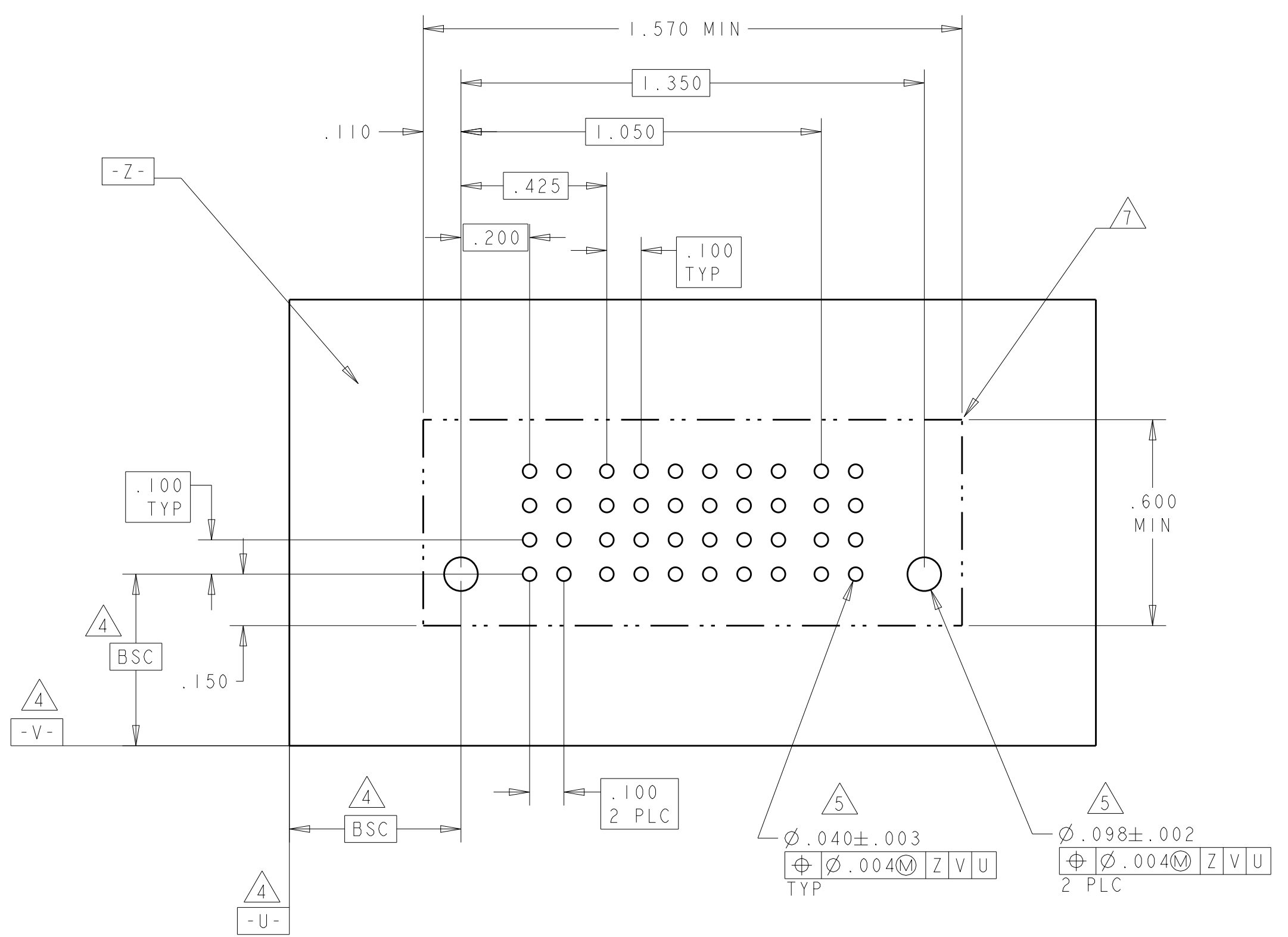
Customer Drawing

SCALE - SHEET 5 OF 20 REV G8

| LOC | | DIST | | REVISIONS | | | | |
|-----|-----|------|-----|-----------|-------------|------|-----|------|
| P | LTN | DATE | DMN | APVD | DESCRIPTION | DATE | DMN | APVD |
| - | - | - | - | - | SEE SHEET 1 | - | - | - |

| PART NUMBER | ROWS | POWER | SIGNAL | | | | | | POWER | | |
|---------------|------------------|-------|--------|----|----|----|----|----|-------|----|----|
| | | | P1 | 1 | 2 | 3 | 4 | 5 | | 6 | P2 |
| 6450820-2 | D C B A | VM | HD | EV | EV | EV | EV | EV | EV | VM | HD |
| | | | | EV | EV | EV | EV | EV | EV | | |
| | | | | EV | EV | EV | ES | EV | EV | | |
| | | | | EV | EV | EV | EV | EV | EV | | |
| IP + 24S + IP | | | | | | | | | | | |

| PART NUMBER | ROWS | POWER | | | | | | SIGNAL | | | | | |
|-------------|------------------|-------|----|----|----|----|----|--------|----|----|----|----|----|
| | | P1 | P2 | P3 | P4 | P5 | P6 | 1 | 2 | 3 | 4 | 5 | |
| 1-6450820-5 | D C B A | VM | VM | VM | VM | VM | VM | EV | EV | EV | EV | EV | HD |
| | | | | | | | | EV | EV | EV | EV | EV | |
| | | | | | | | | EV | ES | EV | EV | EV | |
| | | | | | | | | EV | EV | EV | EV | EV | |
| 6P + 20S | | | | | | | | | | | | | |



THIS DRAWING IS A CONTROLLED DOCUMENT. DWN: D. ZHU 15NOV2007
 CHK: S. ZHAO 15NOV2007

DIMENSIONS: INCHES. TOLERANCES UNLESS OTHERWISE SPECIFIED:
 0 PLC ±.
 1 PLC ±.01
 2 PLC ±.01
 3 PLC ±.005
 4 PLC ±.002
 ANGLES ±.020

MATERIAL: FINISH:

Customer Drawing

NAME: VERTICAL HEADER ASSEMBLY W/ SHORT END MODULES, PRESS FIT MULTI-BEAM XLE
 PRODUCT SPEC: 108-2292
 APPLICATION SPEC: 114-13251
 WEIGHT: -

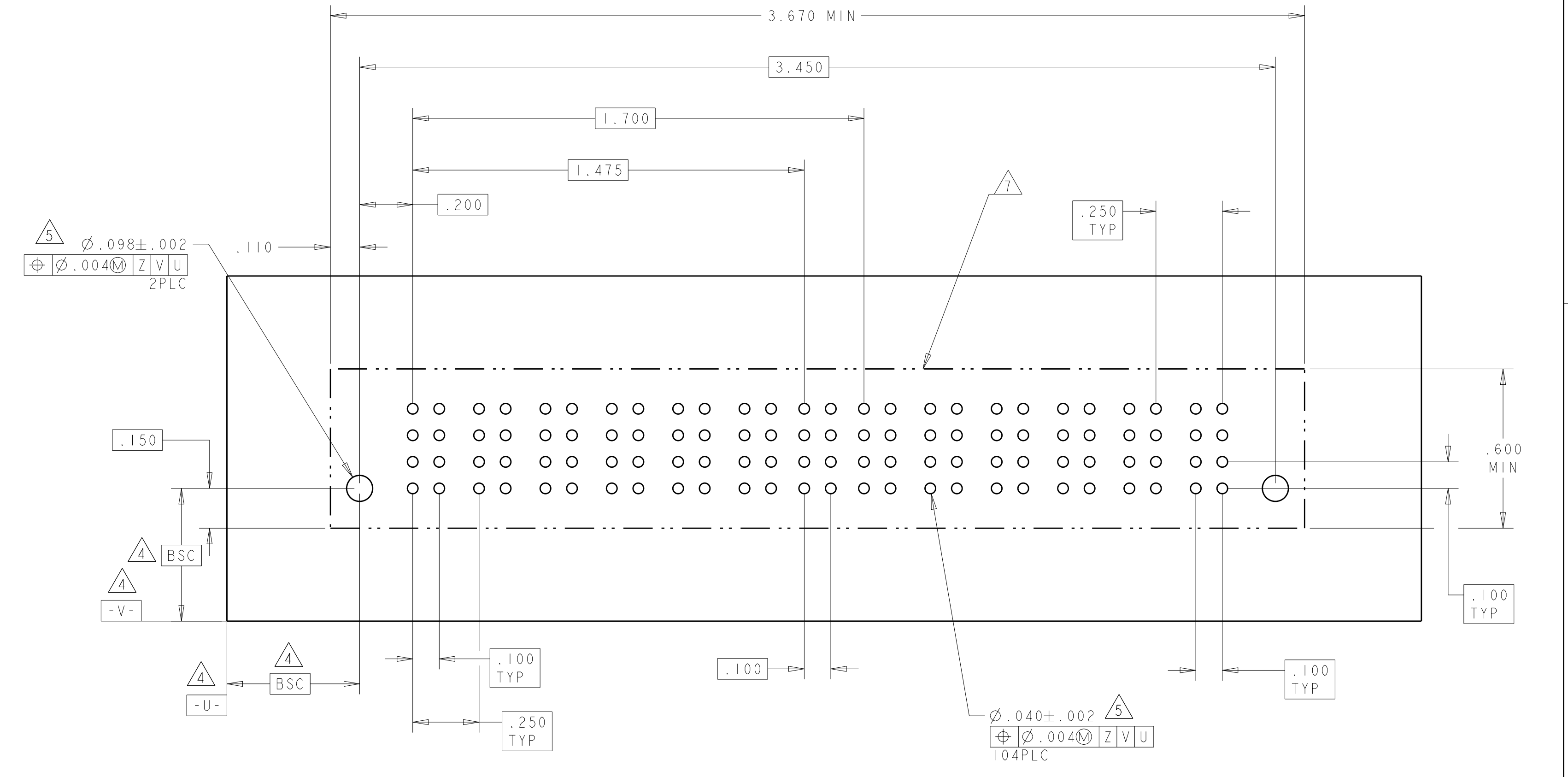
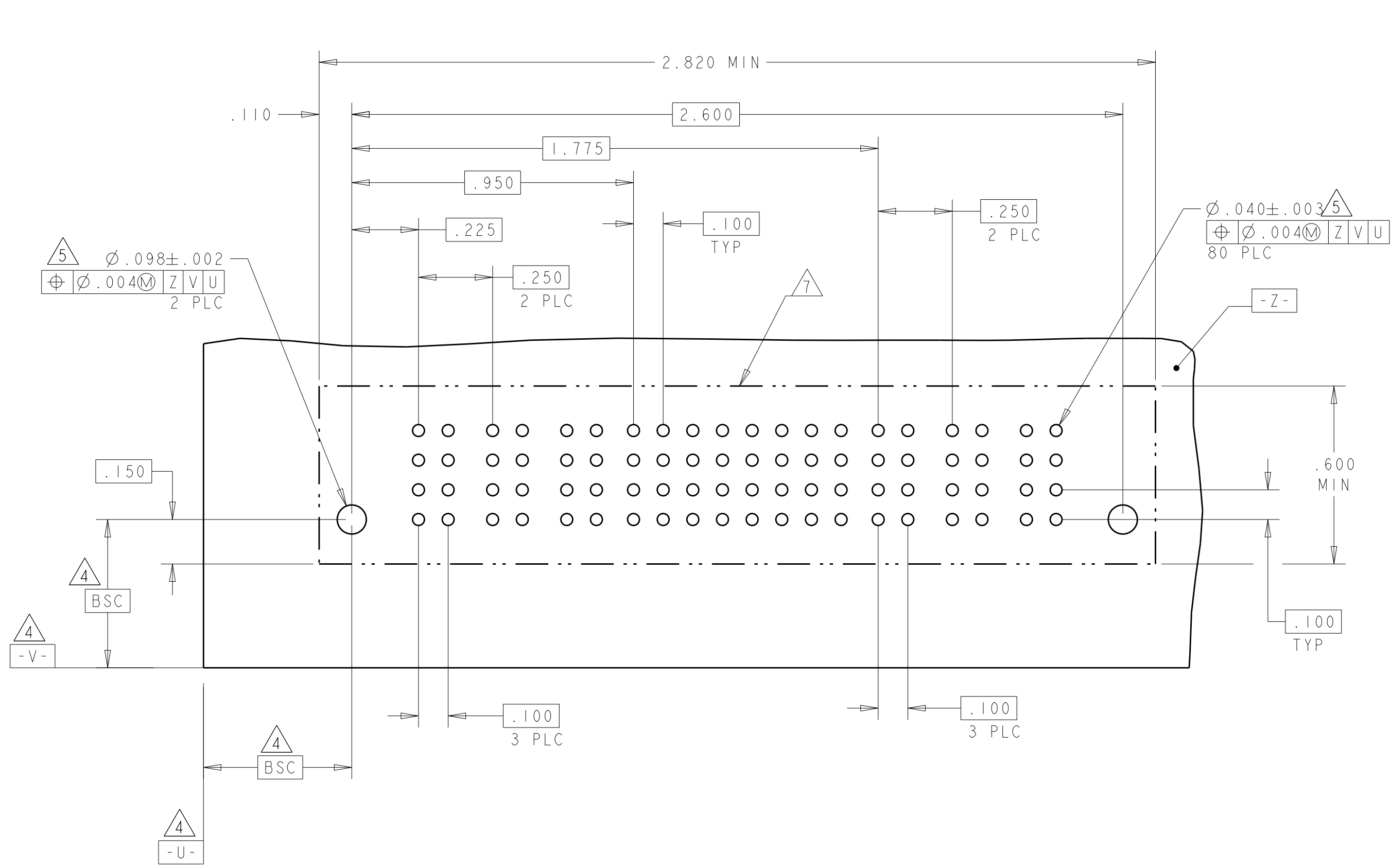
SIZE: A100779 C=6450820
 SCALE: - SHEET 6 OF 20 REV: G8

TE Connectivity

| LOC | DIST | REVISIONS | | | |
|-----|------|-------------|------|-----|------|
| P | LTN | DESCRIPTION | DATE | DMN | APVD |
| - | - | SEE SHEET 1 | - | - | - |

| PART NUMBER | ROWS | POWER | | | SIGNAL | | | | | | | | POWER | | | | | | |
|---------------|------------------|-------|----|----|--------|----|----|----|----|----|----|----|-------|----|----|----|----|----|----|
| | | P1 | P2 | P3 | 1 | 2 | 3 | 4 | 5 | 6 | 7 | 8 | P4 | P5 | P6 | | | | |
| 6450820-3 | D C B A | VM | VM | VM | EV | EV | EV | EV | EV | EV | EV | EV | EV | EV | VM | VM | VM | | |
| | | | | | EV | EV | EV | EV | EV | EV | EV | EV | EV | EV | EV | EV | EV | EV | EV |
| | | | | | EV | EV | EV | EV | EV | EV | EV | EV | EV | EV | EV | EV | EV | EV | EV |
| | | | | | EV | EV | EV | EV | EV | EV | EV | EV | EV | EV | EV | EV | EV | EV | EV |
| 3P + 32S + 3P | | | | | | | | | | | | | | | | | | | |

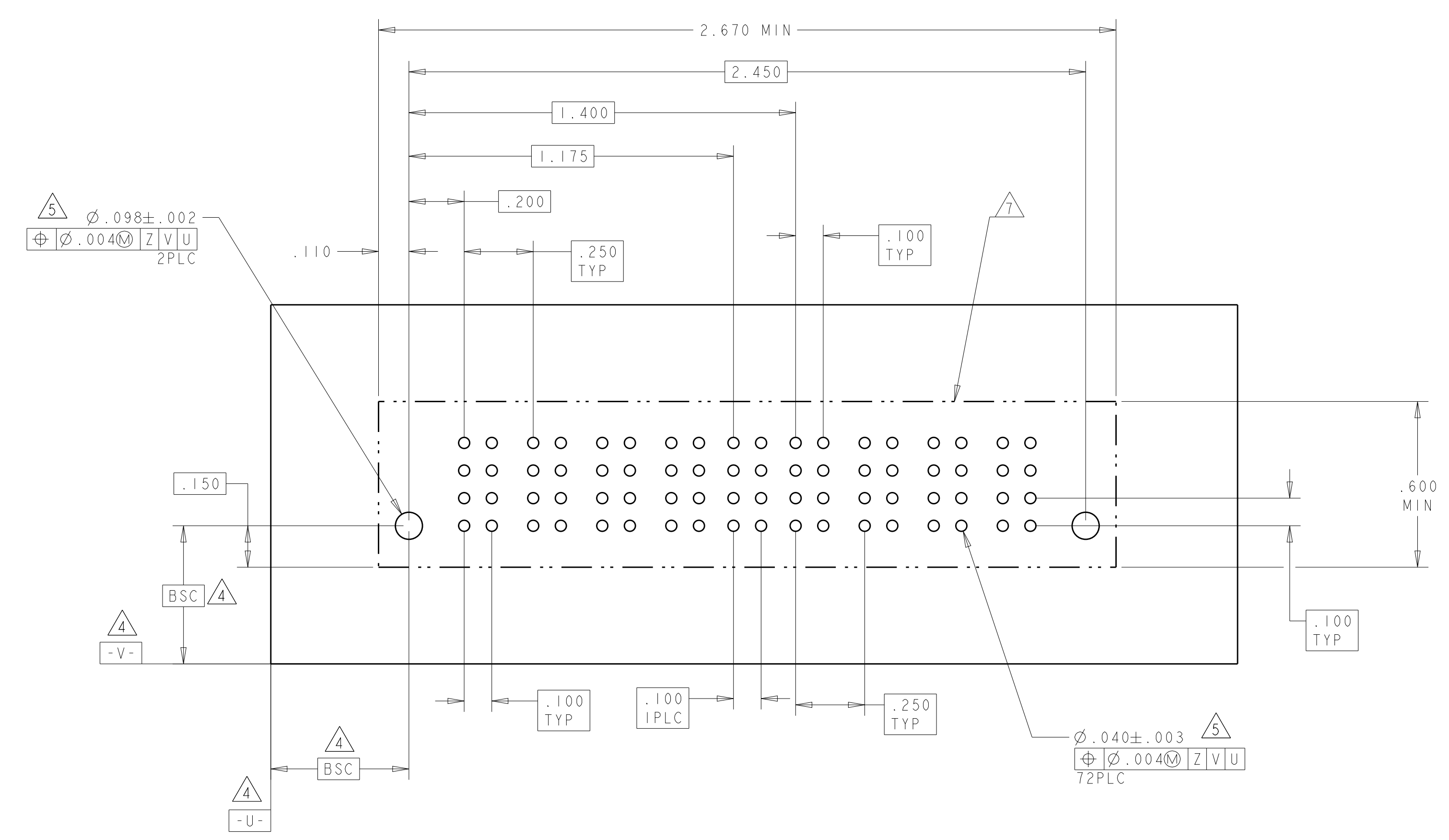
| PART NUMBER | ROWS | POWER | | | | | | SIGNAL | | POWER | | | | | |
|--------------|------------------|-------|----|----|----|----|----|--------|----|-------|----|----|-----|-----|-----|
| | | P1 | P2 | P3 | P4 | P5 | P6 | 1 | 2 | P7 | P8 | P9 | P10 | P11 | P12 |
| 6450820-4 | D C B A | VM | VM | VM | VM | VM | VM | EV | EV | VM | VM | VM | VM | VM | |
| | | | | | | | | EV | EV | VM | VM | VM | VM | VM | |
| | | | | | | | | EV | EV | VM | VM | VM | VM | VM | |
| | | | | | | | | EV | EV | VM | VM | VM | VM | VM | |
| 6P + 8S + 6P | | | | | | | | | | | | | | | |



| | | | |
|---|--|-----------------------------|---|
| THIS DRAWING IS A CONTROLLED DOCUMENT. | | DMN D. ZHU 15NOV2007 | TE Connectivity |
| DIMENSIONS: INCHES | | CHK S. ZHAO 15NOV2007 | |
| TOLERANCES UNLESS OTHERWISE SPECIFIED: | | APVD S. ZHAO | NAME VERTICAL HEADER ASSEMBLY W/ SHORT END MODULES, PRESS FIT MULTI-BEAM XLE |
| 0 PLC ±. 1 PLC ±.01 2 PLC ±.01 3 PLC ±.005 4 PLC ±.0020 ANGLES ±.020 | | PRODUCT SPEC 108-2292 | SIZE 114-13251 |
| MATERIAL | | APPLICATION SPEC | RESTRICTED TO |
| FINISH | | WEIGHT | A100779C=6450820 |
| | | Customer Drawing | SCALE - SHEET 7 OF 20 REV G8 |

| LOC | | DIST | | REVISIONS | | | |
|-----|-----|-------------|------|-----------|------|--|--|
| P | LTN | DESCRIPTION | DATE | DMN | APVD | | |
| - | - | SEE SHEET 1 | - | - | - | | |
| | | | | | | | |
| | | | | | | | |

| PART NUMBER | ROWS | HD | POWER | | | | SIGNAL | | POWER | | | | HD |
|--------------|------------------|----|-------|----|----|----|--------|----|-------|----|----|----|----|
| | | | P1 | P2 | P3 | P4 | 1 | 2 | P5 | P6 | P7 | P8 | |
| 6450820-5 | D C B A | | VM | VM | VM | VM | EV | EV | VM | VM | VM | VM | |
| 4P + 8S + 4P | | | | | | | | | | | | | |




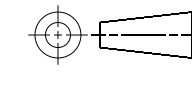
| | | | |
|--|--|-----------------------------|---|
| THIS DRAWING IS A CONTROLLED DOCUMENT. | | DMN D. ZHU 15NOV2007 | TE Connectivity |
| DIMENSIONS: INCHES | | CHK S. ZHAO 15NOV2007 | |
| | | APVD S. ZHAO | NAME VERTICAL HEADER ASSEMBLY W/ SHORT END MODULES, PRESS FIT MULTI-BEAM XLE |
| TOLERANCES UNLESS OTHERWISE SPECIFIED: | | PRODUCT SPEC | SIZE A100779 |
| 0 PLC ±.01 | | APPLICATION SPEC | CAGE CODE 6450820 |
| 1 PLC ±.01 | | 114-13251 | RESTRICTED TO |
| 2 PLC ±.005 | | WEIGHT | |
| 3 PLC ±.0020 | | Customer Drawing | SCALE |
| 4 PLC ±.0020 | | | SHEET 8 OF 20 |
| ANGLES ±.2° | | | REV G8 |
| FINISH | | | |

| LOC | DIST | REVISIONS | | | |
|-----|------|---------------|------|-----|------|
| P | LTN | DESCRIPTION | DATE | DMN | APVD |
| ES | 00 | - SEE SHEET 1 | - | - | - |
| | | | | | |
| | | | | | |

| PART NUMBER | ROWS | HD | POWER | | SIGNAL | | | | POWER | | | | | | | SIGNAL | | | | POWER | SIGNAL | | | HD | | |
|-------------------------------------|------------------|----|-------|----|--------|----|----|----|-------|----|----|----|----|----|----|--------|-----|-----|-----|-------|--------|----|----|----|-----|----|
| | | | P1 | P2 | 1 | 2 | 3 | 4 | P3 | P4 | P5 | P6 | P7 | P8 | P9 | P10 | P11 | P12 | P13 | 5 | 6 | 7 | 8 | | P14 | 9 |
| 6450820-7 | D C B A | HD | VM | | EV | EV | EV | EV | | VM | VM | | VM | | VM | | VM | VM | | EV | EV | EV | EV | | EV | ES |
| 2P+16S+1P+2ACP+5P+2ACP+1P+16S+1P+8S | | | | | EV | EV | EV | EV | | | | | | | | | | | | EV | EV | EV | EV | | EV | EF |
| | | | | | EV | EV | EV | EV | | | | | | | | | | | | EV | EV | EV | EV | | EV | EV |
| | | | | | ES | EV | EV | EV | | | | | | | | | | | | EV | EV | EV | EV | | EV | EV |

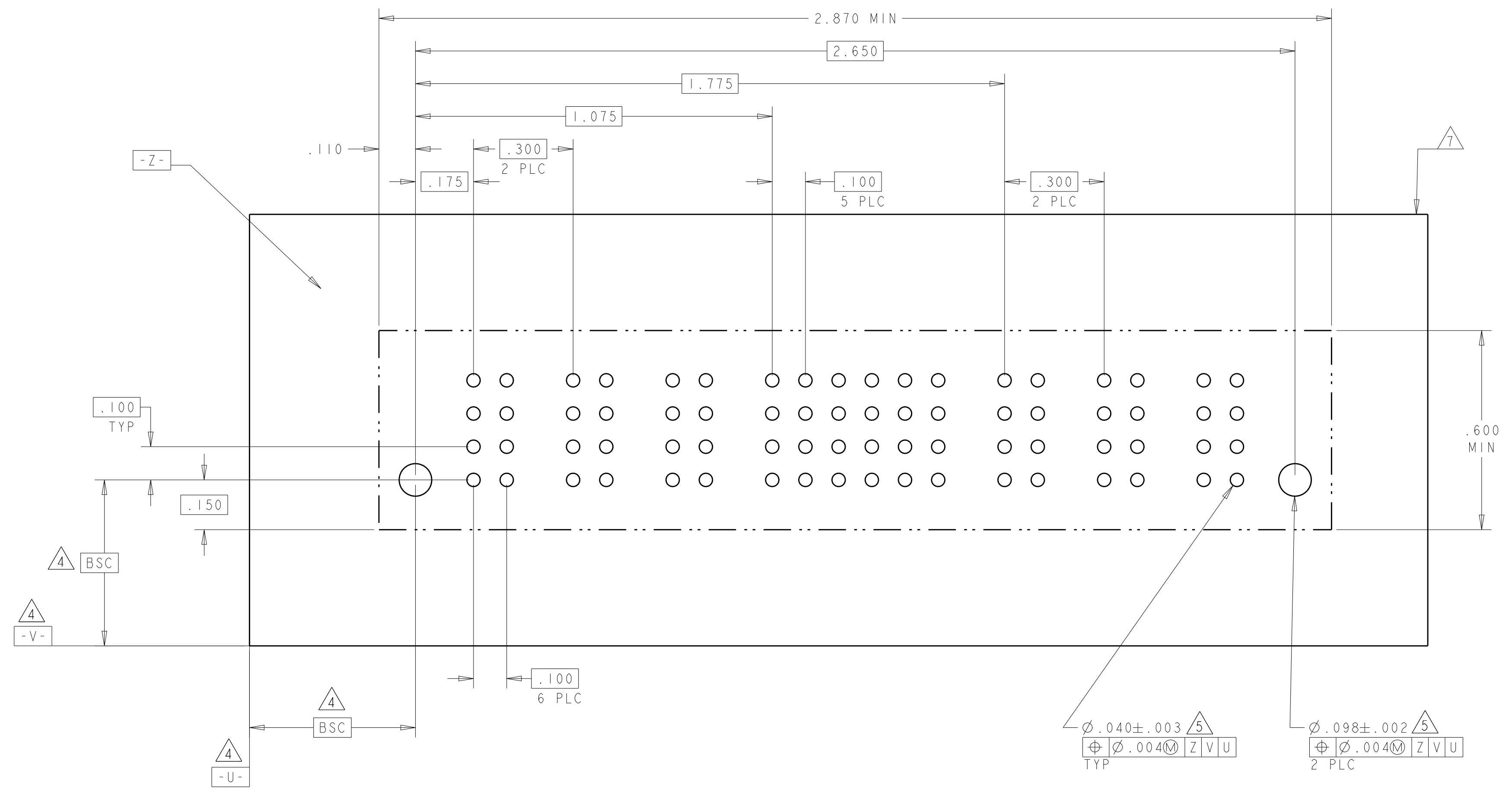
NO CONTACTS LOADED

THE PCB LAYOUT IS THE SAME AS 6450820-6.
 PLEASE SEE 6450820-6 FOR DETAIL DIM.

| | | | |
|--|--|-------------------------------|---|
| THIS DRAWING IS A CONTROLLED DOCUMENT. | | DMN D. ZHU 15NOV2007 |  TE Connectivity |
| DIMENSIONS: INCHES | | CHK S. ZHAO 15NOV2007 | |
| TOLERANCES UNLESS OTHERWISE SPECIFIED: 0 PLC ±. 1 PLC ±.01 2 PLC ±.01 3 PLC ±.005 4 PLC ±.0020 ANGLES ±.2° | | APVD S. ZHAO | NAME VERTICAL HEADER ASSEMBLY W/ SHORT END MODULES, PRESS FIT MULTI-BEAM XLE |
|  | | PRODUCT SPEC 108-2292 | SIZE A100779 |
| MATERIAL | | APPLICATION SPEC 114-13251 | DRAWING NO C=6450820 |
| FINISH | | WEIGHT | RESTRICTED TO |
| Customer Drawing | | SCALE | SHEET 10 OF 20 REV G8 |

| LOC | | DIST | | REVISIONS | | | |
|-----|----|------|-----|-------------|------|-----|------|
| ES | 00 | P | LTN | DESCRIPTION | DATE | DWN | APVD |
| | | - | | SEE SHEET 1 | | | |
| | | | | | | | |
| | | | | | | | |

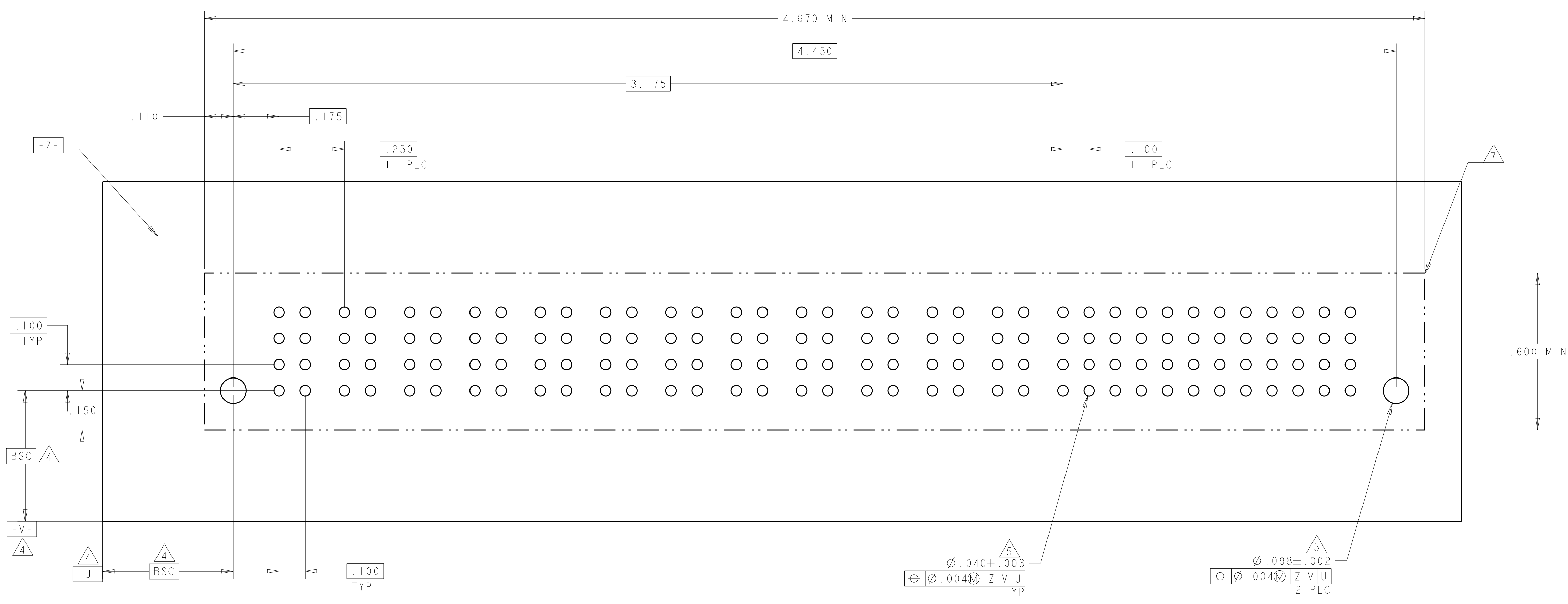
| PART NUMBER | ROWS | POWER | | | SIGNAL | | | | | | POWER | | |
|-------------------|------|-------|----|----|--------|----|----|----|----|----|-------|----|----|
| | | P1 | P2 | P3 | 1 | 2 | 3 | 4 | 5 | 6 | P4 | P5 | P6 |
| 1-6450820-3 | D | VM | VM | VM | EV | EV | EV | EV | EV | EV | VM | VM | VM |
| | C | | | | EV | EV | EV | EV | EV | EV | | | |
| | B | | | | EV | EV | EV | EV | EV | EV | | | |
| | A | | | | EV | EV | EV | EV | EV | EV | | | |
| 3ACP + 24S + 3ACP | | | | | | | | | | | | | |



| | | | | | |
|--|--|------------------|-----------|------------------|---|
| THIS DRAWING IS A CONTROLLED DOCUMENT. | | DWN D. ZHU | 15NOV2007 | | TE Connectivity |
| DIMENSIONS: INCHES | | CHK S. ZHAO | 15NOV2007 | | NAME VERTICAL HEADER ASSEMBLY W/ SHORT END MODULES, PRESS FIT MULTI-BEAM XLE |
| TOLERANCES UNLESS OTHERWISE SPECIFIED: | | APVD S. ZHAO | - | PRODUCT SPEC | |
| 0 PLC ± | | 108-2292 | | APPLICATION SPEC | |
| 1 PLC ±.01 | | 114-13251 | | WEIGHT | |
| 2 PLC ±.01 | | A100779C=6450820 | | SCALE | |
| 3 PLC ±.005 | | Customer Drawing | | SHEET 13 OF 20 | |
| 4 PLC ±.0020 | | | | REV G8 | |
| ANGLES ±.2° | | | | | |
| FINISH | | | | | |

| LOC | | DIST | | REVISIONS | | | | |
|-----|----|------|-----|-------------|------|-----|------|--|
| ES | 00 | P | LTH | DESCRIPTION | DATE | DMN | APVD | |
| | | - | | SEE SHEET 1 | | | | |
| | | | | | | | | |
| | | | | | | | | |

| PART NUMBER | ROWS | POWER | | | | | | | | | | | | SIGNAL | | | | | | | | | | | |
|-------------|------|-------|----|----|----|----|----|----|----|----|-----|-----|-----|--------|----|----|----|----|----|----|----|----|----|----|----|
| | | P1 | P2 | P3 | P4 | P5 | P6 | P7 | P8 | P9 | P10 | P11 | P12 | 1 | 2 | 3 | 4 | 5 | 6 | 7 | 8 | 9 | 10 | 11 | 12 |
| 1-6450820-7 | D | VM | VM | VM | VM | VM | VM | VM | VM | VM | VM | VM | VM | EV | EV | EV | EV | EV | EV | EV | EV | EV | EV | EV | EV |
| | C | VM | VM | VM | VM | VM | VM | VM | VM | VM | VM | VM | VM | EV | EV | EV | EV | EV | EV | EV | EV | EV | EV | EV | EV |
| | B | VM | VM | VM | VM | VM | VM | VM | VM | VM | VM | VM | VM | EV | EV | EV | EV | EV | EV | EV | EV | EV | EV | EV | EV |
| | A | VM | VM | VM | VM | VM | VM | VM | VM | VM | VM | VM | VM | EV | EV | EV | EV | EV | EV | EV | EV | EV | EV | EV | EV |
| 12P + 48S | | HD | | | | | | | | | | | | HD | | | | | | | | | | | |



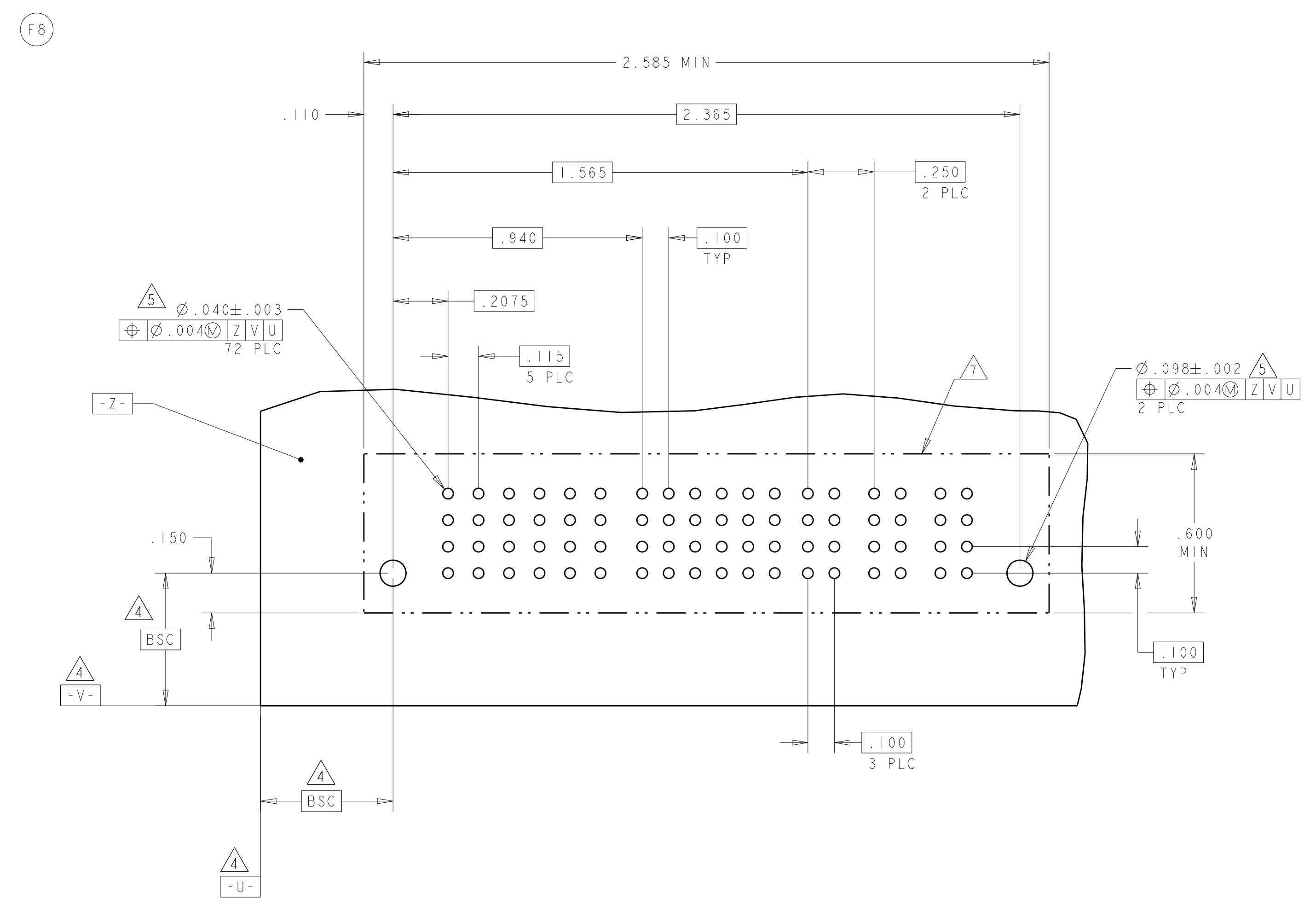
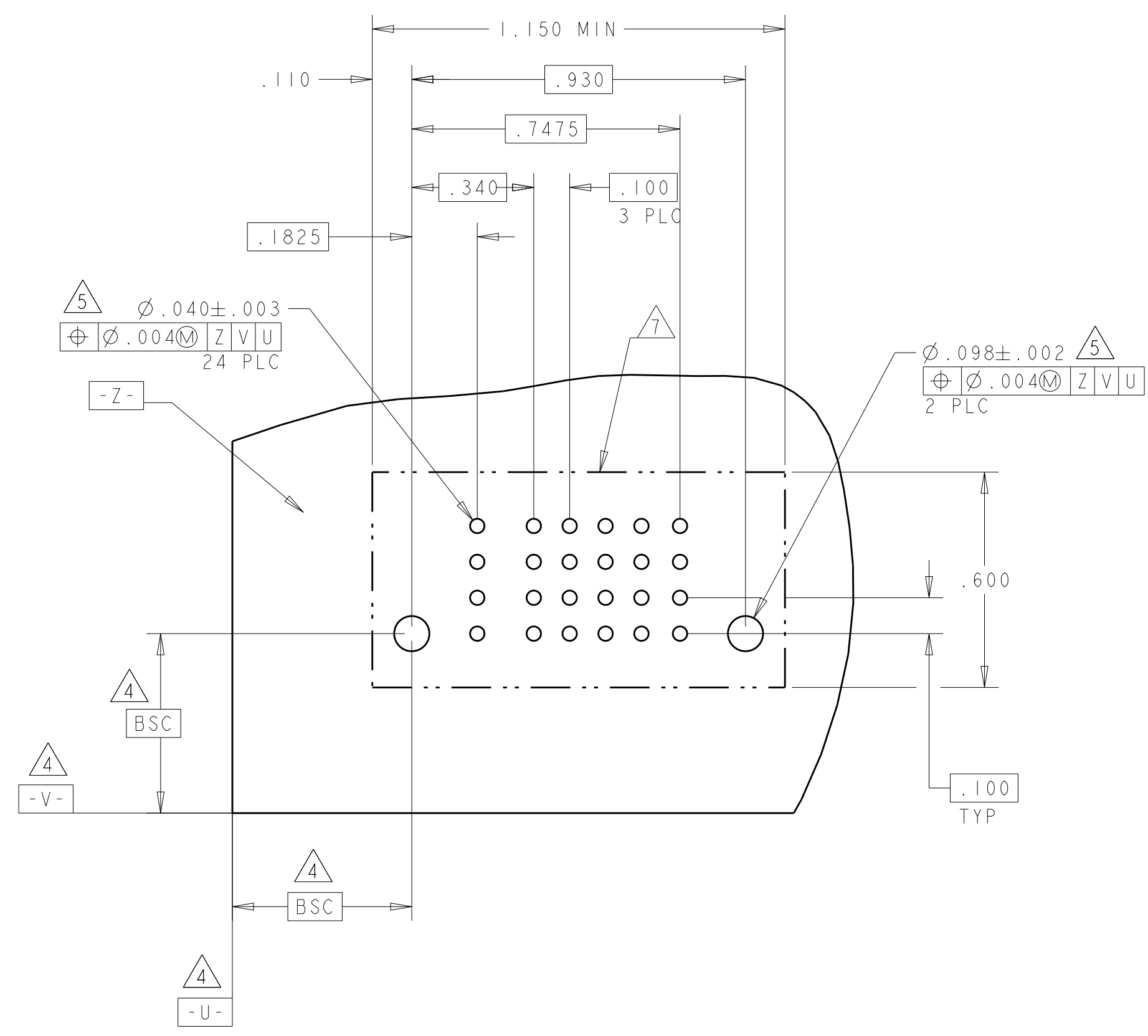
THIS DRAWING IS A CONTROLLED DOCUMENT.

| | | | | |
|-----------------------|---|---|---|---|
| DIMENSIONS: INCHES | TOLERANCES UNLESS OTHERWISE SPECIFIED: | DMN D. ZHU CHK S. ZHAO APVD S. ZHAO | 15NOV2007 15NOV2007 | TE Connectivity NAME VERTICAL HEADER ASSEMBLY W/ SHORT END MODULES, PRESS FIT MULTI-BEAM XLE |
| | 0 PLC ±. 1 PLC ±.01 2 PLC ±.01 3 PLC ±.005 4 PLC ±.0020 ANGLES ±7° | PRODUCT SPEC 108-2292 APPLICATION SPEC 114-13251 | SIZE CAGE CODE DRAWING NO A100779C=6450820 | |
| MATERIAL | FINISH | WEIGHT | | RESTRICTED TO |
| Customer Drawing | | SCALE | SHEET 14 OF 20 | REV G8 |

| LOC | DIST | REVISIONS | | | |
|-----|------|-------------|------|-----|------|
| P | LTN | DESCRIPTION | DATE | OWN | APVD |
| - | - | SEE SHEET 1 | - | - | - |

| PART NUMBER | ROWS | HD | POWER | | SIGNAL | | | | POWER | | HD |
|-----------------|------------------|----|-------|-----|--------|----|----|----|-------|--|----|
| | | | LP1 | LP2 | 1 | 2 | 3 | 4 | LP2 | | |
| 2-6450820-0 | D C B A | | LZ | LZ | EV | EV | EV | EV | LZ | | |
| 1LP + 16S + 1LP | | | | | | | | | | | |

| PART NUMBER | ROWS | HD | LOW POWER | | | | | | SIGNAL | | | | | | POWER | | | HD | | | |
|----------------|------------------|----|-----------|-----|-----|-----|-----|-----|--------|----|----|----|----|----|-------|----|----|----|----|----|--|
| | | | LP1 | LP2 | LP3 | LP4 | LP5 | LP6 | 1 | 2 | 3 | 4 | 5 | 6 | P1 | P2 | P3 | | | | |
| 2-6450820-1 | D C B A | | LZ | LZ | LZ | LZ | LZ | LZ | EV | EV | EV | EV | EV | EV | EV | EV | EV | VM | VM | VM | |
| 6LP + 24S + 3P | | | | | | | | | | | | | | | | | | | | | |



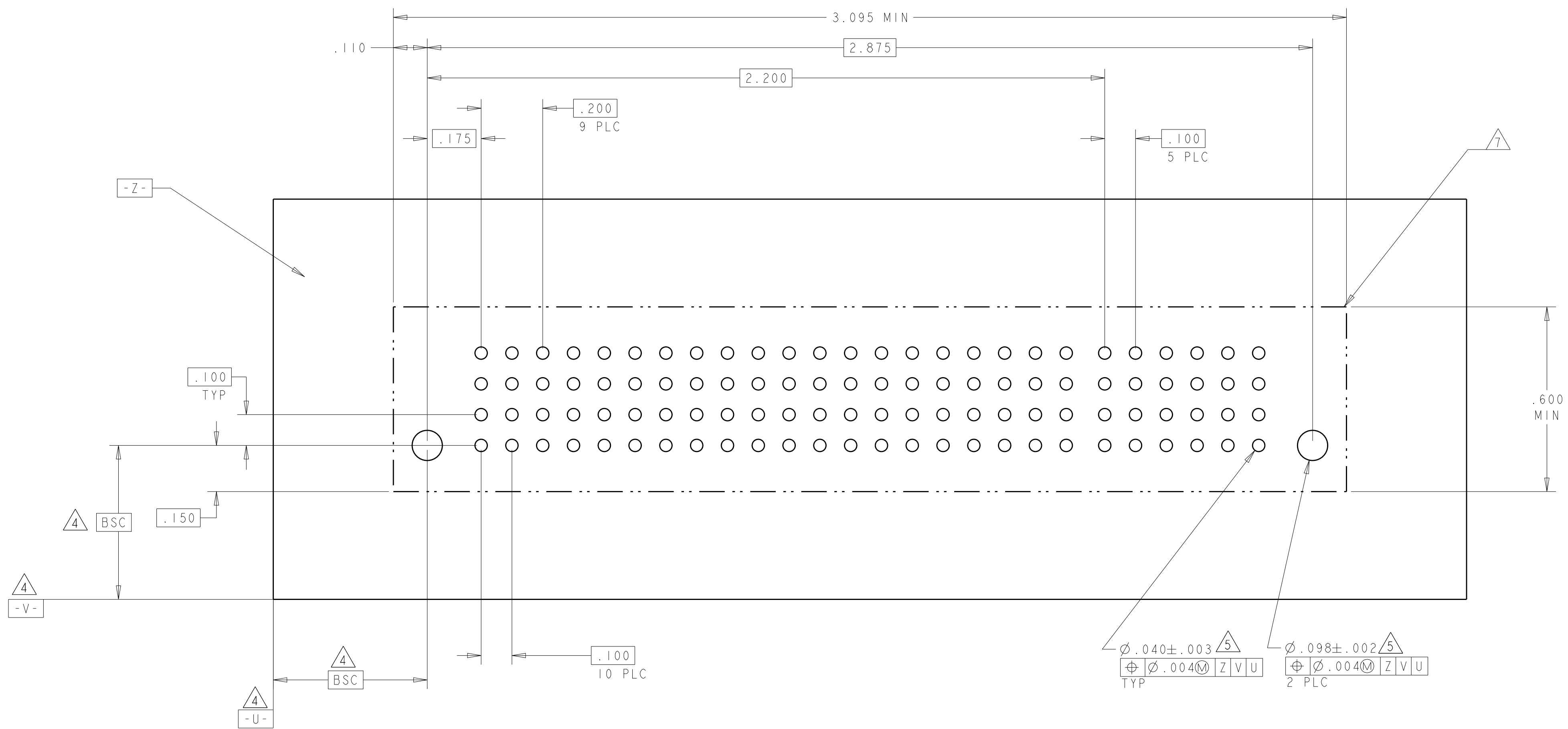
THIS DRAWING IS A CONTROLLED DOCUMENT.

| | | | | | | | | |
|-----------------------|--|---------|------------|------------|-------------|--------------|-------------|--------|
| DIMENSIONS: INCHES | TOLERANCES UNLESS OTHERWISE SPECIFIED: | 0 PLC ± | 1 PLC ±.01 | 2 PLC ±.01 | 3 PLC ±.005 | 4 PLC ±.0020 | ANGLES ±.7° | FINISH |
|-----------------------|--|---------|------------|------------|-------------|--------------|-------------|--------|

| | | |
|-----------------------------|-----------|---|
| OWN: D. ZHU | 15NOV2007 | TE Connectivity |
| CHK: S. ZHAO | 15NOV2007 | |
| APVD: S. ZHAO | | NAME: VERTICAL HEADER ASSEMBLY W/ SHORT END MODULES, PRESS FIT MULTI-BEAM XLE |
| PRODUCT SPEC: 108-2292 | | SIZE: A1 |
| APPLICATION SPEC: 114-13251 | | CAGE CODE: 6450820 |
| WEIGHT: - | | SCALE: - |
| MATERIAL: - | | SHEET 17 OF 20 |
| Customer Drawing | | REV: G8 |

| LOC | DIST | REVISIONS | | | | | |
|-----|------|-----------|-----|-------------|------|-----|------|
| | | P | LTN | DESCRIPTION | DATE | DMN | APVD |
| ES | 00 | - | - | SEE SHEET 1 | - | - | - |
| | | | | | | | |
| | | | | | | | |

| PART NUMBER | ROWS | POWER | | | | | | | | | | SIGNAL | | | | | |
|-------------|------|-------|----|----|----|----|----|----|----|----|-----|--------|----|----|----|----|----|
| | | P1 | P2 | P3 | P4 | P5 | P6 | P7 | P8 | P9 | P10 | 1 | 2 | 3 | 4 | 5 | 6 |
| 2-6450820-3 | D | VM | VM | VM | VM | VM | VM | VM | VM | VM | VM | EV | EV | EV | EV | EV | EV |
| | C | | | | | | | | | | | EV | EV | EV | EV | EV | EV |
| | B | | | | | | | | | | | EV | EV | EV | EV | EV | EV |
| | A | | | | | | | | | | | EV | EV | EV | EV | EV | EV |
| 10HDP + 24S | | HD | | | | | | | | | | HD | | | | | |

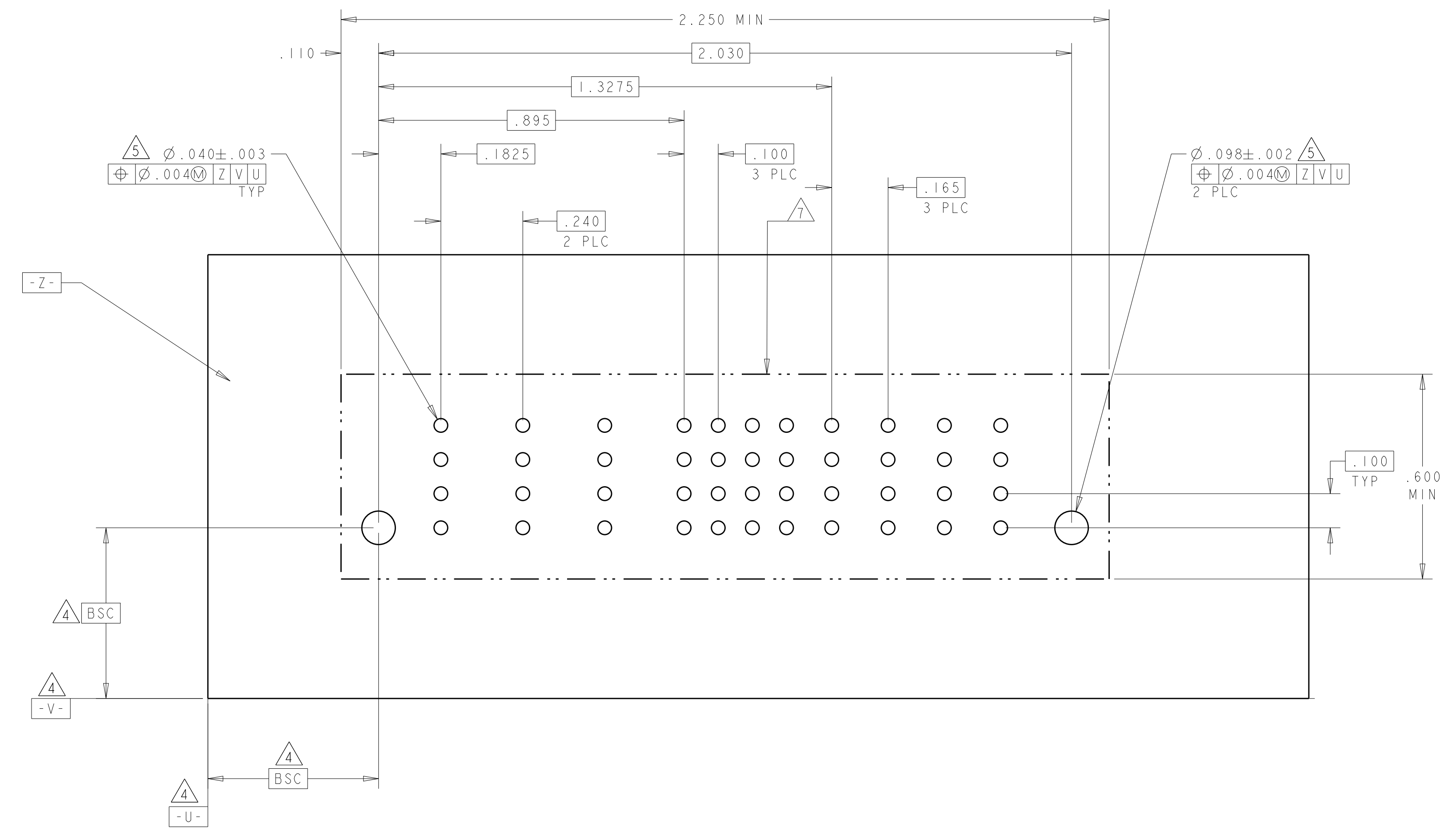


THIS DRAWING IS A CONTROLLED DOCUMENT.

| | | | | |
|-----------------------|--|---|---|--|
| DIMENSIONS: INCHES | TOLERANCES UNLESS OTHERWISE SPECIFIED: | DMN D. ZHU CHK S. ZHAO APVD S. ZHAO | 15NOV2007 15NOV2007 | TE Connectivity NAME VERTICAL HEADER ASSEMBLY W/ SHORT END MODULES, PRESS FIT MULTI-BEAM XLE |
| | 0 PLC ± 1 PLC ±.01 2 PLC ±.01 3 PLC ±.005 4 PLC ±.0020 ANGLES ±2° | PRODUCT SPEC 108-2292 APPLICATION SPEC 114-13251 WEIGHT Customer Drawing | SIZE A100779 CAGE CODE C=6450820 | |
| MATERIAL | FINISH | RESTRICTED TO | | SCALE - SHEET 19 OF 20 REV G8 |

| LOC | | DIST | | REVISIONS | | | |
|-----|----|------|-----|-------------|------|-----|------|
| ES | 00 | P | LTN | DESCRIPTION | DATE | DWN | APVD |
| - | - | - | - | SEE SHEET 1 | - | - | - |
| | | | | | | | |
| | | | | | | | |

| PART NUMBER | ROWS | HD | POWER | | | SIGNAL | | | | POWER | | | | HD | |
|-----------------|------|-------------|-------|-----|-----|--------|----|----|----|-------|-----|-----|-----|----|--|
| | | | LP1 | LP2 | LP3 | 1 | 2 | 3 | 4 | LP4 | LP5 | LP6 | LP7 | | |
| 2-6450820-5 | D | C B A | LZ | LZ | LZF | EV | EV | EV | ES | LZ | LZ | LZ | LZ | | |
| | EV | | | | | EV | EV | EV | | | | | | | |
| | EV | | | | | EV | EV | EV | | | | | | | |
| | EV | | | | | EV | EV | EV | | | | | | | |
| 3LP + 16S + 4LP | | | | | | | | | | | | | | | |



THIS DRAWING IS A CONTROLLED DOCUMENT.

| | | |
|---|--|---------------------|
| DWN: D. ZHU | 15NOV2007 | TE Connectivity |
| CHK: S. ZHAO | 15NOV2007 | |
| APVD: S. ZHAO | - | |
| NAME: VERTICAL HEADER ASSEMBLY W/ SHORT END MODULES, PRESS FIT MULTI-BEAM XLE | - | |
| DIMENSIONS: INCHES | TOLERANCES UNLESS OTHERWISE SPECIFIED: | PRODUCT SPEC |
| 0 PLC ± .01 | 1 PLC ± .01 | 108-2292 |
| 2 PLC ± .01 | 2 PLC ± .01 | APPLICATION SPEC |
| 3 PLC ± .005 | 3 PLC ± .005 | 114-13251 |
| 4 PLC ± .0020 | 4 PLC ± .0020 | SIZE: A1 |
| ANGLES ± .2° | FINISH | CAGE CODE: 6450820 |
| MATERIAL: - | FINISH: - | WEIGHT: - |
| Customer Drawing | | SCALE: - |
| SHEET 20 OF 20 | | REV: G8 |

Компания «Life Electronics» занимается поставками электронных компонентов импортного и отечественного производства от производителей и со складов крупных дистрибьюторов Европы, Америки и Азии.

С конца 2013 года компания активно расширяет линейку поставок компонентов по направлению коаксиальный кабель, кварцевые генераторы и конденсаторы (керамические, пленочные, электролитические), за счёт заключения дистрибьюторских договоров

Мы предлагаем:

- Конкурентоспособные цены и скидки постоянным клиентам.
- Специальные условия для постоянных клиентов.
- Подбор аналогов.
- Поставку компонентов в любых объемах, удовлетворяющих вашим потребностям.
- Приемлемые сроки поставки, возможна ускоренная поставка.
- Доставку товара в любую точку России и стран СНГ.
- Комплексную поставку.
- Работу по проектам и поставку образцов.
- Формирование склада под заказчика.
- Сертификаты соответствия на поставляемую продукцию (по желанию клиента).
- Тестирование поставляемой продукции.
- Поставку компонентов, требующих военную и космическую приемку.
- Входной контроль качества.
- Наличие сертификата ISO.

В составе нашей компании организован Конструкторский отдел, призванный помогать разработчикам, и инженерам.

Конструкторский отдел помогает осуществить:

- Регистрацию проекта у производителя компонентов.
- Техническую поддержку проекта.
- Защиту от снятия компонента с производства.
- Оценку стоимости проекта по компонентам.
- Изготовление тестовой платы монтаж и пусконаладочные работы.



Тел: +7 (812) 336 43 04 (многоканальный)
Email: org@lifeelectronics.ru