

300 MHz/450 MHz/600 MHz, MCU with Arm Cortex[®]-R4 and -M3*1, on-chip FPU, 498/747/996 DMIPS, up to 1 Mbyte of on-chip extended SRAM, Ethernet MAC, EtherCAT*1, USB 2.0 high-speed, CAN, various communications interfaces such as an SPI multi-I/O bus controller, $\Delta\Sigma$ interface, safety functions, encoder interfaces*1, and security functions*1

Features

■ On-chip 32-bit Arm Cortex-R4 processor

- High-speed realtime control with maximum operating frequency of 300/450/600 MHz
- Capable of 498/747/996 DMIPS (in operation at 300/450/600 MHz)
- On-chip 32-bit Arm Cortex-R4 (revision r1p4)
- Tightly coupled memory (TCM) with ECC: 512 Kbytes/32 Kbytes
- Instruction cache/data cache with ECC: 8 Kbytes per cache
- High-speed interrupt
- The FPU supports addition, subtraction, multiplication, division, multiply-and-accumulate, and square-root operations at single-precision and double-precision.
- Harvard architecture with 8-stage pipeline
- Supports the memory protection unit (MPU)
- Arm CoreSight architecture, includes support for debugging through JTAG and SWD interfaces

■ On-chip 32-bit Arm Cortex-M3 processor (in products incorporating an R-IN engine)

- 150-MHz operating frequency
- On-chip 32-bit Arm Cortex-M3 (revision r2p1)
- RISC Harvard architecture with 3-stage pipeline
- Supports the memory protection unit (MPU)

■ Low power consumption

- Standby mode, sleep mode, and module stop function

■ On-chip extended SRAM

- Up to 1 Mbyte of the on-chip extended SRAM with ECC
- 150 MHz

■ Data transfer

- DMAC: 16 channels \times 2 units
- DMAC for the Ethernet controller: 1 channel

■ Event link controller

- Module operations can be started by event signals rather than by interrupt handlers.
- Linked operation of modules is available even while the CPU is in the sleep state.

■ Reset and power supply voltage control

- Four reset sources including a pin reset
- Dual power-voltage configuration: 3.3 V (I/O unit), 1.2 V (internal)

■ Clock functions

- External clock/oscillator input frequency: 25 MHz
- CPU clock frequency: Up to 300/450/600 MHz
- Low-speed on-chip oscillator (LOCO): 240 kHz

■ Independent watchdog timer

- Operated by a clock signal obtained by frequency-dividing the clock signal from the low-speed on-chip oscillator: Up to 120 kHz

■ Safety functions

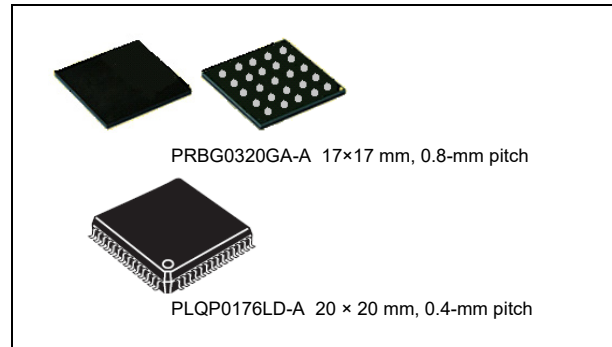
- Register write protection, input clock oscillation stop detection, CRC, IWDtA, and A/D self-diagnosis
- An error control module is incorporated to generate a pin signal output, interrupt, or internal reset in response to errors originating in the various modules.

■ Security functions (optional)*2

- Boot mode with security through encryption

■ Encoder interfaces (optional)*3

- 2 channels*4
- EnDat 2.2, BiSS-C, FA-CODER, A-format, and HIPERFACE DSL-compliant interfaces*5
- Frequency-divided output from an encoder



■ Various communications interfaces

- Ethernet
 - EtherCAT slave controller: 2 ports (optional)
 - Ethernet MAC: 1 port (an Ethernet switch is not used) or
 - Ethernet MAC: 1 port (an Ethernet switch to support 2 ports is used)
- USB 2.0 high-speed host/function : 1 channel
- CAN (compliant with ISO11898-1): 2 channels (max.)
- SCIFA with 16-byte transmission and reception FIFOs: 5 channels
- I²C bus interface: 2 channels for transfer at up to 400 kbps
- RSPiA: 4 channels
- SPIBSC: Provides a single interface for multi-I/O compatible serial flash memory

■ External address space

- Buses for high-speed data transfer at 75 MHz (max.)
- Support for up to 6 CS areas
- 8-, 16-, or 32-bit bus space is selectable per area

■ Up to 33 extended-function timers

- 16-bit TPUa (12 channels), MTU3a (9 channels), GPTa (4 channels): Input capture, output compare, PWM waveform output
- 16-bit CMT (6 channels), 32-bit CMTW (2 channels)

■ Serial sound interface (1 channel)

■ $\Delta\Sigma$ interface

- Up to 4 $\Delta\Sigma$ modulators are connectable externally.

■ 12-bit A/D converters

- 12 bits \times 2 units (max.) (8 channels for unit 0; 16 channels for unit 1)
- Self diagnosis
- Detection of analog input disconnection

■ Temperature sensor for measuring temperature within the chip

■ General-purpose I/O ports

- 5-V tolerance, open drain, input pull-up

■ Multi-function pin controller

- The locations of input/output functions for peripheral modules are selectable from among multiple pins.

■ Operating temperature range

- T_j = -40°C to +125°C
- T_j: Junction temperature

Note 1. Optional

Note 2. Details of these optional functions will only be disclosed after completion of a binding non-disclosure agreement. For details, contact our sales representative.

Note 3. For details, contact our sales representative.

Note 4. For use of two channels, use them in combination of any two protocols among EnDat2.2, BiSS-C, FA-CODER, and A-format.

Note 5. BiSS is a registered trademark of iC-Haus GmbH.

1. Overview

1.1 Outline of Specifications

This LSI circuit is a high-performance MCU equipped with the Arm Cortex[®]-R4 processor with FPU and Cortex-M3 processor (for products incorporating an R-IN engine), and incorporating integrated peripheral functions necessary for system configuration. Table 1.1 lists the specifications in outline, and Table 1.2 gives a comparison of the functions of products in different packages

Table 1.1 shows the outline of maximum specifications, and the number of peripheral module channels differs depending on the pin number on the package. For details, see Table 1.2, List of Functions.

Table 1.1 Outline of Specifications (1 / 7)

| Classification | Module/Function | Description |
|-----------------|---|---|
| CPU | Central processing unit (Cortex-R4) | <ul style="list-style-type: none"> Maximum operating frequency 320-pin FBGA: 300 MHz/450 MHz/600 MHz 176-pin HLQFP: 450 MHz 32-bit CPU Cortex-R4 designed by Arm (core revision r1p4) Address space: 4 Gbytes Instruction cache: 8 Kbytes (with ECC) Data cache: 8 Kbytes (with ECC) Tightly coupled memory (TCM) ATCM: 512 Kbytes (with ECC) BTCM: 32 Kbytes (with ECC) Instruction set: Arm v7-R architecture, so support includes Thumb[®] and Thumb-2 Data arrangement Instructions: Little endian Data: Little endian Memory protection unit (MPU) |
| | Central processing unit (Cortex-M3) (for products incorporating an R-IN engine) | <ul style="list-style-type: none"> Operating frequency: 150 MHz 32-bit CPU Cortex-M3 designed by Arm (core revision r2p1) Address space: 4 Gbytes Instruction set: Arm v7-M architecture, so support includes Thumb[®] and Thumb-2 Data arrangement Instructions: Little endian Data: Little endian Memory protection unit (MPU) |
| | FPU (Cortex-R4) | <ul style="list-style-type: none"> Supports addition, subtraction, multiplication, division, multiply-and-accumulate, and square-root operations at single- and double-precision. Registers 32-bit single-word registers: 32 bits × 32 (can be used as 16 double-word registers: 64 bits × 16) |
| Memory | On-chip extended SRAM with ECC | <ul style="list-style-type: none"> Capacity: Up to 1 Mbyte Operating frequency: 150 MHz SEC-DED (single error correction/double error detection) |
| Operating modes | | <ul style="list-style-type: none"> The operating mode can be selected from the following three boot modes SPI boot mode (for booting up from serial flash memory) 16-bit bus boot mode (NOR Flash) 32-bit bus boot mode (NOR Flash) |
| Clock | Clock generation circuit | <ul style="list-style-type: none"> The input clock can be selected from an external clock or external resonator. Detection of input clock oscillation stopping The following clocks are generated. CPU clock: 300/450/600 MHz (max.) System clock: 150 MHz (fixed) High-speed peripheral module clock: 150 MHz (fixed) Low-speed peripheral module clock: 75 MHz (fixed) ADCCLK in the 12-bit A/D converter (S12ADCa): 60 MHz (max.) External bus clock: 75 MHz (max.) Low-speed on-chip oscillator: 240 kHz (fixed) |
| Reset | | RES# pin reset, error control module (ECM) reset, software reset |

Table 1.1 Outline of Specifications (2 / 7)

| Classification | Module/Function | Description |
|-------------------------------------|---|--|
| Low power | Low-power consumption function | <ul style="list-style-type: none"> Standby mode (Cortex-R4) Sleep mode (Cortex-M3) (for products incorporating an R-IN engine) Module stop function |
| Interrupt | Cortex-R4 vector interrupt controller (VIC) | <ul style="list-style-type: none"> Peripheral function interrupts: 273 sources / 276 sources (for products incorporating an R-IN engine) External interrupts: 20 sources (NMI, IRQ0 to IRQ15, ETH0_INT, ETH1_INT, and ETH2_INT pins) Software interrupts: 1 source Non-maskable interrupts: 2 sources Sixteen levels specifiable for the order of priority |
| | Cortex-M3 nested-type vector interrupt controller (NVIC) (only included in products incorporating an R-IN engine) | <ul style="list-style-type: none"> Peripheral function interrupts: 82 sources External interrupts: 19 sources (IRQ0 to IRQ15, ETH0_INT, ETH1_INT, and ETH2_INT pins) Software interrupts: 1 source Non-maskable interrupts: 1 source Sixteen levels specifiable for the order of priority |
| External bus extension | Bus state controller (BSC) | <ul style="list-style-type: none"> The external address space is divided into six areas (CS0 to CS5) for management. The following features settable for each area independently. <ul style="list-style-type: none"> Bus size (8, 16, or 32 bits): Available sizes depend on the area. Number of access wait cycles (different wait cycles can be specified for read and write access cycles in some areas) Idle wait cycle insertion (between same area access cycles or different area access cycles) Specifying the memory to be connected to each area enables direct connection to SRAM, SRAM with byte selection, SDRAM, and burst ROM (clocked synchronous or asynchronous). The address/data multiplexed I/O (MPX) interface is also available. Outputs a chip select signal (CS0# to CS5#) according to the target area (CS assert or negate timing can be selected by software) SDRAM refresh <ul style="list-style-type: none"> Auto refresh or self-refresh mode selectable SDRAM burst access |
| Data transfer | Direct memory access controller (DMAC) | <ul style="list-style-type: none"> 2 units (16 channels for unit 0, 16 channels for unit 1) Transfer modes: Single transfer mode and block transfer mode Transfer size <ul style="list-style-type: none"> Unit 0: 1/2/4/16/32/64 bytes Unit 1: 1/2/4/16 bytes Activation sources: External requests (DREQ0 to DREQ2), external interrupts, on-chip peripheral module requests, and software requests |
| I/O ports | General-purpose I/O ports | <ul style="list-style-type: none"> 320-pin FBGA <ul style="list-style-type: none"> I/O pins: 209 Input pins: 9 Pull-up/pull-down resistors: 209 5-V tolerance: 9 176-pin HLQFP <ul style="list-style-type: none"> I/O pins: 97 Input pins: 5 Pull-up/pull-down resistors: 97 5-V tolerance: 5 |
| Event link controller (ELC) | | <ul style="list-style-type: none"> Up to 103 event signals can be interlinked with the operation of modules. In particular, the operation of timer modules can be started by input event signals. Event-linked operation of signals of ports B and E is to be possible. |
| Multi-function pin controller (MPC) | | The locations of input/output functions are selectable from among multiple pins. |

Table 1.1 Outline of Specifications (3 / 7)

| Classification | Module/Function | Description |
|----------------|--|---|
| Timers | 16-bit timer pulse unit (TPUa) | <ul style="list-style-type: none"> • (16 bits × 6 channels) × 2 units*2 • Maximum 16 lines of pulse input/output × 2 units • Select from among seven or eight counter-input clock signals for each channel (with maximum operating frequency of 75 MHz) • Input capture/output compare function • Counter clear operation (synchronous clearing by compare match/input capture) • Simultaneous writing to multiple timer counters (TCNT) • Simultaneous register input/output by synchronous counter operation • Output of PWM waveforms in up to 15 phases × 2 units in PWM mode • Support for buffered operation, phase-counting mode (two phase encoder input) and cascade-connected operation (32 bits × 4 channels) depending on the channel. • PPG output trigger can be generated (unit 0 only) • Capable of generating conversion start triggers for the A/D converters • Digital noise filtering of signals from the input capture pins • Event linking by the ELC (unit 0 only) |
| | Multifunction timer pulse unit (MTU3a) | <ul style="list-style-type: none"> • 9 channels (16 bits × 8 channels, 32 bits × 1 channel) • Maximum of 28 pulse-input/output and 3 pulse-input possible • Select from among 10, 11, 12 or 14 counter-input clock signals for each channel (with maximum operating frequency of 150 MHz) • Input capture function • 39 output compare/input capture registers • Counter clear operation (synchronous clearing by compare match/input capture) • Simultaneous writing to multiple timer counters (TCNT) • Simultaneous register input/output by synchronous counter operation • Buffered operation • Support for cascade-connected operation • Pulse output mode <ul style="list-style-type: none"> Toggle/PWM/complementary PWM/reset-synchronized PWM • Complementary PWM output mode <ul style="list-style-type: none"> Outputs non-overlapping waveforms for controlling 3-phase inverters Automatic specification of dead times PWM duty cycle: Selectable as any value from 0% to 100% Delay can be applied to requests for A/D conversion. Non-generation of interrupt requests at crest or trough values of counters can be selected. Double buffer configuration • Reset synchronous PWM mode <ul style="list-style-type: none"> Three phases of positive and negative PWM waveforms can be output with desired duty cycles. • Phase-counting mode: 16-bit mode (channels 1 and 2); 32-bit mode (channels 1 and 2 in cascade connection) • Counter functionality for dead-time compensation • Generation of triggers for A/D converter conversion • A/D converter start triggers can be skipped • Digital noise filter function for signals on the input capture and external counter clock pins • PPG output trigger can be generated • Event linking by the ELC |

Table 1.1 Outline of Specifications (4 / 7)

| Classification | Module/Function | Description |
|----------------|------------------------------------|--|
| Timers | General PWM timer (GPTa) | <ul style="list-style-type: none"> • 16 bits × 4 channels • Counting up or down (saw-wave), counting up and down (triangle-wave) selectable for all channels • Select from among four counter-input clock signals for each channel (with maximum operating frequency of 150 MHz) • 2 input/output pins per channel • 2 output compare/input capture registers per channel • For the 2 output compare/input capture registers of each channel, 4 registers are provided as buffer registers and are capable of operating as compare registers when buffering is not in use. • In output compare operation, buffer switching can be at crests or troughs, enabling the generation of laterally asymmetrically PWM waveforms. • Registers for setting up frame intervals on each channel (with capability for generating interrupts on overflow or underflow) • Synchronizable operation of the several counters • Modes of synchronized operation (synchronized, or displaced by desired times for phase shifting) • Generation of dead times in PWM operation • Through combination of three counters, generation of automatic three-phase PWM waveforms incorporating dead times • Starting, clearing, and stopping counters in response to external or internal triggers • Internal trigger sources: software, and compare-match • Generation of triggers for A/D converter conversion • Digital noise filter function for signals on the input capture and external trigger pins • Event linking by the ELC |
| | Programmable pulse generator (PPG) | <ul style="list-style-type: none"> • (4 bits × 4 groups) × 2 units*1 • Pulse output with the MTU3a or TPUa output as a trigger • Maximum of 32 pulse-output possible |
| | Compare match timer (CMT) | <ul style="list-style-type: none"> • (16 bits × 2 channels) × 3 units • Select from among four counter-input clock signals for each channel (with maximum operating frequency of 75 MHz) • Event linking by the ELC (channel 1 of unit 0 only) |
| | Compare match timer W (CMTW) | <ul style="list-style-type: none"> • (32 bits × 1 channel) × 2 units • Compare-match, input-capture input, and output-comparison output are available. • Select from among four counter-input clock signals for each channel (with maximum operating frequency of 75 MHz) • Interrupt requests can be output in response to compare-match, input-capture, and output-comparison events. • Digital noise filter function for signals on the input capture pins • Event linking by the ELC |
| | Watchdog timer (WDTA) | <ul style="list-style-type: none"> • 14 bits × 1 channel Products incorporating an R-IN engine: 14 bits × 2 channels • Select from among six counter-input clock signals for each channel (with maximum operating frequency of 75 MHz) |
| | Independent watchdog timer (IWDTa) | <ul style="list-style-type: none"> • 14 bits × 1 channel • Counter-input clock: Low-speed on-chip oscillator (LOCO)/2 Dedicated clock/1, dedicated clock/16, dedicated clock/32, dedicated clock/64, dedicated clock/128, dedicated clock/256 (with maximum operating frequency of 120 MHz) |
| | Port output enable 3 (POE3) | <ul style="list-style-type: none"> • Control of the high-impedance state of the MTU3a / GPTa's waveform output pins • Initiation by inputs on 4 pins, POE0#, POE4#, POE8#, and POE10# • Initiation on detection of short-circuited outputs (detection of simultaneous PWM output to the active level) • Initiation by input clock oscillation-stoppage detection, PLL oscillation abnormality detection, or software • Additional programming of output control target pins is enabled |

Table 1.1 Outline of Specifications (5 / 7)

| Classification | Module/Function | Description |
|------------------------|--|--|
| Communication function | Ethernet MAC (ETHERC) | <ul style="list-style-type: none"> • 1 port (Use of two ports is possible with the Ethernet switch function) • IEEE802.3 is supported • 10BASE and 100BASE are supported • Full duplex and half duplex are supported • Automatic pause packet transmission function • Auto broadcast suspension function by the pause packet reception • MII/RMII interface is supported |
| | Ethernet switch | <ul style="list-style-type: none"> • 2-port PHY interfaces • IEEE802.3 • 10BASE and 100BASE are supported • Full and half duplex • Hardware switching, lookup, and filtering • QoS with frame prioritization • Priority control based on VLAN Priority (IEEE802.1q), which enables priority reassignment • Classification and priority assignment based on IPv4 DiffServ Code Point Field, IPv6 Class of Service • Queue with four priority levels • Multicasting and broadcasting • VLAN frame • IEEE1588 timer module • Cut-through and hub features • Device level ring (DLR) |
| | EtherCAT Slave Controller (ECATC) *2 | <ul style="list-style-type: none"> • 1 channel (2 ports) *3 • EtherCAT Slave Controller IP core (made by Beckhoff Automation GmbH) implemented |
| | USB 2.0 HS host/function module | <ul style="list-style-type: none"> • 1 port • Compliance with the USB 2.0 specification • Transfer rate High speed (480 Mbps), full speed (12 Mbps) • Communications buffer Incorporates 1 Kbyte of RAM for host mode Incorporates 8 Kbytes of RAM for function mode |
| | Serial communication interface with FIFO (SCIFA) | <ul style="list-style-type: none"> • 5 channels • Serial communications modes: Asynchronous, clock synchronous • On-chip baud rate generator allows selection of the desired bit rate • Choice of LSB-first or MSB-first transfer • Both the transmission and reception sections are equipped with 16-byte FIFO buffers, allowing continuous transmission and reception. • Bit rate modulation |
| | I ² C bus interface (RIICa) | <ul style="list-style-type: none"> • 2 channels • Supports I²C bus format • Supports the multi-master • Max. transfer rate: 400 kbps • Event linking by the ELC |
| | CAN module (RSCAN) | <ul style="list-style-type: none"> • 2 channels • Compliance with the ISO11898-1 specification (standard frame and extended frame) • Message buffers Max. 64 × 2 channels of reception message buffers, which are used by all channels 16 transmission message buffers per channel • Max. transfer rate: 1 Mbps |

Table 1.1 Outline of Specifications (6 / 7)

| Classification | Module/Function | Description |
|------------------------|---------------------------------------|--|
| Communication function | Serial peripheral interface (RSPiA) | <ul style="list-style-type: none"> • 4 channels • RSPi transfer facility Using the MOSI (master out slave in), MISO (master in slave out), SSL (slave select), and RSPCK (RSPi clock) signals enables serial transfer through SPI operation (four lines) or clock-synchronous operation (three lines) Capable of handling serial transfer as a master or slave • Data formats Switching between MSB first and LSB first The number of bits in each transfer can be changed to any number of bits from 8 to 16, or 20, 24, or 32 bits. 128-bit buffers for transmission and reception Up to four frames can be transmitted or received in a single transfer operation (with each frame having up to 32 bits) • Buffered structure Double buffers for both transmission and reception • RSPCK can be stopped automatically with the reception buffer full for master reception • Event linking by the ELC |
| | SPI multi I/O bus controller (SPIBSC) | <ul style="list-style-type: none"> • 1 channel • One serial flash memory with multiple I/O bus sizes (single/dual/quad) can be connected. • External address space read mode (built-in read cache) • SPI operating mode • Clock polarity and clock phase can be selected. • Maximum transfer rate: 300 Mbps (for quad) |
| | Serial sound interface (SSI) | <ul style="list-style-type: none"> • 1 channel • Duplex communication • Support of various serial audio formats • Support of master and slave functions • Generation of serial bit clock • Support of 8, 16, 18, 20, 22, 24, and 32-bit data formats • Support of eight-stage FIFO for transmission and reception • Support of WS continue mode in which the SSIWS signal is not stopped. |
| | $\Delta\Sigma$ interface (DSMIF) | <ul style="list-style-type: none"> • 4 channels (unit 0: 3 channels, unit 1: 1 channel) • Up to 4 $\Delta\Sigma$ modulators are externally connectable • Sync filter can be selected as first, second, or third order |
| | 12-bit A/D converter (S12ADCa) | <ul style="list-style-type: none"> • 12 bits \times 2 units (unit 0: 8 channels, unit 1: 16 channels)*1 • 12-bit resolution • Conversion time Unit 0: 0.483 μs per channel Unit 1: 0.883 μs per channel • Operating mode Scan mode (single scan mode, continuous scan mode, or group scan mode) Group A priority control (only for group scan mode) • Sample-and-hold function Common sample-and-hold circuit included In addition, channel-dedicated sample-and-hold function (4 channels: in unit 0 only) included • Sampling variable Sampling time can be set up for each channel • Self-diagnostic function The self-diagnostic function internally generates three analog input voltages (unit 0: VREFL0, VREFH0 \times 1/2, VREFH0; unit 1: VREFL1, VREFH1 \times 1/2, VREFH1) • Double trigger mode (A/D conversion data duplicated) • Detection of analog input disconnection • Three ways to start A/D conversion Software trigger, timer (MTU3a, GPTa, TPUa) trigger, external trigger • Event linking by the ELC |
| | Temperature sensor | <ul style="list-style-type: none"> • 1 channel • Relative precision: $\pm 1^\circ\text{C}$ • The voltage of the temperature is converted into a digital value by the 12-bit A/D converter (unit 0). |

Table 1.1 Outline of Specifications (7 / 7)

| Classification | Module/Function | Description |
|---------------------------------|---------------------------------------|---|
| Safety | Register write protection function | Protects important registers from being overwritten in cases where a program runs out of control. |
| | CRC calculator (CRC) | <ul style="list-style-type: none"> • CRC code generation for arbitrary amounts of data in 8-, 16-, or 32-bit units • Select any of four generating polynomials: $X^{32} + X^{26} + X^{23} + X^{22} + X^{16} + X^{12} + X^{11} + X^{10} + X^8 + X^7 + X^5 + X^4 + X^2 + X + 1$ (32-Ethernet), $X^{16} + X^{12} + X^5 + 1$ (16-CCITT), $X^8 + X^4 + X^3 + X^2 + 1$ (8-SAEJ1850), $X^8 + X^5 + X^3 + X^2 + X + 1$ (8-0x2F) |
| | Input clock oscillation stop function | Input clock oscillation stop detection: Available |
| | Clock monitor circuit (CLMA) | Monitors the abnormal output clock frequency from the PLL circuit or low-speed on-chip oscillator. |
| | Data operation circuit (DOC) | The function to compare, add, or subtract 16-bit data |
| | Error control module (ECM) | <ul style="list-style-type: none"> • Generates an interrupt, internal reset, or error output for the error signal input from each module. • Time-out function • The error control is duplicated in the master and the checker. |
| Security | Secure boot mode ⁴ | As an option, a boot mode with encryption as a security function is available. |
| Encoder interfaces ⁵ | | <ul style="list-style-type: none"> • 2 channels⁶ • EnDat 2.2, BiSS-C, FA-CODER, A-format, and HIPERFACE DSL-compliant interfaces • Frequency-divided output from an encoder |
| Power supply voltage | | VDD = PLLVDD0 = PLLVDD1 = DVDD_USB = 1.14 to 1.26 V VCCQ33 = AVCC0 = AVCC1 = VREFH0 = VREFH1 = VDD33_USB = 3.0 to 3.6 V |
| Operating temperature | | Tj = -40 to +125°C |
| Package | | 320-pin FBGA: 17 × 17 mm, 0.8-mm pitch PRBG0320GA-A 176-pin HLQFP: 20 × 20 mm, 0.4-mm pitch PLQP0176LD-A |
| Debugging interface | | <ul style="list-style-type: none"> • CoreSight architecture designed by Arm • Debugging function by the JTAG/SWD interface, and trace function by the trace port/SWV interface |

Note 1. One unit for 176-pin devices (only unit 0 is provided)

Note 2. EtherCAT is a registered trademark of Beckhoff Automation GmbH, Germany. (optional)

Note 3. Not included in 176-pin devices.

Note 4. See Table 1.3, List of Products, for the products that have the secure boot mode. Details of these optional functions will only be disclosed after completion of a binding non-disclosure agreement. For details, contact our sales representative.

Note 5. This applies to the devices with the encoder interfaces. For details, contact our sales representative.

Note 6. For use of two channels, use them in combination of any two protocols among EnDat2.2, BiSS-C, FA-CODER, and A-format.

Table 1.2 Comparison of Functions for Different Packages

| Module/Function | | RZ/T1 Group | | |
|----------------------------------|--|--|------------------------------|--|
| | | 320 Pins | | 176 Pins |
| | | R-IN Engine Incorporated | R-IN Engine Not-Incorporated | |
| External bus | External bus width | 32 bits | | |
| Interrupt | External interrupt | NMI, IRQ0 to IRQ15, ETH0_INT, ETH1_INT, ETH2_INT | | NMI, IRQ0 to IRQ15, ETH0_INT, ETH1_INT |
| DMA | DMA controller (DMAC) | ch0 to ch31 | | |
| Timers | 16-bit timer pulse unit (TPUa) | ch0 to ch11 (Unit 0, Unit 1) | | ch0 to ch5 (Unit 0) |
| | Multi-function timer pulse unit 3 (MTU3a) | ch0 to ch8 | | |
| | General-purpose PWM timer (GPTa) | ch0 to ch3 | | |
| | Port output enable 3 (POE3) | Available | | |
| | Programmable pulse generator (PPG) | Unit 0, Unit 1 | | Unit 0 |
| | Compare match timer (CMT) | ch0 to ch5 | | |
| | Compare match timer W (CMTW) | ch0, ch1 | | |
| | Watchdog timer (WDTA) | ch0, ch1 | ch0 | |
| | Independent watchdog timer (IWDTa) | Available | | |
| Communication function | Ethernet controller (ETHERC) | 1 port*1 | | |
| | EtherCAT slave controller (ECATC) | 2 ports*1 | 2 ports*1 (optional) | Not supported |
| | USB 2.0 HS host/function module (USB) | ch0 | | |
| | Serial communications interface with FIFO (SCIFA) | ch0 to ch4 | | |
| | I ² C bus interface (RIICa) | ch0, ch1 | | |
| | Serial peripheral interface (RSPIa) | ch0 to ch3 | | |
| | CAN module (RSCAN) | ch0, ch1 | | |
| | SPI multi I/O bus controller (SPIBSC) | ch0 | | |
| Serial sound interface (SSI) | ch0 | | | |
| $\Delta\Sigma$ interface (DSMIF) | ch0 to ch3 | | | |
| 12-bit A/D converter (S12ADCa) | AN000 to AN007 (unit 0) AN100 to AN115 (unit 1) | | AN000 to AN007 (unit 0) | |
| Temperature sensor | Available | | | |
| CRC calculator (CRC) | Available | | | |
| Data operation circuit (DOC) | Available | | | |
| Clock monitor circuit (CLMA) | Available | | | |
| Secure boot mode*2 | Optional | | | |
| Event link controller (ELC) | Available | | | |
| Encoder interfaces*3 | Optional | | Not supported | |

Note 1. Combining the Ethernet controller and the EtherCAT slave controller (optional) makes a total of three ports. The Ethernet controller can support two ports with the use of the Ethernet switch.

Note 2. See Table 1.3, List of Products for the products that have the secure boot mode. Details of these optional functions will only be disclosed after completion of a binding non-disclosure agreement. For details, contact our sales representative.

Note 3. For details, contact our sales representative.

1.2 List of Products

Table 1.3 is a list of products.

Table 1.3 List of Products (1 / 2)

| Part No. | Package | CPU | On-Chip Extended SRAM Capacity | EtherCAT | Operating Frequency (max.) | Security Function *1 | Optional Function |
|--------------|----------------------------|-----------|---|------------------|----------------------------------|----------------------------|---|
| R7S910001CFP | 176 pins (PLQP0176LD-A) | Cortex-R4 | Not supported | Not supported | 450 MHz | Not supported | — |
| R7S910101CFP | 176 pins (PLQP0176LD-A) | Cortex-R4 | Not supported | Not supported | 450 MHz | Available | — |
| R7S910002CBG | 320 pins (PRBG0320GA-A) | Cortex-R4 | Not supported | Not supported | 450 MHz | Not supported | — |
| R7S910102CBG | 320 pins (PRBG0320GA-A) | Cortex-R4 | Not supported | Not supported | 450 MHz | Available | — |
| R7S910006CBG | 320 pins (PRBG0320GA-A) | Cortex-R4 | 1 Mbyte | Not supported | 450 MHz | Not supported | — |
| R7S910106CBG | 320 pins (PRBG0320GA-A) | Cortex-R4 | 1 Mbyte | Not supported | 450 MHz | Available | — |
| R7S910007CBG | 320 pins (PRBG0320GA-A) | Cortex-R4 | 1 Mbyte | Not supported | 600 MHz | Not supported | — |
| R7S910107CBG | 320 pins (PRBG0320GA-A) | Cortex-R4 | 1 Mbyte | Not supported | 600 MHz | Available | — |
| R7S910011CBG | 320 pins (PRBG0320GA-A) | Cortex-R4 | Not supported | Not supported | 450 MHz | Not supported | Encoder I/F |
| R7S910111CBG | 320 pins (PRBG0320GA-A) | Cortex-R4 | Not supported | Not supported | 450 MHz | Available | Encoder I/F |
| R7S910013CBG | 320 pins (PRBG0320GA-A) | Cortex-R4 | 1 Mbyte | Not supported | 600 MHz | Not supported | Encoder I/F |
| R7S910113CBG | 320 pins (PRBG0320GA-A) | Cortex-R4 | 1 Mbyte | Not supported | 600 MHz | Available | Encoder I/F |
| R7S910015CBG | 320 pins (PRBG0320GA-A) | Cortex-R4 | (1 MB for R- IN Engine) | Supported | 450 MHz | Not supported | R-IN Engine (CM3 : 150MHz) |
| R7S910115CBG | 320 pins (PRBG0320GA-A) | Cortex-R4 | (1 MB for R- IN Engine) | Supported | 450 MHz | Available | R-IN Engine (CM3 : 150MHz) |
| R7S910016CBG | 320 pins (PRBG0320GA-A) | Cortex-R4 | (1 MB for R- IN Engine) | Supported | 450 MHz | Not supported | Encoder I/F R-IN Engine (CM3 : 150MHz) |
| R7S910116CBG | 320 pins (PRBG0320GA-A) | Cortex-R4 | (1 MB for R- IN Engine) | Supported | 450 MHz | Available | Encoder I/F R-IN Engine (CM3 : 150MHz) |
| R7S910017CBG | 320 pins (PRBG0320GA-A) | Cortex-R4 | (1 MB for R- IN Engine) | Supported | 600 MHz | Not supported | R-IN Engine (CM3 : 150MHz) |
| R7S910117CBG | 320 pins (PRBG0320GA-A) | Cortex-R4 | (1 MB for R- IN Engine) | Supported | 600 MHz | Available | R-IN Engine (CM3 : 150MHz) |
| R7S910018CBG | 320 pins (PRBG0320GA-A) | Cortex-R4 | (1 MB for R- IN Engine) | Supported | 600 MHz | Not supported | Encoder I/F R-IN Engine (CM3 : 150MHz) |

Table 1.3 List of Products (2 / 2)

| Part No. | Package | CPU | On-Chip Extended SRAM Capacity | EtherCAT | Operating Frequency (max.) | Security Function *1 | Optional Function |
|--------------|----------------------------|-----------|--------------------------------|-----------|----------------------------|----------------------|--|
| R7S910118CBG | 320 pins (PRBG0320GA-A) | Cortex-R4 | (1 MB for R-IN Engine) | Supported | 600 MHz | Available | Encoder I/F R-IN Engine (CM3 : 150 MHz) |
| R7S910025CBG | 320 pins (PRBG0320GA-A) | Cortex-R4 | 1 MB | Supported | 450 MHz | Not supported | — |
| R7S910125CBG | 320 pins (PRBG0320GA-A) | Cortex-R4 | 1 MB | Supported | 450 MHz | Available | — |
| R7S910026CBG | 320 pins (PRBG0320GA-A) | Cortex-R4 | 1 MB | Supported | 450 MHz | Not supported | Encoder I/F |
| R7S910126CBG | 320 pins (PRBG0320GA-A) | Cortex-R4 | 1 MB | Supported | 450 MHz | Available | Encoder I/F |
| R7S910027CBG | 320 pins (PRBG0320GA-A) | Cortex-R4 | 1 MB | Supported | 600 MHz | Not supported | — |
| R7S910127CBG | 320 pins (PRBG0320GA-A) | Cortex-R4 | 1 MB | Supported | 600 MHz | Available | — |
| R7S910028CBG | 320 pins (PRBG0320GA-A) | Cortex-R4 | 1 MB | Supported | 600 MHz | Not supported | Encoder I/F |
| R7S910128CBG | 320 pins (PRBG0320GA-A) | Cortex-R4 | 1 MB | Supported | 600 MHz | Available | Encoder I/F |
| R7S910035CBG | 320 pins (PRBG0320GA-A) | Cortex-R4 | Not supported | Supported | 300 MHz | Not supported | — |
| R7S910135CBG | 320 pins (PRBG0320GA-A) | Cortex-R4 | Not supported | Supported | 300 MHz | Available | — |
| R7S910036CBG | 320 pins (PRBG0320GA-A) | Cortex-R4 | Not supported | Supported | 300 MHz | Not supported | Encoder I/F |
| R7S910136CBG | 320 pins (PRBG0320GA-A) | Cortex-R4 | Not supported | Supported | 300 MHz | Available | Encoder I/F |

Note: See the separate documents regarding the encoder I/F.

Note 1. Details of these optional functions will only be disclosed after completion of a binding non-disclosure agreement. For details, contact our sales representative.

1.3 Block Diagram

Figure 1.1 shows a block diagram of a 320-pin device.

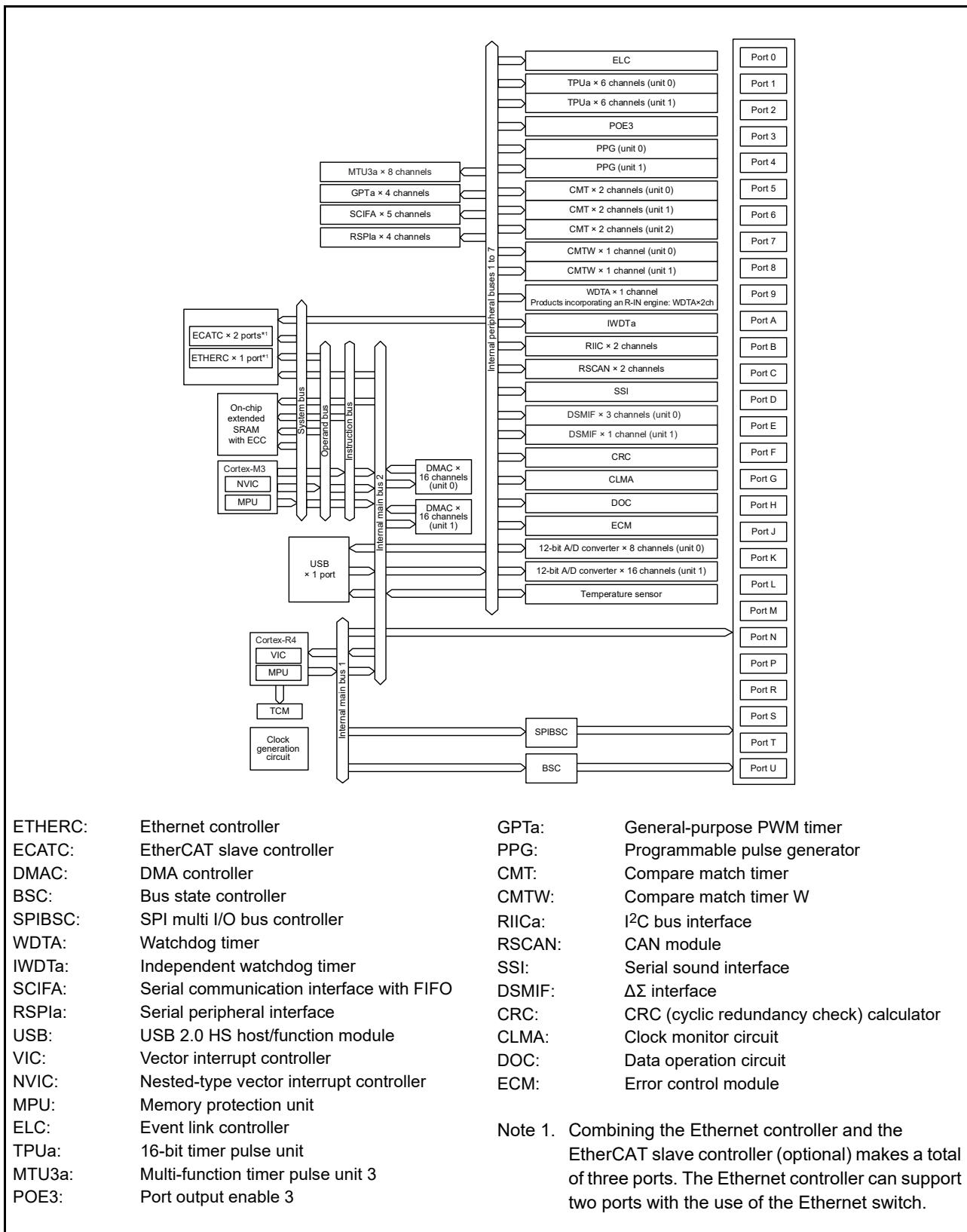


Figure 1.1 Block Diagram

1.4 Pin Functions

Table 1.4 lists the pin functions.

Table 1.4 Pin Functions (1 / 7)

| Classifications | Pin Name | I/O | Description |
|------------------------|--|--------|---|
| Power supply | VDD | Input | Power supply pin. Connect this pin to the system power supply. |
| | VSS | Input | Ground pin. Connect this pin to the system power supply (0 V). |
| | VCCQ33 | Input | Power supply pin for I/O pins |
| | PLLVDD0, PLLVDD1 | Input | Power supply pins for the on-chip PLL oscillator |
| | PLLVSS0, PLLVSS1 | Input | Ground pins for the on-chip PLL oscillator. Connect these pins to the system power supply (0 V). |
| Clock | XTAL | Output | Connected to a crystal resonator. An external clock signal may also be input to the EXTAL pin. |
| | EXTAL | Input | |
| | CKIO | Output | Outputs the external bus clock for external devices. |
| | AUDIO_CLK | Input | Inputs the external clock for audio. |
| | CLKOUT25M0, CLKOUT25M1, CLKOUT25M2 | Output | Output the external clock for Ethernet PHY. |
| Operating mode control | MD0 to MD2 | Input | Input the operating mode select signal. |
| System control | RES# | Input | Reset signal input pin. This LSI enters the reset state when this signal goes low. |
| | BSCANP | Input | Inputs the boundary scan enable signal. Boundary scan is enabled when this pin goes high. When not used, it should be driven low. |
| | OSCTH | Input | Inputs the clock input mode select signal. When an external clock is input, this pin should be driven high. When a crystal resonator is connected, it should be driven low. |
| | ERROROUT# | Output | Outputs the error signal from the error control module (ECM). |
| | RSTOUT# | Output | Outputs the reset signal externally. |
| Debugging interface | TRST# | Input | Test reset pin for on-chip emulator |
| | TMS | I/O | Test mode select pin for on-chip emulator |
| | TDI | Input | Test data input pin for on-chip emulator |
| | TDO | Output | Test data output pin for on-chip emulator |
| | TCK | Input | Test clock pin for on-chip emulator |
| | TRACECLK | Output | Outputs the clock for synchronization with the trace data. |
| | TRACECTL | Output | Outputs the enable signal for trace control. |
| | TRACEDATA0 to TRACEDATA7 | Output | Output the trace data. |

Table 1.4 Pin Functions (2 / 7)

| Classifications | Pin Name | I/O | Description |
|----------------------------|--|----------------|---|
| Bus state controller (BSC) | A25 to A0 | Output | Output the address. |
| | D31 to D0 | I/O | Input and output the data. |
| | CS0# to CS5# | Output | Output the chip select signal for the external memory or device. |
| | RD# | Output | Outputs the strobe signal which indicates reading is in progress. |
| | RD/WR# | Output | Outputs the strobe signal which indicates the read or write access. |
| | BS# | Output | Outputs the status signal which indicates the start of bus cycles. |
| | AH# | Output | Outputs the address hold signal for the device that uses the multiplexed I/O bus. |
| | WAIT# | Input | Inputs the external wait control signal which inserts a wait cycle into the bus cycles. |
| | WE0# | Output | Outputs the write strobe signal to D7 to D0. |
| | WE1# | Output | Outputs the write strobe signal to D15 to D8. |
| | WE2# | Output | Outputs the write strobe signal to D23 to D16. |
| | WE3# | Output | Outputs the write strobe signal to D31 to D24. |
| | DQMLL | Output | Outputs the data mask enable signal to D7 to D0 when SDRAM is connected. |
| | DQMLU | Output | Outputs the data mask enable signal to D15 to D8 when SDRAM is connected. |
| | DQMUL | Output | Outputs the data mask enable signal to D23 to D16 when SDRAM is connected. |
| | DQMUU | Output | Outputs the data mask enable signal to D31 to D24 when SDRAM is connected. |
| | RAS# | Output | Outputs the low-address strobe signal to the SDRAM. This pin should be connected to the RAS# pin on the SDRAM. |
| | CAS# | Output | Outputs the column-address strobe signal to the SDRAM. This pin should be connected to the CAS# pin on the SDRAM. |
| | CKE | Output | Outputs the clock enable signal to the SDRAM. This pin should be connected to the CKE pin on the SDRAM. |
| | Direct memory access controller (DMAC) | DREQ0 to DREQ2 | Input |
| DACK0 to DACK2 | | Output | Output the acknowledge signal which indicates acceptance of the DMA transfer request from the external device. |
| TEND0 to TEND2 | | Output | Output the DMA transfer end signal. |
| Interrupt | NMI | Input | Inputs the non-maskable interrupt request signal. |
| | IRQ0 to IRQ15 | Input | Input the external interrupt request signal. |
| | ETH0_INT, ETH1_INT, ETH2_INT | Input | Input the Ethernet PHY interrupt request signal. |

Table 1.4 Pin Functions (3 / 7)

| Classifications | Pin Name | I/O | Description |
|---|------------------------------------|-------|--|
| Multi-function timer pulse unit 3 (MTU3a) | MTIOC0A, MTIOC0B, MTIOC0C, MTIOC0D | I/O | TGRA0 to TGRD0 input capture input/output compare output/PWM output pins |
| | MTIOC1A, MTIOC1B | I/O | TGRA1 and TGRB1 input capture input/output compare output/PWM output pins |
| | MTIOC2A, MTIOC2B | I/O | TGRA2 and TGRB2 input capture input/output compare output/PWM output pins |
| | MTIOC3A, MTIOC3B, MTIOC3C, MTIOC3D | I/O | TGRA3 to TGRD3 input capture input/output compare output/PWM output pins |
| | MTIOC4A, MTIOC4B, MTIOC4C, MTIOC4D | I/O | TGRA4 to TGRD4 input capture input/output compare output/PWM output pins |
| | MTIC5U, MTIC5V, MTIC5W | Input | TGRU5, TGRV5, and TGRW5 input capture input/dead time compensation input pins |
| | MTIOC6A, MTIOC6B, MTIOC6C, MTIOC6D | I/O | TGRA6 to TGRD6 input capture input/output compare output/PWM output pins |
| | MTIOC7A, MTIOC7B, MTIOC7C, MTIOC7D | I/O | TGRA7 to TGRD7 input capture input/output compare output/PWM output pins |
| Port output enable 3 (POE3) | MTIOC8A, MTIOC8B, MTIOC8C, MTIOC8D | I/O | TGRA8 to TGRD8 input capture input/output compare output |
| | MTCLKA, MTCLKB, MTCLKC, MTCLKD | Input | External clock input pins for MTU3a |
| General-purpose PWM timer (GPTa) | POE0#, POE4#, POE8#, POE10# | Input | Input the request signal to place the MTU3a or GPTa in the high impedance state. |
| | GTIOC0A, GTIOC0B | I/O | GTCCRA0 and GTCCRB0 input capture input/output compare output/PWM output pins |
| | GTIOC1A, GTIOC1B | I/O | GTCCRA1 and GTCCRB1 input capture input/output compare output/PWM output pins |
| | GTIOC2A, GTIOC2B | I/O | GTCCRA2 and GTCCRB2 input capture input/output compare output/PWM output pins |
| | GTIOC3A, GTIOC3B | I/O | GTCCRA3 and GTCCRB3 input capture input/output compare output/PWM output pins |
| | GTETRG | Input | External trigger input pin for GPTa |

Table 1.4 Pin Functions (4 / 7)

| Classifications | Pin Name | I/O | Description |
|--|--------------------------------|---|---|
| 16-bit timer pulse unit (TPUa) | TIOCA0, TIOCB0, TIOCC0, TIOCD0 | I/O | TGRA0 to TGRD0 input capture input/output compare output/PWM output pins |
| | TIOCA1, TIOCB1 | I/O | TGRA1 and TGRB1 input capture input/output compare output/PWM output pins |
| | TIOCA2, TIOCB2 | I/O | TGRA2 and TGRB2 input capture input/output compare output/PWM output pins |
| | TIOCA3, TIOCB3, TIOCC3, TIOCD3 | I/O | TGRA3 to TGRD3 input capture input/output compare output/PWM output pins |
| | TIOCA4, TIOCB4 | I/O | TGRA4 and TGRB4 input capture input/output compare output/PWM output pins |
| | TIOCA5, TIOCB5 | I/O | TGRA5 and TGRB5 input capture input/output compare output/PWM output pins |
| | TCLKA, TCLKB, TCLKC, TCLKD | Input | External clock input pins for TPUa (unit 0) |
| | TIOCA6, TIOCB6, TIOCC6, TIOCD6 | I/O | TGRA6 to TGRD6 input capture input/output compare output/PWM output pins |
| | TIOCA7, TIOCB7 | I/O | TGRA7 and TGRB7 input capture input/output compare output/PWM output pins |
| | TIOCA8, TIOCB8 | I/O | TGRA8 and TGRB8 input capture input/output compare output/PWM output pins |
| | TIOCA9, TIOCB9, TIOCC9, TIOCD9 | I/O | TGRA9 to TGRD9 input capture input/output compare output/PWM output pins |
| | TIOCA10, TIOCB10 | I/O | TGRA10 and TGRB10 input capture input/output compare output/PWM output pins |
| | TIOCA11, TIOCB11 | I/O | TGRA11 and TGRB11 input capture input/output compare output/PWM output pins |
| TCLKE, TCLKF, TCLKG, TCLKH | Input | External clock input pins for TPUa (unit 1) | |
| Programmable pulse generator (PPG) | PO0 to PO31 | Output | Pulse output pins |
| Compare match timer W (CMTW) | TIC0 to TIC3 | Input | CMTW input capture input pins |
| | TOC0 to TOC3 | Output | CMTW output compare output pins |
| Serial communication interface with FIFO (SCIFA) | SCK0 to SCK4 | I/O | Clock I/O pins |
| | RXD0 to RXD4 | Input | Input the receive data. |
| | TXD0 to TXD4 | Output | Output the transmit data. |
| | CTS0# to CTS4# | I/O | Hardware flow control input (transmission enable signal)/general output |
| | RTS0# to RTS4# | Output | Hardware flow control output (transmission request signal)/general output |
| I ² C bus interface (RIICa) | SCL0, SCL1 | I/O | Clock I/O pins. The bus can be directly driven by the N-channel open drain. |
| | SDA0, SDA1 | I/O | Data I/O pins. The bus can be directly driven by the N-channel open drain. |

Table 1.4 Pin Functions (5 / 7)

| Classifications | Pin Name | I/O | Description |
|--|--|--------|---|
| Ethernet controller (ETHERC) | ETH0_TXC, ETH1_TXC, ETH2_TXC | Input | Input the 10 M/100 M transmission clock (2.5 MHz/25 MHz). |
| | ETH0_TXEN, ETH1_TXEN, ETH2_TXEN | Output | Output the transmission enable signal. |
| | ETH0_TXER, ETH1_TXER, ETH2_TXER | Output | Output the transmission error signal. |
| | ETH0_TXD0 to 3, ETH1_TXD0 to 3, ETH2_TXD0 to 3 | Output | Output the transmission data signal. |
| | ETH0_RXC, ETH1_RXC, ETH2_RXC | Input | Receive clock input pins |
| | ETH0_RXDV, ETH1_RXDV, ETH2_RXDV | Input | Input the receive data enable signal. |
| | ETH0_RXER, ETH1_RXER, ETH2_RXER | Input | Input the receive data error signal. |
| | ETH0_RXD0 to 3, ETH1_RXD0 to 3, ETH2_RXD0 to 3 | Input | Input the receive data signal. |
| | ETH0_CRS, ETH1_CRS, ETH2_CRS | Input | Input the carrier sense signal. |
| | ETH0_COL, ETH1_COL, ETH2_COL | Input | Input the collision detection signal. |
| | ETH_MDC, MII2_MDC | Output | Output the management interface clock. |
| | ETH_MDIO, MII2_MDIO | I/O | Management data signal I/O pins |
| | PHYLINK0, PHYLINK1 | Input | Input the PHY Link signal. |
| | ETHSWSECOUT | Output | Event output pin for Ethernet switch per second |
| | PHYRESETOUT#, PHYRESETOUT2# | Output | Output the PHY RESET signal (PHYRESETOUT#: for Ether0 and Ether1, PHYRESETOUT2#: for Ether2) |
| EtherCAT slave controller (ECATC) (optional) | CATLEDRUN | Output | Outputs the EtherCAT RUN LED signal. |
| | CATIRQ | Output | Outputs the EtherCAT IRQ signal. |
| | CATLEDSTER | Output | Outputs the EtherCAT Dual-color state LED signal. |
| | CATLEDERR | Output | Outputs the EtherCAT error LED signal. |
| | CATLINKACT0, CATLINKACT1 | Output | Output the EtherCAT link/activity LED signal. |
| | CATSYNC0, CATSYNC1 | Output | Output the EtherCAT SYNC signal. |
| | CATLATCH0 | Input | Input the EtherCAT LATCH signal. |
| | CATLATCH1 | Input | Input the EtherCAT LATCH signal. |
| | CATI2CLK | Output | Outputs the EtherCAT EEPROM I ² C clock signal. |
| | CATI2CDATA | I/O | Inputs/outputs the EtherCAT EEPROM I ² C data signal. |

Table 1.4 Pin Functions (6 / 7)

| Classifications | Pin Name | I/O | Description |
|---------------------------------------|--------------------------------|--------|---|
| USB 2.0 host/function module | VDD33_USB | Input | Power supply input pin for USB |
| | VSS_USB | Input | Ground input pin for USB |
| | DVDD_USB | Input | Digital power supply input pin for USB |
| | USB_RREF | Input | Reference current input pin for USB. Connect this pin to the VSS_USB pin via 200 Ω (±1%). |
| | USB_DP | I/O | USB bus D+ data I/O pin |
| | USB_DM | I/O | USB bus D- data I/O pin |
| | USB_VBUSEN | Output | Outputs the VBUS power enable signal for USB. |
| | USB_OVRCUR | Input | Inputs the overcurrent signal for USB. |
| | USB_VBUSIN | Input | USB cable connection/disconnection detection input pin |
| CAN module (RSCAN) | CRXD0, CRXD1 | Input | Receive data input pins |
| | CTXD0, CTXD1 | Output | Transmit data output pins |
| Serial peripheral interface (RSPIa) | RSPCK0 to RSPCK3 | I/O | Clock I/O pins |
| | MOSI0 to MOSI3 | I/O | Master transmit data I/O pins |
| | MISO0 to MISO3 | I/O | Slave transmit data I/O pins |
| | SSL00, SSL10, SSL20, SSL30 | I/O | Slave select signal I/O pins |
| | SSL01, SSL02, SSL03, SSL11 | Output | Slave select signal output pins |
| SPI multi I/O bus controller (SPIBSC) | SPBCLK | Output | Clock output pin |
| | SPBSSL | Output | Slave select signal output pin |
| | SPBMO/SPBIO0 | I/O | Master transmit data/data 0 I/O pin |
| | SPBMI/SPBIO1 | I/O | Master input data/data 1 I/O pin |
| | SPBIO2, SPBIO3 | I/O | Data 2, data 3 I/O pins |
| Serial sound interface (SSI) | SSISCK0 | I/O | SSI serial bit clock I/O pin |
| | SSIWS0 | I/O | Word select I/O pin |
| | SSITXD0 | Output | Serial data output pin |
| | SSIRXD0 | Input | Serial data input pin |
| | AUDIO_CLK | Input | Master clock pin for audio |
| ΔΣ interface (DSMIF) | MCLK0 to MCLK3 | I/O | Clock I/O pins |
| | MDAT0 to MDAT3 | Input | Data input pins |
| 12-bit A/D converter (S12ADCa) | AN000 to AN007, AN100 to AN115 | Input | Analog input pins for A/D converter |
| | ADTRG0, ADTRG1 | Input | External trigger input pins for the start of A/D conversion |
| | AN1_ANEX0 | Output | Extended analog output pin |
| | AN1_ANEX1 | Input | Extended analog input pin |
| Analog power supply | AVCC0 | Input | Analog power supply input pin for the 12-bit A/D converter (unit 0). Connect this pin to the VCCQ33 pin if the 12-bit A/D converter is not to be used. |
| | AVSS0 | Input | Analog ground input pin for the 12-bit A/D converter (unit 0). Connect this pin to the VSS pin if the 12-bit A/D converter is not to be used. |
| | VREFH0 | Input | Reference power supply input pin for the 12-bit A/D converter (unit 0). Connect this pin to the VCCQ33 pin if the 12-bit A/D converter is not to be used. |
| | VREFL0 | Input | Reference ground pin for the 12-bit A/D converter (unit 0). Connect this pin to the VSS pin if the 12-bit A/D converter is not to be used. |

Table 1.4 Pin Functions (7 / 7)

| Classifications | Pin Name | I/O | Description |
|---------------------|--------------------|----------------|---|
| Analog power supply | AVCC1 | Input | Analog power supply input pin for the 12-bit A/D converter (unit 1). Connect this pin to the VCCQ33 pin if the 12-bit A/D converter is not to be used. |
| | AVSS1 | Input | Analog ground input pin for the 12-bit A/D converter (unit 1). Connect this pin to the VSS pin if the 12-bit A/D converter is not to be used. |
| | VREFH1 | Input | Reference power supply input pin for the 12-bit A/D converter (unit 1). Connect this pin to the VCCQ33 pin if the 12-bit A/D converter is not to be used. |
| | VREFL1 | Input | Reference ground pin for the 12-bit A/D converter (unit 1). Connect this pin to the VSS pin if the 12-bit A/D converter is not to be used. |
| I/O ports | P00 to P07 | I/O | 8-bit I/O pin |
| | P10 to P17 | I/O | 8-bit I/O pin |
| | P20 to P27 | I/O | 8-bit I/O pins |
| | P30 to P37 | Input, I/O | 1-bit input pin (P30), 7-bit I/O pins (P31 to P37) I/O pins |
| | P40 to P47 | I/O | 8-bit I/O pins |
| | P50 to P56 | I/O | 7-bit I/O pins |
| | P60 to P67 | I/O | 8-bit I/O pins |
| | P70 to P77 | I/O | 8-bit I/O pins |
| | P80 to P87 | I/O | 8-bit I/O pins |
| | P90 to P97 | I/O | 8-bit I/O pins |
| | PA0 to PA7 | I/O | 8-bit I/O pins |
| | PB0 to PB7 | I/O | 8-bit I/O pins |
| | PC0 to PC7 | Input | 8-bit input pins |
| | PD0 to PD7 | I/O | 8-bit I/O pins |
| | PE0 to PE7 | I/O | 8-bit I/O pins |
| | PF5 to PF7 | I/O | 3-bit I/O pins |
| | PG0 to PG7 | I/O | 8-bit I/O pins |
| | PH0 to PH7 | I/O | 8-bit I/O pins |
| | PJ0 to PJ7 | I/O | 8-bit I/O pins |
| | PK0 to PK7 | I/O | 8-bit I/O pins |
| | PL0 to PL7 | I/O | 8-bit I/O pins |
| | PM0 to PM7 | I/O | 8-bit I/O pins |
| | PN0 to PN7 | I/O | 8-bit I/O pins |
| | PP0 to PP7 | I/O | 8-bit I/O pins |
| | PR0 to PR7 | I/O | 8-bit I/O pins |
| | PS0 to PS7 | I/O | 8-bit I/O pins |
| | PT0 to PT7 | I/O | 8-bit I/O pins |
| PU0 to PU7 | I/O | 8-bit I/O pins | |
| Encoder I/F*1 | ENCIF00 to ENCIF12 | I/O | I/O pins for multi-protocol encoder interface |

Note 1. Only in products with the encoder interfaces.

1.5 Pin Assignments

Figure 1.2 and Figure 1.3 show the pin arrangement. Table 1.5 and Table 1.6 show the pin assignments. Table 1.7 and Table 1.8 show the lists of pin functions.

| | | | | | | | | | | | | | | | | | | | | |
|---|-----------|------------|------------|-------------|-----------|---------|-----|-----|-----|---------|-----|---------|--------|---------|---------|---------|---------|---------|-----|-----|
| | 1 | 2 | 3 | 4 | 5 | 6 | 7 | 8 | 9 | 10 | 11 | 12 | 13 | 14 | 15 | 16 | 17 | 18 | 19 | 20 |
| A | VSS | PC2 | PJ3 | PJ1 | PF7 | PB4 | PB0 | PC0 | PF6 | VCC Q33 | P54 | VSS | AN0 07 | AN0 05 | AN0 02 | AVC C0 | AVC C1 | VRE FH1 | P17 | VSS |
| B | PJ5 | PJ4 | PC3 | PJ2 | PJ0 | PB5 | PB2 | PC1 | PB7 | P86 | PD7 | P52 | AN0 06 | AN0 03 | AN0 01 | AVS S0 | AVS S1 | VRE FL1 | P16 | P15 |
| C | PJ7 | PJ6 | PU2 | PL7 | PL5 | PB6 | PB3 | PB1 | PF5 | P87 | PD6 | P53 | P51 | AN0 04 | AN0 00 | VRE FL0 | VRE FH0 | PD2 | P14 | P13 |
| D | P81 | P80 | PU3 | | | | | | | | | | | | | | | PD0 | P96 | P95 |
| E | P84 | P82 | PU1 | PU0 | PL6 | PL4 | PL2 | PL0 | PK7 | PK6 | PD5 | P56 | PD4 | VCC Q33 | PD1 | | | | | |
| F | PC4 | P83 | P85 | PU4 | VSS | VCC Q33 | PL3 | PL1 | PK5 | PK4 | P55 | P50 | PD3 | PK2 | P90 | P92 | P91 | P12 | | |
| G | PU6 | PC5 | VCC Q33 | PU5 | PM0 | | | | | | | | | PK3 | PA7 | PA4 | PA3 | P11 | | |
| H | PU7 | PM1 | P35 | ERR ORO UT# | VCC Q33 | VDD | VDD | VDD | VDD | VDD | VSS | | | | | PA6 | PA5 | PA2 | PK0 | PK1 |
| J | PM6 | PM3 | PM2 | P33 | TRS T# | VDD | VSS | VSS | VSS | VSS | VDD | | | | | VCC Q33 | PA1 | PA0 | PT7 | PT6 |
| K | PM7 | PM5 | PM4 | P34 | PLL VDD 1 | VDD | VSS | VSS | VSS | VSS | VDD | | | | | VSS | P77 | P76 | P75 | PT5 |
| L | MD1 | MD2 | TMS | TCK | PLL VSS 1 | VDD | VSS | VSS | VSS | VSS | VDD | | | | | VSS | PE7 | P72 | P73 | P74 |
| M | XTAL | EXTAL | OSCTH | BSCANP | PLL VDD 0 | VDD | VSS | VSS | VSS | VSS | VDD | | | | | VCC Q33 | PE6 | P70 | PT4 | P71 |
| N | VSS | MD0 | RST OUT # | RES # | PLL VSS 0 | VDD | VSS | VDD | VDD | VDD | VDD | | | | | PE2 | PE4 | PE5 | PT2 | PT3 |
| P | VSS USB | VDD 33 USB | USB _RR EF | P31 | VCC Q33 | | | | | | | | | P06 | P07 | PE3 | PT0 | PT1 | | |
| R | USB _DP | USB _DM | P30 | PN0 | PN2 | PG0 | PG2 | PG7 | PH2 | PH4 | PH6 | P23 | P27 | P47 | VCC Q33 | VCC Q33 | PS6 | PS7 | | |
| T | DVD D_USB | VDD 33 USB | P32 | PC6 | P37 | P36 | PG3 | PG6 | PH3 | VCC Q33 | PH5 | VCC Q33 | P26 | VCC Q33 | VSS | VSS | PE0 | PE1 | | |
| U | P60 | P63 | PN1 | | | | | | | | | | | | | | | P00 | P04 | P03 |
| V | P61 | P64 | PN3 | PN4 | PC7 | PG1 | PG4 | PG5 | PH0 | PH1 | PH7 | P20 | P21 | VSS | P45 | P46 | PS2 | P05 | P01 | P02 |
| W | P62 | P65 | PN5 | PN6 | PP0 | PP2 | PP4 | PP6 | PP7 | PR1 | PR3 | PR5 | P24 | P22 | P44 | P43 | PS1 | PS3 | PS4 | PS5 |
| Y | VSS | P67 | P66 | PN7 | PP1 | PP3 | PP5 | VSS | PR0 | PR2 | PR4 | PR6 | PR7 | P25 | P41 | P42 | P40 | PS0 | P10 | VSS |
| | 1 | 2 | 3 | 4 | 5 | 6 | 7 | 8 | 9 | 10 | 11 | 12 | 13 | 14 | 15 | 16 | 17 | 18 | 19 | 20 |

Figure 1.2 Pin Arrangement (320-Pin FBGA) (Top View)

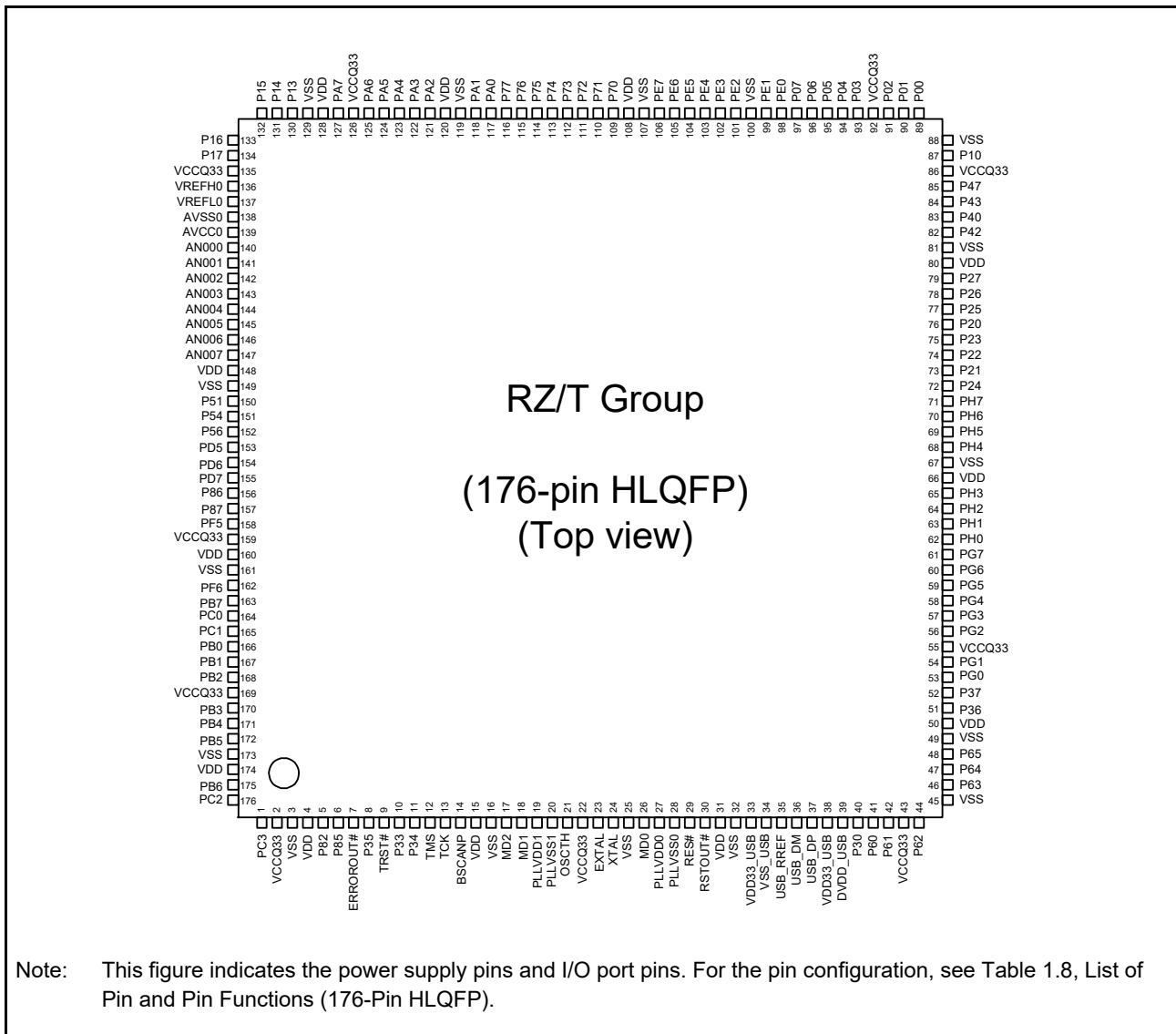


Figure 1.3 Pin Arrangement (176-pin HLQFP)

Table 1.5 Pin Assignments (320-Pin FBGA) (1 / 8)

| Pin Number | Pin Name |
|------------|--|
| A1 | VSS |
| A2 | PC2 / ETH0_TXC / ETH1_RXD2 / CATI2CDATA / SDA0 |
| A3 | PJ3 / IRQ11 / ETH0_TXD0 / ADTRG0 |
| A4 | PJ1 / ETH0_TXD2 / CATLEDSTER / RSPCK3 |
| A5 | PF7 / IRQ7 / A25 / ETH0_TXER / RTS3# / SSL30 |
| A6 | PB4 / A24 / ETH1_COL / ETH0_RXER / CATSYNC0 / CATLATCH0 / RXD3 / MOSI3 / MDAT0 |
| A7 | PB0 / ETH1_RXDV / MTCLKB / TCLKD / TIC3 |
| A8 | PC0 / WAIT# / ETH1_RXD2 / GTETRG / SCL1 / MDAT3 |
| A9 | PF6 / ETH1_RXD0 / MTIOC3D / GTIOC0B / TOC2 |
| A10 | VCCQ33 |
| A11 | P54 / CLKOUT25M1 / MOSI2 |
| A12 | VSS |
| A13 | AN007 |
| A14 | AN005 |
| A15 | AN002 |
| A16 | AVCC0 |
| A17 | AVCC1 |
| A18 | VREFH1 |
| A19 | P17 / CS5# / ETH1_TXER / PHYRESETOUT# / ADTRG0 |
| A20 | VSS |
| B1 | PJ5 / ETH0_RXD1 / TIOCD0 / RXD3 |
| B2 | PJ4 / ETH0_RXD0 / TXD3 |
| B3 | PC3 / ETH0_RXC / ETH0_RXDV / CATI2CCLK / RXD4 / SCL0 / CRXD1 |
| B4 | PJ2 / IRQ10 / ETH0_TXD1 / MISO3 |
| B5 | PJ0 / IRQ8 / ETH0_TXD3 / CATLEDERR / MOSI3 |
| B6 | PB5 / ETH_MDIO / TCLKB / POE0# / POE10# / CTS3# / RSPCK3 |
| B7 | PB2 / ETH1_RXC / ETH0_RXD1 / CATSYNC1 / CATLATCH1 / MTIOC1A / SSL30 / MDAT1 |
| B8 | PC1 / IRQ9 / ETH1_RXD3 / PHYLINK0 / SDA1 / MDAT2 |
| B9 | PB7 / ETH1_RXD1 / MTIOC3B / GTIOC0A / TOC3 |
| B10 | P86 / AN1_ANEX0 / ETH1_TXD0 / MTIOC4B / GTIOC2A / TOC1 / RSPCK2 |
| B11 | PD7 / AN115 / ETH1_TXD1 / MTIOC4D / GTIOC2B / TOC0 |
| B12 | P52 / ETH0_INT / SSL20 |
| B13 | AN006 |
| B14 | AN003 |
| B15 | AN001 |
| B16 | AVSS0 |
| B17 | AVSS1 |
| B18 | VREFL1 |
| B19 | P16 / CS4# / CS2# / MTIOC3B / GTIOC0A / ENCIF12 |
| B20 | P15 / CS3# / CKE / MTIOC3D / GTIOC0B / ENCIF11 |
| C1 | PJ7 / IRQ15 / ETH0_RXD3 / CATLEDRUN / CTS3# |
| C2 | PJ6 / IRQ14 / ETH0_RXD2 / CATIRQ / SCK3 |
| C3 | PU2 / IRQ2 / ETH2_CRS / TIOCD9 / RXD3 |
| C4 | PL7 / IRQ15 / ETH2_RXDV |

Table 1.5 Pin Assignments (320-Pin FBGA) (2 / 8)

| Pin Number | Pin Name |
|------------|--|
| C5 | PL5 / ETH2_RXD2 / TIOCA8 |
| C6 | PB6 / ETH_MDC / TCLKA / SCK3 / RTS4# / MISO3 |
| C7 | PB3 / IRQ3 / CS1# / ETH1_CRS / PHYRESETOUT# / TXD3 / CTXD1 / MCLK0 |
| C8 | PB1 / ETH1_RXER / MTCLKA / TCLKC / CTS4# |
| C9 | PF5 / ETH1_TXEN / MTIOC4A / GTIOC1A / TIC2 |
| C10 | P87 / AN1_ANEX1 / A23 / ETH1_TXC / ETH0_RXD0 / MTIOC4C / GTIOC1B / MCLK1 |
| C11 | PD6 / AN114 / A22 / ETH1_TXD2 / ETH0_TXD1 / TIC1 / MISO2 / MCLK2 |
| C12 | P53 / ETH1_INT / MISO2 |
| C13 | P51 / IRQ1 / PHYLINK1 / RSPCK2 |
| C14 | AN004 |
| C15 | AN000 |
| C16 | VREFLO |
| C17 | VREFH0 |
| C18 | PD2 / AN110 / WAIT# |
| C19 | P14 / CAS# / MTIOC4A / GTIOC1A / ENCIF10 |
| C20 | P13 / RAS# / MTIOC4C / GTIOC1B |
| D1 | P81 / ETH0_RXER / TIOCC0 / CTS4# |
| D2 | P80 / IRQ8 / ETH0_RXDV / TIOCC3 / RTS4# |
| D3 | PU3 / ETH2_COL / TIOCD6 / TXD3 |
| D18 | PD0 / AN108 / CS4# |
| D19 | P96 / AN106 / POE0# / POE10# / ENCIF09 |
| D20 | P95 / AN105 / IRQ13 / MTCLKA / CTS2# |
| E1 | P84 / ETH0_COL / CATLINKACT1 / RXD4 |
| E2 | P82 / ETH0_TXEN / ETH1_CRS / TIOCD3 / SCK4 / RTS3# / USB_OVRCUR |
| E3 | PU1 / ETH2_RXC / TIOCA11 / SCK3 |
| E5 | PU0 / ETH2_RXER / TIOCA10 |
| E6 | PL6 / ETH2_RXD3 / TIOCA9 |
| E7 | PL4 / IRQ4 / ETH2_RXD1 |
| E8 | PL2 / ETH2_TXEN / TIOCA6 / ADTRG1 |
| E9 | PL0 / ETH2_TXD0 / TIOCB9 |
| E10 | PK7 / ETH2_TXD2 / TIOCB7 |
| E11 | PK6 / ETH2_TXD3 / TIOCB6 |
| E12 | PD5 / AN113 / A21 / ETH1_TXD3 / ETH0_TXD0 / TIC0 / SSL20 / MCLK3 |
| E13 | P56 / BS# / ETH1_TXER |
| E14 | PD4 / AN112 / ETH2_INT |
| E15 | VCCQ33 |
| E16 | PD1 / AN109 / CS1# |
| E18 | P97 / AN107 / IRQ7 / A25 / ADTRG1 |
| E19 | P94 / AN104 / IRQ4 / MTCLKB / RTS2# / ENCIF08 |
| E20 | P93 / AN103 / MTIOC1A / TIC3 / SCK2 / ENCIF07 |
| F1 | PC4 / CATI2CCLK / TCLKH / SCL0 |
| F2 | P83 / IRQ11 / ETH0_CRS / CATLINKACT0 / TXD4 |
| F3 | P85 / IRQ5 / CLKOUT25M0 / TXD4 / SCK4 / USB_VBUSEN |
| F5 | PU4 / MII2_MDC / TIOCC9 / CTS3# |
| F6 | VSS |

Table 1.5 Pin Assignments (320-Pin FBGA) (3 / 8)

| Pin Number | Pin Name |
|------------|--|
| F7 | VCCQ33 |
| F8 | PL3 / ETH2_RXD0 / TIOCA7 |
| F9 | PL1 / ETH2_TXC / TIOCB10 |
| F10 | PK5 / ETH2_TXD1 / TIOCB8 |
| F11 | PK4 / ETH2_TXER / TIOCB11 / MOSI2 |
| F12 | P55 / IRQ5 / A24 / ETHSWSECOUT |
| F13 | P50 / IRQ8 / CS1# / PHYLINK0 |
| F14 | PD3 / AN111 / PHYRESETOUT2# |
| F15 | PK2 / A23 |
| F16 | P90 / AN100 / RAS# / TIOCA5 / TXD4 |
| F18 | P92 / AN102 / CS5# / TOC3 / RXD2 |
| F19 | P91 / AN101 / CAS# / TXD2 / ENCIF06 |
| F20 | P12 / MTIOC4B / GTIOC2A |
| G1 | PU6 / PHYRESETOUT# / TCLKF / CTS4# |
| G2 | PC5 / CATI2CDATA / TCLKG / SDA0 |
| G3 | VCCQ33 |
| G5 | PU5 / IRQ13 / MII2_MDIO / TIOCC6 / RTS3# |
| G6 | PM0 / CLKOUT25M2 / TXD4 |
| G15 | PK3 / A24 |
| G16 | PA7 / IRQ7 / D31 / A22 / MTIOC6B / GTIOC3B / RTS2# / MCLK0 |
| G18 | PA4 / D28 / ETH1_INT / TIOCA3 / ADTRG0 / RXD2 / TEND2 / MDAT1 |
| G19 | PA3 / D27 / ETHSWSECOUT / GTETRG / TIOCA2 / SCK2 / DACK2 / MCLK2 |
| G20 | P11 / IRQ9 / MTIOC4D / GTIOC2B |
| H1 | PU7 / CATIRQ / RXD4 |
| H2 | PM1 / CATLEDERR / SCK4 |
| H3 | P35 / NMI |
| H5 | ERROROUT# |
| H6 | VCCQ33 |
| H8 | VDD |
| H9 | VDD |
| H10 | VDD |
| H11 | VDD |
| H12 | VDD |
| H13 | VSS |
| H15 | PA6 / IRQ6 / D30 / A21 / GTIOC3A / CTS2# / MDAT0 |
| H16 | PA5 / D29 / ETH0_INT / ETH1_TXER / TIOCA4 / TXD2 / MCLK1 |
| H18 | PA2 / D26 / MTIOC3B / GTIOC0A / SSL02 / DREQ2 / MDAT2 / ENCIF05 |
| H19 | PK0 / CAS# / PO31 / ENCIF11 |
| H20 | PK1 / CS5# / ENCIF12 |
| J1 | PM6 / IRQ6 / CATLINKACT0 / PO19 |
| J2 | PM3 / CATSYNC0 / CATLATCH0 / PO16 |
| J3 | PM2 / CATSYNC1 / CATLATCH1 / TCLKE / RTS4# |
| J5 | P33 / TDO |
| J6 | TRST# |
| J8 | VDD |

Table 1.5 Pin Assignments (320-Pin FBGA) (4 / 8)

| Pin Number | Pin Name |
|------------|--|
| J9 | VSS |
| J10 | VSS |
| J11 | VSS |
| J12 | VSS |
| J13 | VDD |
| J15 | VCCQ33 |
| J16 | PA1 / D25 / MTIOC3D / GTIOC0B / MISO0 / AUDIO_CLK / TRACEDATA7 / MCLK3 |
| J18 | PA0 / D24 / MTIOC4A / GTIOC1A / MOSI0 / TRACEDATA6 / MDAT3 |
| J19 | PT7 / A22 / DACK2 / ENCIF10 |
| J20 | PT6 / A21 / DREQ2 |
| K1 | PM7 / CATLINKACT1 / PO20 |
| K2 | PM5 / CATLEDSTER / PO18 |
| K3 | PM4 / CATLEDRUN / PO17 |
| K5 | P34 / TDI |
| K6 | PLLVDD1 |
| K8 | VDD |
| K9 | VSS |
| K10 | VSS |
| K11 | VSS |
| K12 | VSS |
| K13 | VDD |
| K15 | VSS |
| K16 | P77 / D23 / MTIOC4C / GTIOC1B / RSPCK0 / TRACEDATA5 |
| K18 | P76 / D22 / MTIOC4B / GTIOC2A / SSL01 / SSIWS0 / TRACEDATA4 |
| K19 | P75 / IRQ13 / D21 / MTIOC4D / GTIOC2B / SSL00 / TRACEDATA3/ ENCIF04 |
| K20 | PT5 / BS# / PO30 / TEND2 |
| L1 | MD1 |
| L2 | MD2 |
| L3 | TMS |
| L5 | TCK |
| L6 | PLLVSS1 |
| L8 | VDD |
| L9 | VSS |
| L10 | VSS |
| L11 | VSS |
| L12 | VSS |
| L13 | VDD |
| L15 | VSS |
| L16 | PE7 / D15 / MTIOC7A / TIOCD3 / POE8# / SCK1 / RSPCK0 / TRACEDATA7 |
| L18 | P72 / D18 / MTIOC1A / TIC2 / TXD1 / SSITXD0 / TRACEDATA0 / ENCIF02 |
| L19 | P73 / IRQ3 / D19 / MTCLKB / RXD1 / SSIRXD0 / TRACEDATA1 / ENCIF03 |
| L20 | P74 / D20 / MTCLKA / CTS1# / SSL03 / SSISCK0 / TRACEDATA2 |
| M1 | XTAL |
| M2 | EXTAL |
| M3 | OSCTH |

Table 1.5 Pin Assignments (320-Pin FBGA) (5 / 8)

| Pin Number | Pin Name |
|------------|--|
| M5 | BSCANP |
| M6 | PLLVDD0 |
| M8 | VDD |
| M9 | VSS |
| M10 | VSS |
| M11 | VSS |
| M12 | VSS |
| M13 | VDD |
| M15 | VCCQ33 |
| M16 | PE6 / IRQ6 / D14 / MTIOC0A / TIOC0D / RXD1 / MISO0 / TRACEDATA6 |
| M18 | P70 / IRQ0 / D16 / MTIOC6D / RTS1# / USB_OVRCUR / TRACECLK / ENCIF00 |
| M19 | PT4 / CS3# / PO29 |
| M20 | P71 / D17 / POE0# / POE10# / TOC2 / SCK1 / TRACECTL / ENCIF01 |
| N1 | VSS |
| N2 | MD0 |
| N3 | RSTOUT# |
| N5 | RES# |
| N6 | PLLVSS0 |
| N8 | VDD |
| N9 | VSS |
| N10 | VDD |
| N11 | VDD |
| N12 | VDD |
| N13 | VDD |
| N15 | PE2 / IRQ2 / D10 / MTCLKC / TIOCB4 / SSL02 / TRACEDATA2 |
| N16 | PE4 / D12 / MTIOC0B / TIOCC0 / RTS1# / SSL00 / TRACEDATA4 |
| N18 | PE5 / D13 / MTIOC0C / TIOCC3 / TXD1 / MOSI0 / TRACEDATA5 |
| N19 | PT2 / TIOCA1 / TIOCB1 / PO27 |
| N20 | PT3 / IRQ11 / TIOCA0 / TIOCB0 / PO28 / CTS2# / ENCIF09 |
| P1 | VSS_USB |
| P2 | VDD33_USB |
| P3 | USB_RREF |
| P5 | P31 / USB_VBUSEN |
| P6 | VCCQ33 |
| P15 | P06 / D6 / MTIOC2B / TIOCB0 |
| P16 | P07 / D7 / MTIOC2A / TIOCB1 |
| P18 | PE3 / IRQ3 / D11 / MTIOC0D / TIOCB5 / CTS1# / SSL01 / TRACEDATA3 |
| P19 | PT0 / IRQ0 / TIOCA3 / TIOCB3 / PO25 / SCK2 / ENCIF07 |
| P20 | PT1 / TIOCA2 / TIOCB2 / PO26 / RTS2# / ENCIF08 |
| R1 | USB_DP |
| R2 | USB_DM |
| R3 | P30 / CRXD0 / USB_VBUSIN |
| R5 | PN0 / MTIOC8D / SSL10 |
| R6 | PN2 / IRQ10 / MTIOC8B / MOSI1 |
| R7 | PG0 / A1 / PO2 |

Table 1.5 Pin Assignments (320-Pin FBGA) (6 / 8)

| Pin Number | Pin Name |
|------------|---|
| R8 | PG2 / A3 / PO4 / TOC0 / RSPCK1 |
| R9 | PG7 / A8 / PO9 |
| R10 | PH2 / A11 / MTIOC2A / PO12 |
| R11 | PH4 / IRQ4 / A13 / PO14 |
| R12 | PH6 / A15 / MTIOC7D / RTS0# |
| R13 | P23 / A0 / MTIC5U / TXD0 / DACK1 |
| R14 | P27 / A20 / MTIOC8C / TIOCB0 / RTS0# |
| R15 | P47 / WE3#/DQMUU/AH# / MTIOC6C |
| R16 | VCCQ33 |
| R18 | VCCQ33 |
| R19 | PS6 / IRQ14 / TIOCA5 / TIOCB5 / PO23 / RXD2 / ENCIF06 |
| R20 | PS7 / TIOCA4 / TIOCB4 / PO24 / TXD2 |
| T1 | DVDD_USB |
| T2 | VDD33_USB |
| T3 | P32 / IRQ10 / USB_OVRCUR |
| T5 | PC6 / TCLKC / SCL1 / CRXD0 / DREQ0 / USB_VBUSIN |
| T6 | P37 / WE1#/DQMLU / PO1 |
| T7 | P36 / WE0#/DQMLL / PO0 |
| T8 | PG3 / A4 / PO5 / TIC1 / MISO1 |
| T9 | PG6 / A7 / TCLKB / PO8 / SSL11 |
| T10 | PH3 / A12 / MTIOC1B / PO13 |
| T11 | VCCQ33 |
| T12 | PH5 / A14 / PO15 |
| T13 | VCCQ33 |
| T14 | P26 / A19 / MTIOC8D / DREQ1 |
| T15 | VCCQ33 |
| T16 | VSS |
| T18 | VSS |
| T19 | PE0 / D8 / MTIOC1B / TIOCB2 / TRACEDATA0 |
| T20 | PE1 / D9 / MTCLKD / TIOCB3 / SSL03 / TRACEDATA1 |
| U1 | P60 / SPBSSL / CTXD0 / TEND0 |
| U2 | P63 / SPBMO/SPBIO0 |
| U3 | PN1 / MTIOC8C / PO21 / MISO1 / ENCIF09 |
| U18 | P00 / D0 / MTIOC6A / TIOCA1 / ADTRG1 / TRACECTL |
| U19 | P04 / D4 / MTIOC3C / TIOCA5 |
| U20 | P03 / D3 / MTIC5U / TIOCA4 |
| V1 | P61 / SPBIO3 / CTXD1 / DACK0 |
| V2 | P64 / SPBBI/SPBIO1 |
| V3 | PN3 / MTIOC8A / RSPCK1 |
| V4 | PN4 / IRQ12 / MTIOC6C / TIOCC6 / SSL11 |
| V5 | PC7 / TIC0 / SDA1 / CRXD1 |
| V6 | PG1 / A2 / PO3 |
| V7 | PG4 / A5 / PO6 / TOC1 / MOSI1 |
| V8 | PG5 / A6 / TCLKA / PO7 / SSL10 |
| V9 | PH0 / A9 / PO10 |

Table 1.5 Pin Assignments (320-Pin FBGA) (7 / 8)

| Pin Number | Pin Name |
|------------|---|
| V10 | PH1 / A10 / MTIOC2B / PO11 |
| V11 | PH7 / A16 / MTIC5W |
| V12 | P20 / A17 / MTCLKD |
| V13 | P21 / IRQ1 / CS0# / MTIC5V / TIOCB1 / CTS0# |
| V14 | VSS |
| V15 | P45 / CS2# |
| V16 | P46 / CKE |
| V17 | PS2 / MTIOC7C / SSIWS0 |
| V18 | P05 / D5 / MTIOC3A |
| V19 | P01 / D1 / MTIC5W / TIOCA2 |
| V20 | P02 / D2 / MTIC5V / TIOCA3 |
| W1 | P62 / SPBCLK |
| W2 | P65 / SPBIO2 / DREQ0 |
| W3 | PN5 / IRQ5 / MTIOC6A / TIOCD9 / ENCIF10 |
| W4 | PN6 / MTIOC3C / TIOCC9 / MCLK3 / ENCIF11 |
| W5 | PP0 / POE8# / TEND0 / MCLK2 |
| W6 | PP2 / MTIOC0C / TCLKH / MCLK1 |
| W7 | PP4 / MTIOC0A / MCLK0 |
| W8 | PP6 / TIOCA11 / RXD1 / TRACECTL / ENCIF06 |
| W9 | PP7 / TCLKF / TCLKH / SCK1 / DACK1 / TRACECLK |
| W10 | PR1 / IRQ9 / POE4# / CTS1# / TEND1 / TRACEDATA1 / ENCIF08 |
| W11 | PR3 / TIOCA10 / TIOCB10 / TRACEDATA3 / ENCIF01 |
| W12 | PR5 / TIOCA8 / TIOCB8 / TRACEDATA5 / ENCIF03 |
| W13 | P24 / IRQ12 / RD/WR# / RXD0 |
| W14 | P22 / IRQ2 / RD# / MTIOC7B / TIOCD0 / SCK0 |
| W15 | P44 / IRQ12 / WAIT# / TCLKD / ADTRG0 / CTS0# |
| W16 | P43 / WE2#/DQMUL / MTIOC8B / USB_VBUSEN |
| W17 | PS1 / IRQ1 / MTIOC7B / SSISCK0 |
| W18 | PS3 / MTIOC7A / SSIRXD0 |
| W19 | PS4 / MTIOC6D / SSITXD0 |
| W20 | PS5 / MTIOC6B |
| Y1 | VSS |
| Y2 | P67 / IRQ15 / GTIOC3B / CTXD0 / TEND0 / USB_OVRCUR |
| Y3 | P66 / IRQ14 / GTIOC3A / CTXD1 / DACK0 / USB_VBUSEN |
| Y4 | PN7 / MTIOC3A / TIOCD6 / DREQ0 / MDAT3 / ENCIF12 |
| Y5 | PP1 / MTIOC0D / DACK0 / MDAT2 |
| Y6 | PP3 / MTIOC0B / TCLKC / MDAT1 |
| Y7 | PP5 / PO22 / MDAT0 |
| Y8 | VSS |
| Y9 | PR0 / TCLKE / TCLKG / TXD1 / DREQ1 / TRACEDATA0 / ENCIF07 |
| Y10 | PR2 / TIOCA11 / TIOCB11 / RTS1# / TRACEDATA2 / ENCIF00 |
| Y11 | PR4 / TIOCA9 / TIOCB9 / TRACEDATA4 / ENCIF02 |
| Y12 | PR6 / TIOCA7 / TIOCB7 / TRACEDATA6 / ENCIF04 |
| Y13 | PR7 / TIOCA6 / TIOCB6 / TRACEDATA7 / ENCIF05 |
| Y14 | P25 / A18 / MTCLKC / TEND1 |

Table 1.5 Pin Assignments (320-Pin FBGA) (8 / 8)

| Pin Number | Pin Name |
|------------|---------------------------------------|
| Y15 | P41 / BS# / SCK0 |
| Y16 | P42 / MTIOC7C / RXD0 |
| Y17 | P40 / MTIOC8A / TXD0 |
| Y18 | PS0 / MTIOC7D / AUDIO_CLK |
| Y19 | P10 / IRQ0 / CKIO / TIOCA0 / TRACECLK |
| Y20 | VSS |

Table 1.6 Pin Assignments (176-Pin HLQFP) (1 / 4)

| Pin Number | Pin Name |
|------------|---|
| 1 | PC3 / ETH0_RXC / ETH0_RXDV / RXD4 / SCL0 / CRXD1 |
| 2 | VCCQ33 |
| 3 | VSS |
| 4 | VDD |
| 5 | P82 / ETH0_TXEN / ETH1_CRS / TIOCD3 / SCK4 / RTS3# / USB_OVRCUR |
| 6 | P85 / IRQ5 / CLKOUT25M0 / TXD4 / SCK4 / USB_VBUSEN |
| 7 | ERROROUT# |
| 8 | P35 / NMI |
| 9 | TRST# |
| 10 | P33 / TDO |
| 11 | P34 / TDI |
| 12 | TMS |
| 13 | TCK |
| 14 | BSCANP |
| 15 | VDD |
| 16 | VSS |
| 17 | MD2 |
| 18 | MD1 |
| 19 | PLLVDD1 |
| 20 | PLLVSS1 |
| 21 | OSCTH |
| 22 | VCCQ33 |
| 23 | EXTAL |
| 24 | XTAL |
| 25 | VSS |
| 26 | MD0 |
| 27 | PLLVDD0 |
| 28 | PLLVSS0 |
| 29 | RES# |
| 30 | RSTOUT# |
| 31 | VDD |
| 32 | VSS |
| 33 | VDD33_USB |
| 34 | VSS_USB |
| 35 | USB_RREF |
| 36 | USB_DM |
| 37 | USB_DP |
| 38 | VDD33_USB |
| 39 | DVDD_USB |
| 40 | P30 / CRXD0 / USB_VBUSIN |
| 41 | P60 / SPBSSL / CTXD0 / TEND0 |
| 42 | P61 / SPBIO3 / CTXD1 / DACK0 |
| 43 | VCCQ33 |
| 44 | P62 / SPBCLK |

Table 1.6 Pin Assignments (176-Pin HLQFP) (2 / 4)

| Pin Number | Pin Name |
|------------|---|
| 45 | VSS |
| 46 | P63 / SPBMO/SPBIO0 |
| 47 | P64 / SPBMI/SPBIO1 |
| 48 | P65 / SPBIO2 / DREQ0 |
| 49 | VSS |
| 50 | VDD |
| 51 | P36 / WE0#/DQMLL / PO0 |
| 52 | P37 / WE1#/DQMLU / PO1 |
| 53 | PG0 / A1 / PO2 |
| 54 | PG1 / A2 / PO3 |
| 55 | VCCQ33 |
| 56 | PG2 / A3 / PO4 / TOC0 / RSPCK1 |
| 57 | PG3 / A4 / PO5 / TIC1 / MISO1 |
| 58 | PG4 / A5 / PO6 / TOC1 / MOSI1 |
| 59 | PG5 / A6 / TCLKA / PO7 / SSL10 |
| 60 | PG6 / A7 / TCLKB / PO8 / SSL11 |
| 61 | PG7 / A8 / PO9 |
| 62 | PH0 / A9 / PO10 |
| 63 | PH1 / A10 / MTIOC2B / PO11 |
| 64 | PH2 / A11 / MTIOC2A / PO12 |
| 65 | PH3 / A12 / MTIOC1B / PO13 |
| 66 | VDD |
| 67 | VSS |
| 68 | PH4 / IRQ4 / A13 / PO14 |
| 69 | PH5 / A14 / PO15 |
| 70 | PH6 / A15 / MTIOC7D / RTS0# |
| 71 | PH7 / A16 / MTIC5W |
| 72 | P24 / IRQ12 / RD/WR# / RXD0 |
| 73 | P21 / IRQ1 / CS0# / MTIC5V / TIOCB1 / CTS0# |
| 74 | P22 / IRQ2 / RD# / MTIOC7B / TIOCD0 / SCK0 |
| 75 | P23 / A0 / MTIC5U / TXD0 / DACK1 |
| 76 | P20 / A17 / MTCLKD |
| 77 | P25 / A18 / MTCLKC / TEND1 |
| 78 | P26 / A19 / MTIOC8D / DREQ1 |
| 79 | P27 / A20 / MTIOC8C / TIOCB0 / RTS0# |
| 80 | VDD |
| 81 | VSS |
| 82 | P42 / MTIOC7C / RXD0 |
| 83 | P40 / MTIOC8A / TXD0 |
| 84 | P43 / WE2#/DQMUL / MTIOC8B / USB_VBUSEN |
| 85 | P47 / WE3#/DQMUU/AH# / MTIOC6C |
| 86 | VCCQ33 |
| 87 | P10 / IRQ0 / CKIO / TIOCA0 / TRACECLK |
| 88 | VSS |
| 89 | P00 / D0 / MTIOC6A / TIOCA1 / TRACECTL |

Table 1.6 Pin Assignments (176-Pin HLQFP) (3 / 4)

| Pin Number | Pin Name |
|------------|--|
| 90 | P01 / D1 / MTIC5W / TIOCA2 |
| 91 | P02 / D2 / MTIC5V / TIOCA3 |
| 92 | VCCQ33 |
| 93 | P03 / D3 / MTIC5U / TIOCA4 |
| 94 | P04 / D4 / MTIOC3C / TIOCA5 |
| 95 | P05 / D5 / MTIOC3A |
| 96 | P06 / D6 / MTIOC2B / TIOCB0 |
| 97 | P07 / D7 / MTIOC2A / TIOCB1 |
| 98 | PE0 / D8 / MTIOC1B / TIOCB2 / TRACEDATA0 |
| 99 | PE1 / D9 / MTCLKD / TIOCB3 / SSL03 / TRACEDATA1 |
| 100 | VSS |
| 101 | PE2 / IRQ2 / D10 / MTCLKC / TIOCB4 / SSL02 / TRACEDATA2 |
| 102 | PE3 / IRQ3 / D11 / MTIOC0D / TIOCB5 / CTS1# / SSL01 / TRACEDATA3 |
| 103 | PE4 / D12 / MTIOC0B / TIOCC0 / RTS1# / SSL00 / TRACEDATA4 |
| 104 | PE5 / D13 / MTIOC0C / TIOCC3 / TXD1 / MOSI0 / TRACEDATA5 |
| 105 | PE6 / IRQ6 / D14 / MTIOC0A / TIOCD0 / RXD1 / MISO0 / TRACEDATA6 |
| 106 | PE7 / D15 / MTIOC7A / TIOCD3 / POE8# / SCK1 / RSPCK0 / TRACEDATA7 |
| 107 | VSS |
| 108 | VDD |
| 109 | P70 / IRQ0 / D16 / MTIOC6D / RTS1# / USB_OVRCUR / TRACECLK |
| 110 | P71 / D17 / POE0# / POE10# / TOC2 / SCK1 / TRACECTL |
| 111 | P72 / D18 / MTIOC1A / TIC2 / TXD1 / SSITXD0 / TRACEDATA0 |
| 112 | P73 / IRQ3 / D19 / MTCLKB / RXD1 / SSIRXD0 / TRACEDATA1 |
| 113 | P74 / D20 / MTCLKA / CTS1# / SSL03 / SSISCK0 / TRACEDATA2 |
| 114 | P75 / IRQ13 / D21 / MTIOC4D / GTIOC2B / SSL00 / TRACEDATA3 |
| 115 | P76 / D22 / MTIOC4B / GTIOC2A / SSL01 / SSIWS0 / TRACEDATA4 |
| 116 | P77 / D23 / MTIOC4C / GTIOC1B / RSPCK0 / TRACEDATA5 |
| 117 | PA0 / D24 / MTIOC4A / GTIOC1A / MOSI0 / TRACEDATA6 / MDAT3 |
| 118 | PA1 / D25 / MTIOC3D / GTIOC0B / MISO0 / AUDIO_CLK / TRACEDATA7 / MCLK3 |
| 119 | VSS |
| 120 | VDD |
| 121 | PA2 / D26 / MTIOC3B / GTIOC0A / SSL02 / DREQ2 / MDAT2 |
| 122 | PA3 / D27 / ETHSWSECOUT / GTETRQ / TIOCA2 / SCK2 / DACK2 / MCLK2 |
| 123 | PA4 / D28 / ETH1_INT / TIOCA3 / ADTRG0 / RXD2 / TEND2 / MDAT1 |
| 124 | PA5 / D29 / ETH0_INT / ETH1_TXER / TIOCA4 / TXD2 / MCLK1 |
| 125 | PA6 / IRQ6 / D30 / A21 / GTIOC3A / CTS2# / MDAT0 |
| 126 | VCCQ33 |
| 127 | PA7 / IRQ7 / D31 / A22 / MTIOC6B / GTIOC3B / RTS2# / MCLK0 |
| 128 | VDD |
| 129 | VSS |
| 130 | P13 / RAS# / MTIOC4C / GTIOC1B |
| 131 | P14 / CAS# / MTIOC4A / GTIOC1A |
| 132 | P15 / CS3# / CKE / MTIOC3D / GTIOC0B |
| 133 | P16 / CS4# / CS2# / MTIOC3B / GTIOC0A |
| 134 | P17 / CS5# / ETH1_TXER / PHYRESETOUT# / ADTRG0 |

Table 1.6 Pin Assignments (176-Pin HLQFP) (4 / 4)

| Pin Number | Pin Name |
|------------|--|
| 135 | VCCQ33 |
| 136 | VREFH0 |
| 137 | VREFL0 |
| 138 | AVSS0 |
| 139 | AVCC0 |
| 140 | AN000 |
| 141 | AN001 |
| 142 | AN002 |
| 143 | AN003 |
| 144 | AN004 |
| 145 | AN005 |
| 146 | AN006 |
| 147 | AN007 |
| 148 | VDD |
| 149 | VSS |
| 150 | P51 / IRQ1 / PHYLINK1 / RSPCK2 |
| 151 | P54 / CLKOUT25M1 / MOSI2 |
| 152 | P56 / BS# / ETH1_TXER |
| 153 | PD5 / A21 / ETH1_TXD3 / ETH0_TXD0 / TIC0 / SSL20 / MCLK3 |
| 154 | PD6 / A22 / ETH1_TXD2 / ETH0_TXD1 / TIC1 / MISO2 / MCLK2 |
| 155 | PD7 / ETH1_TXD1 / MTIOC4D / GTIOC2B / TOC0 |
| 156 | P86 / ETH1_TXD0 / MTIOC4B / GTIOC2A / TOC1 / RSPCK2 |
| 157 | P87 / A23 / ETH1_TXC / ETH0_RXD0 / MTIOC4C / GTIOC1B / MCLK1 |
| 158 | PF5 / ETH1_TXEN / MTIOC4A / GTIOC1A / TIC2 |
| 159 | VCCQ33 |
| 160 | VDD |
| 161 | VSS |
| 162 | PF6 / ETH1_RXD0 / MTIOC3D / GTIOC0B / TOC2 |
| 163 | PB7 / ETH1_RXD1 / MTIOC3B / GTIOC0A / TOC3 |
| 164 | PC0 / WAIT# / ETH1_RXD2 / GTETRQ / SCL1 / MDAT3 |
| 165 | PC1 / IRQ9 / ETH1_RXD3 / PHYLINK0 / SDA1 / MDAT2 |
| 166 | PB0 / ETH1_RXDV / MTCLKB / TCLKD / TIC3 |
| 167 | PB1 / ETH1_RXER / MTCLKA / TCLKC / CTS4# |
| 168 | PB2 / ETH1_RXC / ETH0_RXD1 / MTIOC1A / SSL30 / MDAT1 |
| 169 | VCCQ33 |
| 170 | PB3 / IRQ3 / CS1# / ETH1_CRS / PHYRESETOUT# / TXD3 / CTXD1 / MCLK0 |
| 171 | PB4 / A24 / ETH1_COL / ETH0_RXER / RXD3 / MOSI3 / MDAT0 |
| 172 | PB5 / ETH_MDIO / TCLKB / POE0# / POE10# / CTS3# / RSPCK3 |
| 173 | VSS |
| 174 | VDD |
| 175 | PB6 / ETH_MDC / TCLKA / SCK3 / RTS4# / MISO3 |
| 176 | PC2 / ETH0_TXC / ETH1_RXD2 / SDA0 |

Table 1.7 List of Pin and Pin Functions (320-Pin FBGA) (1 / 10)

| Pin Number | Power Supply Clock System Control | I/O Port | Bus | Timer (MTU3a, GPTa, TPUa, PPG, POE3, CMTW) | Communication (ETHERC, ECATC*1, SCIFA, RSP1a, RIICa, RSCAN, SPIBSC, USB) | Others (SSI, DSMIF, Encoder I/F) | Interrupt | S12ADCa |
|------------|-----------------------------------|----------|-------|---|---|-------------------------------------|-----------|---------|
| A1 | VSS | | | | | | | |
| A2 | | PC2 | | | ETH0_TXC / ETH1_RXD2 / CATI2CDATA / SDA0 | | | |
| A3 | | PJ3 | | | ETH0_TXD0 | | IRQ11 | ADTRG0 |
| A4 | | PJ1 | | | ETH0_TXD2 / CATLEDSTER / RSPCK3 | | | |
| A5 | | PF7 | A25 | | ETH0_TXER / RTS3# / SSL30 | | IRQ7 | |
| A6 | | PB4 | A24 | | ETH1_COL / ETH0_RXER / CATSYNC0 / CATLATCH0 / RXD3 / MOSI3 | MDAT0 | | |
| A7 | | PB0 | | MTCLKB / TCLKD / TIC3 | ETH1_RXDV | | | |
| A8 | | PC0 | WAIT# | GTETRG | ETH1_RXD2 / SCL1 | MDAT3 | | |
| A9 | | PF6 | | MTIOC3D / GTIOC0B / TOC2 | ETH1_RXD0 | | | |
| A10 | VCCQ33 | | | | | | | |
| A11 | | P54 | | | CLKOUT25M1 / MOSI2 | | | |
| A12 | VSS | | | | | | | |
| A13 | | | | | | | | AN007 |
| A14 | | | | | | | | AN005 |
| A15 | | | | | | | | AN002 |
| A16 | AVCC0 | | | | | | | |
| A17 | AVCC1 | | | | | | | |
| A18 | VREFH1 | | | | | | | |
| A19 | | P17 | CS5# | | ETH1_TXER / PHYRESETOUT# | | | ADTRG0 |
| A20 | VSS | | | | | | | |
| B1 | | PJ5 | | TIOC0D | ETH0_RXD1 / RXD3 | | | |
| B2 | | PJ4 | | | ETH0_RXD0 / TXD3 | | | |
| B3 | | PC3 | | | ETH0_RXC / ETH0_RXDV / CATI2CCLK / RXD4 / SCL0 / CRXD1 | | | |
| B4 | | PJ2 | | | ETH0_TXD1 / MISO3 | | IRQ10 | |
| B5 | | PJ0 | | | ETH0_TXD3 / CATLEDERR / MOSI3 | | IRQ8 | |
| B6 | | PB5 | | TCLKB / POE0# / POE10# | ETH_MDIO / CTS3# / RSPCK3 | | | |

Table 1.7 List of Pin and Pin Functions (320-Pin FBGA) (2 / 10)

| Pin Number | Power Supply Clock System Control | I/O Port | Bus | Timer (MTU3a, GPTa, TPUa, PPG, POE3, CMTW) | Communication (ETHERC, ECATC*1, SCIFA, RSP1a, RIIa, RSCAN, SPIBSC, USB) | Others (SSI, DSMIF, Encoder I/F) | Interrupt | S12ADCa |
|------------|-----------------------------------|----------|-------------|---|--|-------------------------------------|-----------|------------|
| B7 | | PB2 | | MTIOC1A | ETH1_RXC / ETH0_RXD1 / CATSYNC1 / CATLATCH1 / SSL30 | MDAT1 | | |
| B8 | | PC1 | | | ETH1_RXD3 / PHYLINK0 / SDA1 | MDAT2 | IRQ9 | |
| B9 | | PB7 | | MTIOC3B / GTIOC0A / TOC3 | ETH1_RXD1 | | | |
| B10 | | P86 | | MTIOC4B / GTIOC2A / TOC1 | ETH1_TXD0 / RSPCK2 | | | AN1_ANE X0 |
| B11 | | PD7 | | MTIOC4D / GTIOC2B / TOC0 | ETH1_TXD1 | | | AN115 |
| B12 | | P52 | | | ETH0_INT / SSL20 | | | |
| B13 | | | | | | | | AN006 |
| B14 | | | | | | | | AN003 |
| B15 | | | | | | | | AN001 |
| B16 | AVSS0 | | | | | | | |
| B17 | AVSS1 | | | | | | | |
| B18 | VREFL1 | | | | | | | |
| B19 | | P16 | CS4# / CS2# | MTIOC3B / GTIOC0A | | ENCIF12 | | |
| B20 | | P15 | CS3# / CKE | MTIOC3D / GTIOC0B | | ENCIF11 | | |
| C1 | | PJ7 | | | ETH0_RXD3 / CATLEDRUN / CTS3# | | IRQ15 | |
| C2 | | PJ6 | | | ETH0_RXD2 / CATIRQ / SCK3 | | IRQ14 | |
| C3 | | PU2 | | TIOC09 | ETH2_CRS / RXD3 | | IRQ2 | |
| C4 | | PL7 | | | ETH2_RXDV | | IRQ15 | |
| C5 | | PL5 | | TIOCA8 | ETH2_RXD2 | | | |
| C6 | | PB6 | | TCLKA | ETH_MDC / SCK3 / RTS4# / MISO3 | | | |
| C7 | | PB3 | CS1# | | ETH1_CRS / PHYRESETOUT# / TXD3 / CTXD1 | MCLK0 | IRQ3 | |
| C8 | | PB1 | | MTCLKA / TCLKC | ETH1_RXER / CTS4# | | | |
| C9 | | PF5 | | MTIOC4A / GTIOC1A / TIC2 | ETH1_TXEN | | | |
| C10 | | P87 | A23 | MTIOC4C / GTIOC1B | ETH1_TXC / ETH0_RXD0 | MCLK1 | | AN1_ANE X1 |
| C11 | | PD6 | A22 | TIC1 | ETH1_TXD2 / ETH0_TXD1 / MISO2 | MCLK2 | | AN114 |
| C12 | | P53 | | | ETH1_INT / MISO2 | | | |
| C13 | | P51 | | | PHYLINK1 / RSPCK2 | | IRQ1 | |
| C14 | | | | | | | | AN004 |

Table 1.7 List of Pin and Pin Functions (320-Pin FBGA) (3 / 10)

| Pin Number | Power Supply Clock System Control | I/O Port | Bus | Timer (MTU3a, GPTa, TPUa, PPG, POE3, CMTW) | Communication (ETHERC, ECATC*1, SCIFA, RSP1a, RIIa, RSCAN, SPIBSC, USB) | Others (SSI, DSMIF, Encoder I/F) | Interrupt | S12ADCa |
|------------|-----------------------------------|----------|-------|---|--|-------------------------------------|-----------|----------------|
| C15 | | | | | | | | AN000 |
| C16 | VREFL0 | | | | | | | |
| C17 | VREFH0 | | | | | | | |
| C18 | | PD2 | WAIT# | | | | | AN110 |
| C19 | | P14 | CAS# | MTIOC4A / GTIOC1A | | | ENCIF10 | |
| C20 | | P13 | RAS# | MTIOC4C / GTIOC1B | | | | |
| D1 | | P81 | | TIOCC0 | ETH0_RXER / CTS4# | | | |
| D2 | | P80 | | TIOCC3 | ETH0_RXDV / RTS4# | | IRQ8 | |
| D3 | | PU3 | | TIOCD6 | ETH2_COL / TXD3 | | | |
| D18 | | PD0 | CS4# | | | | | AN108 |
| D19 | | P96 | | POE0# / POE10# | | | ENCIF09 | AN106 |
| D20 | | P95 | | MTCLKA | CTS2# | | IRQ13 | AN105 |
| E1 | | P84 | | | ETH0_COL / CATLINKACT1 / RXD4 | | | |
| E2 | | P82 | | TIOCD3 | ETH0_TXEN / ETH1_CRS / SCK4 / RTS3# / USB_OVRCUR | | | |
| E3 | | PU1 | | TIOCA11 | ETH2_RXC / SCK3 | | | |
| E5 | | PU0 | | TIOCA10 | ETH2_RXER | | | |
| E6 | | PL6 | | TIOCA9 | ETH2_RXD3 | | | |
| E7 | | PL4 | | | ETH2_RXD1 | | IRQ4 | |
| E8 | | PL2 | | TIOCA6 | ETH2_TXEN | | | ADTRG1 |
| E9 | | PL0 | | TIOCB9 | ETH2_TXD0 | | | |
| E10 | | PK7 | | TIOCB7 | ETH2_TXD2 | | | |
| E11 | | PK6 | | TIOCB6 | ETH2_TXD3 | | | |
| E12 | | PD5 | A21 | TIC0 | ETH1_TXD3 / ETH0_TXD0 / SSL20 | | MCLK3 | AN113 |
| E13 | | P56 | BS# | | ETH1_TXER | | | |
| E14 | | PD4 | | | ETH2_INT | | | AN112 |
| E15 | VCCQ33 | | | | | | | |
| E16 | | PD1 | CS1# | | | | | AN109 |
| E18 | | P97 | A25 | | | | IRQ7 | ADTRG1 / AN107 |
| E19 | | P94 | | MTCLKB | RTS2# | | ENCIF08 | IRQ4 |
| E20 | | P93 | | MTIOC1A / TIC3 | SCK2 | | ENCIF07 | AN103 |
| F1 | | PC4 | | TCLKH | CATI2CCLK / SCL0 | | | |
| F2 | | P83 | | | ETH0_CRS / CATLINKACT0 / TXD4 | | IRQ11 | |

Table 1.7 List of Pin and Pin Functions (320-Pin FBGA) (4 / 10)

| Pin Number | Power Supply Clock System Control | I/O Port | Bus | Timer (MTU3a, GPTa, TPUa, PPG, POE3, CMTW) | Communication (ETHERC, ECATC*1, SCIFA, RSP1a, RIIc, RSCAN, SPIBSC, USB) | Others (SSI, DSMIF, Encoder I/F) | Interrupt | S12ADCa |
|------------|-----------------------------------|----------|-------------|---|--|-------------------------------------|-----------|---------|
| F3 | | P85 | | | CLKOUT25M0 / TXD4 / SCK4 / USB_VBUSEN | | IRQ5 | |
| F5 | | PU4 | | TIOCC9 | MII2_MDC / CTS3# | | | |
| F6 | VSS | | | | | | | |
| F7 | VCCQ33 | | | | | | | |
| F8 | | PL3 | | TIOCA7 | ETH2_RXD0 | | | |
| F9 | | PL1 | | TIOCB10 | ETH2_TXC | | | |
| F10 | | PK5 | | TIOCB8 | ETH2_TXD1 | | | |
| F11 | | PK4 | | TIOCB11 | ETH2_TXER / MOSI2 | | | |
| F12 | | P55 | A24 | | ETHSWSECOUT | | IRQ5 | |
| F13 | | P50 | CS1# | | PHYLINK0 | | IRQ8 | |
| F14 | | PD3 | | | PHYRESETOUT2# | | | AN111 |
| F15 | | PK2 | A23 | | | | | |
| F16 | | P90 | RAS# | TIOCA5 | TXD4 | | | AN100 |
| F18 | | P92 | CS5# | TOC3 | RXD2 | | | AN102 |
| F19 | | P91 | CAS# | | TXD2 | ENCIF06 | | AN101 |
| F20 | | P12 | | MTIOC4B / GTIOC2A | | | | |
| G1 | | PU6 | | TCLKF | PHYRESETOUT# / CTS4# | | | |
| G2 | | PC5 | | TCLKG | CAT12CDATA / SDA0 | | | |
| G3 | VCCQ33 | | | | | | | |
| G5 | | PU5 | | TIOCC6 | MII2_MDIO / RTS3# | | IRQ13 | |
| G6 | | PM0 | | | CLKOUT25M2 / TXD4 | | | |
| G15 | | PK3 | A24 | | | | | |
| G16 | | PA7 | D31 / A22 | MTIOC6B / GTIOC3B | RTS2# | MCLK0 | IRQ7 | |
| G18 | | PA4 | D28 / TEND2 | TIOCA3 | ETH1_INT / RXD2 | MDAT1 | | ADTRG0 |
| G19 | | PA3 | D27 / DACK2 | GTETRG / TIOCA2 | ETHSWSECOUT / SCK2 | MCLK2 | | |
| G20 | | P11 | | MTIOC4D / GTIOC2B | | | IRQ9 | |
| H1 | | PU7 | | | CATIRQ / RXD4 | | | |
| H2 | | PM1 | | | CATLEDERR / SCK4 | | | |
| H3 | | P35 | | | | | NMI | |
| H5 | ERROROUT# | | | | | | | |
| H6 | VCCQ33 | | | | | | | |
| H8 | VDD | | | | | | | |
| H9 | VDD | | | | | | | |
| H10 | VDD | | | | | | | |
| H11 | VDD | | | | | | | |

Table 1.7 List of Pin and Pin Functions (320-Pin FBGA) (5 / 10)

| Pin Number | Power Supply Clock System Control | I/O Port | Bus | Timer (MTU3a, GPTa, TPUa, PPG, POE3, CMTW) | Communication (ETHERC, ECATC*1, SCIFA, RSP1a, RIICa, RSCAN, SPIBSC, USB) | Others (SSI, DSMIF, Encoder I/F) | Interrupt | S12ADCa |
|------------|-----------------------------------|----------|-------------|---|---|-------------------------------------|-----------|---------|
| H12 | VDD | | | | | | | |
| H13 | VSS | | | | | | | |
| H15 | | PA6 | D30 / A21 | GTIOC3A | CTS2# | MDAT0 | IRQ6 | |
| H16 | | PA5 | D29 | TIOCA4 | ETH0_INT / ETH1_TXER / TXD2 | MCLK1 | | |
| H18 | | PA2 | D26 / DREQ2 | MTIOC3B / GTIOC0A | SSL02 | MDAT2 / ENCIF05 | | |
| H19 | | PK0 | CAS# | PO31 | | ENCIF11 | | |
| H20 | | PK1 | CS5# | | | ENCIF12 | | |
| J1 | | PM6 | | PO19 | CATLINKACT0 | | IRQ6 | |
| J2 | | PM3 | | PO16 | CATSYNC0 / CATLATCH0 | | | |
| J3 | | PM2 | | TCLKE | CATSYNC1 / CATLATCH1 / RTS4# | | | |
| J5 | TDO | P33 | | | | | | |
| J6 | TRST# | | | | | | | |
| J8 | VDD | | | | | | | |
| J9 | VSS | | | | | | | |
| J10 | VSS | | | | | | | |
| J11 | VSS | | | | | | | |
| J12 | VSS | | | | | | | |
| J13 | VDD | | | | | | | |
| J15 | VCCQ33 | | | | | | | |
| J16 | TRACEDATA7 | PA1 | D25 | MTIOC3D / GTIOC0B | MISO0 | AUDIO_CLK / MCLK3 | | |
| J18 | TRACEDATA6 | PA0 | D24 | MTIOC4A / GTIOC1A | MOSI0 | MDAT3 | | |
| J19 | | PT7 | A22 / DACK2 | | | ENCIF10 | | |
| J20 | | PT6 | A21 / DREQ2 | | | | | |
| K1 | | PM7 | | PO20 | CATLINKACT1 | | | |
| K2 | | PM5 | | PO18 | CATLEDSTER | | | |
| K3 | | PM4 | | PO17 | CATLEDRUN | | | |
| K5 | TDI | P34 | | | | | | |
| K6 | PLLVD1 | | | | | | | |
| K8 | VDD | | | | | | | |
| K9 | VSS | | | | | | | |
| K10 | VSS | | | | | | | |
| K11 | VSS | | | | | | | |
| K12 | VSS | | | | | | | |
| K13 | VDD | | | | | | | |
| K15 | VSS | | | | | | | |
| K16 | TRACEDATA5 | P77 | D23 | MTIOC4C / GTIOC1B | RSPCK0 | | | |

Table 1.7 List of Pin and Pin Functions (320-Pin FBGA) (6 / 10)

| Pin Number | Power Supply Clock | I/O Port | Bus | Timer (MTU3a, GPTa, TPUa, PPG, POE3, CMTW) | Communication (ETHERC, ECATC*1, SCIFA, RSP1a, RIIa, RSCAN, SPIBSC, USB) | Others (SSI, DSMIF, Encoder I/F) | Interrupt | S12ADCa |
|------------|--------------------|----------|-------------|---|--|-------------------------------------|-----------|---------|
| K18 | TRACEDATA4 | P76 | D22 | MTIOC4B / GTIOC2A | SSL01 | SSIWS0 | | |
| K19 | TRACEDATA3 | P75 | D21 | MTIOC4D / GTIOC2B | SSL00 | ENCIF04 | IRQ13 | |
| K20 | | PT5 | BS# / TEND2 | PO30 | | | | |
| L1 | MD1 | | | | | | | |
| L2 | MD2 | | | | | | | |
| L3 | TMS | | | | | | | |
| L5 | TCK | | | | | | | |
| L6 | PLLVSS1 | | | | | | | |
| L8 | VDD | | | | | | | |
| L9 | VSS | | | | | | | |
| L10 | VSS | | | | | | | |
| L11 | VSS | | | | | | | |
| L12 | VSS | | | | | | | |
| L13 | VDD | | | | | | | |
| L15 | VSS | | | | | | | |
| L16 | TRACEDATA7 | PE7 | D15 | MTIOC7A / TIOC3 / POE8# | SCK1 / RSPCK0 | | | |
| L18 | TRACEDATA0 | P72 | D18 | MTIOC1A / TIC2 | TXD1 | SSITXD0 / ENCIF02 | | |
| L19 | TRACEDATA1 | P73 | D19 | MTCLKB | RXD1 | SSIRXD0 / ENCIF03 | IRQ3 | |
| L20 | TRACEDATA2 | P74 | D20 | MTCLKA | CTS1# / SSL03 | SSISCK0 | | |
| M1 | XTAL | | | | | | | |
| M2 | EXTAL | | | | | | | |
| M3 | OSCTH | | | | | | | |
| M5 | BSCANP | | | | | | | |
| M6 | PLLVDD0 | | | | | | | |
| M8 | VDD | | | | | | | |
| M9 | VSS | | | | | | | |
| M10 | VSS | | | | | | | |
| M11 | VSS | | | | | | | |
| M12 | VSS | | | | | | | |
| M13 | VDD | | | | | | | |
| M15 | VCCQ33 | | | | | | | |
| M16 | TRACEDATA6 | PE6 | D14 | MTIOC0A / TIOC0 | RXD1 / MISO0 | | IRQ6 | |
| M18 | TRACECLK | P70 | D16 | MTIOC6D | RTS1# / USB_OVRCUR | ENCIF00 | IRQ0 | |
| M19 | | PT4 | CS3# | PO29 | | | | |
| M20 | TRACECTL | P71 | D17 | POE0# / POE10# / TOC2 | SCK1 | ENCIF01 | | |
| N1 | VSS | | | | | | | |
| N2 | MD0 | | | | | | | |

Table 1.7 List of Pin and Pin Functions (320-Pin FBGA) (7 / 10)

| Pin Number | Power Supply Clock | System Control | I/O Port | Bus | Timer | Communication | Others | Interrupt | S12ADCa |
|------------|--------------------|----------------|--------------------|-----|--------------------------------------|---|---------------------------|-----------|---------|
| | | | | | (MTU3a, GPTa, TPUa, PPG, POE3, CMTW) | (ETHERC, ECATC*1, SCIFA, RSP1a, RIIa, RSCAN, SPIBSC, USB) | (SSI, DSMIF, Encoder I/F) | | |
| N3 | RSTOUT# | | | | | | | | |
| N5 | RES# | | | | | | | | |
| N6 | PLLSS0 | | | | | | | | |
| N8 | VDD | | | | | | | | |
| N9 | VSS | | | | | | | | |
| N10 | VDD | | | | | | | | |
| N11 | VDD | | | | | | | | |
| N12 | VDD | | | | | | | | |
| N13 | VDD | | | | | | | | |
| N15 | TRACEDATA2 | PE2 | D10 | | MTCLKC / TIOCB4 | SSL02 | | IRQ2 | |
| N16 | TRACEDATA4 | PE4 | D12 | | MTIOC0B / TIOCC0 | RTS1# / SSL00 | | | |
| N18 | TRACEDATA5 | PE5 | D13 | | MTIOC0C / TIOCC3 | TXD1 / MOSI0 | | | |
| N19 | | PT2 | | | TIOCA1 / TIOCB1 / PO27 | | | | |
| N20 | | PT3 | | | TIOCA0 / TIOCB0 / PO28 | CTS2# | ENCIF09 | IRQ11 | |
| P1 | VSS_USB | | | | | | | | |
| P2 | VDD33_USB | | | | | | | | |
| P3 | USB_RREF | | | | | | | | |
| P5 | | P31 | | | | USB_VBUSEN | | | |
| P6 | VCCQ33 | | | | | | | | |
| P15 | | P06 | D6 | | MTIOC2B / TIOCB0 | | | | |
| P16 | | P07 | D7 | | MTIOC2A / TIOCB1 | | | | |
| P18 | TRACEDATA3 | PE3 | D11 | | MTIOC0D / TIOCB5 | CTS1# / SSL01 | | IRQ3 | |
| P19 | | PT0 | | | TIOCA3 / TIOCB3 / PO25 | SCK2 | ENCIF07 | IRQ0 | |
| P20 | | PT1 | | | TIOCA2 / TIOCB2 / PO26 | RTS2# | ENCIF08 | | |
| R1 | USB_DP | | | | | | | | |
| R2 | USB_DM | | | | | | | | |
| R3 | | P30 | | | | CRXD0 / USB_VBUSIN | | | |
| R5 | | PN0 | | | MTIOC8D | SSL10 | | | |
| R6 | | PN2 | | | MTIOC8B | MOSI1 | | IRQ10 | |
| R7 | | PG0 | A1 | | PO2 | | | | |
| R8 | | PG2 | A3 | | PO4 / TOC0 | RSPCK1 | | | |
| R9 | | PG7 | A8 | | PO9 | | | | |
| R10 | | PH2 | A11 | | MTIOC2A / PO12 | | | | |
| R11 | | PH4 | A13 | | PO14 | | | IRQ4 | |
| R12 | | PH6 | A15 | | MTIOC7D | RTS0# | | | |
| R13 | | P23 | A0 / DACK1 | | MTIC5U | TXD0 | | | |
| R14 | | P27 | A20 | | MTIOC8C / TIOCB0 | RTS0# | | | |
| R15 | | P47 | WE3# / DQMUU / AH# | | MTIOC6C | | | | |

Table 1.7 List of Pin and Pin Functions (320-Pin FBGA) (8 / 10)

| Pin Number | Power Supply Clock System Control | I/O Port | Bus | Timer | Communication | Others | | |
|------------|-----------------------------------|----------|--------------|--------------------------------------|---|---------------------------|-----------|---------|
| | | | | (MTU3a, GPTa, TPUa, PPG, POE3, CMTW) | (ETHERC, ECATC*1, SCIFA, RSP1a, RIIc, RSCAN, SPIBSC, USB) | (SSI, DSMIF, Encoder I/F) | Interrupt | S12ADCa |
| R16 | VCCQ33 | | | | | | | |
| R18 | VCCQ33 | | | | | | | |
| R19 | | PS6 | | TIOCA5 / TIOCB5 / PO23 | RXD2 | ENCIF06 | IRQ14 | |
| R20 | | PS7 | | TIOCA4 / TIOCB4 / PO24 | TXD2 | | | |
| T1 | DVDD_USB | | | | | | | |
| T2 | VDD33_USB | | | | | | | |
| T3 | | P32 | | | USB_OVRCUR | | IRQ10 | |
| T5 | | PC6 | DREQ0 | TCLKC | SCL1 / CRXD0 / USB_VBUSIN | | | |
| T6 | | P37 | WE1# / DQMLU | PO1 | | | | |
| T7 | | P36 | WE0# / DQMLL | PO0 | | | | |
| T8 | | PG3 | A4 | PO5 / TIC1 | MISO1 | | | |
| T9 | | PG6 | A7 | TCLKB / PO8 | SSL11 | | | |
| T10 | | PH3 | A12 | MTIOC1B / PO13 | | | | |
| T11 | VCCQ33 | | | | | | | |
| T12 | | PH5 | A14 | PO15 | | | | |
| T13 | VCCQ33 | | | | | | | |
| T14 | | P26 | A19 / DREQ1 | MTIOC8D | | | | |
| T15 | VCCQ33 | | | | | | | |
| T16 | VSS | | | | | | | |
| T18 | VSS | | | | | | | |
| T19 | TRACEDATA0 | PE0 | D8 | MTIOC1B / TIOCB2 | | | | |
| T20 | TRACEDATA1 | PE1 | D9 | MTCLKD / TIOCB3 | SSL03 | | | |
| U1 | | P60 | TEND0 | | CTXD0 / SPBSSL | | | |
| U2 | | P63 | | | SPBMO / SPBIO0 | | | |
| U3 | | PN1 | | MTIOC8C / PO21 | MISO1 | ENCIF09 | | |
| U18 | TRACECTL | P00 | D0 | MTIOC6A / TIOCA1 | | | | ADTRG1 |
| U19 | | P04 | D4 | MTIOC3C / TIOCA5 | | | | |
| U20 | | P03 | D3 | MTIC5U / TIOCA4 | | | | |
| V1 | | P61 | DACK0 | | CTXD1 / SPBIO3 | | | |
| V2 | | P64 | | | SPBMI / SPBIO1 | | | |
| V3 | | PN3 | | MTIOC8A | RSPCK1 | | | |
| V4 | | PN4 | | MTIOC6C / TIOCC6 | SSL11 | | IRQ12 | |
| V5 | | PC7 | | TIC0 | SDA1 / CRXD1 | | | |
| V6 | | PG1 | A2 | PO3 | | | | |
| V7 | | PG4 | A5 | PO6 / TOC1 | MOSI1 | | | |
| V8 | | PG5 | A6 | TCLKA / PO7 | SSL10 | | | |
| V9 | | PH0 | A9 | PO10 | | | | |
| V10 | | PH1 | A10 | MTIOC2B / PO11 | | | | |
| V11 | | PH7 | A16 | MTIC5W | | | | |

Table 1.7 List of Pin and Pin Functions (320-Pin FBGA) (9 / 10)

| Pin Number | Power Supply Clock System Control | I/O Port | | Timer | Communication | Others | | |
|------------|-----------------------------------|--------------|--------------|--------------------------------------|---|---------------------------|-----------------|---------|
| | | 320-Pin FBGA | Bus | (MTU3a, GPTa, TPUa, PPG, POE3, CMTW) | (ETHERC, ECATC*1, SCIFA, RSPIa, RIIa, RSCAN, SPIBSC, USB) | (SSI, DSMIF, Encoder I/F) | Interrupt | S12ADCa |
| V12 | | P20 | A17 | MTCLKD | | | | |
| V13 | | P21 | CS0# | MTIC5V / TIOCB1 | CTS0# | | IRQ1 | |
| V14 | VSS | | | | | | | |
| V15 | | P45 | CS2# | | | | | |
| V16 | | P46 | CKE | | | | | |
| V17 | | PS2 | | MTIOC7C | | | SSIWS0 | |
| V18 | | P05 | D5 | MTIOC3A | | | | |
| V19 | | P01 | D1 | MTIC5W / TIOCA2 | | | | |
| V20 | | P02 | D2 | MTIC5V / TIOCA3 | | | | |
| W1 | | P62 | | | SPBCLK | | | |
| W2 | | P65 | DREQ0 | | SPBIO2 | | | |
| W3 | | PN5 | | MTIOC6A / TIOCD9 | | | ENCIF10 | IRQ5 |
| W4 | | PN6 | | MTIOC3C / TIOCC9 | | | MCLK3 / ENCIF11 | |
| W5 | | PP0 | TEND0 | POE8# | | | MCLK2 | |
| W6 | | PP2 | | MTIOC0C / TCLKH | | | MCLK1 | |
| W7 | | PP4 | | MTIOC0A | | | MCLK0 | |
| W8 | TRACECTL | PP6 | | TIOCA11 | RXD1 | | ENCIF06 | |
| W9 | TRACECLK | PP7 | DACK1 | TCLKF / TCLKH | SCK1 | | | |
| W10 | TRACEDATA1 | PR1 | TEND1 | POE4# | CTS1# | | ENCIF08 | IRQ9 |
| W11 | TRACEDATA3 | PR3 | | TIOCA10 / TIOCB10 | | | ENCIF01 | |
| W12 | TRACEDATA5 | PR5 | | TIOCA8 / TIOCB8 | | | ENCIF03 | |
| W13 | | P24 | RD/WR# | | RXD0 | | IRQ12 | |
| W14 | | P22 | RD# | MTIOC7B / TIOCD0 | SCK0 | | IRQ2 | |
| W15 | | P44 | WAIT# | TCLKD | CTS0# | | IRQ12 | ADTRG0 |
| W16 | | P43 | WE2# / DQMUL | MTIOC8B | USB_VBUSEN | | | |
| W17 | | PS1 | | MTIOC7B | | | SSISCK0 | IRQ1 |
| W18 | | PS3 | | MTIOC7A | | | SSIRXD0 | |
| W19 | | PS4 | | MTIOC6D | | | SSITXD0 | |
| W20 | | PS5 | | MTIOC6B | | | | |
| Y1 | VSS | | | | | | | |
| Y2 | | P67 | TEND0 | GTIOC3B | CTXD0 / USB_OVRCUR | | IRQ15 | |
| Y3 | | P66 | DACK0 | GTIOC3A | CTXD1 / USB_VBUSEN | | IRQ14 | |
| Y4 | | PN7 | DREQ0 | MTIOC3A / TIOCD6 | | | MDAT3 / ENCIF12 | |
| Y5 | | PP1 | DACK0 | MTIOC0D | | | MDAT2 | |
| Y6 | | PP3 | | MTIOC0B / TCLKC | | | MDAT1 | |
| Y7 | | PP5 | | PO22 | | | MDAT0 | |
| Y8 | VSS | | | | | | | |
| Y9 | TRACEDATA0 | PR0 | DREQ1 | TCLKE / TCLKG | TXD1 | | ENCIF07 | |
| Y10 | TRACEDATA2 | PR2 | | TIOCA11 / TIOCB11 | RTS1# | | ENCIF00 | |

Table 1.7 List of Pin and Pin Functions (320-Pin FBGA) (10 / 10)

| Pin Number | Power Supply Clock | I/O Port | Bus | Timer (MTU3a, GPTa, TPUa, PPG, POE3, CMTW) | Communication (ETHERC, ECATC*1, SCIFA, RSP1a, RIICa, RSCAN, SPIBSC, USB) | Others (SSI, DSMIF, Encoder I/F) Interrupt S12ADCa |
|------------|--------------------|----------|-------------|---|---|---|
| Y11 | TRACEDATA4 | PR4 | | TIOCA9 / TIOCB9 | | ENCIF02 |
| Y12 | TRACEDATA6 | PR6 | | TIOCA7 / TIOCB7 | | ENCIF04 |
| Y13 | TRACEDATA7 | PR7 | | TIOCA6 / TIOCB6 | | ENCIF05 |
| Y14 | | P25 | A18 / TEND1 | MTCLKC | | |
| Y15 | | P41 | BS# | | SCK0 | |
| Y16 | | P42 | | MTIOC7C | RXD0 | |
| Y17 | | P40 | | MTIOC8A | TXD0 | |
| Y18 | | PS0 | | MTIOC7D | | AUDIO_CLK |
| Y19 | TRACECLK | P10 | CKIO | TIOCA0 | | IRQ0 |
| Y20 | VSS | | | | | |

Note 1. Optional

Table 1.8 List of Pin and Pin Functions (176-Pin HLQFP) (1 / 6)

| Pin Number | Power Supply Clock System Control | I/O Port | Bus | Timer (MTU3a, GPTa, TPUa, PPG, POE3, CMTW) | Communication (ETHERC, SCIFA, RSPIa, RIICa, RSCAN, SPIBSC, USB) | Others (SSI, DSMIF) Interrupt S12ADCa |
|------------|-----------------------------------|----------|-----|---|--|--|
| 1 | | PC3 | | | ETH0_RXC / ETH0_RXDV / RXD4 / SCL0 / CRXD1 | |
| 2 | VCCQ33 | | | | | |
| 3 | VSS | | | | | |
| 4 | VDD | | | | | |
| 5 | | P82 | | TIOCD3 | ETH0_TXEN / ETH1_CRS / SCK4 / RTS3# / USB_OVRCUR | |
| 6 | | P85 | | | CLKOUT25M0 / TXD4 / SCK4 / USB_VBUSEN | IRQ5 |
| 7 | ERROROUT # | | | | | |
| 8 | | P35 | | | | NMI |
| 9 | TRST# | | | | | |
| 10 | TDO | P33 | | | | |
| 11 | TDI | P34 | | | | |
| 12 | TMS | | | | | |
| 13 | TCK | | | | | |
| 14 | BSCANP | | | | | |
| 15 | VDD | | | | | |
| 16 | VSS | | | | | |
| 17 | MD2 | | | | | |
| 18 | MD1 | | | | | |
| 19 | PLLVD1 | | | | | |
| 20 | PLLVS1 | | | | | |
| 21 | OSC1H | | | | | |
| 22 | VCCQ33 | | | | | |
| 23 | EXTAL | | | | | |
| 24 | XTAL | | | | | |
| 25 | VSS | | | | | |
| 26 | MD0 | | | | | |
| 27 | PLLVD0 | | | | | |
| 28 | PLLVS0 | | | | | |
| 29 | RES# | | | | | |
| 30 | RSTOUT# | | | | | |
| 31 | VDD | | | | | |
| 32 | VSS | | | | | |
| 33 | VDD33_USB | | | | | |
| 34 | VSS_USB | | | | | |
| 35 | USB_RREF | | | | | |

Table 1.8 List of Pin and Pin Functions (176-Pin HLQFP) (2 / 6)

| Pin Number | Power Supply Clock System Control | I/O Port | Bus | Timer (MTU3a, GPTa, TPUa, PPG, POE3, CMTW) | Communication (ETHERC, SCIFA, RSPIa, RIICa, RSCAN, SPIBSC, USB) | Others | | |
|------------|-----------------------------------|----------|--------------|---|--|--------------|-----------|---------|
| | | | | | | (SSI, DSMIF) | Interrupt | S12ADCa |
| 36 | USB_DM | | | | | | | |
| 37 | USB_DP | | | | | | | |
| 38 | VDD33_USB | | | | | | | |
| 39 | DVDD_USB | | | | | | | |
| 40 | | P30 | | | CRXD0 / USB_VBUSIN | | | |
| 41 | | P60 | TEND0 | | CTXD0 / SPBSSL | | | |
| 42 | | P61 | DACK0 | | CTXD1 / SPBIO3 | | | |
| 43 | VCCQ33 | | | | | | | |
| 44 | | P62 | | | SPBCLK | | | |
| 45 | VSS | | | | | | | |
| 46 | | P63 | | | SPBMO / SPBIO0 | | | |
| 47 | | P64 | | | SPBMI / SPBIO1 | | | |
| 48 | | P65 | DREQ0 | | SPBIO2 | | | |
| 49 | VSS | | | | | | | |
| 50 | VDD | | | | | | | |
| 51 | | P36 | WE0# / DQMLL | PO0 | | | | |
| 52 | | P37 | WE1# / DQMLU | PO1 | | | | |
| 53 | | PG0 | A1 | PO2 | | | | |
| 54 | | PG1 | A2 | PO3 | | | | |
| 55 | VCCQ33 | | | | | | | |
| 56 | | PG2 | A3 | PO4 / TOC0 | RSPCK1 | | | |
| 57 | | PG3 | A4 | PO5 / TIC1 | MISO1 | | | |
| 58 | | PG4 | A5 | PO6 / TOC1 | MOSI1 | | | |
| 59 | | PG5 | A6 | TCLKA / PO7 | SSL10 | | | |
| 60 | | PG6 | A7 | TCLKB / PO8 | SSL11 | | | |
| 61 | | PG7 | A8 | PO9 | | | | |
| 62 | | PH0 | A9 | PO10 | | | | |
| 63 | | PH1 | A10 | MTIOC2B / PO11 | | | | |
| 64 | | PH2 | A11 | MTIOC2A / PO12 | | | | |
| 65 | | PH3 | A12 | MTIOC1B / PO13 | | | | |
| 66 | VDD | | | | | | | |
| 67 | VSS | | | | | | | |
| 68 | | PH4 | A13 | PO14 | | | | IRQ4 |
| 69 | | PH5 | A14 | PO15 | | | | |
| 70 | | PH6 | A15 | MTIOC7D | RTS0# | | | |
| 71 | | PH7 | A16 | MTIC5W | | | | |
| 72 | | P24 | RD/WR# | | RXD0 | | | IRQ12 |
| 73 | | P21 | CS0# | MTIC5V / TIOCB1 | CTS0# | | | IRQ1 |
| 74 | | P22 | RD# | MTIOC7B / TIOCD0 | SCK0 | | | IRQ2 |

Table 1.8 List of Pin and Pin Functions (176-Pin HLQFP) (3 / 6)

| Pin Number | Power Supply Clock System Control | I/O Port | Bus | Timer (MTU3a, GPTa, TPUa, PPG, POE3, CMTW) | Communication (ETHERC, SCIFA, RSPIa, RIICa, RSCAN, SPIBSC, USB) | Others (SSI, DSMIF) Interrupt S12ADCa |
|------------|-----------------------------------|----------|------------------|---|--|--|
| 75 | | P23 | A0 / DACK1 | MTIC5U | TXD0 | |
| 76 | | P20 | A17 | MTCLKD | | |
| 77 | | P25 | A18 / TEND1 | MTCLKC | | |
| 78 | | P26 | A19 / DREQ1 | MTIOC8D | | |
| 79 | | P27 | A20 | MTIOC8C / TIOCB0 | RTS0# | |
| 80 | VDD | | | | | |
| 81 | VSS | | | | | |
| 82 | | P42 | | MTIOC7C | RXD0 | |
| 83 | | P40 | | MTIOC8A | TXD0 | |
| 84 | | P43 | WE2# / DQMUL | MTIOC8B | USB_VBUSEN | |
| 85 | | P47 | WE3# / DQMUU/AH# | MTIOC6C | | |
| 86 | VCCQ33 | | | | | |
| 87 | TRACECLK | P10 | CKIO | TIOCA0 | | IRQ0 |
| 88 | VSS | | | | | |
| 89 | TRACECTL | P00 | D0 | MTIOC6A / TIOCA1 | | |
| 90 | | P01 | D1 | MTIC5W / TIOCA2 | | |
| 91 | | P02 | D2 | MTIC5V / TIOCA3 | | |
| 92 | VCCQ33 | | | | | |
| 93 | | P03 | D3 | MTIC5U / TIOCA4 | | |
| 94 | | P04 | D4 | MTIOC3C / TIOCA5 | | |
| 95 | | P05 | D5 | MTIOC3A | | |
| 96 | | P06 | D6 | MTIOC2B / TIOCB0 | | |
| 97 | | P07 | D7 | MTIOC2A / TIOCB1 | | |
| 98 | TRACEDATA 0 | PE0 | D8 | MTIOC1B / TIOCB2 | | |
| 99 | TRACEDATA 1 | PE1 | D9 | MTCLKD / TIOCB3 | SSL03 | |
| 100 | VSS | | | | | |
| 101 | TRACEDATA 2 | PE2 | D10 | MTCLKC / TIOCB4 | SSL02 | IRQ2 |
| 102 | TRACEDATA 3 | PE3 | D11 | MTIOC0D / TIOCB5 | CTS1# / SSL01 | IRQ3 |
| 103 | TRACEDATA 4 | PE4 | D12 | MTIOC0B / TIOCC0 | RTS1# / SSL00 | |
| 104 | TRACEDATA 5 | PE5 | D13 | MTIOC0C / TIOCC3 | TXD1 / MOSI0 | |
| 105 | TRACEDATA 6 | PE6 | D14 | MTIOC0A / TIOCD0 | RXD1 / MISO0 | IRQ6 |

Table 1.8 List of Pin and Pin Functions (176-Pin HLQFP) (4 / 6)

| Pin Number | Power Supply Clock System Control | I/O Port | Bus | Timer (MTU3a, GPTa, TPUa, PPG, POE3, CMTW) | Communication (ETHERC, SCIFA, RSPIa, RIICa, RSCAN, SPIBSC, USB) | Others | | |
|------------|-----------------------------------|----------|-------------|---|--|--------------|-------------------|---------|
| | | | | | | (SSI, DSMIF) | Interrupt | S12ADCa |
| 106 | TRACEDATA 7 | PE7 | D15 | MTIOC7A / TIOCD3 / POE8# | SCK1 / RSPCK0 | | | |
| 107 | VSS | | | | | | | |
| 108 | VDD | | | | | | | |
| 109 | TRACECLK | P70 | D16 | MTIOC6D | RTS1# / USB_OVRCUR | | IRQ0 | |
| 110 | TRACECTL | P71 | D17 | POE0# / POE10# / TOC2 | SCK1 | | | |
| 111 | TRACEDATA 0 | P72 | D18 | MTIOC1A / TIC2 | TXD1 | | SSITXD0 | |
| 112 | TRACEDATA 1 | P73 | D19 | MTCLKB | RXD1 | | SSIRXD0 | IRQ3 |
| 113 | TRACEDATA 2 | P74 | D20 | MTCLKA | CTS1# / SSL03 | | SSISCK0 | |
| 114 | TRACEDATA 3 | P75 | D21 | MTIOC4D / GTIOC2B | SSL00 | | | IRQ13 |
| 115 | TRACEDATA 4 | P76 | D22 | MTIOC4B / GTIOC2A | SSL01 | | SSIWS0 | |
| 116 | TRACEDATA 5 | P77 | D23 | MTIOC4C / GTIOC1B | RSPCK0 | | | |
| 117 | TRACEDATA 6 | PA0 | D24 | MTIOC4A / GTIOC1A | MOSI0 | | MDAT3 | |
| 118 | TRACEDATA 7 | PA1 | D25 | MTIOC3D / GTIOC0B | MISO0 | | AUDIO_CLK / MCLK3 | |
| 119 | VSS | | | | | | | |
| 120 | VDD | | | | | | | |
| 121 | | PA2 | D26 / DREQ2 | MTIOC3B / GTIOC0A | SSL02 | | MDAT2 | |
| 122 | | PA3 | D27 / DACK2 | GTETRG / TIOCA2 | ETHSWSECOUT / SCK2 | | MCLK2 | |
| 123 | | PA4 | D28 / TEND2 | TIOCA3 | ETH1_INT / RXD2 | | MDAT1 | ADTRG0 |
| 124 | | PA5 | D29 | TIOCA4 | ETH0_INT / ETH1_TXER / TXD2 | | MCLK1 | |
| 125 | | PA6 | D30 / A21 | GTIOC3A | CTS2# | | MDAT0 | IRQ6 |
| 126 | VCCQ33 | | | | | | | |
| 127 | | PA7 | D31 / A22 | MTIOC6B / GTIOC3B | RTS2# | | MCLK0 | IRQ7 |
| 128 | VDD | | | | | | | |
| 129 | VSS | | | | | | | |
| 130 | | P13 | RAS# | MTIOC4C / GTIOC1B | | | | |
| 131 | | P14 | CAS# | MTIOC4A / GTIOC1A | | | | |
| 132 | | P15 | CS3# / CKE | MTIOC3D / GTIOC0B | | | | |
| 133 | | P16 | CS4# / CS2# | MTIOC3B / GTIOC0A | | | | |

Table 1.8 List of Pin and Pin Functions (176-Pin HLQFP) (5 / 6)

| Pin Number | Power Supply Clock System Control | I/O Port | | Timer (MTU3a, GPTa, TPUa, PPG, POE3, CMTW) | Communication (ETHERC, SCIFA, RSPIa, RIICa, RSCAN, SPIBSC, USB) | Others | | |
|------------|-----------------------------------|----------|-------|---|--|--------------|-----------|---------|
| | | Port | Bus | | | (SSI, DSMIF) | Interrupt | S12ADCa |
| 134 | | P17 | CS5# | | ETH1_TXER / PHYRESETOUT# | | | ADTRG0 |
| 135 | VCCQ33 | | | | | | | |
| 136 | VREFH0 | | | | | | | |
| 137 | VREFL0 | | | | | | | |
| 138 | AVSS0 | | | | | | | |
| 139 | AVCC0 | | | | | | | |
| 140 | | | | | | | | AN000 |
| 141 | | | | | | | | AN001 |
| 142 | | | | | | | | AN002 |
| 143 | | | | | | | | AN003 |
| 144 | | | | | | | | AN004 |
| 145 | | | | | | | | AN005 |
| 146 | | | | | | | | AN006 |
| 147 | | | | | | | | AN007 |
| 148 | VDD | | | | | | | |
| 149 | VSS | | | | | | | |
| 150 | | P51 | | | PHYLINK1 / RSPCK2 | | IRQ1 | |
| 151 | | P54 | | | CLKOUT25M1 / MOSI2 | | | |
| 152 | | P56 | BS# | | ETH1_TXER | | | |
| 153 | | PD5 | A21 | TIC0 | ETH1_TXD3 / ETH0_TXD0 / SSL20 | | MCLK3 | |
| 154 | | PD6 | A22 | TIC1 | ETH1_TXD2 / ETH0_TXD1 / MISO2 | | MCLK2 | |
| 155 | | PD7 | | MTIOC4D / GTIOC2B / TOC0 | ETH1_TXD1 | | | |
| 156 | | P86 | | MTIOC4B / GTIOC2A / TOC1 | ETH1_TXD0 / RSPCK2 | | | |
| 157 | | P87 | A23 | MTIOC4C / GTIOC1B | ETH1_TXC / ETH0_RXD0 | | MCLK1 | |
| 158 | | PF5 | | MTIOC4A / GTIOC1A / TIC2 | ETH1_TXEN | | | |
| 159 | VCCQ33 | | | | | | | |
| 160 | VDD | | | | | | | |
| 161 | VSS | | | | | | | |
| 162 | | PF6 | | MTIOC3D / GTIOC0B / TOC2 | ETH1_RXD0 | | | |
| 163 | | PB7 | | MTIOC3B / GTIOC0A / TOC3 | ETH1_RXD1 | | | |
| 164 | | PC0 | WAIT# | GTETRG | ETH1_RXD2 / SCL1 | | MDAT3 | |

Table 1.8 List of Pin and Pin Functions (176-Pin HLQFP) (6 / 6)

| Pin Number | Power Supply Clock System Control | I/O Port | Bus | Timer (MTU3a, GPTa, TPUa, PPG, POE3, CMTW) | Communication (ETHERC, SCIFA, RSPIa, RIICa, RSCAN, SPIBSC, USB) | Others (SSI, DSMIF) Interrupt S12ADCa |
|------------|-----------------------------------|----------|------|---|--|--|
| 165 | | PC1 | | | ETH1_RXD3 / PHYLINK0 / SDA1 | MDAT2 IRQ9 |
| 166 | | PB0 | | MTCLKB / TCLKD / TIC3 | ETH1_RXDV | |
| 167 | | PB1 | | MTCLKA / TCLKC | ETH1_RXER / CTS4# | |
| 168 | | PB2 | | MTIOC1A | ETH1_RXC / ETH0_RXD1 / SSL30 | MDAT1 |
| 169 | VCCQ33 | | | | | |
| 170 | | PB3 | CS1# | | ETH1_CRS / PHYRESETOUT# / TXD3 / CTXD1 | MCLK0 IRQ3 |
| 171 | | PB4 | A24 | | ETH1_COL / RXD3 / MOSI3 / ETH0_RXER | MDAT0 |
| 172 | | PB5 | | TCLKB / POE0# / POE10# | ETH_MDIO / CTS3# / RSPCK3 | |
| 173 | VSS | | | | | |
| 174 | VDD | | | | | |
| 175 | | PB6 | | TCLKA | ETH_MDC / SCK3 / RTS4# / MISO3 | |
| 176 | | PC2 | | | ETH0_TXC / ETH1_RXD2 / SDA0 | |

2. Electrical Characteristics

2.1 Absolute Maximum Ratings

Table 2.1 Absolute Maximum Rating

Conditions: VSS = PLLVSS0 = PLLVSS1 = AVSS0 = AVSS1 = VREFL0 = VREFL1 = VSS_USB = 0 V

| Item | Symbol | Value | Unit |
|---|-------------------|--------------------------------|------|
| Power supply voltage (I/O) | VCCQ33 | -0.3 to +4.2 | V |
| Power supply voltage (internal) | VDD | -0.3 to +1.6 | V |
| PLL power supply voltage | PLLVDD0, PLLVDD1 | -0.3 to +1.6 | V |
| Input voltage (except for ports for 5-V tolerant*1) | V _{in1} | -0.3 to VCCQ33 + 0.3*5 | V |
| Input voltage (ports for 5-V tolerant*1) | V _{in2} | -0.3 to +5.5*3 | V |
| Analog power supply voltage | AVCC0, AVCC1*2 | -0.3 to +4.2 | V |
| Reference power supply voltage | VREFH0, VREFH1 | -0.3 to (AVCC0, AVCC1) + 0.3*5 | V |
| USB digital power supply voltage | DVDD_USB | -0.3 to +1.6 | V |
| USB power supply voltage | VDD33_USB*2 | -0.3 to +4.2 | V |
| Analog input voltage | V _{AN} | -0.3 to (AVCC0, AVCC1) + 0.3*5 | V |
| Operating temperature (junction temperature) | T _j *4 | -40 to +125 | °C |
| Storage temperature | T _{stg} | -55 to +125 | °C |

[Usage Notes]

- Do not directly connect output pins (I/O pins in output state) of IC products to other output pins (including I/O pins in output state), power pins, or GND pins. However, output pins are directly connectable in an external circuit where timing design is provided to avoid conflict of outputs of high-impedance pins such as I/O pins.
- If even a single item exceeds the absolute maximum rating for even a moment, it may degrade the product's quality. In other words, the absolute maximum rating is a rated value that potentially causes physical damage to products. Use products with a margin of the absolute maximum rating.
Specified values and conditions shown in DC characteristics and AC characteristics are the range of normal operation and quality assurance of products.

Note 1. Ports PC0 to PC7 and P30 are 5-V tolerant.

Note 2. When the A/D converter unit 0 is not to be used, connect the AVCC0 and VREFH0 pins to VCCQ33 and the AVSS0 and VREFL0 pins to VSS, respectively. Do not leave these pins open. In the same way, when the A/D converter unit 1 is not to be used, connect the AVCC1 and VREFH1 pins to VCCQ33 and the AVSS1 and VREFL1 pins to VSS, respectively. Do not leave these pins open. When the USB is not to be used, connect the VDD33_USB pin to VCCQ33, the VSS_USB pin to VSS, and the DVDD_USB pin to VDD, respectively. Do not leave these pins open.

Note 3. When VCCQ33 is less than 3.0 V, the rated value of ports for 5-V tolerant is 3.6 V.

Note 4. For operations at the temperatures over 110 °C (junction temperature), refer to the RZ/T1 Group Application Note: Precautions for High-Temperature Operations (R01AN3116).

Note 5. Do not exceed the absolute maximum rating, 4.2 V.

2.2 Power On/Off Sequence

Turn on and off each power supply voltage according to the procedure shown in the figure below.

When turning on the power, be sure to fix TRST# pins and RES# pins to the low level. Otherwise, initialization is not performed successfully.

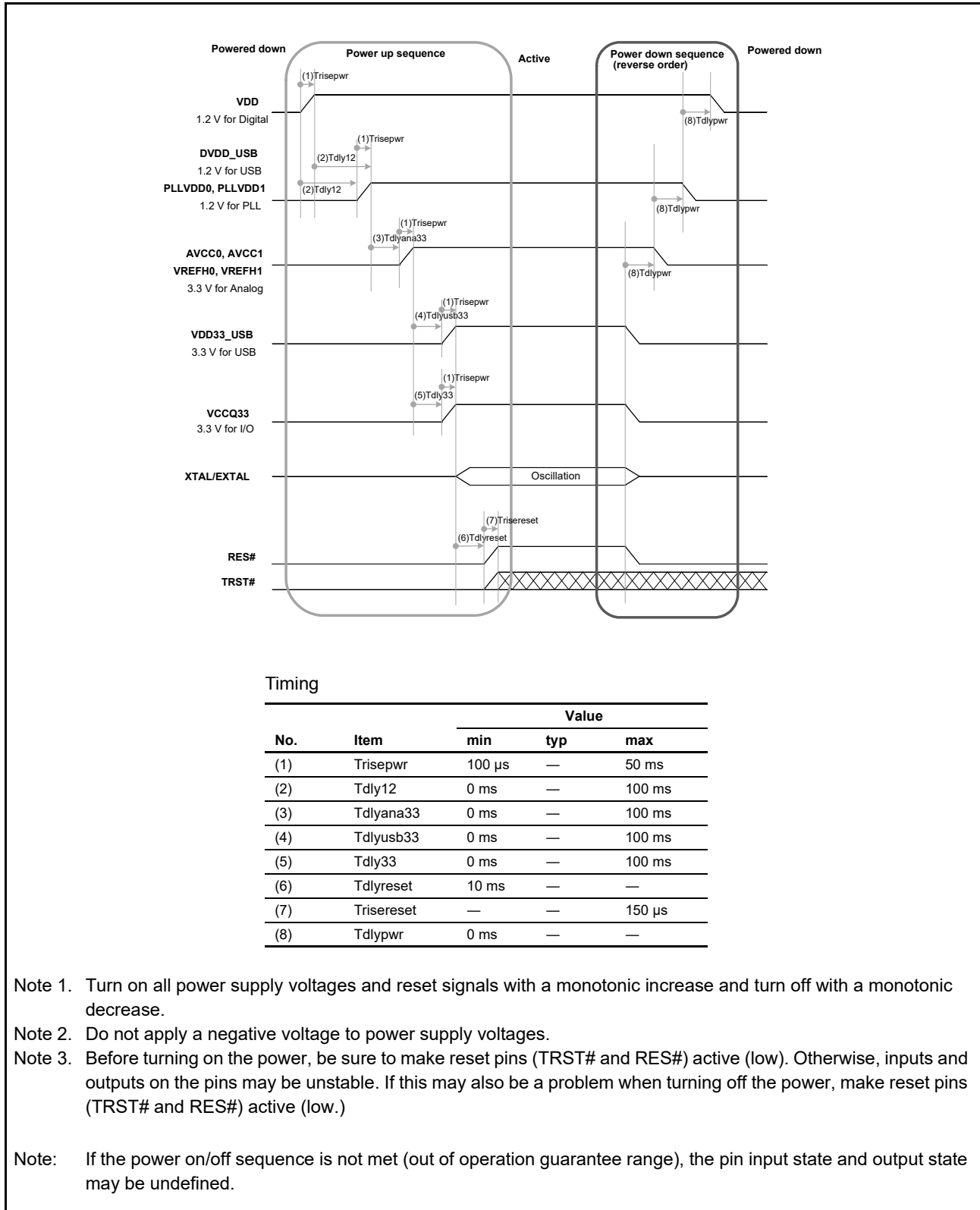


Figure 2.1 Power On/Off Sequence

2.3 DC Characteristics

- Conditions: VDD = PLLVDD0 = PLLVDD1 = DVDD_USB = 1.14 to 1.26 V,
VCCQ33 = AVCC0 = AVCC1 = VREFH0 = VREFH1 = VDD33_USB = 3.0 to 3.6 V
VSS = PLLVSS0 = PLLVSS1 = AVSS0 = AVSS1 = VREFL0 = VREFL1 = VSS_USB = 0 V,
Tj = -40 to 125°C

Note: The 176-pin HLQFP does not have pins AVCC1, AVSS1, VREFH1, and VREFL1.

Table 2.2 DC Characteristics (1)

| Item | Symbol | min | typ | max | Unit | Test Conditions |
|----------------------------------|---------------------|------|-----|------|------|-----------------|
| Power supply voltage (I/O) | VCCQ33 | 3.0 | 3.3 | 3.6 | V | |
| Power supply voltage (internal) | VDD | 1.14 | 1.2 | 1.26 | V | |
| PLL power supply voltage | PLLVDD0, PLLVDD1 | 1.14 | 1.2 | 1.26 | V | |
| USB digital power supply voltage | DVDD_USB | 1.14 | 1.2 | 1.26 | V | |
| Analog power supply voltage | AVCC0, AVCC1 | 3.0 | 3.3 | 3.6 | V | |
| USB power supply voltage | VDD33_USB | 3.0 | 3.3 | 3.6 | V | |

Table 2.3 DC Characteristics (2) [Power Supply] (1 / 2)

| Item | Type | Symbol | typ | max | Unit | Test Conditions | | | | | | | | | | | | | | | | | |
|------------------|-----------------|--------|------|---|------|---|---|---|---|---|---|---|---|-----|---|----|---|-------------------------|---|----|---|----|---|
| Normal operation | VDD | 600MHz | Vlcc | 330 | 820 | mA | Tj = -40 to 125 °C (R7S910018CBG, R7S910118CBG) | | | | | | | | | | | | | | | | |
| | | | | 273 | 752 | | | mA | Tj = -40 to 125 °C (R7S910017CBG, R7S910117CBG) | | | | | | | | | | | | | | |
| | | | | 265 | 740 | | | | | mA | Tj = -40 to 125 °C (R7S910028CBG, R7S910128CBG) | | | | | | | | | | | | |
| | | | | 258 | 731 | | | | | | | mA | Tj = -40 to 125 °C (R7S910013CBG, R7S910113CBG) | | | | | | | | | | |
| | | | | 209 | 673 | | | | | | | | | mA | Tj = -40 to 125 °C (R7S910027CBG, R7S910127CBG) | | | | | | | | |
| | | | | 201 | 663 | | | | | | | | | | | mA | Tj = -40 to 125 °C (R7S910007CBG, R7S910107CBG) | | | | | | |
| | | | | 310 | 798 | | | | | | | | | | | | | mA | Tj = -40 to 125 °C (R7S910016CBG, R7S910116CBG) | | | | |
| | | | | 253 | 730 | | | | | | | | | | | | | | | mA | Tj = -40 to 125 °C (R7S910015CBG, R7S910115CBG) | | |
| | | | | 245 | 718 | | | | | | | | | | | | | | | | | mA | Tj = -40 to 125 °C (R7S910026CBG, R7S910126CBG) |
| | | | | 238 | 709 | | | | | | | | | | | | | | | | | | |
| | 189 | 651 | mA | Tj = -40 to 125 °C (R7S910025CBG, R7S910125CBG) | | | | | | | | | | | | | | | | | | | |
| | 181 | 641 | | | mA | Tj = -40 to 125 °C (R7S910002CBG, R7S910006CBG, R7S910102CBG, R7S910106CBG) | | | | | | | | | | | | | | | | | |
| | 180 | 640 | | | | | mA | Tj = -40 to 125 °C (R7S910001CFP, R7S910101CFP) | | | | | | | | | | | | | | | |
| | 225 | 696 | | | | | | | mA | Tj = -40 to 125 °C (R7S910036CBG, R7S910136CBG) | | | | | | | | | | | | | |
| | 169 | 629 | | | | | | | | | mA | Tj = -40 to 125 °C (R7S910035CBG, R7S910135CBG) | | | | | | | | | | | |
| | PLLVD0 + PLLVD1 | PLLIcc | | | | | | | | | | | 3.2 | 5 | mA | | | | | | | | |
| | VCCQ33 | V33lcc | | | | | | | | | | | 19*1, *2 | — | | | | | | | | | |
| | AVCC0 | AV0lcc | | | | | | | | | | | 2 | 5 | | | mA | A/D conversion (unit 0) | | | | | |
| | AVCC1 | AV1lcc | | | | | | | | | | | 0.7 | 1.5 | | | | | A/D conversion (unit 1) | | | | |

Table 2.3 DC Characteristics (2) [Power Supply] (2 / 2)

| Item | Type | Symbol | typ | max | Unit | Test Conditions |
|--|-----------------|---------|------------------------|-----|------|------------------------------|
| Normal operation | VREFH0 | VRF0Icc | 0.07 | 0.2 | mA | A/D conversion (unit 0) |
| | VREFH1 | VRF1Icc | 0.07 | 0.2 | mA | A/D conversion (unit 1) |
| | DVDD_USB | V12UIcc | 5.1 | 9 | mA | USB high-speed communication |
| | | | 3.5 | 9 | mA | USB full-speed communication |
| | VDD33_USB | V33UIcc | 15 ^{*1} | — | mA | USB high-speed communication |
| | | | 10 ^{*1} | — | mA | USB full-speed communication |
| Standby mode with all modules being inactive (reference value) | VDD | VIcc | 41 | — | mA | |
| | PLLVD0 + PLLVD1 | PLLIcc | 3.2 | — | mA | |
| | VCCQ33 | V33Icc | 0.35 ^{*1, *2} | — | mA | |
| | AVCC0 | AV0Icc | 0.64 | — | μA | |
| | AVCC1 | AV1Icc | 0.32 | — | μA | |
| | VREFH0 | VRF0Icc | 0.24 | — | μA | |
| | VREFH1 | VRF1Icc | 0.24 | — | μA | |
| | DVDD_USB | V12UIcc | 3.5 | — | mA | UTMI suspend mode |
| | VDD33_USB | V33UIcc | 9.6 ^{*1} | — | mA | UTMI suspend mode |

Note 1. These values are reference values. The actual operating current greatly depends on the system (such as unsharpened waveforms due to I/O load and toggle frequency). Be sure to measure these current values in the system.

Note 2. V33Icc must be 80 mA or less. (ΣI_{OH} in Table 2.9)

Table 2.4 DC Characteristics (3) [Except for USB2.0 Host/Function-Related Pins]

| Item | | Symbol | min | typ | max | Unit | Test Conditions |
|---|---|-----------------|------------------------------|-----|------------------------|------------------|--|
| Schmitt trigger Input voltage | Other than 5-V tolerant pins | V_{IH1} | 2.4 | — | $V_{CCQ33} + 0.3$ | V | |
| | | V_{IL1} | -0.3 | — | 0.8 | V | |
| | | ΔV_{T1} | V_{CCQ33} $\times 0.05$ | — | — | V | |
| 5-V tolerant pins*1 | | V_{IH2} | V_{CCQ33} $\times 0.7$ | — | 5.3^{*2} | V | |
| | | V_{IL2} | -0.3 | — | $V_{CCQ33} \times 0.3$ | V | |
| | | ΔV_{T2} | V_{CCQ33} $\times 0.05$ | — | — | V | |
| Input high level voltage (except for schmitt trigger input pins) | | V_{IH3} | 2.4 | — | $V_{CCQ33} + 0.3$ | V | |
| Input low level voltage (except for schmitt trigger input pins) | | V_{IL3} | -0.3 | — | 0.8 | V | |
| Output high level voltage | Other than 5-V tolerant pins | V_{OH} | V_{CCQ33} $- 0.5$ | — | — | V | $I_{OH} = -2 \text{ mA}$ |
| Output low level voltage | Other than 5-V tolerant pins | V_{OL1} | — | — | 0.4 | V | $I_{OL1} = 2 \text{ mA}$ |
| | 5-V tolerant pins*1 | V_{OL2} | — | — | 0.4 | V | $I_{OL2} = 3 \text{ mA}$ |
| | | | — | — | 0.6 | V | $I_{OL2} = 6 \text{ mA}$ |
| Input leakage current | | $ I_{in} $ | — | — | 1.0 | μA | $V_{in1} = V_{in2} = 0 \text{ V}$ $V_{in1} = V_{in2} = V_{CCQ33}$ |
| Three-state leakage current (off state) | Input/output and output pins excluding 5-V tolerant pins | $ I_{TS} $ | — | — | 1.0 | μA | $V_{in1} = 0 \text{ V}$ $V_{in1} = V_{CCQ33}$ |
| | 5-V tolerant pins | | — | — | 5.0 | μA | $V_{in2} = 0 \text{ V}$ $V_{in2} = V_{CCQ33}$ |
| Input pull-up MOS current and resistance | Ports P50 to P56, P86 to P87, P90 to P97, PD0 to PD7 | I_{pu1} | -300 | — | -30 | μA | $V_{CCQ33} = 3.0 \text{ to } 3.6 \text{ V}$ $V_{in1} = V_{in2} = 0 \text{ V}$ |
| | | R_{pu1} | 10 | — | 120 | $\text{k}\Omega$ | |
| | Pins other than the above*3 | I_{pu2} | -120 | — | -7 | μA | $V_{CCQ33} = 3.0 \text{ to } 3.6 \text{ V}$ $V_{in1} = V_{in2} = 0 \text{ V}$ |
| | | R_{pu2} | 25 | — | 515 | $\text{k}\Omega$ | |
| Input pull-down MOS current and resistance | Ports P50 to P56, P86 to P87, P90 to P97, PD0 to PD7 | I_{pd1} | 30 | — | 300 | μA | $V_{CCQ33} = 3.0 \text{ to } 3.6 \text{ V}$ $V_{in1} = V_{in2} = V_{CCQ33}$ |
| | | R_{pd1} | 10 | — | 120 | $\text{k}\Omega$ | |
| | Pins other than the above*3 | I_{pd2} | 7 | — | 120 | μA | $V_{CCQ33} = 3.0 \text{ to } 3.6 \text{ V}$ $V_{in1} = V_{in2} = V_{CCQ33}$ |
| | | R_{pd2} | 25 | — | 515 | $\text{k}\Omega$ | |
| Pin capacity | All input/output and input pins | C_{in} | — | — | 10 | pF | |

Note 1. Ports PC0 to PC7 and P30 are 5-V tolerant.

Note 2. When VCCQ33 is less than 3.00 V, do not apply voltage of 3.6 V or higher to 5-V tolerant pins.

Note 3. 5-V tolerant pins are not included.

Table 2.5 DC Characteristics (4) [USB2.0 USB_RREF Pin]

| Item | Symbol | min | typ | max | Unit | Test Conditions |
|--------------------|------------------|---------|-----|-----|------|-----------------|
| Reference resistor | R _{REF} | 200 ±1% | | | Ω | |

Table 2.6 DC Characteristics (5) [USB2.0 Host/Function-Related Pins (Items for Both Full Speed and High Speed)*1]

| Item | Symbol | min | typ | max | Unit | Test Conditions |
|--|-----------------|-------|-----|-------|------|----------------------------|
| DP pull-up resistor (when the function controller operation is selected) | R _{PU} | 0.900 | — | 1.575 | kΩ | Idle |
| | | 1.425 | — | 3.090 | kΩ | Transmission/ reception |
| DP/DM pull-down resistors (when the host function is selected) | R _{PD} | 14.25 | — | 24.80 | kΩ | |

Note 1. USB_DP and USB_DM pins

Table 2.7 DC Characteristics (6) [USB2.0 Host/Function-Related Pins (Full Speed)*1]

| Item | Symbol | min | typ | max | Unit | Measuring Condition |
|------------------------------------|--------------------|-----|-----|-----|------|-----------------------------|
| Input high level voltage | V _{FSIH} | 2.0 | — | — | V | |
| Input low level voltage | V _{FSIL} | — | — | 0.8 | V | |
| Differential input sensitivity | V _{FSDI} | 0.2 | — | — | V | (USB_DP) – (USB_DM) |
| Differential common mode range | V _{FSCM} | 0.8 | — | 2.5 | V | |
| Output high level voltage | V _{FSOH} | 2.8 | — | 3.6 | V | I _{FSOH} = -200 μA |
| Output low level voltage | V _{FSOL} | 0.0 | — | 0.3 | V | I _{FSOL} = 2 mA |
| Output signal crossover voltage | V _{FSCRS} | 1.3 | — | 2.0 | V | CL = 50 pF (full-speed) |

Note 1. USB_DP and USB_DM pins

Table 2.8 DC Characteristics (7) [USB2.0 Host/Function-Related Pins (High Speed)*1]

| Item | Symbol | min | typ | max | Unit | Test Conditions |
|---|---------------------|-------|-----|------|------|-----------------|
| Squelch detection threshold voltage (differential voltage) | V _{HSSQ} | 100 | — | 150 | mV | |
| Common mode voltage range | V _{HSCM} | -50 | — | 500 | mV | |
| Idle state | V _{HSOI} | -10.0 | — | 10.0 | mV | |
| Output high level voltage | V _{HSOH} | 360 | — | 440 | mV | |
| Output low level voltage | V _{HSOL} | -10.0 | — | 10.0 | mV | |
| Chirp J output voltage (differential) | V _{CHIRPJ} | 700 | — | 1100 | mV | |
| Chirp K output voltage (differential) | V _{CHIRPK} | -900 | — | -500 | mV | |

Note 1. USB_DP and USB_DM pins

Table 2.9 Permissible Output Currents

| Item | | Symbol | min | typ | max | Unit |
|--|------------------------------|-----------------|-----|-----|------|------|
| Permissible output low current (average value per pin) | Other than 5-V tolerant pins | I_{OL1} | — | — | 2.0 | mA |
| | 5-V tolerant pins | I_{OL2} | — | — | 3.0 | mA |
| Permissible output low current (maximum value per pin) | Other than 5-V tolerant pins | I_{OL1} | — | — | 4.0 | mA |
| | 5-V tolerant pins | I_{OL2} | — | — | 6.0 | mA |
| Permissible output low current (total) | Total of all output pins | ΣI_{OL} | — | — | 80 | mA |
| Permissible output high current (average value per pin) | All output pins | I_{OH} | — | — | -2.0 | mA |
| Permissible output high current (maximum value per pin) | All output pins | I_{OH} | — | — | -4.0 | mA |
| Permissible output high current (total) | Total of all output pins | ΣI_{OH} | — | — | -80 | mA |

[Usage Notes] All output current values shall be within the values in Table 2.9 to ensure the reliability of this LSI.

2.4 AC Characteristics

- Conditions: VDD = PLLVDD0 = PLLVDD1 = DVDD_USB = 1.14 to 1.26 V,
VCCQ33 = AVCC0 = AVCC1 = VREFH0 = VREFH1 = VDD33_USB = 3.0 to 3.6 V
VSS = PLLVSS0 = PLLVSS1 = AVSS0 = AVSS1 = VREFL0 = VREFL1 = VSS_USB = 0 V,
Tj = -40 to 125 °C

Note: The 176-pin HLQFP does not have pins AVCC1, AVSS1, VREFH1, and VREFL1.

Table 2.10 Operating Frequency

| Item | | Symbol | min | max | Unit | |
|--|--|--------|-----|-------|------|-----|
| Operating frequency | CPU clock (CPUCLK) | *1 | 150 | 600 | MHz | |
| | | *2 | 150 | 450 | | |
| | | *3 | 150 | 300 | | |
| | System clock (ICLK) | | | 150 | | |
| | Peripheral module clock (PCLKA) | | | 150 | | |
| | Peripheral module clock (PCLKB) | | | 75 | | |
| | Peripheral module clock (PCLKC) | | | 150 | | |
| | Peripheral module clock (PCLKD) | | | 75 | | |
| | Peripheral module clock (PCLKE) | | | 18.75 | | 75 |
| | Peripheral module clock (PCLKF) | | | 7.5 | | 60 |
| | Peripheral module clock (PCLKG) | | | 7.5 | | 60 |
| | Peripheral module clock (PCLKH) | | | 60 | | |
| | High-speed serial clock (SERICKL) | | | 120 | | 150 |
| | ΔΣ interface clock output (DSCLK0, DSCLK1) | | | 6.25 | | 25 |
| | External bus clock output (CKIO) | | | 18.75 | | 75 |
| External clock output for Ethernet PHY (CLKOUT25M) | | | 25 | 50 | | |

Note 1. For R7S910007CBG, R7S910107CBG, R7S910013CBG, R7S910113CBG, R7S910017CBG, R7S910117CBG, R7S910018CBG, R7S910118CBG, R7S910027CBG, R7S910127CBG, R7S910028CBG, and R7S910128CBG only.

Note 2. For R7S910001CFP, R7S910101CFP, R7S910002CBG, R7S910102CBG, R7S910006CBG, R7S910106CBG, R7S910011CBG, R7S910111CBG, R7S910015CBG, R7S910115CBG, R7S910016CBG, R7S910116CBG, R7S910025CBG, R7S910125CBG, R7S910026CBG, and R7S910126CBG only.

Note 3. For R7S910035CBG, R7S910135CBG, R7S910036CBG, and R7S910136CBG only.

2.4.1 Clock Timing

Table 2.11 CKIO Pin Output Timing

Output load condition: C = 30 pF

| Item | Symbol | min | typ | max | Unit | Test Conditions |
|--|-------------|-------------------------|-----|------|------|---|
| CKIO pin output cycle time | t_{CKcyc} | 13.3 | — | 53.4 | ns | Figure 2.2 |
| CKIO pin output high level pulse width | t_{CKH} | $t_{CKcyc}/2 - t_{CKr}$ | — | — | ns | |
| CKIO pin output low level pulse width | t_{CKL} | $t_{CKcyc}/2 - t_{CKf}$ | — | — | ns | |
| CKIO pin output rising time 1 | t_{CKr} | — | — | 5 | ns | CKIO: High drive output setting*1 |
| CKIO pin output falling time 1 | t_{CKf} | — | — | 5 | ns | $V_{OH} = V_{CCQ33} - 0.5 V$ $V_{OL1} = 0.4 V$ |
| CKIO pin output rising time 2 | t_{CKr} | — | — | 9 | ns | CKIO: Normal output setting |
| CKIO pin output falling time 2 | t_{CKf} | — | — | 9 | ns | $V_{OH} = V_{CCQ33} - 0.5 V$ $V_{OL1} = 0.4 V$ |
| CKIO pin output rising time 3 | t_{CKr} | — | — | 2.5 | ns | CKIO: High drive output setting*1 |
| CKIO pin output falling time 3 | t_{CKf} | — | — | 2.5 | ns | $V_{OH} = 2.0 V$ $V_{OL1} = 0.8 V$ |
| CKIO pin output rising time 4 | t_{CKr} | — | — | 4.5 | ns | CKIO: Normal output setting |
| CKIO pin output falling time 4 | t_{CKf} | — | — | 4.5 | ns | $V_{OH} = 2.0 V$ $V_{OL1} = 0.8 V$ |

Note 1. When connecting SDRAM, be sure to set the B0 bit in the drive capacity control register (DSCR) to 1 to be a high drive output.

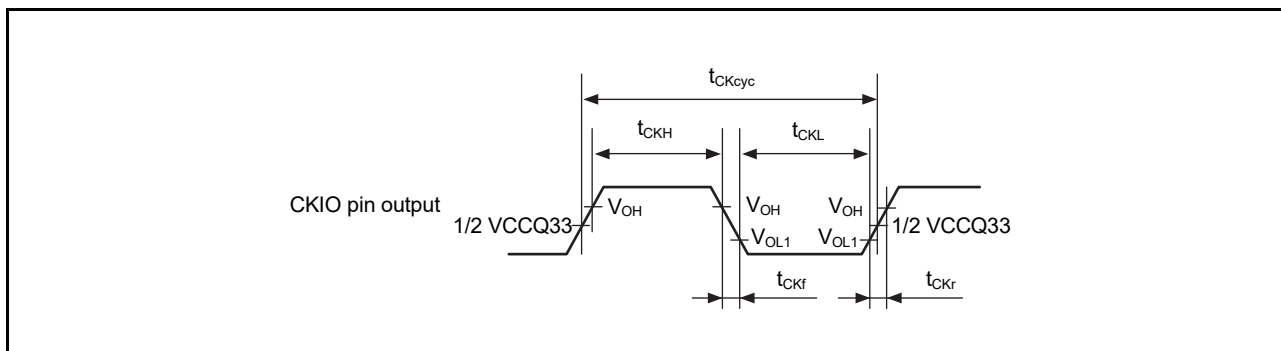


Figure 2.2 CKIO Pin Output Timing

Table 2.12 CLKOUT25Mn Timing

Output load conditions: $V_{OH} = 2.0\text{ V}$, $V_{OL1} = 0.8\text{ V}$, $C = 25\text{ pF}$ (RMII)
 $V_{OH} = V_{CCQ33} - 0.5\text{ V}$, $V_{OL1} = 0.4\text{ V}$, $C = 30\text{ pF}$ (MII)

| Item | Symbol | min | max | Unit | Test Conditions | |
|-------------------|--------------------------------------|-----------------|------------------------|------------------------|-----------------|------------|
| CLKOUT25Mn (RMII) | CLKOUT25Mn cycle time | T_{ck1} | 20 | — | ns | Figure 2.3 |
| | CLKOUT25Mn frequency | Typ. 50 MHz | — | 50 + 50 ppm | MHz | |
| | CLKOUT25Mn duty | — | 35 | 65 | % | |
| | CLKOUT25Mn output low pulse width 1 | T_{ckl1} | $T_{ck1}/2 - T_{ckf1}$ | $T_{ck1}/2 + T_{ckf1}$ | ns | |
| | CLKOUT25Mn output high pulse width 1 | T_{ckh1} | $T_{ck1}/2 - T_{ckr1}$ | $T_{ck1}/2 + T_{ckr1}$ | ns | |
| | CLKOUT25Mn rising/falling time 1 | $T_{ckr1}/ckf1$ | 0.5 | 4 | ns | |
| CLKOUT25Mn (MII) | CLKOUT25Mn cycle time | T_{ck2} | 40 | — | ns | Figure 2.4 |
| | CLKOUT25Mn frequency | Typ. 25 MHz | — | 25 + 50 ppm | MHz | |
| | CLKOUT25Mn duty | — | 35 | 65 | % | |
| | CLKOUT25Mn output low pulse width 2 | T_{ckl2} | $T_{ck2}/2 - T_{ckf2}$ | $T_{ck2}/2 + T_{ckf2}$ | ns | |
| | CLKOUT25Mn output high pulse width 2 | T_{ckh2} | $T_{ck2}/2 - T_{ckr2}$ | $T_{ck2}/2 + T_{ckr2}$ | ns | |
| | CLKOUT25Mn rising/falling time 2 | $T_{ckr2}/ckf2$ | 0.5 | 9 | ns | |

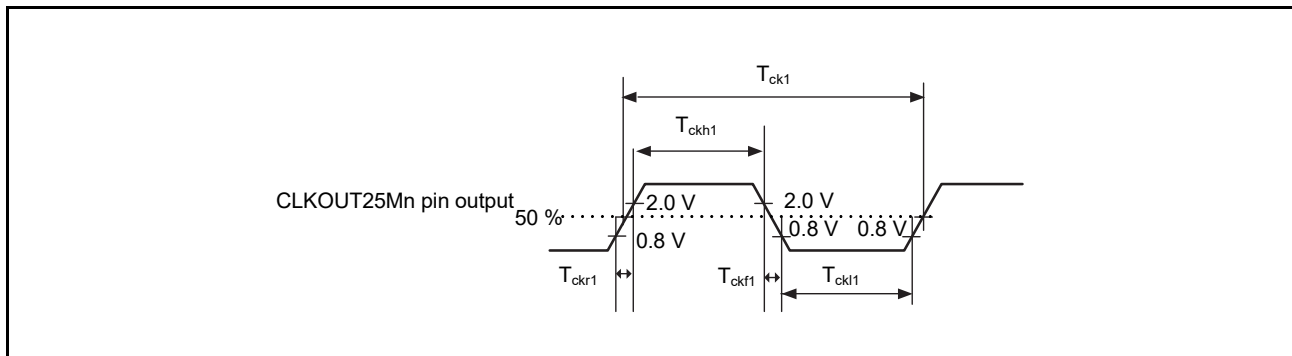


Figure 2.3 CLKOUT25Mn Pin Output Timing 1

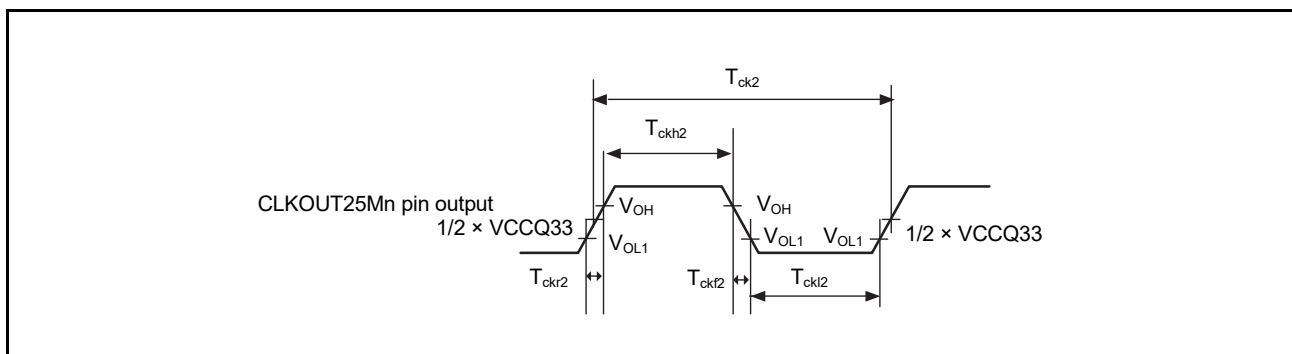
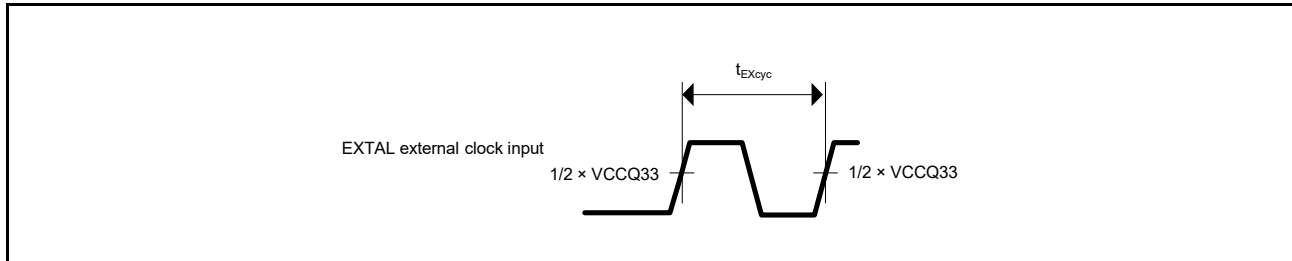


Figure 2.4 CLKOUT25Mn Pin Output Timing 2

Table 2.13 EXTAL Clock Timing

| Item | Symbol | min | typ | max | Unit |
|---------------------------------------|-------------|-----|-----------------|-----|------|
| EXTAL external clock input cycle time | t_{EXcyc} | | 40.00 ± 50 ppm | | ns |
| | | | 25.00 ± 25ppm*1 | | MHz |

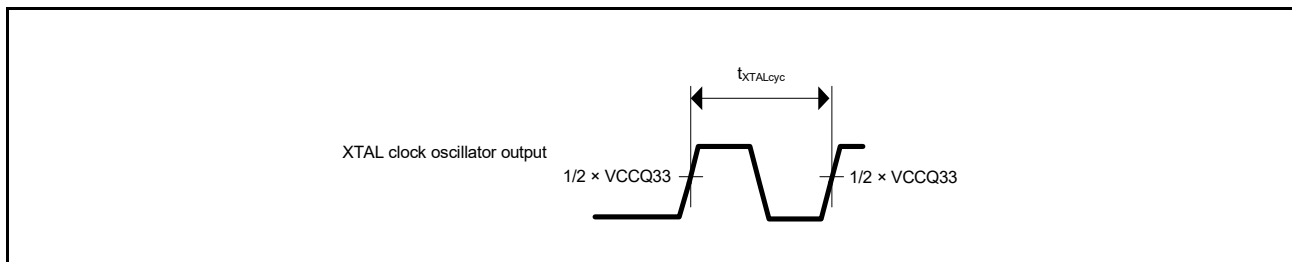
Note 1. When EtherCAT is in use.

**Figure 2.5 EXTAL External Clock Input Timing****Table 2.14 XTAL Clock Timing**

| Item | Symbol | min | typ | max | Unit |
|--------------------------------------|---------------|-----|------------------|-----|------|
| XTAL clock oscillator output cycle*1 | $t_{XTALcyc}$ | | 40.00 ± 50 ppm*2 | | ns |

Note 1. When using the XTAL clock, ask the oscillator manufacturer to evaluate oscillation of the oscillator. For the oscillation stabilization time, see the evaluation result provided by the oscillator manufacturer.

Note 2. When using the EtherCAT, make sure that the clock timing satisfies 25.00 MHz ± 25 ppm.

**Figure 2.6 XTAL Clock Oscillator Output Timing****Table 2.15 LOCO Clock Timing**

| Item | Symbol | min | typ | max | Unit | Test Conditions |
|--|--------------|------|------|------|---------|-----------------|
| LOCO clock cycle time | t_{Lcyc} | 4.62 | 4.17 | 3.79 | μ s | |
| LOCO clock oscillation frequency | f_{LOCO} | 216 | 240 | 264 | kHz | |
| LOCO clock oscillation stabilization wait time | t_{LOCOWT} | — | — | 40 | μ s | Figure 2.7 |

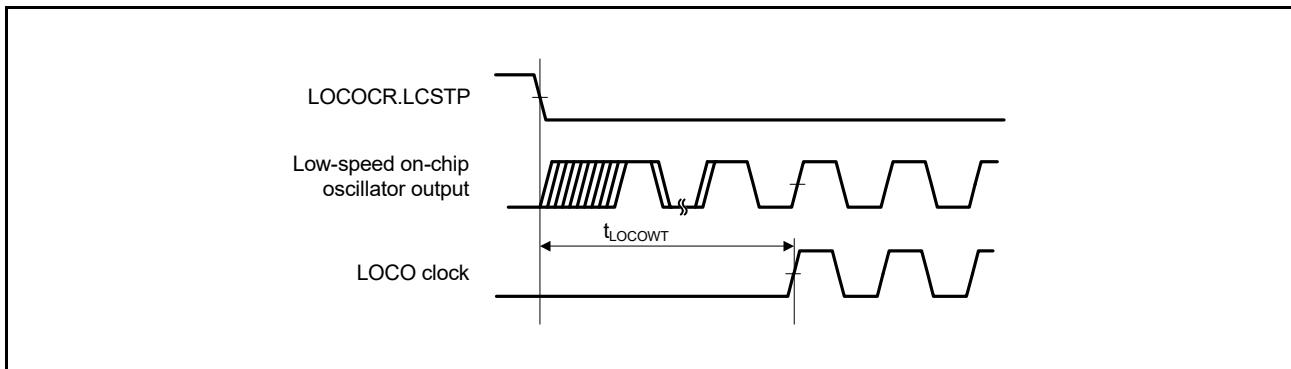


Figure 2.7 LOCO Clock Oscillation Start Timing

2.4.2 Reset Timing and Interrupt Timing

Table 2.16 Reset Timing and Interrupt Timing

| Item | | Symbol | Min*1 | typ | max | Unit | Test Conditions |
|---------------------|------------------|-----------------|--------------------|-----|-----|---------|-----------------|
| RES# pulse width | At power on | $T_{dlyreset}$ | 10 | — | — | ms | Figure 2.8 |
| | Other than above | $T_{dlyreset2}$ | 1 | — | — | ms | |
| RES# rising time | | $T_{risereset}$ | — | — | 150 | μ s | |
| TRST# pulse width | At power on | $T_{dlyreset}$ | 10 | — | — | ms | |
| | Other than above | $T_{dlyreset2}$ | 1 | — | — | ms | |
| TRST# rising time | | $T_{risereset}$ | — | — | 150 | μ s | |
| NMI pulse width | | t_{NMIW} | $t_{cyc} \times 2$ | — | — | ns | Figure 2.9 |
| IRQ pulse width | | t_{IRQW} | $t_{cyc} \times 2$ | — | — | ns | Figure 2.10 |
| ETH_INT pulse width | | t_{EINTW} | $t_{cyc} \times 2$ | — | — | ns | Figure 2.11 |

Note 1. t_{cyc} : ICLK cycle

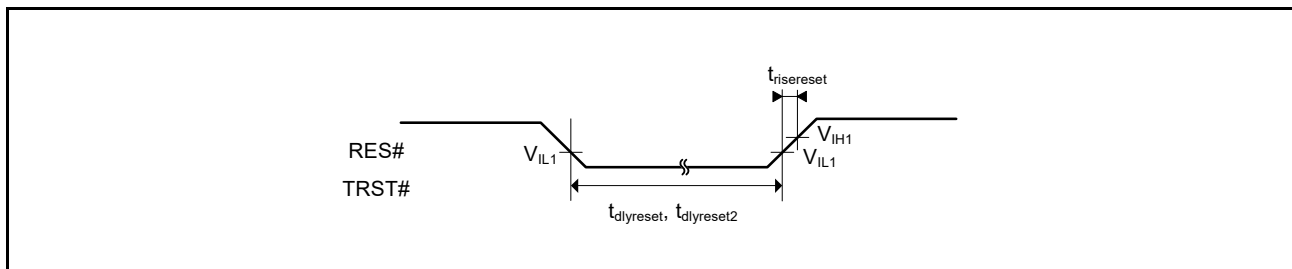


Figure 2.8 Reset Input Timing

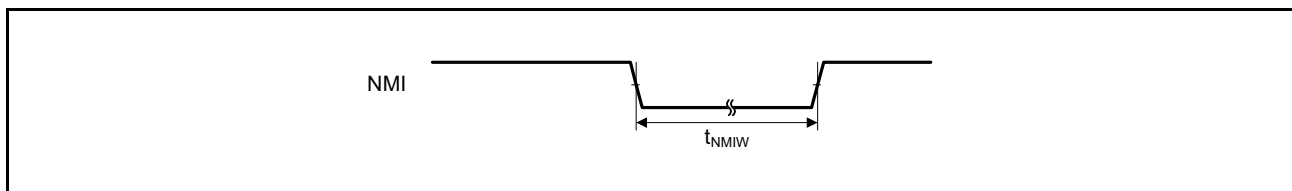


Figure 2.9 NMI Interrupt Input Timing

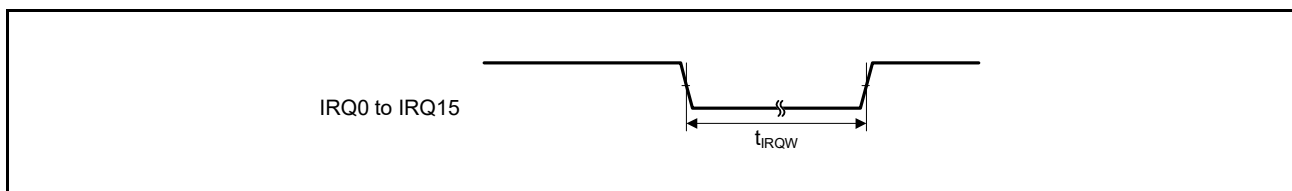


Figure 2.10 IRQ Interrupt Input Timing

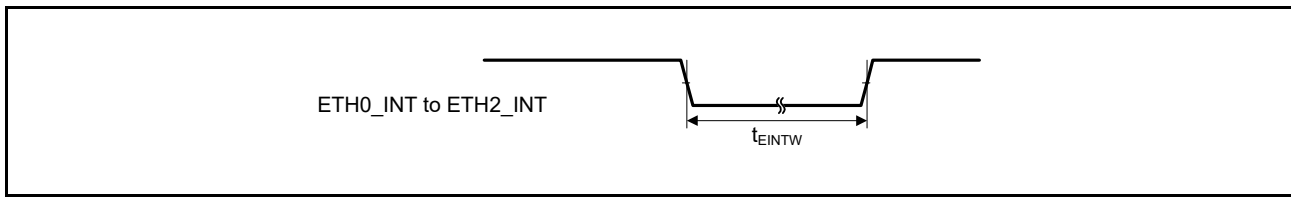


Figure 2.11 ETH_INT Interrupt Input Timing

2.4.3 Bus Timing

Table 2.17 Bus Timing (1 / 2)Output load conditions: $V_{OH} = V_{CCQ33} \times 0.5$, $V_{OL1} = V_{CCQ33} \times 0.5$, $C = 30$ pF

| Item | Symbol | CKIO = $1/t_{CKcyc}^{*1}$ | | Unit | Reference Figure | |
|---------------------------|----------------------|---------------------------|--------------------|---------------------|------------------|--|
| | | Min. | Max. | | | |
| Address delay time 1 | SDRAM*3 | t_{AD1} | 2 | 10 | ns | Figure 2.12 to Figure 2.36 |
| | Other than the above | | 0 | 10 | ns | |
| Address delay time 2 | | t_{AD2} | $1/2t_{CKcyc}$ | $1/2t_{CKcyc} + 10$ | ns | Figure 2.19 |
| Address setup time | | t_{AS} | 0 | — | ns | Figure 2.12 to Figure 2.15, Figure 2.19 |
| Chip enable setup time | | t_{cs} | 0 | — | ns | Figure 2.12 to Figure 2.15, Figure 2.19 |
| Address hold time | | t_{AH} | 0 | — | ns | Figure 2.12 to Figure 2.15 |
| BS# delay time | | t_{BSD} | — | 10 | ns | Figure 2.12 to Figure 2.33 |
| CS# delay time 1 | SDRAM*3 | t_{CSD1} | 2 | 10 | ns | Figure 2.12 to Figure 2.36 |
| | Other than the above | | 0 | 10 | ns | |
| Read/write delay time 1 | SDRAM*3 | t_{RWD1} | 2 | 10 | ns | Figure 2.12 to Figure 2.36 |
| | Other than the above | | 0 | 10 | ns | |
| Read strobe delay time | | t_{RSD} | $1/2t_{CKcyc}$ | $1/2t_{CKcyc} + 10$ | ns | Figure 2.12 to Figure 2.19 |
| Read data setup time 1*4 | High-drive output | t_{RDS1} | $1/2t_{CKcyc} + 4$ | — | ns | Figure 2.12 to Figure 2.18 |
| | Normal output | | $1/2t_{CKcyc} + 7$ | — | ns | |
| Read data setup time 2*4 | High-drive output | t_{RDS2} | 6.6 | — | ns | Figure 2.20 to Figure 2.23, Figure 2.28 to Figure 2.30 |
| | Normal output | | 10 | — | ns | |
| Read data setup time 3*4 | High-drive output | t_{RDS3} | $1/2t_{CKcyc} + 4$ | — | ns | Figure 2.19 |
| | Normal output | | $1/2t_{CKcyc} + 7$ | — | ns | |
| Read data hold time 1 | | t_{RDH1} | 0 | — | ns | Figure 2.12 to Figure 2.18 |
| Read data hold time 2 | | t_{RDH2} | 2 | — | ns | Figure 2.20 to Figure 2.23, Figure 2.28 to Figure 2.30 |
| Read data hold time 3 | | t_{RDH3} | 0 | — | ns | Figure 2.19 |
| Write enable delay time 1 | | t_{WED1} | $1/2t_{CKcyc}$ | $1/2t_{CKcyc} + 10$ | ns | Figure 2.12 to Figure 2.17 |
| Write enable delay time 2 | | t_{WED2} | — | 10 | ns | Figure 2.18 |
| Write data delay time 1 | | t_{WDD1} | — | 10 | ns | Figure 2.12 to Figure 2.18 |
| Write data delay time 2 | | t_{WDD2} | — | 10 | ns | Figure 2.24 to Figure 2.27, Figure 2.31 to Figure 2.33 |
| Write data hold time 1 | | t_{WDH1} | 1 | — | ns | Figure 2.12 to Figure 2.18 |

Table 2.17 Bus Timing (2 / 2)Output load conditions: $V_{OH} = V_{CCQ33} \times 0.5$, $V_{OL1} = V_{CCQ33} \times 0.5$, $C = 30$ pF

| Item | Symbol | CKIO = $1/t_{CKcyc}^{*1}$ | | Unit | Reference Figure |
|------------------------------|-------------------|---------------------------|----------------------|------|--|
| | | Min. | Max. | | |
| Write data hold time 2 | t_{WDH2} | 2 | — | ns | Figure 2.24 to Figure 2.27, Figure 2.31 to Figure 2.33 |
| Write data hold time 4 | t_{WDH4} | 0 | — | ns | Figure 2.12 to Figure 2.16 |
| WAIT# setup time*4 | High-drive output | t_{WTS} | $1/2t_{CKcyc} + 4.5$ | ns | Figure 2.13 to Figure 2.19 |
| | Normal output | | $1/2t_{CKcyc} + 8$ | ns | |
| WAIT# hold time | t_{WTH} | $1/2t_{CKcyc} + 3.5$ | — | ns | Figure 2.13 to Figure 2.19 |
| RAS# delay time 1 | t_{RASD1} | 2 | 10 | ns | Figure 2.20 to Figure 2.36 |
| CAS# delay time 1 | t_{CASD1} | 2 | 10 | ns | Figure 2.20 to Figure 2.36 |
| DQM delay time 1 | t_{DQMD1} | 2 | 10 | ns | Figure 2.20 to Figure 2.33 |
| CKE delay time 1 | t_{CKED1} | 2 | 10 | ns | Figure 2.35 |
| AH# delay time | t_{AHD} | $1/2t_{CKcyc}$ | $1/2t_{CKcyc} + 10$ | ns | Figure 2.16 |
| Multiplex address delay time | t_{MAD} | — | 10 | ns | Figure 2.16 |
| Multiplex address hold time | t_{MAH} | 1 | — | ns | Figure 2.16 |
| Address setup time to AH# | t_{AVVH} | $1/2t_{CKcyc} - 2$ | — | ns | Figure 2.16 |
| DACK/TEND delay time | t_{DACD} | See DMAC timing | See DMAC timing | ns | Figure 2.12 to Figure 2.33 |

Note 1. Take the number of cycles of waiting that suits the system configuration into consideration with regard to the fmax value for CKIO (the external bus clock). When CKIO is running at 50 MHz or a higher frequency, set the B0 bit of the driving ability control register (DSCR) to 1 to select high-drive output. When CKIO is running at less than 50 MHz, normal output of CKIO can be used (DSCR.B0 bit = 0).

Note 2. Notation of $1/2t_{CKcyc}$ in the delay time, setup time, and hold time shows 1/2 cycles from the clock rising edge, that is, the reference of clock falling.

Note 3. These are values when SDRAM (TYPE[2:0] bits = 100b) is selected in the CSn space bus control register (CSnBCR) and high-drive output (B0 bit = 1) is selected in the driving ability control register (DSCR) for CKIO.

Note 4. These are values when high-drive output (B0 bit = 1) and normal output (B0 bit = 0) are respectively selected in the driving ability control register (DSCR) for CKIO.

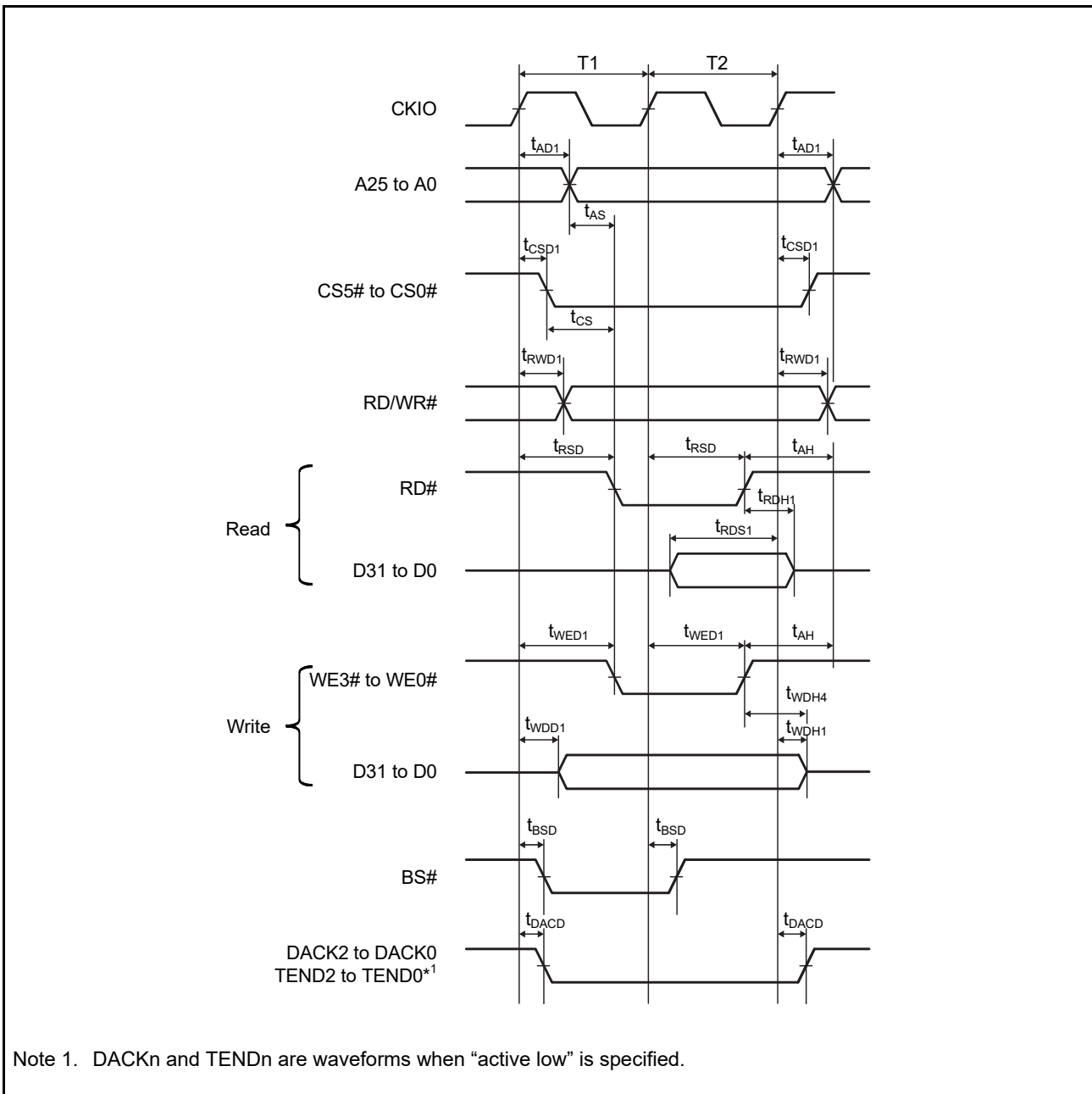


Figure 2.12 SRAM Interface Basic Bus Cycle (No Wait)

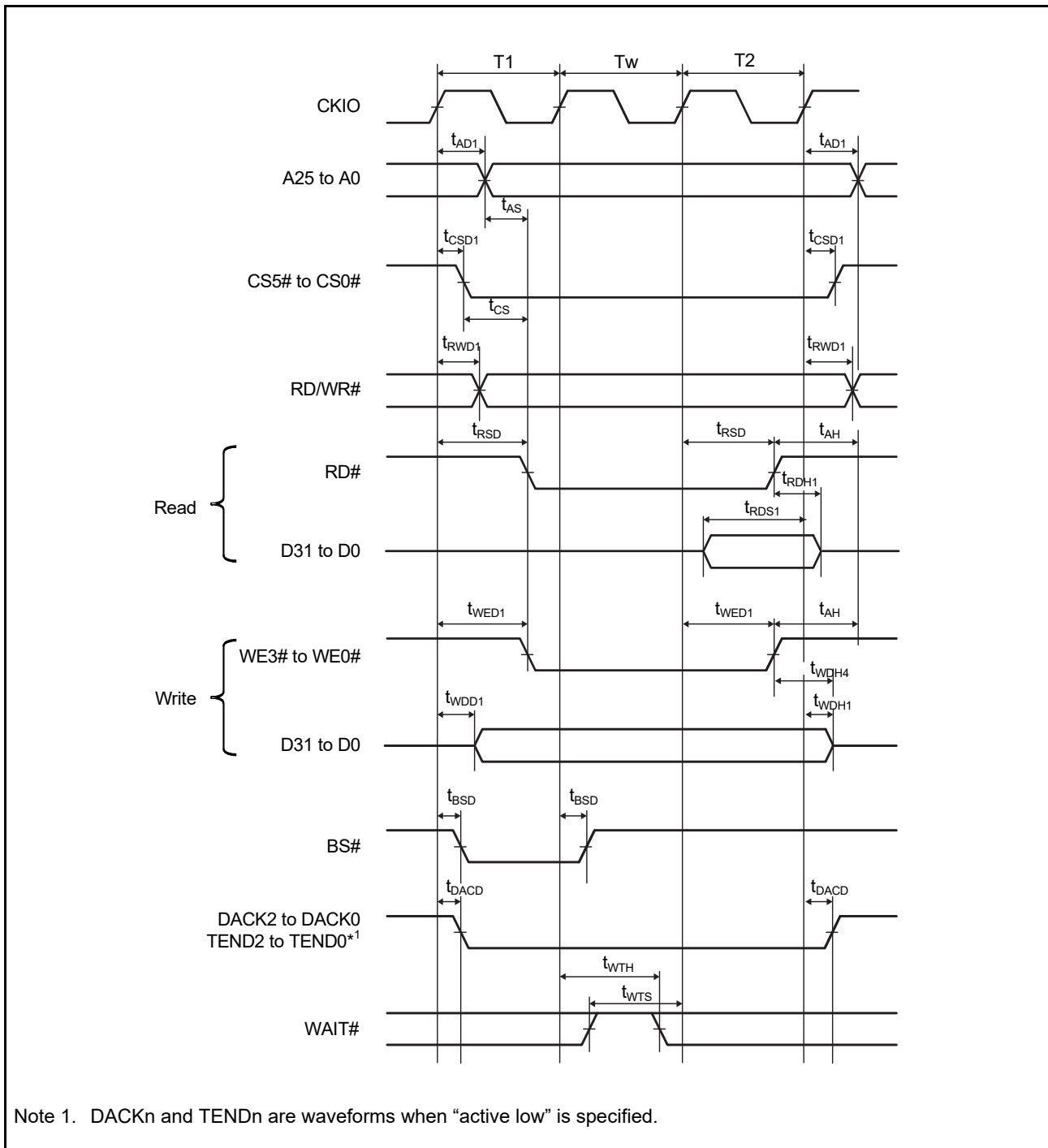


Figure 2.13 SRAM Interface Basic Bus Cycle (Software Wait 1)

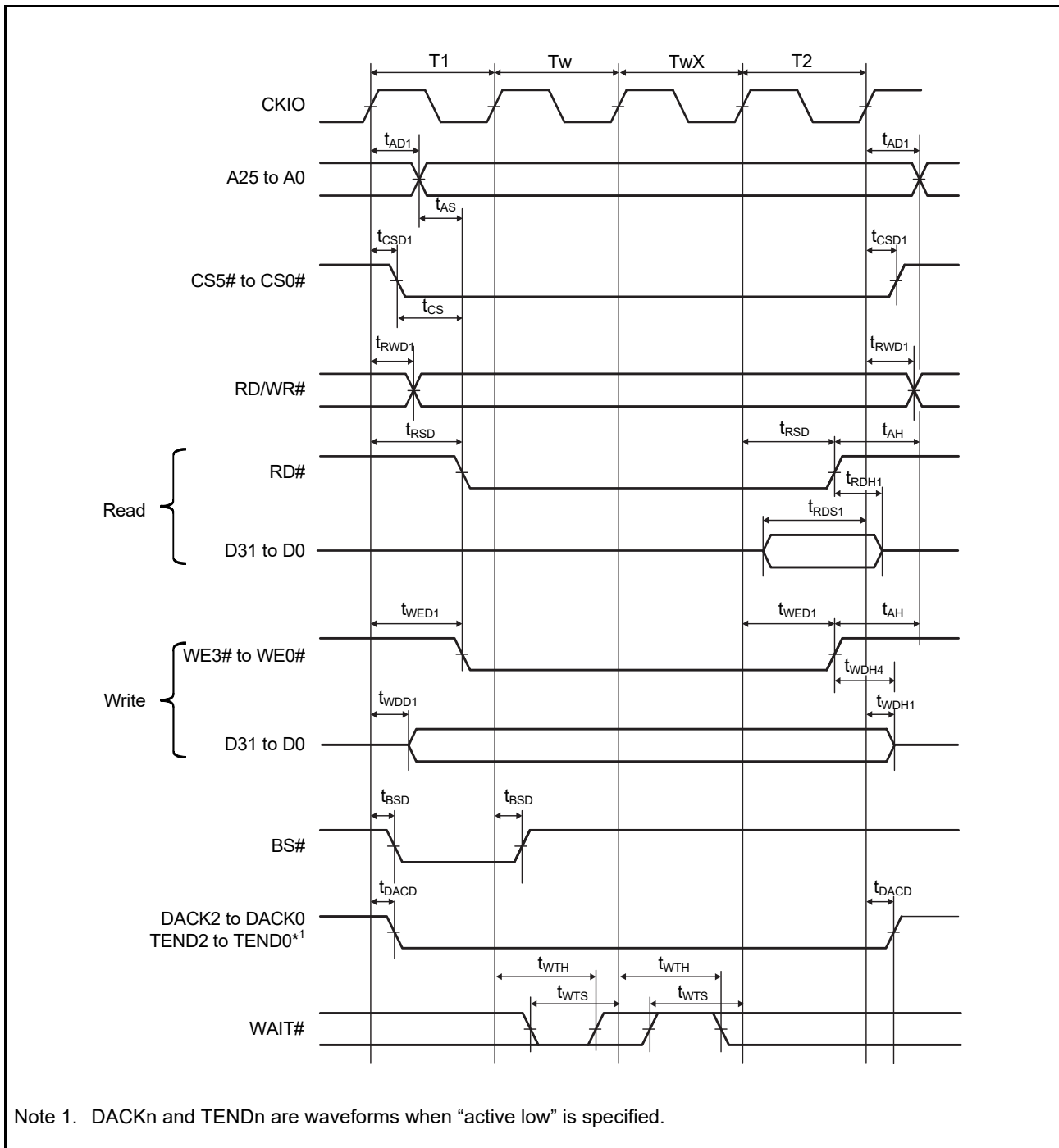


Figure 2.14 SRAM Interface Basic Bus Cycle (Software Wait 1, External Wait 1 Inserted)

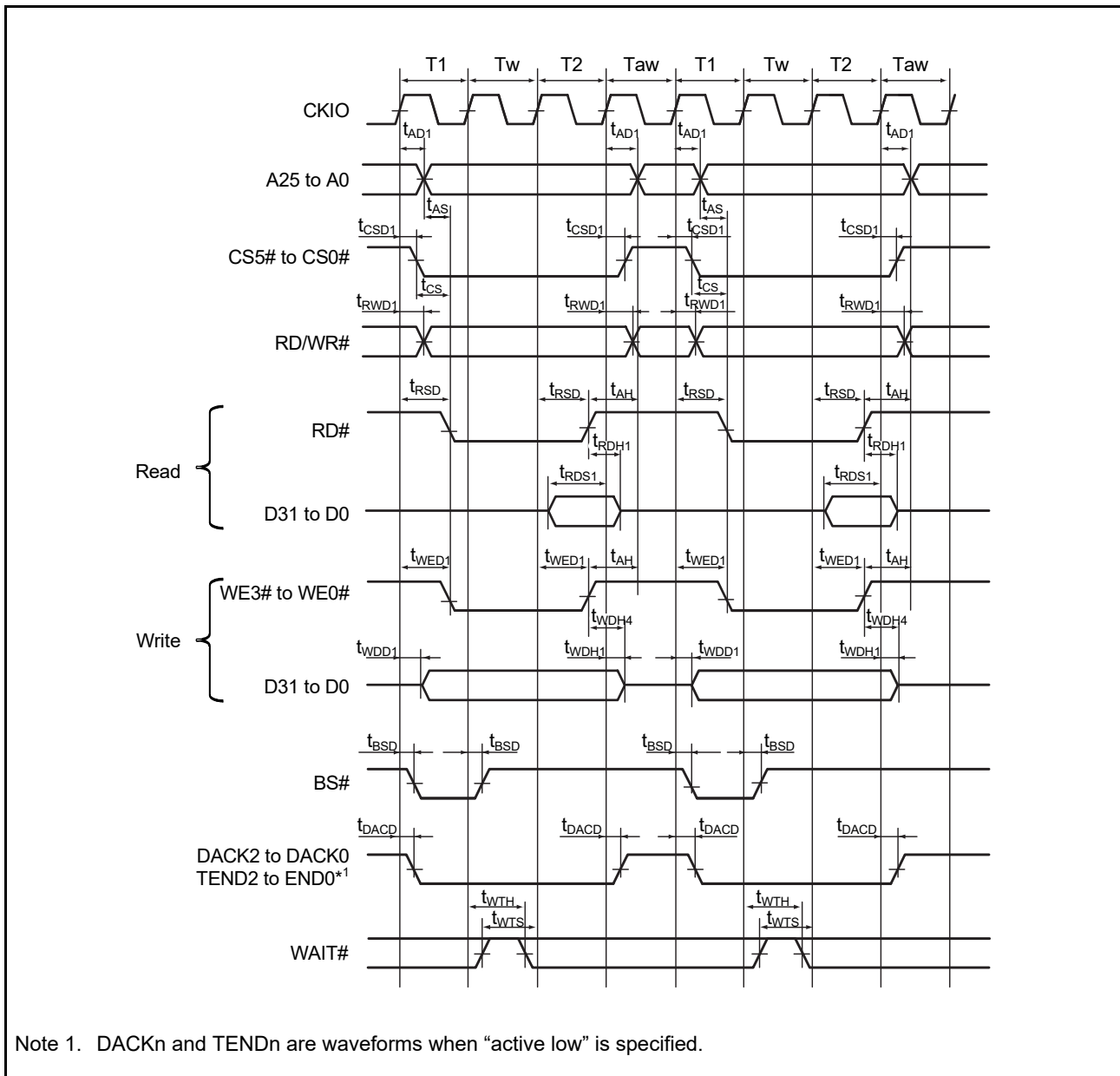


Figure 2.15 SRAM Interface Basic Bus Cycle (Software Wait 1, External wait Enabled (WM Bit = 0), No Idle Cycle)

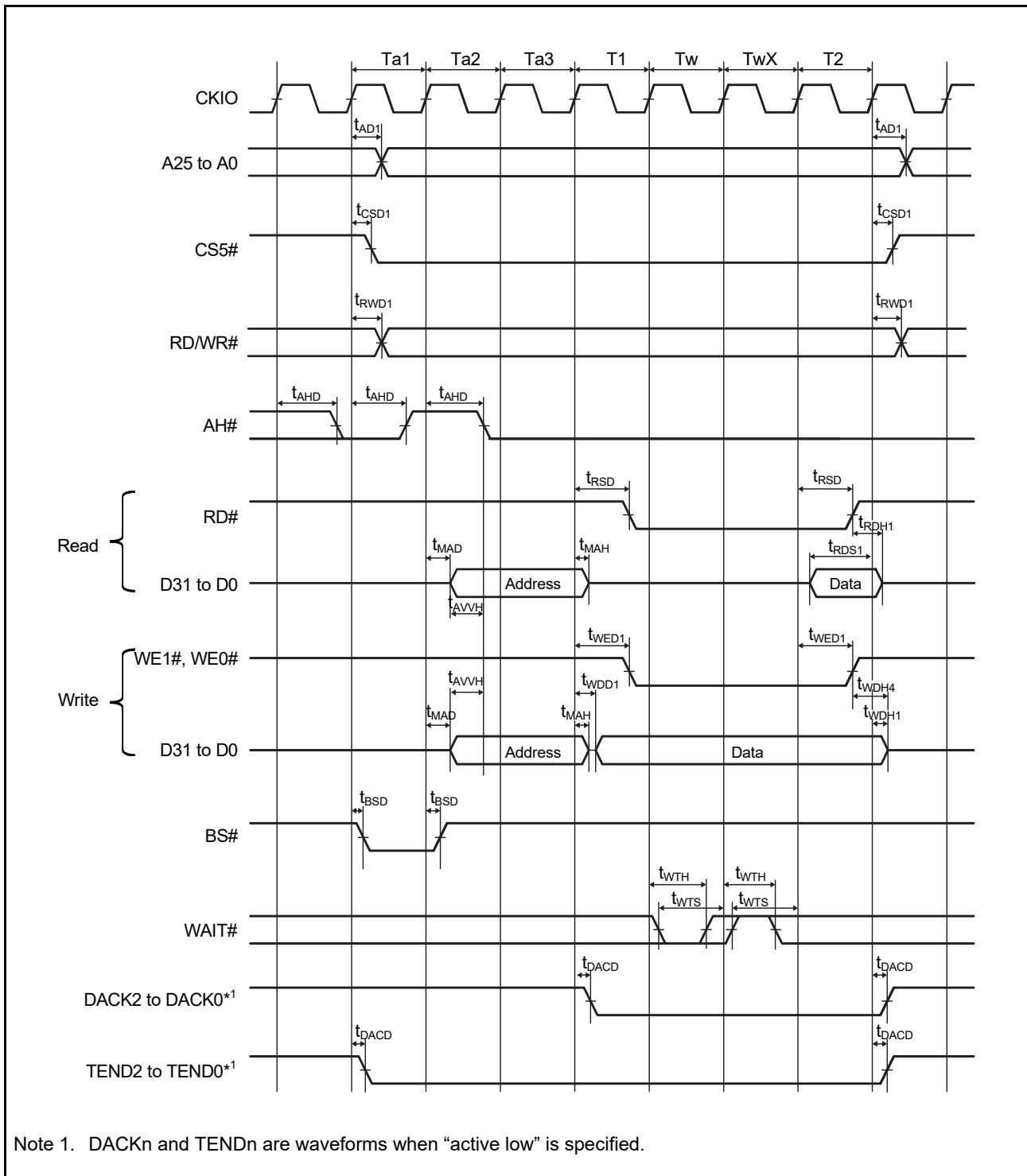


Figure 2.16 MPX-I/O Interface Bus Cycle (Address Cycle 3, Software Wait 1, External Wait 1 Inserted)

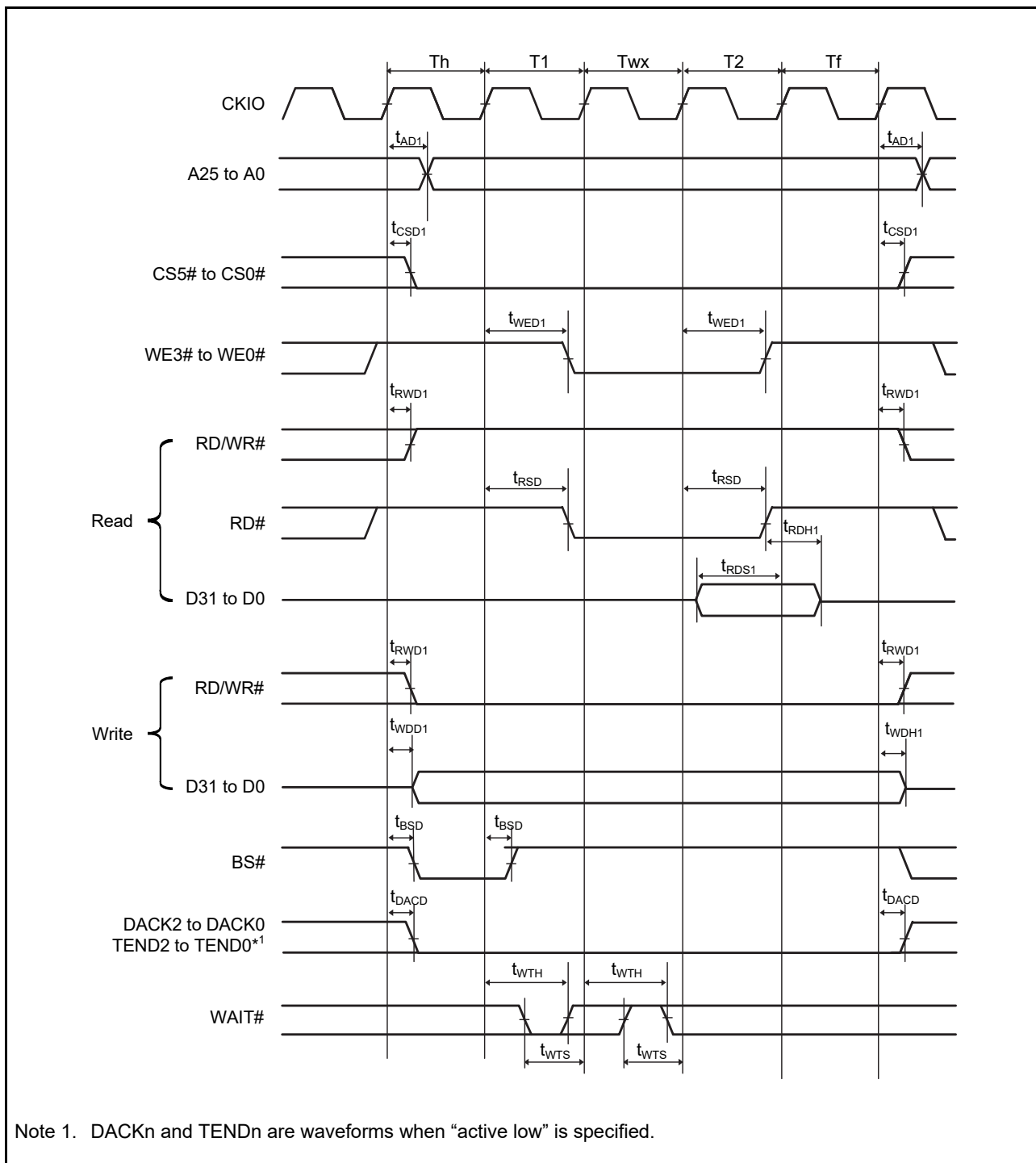


Figure 2.17 SRAM Bus Cycle with Byte Selection (SW = 1 Cycle, HW = 1 Cycle, Asynchronous External Wait 1 Inserted, BAS = 0 (Write Cycle UB/LB Control))

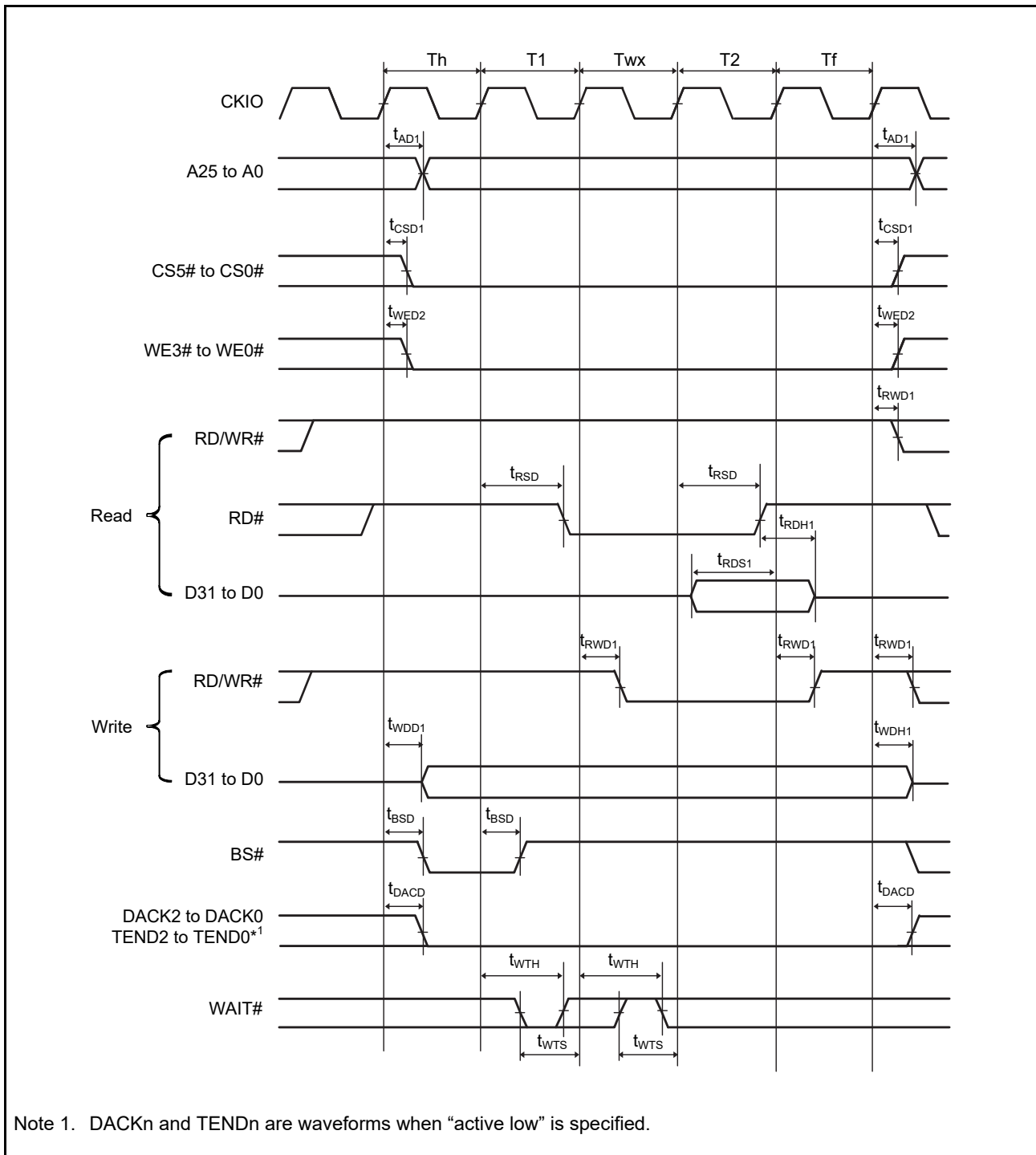


Figure 2.18 SRAM Bus Cycle with Byte Selection (SW = 1 Cycle, HW = 1 Cycle, Asynchronous External Wait 1 Inserted, BAS = 1 (Write Cycle WE Control))

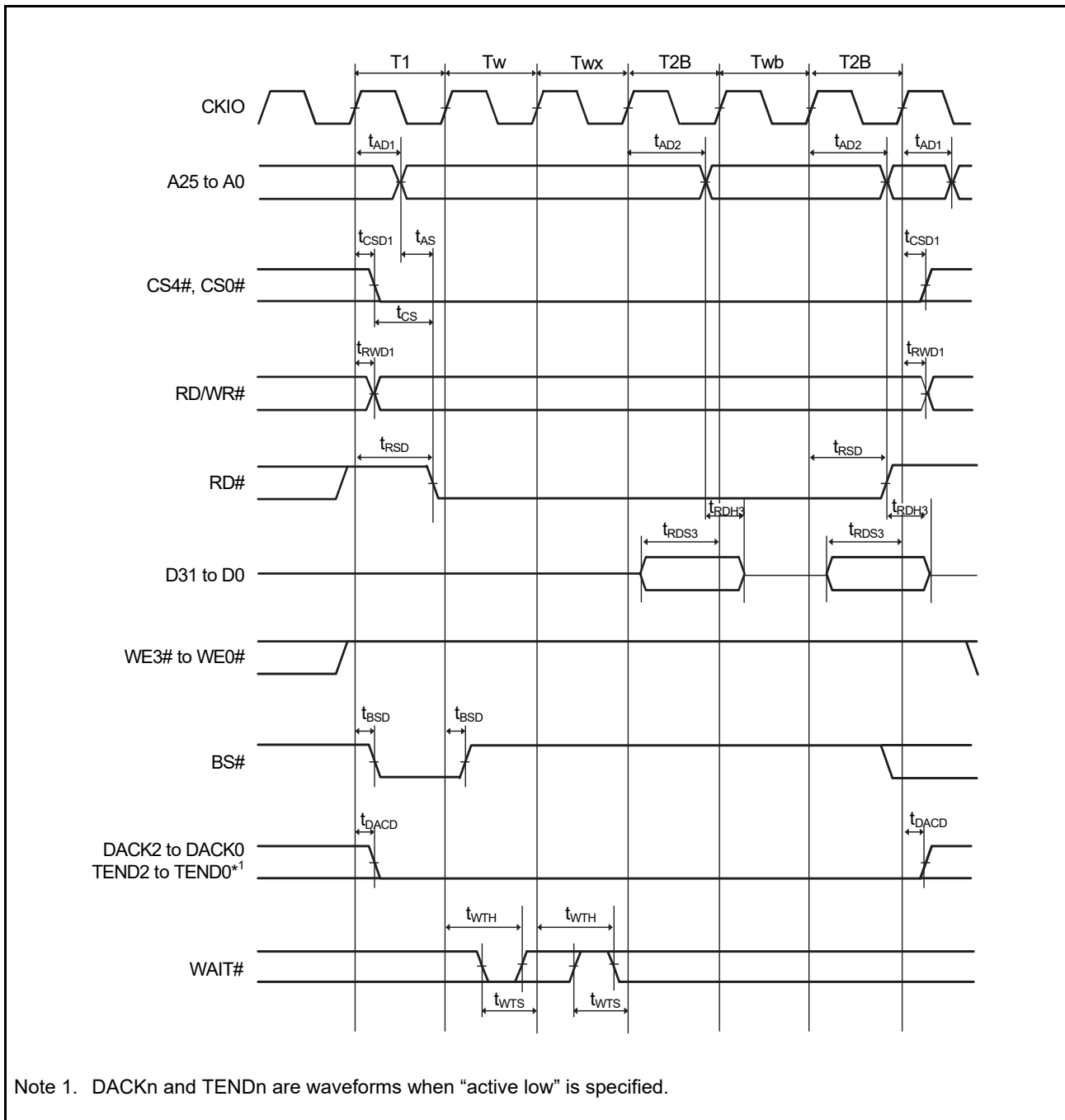


Figure 2.19 Burst ROM Read Cycle (Software Wait 1, Asynchronous External Wait 1 Inserted, Burst Wait 1, 2)

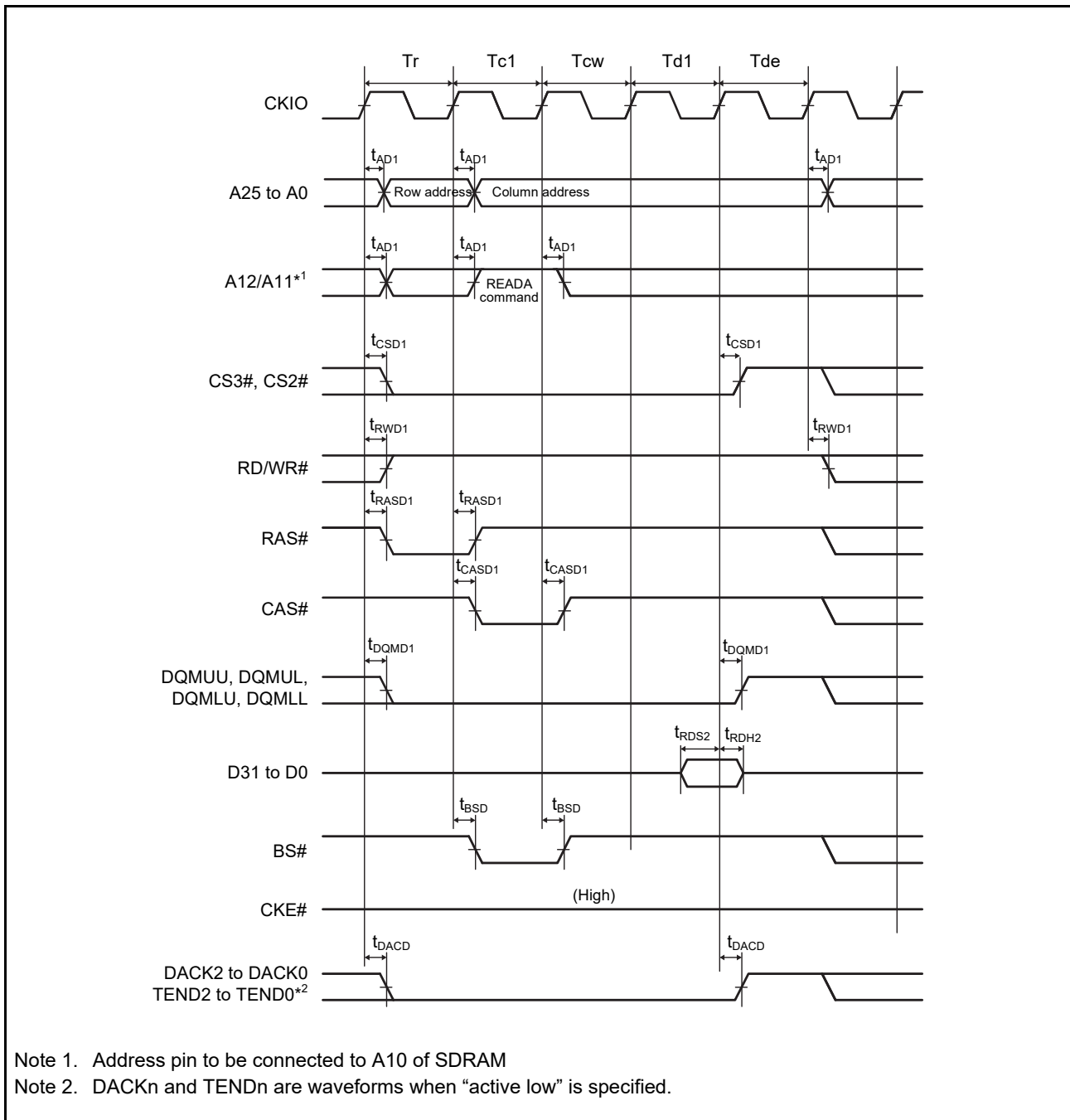


Figure 2.20 Synchronous DRAM Single-Read Bus Cycle (with Auto Precharge, CAS Latency 2, WTRCD = 0 Cycles, WTRP = 0 Cycles)

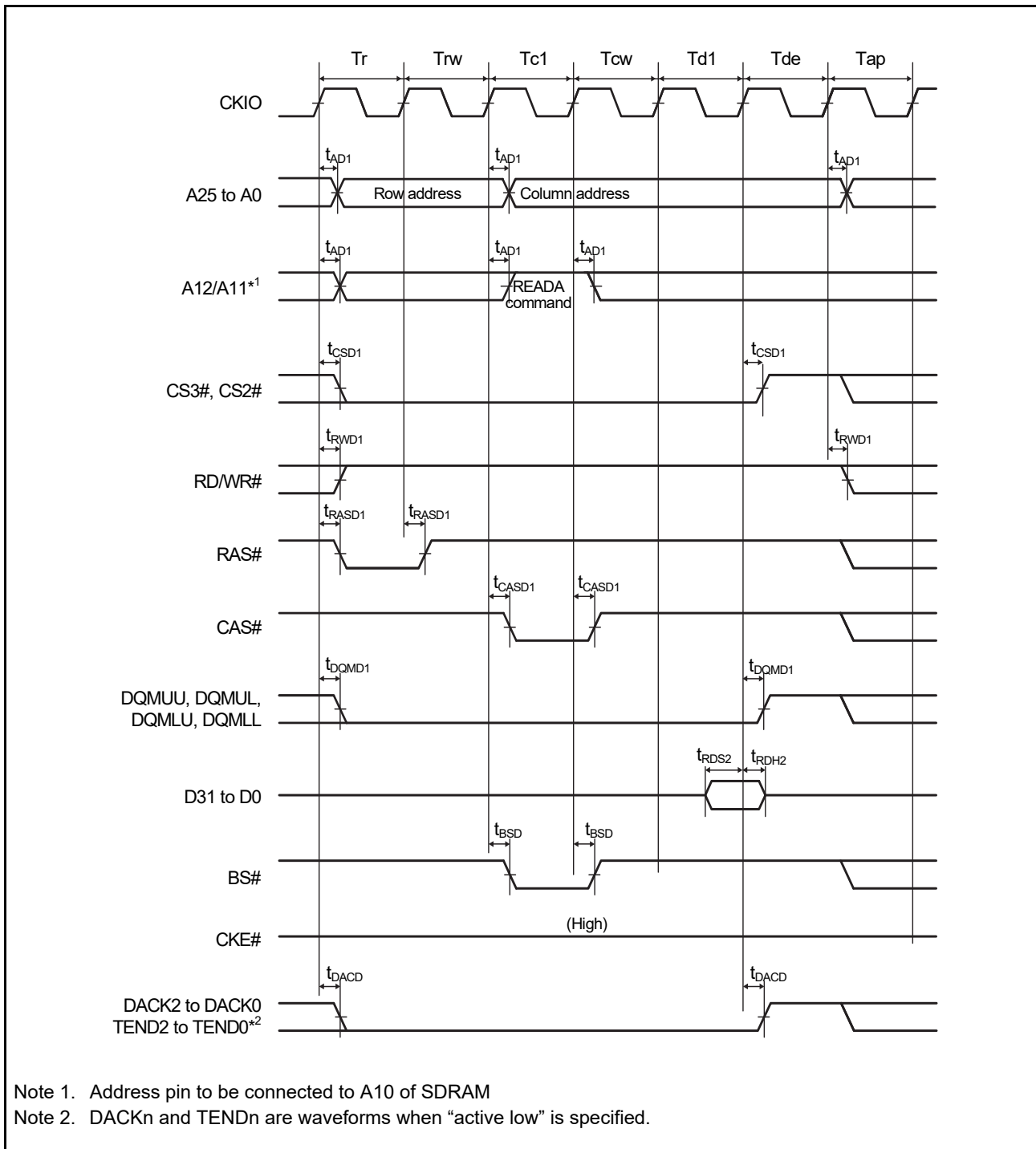


Figure 2.21 Synchronous DRAM Single-Read Bus Cycle (with Auto Precharge, CAS Latency 2, WTRCD = 1 Cycle, WTRP = 1 Cycle)

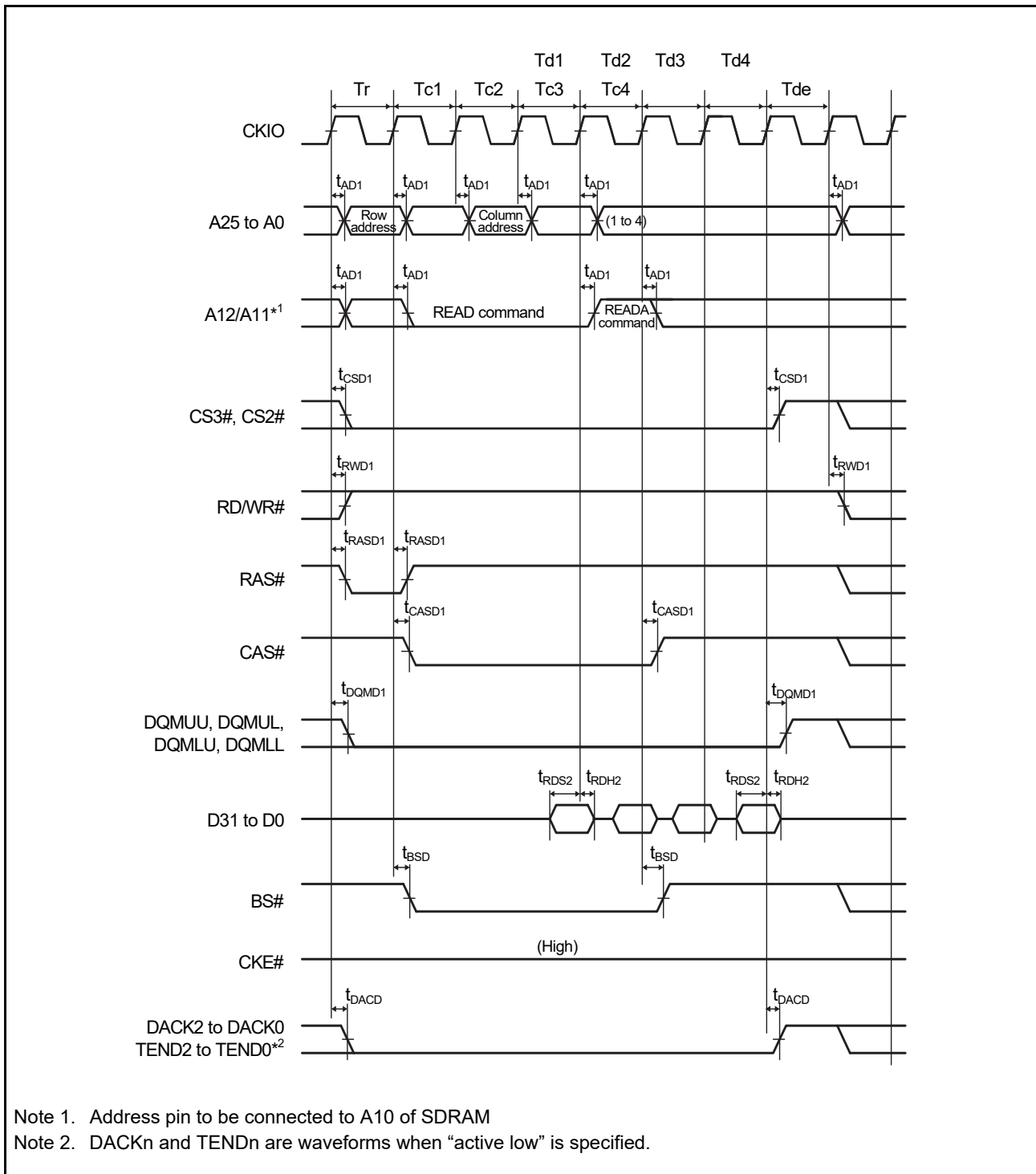


Figure 2.22 Synchronous DRAM Burst-Read Bus Cycle (Read for 4 Cycles) (with Auto Precharge, CAS Latency 2, WTRCD = 0 Cycles, WTRP = 1 Cycle)

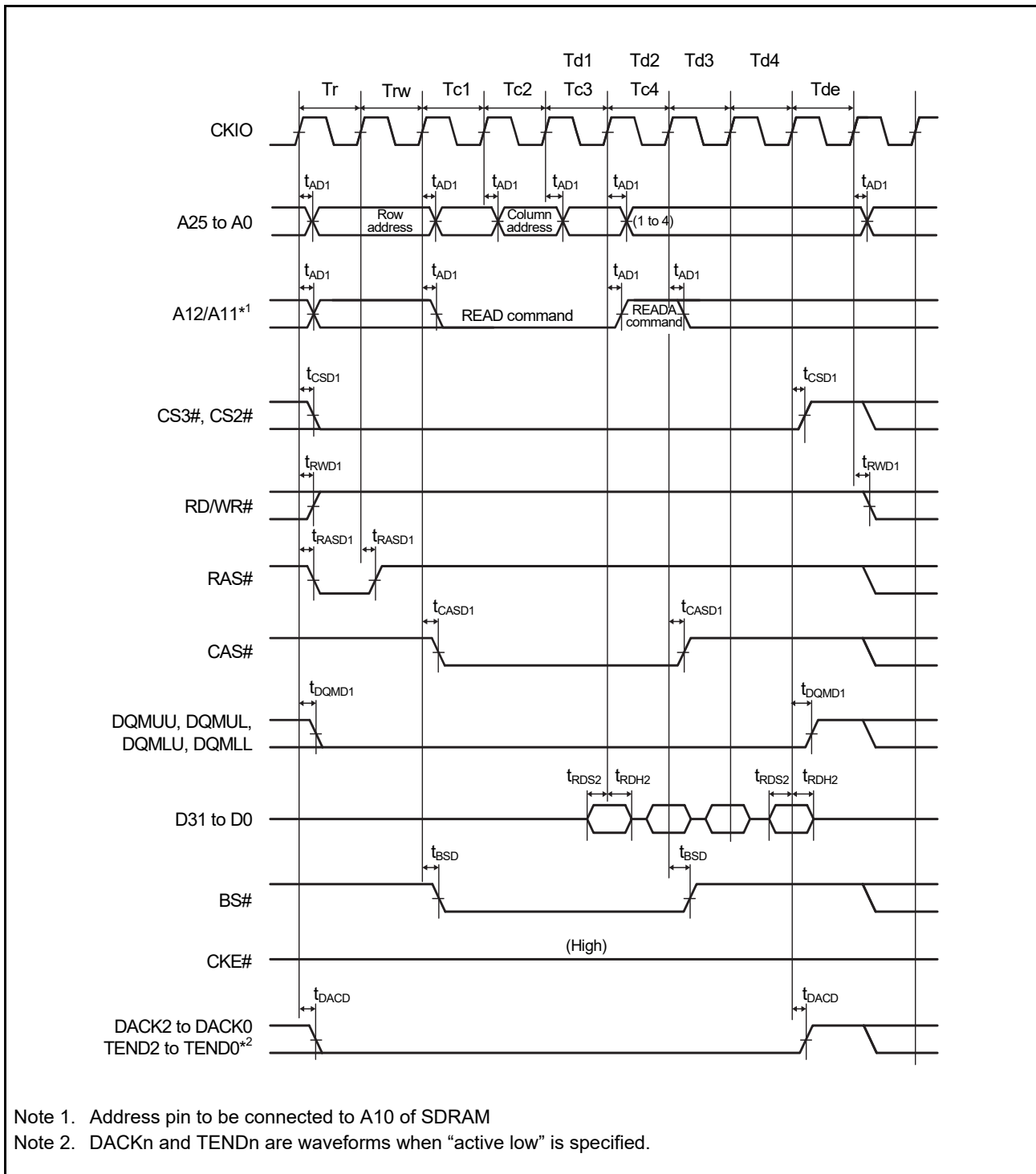


Figure 2.23 Synchronous DRAM Burst-Read Bus Cycle (Read for 4 Cycles) (with Auto Precharge, CAS Latency 2, WTRCD = 1 Cycle, WTRP = 0 Cycles)

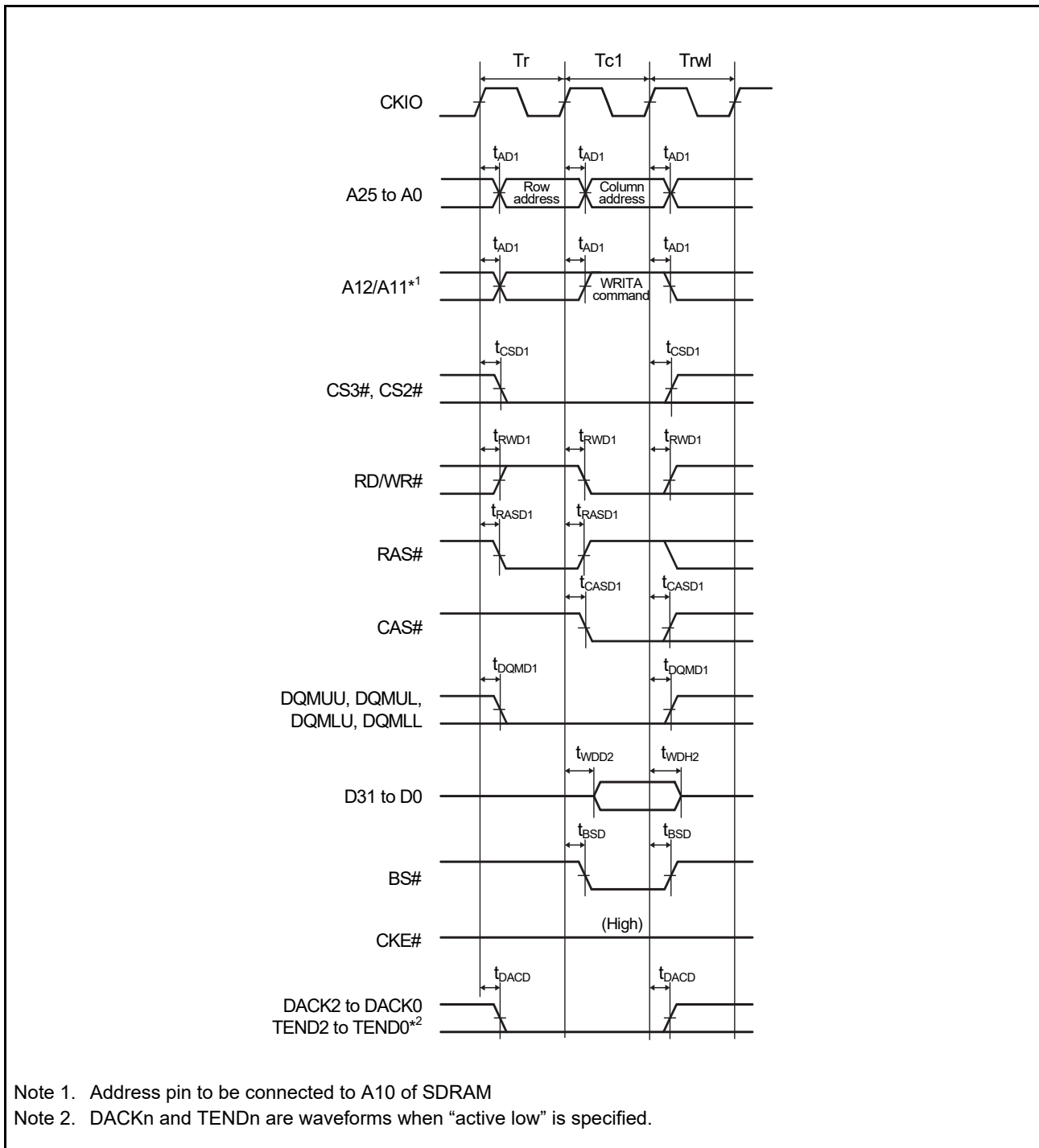


Figure 2.24 Synchronous DRAM Single-Write Bus Cycle (with Auto Precharge, TRWL = 1 Cycle)

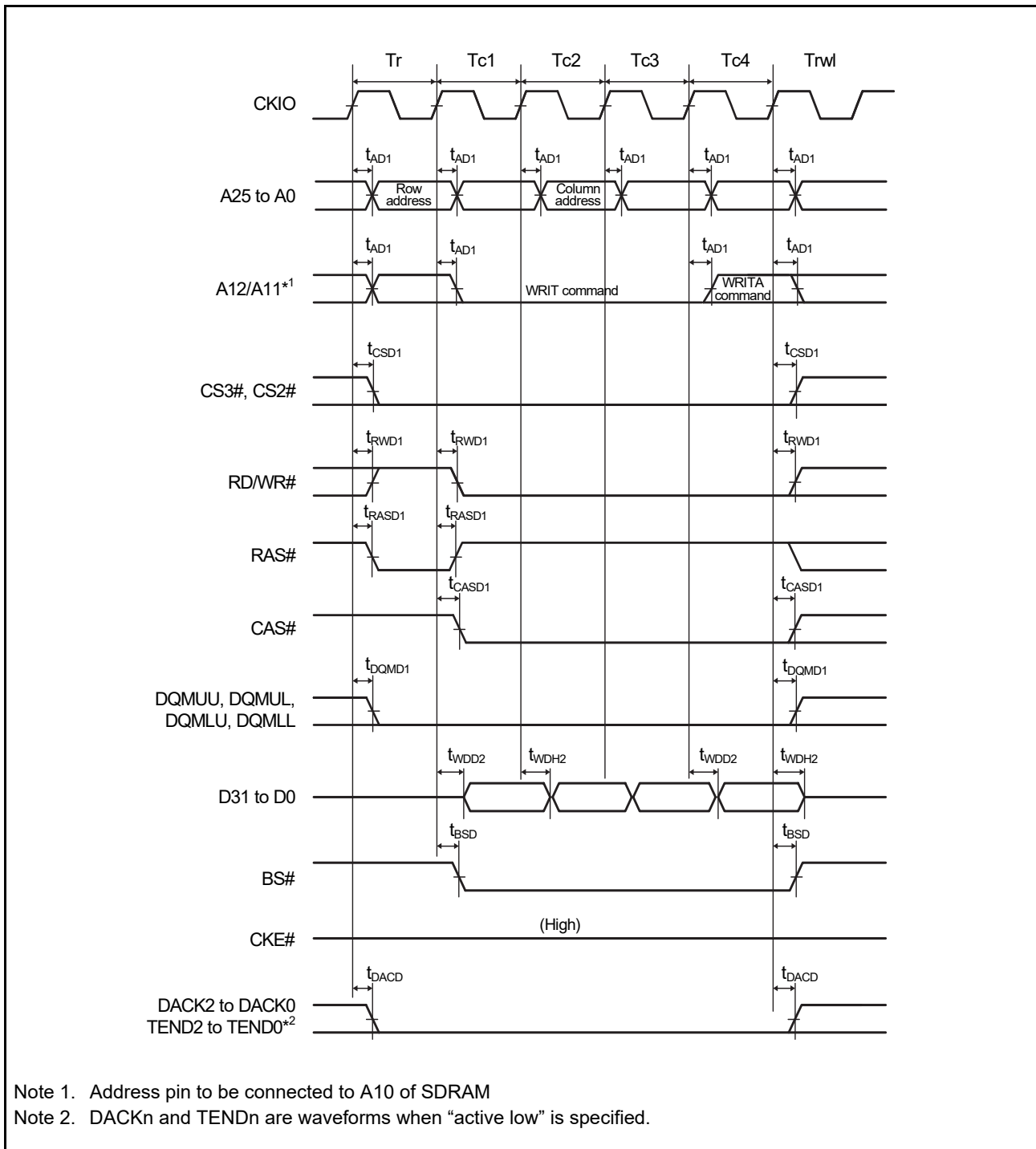


Figure 2.26 Synchronous DRAM Burst-Write Bus Cycle (Write for 4 Cycles) (with Auto Precharge, WTRCD = 0 Cycles, TRWL = 1 Cycle)

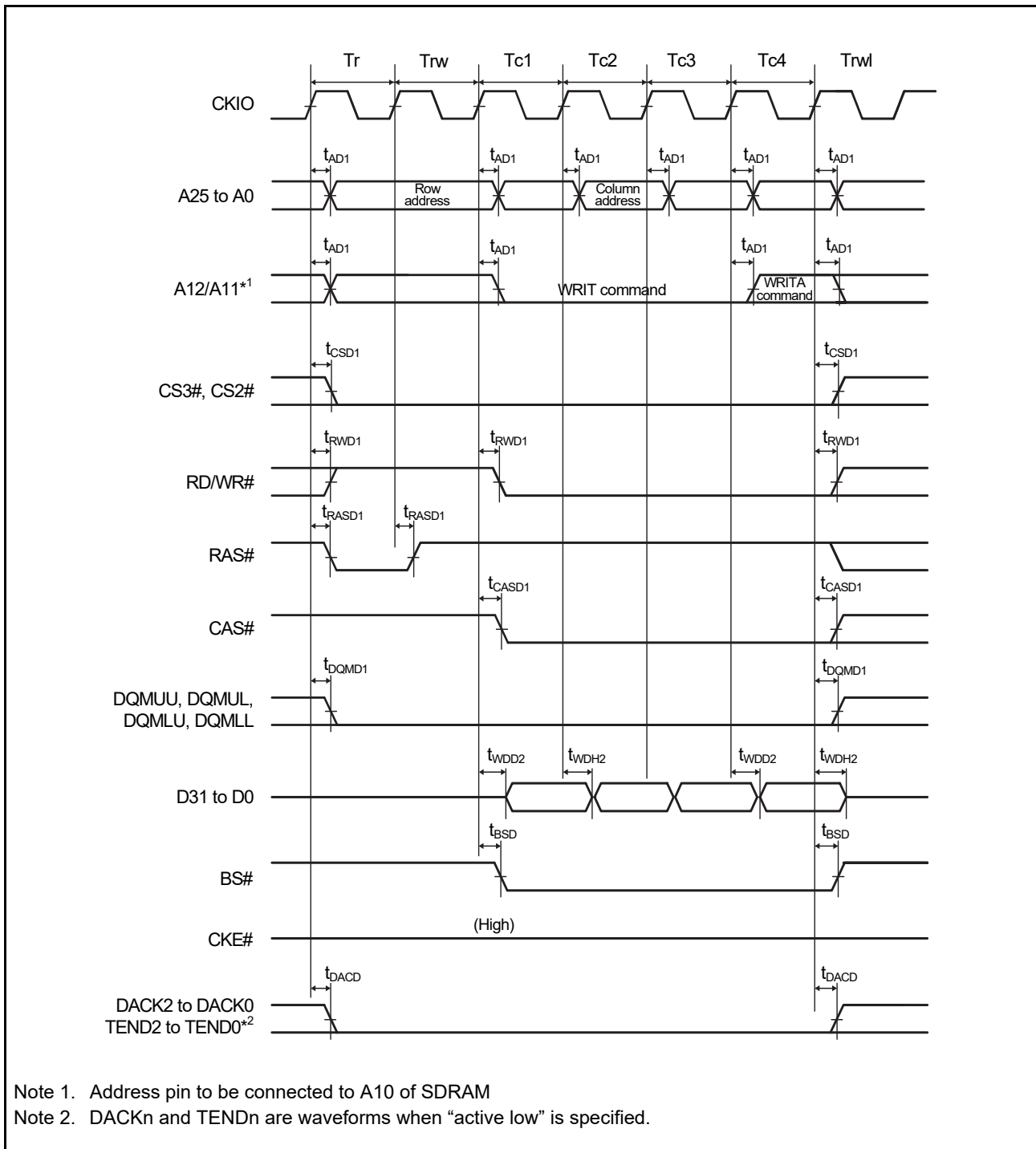


Figure 2.27 Synchronous DRAM Burst-Write Bus Cycle (Write for 4 Cycles) (with Auto Precharge, WTRCD = 1 Cycle, TRWL = 1 Cycle)

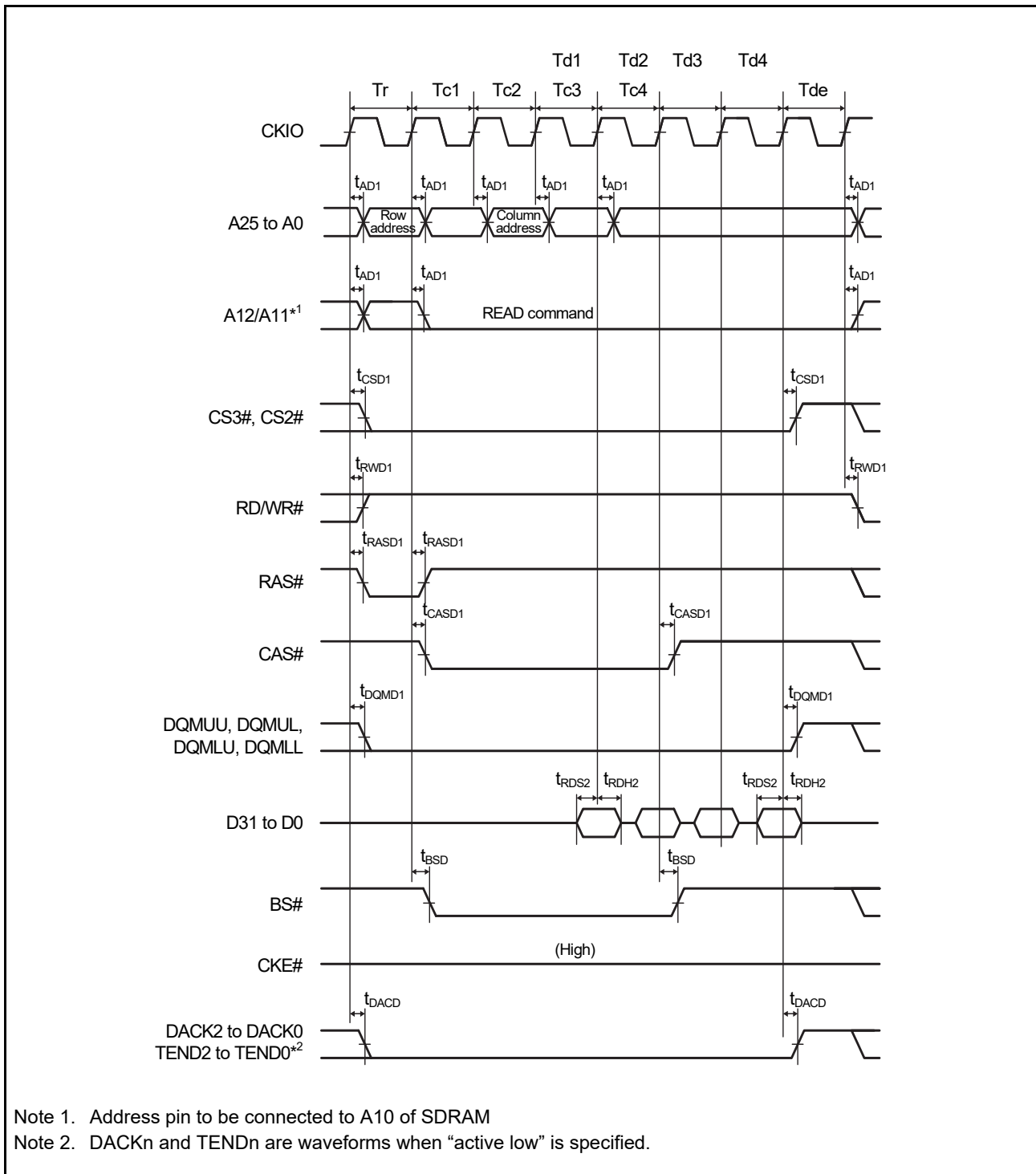


Figure 2.28 Synchronous DRAM Burst-Read Bus Cycle (Read for 4 Cycles) (Bank Active Mode: ACT + READ Command, CAS Latency 2, WTRCD = 0 Cycles)

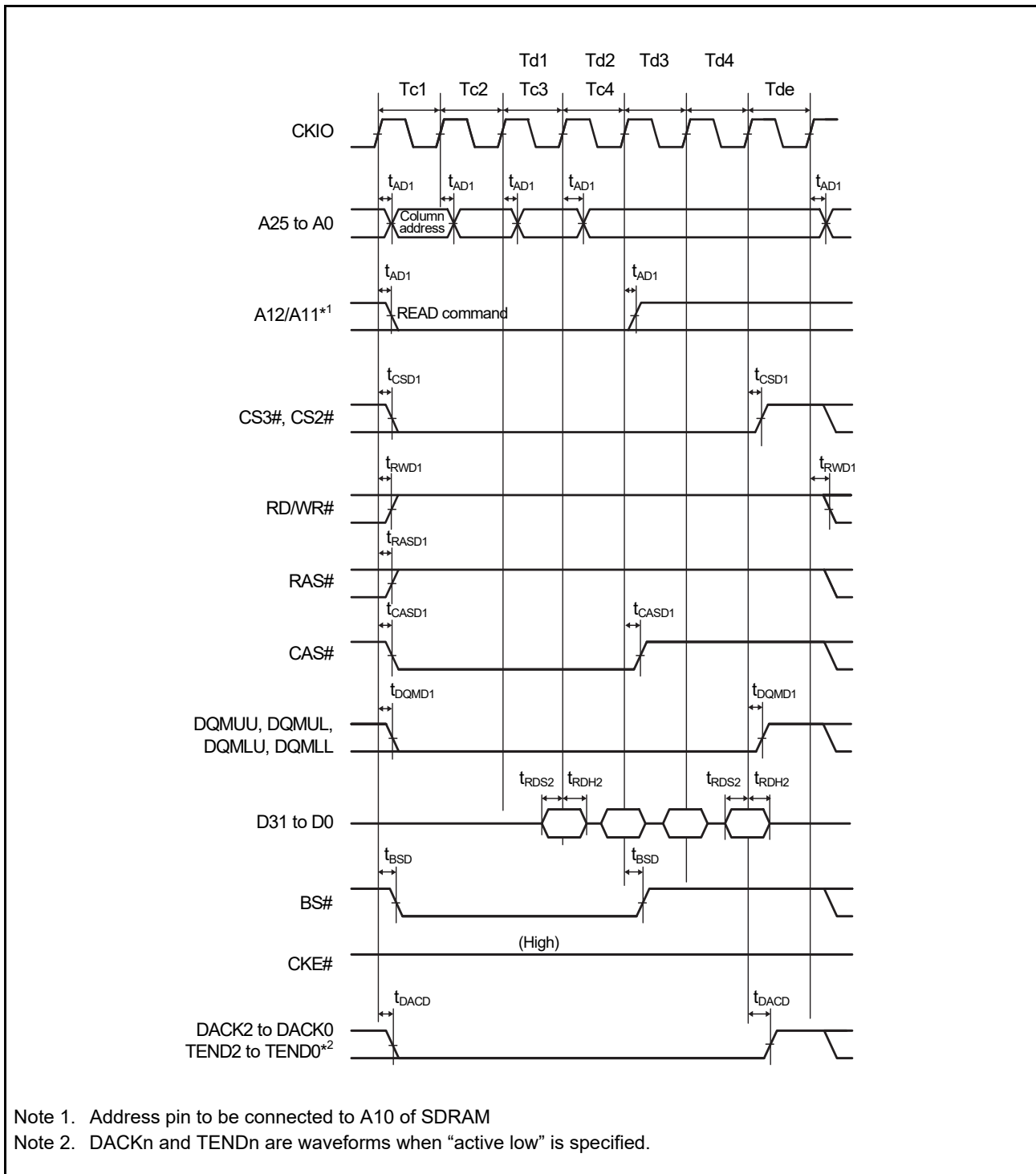


Figure 2.29 Synchronous DRAM Burst-Read Bus Cycle (Read for 4 Cycles) (Bank Active Mode: READ Command, Same Row Address, CAS Latency 2, WTRCD = 0 Cycles)

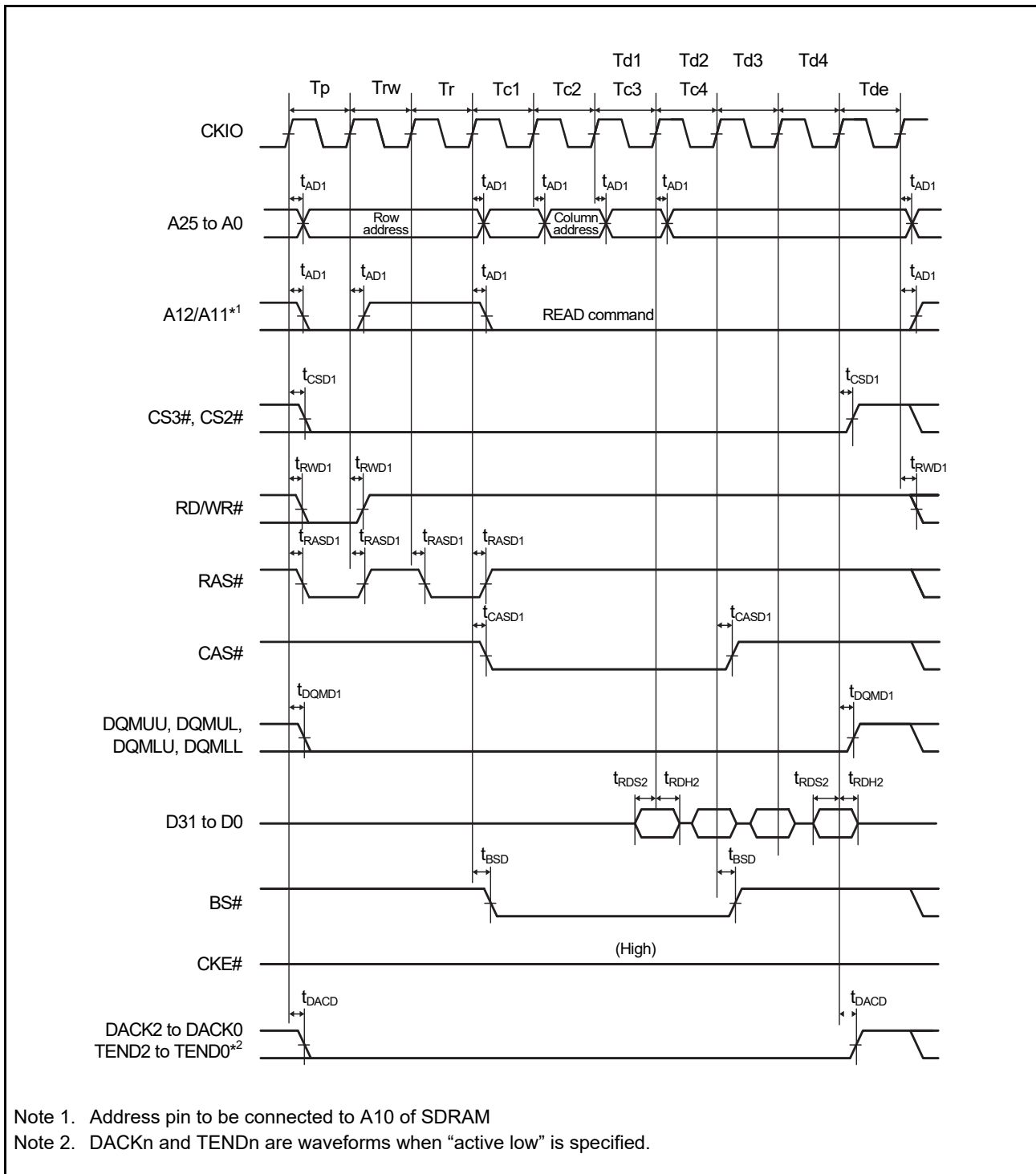


Figure 2.30 Synchronous DRAM Burst-Read Bus Cycle (Read for 4 Cycles) (Bank Active Mode: PRE + ACT + READ Command, Different Row Address, CAS Latency 2, WTRCD = 0 Cycles)

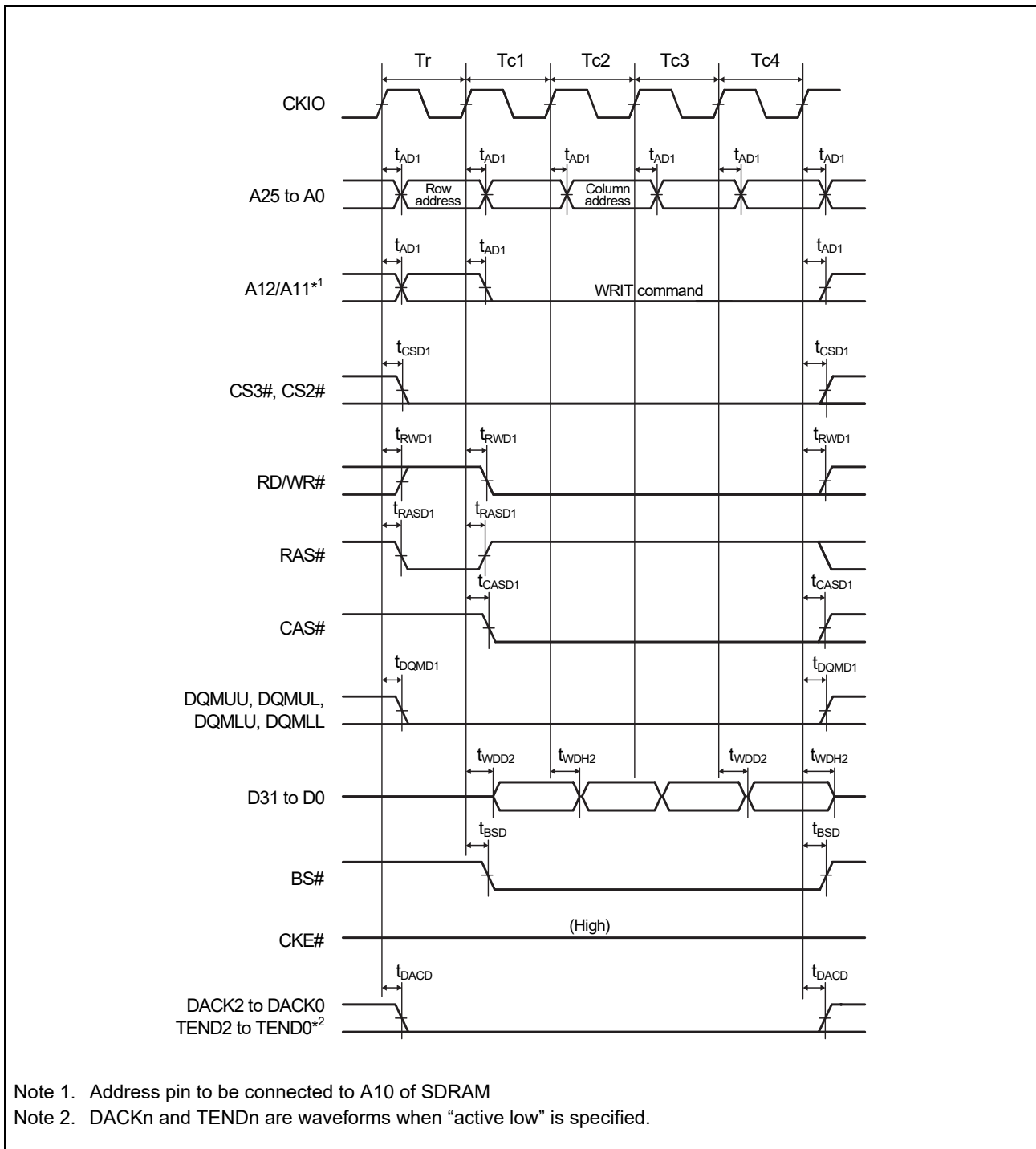


Figure 2.31 Synchronous DRAM Burst-Write Bus Cycle (Write for 4 Cycles) (Bank Active Mode: ACT + WRITE Command, WTRCD = 0 Cycles, TRWL = 0 Cycles)

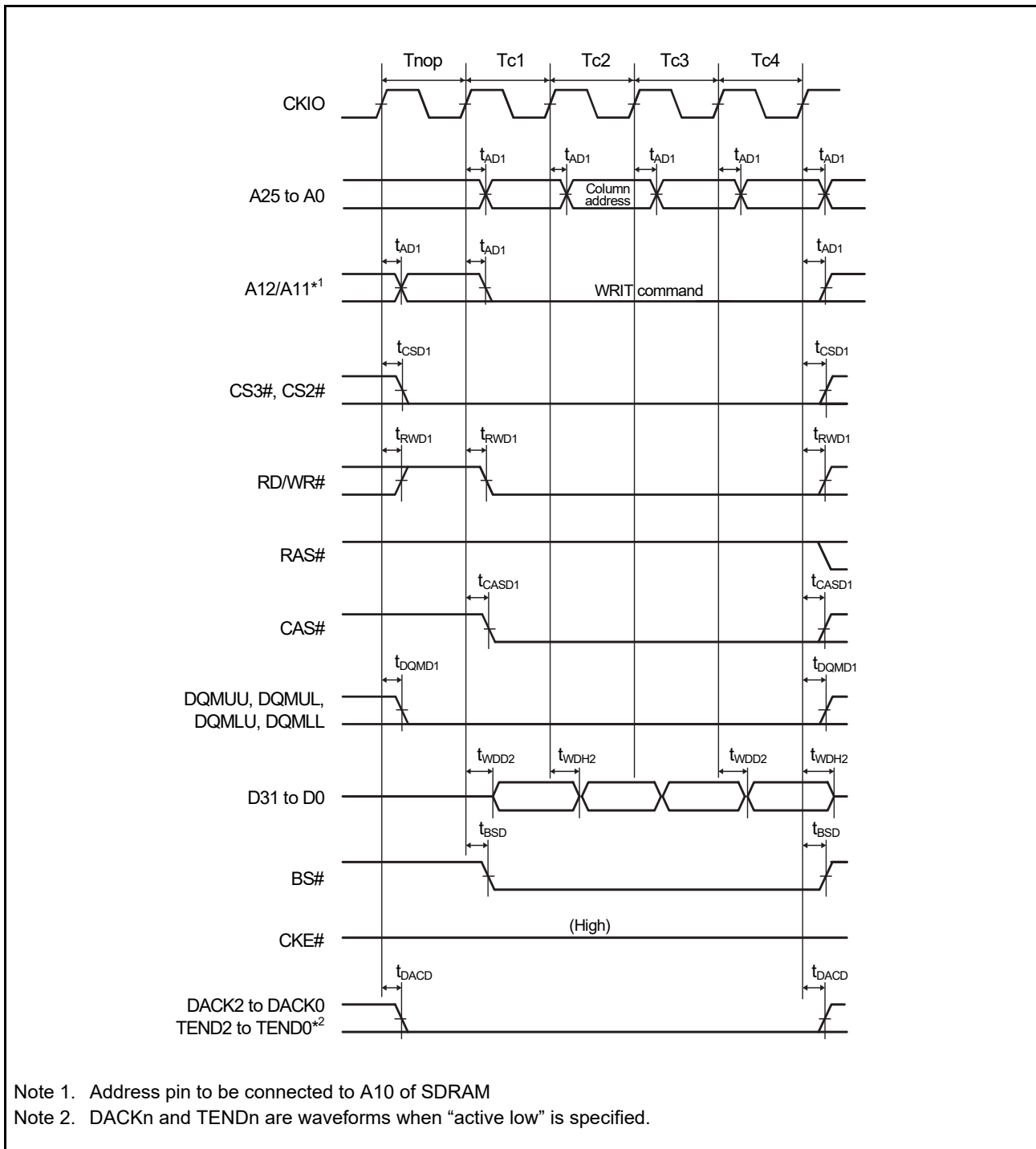


Figure 2.32 Synchronous DRAM Burst-Write Bus Cycle (Write for 4 Cycles) (Bank Active Mode: WRITE Command, Same Row Address, WTRCD = 0 Cycles, TRWL = 0 Cycles)

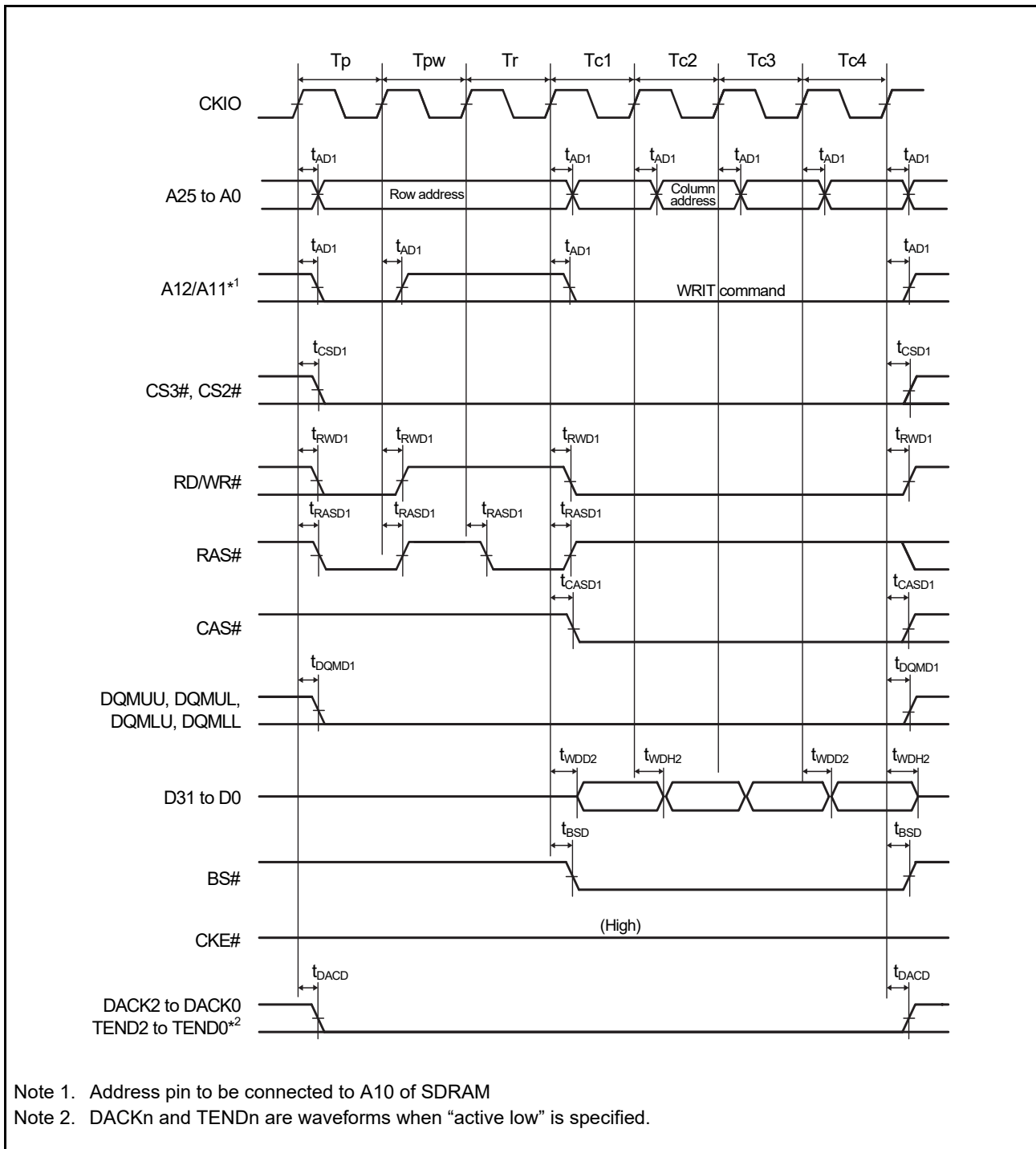


Figure 2.33 Synchronous DRAM Burst-Write Bus Cycle (Write for 4 Cycles) (Bank Active Mode: PRE + ACT + WRITE Command, Different Row Address, WTRCD = 0 Cycles, TRWL = 0 Cycles)

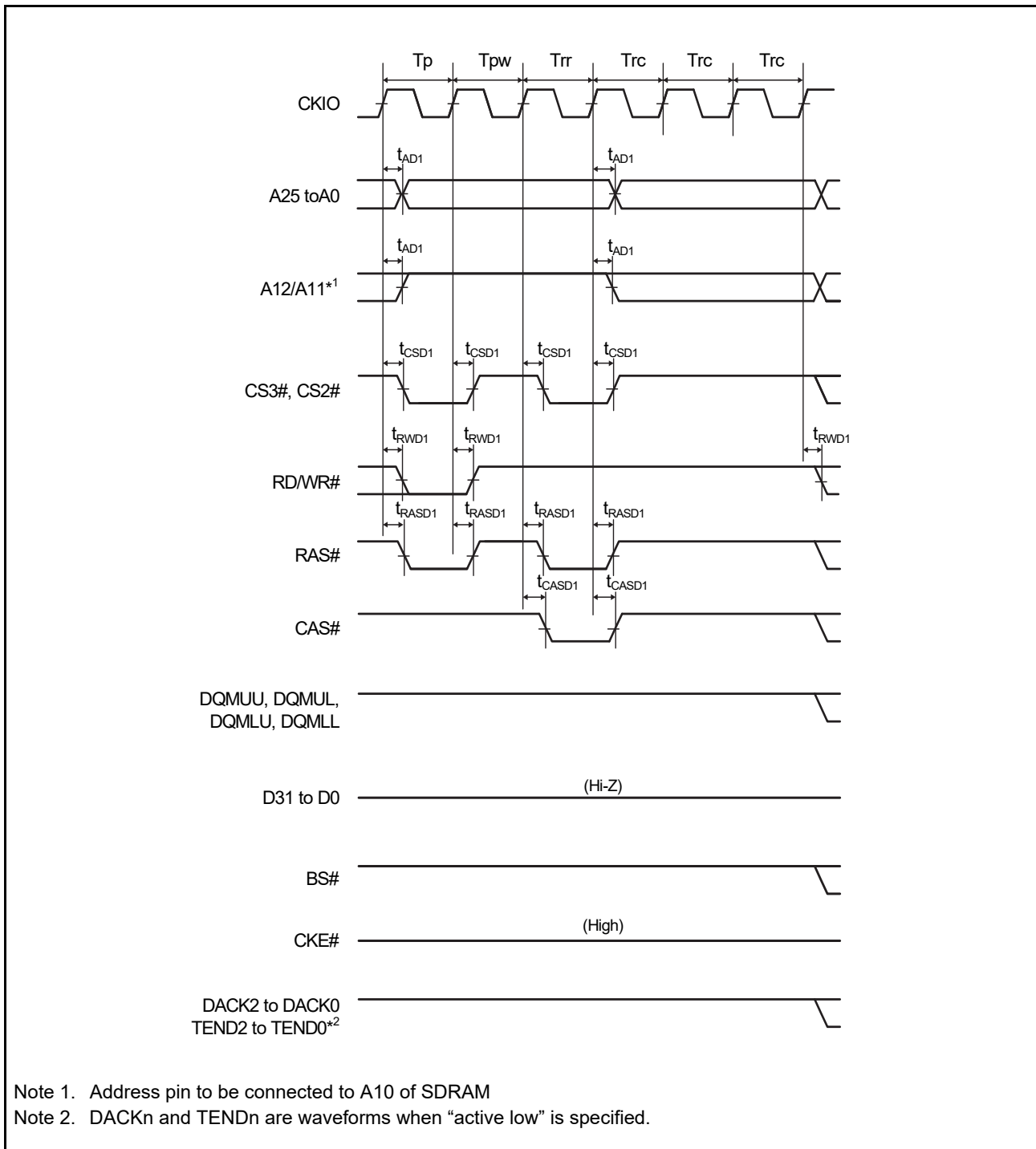


Figure 2.34 Synchronous DRAM Auto-Refresh Timing (WTRP = 1 Cycle, WTRC = 3 Cycles)

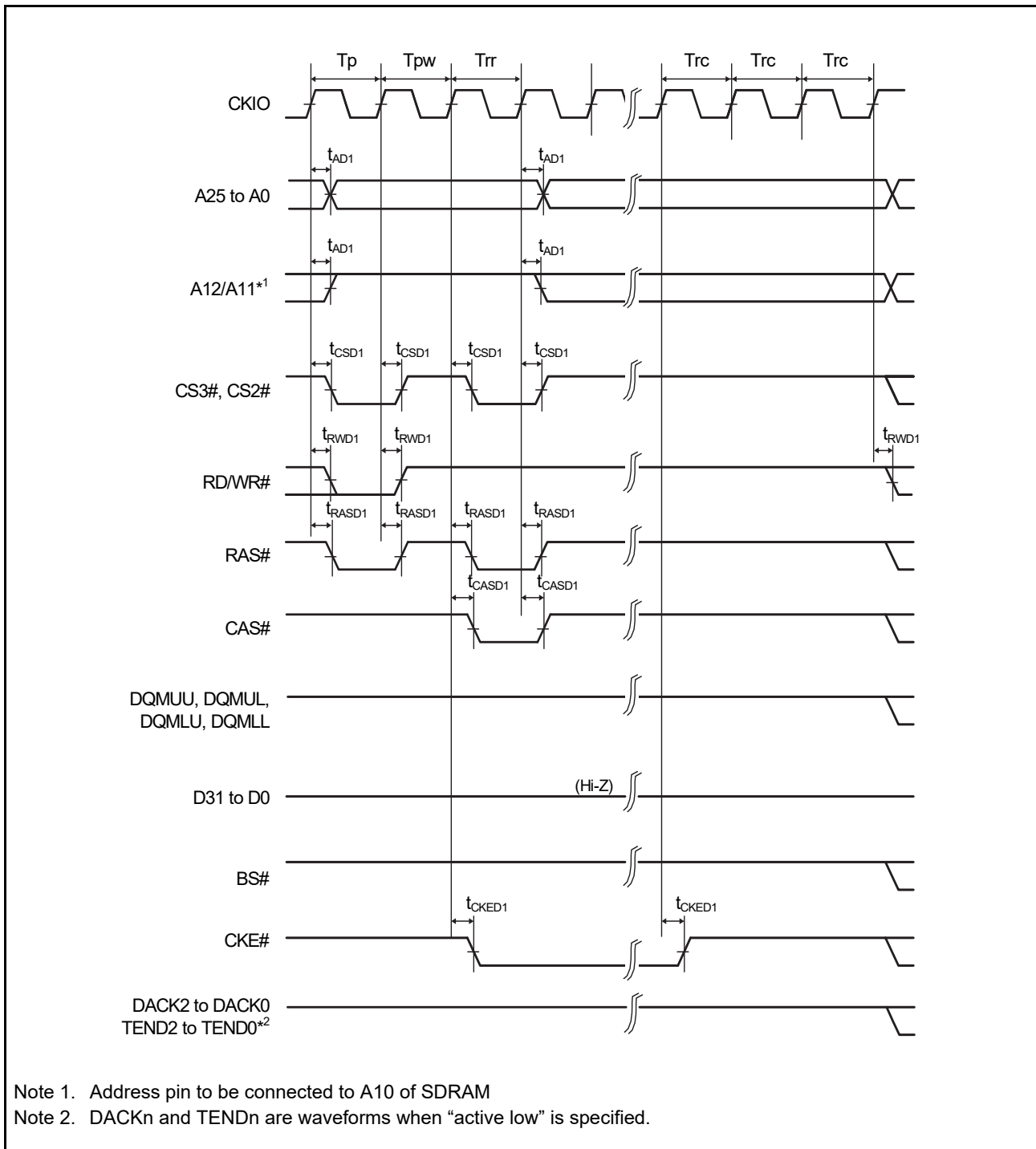


Figure 2.35 Synchronous DRAM Self-Refresh Timing (WTRP = 1 Cycle)

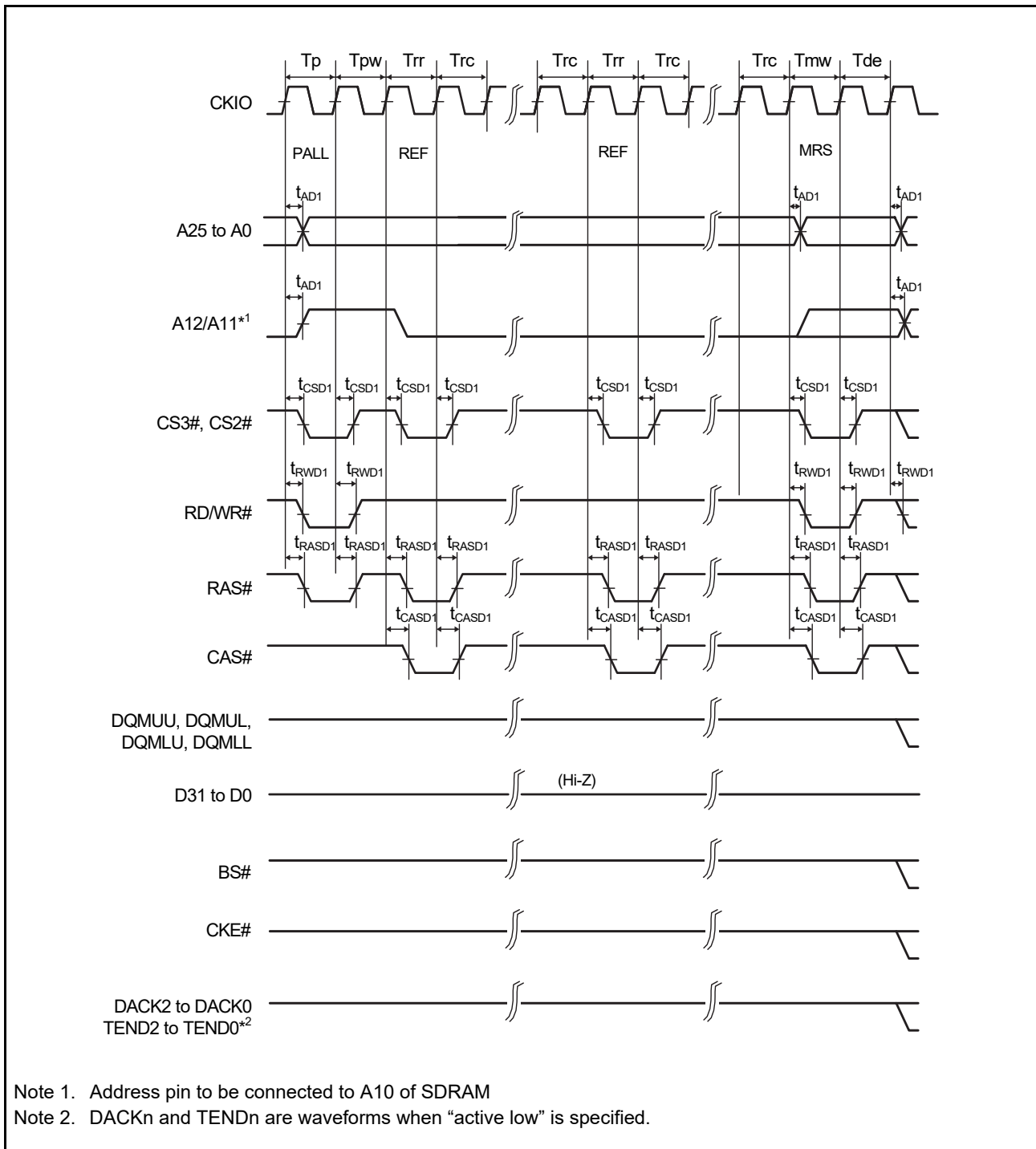


Figure 2.36 Synchronous DRAM Mode Register Write Timing (WTRP = 1 Cycle)

2.4.4 DMAC Timing

Table 2.18 DMAC Timing

Output load conditions: $V_{OH} = V_{CCQ33} \times 0.5$, $V_{OL1} = V_{CCQ33} \times 0.5$, $C = 30 \text{ pF}$

| Item | Symbol | min ^{*1} | max | Unit | Test Conditions |
|------|--------------------------|-------------------|----------------------|------|-----------------|
| DMAC | DREQ pulse width | t_{DRQW} | $t_{PBcyc} \times 2$ | ns | Figure 2.37 |
| | DACK and TEND delay time | t_{DACD} | 0 | 10 | ns |

Note 1. t_{PBcyc} : PCLKB cycle

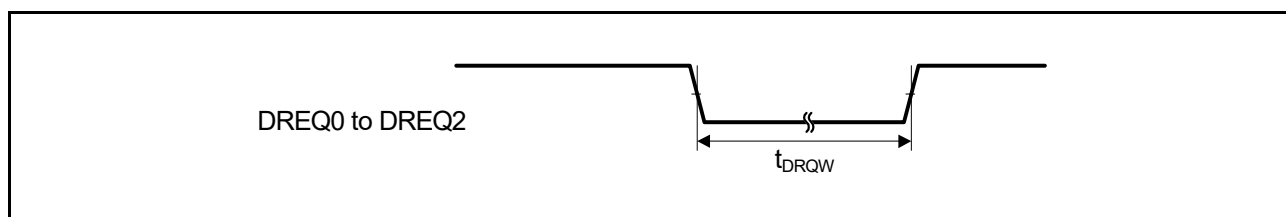


Figure 2.37 DREQ Input Timing

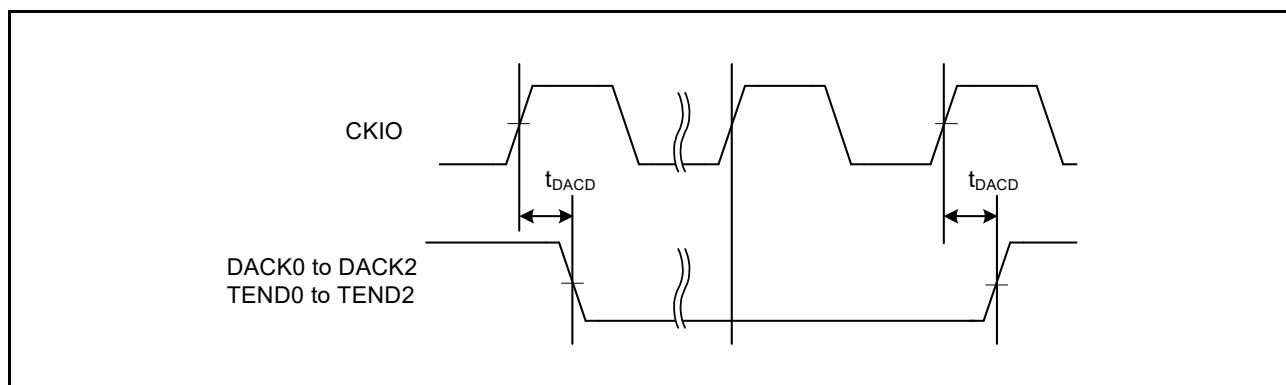


Figure 2.38 DACK and TEND Output Timing

2.4.5 On-Chip Peripheral Module Timing

2.4.5.1 I/O Port Timing

Table 2.19 I/O Port Timing

| Item | | Symbol | min | max | Unit*1 | Test Conditions |
|----------|------------------------|-----------|-----|-----|-------------|-----------------|
| I/O port | Input data pulse width | t_{PRW} | 1.5 | — | t_{PBcyc} | Figure 2.39 |

Note 1. t_{PBcyc} : PCLKB cycle

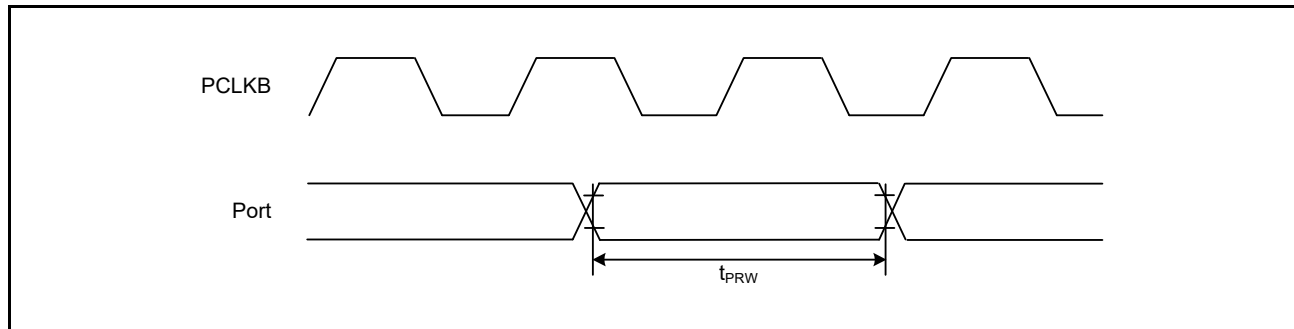


Figure 2.39 I/O Port Input Timing

2.4.5.2 TPUa Timing

Table 2.20 TPUa Timing

| Item | | Symbol | min | max | Unit*1 | Test Conditions |
|-------------------------|---------------------------------|---------------------|------------|-----|-------------------------|-------------------------|
| TPUa | Input capture input pulse width | Single-edge setting | t_{TICW} | 1.5 | — | t_{PDcyc} Figure 2.40 |
| | | Both-edge setting | | 2.5 | — | |
| Timer clock pulse width | Single-edge | t_{TCKWH} , | 1.5 | — | t_{PDcyc} Figure 2.41 | |
| | Both-edge setting | t_{TCKWL} | 2.5 | — | | |
| | Phase counting mode | | 2.5 | — | | |

Note 1. t_{PDcyc} : PCLKD cycle

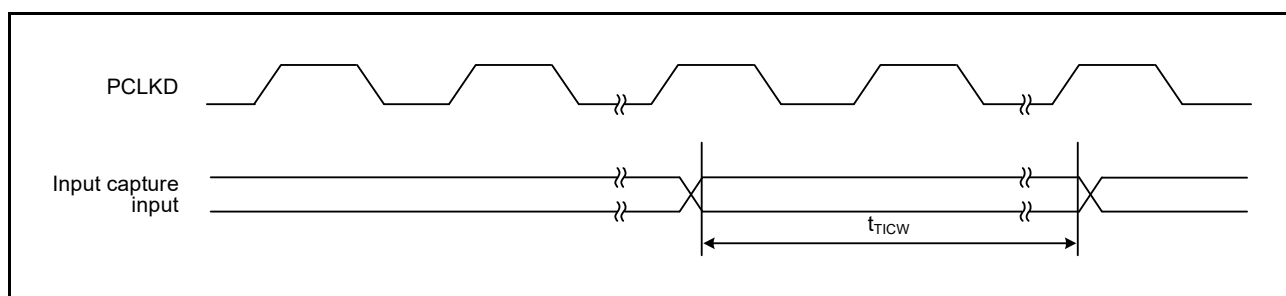


Figure 2.40 TPUa Input Capture Input Timing

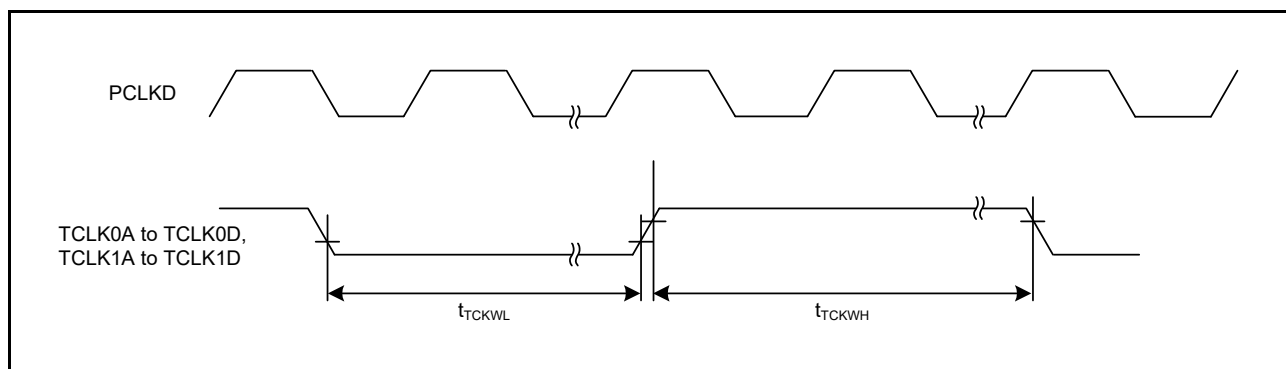


Figure 2.41 TPUa Clock Input Timing

2.4.5.3 CMTW Timing

Table 2.21 CMTW Timing

| Item | | Symbol | min | max | Unit*1 | Test Conditions |
|------|---------------------------------|---------------------|----------------------|-----|--------|--------------------------------|
| CMTW | Input capture input pulse width | Single-edge setting | t_{CMTWICW} | 1.5 | — | t_{PDcyc} Figure 2.42 |
| | | Both-edge setting | | 2.5 | — | |

Note 1. t_{PDcyc} : PCLKD cycle

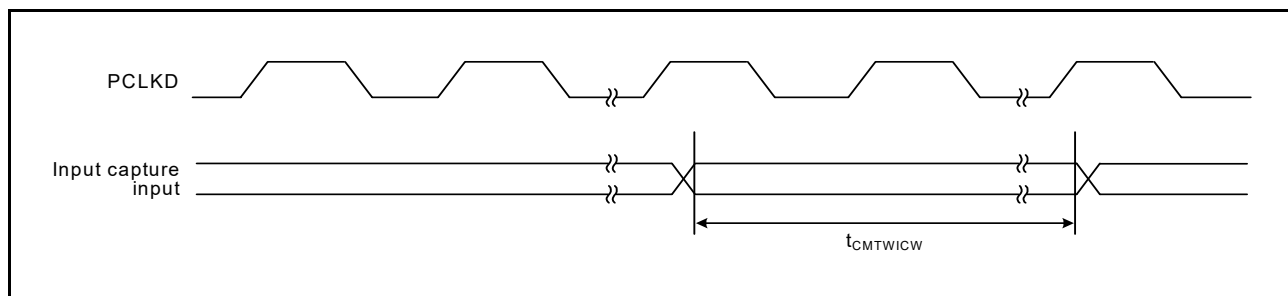


Figure 2.42 CMTW Input Capture Input Timing

2.4.5.4 MTU3a Timing

Table 2.22 MTU3a Timing

| Item | | Symbol | min | max | Unit*1 | Test Conditions | |
|-------|---------------------------------|---------------------|--------------------------|-----|--------|-----------------|-------------|
| MTU3a | Input capture input pulse width | Single-edge setting | t_{MTICW} | 1.5 | — | t_{PCyc} | Figure 2.43 |
| | | Both-edge setting | | 2.5 | — | | |
| MTU3a | Timer clock pulse width | Single-edge setting | t_{MTCKWH}, t_{MTCKWL} | 1.5 | — | t_{PCyc} | Figure 2.44 |
| | | Both-edge setting | | 2.5 | — | | |
| | | Phase counting mode | | 2.5 | — | | |

Note 1. t_{PCyc} : PCLKC cycle

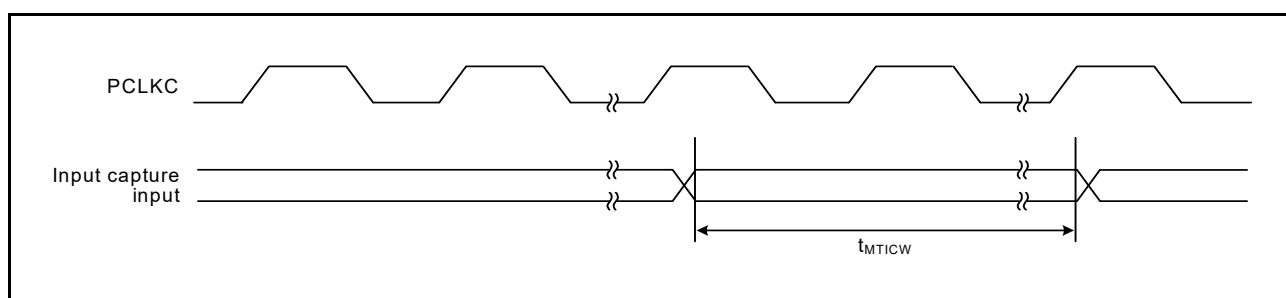


Figure 2.43 MTU3a Input Capture Input Timing

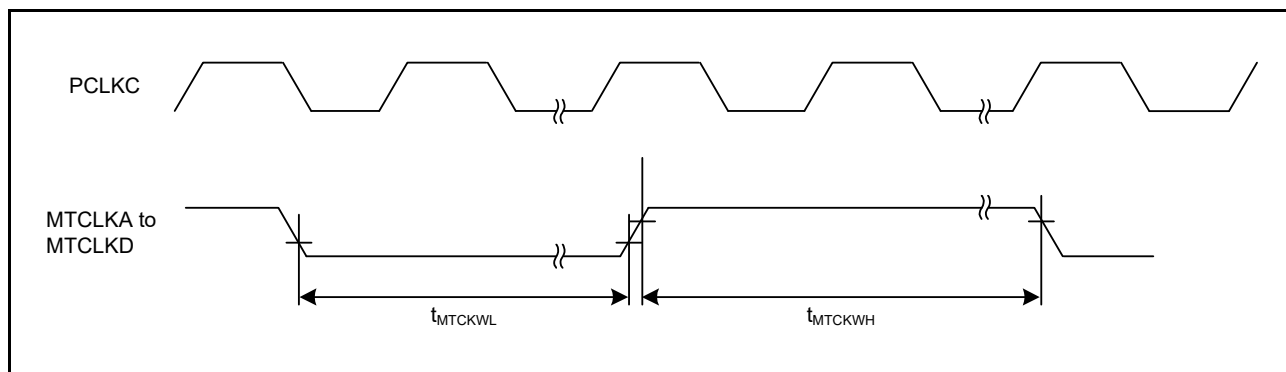


Figure 2.44 MTU3a Clock Input Timing

2.4.5.5 POE3 Timing

Table 2.23 POE3 Timing

| Item | Symbol | min | max | Unit*1 | Test Conditions |
|------------------------------|------------|-----|-----|-------------|-----------------|
| POE3 POEn# input pulse width | t_{POEW} | 1.5 | — | t_{PDcyc} | Figure 2.45 |

Note 1. t_{PDcyc} : PCLKD cycle

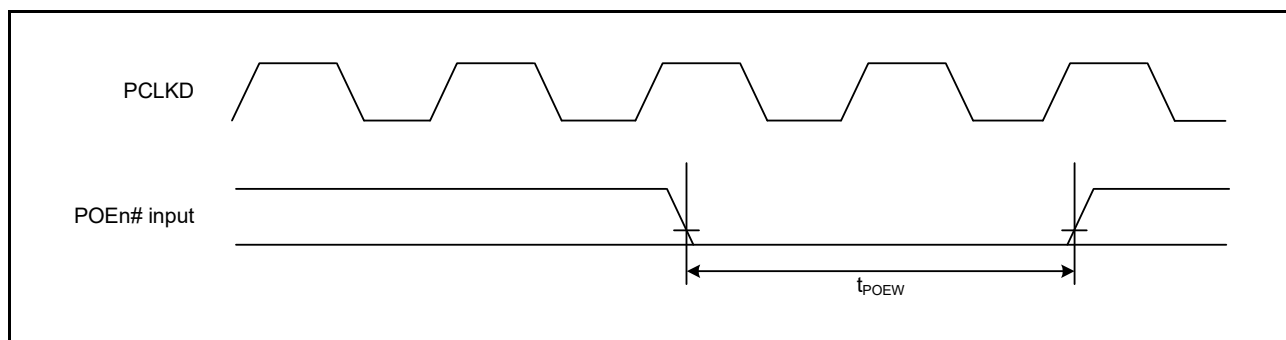


Figure 2.45 POEn# Input Pulse Timing

2.4.5.6 GPTa Timing

Table 2.24 GPTa Timing

| Item | | Symbol | min | max | Unit*1 | Test Conditions |
|------|------------------------------------|---------------------|-------------|-----|--------|------------------------|
| GPTa | Input capture input pulse width | Single-edge setting | t_{GTICW} | 3 | — | t_{PCyc} Figure 2.46 |
| | | Both-edge setting | | 5 | — | |
| GPTa | External trigger input pulse width | Single-edge setting | t_{GTEW} | 1.5 | — | t_{PCyc} Figure 2.47 |
| | | Both-edge setting | | 2.5 | — | |

Note 1. t_{PCyc} : PCLKC cycle

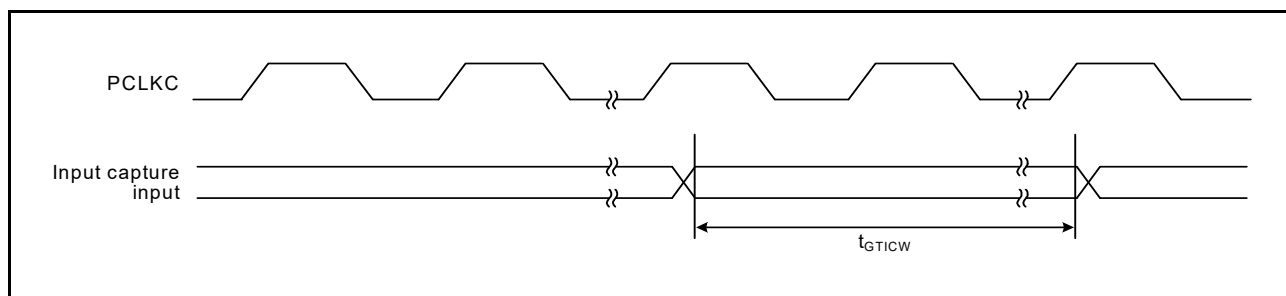


Figure 2.46 GPTa Input Capture Input Timing

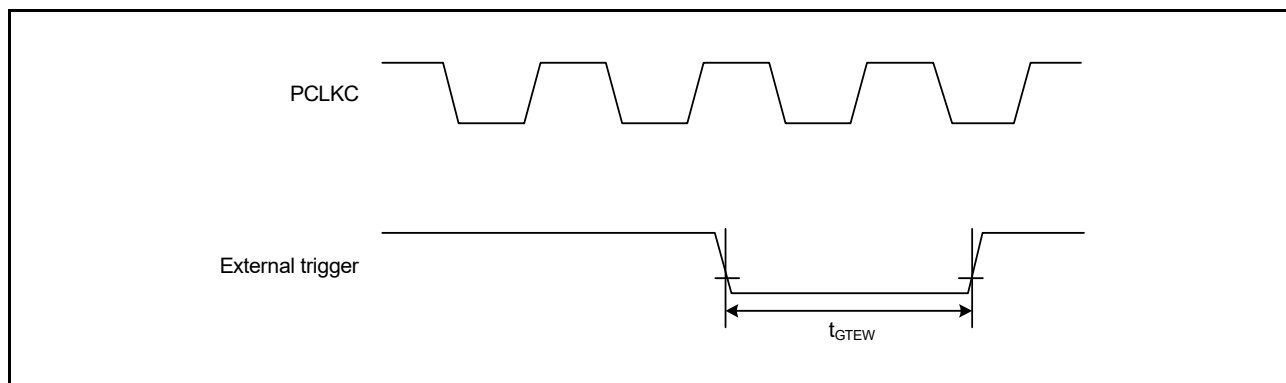


Figure 2.47 GPTa External Trigger Input Timing

2.4.5.7 A/D Converter Trigger Timing

Table 2.25 A/D Converter Trigger Timing

| Item | | Symbol | min | max | Unit*1 | Test Conditions |
|---------------|-----------------------|--------|------------|-----|--------|-------------------------|
| A/D converter | A/D converter trigger | ADTRG0 | t_{TRGW} | 1.5 | — | t_{PFcyc} Figure 2.48 |
| | input pulse width | ADTRG1 | | 1.5 | | t_{PGcyc} Figure 2.49 |

Note 1. t_{PFcyc} : PCLKF cycle, t_{PGcyc} : PCLKG cycle

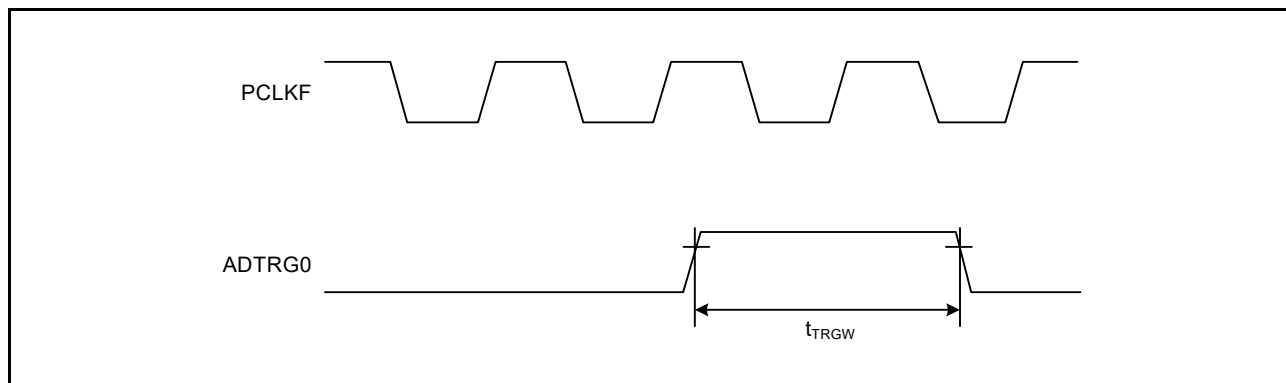


Figure 2.48 A/D Converter Trigger Input Timing (ADTRG0)

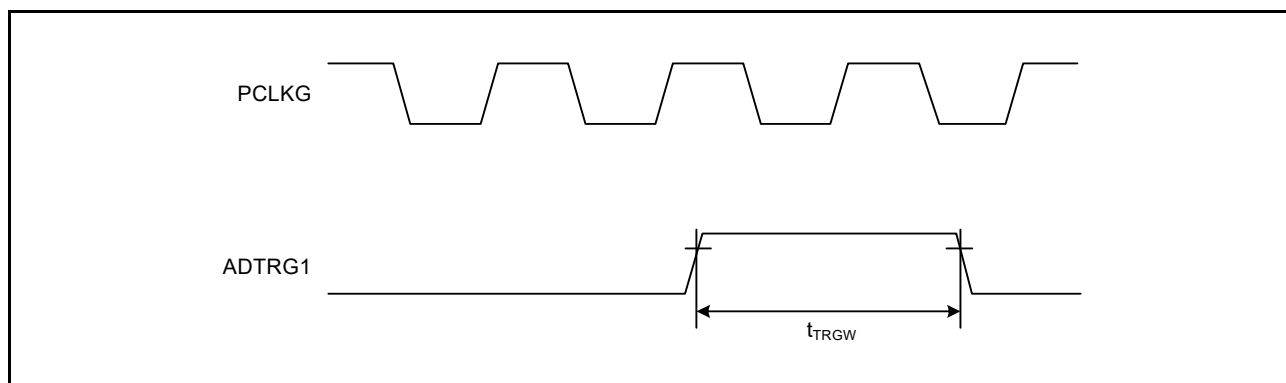


Figure 2.49 A/D Converter Trigger Input Timing (ADTRG1)

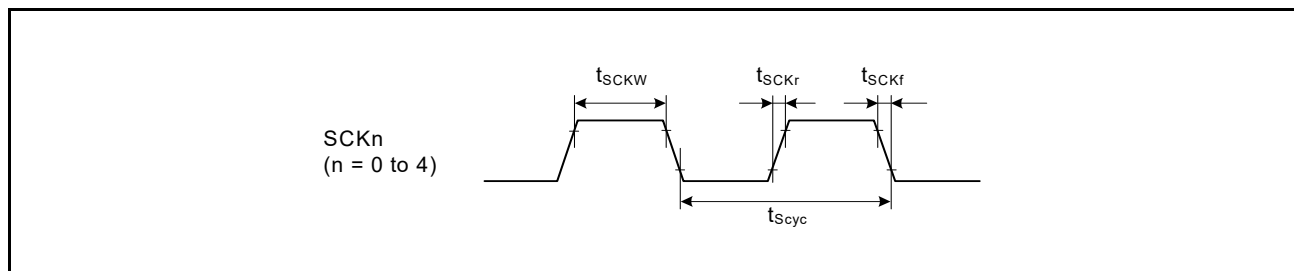
2.4.5.8 SCIFA Timing

Table 2.26 SCIFA TimingOutput load conditions: $V_{OH} = V_{CCQ33} \times 0.5$, $V_{OL1} = V_{CCQ33} \times 0.5$, $C = 30$ pF

| Item | | Symbol | min*1 | max*1 | Unit*1 | Test Conditions |
|---------------------------|-------------------|------------|---------------------------|---------------------------|-------------|-----------------|
| SCIFA Input clock cycle | Asynchronous | t_{Scyc} | 4 | — | t_{SEcyc} | Figure 2.50 |
| | Clock synchronous | | 12 | — | | |
| Input clock pulse width | | t_{SCKW} | 0.4 | 0.6 | t_{Scyc} | |
| Input clock rising time | | t_{SCKr} | — | 5 | ns | |
| Input clock falling time | | t_{SCKf} | — | 5 | ns | |
| Output clock cycle | Asynchronous*2 | t_{Scyc} | 8 | — | t_{SEcyc} | |
| | Clock synchronous | | 4 | — | | |
| Output clock pulse width | | t_{SCKW} | 0.4 | 0.6 | t_{Scyc} | |
| Output clock rising time | | t_{SCKr} | — | 9 | ns | |
| Output clock falling time | | t_{SCKf} | — | 9 | ns | |
| Transmit data delay time | Internal clock | t_{TXD} | -10 | 10 | ns | Figure 2.51 |
| | External clock | | $3 \times t_{SEcyc}$ | $4 \times t_{SEcyc} + 20$ | | |
| Receive data setup time | Internal clock | t_{RXS} | $3 \times t_{SEcyc} + 20$ | — | ns | |
| | External clock | | $t_{SEcyc} + 10$ | — | | |
| Receive data hold time | Internal clock | t_{RXH} | $-3 \times t_{SEcyc}$ | — | ns | |
| | External clock | | $2 \times t_{SEcyc} + 10$ | — | | |

Note 1. t_{SEcyc} : SERICLK cycle

Note 2. When the SEMR.ABCS0 bit = 1 and the SEMR.BGDM bit = 1

**Figure 2.50 SCK Clock Input Timing**

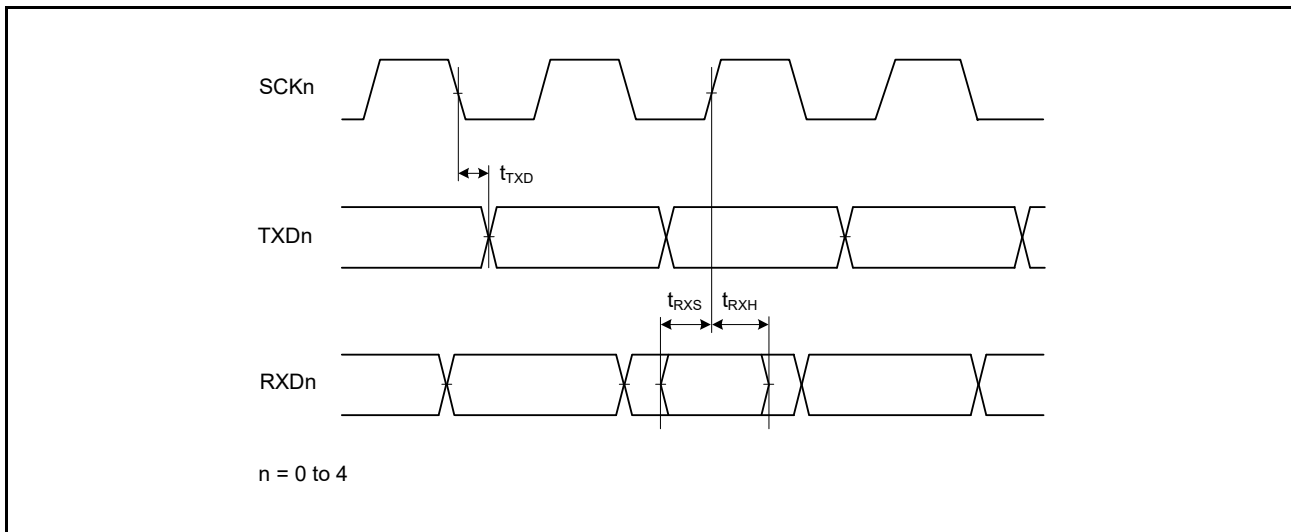


Figure 2.51 SCIFA Input/Output Timing/Clock Synchronous Mode

2.4.5.9 RSPIa Timing

Table 2.27 RSPIa TimingOutput load conditions: $V_{OH} = V_{CCQ33} \times 0.5$, $V_{OL1} = V_{CCQ33} \times 0.5$, $C = 30$ pF

| Item | | Symbol*1 | Min*1 | Max*1 | Unit*1 | Test Conditions | |
|-------|------------------------------------|----------|-------------------------|---|---|-----------------|----------------------------|
| RSPIa | RSPCK clock cycle | Master | t_{SPcyc} | 4 | 4096 | t_{SEcyc} | Figure 2.52 |
| | | Slave*4 | | 8 | 4096 | | |
| | RSPCK clock high level pulse width | Master | t_{SPCKWH} | $(t_{SPcyc} - t_{SPCKR} - t_{SPCKF}) / 2 - 3$ | — | ns | |
| | | Slave | | 0.4 | — | | |
| | RSPCK clock low level pulse width | Master | t_{SPCKWL} | $(t_{SPcyc} - t_{SPCKR} - t_{SPCKF}) / 2 - 3$ | — | ns | |
| | | Slave | | 0.4 | — | | |
| | RSPCK clock rising/falling time | Output | t_{SPCKr} | — | 9 | ns | |
| | | Input | t_{SPCKf} | — | 10 | | |
| | Data input setup time | Master | t_{SU} | 6 | — | ns | Figure 2.53 to Figure 2.56 |
| | | Slave | | $8 - t_{SEcyc}$ | — | | |
| | Data input hold time | Master | t_H | t_{SEcyc} | — | ns | |
| | | Slave | | $8 + 2 \times t_{SEcyc}$ | — | | |
| | SSL setup time | Master | t_{LEAD} | $N \times t_{SPcyc} - 3^{*2}$ | $N \times t_{SPcyc} + 3^{*2}$ | ns | |
| | | Slave | | 4 | — | | |
| | SSL hold time | Master | t_{LAG} | $N \times t_{SPcyc} - 3^{*3}$ | $N \times t_{SPcyc} + 3^{*3}$ | ns | |
| | | Slave | | 4 | — | | |
| | Data output delay time | Master | t_{OD} | — | 6 | ns | |
| | | Slave | | — | $3 \times t_{SEcyc} + 20^{*4}$ | | |
| | Data output hold time | Master | t_{OH} | 0 | — | ns | |
| | | Slave | | 0 | — | | |
| | Continuous transmission delay | Master | t_{TD} | $t_{SPcyc} + 2 \times t_{SEcyc}$ | $8 \times t_{SPcyc} + 2 \times t_{SEcyc}$ | ns | |
| | | Slave | | $4 \times t_{SEcyc}$ | — | | |
| | MOSI, MISO rising/falling time | Output | t_{Dr} , t_{Df} | — | 9 | ns | |
| | | Input | | — | 10 | | |
| | SSL rising/falling time | Output | t_{SSLr} , t_{SSLf} | — | 9 | ns | |
| | | Input | | — | 10 | | |
| | Slave access time | | t_{SA} | — | 4 | t_{SEcyc} | Figure 2.55 to Figure 2.56 |
| | Slave output release time | | t_{REL} | — | 3 | t_{SEcyc} | |

Note 1. t_{SEcyc} : SERICLK cycleNote 2. $N = SPCKD$ set value + 1 (1 to 8)Note 3. $N = SSLND$ set value + 1 (1 to 8)

Note 4. The data output delay time may become longer than half a cycle of the RSPCK clock depending on the bit rate setting. Be sure to satisfy the conditions required for the electrical characteristics of the master device.

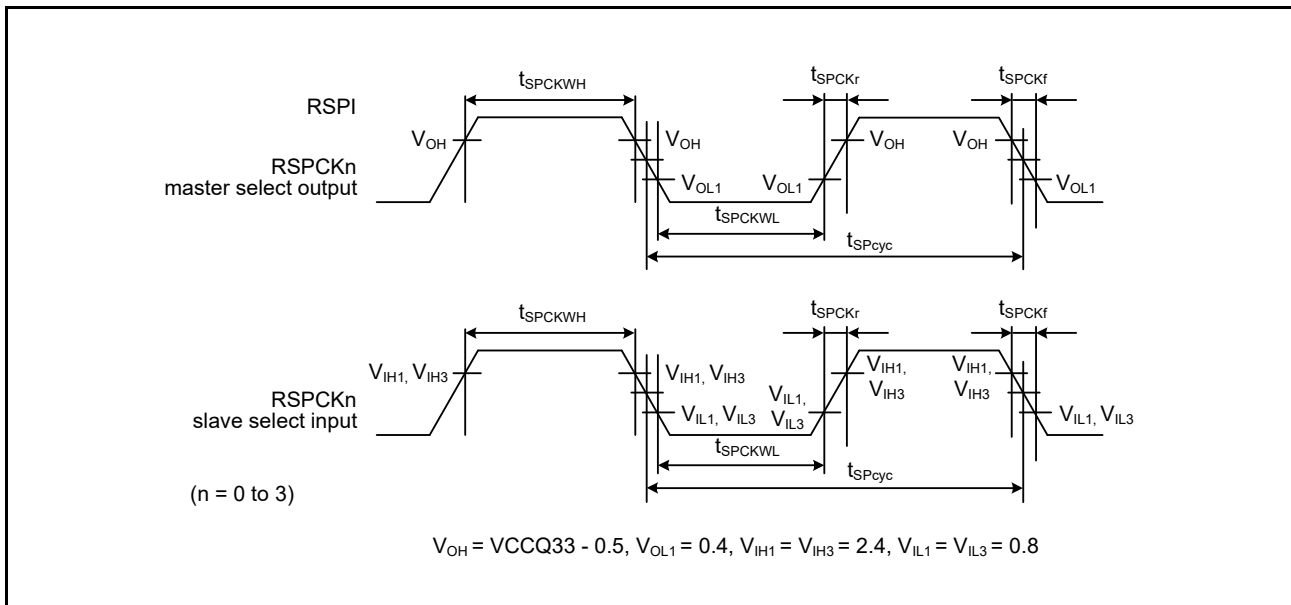


Figure 2.52 RSPIa Clock Timing

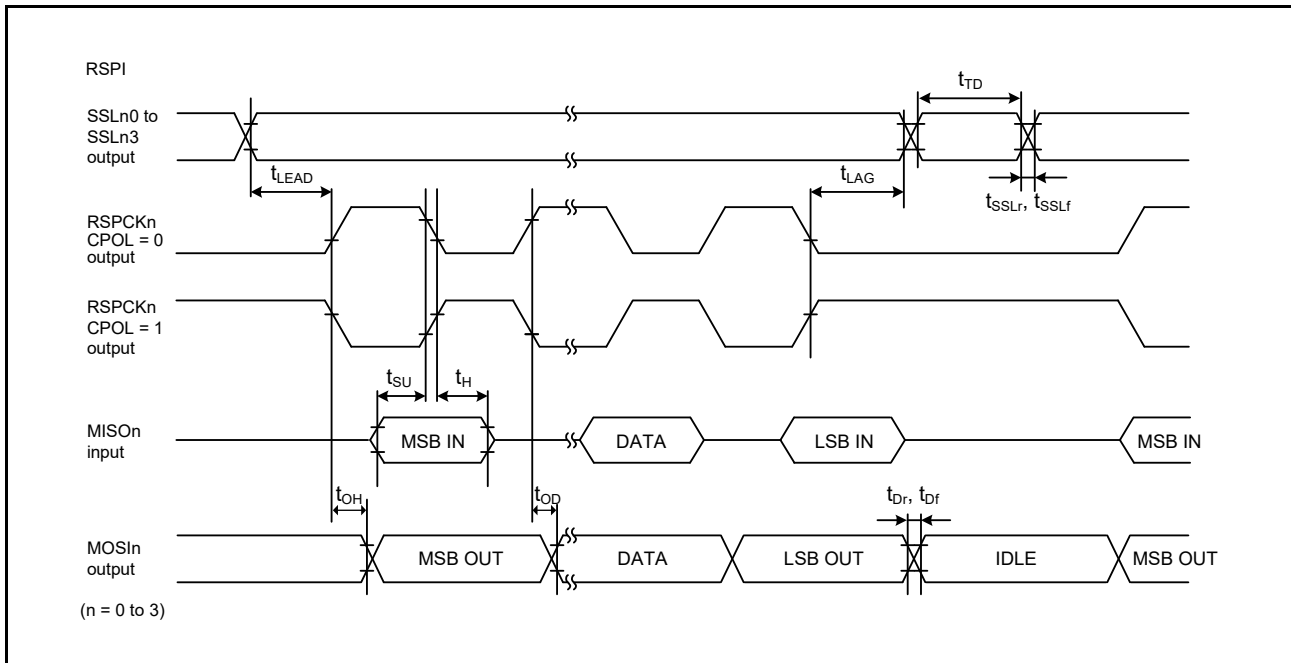


Figure 2.53 RSPIa Timing (Master, CPHA = 0)

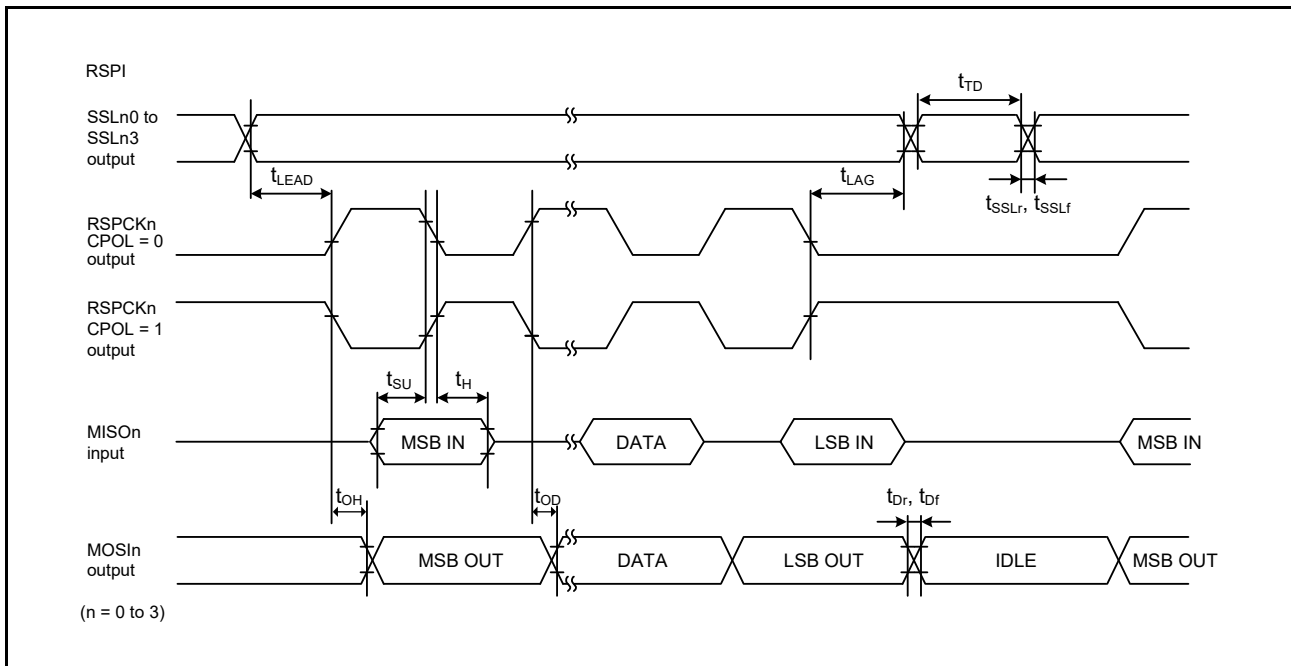


Figure 2.54 RSPIa Timing (Master, CPHA = 1)

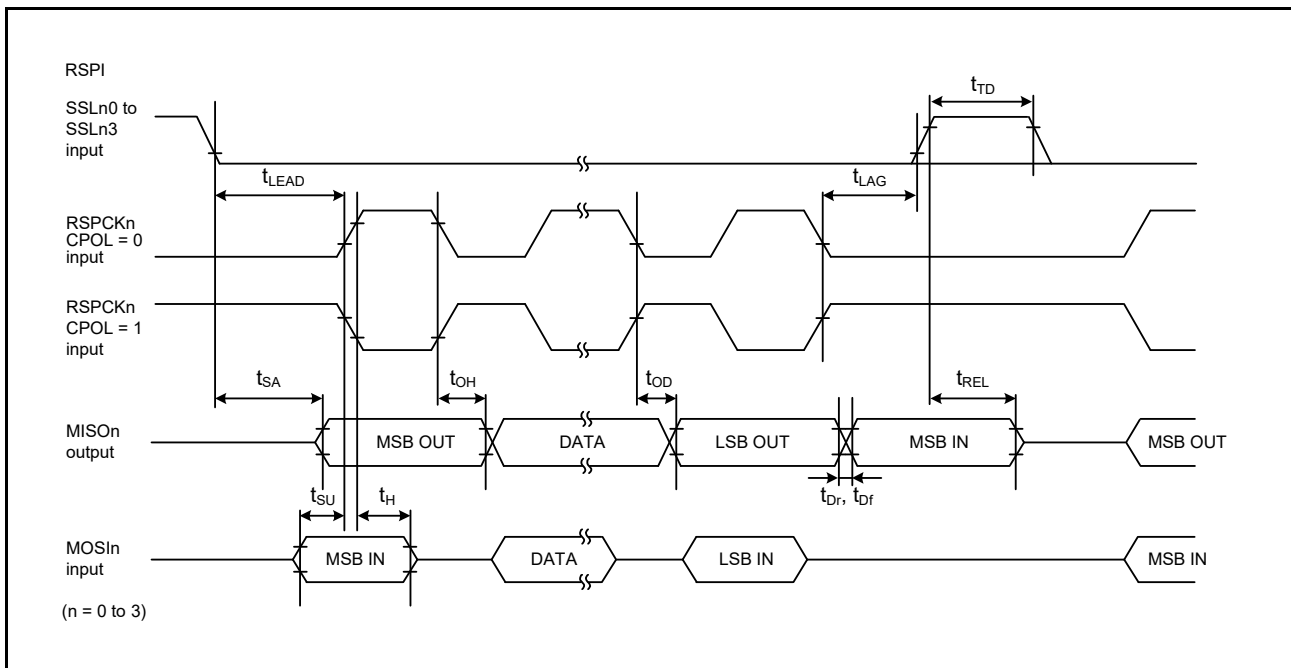


Figure 2.55 RSPI Timing (Slave, CPHA = 0)

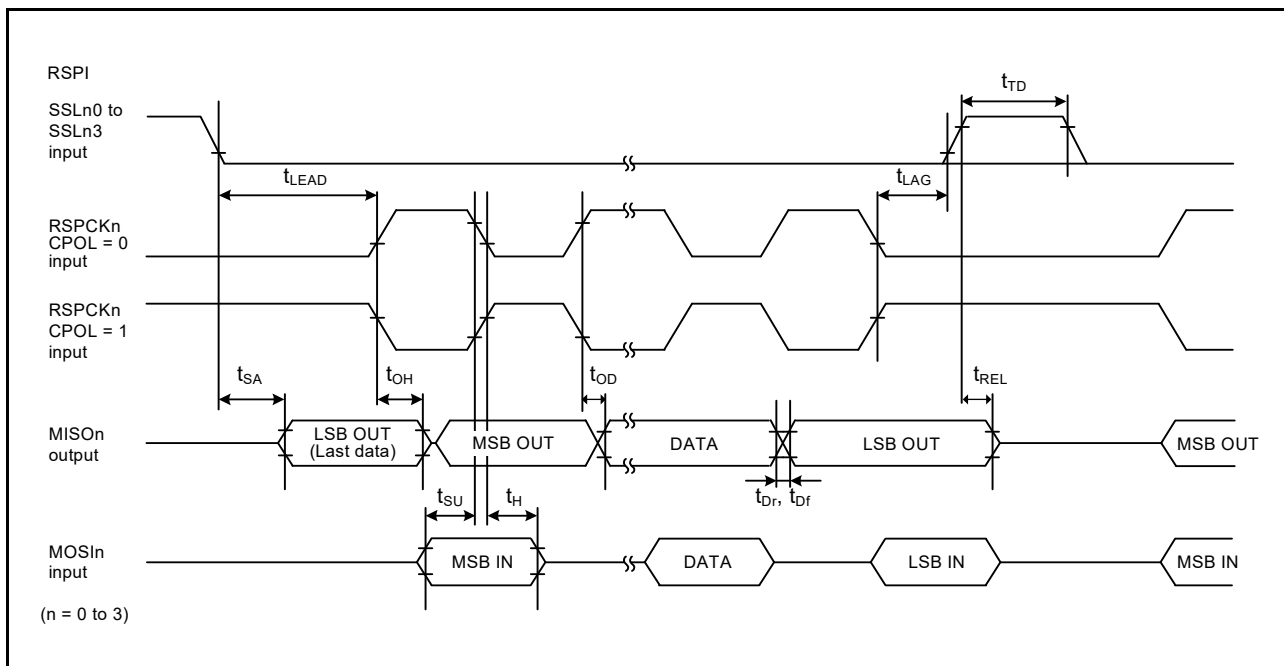
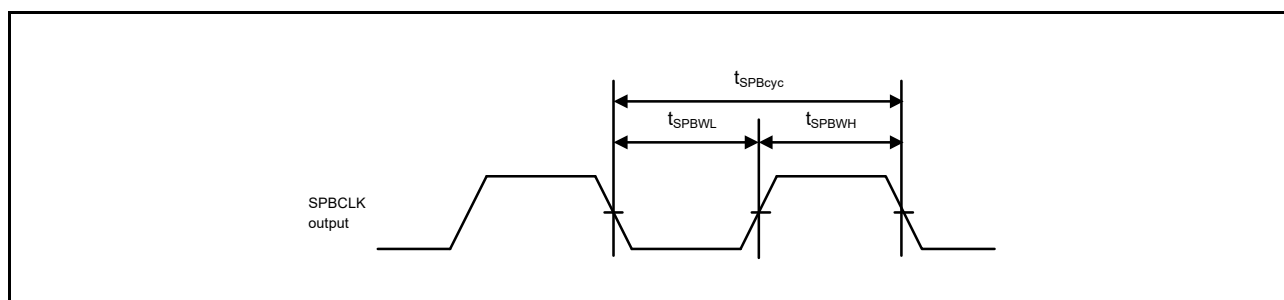


Figure 2.56 RSPI Timing (Slave, CPHA = 1)

2.4.5.10 SPIBSC Timing

Table 2.28 SPIBSC TimingOutput load conditions: $V_{OH} = V_{CCQ33} \times 0.5$, $V_{OL1} = V_{CCQ33} \times 0.5$, $C = 30$ pF

| Item | Symbol | min | max | Unit*1 | Test Conditions | |
|--------|--------------------------------|--------------|---------------------------|-----------------------------|-----------------|---|
| SPIBSC | SPBCLK clock cycle | t_{SPBcyc} | 2 | 4080 | t_{PAcyc} | Figure 2.57 |
| | SPBCLK high level pulse width | t_{SPBWH} | 0.45 | 0.55 | t_{SPBcyc} | |
| | SPBCLK low level pulse width | t_{SPBWL} | 0.45 | 0.55 | t_{SPBcyc} | |
| | Data input setup time | t_{SU} | 3.5 | — | ns | Figure 2.58, Figure 2.59, Figure 2.60 |
| | Data input hold time | t_H | 0.5 | — | ns | |
| | SSL setup time | t_{LEAD} | $1 \times t_{SPBcyc} - 3$ | $8 \times t_{SPBcyc}$ | ns | |
| | SSL hold time | t_{LAG} | $1.5 \times t_{SPBcyc}$ | $8.5 \times t_{SPBcyc} + 3$ | ns | |
| | Continuous transfer delay time | t_{TD} | 1 | 8 | t_{SPBcyc} | |
| | Data output delay time | t_{OD} | — | 3.6 | ns | |
| | Data output hold time | t_{OH} | -1 | — | ns | |
| | Data output buffer on time | t_{BON} | — | 3.6 | ns | Figure 2.61, Figure 2.62, Figure 2.63 |
| | Data output buffer off time | t_{BOFF} | -7 | 0 | ns | |

Note 1. t_{PAcyc} : PCLKA cycle**Figure 2.57 SPIBSC Clock Timing**

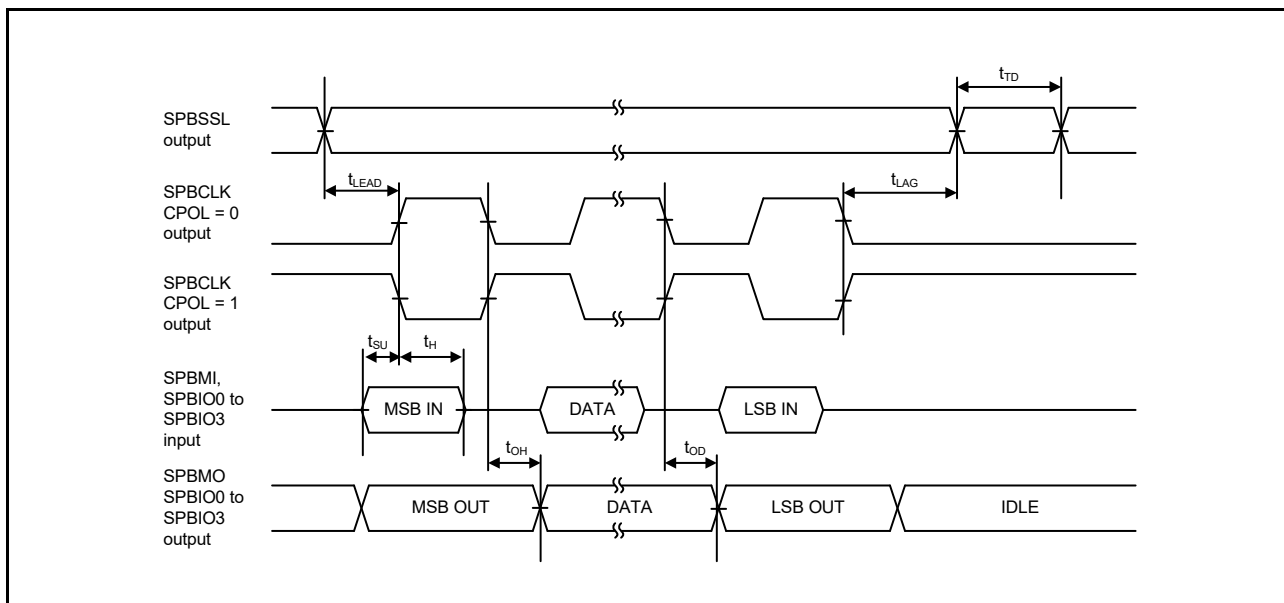


Figure 2.58 SPIBSC Transmit/Receive Timing (CPHAT = 0, CPHAR = 0)

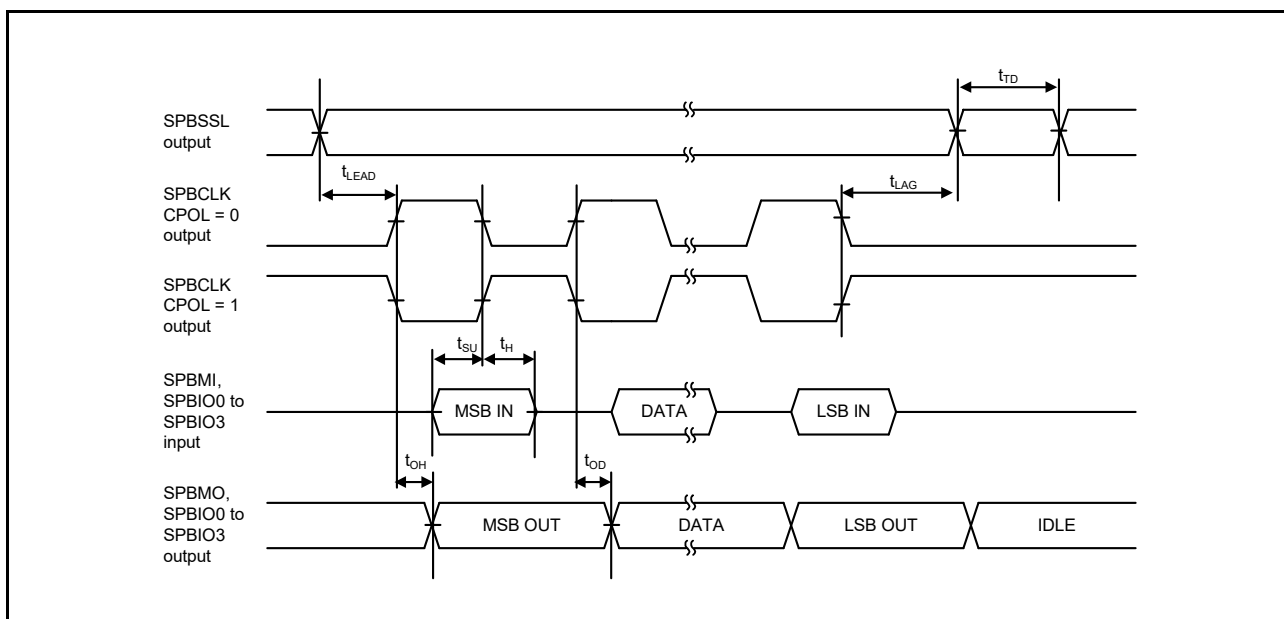


Figure 2.59 SPIBSC Transmit/Receive Timing (CPHAT = 1, CPHAR = 1)

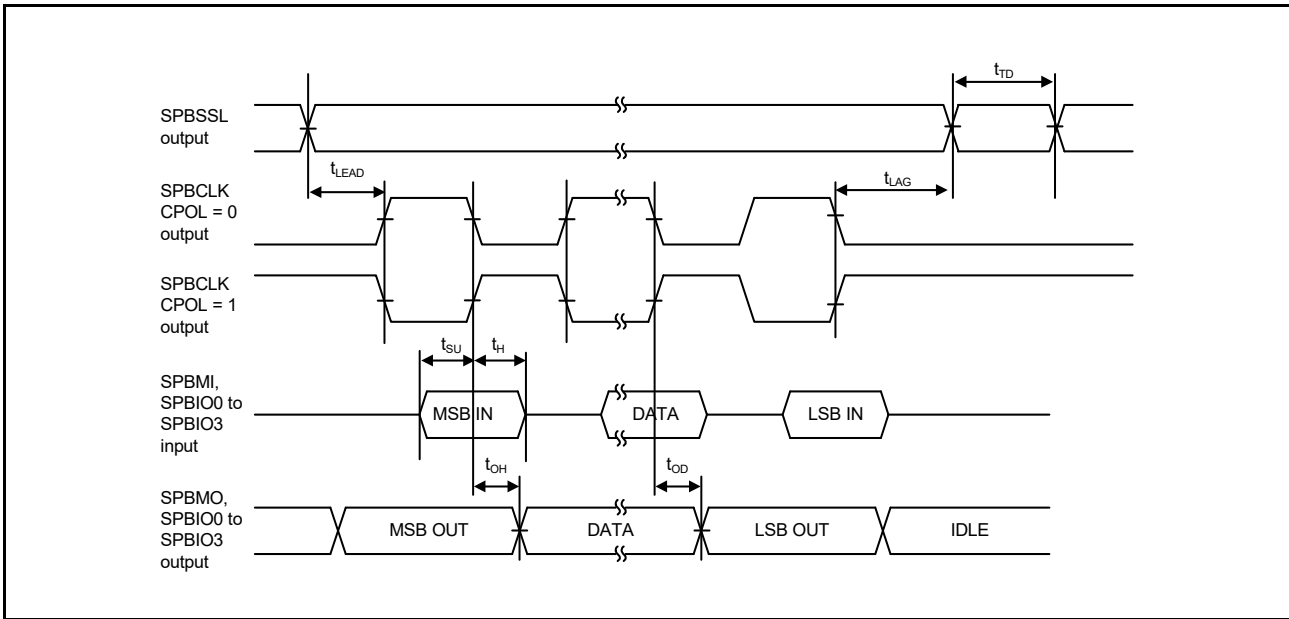


Figure 2.60 SPIBSC Transmit/Receive Timing (CPHAT = 0, CPHAR = 1)

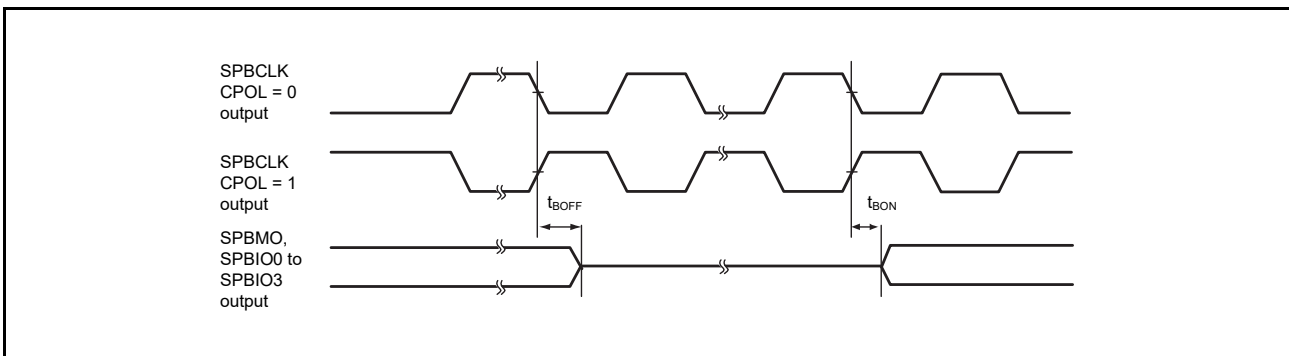


Figure 2.61 SPIBSC Buffer On/Off Timing (CPHAT = 0, CPHAR = 0)

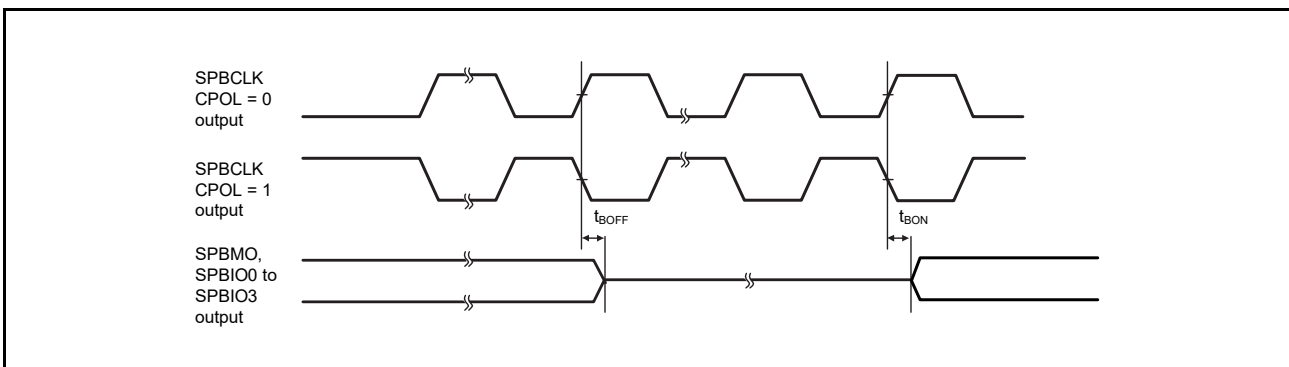


Figure 2.62 SPIBSC Buffer On/Off Timing (CPHAT = 1, CPHAR = 1)

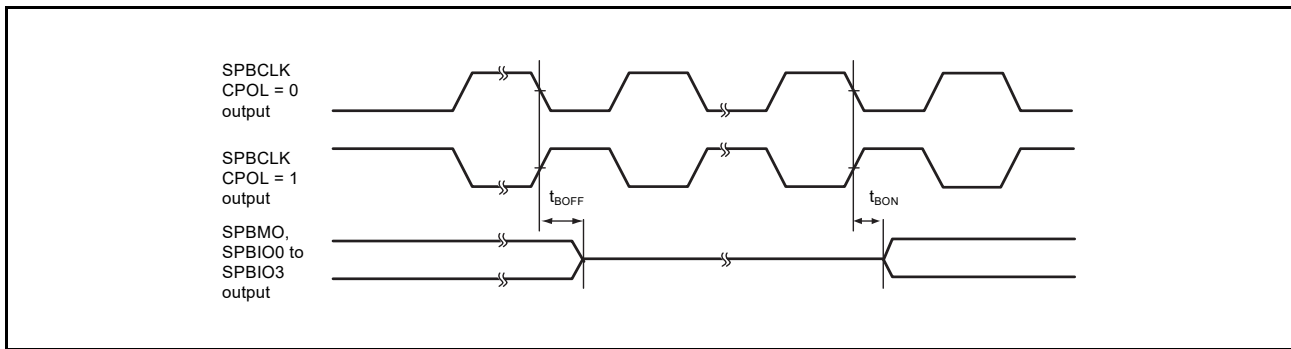


Figure 2.63 SPIBSC Buffer On/Off Timing (CPHAT = 0, CPHAR = 1)

2.4.5.11 RIIc Timing

Table 2.29 RIIc TimingOutput load conditions: $V_{OL2} = 0.4\text{ V}$, $I_{OL2} = 3\text{ mA}$

| Item | symbol | min*2 | max*2 | Unit*1 | Test Conditions | |
|---|---|----------------------|----------------------------------|---------------------------------|-----------------|-------------|
| RIIc (Standard-mode) | SCL input cycle time | t_{SCL} | $6(12) \times t_{IICcyc} + 1300$ | — | ns | Figure 2.64 |
| | SCL input high pulse width | t_{SCLH} | $3(6) \times t_{IICcyc} + 300$ | — | ns | |
| | SCL input low pulse width | t_{SCLL} | $3(6) \times t_{IICcyc} + 300$ | — | ns | |
| | SCL, SDA input rising time | t_{sr} | — | 1000 | ns | |
| | SCL, SDA input falling time | t_{sf} | — | 300 | ns | |
| | SCL, SDA input spike pulse removal time | t_{SP} | 0 | $1(4) \times t_{IICcyc}$ | ns | |
| | SDA input bus free time | t_{BUF} | $3(6) \times t_{IICcyc} + 300$ | — | ns | |
| | Start condition input hold time | t_{STAH} | $t_{IICcyc} + 300$ | — | ns | |
| | Restart condition input setup time | t_{STAS} | 1000 | — | ns | |
| | Stop condition input setup time | t_{STOS} | 1000 | — | ns | |
| | Data input setup time | t_{SDAS} | $t_{IICcyc} + 50$ | — | ns | |
| | Data input hold time | t_{SDAH} | 0 | — | ns | |
| | SCL, SDA capacitive load | C_b | — | 400 | pF | |
| | RIIc (Fast-mode) | SCL input cycle time | t_{SCL} | $6(12) \times t_{IICcyc} + 600$ | — | |
| SCL input high pulse width | | t_{SCLH} | $3(6) \times t_{IICcyc} + 300$ | — | ns | |
| SCL input low pulse width | | t_{SCLL} | $3(6) \times t_{IICcyc} + 300$ | — | ns | |
| SCL, SDA input rising time | | t_{sr} | —*4 | 300 | ns | |
| SCL, SDA input falling time | | t_{sf} | —*4 | 300 | ns | |
| SCL, SDA input spike pulse removal time | | t_{SP} | 0 | $1(4) \times t_{IICcyc}$ | ns | |
| SDA input bus free time | | t_{BUF} | $3(6) \times t_{IICcyc} + 300$ | — | ns | |
| Start condition input hold time | | t_{STAH} | $t_{IICcyc} + 300$ | — | ns | |
| Restart condition input setup time | | t_{STAS} | 300 | — | ns | |
| Stop condition input setup time | | t_{STOS} | 300 | — | ns | |
| Data input setup time | | t_{SDAS} | $t_{IICcyc} + 50$ | — | ns | |
| Data input hold time | | t_{SDAH} | 0 | — | ns | |
| SCL, SDA capacitive load*3 | | C_b | — | 400 | pF | |

Note 1. t_{IICcyc} : RIIc internal reference clock (IIC ϕ) cycle

Note 2. The value out of parentheses is applicable when the value of the ICMR3.NF[1:0] bits is 00b while the digital filter is enabled by setting ICFER.NFE = 1. The value within parentheses is applicable when the value of the ICMR3.NF[1:0] bits is 11b while the digital filter is enabled by setting ICFER.NFE = 1.

Note 3. C_b is the total capacitance of the bus lines.Note 4. The minimum values are not specified for t_{sr} and t_{st} in Fast-mode.

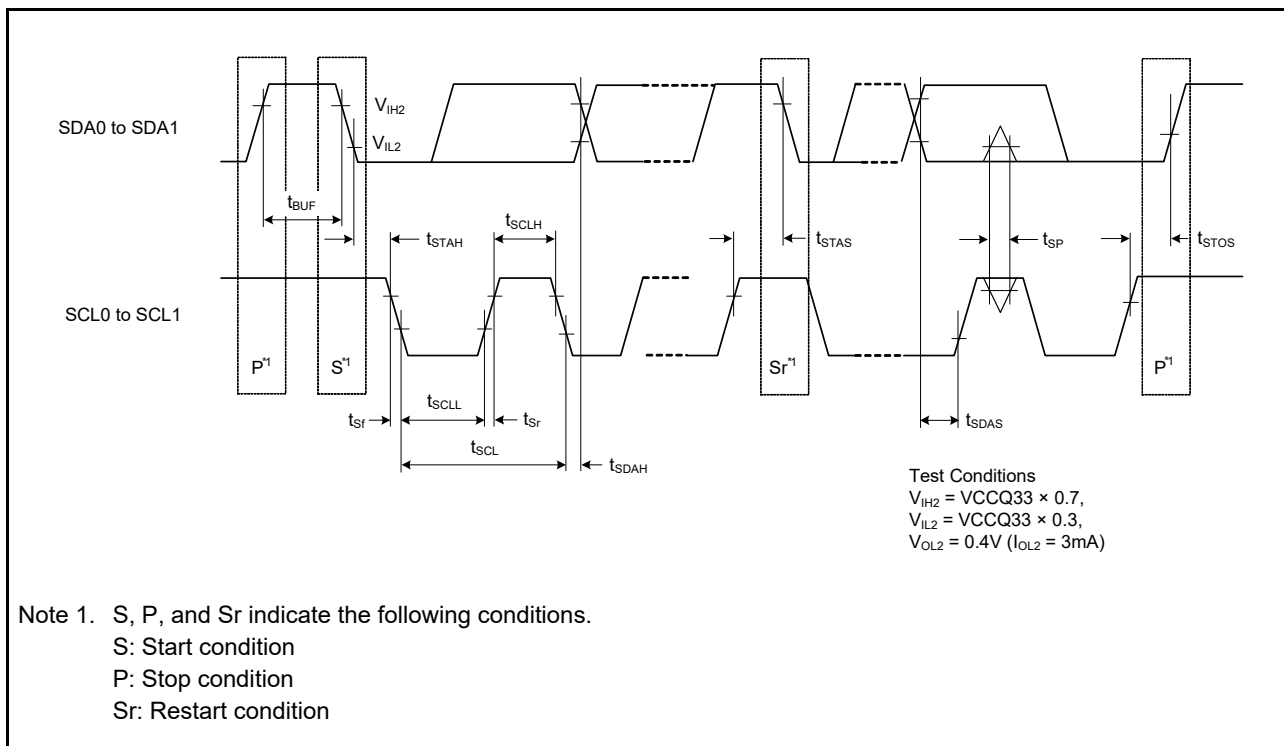
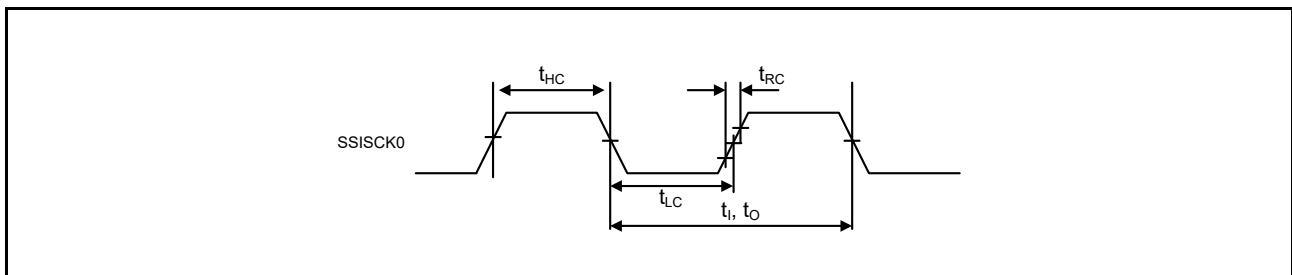
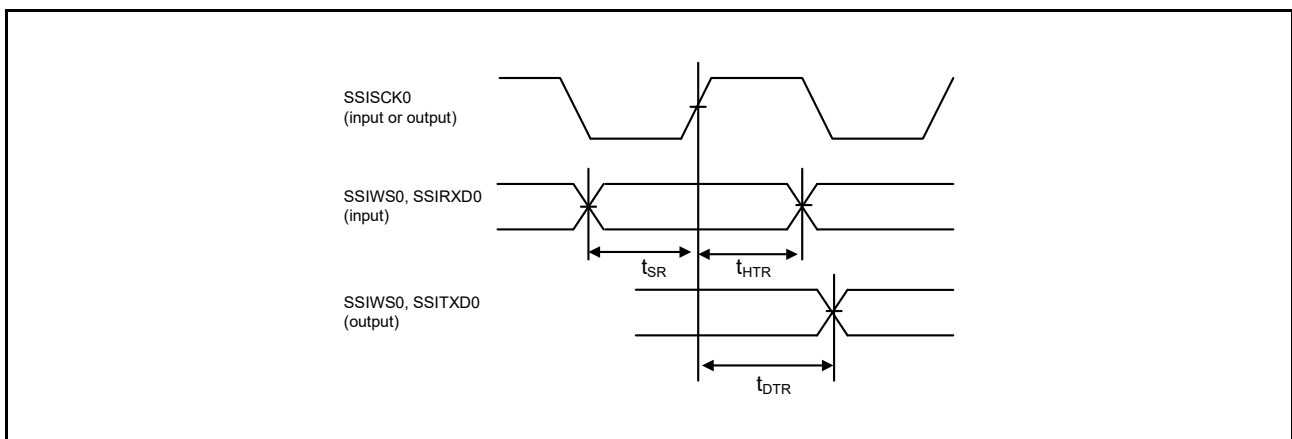


Figure 2.64 IICa Bus Interface Input/Output Timing

2.4.5.12 Serial Sound Interface Timing

Table 2.30 Serial Sound Interface TimingOutput load conditions: $V_{OH} = V_{CCQ33} \times 0.5$, $V_{OL1} = V_{CCQ33} \times 0.5$, $C = 30$ pF

| Item | Symbol | Min. | Max. | Unit | Test Conditions | |
|------|-------------------------------------|-------------|------|-------|-----------------|-----------------------------|
| SSI | AUDIO_CLK input frequency | t_{AUDIO} | 1 | 50 | MHz | |
| | Output clock cycle | t_O | 150 | 64000 | ns | Figure 2.65 |
| | Input clock cycle | t_i | 150 | 64000 | ns | |
| | Clock high level | t_{HC} | 60 | — | ns | |
| | Clock low level | t_{LC} | 60 | — | ns | |
| | Clock rising time | t_{RC} | — | 25 | ns | |
| | Data delay time | t_{DTR} | -5 | 25 | ns | Figure 2.66, Figure 2.67 |
| | Setup time | t_{SR} | 25 | — | ns | |
| | Hold time | t_{HTR} | 25 | — | ns | |
| | WS change edge SSITXD0 output delay | T_{DTRW} | — | 25 | ns | Figure 2.68 |

**Figure 2.65 Clock Input/Output Timing****Figure 2.66 Transmit/Receive Timing (SSISCK0 Rising Synchronous)**

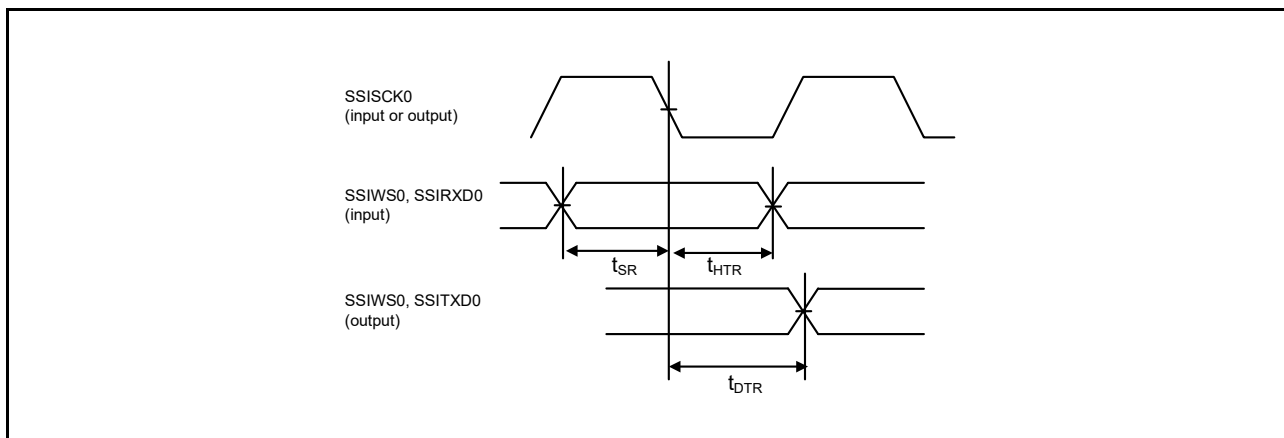


Figure 2.67 Transmit/Receive Timing (SSISCK0 Falling Synchronous)

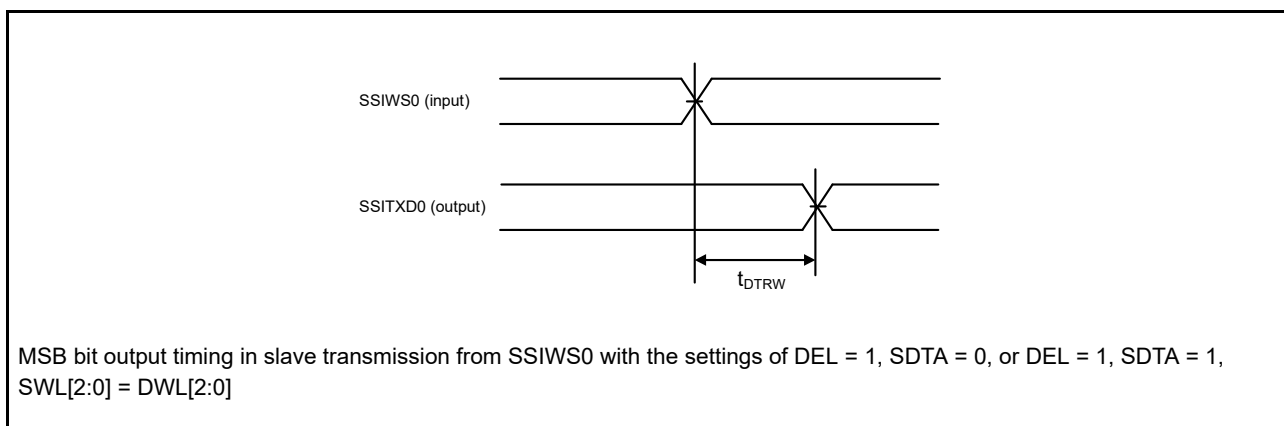


Figure 2.68 SSITXD0 Output Delay from SSIWS0 Change Edge

2.4.5.13 CAN Interface Timing

Table 2.31 CAN Interface Timing

| Item | Symbol | min | max | Unit | Test Conditions |
|---------------------|-------------------|-----|-----|------|-----------------|
| Internal delay time | t _{node} | — | 100 | ns | Figure 2.69 |
| Transmission rate | | — | 1 | Mbps | |

Internal delay time (t_{node}) = Internal transmission delay time (t_{output}) + Internal reception delay time (t_{input})

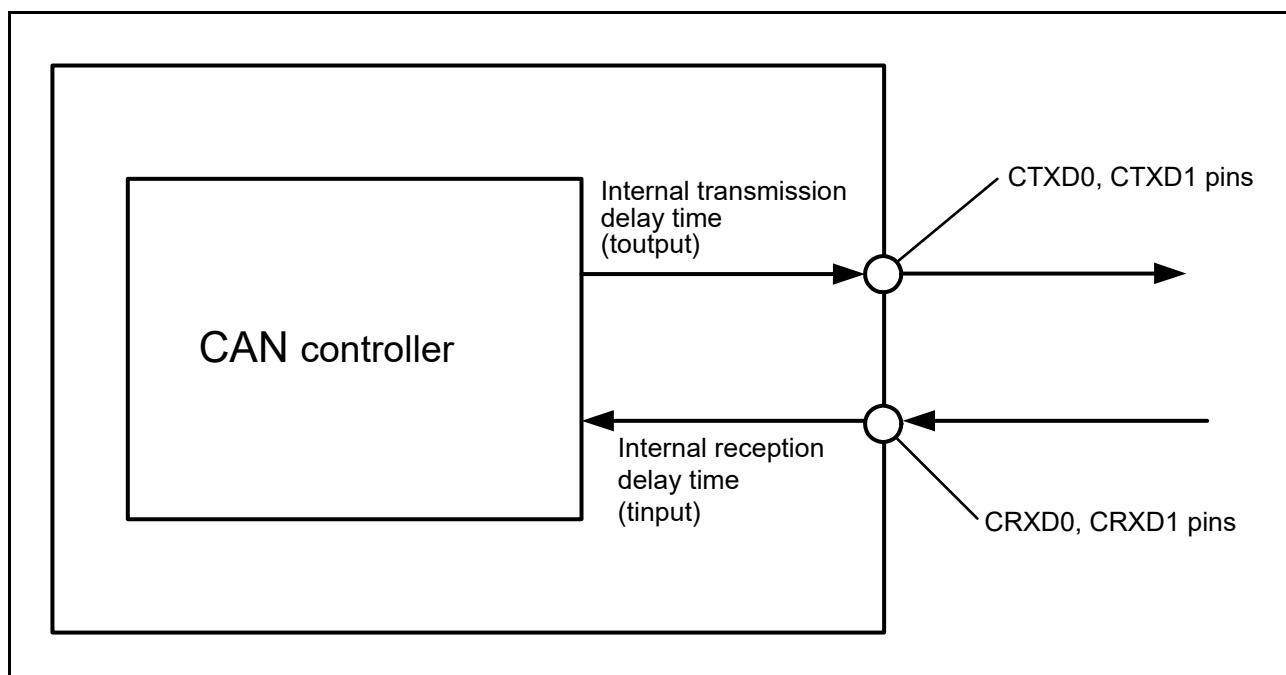


Figure 2.69 CAN Interface Conditions

2.4.5.14 ETHERC Timing

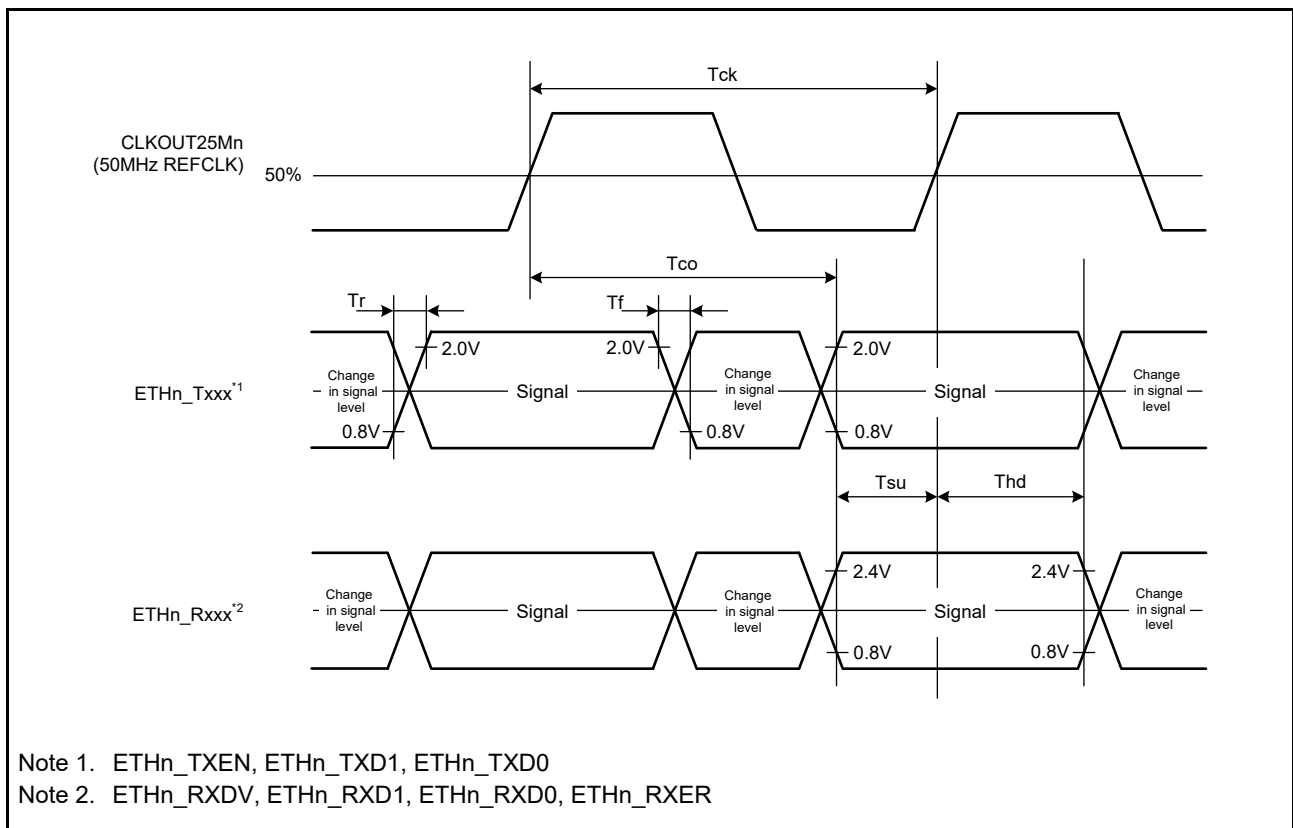
Table 2.32 ETHERC Timing

Output load conditions: $V_{OH} = 2.0\text{ V}$, $V_{OL1} = 0.8\text{ V}$, $C = 25\text{ pF}$ (RMII)
 $V_{OH} = V_{CCQ33} \times 0.5$, $V_{OL1} = V_{CCQ33} \times 0.5$, $C = 30\text{ pF}$ (MII)

| Item | Symbol | min | max | Unit | Test Conditions | |
|---------------|--|---------------|-----|------|-----------------|----------------|
| ETHERC (RMII) | CLKOUT25Mn cycle time | T_{ck} | 20 | — | ns | Figure 2.70 to |
| | ETHn_Txxx*1 output delay time | T_{co} | 2 | 16 | ns | Figure 2.73 |
| | ETHn_Rxxx*2 setup time | T_{su} | 4 | — | ns | |
| | ETHn_Rxxx*2 hold time | T_{hd} | 2 | — | ns | |
| | ETHn_xxxx*1, *2 rising/falling time | T_r , T_f | 0.5 | 5 | ns | |
| ETHERC (MII) | ETHn_TXC cycle time | t_{Tcyc} | 40 | — | ns | — |
| | ETHn_TXEN output delay time | t_{TENd} | 0 | 25 | ns | Figure 2.74 |
| | ETHn_TXD0 to ETHn_TXD3 output delay time | t_{MTDd} | 0 | 25 | ns | |
| | ETHn_TXER output delay time | t_{TERd} | — | 25 | ns | Figure 2.75 |
| | ETHn_RXC cycle time | t_{TRcyc} | 40 | — | ns | — |
| | ETHn_RXDV setup time | t_{RDVs} | 10 | — | ns | Figure 2.76 |
| | ETHn_RXDV hold time | t_{RDVh} | 10 | — | ns | |
| | ETHn_RXD0 to ETHn_RXD3 setup time | t_{MRDs} | 10 | — | ns | |
| | ETHn_RXD0 to ETHn_RXD3 hold time | t_{MRDh} | 10 | — | ns | |
| | ETHn_RXER setup time | t_{RErs} | 10 | — | ns | Figure 2.77 |
| | ETHn_RXER hold time | t_{RErh} | 10 | — | ns | |

Note 1. ETHn_TXEN, ETHn_TXD1, ETHn_TXD0

Note 2. ETHn_RXDV, ETHn_RXD1, ETHn_RXD0, ETHn_RXER

**Figure 2.70 Timing with the CLKOUT25Mn and RMII Signals**

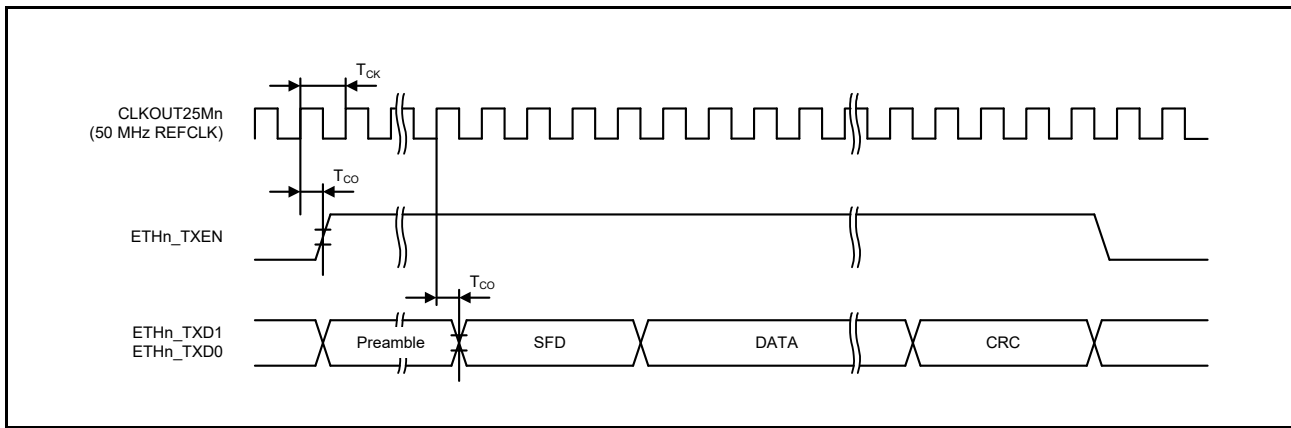


Figure 2.71 RMII Transmission Timing

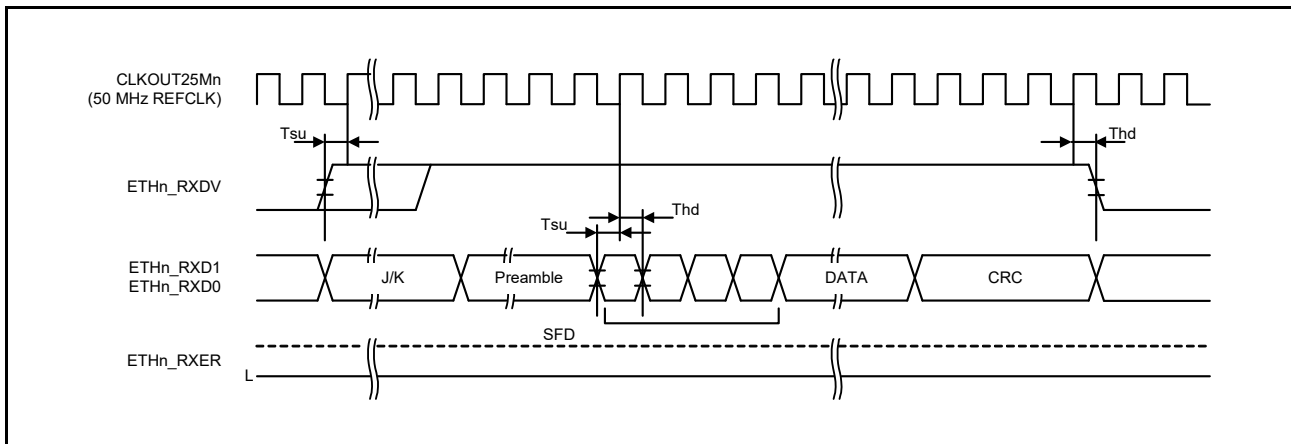


Figure 2.72 RMII Reception Timing (Normal Operation)

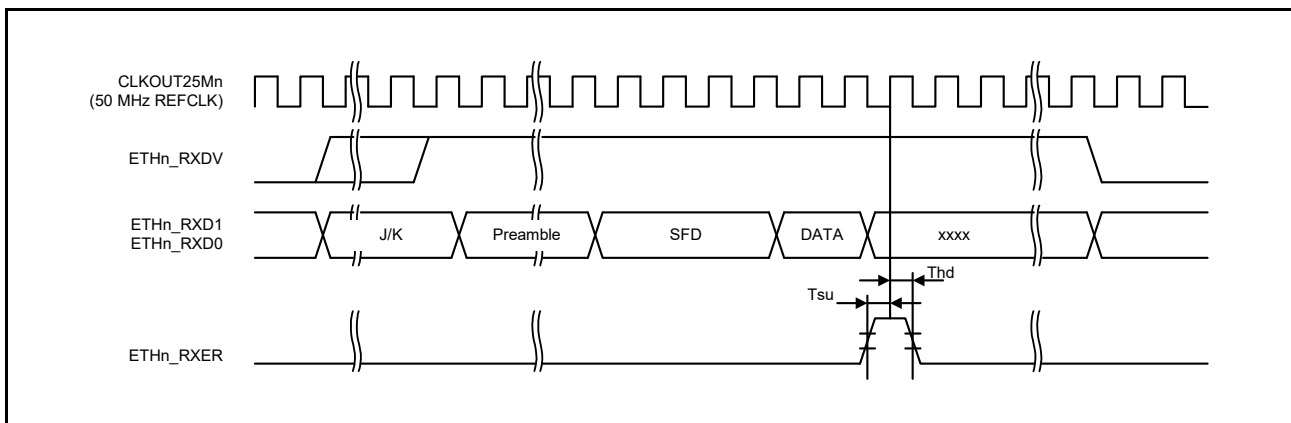


Figure 2.73 RMII Reception Timing (Error Occurrence)

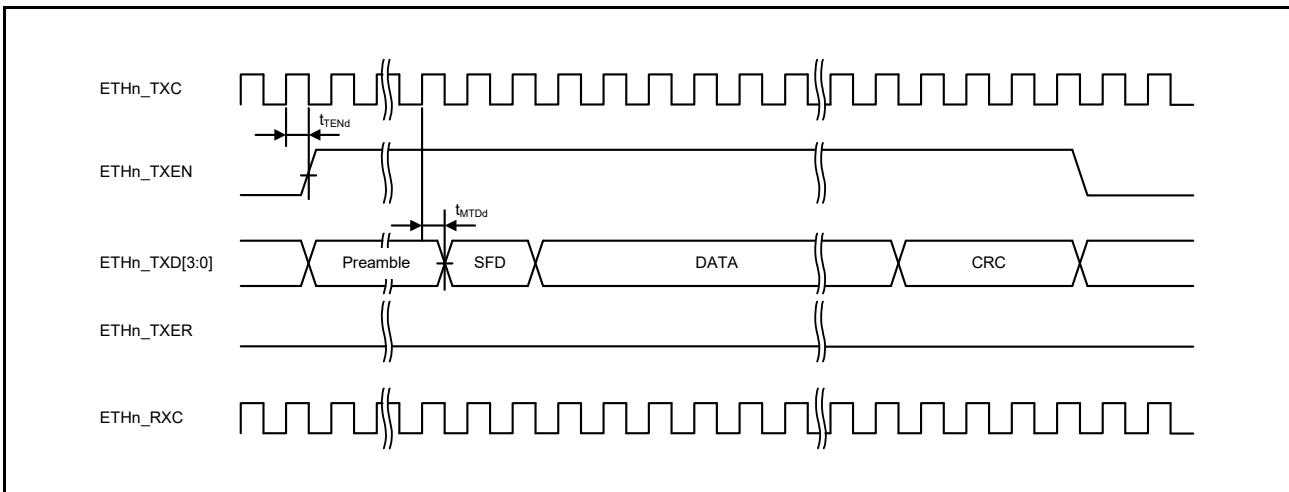


Figure 2.74 MII Transmission Timing

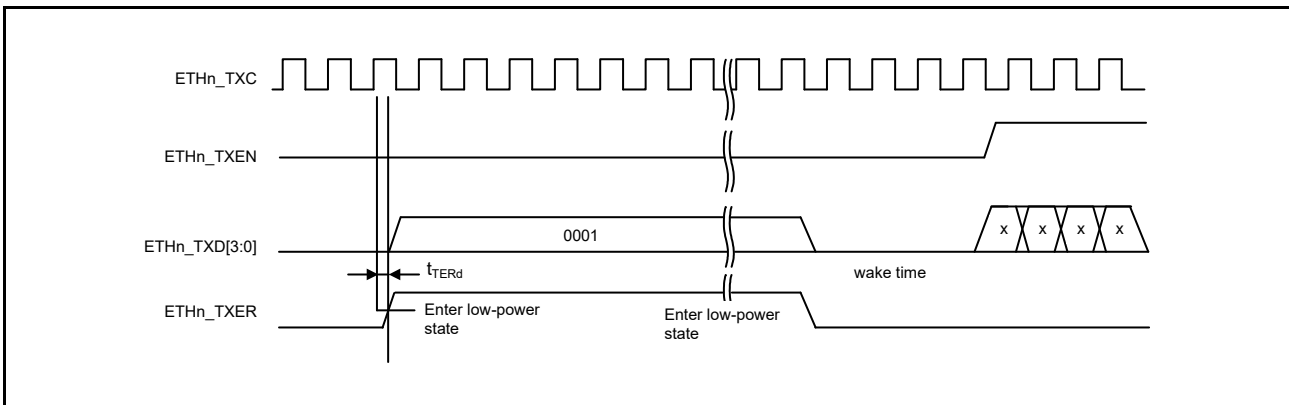


Figure 2.75 MII Transmission Timing

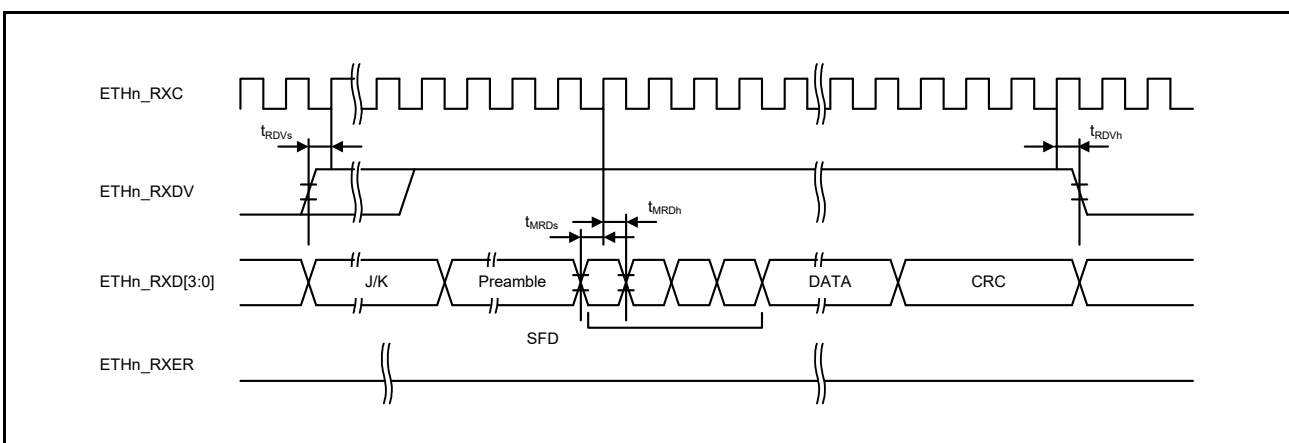


Figure 2.76 MII Reception Timing (Normal Operation)

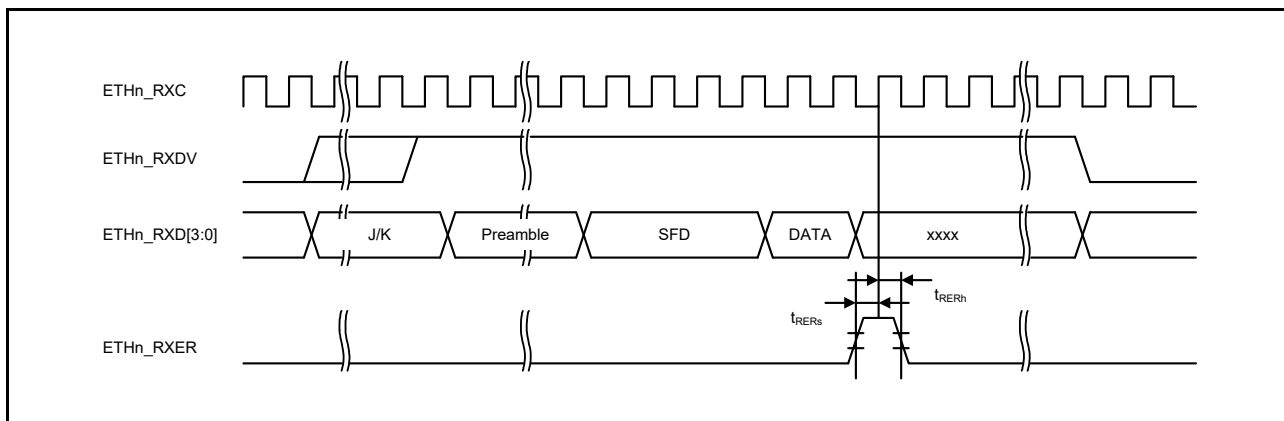


Figure 2.77 MII Reception Timing (Error Occurrence)

2.4.5.15 Serial Management Interface Timing

Table 2.33 Serial Management Interface

Output load conditions: $V_{OH} = V_{CCQ33} \times 0.5$, $V_{OL1} = V_{CCQ33} \times 0.5$, $C = 30$ pF

| Item | Symbol | min | max | Unit | Test Conditions | |
|------|---|-------------|-----|------|-----------------|-------------|
| MDIO | ETHn_MDC output cycle | t_{MDC} | 80 | — | ns | Figure 2.78 |
| | ETHn_MDIO input setting time (to ETHn_MDC↑) | t_{SMDIO} | 10 | — | ns | |
| | ETHn_MDIO input hold time (to ETHn_MDC↑) | t_{HMDIO} | 0 | — | ns | |
| | ETHn_MDIO output delay time (to ETHn_MDC↓) | t_{DMDIO} | — | 20 | ns | |

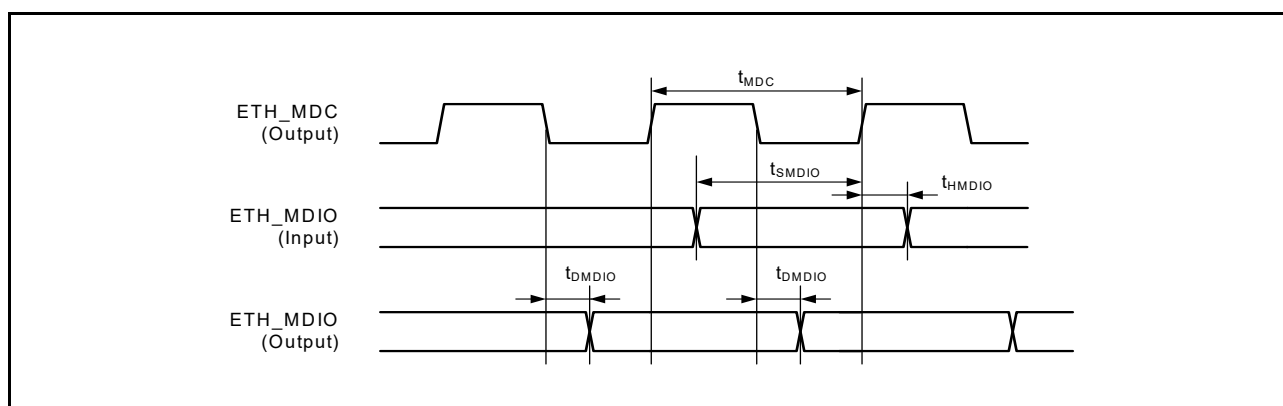
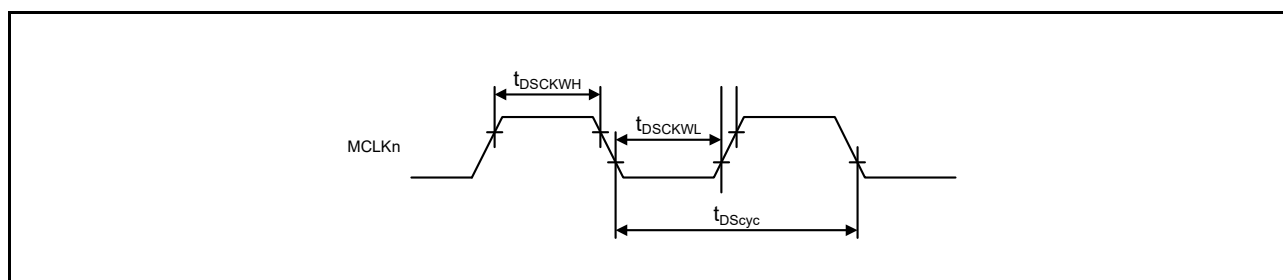
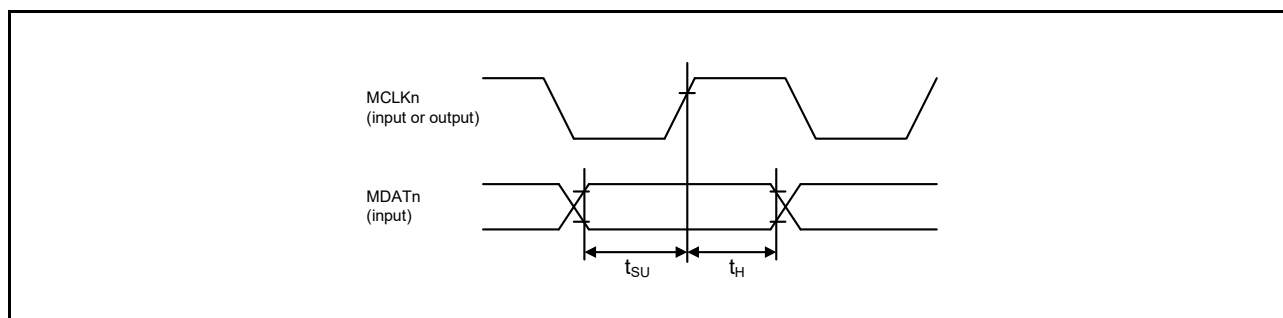


Figure 2.78 Serial Management Access Timing

2.4.5.16 Delta-Sigma Interface Timing

Table 2.34 $\Delta\Sigma$ Interface TimingConditions: $V_{OH} = V_{CCQ33} \times 0.5$, $V_{OL1} = V_{CCQ33} \times 0.5$, $C = 30$ pF

| Item | | Symbol | min | max | Unit | Test Conditions | |
|------------|------------------|----------|--------------|-----|------|-----------------------------|-------------|
| DSMIF | Clock cycle | Master | t_{DScyc} | 1 | 1 | t_{DCcyc} | Figure 2.79 |
| | | Slave | | 40 | 200 | ns | |
| | Clock high level | Master | t_{DSCKWH} | 16 | — | ns | |
| | | Slave | | 16 | — | ns | |
| | Clock low level | Master | t_{DSCKWL} | 16 | — | ns | |
| | | Slave | | 16 | — | ns | |
| Setup time | Master | t_{SU} | 15 | — | ns | Figure 2.80, Figure 2.81 | |
| | Slave | | 10 | — | ns | | |
| Hold time | Master | t_H | 0 | — | ns | | |
| | Slave | | 10 | — | ns | | |

Note: t_{DCcyc} : One cycle time of the $\Delta\Sigma$ interface clock (DSCLK0, DSCLK1)**Figure 2.79** Clock Input/Output Timing**Figure 2.80** Reception Timing (MCLKn Rising Synchronous)

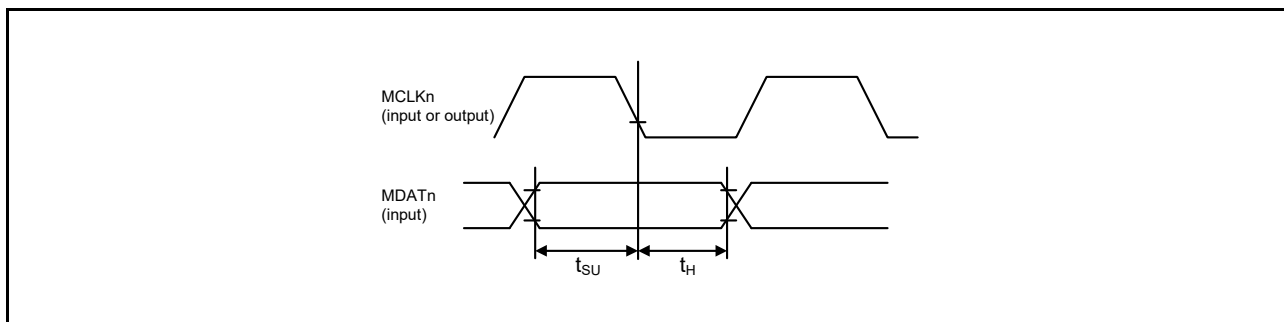


Figure 2.81 Reception Timing (MCLKn Falling Synchronous)

2.5 USB Characteristics

- Conditions: $VDD = PLLVDD0 = PLLVDD1 = DVDD_USB = 1.14$ to 1.26 V,
 $VCCQ33 = AVCC0 = AVCC1 = VREFH0 = VREFH1 = VDD33_USB = 3.0$ to 3.6 V
 $VSS = PLLVSS0 = PLLVSS1 = AVSS0 = AVSS1 = VREFL0 = VREFL1 = VSS_USB = 0$ V,
 $T_j = -40$ to 125 °C

Note: The 176-pin HLQFP does not have pins AVCC1, AVSS1, VREFH1, and VREFL1.

Table 2.35 On-chip USB Full-Speed Characteristics (USB_DP, USB_DM Pin Characteristics)

| Item | Symbol | min | typ | max | Unit | Test Conditions |
|---------------------------|-------------------|-----|-----|--------|------|-------------------|
| Rising time | t_{FR} | 4 | — | 20 | ns | Figure 2.82 |
| Falling time | t_{FF} | 4 | — | 20 | ns | |
| Rising/falling time ratio | t_{FR} / t_{FF} | 90 | — | 111.11 | % | t_{FR} / t_{FF} |

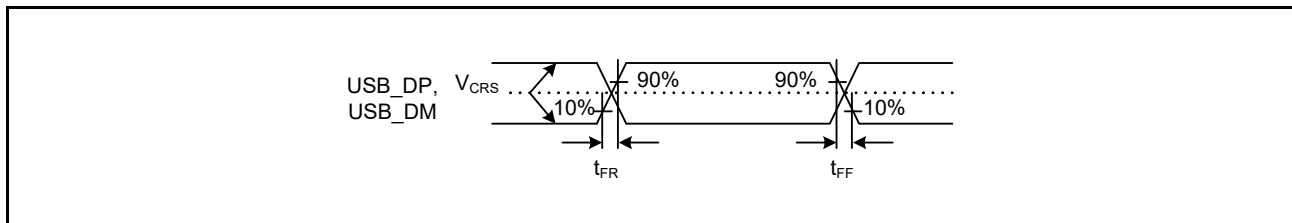


Figure 2.82 USB_DP, USB_DM Output Timing (Full Speed)

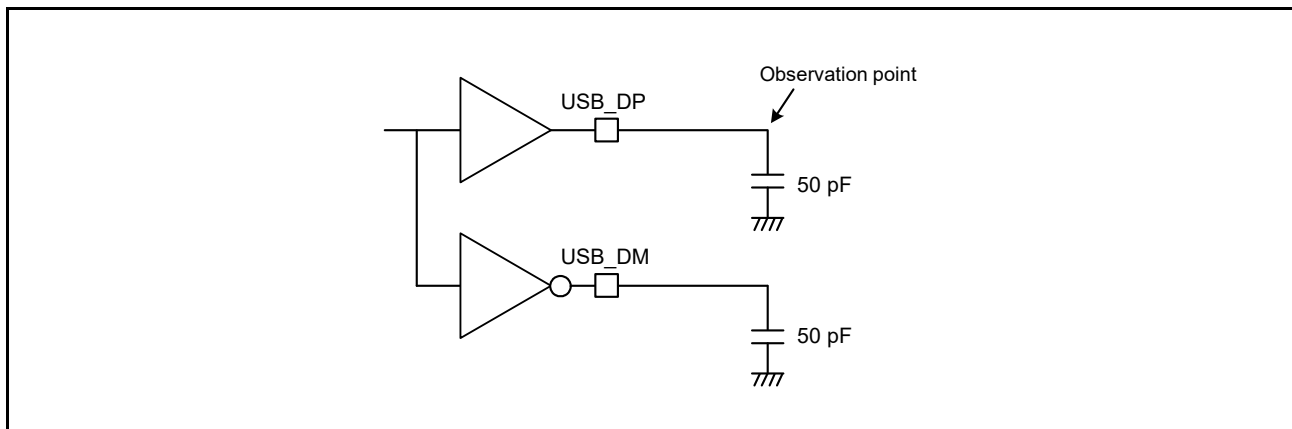


Figure 2.83 Measurement Circuit (Full Speed)

Table 2.36 On-chip USB High-Speed Characteristics (USB_DP, USB_DM Pin Characteristics)

| Item | | Symbol | min | Typ | max | Unit | Test Conditions |
|--------------------|-------------------|-------------|------|-----|------|----------|-----------------|
| AC characteristics | Rising time | t_{HSR} | 500 | — | — | ps | Figure 2.84 |
| | Falling time | t_{HSF} | 500 | — | — | ps | |
| | Output resistance | Z_{HSDRV} | 40.5 | — | 49.5 | Ω | |

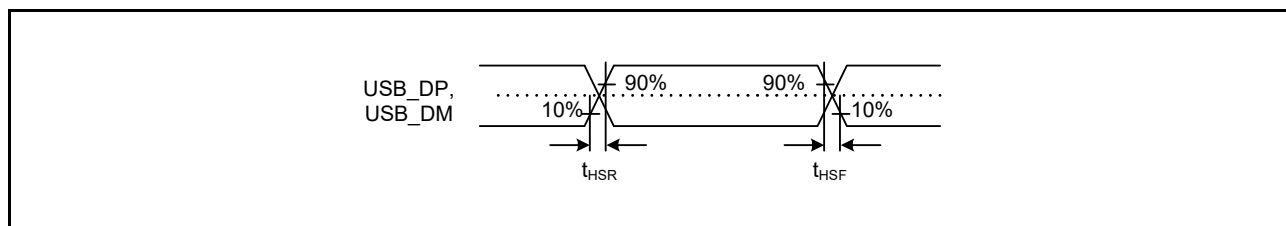


Figure 2.84 USB_DP, USB_DM Output Timing (High Speed)

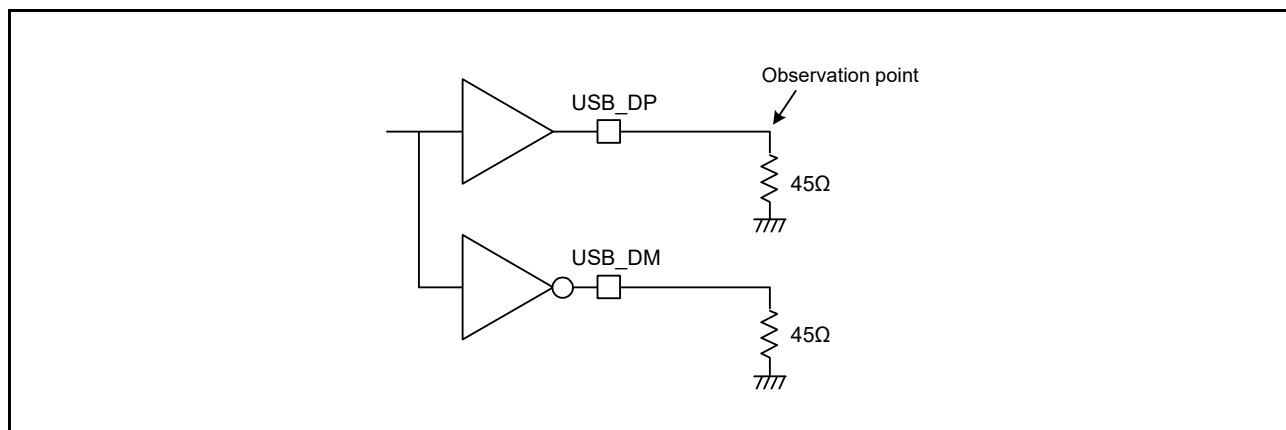


Figure 2.85 Measurement Circuit (High Speed)

2.6 A/D Conversion Characteristics

- Conditions: VDD = PLLVDD0 = PLLVDD1 = DVDD_USB = 1.14 to 1.26 V,
VCCQ33 = AVCC0 = AVCC1 = VREFH0 = VREFH1 = VDD33_USB = 3.0 to 3.6 V
VSS = PLLVSS0 = PLLVSS1 = AVSS0 = AVSS1 = VREFL0 = VREFL1 = VSS_USB = 0 V,
Tj = -40 to 125 °C

Note: The 176-pin HLQFP does not have pins AVCC1, AVSS1, VREFH1, and VREFL1.

Table 2.37 12-Bit A/D (Unit 0) Conversion Characteristics

| Item | | min | typ | max | Unit | Test Conditions |
|--|--|-----------------------------|------------------|------|------|--|
| Resolution | | 8 | — | 12 | Bit | |
| Analog input capacitance | | — | — | 30 | pF | |
| Channel-dedicated sample-and-hold circuits in use (AN000 to AN003) | Conversion time*1 (Operation at PCLKF = 60 MHz) Permissible signal source impedance Max. = 1.0 kΩ | 1.2 (0.4 + 0.4) *2 | — | 3.6 | μs | <ul style="list-style-type: none"> • Sampling of channel-dedicated sample-and-hold circuits in 24 states • Sampling in 24 states |
| When disconnection detection assistance is in use | Offset error | — | — | ±7.5 | LSB | |
| | Full-scale error | — | — | ±7.5 | LSB | |
| | Quantization error | — | ±0.5 | — | LSB | |
| | Absolute accuracy | — | — | ±7.5 | LSB | |
| | DNL differential nonlinearity error | — | — | ±3.0 | LSB | |
| | INL integral nonlinearity error | — | — | ±4.0 | LSB | |
| | Holding characteristics of sample-and-hold circuits | — | — | 3.2 | μs | Self-diagnosis + 4-channel simultaneous sampling |
| Dynamic range | 0.25 | — | VREFH0 – 0.25 | V | | |
| Channel-dedicated sample-and-hold circuits in use (AN000 to AN003) | Conversion time*1 (Operation at PCLKF = 60 MHz) Permissible signal source impedance Max. = 1.0 kΩ | 1.2 (0.4 + 0.4) *2 | — | 3.6 | μs | <ul style="list-style-type: none"> • Sampling of channel-dedicated sample-and-hold circuits in 24 states • Sampling in 24 states |
| When disconnection detection assistance is not in use | Offset error | — | — | ±6.5 | LSB | |
| | Full-scale error | — | — | ±6.5 | LSB | |
| | Quantization error | — | ±0.5 | — | LSB | |
| | Absolute accuracy | — | — | ±6.5 | LSB | |
| | DNL differential nonlinearity error | — | — | ±3.0 | LSB | |
| | INL integral nonlinearity error | — | — | ±4.0 | LSB | |
| | Holding characteristics of sample-and-hold circuits | — | — | 3.2 | μs | Self-diagnosis + 4-channel simultaneous sampling |
| Dynamic range | 0.25 | — | VREFH0 – 0.25 | V | | |
| Channel-dedicated sample-and-hold circuits not in use (AN000 to AN007) | Conversion time*1 (Operation at PCLKF = 60 MHz) Permissible signal source impedance Max. = 1.0 kΩ | 0.483 (0.267)*2 | — | — | μs | Sampling in 16 states |
| | Offset error | — | — | ±5.0 | LSB | |
| | Full-scale error | — | — | ±5.0 | LSB | |
| | Quantization error | — | ±0.5 | — | LSB | |
| | Absolute accuracy | — | — | ±6.0 | LSB | |
| | DNL differential nonlinearity error | — | — | ±2.5 | LSB | |
| | INL integral nonlinearity error | — | — | ±3.0 | LSB | |

Note: The above specified values apply when there is no access to the external bus during A/D conversion. If access proceeds during A/D conversion, values may not fall within the above ranges.

Note 1. The conversion time is the total of the sampling time and the comparison time ($t_{SPLSH} + t_{CONV}$ in Figure 43.31 and Figure 43.32 in section 43, 12-Bit A/D Converter (S12ADCa), in the RZ/T1 Group User's Manual: Hardware). The number of sampling states is indicated for each item in Test Conditions.

Note 2. The value in parentheses indicates the sampling time.

Table 2.38 12-Bit A/D (Unit 1) Conversion Characteristics

| Item | | min | typ | max | Unit | Test Conditions |
|---|---|--------------------|------|------|------|-----------------------|
| Resolution | | 8 | — | 12 | Bit | |
| Conversion time*1 (Operation at PCLKF = 60 MHz) | Permissible signal source impedance Max. = 1.0 kΩ | 0.883 (0.667)*2 | — | — | μs | Sampling in 40 states |
| Analog input capacitance | | — | — | 30 | pF | |
| Offset error | | — | — | ±6.0 | LSB | |
| Full-scale error | | — | — | ±6.0 | LSB | |
| Quantization error | | — | ±0.5 | — | LSB | |
| Absolute accuracy | | — | — | ±6.0 | LSB | |
| DNL differential nonlinearity error | | — | — | ±3.0 | LSB | |
| INL integral nonlinearity error | | — | — | ±4.0 | LSB | |

Note: The above specified values apply when there is no access to the external bus during A/D conversion. If access proceeds during A/D conversion, values may not fall within the above ranges.

Note 1. The conversion time is the total of the sampling time and the comparison time ($t_{SPLSH} + t_{CONV}$ in Figure 43.31 and Figure 43.32 in section 43, 12-Bit A/D Converter (S12ADCa), in the RZ/T1 Group User's Manual: Hardware). The number of sampling states is indicated for each item in Test Conditions.

Note 2. The value in parentheses indicates the sampling time.

2.7 Temperature Sensor Characteristics

- Conditions: VDD = PLLVDD0 = PLLVDD1 = DVDD_USB = 1.14 to 1.26 V,
VCCQ33 = AVCC0 = AVCC1 = VREFH0 = VREFH1 = VDD33_USB = 3.0 to 3.6 V
VSS = PLLVSS0 = PLLVSS1 = AVSS0 = AVSS1 = VREFL0 = VREFL1 = VSS_USB = 0 V,
Tj = -40 to 125 °C

Note: The 176-pin HLQFP does not have pins AVCC1, AVSS1, VREFH1, and VREFL1.

Table 2.39 Temperature Sensor Characteristics

| Item | min | typ | max | Unit | Test Conditions |
|-------------------------------|------|------|-----|-------|---|
| Relative accuracy | — | ±1 | — | °C | |
| Temperature slope | — | 4.1 | — | mV/°C | |
| Output voltage (at 25°C) | — | 1.21 | — | V | |
| Temperature sensor start time | — | — | 30 | μs | |
| Sampling time | 4.25 | — | — | μs | ADSSTR.SST[7:0] = 255 states (when PCLKF [ADC (unit0) sampling CLK] = 60 MHz) |

2.8 Oscillation Stop Detection Timing

Table 2.40 Oscillation Stop Detection Circuit Characteristics

| Item | Symbol | min | typ | max | Unit | Test Conditions |
|----------------------|----------|-----|-----|-----|------|-----------------|
| Clock switching time | t_{dr} | — | — | 1 | ms | Figure 2.86 |

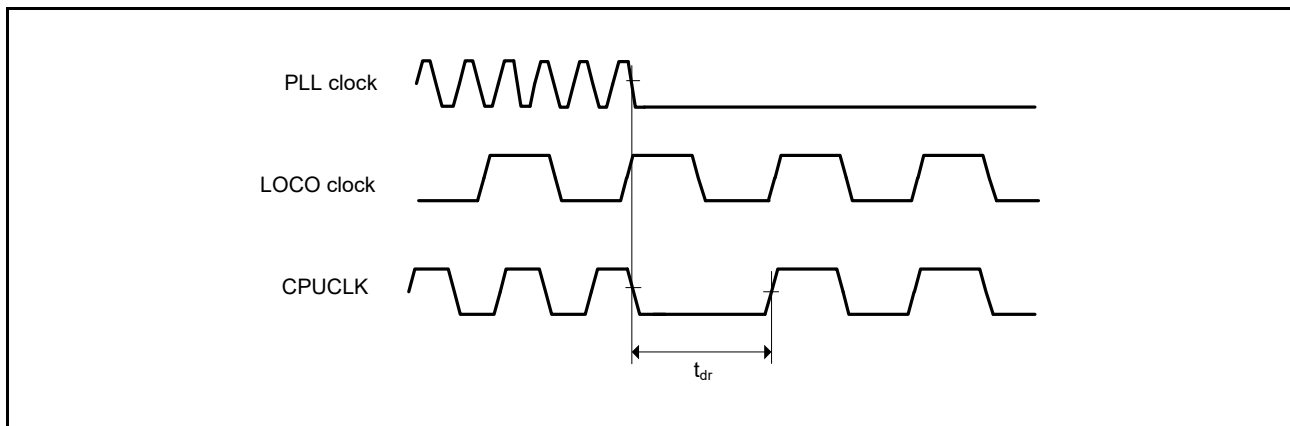


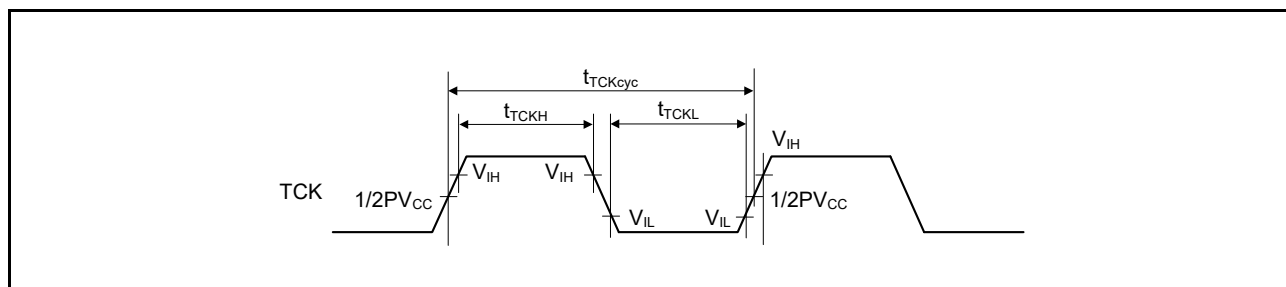
Figure 2.86 Oscillation Stop Detection Timing

2.9 Debug Interface Timing

Table 2.41 Debug Interface Timing

 Output load conditions: $V_{OH} = V_{CCQ33} - 0.5\text{ V}$, $V_{OL1} = 0.4\text{ V}$

| Item | Symbol | Min. | Max. | Unit | Reference Figure |
|-----------------------------|---------------|----------------------------|----------------------------|--------------|--------------------|
| TCK cycle time | t_{TCKcyc} | 30 | — | ns | Figure 2.87 |
| TCK high pulse width | t_{TCKH} | 0.4 | 0.6 | t_{TCKcyc} | |
| TCK low pulse width | t_{TCKL} | 0.4 | 0.6 | t_{TCKcyc} | |
| TDI setup time | t_{TDIS} | 5 | — | ns | Figure 2.88 |
| TDI hold time | t_{TDIH} | 5 | — | ns | Output load: 30 pF |
| TMS/SWDIO setup time | t_{TMSS} | 5 | — | ns | |
| TMS/SWDIO hold time | t_{TMSh} | 5 | — | ns | |
| SWDIO delay time | t_{SWDO} | — | 15 | ns | |
| TDO delay time | t_{TDOD} | — | 15 | ns | |
| Capture register setup time | t_{CAPTS} | 5 | — | ns | Figure 2.89 |
| Capture register hold time | t_{CAPTH} | 5 | — | ns | |
| Update register delay time | $t_{UPDATED}$ | — | 15 | ns | |
| Trace clock cycle | t_{TCYC} | 26.6 | — | ns | Figure 2.90 |
| Trace data delay time | t_{TDT} | $0.25 \times t_{TCYC} - 2$ | $0.25 \times t_{TCYC} + 2$ | ns | Output load: 15 pF |


Figure 2.87 TCK Input Timing

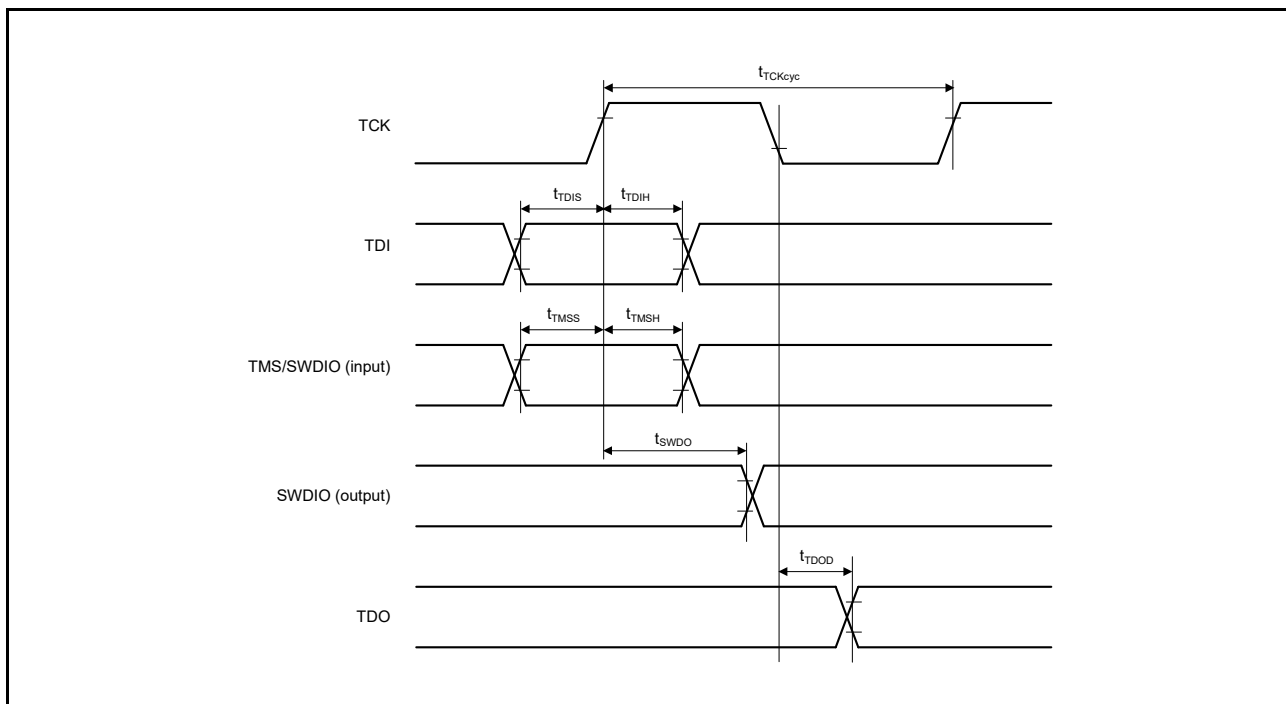


Figure 2.88 Data Transfer Timing

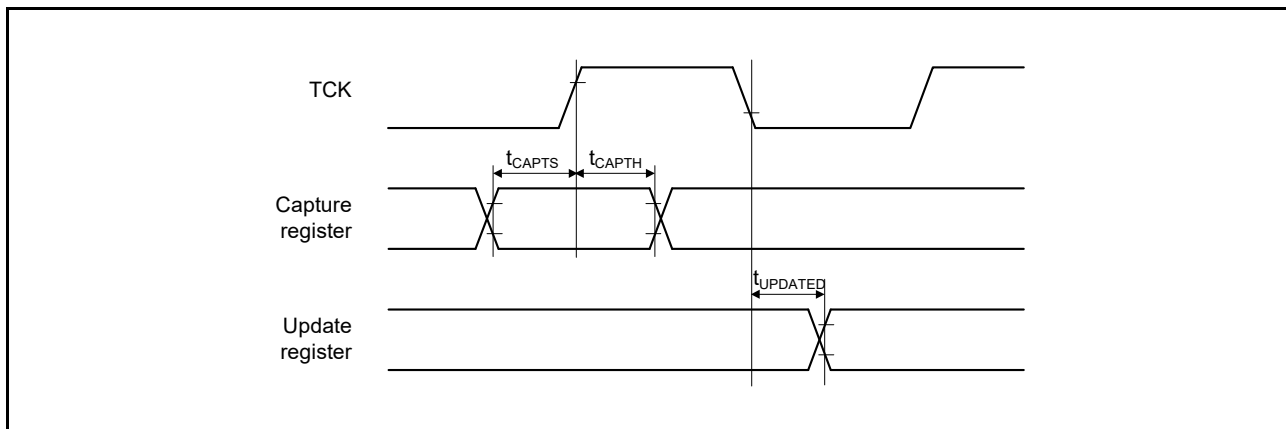


Figure 2.89 Boundary Scan Input/Output Timing

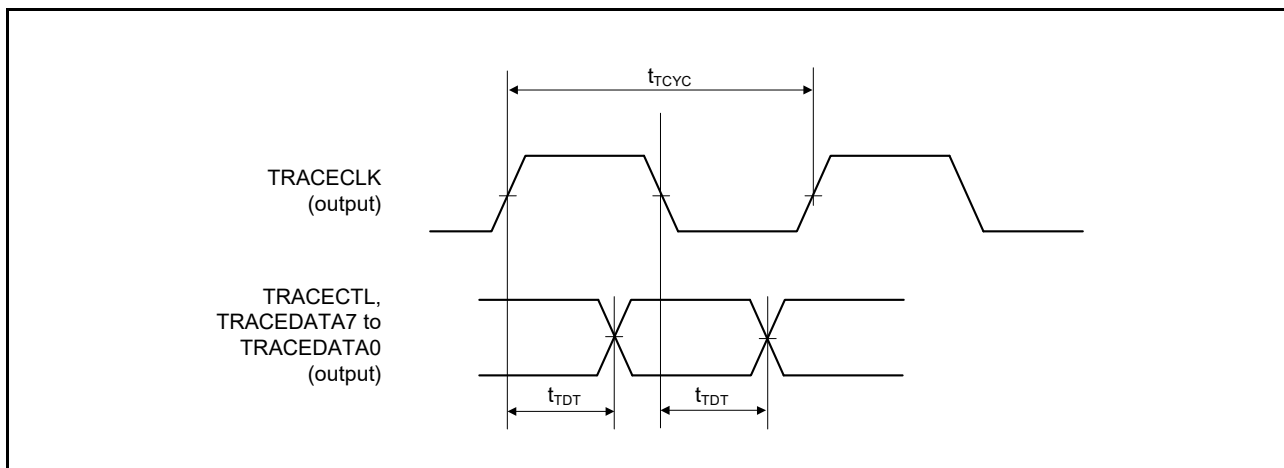


Figure 2.90 Trace Interface Timing

| REVISION HISTORY | | RZ/T1 Group Datasheet | |
|------------------|---|-------------------------------|--|
| Rev. | Date | Description | |
| | | Page | Summary |
| 0.60 | Nov. 14, 2014 | — | First edition, issued |
| 0.70 | Dec. 25, 2014 | Features | |
| | | 1 | ■ Operating temperature range: Heading title and description corrected |
| | | Section 1 Overview | |
| | | 11 | Table 1.3 List of Products (2 / 2): Note corrected |
| | | 21 | Figure 1.3 Pin Arrangement (176-pin HLQFP): The names of pins 33, 34, 38, 39, and 91, corrected |
| | | 26 | Table 1.5 Pin Assignments (320-Pin FBGA) (5 / 8): The names of pins M20 and P19, corrected |
| | | 27 | Table 1.5 Pin Assignments (320-Pin FBGA) (6 / 8): The names of pins R14, R19, R20, T9, V7, and V8, corrected |
| | | 29 | Table 1.5 Pin Assignments (320-Pin FBGA) (8 / 8): The names of pins Y16 and Y17, corrected |
| | | 30 | Table 1.6 Pin Assignments (176-Pin HLQFP) (1 / 4): The names of pins 33, 34, 38, and 39, corrected |
| | | 31 | Table 1.6 Pin Assignments (176-Pin HLQFP) (2 / 4): The names of pins 58, 59, 60, 79, 82, and 83, corrected |
| | | 32 | Table 1.6 Pin Assignments (176-Pin HLQFP) (3 / 4): The names of pins 91 and 110, corrected |
| | | 33 | Table 1.6 Pin Assignments (176-Pin HLQFP) (4 / 4): The names of pins 136, 153, 154, 155, 156, and 157, corrected |
| | | 39 | Table 1.7 List of Pin and Pin Functions (320-Pin FBGA) (6 / 10): The name of pin M20, corrected |
| | | 40 | Table 1.7 List of Pin and Pin Functions (320-Pin FBGA) (7 / 10): The names of pins P19, R8, and R14, corrected |
| | | 41 | Table 1.7 List of Pin and Pin Functions (320-Pin FBGA) (8 / 10): The names of pins R19, R20, T9, V7, and V8, corrected |
| 42 | Table 1.7 List of Pin and Pin Functions (320-Pin FBGA) (9 / 10): The names of pins Y16 and Y17, corrected | | |
| 1.10 | Jul. 08, 2016 | Feature | |
| | | 1 | Wholly amended |
| | | 1. Overview | |
| | | 2 to 49 | Wholly amended |
| | | 2. Electrical Characteristics | |
| 50 to 129 | Newly added | | |
| 1.20 | Mar. 02, 2017 | 1. Overview | |
| | | 9 | Table 1.2 Comparison of Functions for Different Packages: Functions of ETHERC and ECATC, modified. Note 1 added. |
| | | 12 | Figure 1.1 Block Diagram: Functional blocks of ECATC and ETHERC, modified. Note 1 modified. |
| | | 20 | Figure 1.2 Pin Arrangement (320-Pin FBGA) (Top View): Pin ERROROUT#, modified |
| | | 2. Electrical Characteristics | |
| | | 53 | Table 2.3 DC Characteristics (2) [Power Supply] Test conditions, modified: Product part no. added |
| | | 55 | Table 2.4 DC Characteristics (3) [Except for USB2.0 Host/Function-Related Pins] Item modified: "Input pull-up MOS current and resistance" and "Input pull-down MOS current and resistance" R _{pu1} , R _{pu2} , R _{pd1} , and R _{pd2} were added. Test conditions for "Input pull-down MOS current and resistance" were modified. |
| 58 | Table 2.10 Operating Frequency: Notes 1 to 3, added. The max. value of the CPU clock (CPUCLK), modified. | | |

| Rev. | Date | Description | |
|------|---------------|-------------------------------|---|
| | | Page | Summary |
| 1.30 | Apr. 25, 2017 | 1. Overview | |
| | | 49 | Table 1.8 List of Pin and Pin Functions (176-Pin HLQFP) (6/6): The communication function of pin 171, modified |
| | | 2. Electrical Characteristics | |
| | | 107 | Figure 2.60 SPIBSC Transmit/Receive Timing (CPHAT = 0, CPHAR = 1): Modified |
| 1.40 | Nov. 15, 2017 | All | Cortex-R4F changed to Cortex-R4 |
| | | Features | |
| | | 1 | <ul style="list-style-type: none"> ■ Encoder interfaces, changed ■ Various communications interfaces: Features of Ethernet changed |
| | | 1. Overview | |
| | | 2 | 1.1 Outline of Specifications: "Cortex®-R4F processor" changed to "Cortex®-R4 processor with FPU" |
| | | 8 | Table 1.1 Outline of Specifications (7 / 7): Description of the encoder interfaces changed |
| | | 16 | Table 1.4 Pin Functions (4 / 7): CTS0# to CTS4#: I/O and functional description changed; RTS0# to RTS4#: Functional description changed |
| | | 19 | Table 1.4 Pin Functions (7 / 7): ENCIF07 to ENCIF12 changed to ENCIF00 to ENCIF12 |
| | | 22 | Table 1.5 Pin Assignments (320-Pin FBGA) (1 / 8): ENCIF12 added to B19; ENCIF11 added to B20 |
| | | 23 | Table 1.5 Pin Assignments (320-Pin FBGA) (2 / 8): ENCIF10 added to C19; ENCIF09 added to D19; ENCIF08 added to E19 |
| | | 24 | Table 1.5 Pin Assignments (320-Pin FBGA) (3 / 8): ENCIF11 added to H19; ENCIF12 added to H20 |
| | | 25 | Table 1.5 Pin Assignments (320-Pin FBGA) (4 / 8): ENCIF10 added to J19 |
| | | 26 | Table 1.5 Pin Assignments (320-Pin FBGA) (5 / 8): ENCIF09 added to N20; ENCIF08 added to P20 |
| | | 27 | Table 1.5 Pin Assignments (320-Pin FBGA) (6 / 8): ENCIF09 added to U3 |
| | | 28 | Table 1.5 Pin Assignments (320-Pin FBGA) (7 / 8): ENCIF10 added to W3; ENCIF11 added to W4; ENCIF08 added to W10; ENCIF12 added to Y4 |
| | | 35 | Table 1.7 List of Pin and Pin Functions (320-Pin FBGA) (2 / 10): ENCIF12 added to B19 under "Others"; ENCIF11 added to B20 under "Others" |
| | | 36 | Table 1.7 List of Pin and Pin Functions (320-Pin FBGA) (3 / 10): ENCIF10 added to C19 under "Others"; ENCIF09 added to D19 under "Others"; ENCIF08 added to E19 under "Others" |
| | | 38 | Table 1.7 List of Pin and Pin Functions (320-Pin FBGA) (5 / 10): ENCIF11 added to H19 under "Others"; ENCIF12 added to H20 under "Others"; ENCIF10 added to J19 under "Others" |
| | | 40 | Table 1.7 List of Pin and Pin Functions (320-Pin FBGA) (7 / 10): ENCIF09 added to N20 under "Others"; ENCIF08 added to P20 under "Others" |
| | | 41 | Table 1.7 List of Pin and Pin Functions (320-Pin FBGA) (8 / 10): ENCIF09 added to U3 under "Others" |
| | | 42 | Table 1.7 List of Pin and Pin Functions (320-Pin FBGA) (9 / 10): ENCIF10 added to W3 under "Others"; ENCIF11 added to W4 under "Others"; ENCIF08 added to W10 under "Others"; ENCIF12 added to Y4 |
| | | 2. Electrical Characteristics | |
| | | 65, 66 | Table 2.17 Bus Timing: "CKIO = 75MHz" changed to "CKIO = 1/tCKcyc; "tcyc" changed to "tCKcyc"; entries for "Address delay time 1", "CS# delay time 1", "Read/write delay time 1", "Read data setup time 1 to 3" and "WAIT# setup time" changed; Notes 1, 3, and 4 changed |
| | | 102 | Table 2.27 RSPIa Timing: Note 2 changed (SSLND → SPCKD); Note 3 added |
| | | 111 | Figure 2.64 IICa Bus Interface Input/Output Timing: SDA0 to SDA3 and SCL0 to SCL3 deleted |

| Rev. | Date | Description | |
|------|--|-------------|--|
| | | Page | Summary |
| 1.40 | Jan. 19, 2018 | All | Cortex-R4F changed to Cortex-R4 |
| | | | Terms corrected (Ether Switch → Ethernet switch; Ether Mac → Ethernet Mac; Ether PHY → Ethernet PHY; Ether clock(s) → Ethernet clock(s); receive buffer(s) → reception buffer(s); transmit buffer(s) → transmission buffer(s); transmit/receive buffer(s) → transmission/reception buffer(s); transmit mode → transmission mode; receive mode → reception mode; compare match counter (CMCNT) → compare match timer counter (CMCNT); compare match constant register (CMCOR) → compare match timer constant register (CMCOR); low active → active low; high active → active high; valley → trough) |
| | | | Features |
| | | 1 | <ul style="list-style-type: none"> ■ Encoder interfaces, changed ■ Various communications interfaces: Features of Ethernet changed |
| | | | 1. Overview |
| | | 2 | 1.1 Outline of Specifications: "Cortex®-R4F processor" changed to "Cortex®-R4 processor with FPU" |
| | | 2 | Table 1.1 Outline of Specifications (1 / 7): Registered trademark symbol added to "Thumb"; description of "Clock" changed |
| | | 8 | Table 1.1 Outline of Specifications (7 / 7): Description of the encoder interfaces changed |
| | | 16 | Table 1.4 Pin Functions (4 / 7): CTS0# to CTS4#: I/O and functional description changed; RTS0# to RTS4#: Functional description changed |
| | | 19 | Table 1.4 Pin Functions (7 / 7): ENCIF07 to ENCIF12 changed to ENCIF00 to ENCIF12 |
| | | 22 | Table 1.5 Pin Assignments (320-Pin FBGA) (1 / 8): ENCIF12 added to B19; ENCIF11 added to B20 |
| | | 23 | Table 1.5 Pin Assignments (320-Pin FBGA) (2 / 8): ENCIF10 added to C19; ENCIF09 added to D19; ENCIF08 added to E19 |
| | | 24 | Table 1.5 Pin Assignments (320-Pin FBGA) (3 / 8): ENCIF11 added to H19; ENCIF12 added to H20 |
| | | 25 | Table 1.5 Pin Assignments (320-Pin FBGA) (4 / 8): ENCIF10 added to J19 |
| | | 26 | Table 1.5 Pin Assignments (320-Pin FBGA) (5 / 8): ENCIF09 added to N20; ENCIF08 added to P20 |
| | | 27 | Table 1.5 Pin Assignments (320-Pin FBGA) (6 / 8): ENCIF09 added to U3 |
| | | 28 | Table 1.5 Pin Assignments (320-Pin FBGA) (7 / 8): ENCIF10 added to W3; ENCIF11 added to W4; ENCIF08 added to W10; ENCIF12 added to Y4 |
| | | 35 | Table 1.7 List of Pin and Pin Functions (320-Pin FBGA) (2 / 10): ENCIF12 added to B19 under "Others"; ENCIF11 added to B20 under "Others" |
| | | 36 | Table 1.7 List of Pin and Pin Functions (320-Pin FBGA) (3 / 10): ENCIF10 added to C19 under "Others"; ENCIF09 added to D19 under "Others"; ENCIF08 added to E19 under "Others" |
| | | 38 | Table 1.7 List of Pin and Pin Functions (320-Pin FBGA) (5 / 10): ENCIF11 added to H19 under "Others"; ENCIF12 added to H20 under "Others"; ENCIF10 added to J19 under "Others" |
| | | 40 | Table 1.7 List of Pin and Pin Functions (320-Pin FBGA) (7 / 10): ENCIF09 added to N20 under "Others"; ENCIF08 added to P20 under "Others" |
| | | 41 | Table 1.7 List of Pin and Pin Functions (320-Pin FBGA) (8 / 10): ENCIF09 added to U3 under "Others" |
| | | 42 | Table 1.7 List of Pin and Pin Functions (320-Pin FBGA) (9 / 10): ENCIF10 added to W3 under "Others"; ENCIF11 added to W4 under "Others"; ENCIF08 added to W10 under "Others"; ENCIF12 added to Y4 |
| | | | 2. Electrical Characteristics |
| | | 54 | Table 2.3 DC Characteristics (2) [Power Supply]: Entries added to the "300MHz" row of VDD |
| | | 65, 66 | Table 2.17 Bus Timing: "CKIO = 75MHz" changed to "CKIO = 1/tCKcyc"; "t _{cy} " changed to "t _{CKcyc} "; entries for "Address delay time 1", "CS# delay time 1", "Read/write delay time 1", "Read data setup time 1 to 3" and "WAIT# setup time" changed; Notes 1, 3, and 4 changed |
| | | 102 | Table 2.27 RSPIa Timing: Note 2 changed (SSLND → SPCKD); Note 3 added |
| 111 | Figure 2.64 RIICa Bus Interface Input/Output Timing: SDA0 to SDA3 and SCL0 to SCL3 deleted | | |

| Rev. | Date | Description | |
|------|---------------|-------------------------------|---|
| | | Page | Summary |
| 1.50 | Dec. 26, 2018 | All | The company name, modified (ARM → Arm) |
| | | Features | |
| | | 1 | ■ Encoder interfaces (optional): The descriptions and related note 4, added |
| | | Section 1 Overview | |
| | | 2 | Table 1.1 Outline of Specifications (1/7): Central processing unit (Cortex-M3): The architecture type, corrected (Arm v7-R architecture → Arm v7-M architecture) |
| | | 2 | Table 1.1 Outline of Specifications (1/7): On-chip extended SRAM with ECC: The entry "Operating frequency", added |
| | | 2 | Table 1.1 Outline of Specifications (1/7): Operating modes: The description, modified |
| | | 3 | Table 1.1 Outline of Specifications (2/7): DMAC: Activation sources, modified |
| | | 3 | Table 1.1 Outline of Specifications (2/7): ELC: The number of event signals, modified |
| | | 4 | Table 1.1 Outline of Specifications (3/7): TPUa: The descriptions for pulse input/output, PWM mode, PPG output trigger, event linking, modified |
| | | 4 | Table 1.1 Outline of Specifications (3/7): MTU3a: The number of counter-input clock signals, modified; the feature "automatic transfer of register data", deleted; the description of phase-counting mode, modified |
| | | 5 | Table 1.1 Outline of Specifications (4/7): CMT: Event linking, modified |
| | | 5 | Table 1.1 Outline of Specifications (4/7): POE3: Pin names, corrected |
| | | 6 | Table 1.1 Outline of Specifications (5/7): ETHERC: The description in relation with "1 port", modified |
| | | 7 | Table 1.1 Outline of Specifications (6/7): SSI: "programmable word clock", deleted from the clock to be generated |
| | | 7 | Table 1.1 Outline of Specifications (6/7): DSMIF: The description in relation with channel, modified |
| | | 8 | Table 1.1 Outline of Specifications (7/7): Encoder interfaces: The number of channels and note 6, added |
| | | 12 | Figure 1.1 Block Diagram: The number of channels of MTU3a and DSMIF, modified |
| | | 14 | Table 1.4 Pin Functions (2/7): Pin names, modified (A0 to A25 → A25 to A0, D0 to D31 → D31 to D0); the "Description" column for RAS# and CAS#, modified |
| | | 15 | Table 1.4 Pin Functions (3/7): The "Description" column for MTIOC8A to MTIOC8D and for GPTa, modified |
| | | 16 | Table 1.4 Pin Functions (4/7): The "Description" column for each TPUa pin, modified |
| | | 17 | Table 1.4 Pin Functions (5/7): Ethernet controller (ETHERC): ETH0_RXC, ETH1_RXC, ETH2_RXC: The "I/O" and "Description" columns, modified (I/O → Input, Receive clock I/O pins → Receive clock input pins) |
| | | 18 | Table 1.4 Pin Functions (6/7): The AUDIO_CLK pin, added |
| | | 2. Electrical Characteristics | |
| | | 51 | Figure 2.1 Power On/Off Sequence: "Timing" table: "—" was added to the "Value (typ)" column for Nos (3), (4), and (5). |
| | | 53 | Table 2.3 DC Characteristics (2) [Power Supply] (1 / 2): V _{lcc} when VDD is 300 MHz in normal operation, modified |
| | | 56 | Table 2.5 DC Characteristics (4) [USB2.0 USB_RREF Pin]: The "min" column, modified (200Ω ±1% → 200 ±1%); the "Ω" in the "Unit" column, added |
| | | 60 | Table 2.12 CLKOUT25Mn Timing, modified (CLKOUT25Mn (RMII): T _{ck} → T _{ck1} , CLKOUT25Mn (MII): T _{ck} → T _{ck2}) |
| | | 60 | Figure 2.3 CLKOUT25Mn Pin Output Timing 1: Symbols, modified |
| | | 60 | Figure 2.4 CLKOUT25Mn Pin Output Timing 2: Symbols, modified |
| | | 61 | Table 2.13 EXTAL Clock Timing: Time value, modified (40.00 + 50 ppm → 40.00 ± 50 ppm) |
| | | 61 | Table 2.14 XTAL Clock Timing: Time value, modified (40.00 + 50 ppm → 40.00 ± 50 ppm) |
| | | 98 | Table 2.24 GPTa Timing: The symbol, modified (T _{OTETW} → t _{GTEW}) |
| | | 102 | Table 2.27 RSPIa Timing: Note 4, added |

General Precautions in the Handling of Microprocessing Unit and Microcontroller Unit Products

The following usage notes are applicable to all Microprocessing unit and Microcontroller unit products from Renesas. For detailed usage notes on the products covered by this document, refer to the relevant sections of the document as well as any technical updates that have been issued for the products.

1. Handling of Unused Pins

Handle unused pins in accordance with the directions given under Handling of Unused Pins in the manual.

- The input pins of CMOS products are generally in the high-impedance state. In operation with an unused pin in the open-circuit state, extra electromagnetic noise is induced in the vicinity of LSI, an associated shoot-through current flows internally, and malfunctions occur due to the false recognition of the pin state as an input signal become possible. Unused pins should be handled as described under Handling of Unused Pins in the manual.

2. Processing at Power-on

The state of the product is undefined at the moment when power is supplied.

- The states of internal circuits in the LSI are indeterminate and the states of register settings and pins are undefined at the moment when power is supplied.

In a finished product where the reset signal is applied to the external reset pin, the states of pins are not guaranteed from the moment when power is supplied until the reset process is completed. In a similar way, the states of pins in a product that is reset by an on-chip power-on reset function are not guaranteed from the moment when power is supplied until the power reaches the level at which resetting has been specified.

3. Prohibition of Access to Reserved Addresses

Access to reserved addresses is prohibited.

- The reserved addresses are provided for the possible future expansion of functions. Do not access these addresses; the correct operation of LSI is not guaranteed if they are accessed.

4. Clock Signals

After applying a reset, only release the reset line after the operating clock signal has become stable.

When switching the clock signal during program execution, wait until the target clock signal has stabilized.

- When the clock signal is generated with an external resonator (or from an external oscillator) during a reset, ensure that the reset line is only released after full stabilization of the clock signal. Moreover, when switching to a clock signal produced with an external resonator (or by an external oscillator) while program execution is in progress, wait until the target clock signal is stable.

5. Differences between Products

Before changing from one product to another, i.e. to a product with a different part number, confirm that the change will not lead to problems.

- The characteristics of Microprocessing unit or Microcontroller unit products in the same group but having a different part number may differ in terms of the internal memory capacity, layout pattern, and other factors, which can affect the ranges of electrical characteristics, such as characteristic values, operating margins, immunity to noise, and amount of radiated noise. When changing to a product with a different part number, implement a system-evaluation test for the given product.

Notice

1. Descriptions of circuits, software and other related information in this document are provided only to illustrate the operation of semiconductor products and application examples. You are fully responsible for the incorporation or any other use of the circuits, software, and information in the design of your product or system. Renesas Electronics disclaims any and all liability for any losses and damages incurred by you or third parties arising from the use of these circuits, software, or information.
2. Renesas Electronics hereby expressly disclaims any warranties against and liability for infringement or any other claims involving patents, copyrights, or other intellectual property rights of third parties, by or arising from the use of Renesas Electronics products or technical information described in this document, including but not limited to, the product data, drawings, charts, programs, algorithms, and application examples.
3. No license, express, implied or otherwise, is granted hereby under any patents, copyrights or other intellectual property rights of Renesas Electronics or others.
4. You shall not alter, modify, copy, or reverse engineer any Renesas Electronics product, whether in whole or in part. Renesas Electronics disclaims any and all liability for any losses or damages incurred by you or third parties arising from such alteration, modification, copying or reverse engineering.
5. Renesas Electronics products are classified according to the following two quality grades: "Standard" and "High Quality". The intended applications for each Renesas Electronics product depends on the product's quality grade, as indicated below.
"Standard": Computers; office equipment; communications equipment; test and measurement equipment; audio and visual equipment; home electronic appliances; machine tools; personal electronic equipment; industrial robots; etc.
"High Quality": Transportation equipment (automobiles, trains, ships, etc.); traffic control (traffic lights); large-scale communication equipment; key financial terminal systems; safety control equipment; etc.
Unless expressly designated as a high reliability product or a product for harsh environments in a Renesas Electronics data sheet or other Renesas Electronics document, Renesas Electronics products are not intended or authorized for use in products or systems that may pose a direct threat to human life or bodily injury (artificial life support devices or systems; surgical implantations; etc.), or may cause serious property damage (space system; undersea repeaters; nuclear power control systems; aircraft control systems; key plant systems; military equipment; etc.). Renesas Electronics disclaims any and all liability for any damages or losses incurred by you or any third parties arising from the use of any Renesas Electronics product that is inconsistent with any Renesas Electronics data sheet, user's manual or other Renesas Electronics document.
6. When using Renesas Electronics products, refer to the latest product information (data sheets, user's manuals, application notes, "General Notes for Handling and Using Semiconductor Devices" in the reliability handbook, etc.), and ensure that usage conditions are within the ranges specified by Renesas Electronics with respect to maximum ratings, operating power supply voltage range, heat dissipation characteristics, installation, etc. Renesas Electronics disclaims any and all liability for any malfunctions, failure or accident arising out of the use of Renesas Electronics products outside of such specified ranges.
7. Although Renesas Electronics endeavors to improve the quality and reliability of Renesas Electronics products, semiconductor products have specific characteristics, such as the occurrence of failure at a certain rate and malfunctions under certain use conditions. Unless designated as a high reliability product or a product for harsh environments in a Renesas Electronics data sheet or other Renesas Electronics document, Renesas Electronics products are not subject to radiation resistance design. You are responsible for implementing safety measures to guard against the possibility of bodily injury, injury or damage caused by fire, and/or danger to the public in the event of a failure or malfunction of Renesas Electronics products, such as safety design for hardware and software, including but not limited to redundancy, fire control and malfunction prevention, appropriate treatment for aging degradation or any other appropriate measures. Because the evaluation of microcomputer software alone is very difficult and impractical, you are responsible for evaluating the safety of the final products or systems manufactured by you.
8. Please contact a Renesas Electronics sales office for details as to environmental matters such as the environmental compatibility of each Renesas Electronics product. You are responsible for carefully and sufficiently investigating applicable laws and regulations that regulate the inclusion or use of controlled substances, including without limitation, the EU RoHS Directive, and using Renesas Electronics products in compliance with all these applicable laws and regulations. Renesas Electronics disclaims any and all liability for damages or losses occurring as a result of your noncompliance with applicable laws and regulations.
9. Renesas Electronics products and technologies shall not be used for or incorporated into any products or systems whose manufacture, use, or sale is prohibited under any applicable domestic or foreign laws or regulations. You shall comply with any applicable export control laws and regulations promulgated and administered by the governments of any countries asserting jurisdiction over the parties or transactions.
10. It is the responsibility of the buyer or distributor of Renesas Electronics products, or any other party who distributes, disposes of, or otherwise sells or transfers the product to a third party, to notify such third party in advance of the contents and conditions set forth in this document.
11. This document shall not be reprinted, reproduced or duplicated in any form, in whole or in part, without prior written consent of Renesas Electronics.
12. Please contact a Renesas Electronics sales office if you have any questions regarding the information contained in this document or Renesas Electronics products.

(Note 1) "Renesas Electronics" as used in this document means Renesas Electronics Corporation and also includes its directly or indirectly controlled subsidiaries.

(Note 2) "Renesas Electronics product(s)" means any product developed or manufactured by or for Renesas Electronics.

(Rev.4.0-1 November 2017)



SALES OFFICES

Renesas Electronics Corporation

<http://www.renesas.com>

Refer to "<http://www.renesas.com/>" for the latest and detailed information.

Renesas Electronics Corporation

TOYOSU FORESIA, 3-2-24 Toyosu, Koto-ku, Tokyo 135-0061, Japan

Renesas Electronics America Inc.

1001 Murphy Ranch Road, Milpitas, CA 95035, U.S.A.
Tel: +1-408-432-8888, Fax: +1-408-434-5351

Renesas Electronics Canada Limited

9251 Yonge Street, Suite 8309 Richmond Hill, Ontario Canada L4C 9T3
Tel: +1-905-237-2004

Renesas Electronics Europe Limited

Dukes Meadow, Millboard Road, Bourne End, Buckinghamshire, SL8 5FH, U.K.
Tel: +44-1628-651-700

Renesas Electronics Europe GmbH

Arcadiastrasse 10, 40472 Düsseldorf, Germany
Tel: +49-211-6503-0, Fax: +49-211-6503-1327

Renesas Electronics (China) Co., Ltd.

Room 1709 Quantum Plaza, No.27 ZhichunLu, Haidian District, Beijing, 100191 P. R. China
Tel: +86-10-8235-1155, Fax: +86-10-8235-7679

Renesas Electronics (Shanghai) Co., Ltd.

Unit 301, Tower A, Central Towers, 555 Langao Road, Putuo District, Shanghai, 200333 P. R. China
Tel: +86-21-2226-0888, Fax: +86-21-2226-0999

Renesas Electronics Hong Kong Limited

Unit 1601-1611, 16/F., Tower 2, Grand Century Place, 193 Prince Edward Road West, Mongkok, Kowloon, Hong Kong
Tel: +852-2265-6688, Fax: +852-2886-9022

Renesas Electronics Taiwan Co., Ltd.

13F, No. 363, Fu Shing North Road, Taipei 10543, Taiwan
Tel: +886-2-8175-9600, Fax: +886-2-8175-9670

Renesas Electronics Singapore Pte. Ltd.

80 Bendemeer Road, Unit #06-02 Hyflux Innovation Centre, Singapore 339949
Tel: +65-6213-0200, Fax: +65-6213-0300

Renesas Electronics Malaysia Sdn.Bhd.

Unit 1207, Block B, Menara Amcorp, Amcorp Trade Centre, No. 18, Jln Persiaran Barat, 46050 Petaling Jaya, Selangor Darul Ehsan, Malaysia
Tel: +60-3-7955-9390, Fax: +60-3-7955-9510

Renesas Electronics India Pvt. Ltd.

No.777C, 100 Feet Road, HAL 2nd Stage, Indiranagar, Bangalore 560 038, India
Tel: +91-80-67208700, Fax: +91-80-67208777

Renesas Electronics Korea Co., Ltd.

17F, KAMCO Yangjae Tower, 262, Gangnam-daero, Gangnam-gu, Seoul, 06265 Korea
Tel: +82-2-558-3737, Fax: +82-2-558-5338

Mouser Electronics

Authorized Distributor

Click to View Pricing, Inventory, Delivery & Lifecycle Information:

Renesas Electronics:

[R7S910006CBG#AC0](#) [R7S910001CFP#AA0](#) [R7S910025CBG#AC0](#) [R7S910007CBG#AC0](#) [R7S910017CBG#AC0](#)
[R7S910018CBG#AC0](#) [R7S910027CBG#AC0](#) [R7S910016CBG#AC0](#) [R7S910015CBG#AC0](#) [R7S910026CBG#AC0](#)
[R7S910013CBG#AC0](#) [R7S910011CBG#AC0](#) [R7S910028CBG#AC0](#) [R7S910002CBG#AC0](#) [R7S910035CBG#AC0](#)
[R7S910036CBG#AC0](#)

Компания «Life Electronics» занимается поставками электронных компонентов импортного и отечественного производства от производителей и со складов крупных дистрибьюторов Европы, Америки и Азии.

С конца 2013 года компания активно расширяет линейку поставок компонентов по направлению коаксиальный кабель, кварцевые генераторы и конденсаторы (керамические, пленочные, электролитические), за счёт заключения дистрибьюторских договоров

Мы предлагаем:

- Конкуренеспособные цены и скидки постоянным клиентам.
- Специальные условия для постоянных клиентов.
- Подбор аналогов.
- Поставку компонентов в любых объемах, удовлетворяющих вашим потребностям.
- Приемлемые сроки поставки, возможна ускоренная поставка.
- Доставку товара в любую точку России и стран СНГ.
- Комплексную поставку.
- Работу по проектам и поставку образцов.
- Формирование склада под заказчика.
- Сертификаты соответствия на поставляемую продукцию (по желанию клиента).
- Тестирование поставляемой продукции.
- Поставку компонентов, требующих военную и космическую приемку.
- Входной контроль качества.
- Наличие сертификата ISO.

В составе нашей компании организован Конструкторский отдел, призванный помогать разработчикам, и инженерам.

Конструкторский отдел помогает осуществить:

- Регистрацию проекта у производителя компонентов.
- Техническую поддержку проекта.
- Защиту от снятия компонента с производства.
- Оценку стоимости проекта по компонентам.
- Изготовление тестовой платы монтаж и пусконаладочные работы.



Тел: +7 (812) 336 43 04 (многоканальный)

Email: org@lifeelectronics.ru