



# Low-Voltage, 60Ω, 4:1 Analog Multiplexer in QFN

MAX4704

## General Description

The MAX4704 low-voltage, 4-channel analog multiplexer operates from a single +1.8V to +5.5V supply. The MAX4704 features break-before-make switching action with a  $t_{ON} = 60\text{ns}$  and  $t_{OFF} = 20\text{ns}$  at +3V.

When powered from a +2.7V supply, the device has a 60Ω (max) on-resistance ( $R_{ON}$ ), with 3Ω (max)  $R_{ON}$  matching and 5Ω max  $R_{ON}$  flatness. The digital logic inputs are 1.8V-logic compatible from a +2.7V to +3.3V supply. The MAX4704 is available in both a space-saving 12-pin QFN (3mm x 3mm) package and a 10-pin μMAX package.

## Applications

- MP3 Players
- Battery-Operated Equipment
- Relay Replacement
- Audio and Video Signal Routing
- Low-Voltage Data-Acquisition Systems
- Communications Circuits
- PCMCIA Cards
- Cellular Phones
- Modems

## Features

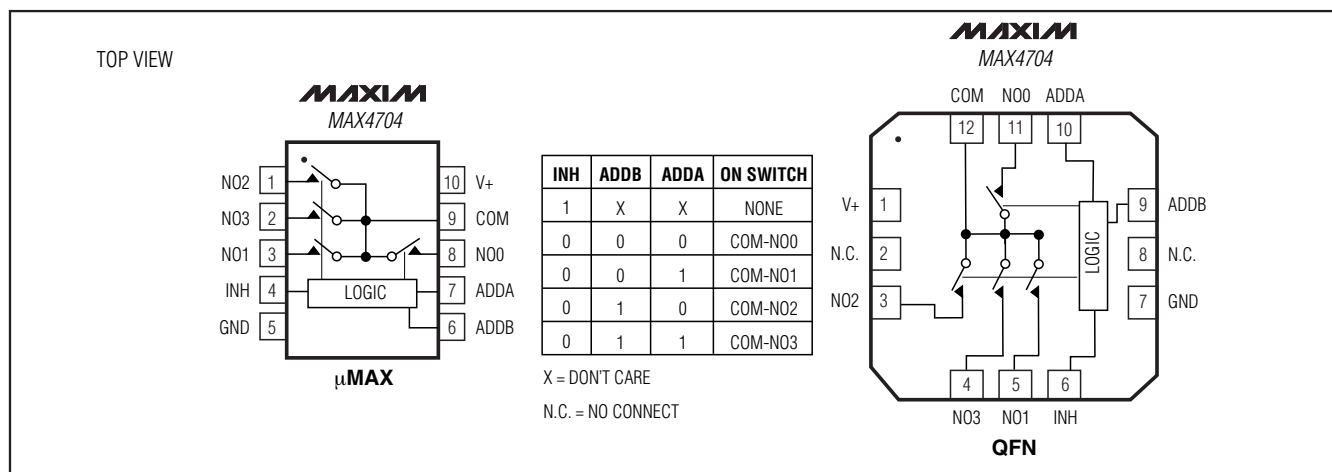
- ◆ 3mm x 3mm 12-Pin QFN Package
- ◆ Guaranteed On-Resistance:  
60Ω (max) (+2.7V Supply)  
40Ω (max) (+5V Supply)
- ◆ Guaranteed Match Between Channels: 3Ω (max)
- ◆ Guaranteed Flatness Over Signal Range:  
5Ω (max)
- ◆ Guaranteed Low Leakage Currents:  
100pA (max) at +25°C
- ◆ Switching Time:  $t_{ON} = 60\text{ns}$ ,  $t_{OFF} = 20\text{ns}$
- ◆ +1.8V to +5.5V Single-Supply Operation
- ◆ Rail-to-Rail Signal Handling
- ◆ -3dB Bandwidth: >200MHz
- ◆ Low Crosstalk: -90dB (1MHz)
- ◆ High Off-Isolation: -85dB (1MHz)
- ◆ Low 3pC Charge Injection
- ◆ THD: 0.02%
- ◆ +1.8V CMOS-Logic Compatible

## Ordering Information

| PART       | TEMP. RANGE    | PIN-PACKAGE |
|------------|----------------|-------------|
| MAX4704EGC | -40°C to +85°C | 12 QFN-EP*  |
| MAX4704EUB | -40°C to +85°C | 10 μMAX     |

\*EP = Exposed Pad

## Pin Configurations



# Low-Voltage, 60Ω, 4:1 Analog Multiplexer in QFN

## ABSOLUTE MAXIMUM RATINGS

(Voltages Referenced to GND)

|                                                            |                      |
|------------------------------------------------------------|----------------------|
| V+ .....                                                   | -0.3V to +6V         |
| All Other Pins (Note 1).....                               | -0.3V to (V+ + 0.3V) |
| Continuous Current COM, NO_ .....                          | ±20mA                |
| Peak Current COM, NO_ (pulsed at 1ms, 10% duty cycle)..... | ±40mA                |
| ESD per Method 3015.7.....                                 | >2kV                 |

Continuous Power Dissipation (T<sub>A</sub> = +70°C)

|                                                 |                 |
|-------------------------------------------------|-----------------|
| 10-Pin μMAX (derate 4.7mW/°C above +70°C) ..... | 330mW           |
| 12-Pin QFN (derate 11.9mW/°C above +70°C) ..... | 952mW           |
| Operating Temperature Range .....               | -40°C to +85°C  |
| Storage Temperature Range .....                 | -65°C to +150°C |
| Lead Temperature (soldering, 10s) .....         | +300°C          |

**Note 1:** Signals on INH, ADD\_, NO\_, and COM exceeding V+ or GND are clamped by internal diodes. Limit forward-diode current to maximum current rating.

Stresses beyond those listed under "Absolute Maximum Ratings" may cause permanent damage to the device. These are stress ratings only, and functional operation of the device at these or any other conditions beyond those indicated in the operational sections of the specifications is not implied. Exposure to absolute maximum rating conditions for extended periods may affect device reliability.

## ELECTRICAL CHARACTERISTICS—Single +3V Supply

(V+ = +2.7V to +3.3V, V<sub>IH</sub> = +1.4V, V<sub>IL</sub> = +0.5V, T<sub>A</sub> = -40°C to +85°C, unless otherwise noted. Typical values are at V+ = +3V and T<sub>A</sub> = +25°C.) (Notes 2, 3)

| PARAMETER                                     | SYMBOL                              | CONDITIONS                                                                           | T <sub>A</sub>                       | MIN  | TYP   | MAX | UNITS |
|-----------------------------------------------|-------------------------------------|--------------------------------------------------------------------------------------|--------------------------------------|------|-------|-----|-------|
| <b>ANALOG SWITCH</b>                          |                                     |                                                                                      |                                      |      |       |     |       |
| Analog Signal Range                           | V <sub>COM</sub> , V <sub>NO_</sub> |                                                                                      |                                      | 0    |       | V+  | V     |
| On-Resistance                                 | R <sub>ON</sub>                     | V+ = +2.7V, I <sub>COM</sub> = 5mA, V <sub>NO_</sub> = +1.3V                         | +25°C                                |      | 50    | 60  | Ω     |
|                                               |                                     |                                                                                      | T <sub>MIN</sub> to T <sub>MAX</sub> |      |       | 70  |       |
| On-Resistance Match Between Channels (Note 4) | ΔR <sub>ON</sub>                    | V+ = +2.7V, I <sub>COM</sub> = 5mA, V <sub>NO_</sub> = +1.3V                         | +25°C                                |      | 1     | 3   | Ω     |
|                                               |                                     |                                                                                      | T <sub>MIN</sub> to T <sub>MAX</sub> |      |       | 5   |       |
| On-Resistance Flatness (Note 5)               | R <sub>FLAT (ON)</sub>              | V+ = +2.7V, I <sub>COM</sub> = 5mA, V <sub>NO_</sub> = +1V, +1.3V, +1.8V             | +25°C                                |      | 3     | 5   | Ω     |
|                                               |                                     |                                                                                      | T <sub>MIN</sub> to T <sub>MAX</sub> |      |       | 10  |       |
| NO_ Off-Leakage Current (Note 6)              | I <sub>NO_(OFF)</sub>               | V+ = +3.3V, V <sub>COM</sub> = +0.3V, +3V V <sub>NO_</sub> = +3V, +0.3V              | +25°C                                | -0.1 | ±0.01 | 0.1 | nA    |
|                                               |                                     |                                                                                      | T <sub>MIN</sub> to T <sub>MAX</sub> | -1   |       | 1   |       |
| COM On-Leakage Current (Note 6)               | I <sub>COM(ON)</sub>                | V+ = +3.3V, V <sub>COM</sub> = +0.3V, +3V V <sub>NO_</sub> = +0.3V, +3V, or floating | +25°C                                | -0.5 | ±0.01 | 0.5 | nA    |
|                                               |                                     |                                                                                      | T <sub>MIN</sub> to T <sub>MAX</sub> | -5   |       | 5   |       |
| COM Off-Leakage Current (Note 6)              | I <sub>COM(OFF)</sub>               | V+ = +3.3V, V <sub>COM</sub> = +0.3V, +3V V <sub>NO_</sub> = +3V, +0.3V              | +25°C                                | -0.5 | ±0.01 | 0.5 | nA    |
|                                               |                                     |                                                                                      | T <sub>MIN</sub> to T <sub>MAX</sub> | -5   |       | 5   |       |
| <b>DYNAMIC</b>                                |                                     |                                                                                      |                                      |      |       |     |       |
| Address Transition Time                       | t <sub>TRANS</sub>                  | V <sub>NO_</sub> = +1.5V, R <sub>L</sub> = 300Ω, C <sub>L</sub> = 35pF, Figure 2     | +25°C                                |      | 20    | 60  | ns    |
|                                               |                                     |                                                                                      | T <sub>MIN</sub> to T <sub>MAX</sub> |      |       | 70  |       |
| Inhibit Turn-On Time                          | t <sub>ON</sub>                     | V <sub>NO_</sub> = +1.5V, R <sub>L</sub> = 300Ω, C <sub>L</sub> = 35pF, Figure 3     | +25°C                                |      | 25    | 60  | ns    |
|                                               |                                     |                                                                                      | T <sub>MIN</sub> to T <sub>MAX</sub> |      |       | 70  |       |
| Inhibit Turn-Off Time                         | t <sub>OFF</sub>                    | V <sub>NO_</sub> = +1.5V, R <sub>L</sub> = 300Ω, C <sub>L</sub> = 35pF, Figure 3     | +25°C                                |      | 10    | 20  | ns    |
|                                               |                                     |                                                                                      | T <sub>MIN</sub> to T <sub>MAX</sub> |      |       | 30  |       |
| Break-Before-Make Time (Note 7)               | t <sub>BBM</sub>                    | V <sub>NO_</sub> = +1.5V, R <sub>L</sub> = 300Ω, C <sub>L</sub> = 35pF, Figure 4     | +25°C                                |      | 20    |     | ns    |
|                                               |                                     |                                                                                      | T <sub>MIN</sub> to T <sub>MAX</sub> |      | 2     |     |       |
| Charge Injection                              | Q                                   | V <sub>GEN</sub> = 0, R <sub>GEN</sub> = 0, C <sub>L</sub> = 1.0nF, Figure 5         |                                      |      | 2     |     | pC    |

# Low-Voltage, 60Ω, 4:1 Analog Multiplexer in QFN

MAX4704

## ELECTRICAL CHARACTERISTICS—Single +3V Supply (continued)

(V+ = +2.7V to +3.3V, V<sub>IH</sub> = +1.4V, V<sub>IL</sub> = +0.5V, T<sub>A</sub> = -40°C to +85°C, unless otherwise noted. Typical values are at V+ = +3V and T<sub>A</sub> = +25°C.) (Notes 2, 3)

| PARAMETER                 | SYMBOL                            | CONDITIONS                                                     | T <sub>A</sub> | MIN | TYP  | MAX | UNITS |
|---------------------------|-----------------------------------|----------------------------------------------------------------|----------------|-----|------|-----|-------|
| On-Channel -3dB Bandwidth | BW                                | Signal = 0dBm, 50Ω in and out, Figure 6                        |                |     | >200 |     | MHz   |
| Off-Isolation (Note 8)    | V <sub>ISO</sub>                  | f = 1MHz, R <sub>L</sub> = 50Ω, C <sub>L</sub> = 5pF, Figure 6 |                |     | -85  |     | dB    |
| Crosstalk (Note 9)        | V <sub>CT</sub>                   | f = 1MHz, R <sub>L</sub> = 50Ω, C <sub>L</sub> = 5pF, Figure 6 |                |     | -90  |     | dB    |
| NO_ Off-Capacitance       | C <sub>NO_(OFF)</sub>             | f = 1MHz, V <sub>NO_</sub> = GND, Figure 7                     |                |     | 7    |     | pF    |
| COM On-Capacitance        | C <sub>COM(ON)</sub>              | f = 1MHz, V <sub>NO_</sub> = GND, Figure 7                     |                |     | 19   |     | pF    |
| COM Off-Capacitance       | C <sub>COM(OFF)</sub>             | f = 1MHz, V <sub>NO_</sub> = GND, Figure 7                     |                |     | 15   |     | pF    |
| <b>DIGITAL I/O</b>        |                                   |                                                                |                |     |      |     |       |
| Input Logic High          | V <sub>IH</sub>                   |                                                                |                | 1.4 |      |     | V     |
| Input Logic Low           | V <sub>IL</sub>                   |                                                                |                |     |      | 0.5 | V     |
| Input Leakage Current     | I <sub>IH</sub> , I <sub>IL</sub> | ADD_, INH = 0 or V+                                            |                | -1  |      | 1   | μA    |
| <b>SUPPLY</b>             |                                   |                                                                |                |     |      |     |       |
| Power-Supply Range        | V+                                |                                                                |                | 1.8 |      | 5.5 | V     |
| Power-Supply Current      | I+                                | V+ = +5.5V, ADD_, INH = 0 or V+                                |                |     |      | 1   | μA    |

## ELECTRICAL CHARACTERISTICS—Single +5V Supply

(V+ = +4.5V to +5.5V, V<sub>IH</sub> = +2.0V, V<sub>IL</sub> = +0.8V, T<sub>A</sub> = -40°C to +85°C, unless otherwise noted. Typical values are at V+ = +5V and T<sub>A</sub> = +25°C.) (Notes 2, 3)

| PARAMETER                                     | SYMBOL                              | CONDITIONS                                                                            | T <sub>A</sub>                       | MIN  | TYP   | MAX | UNITS |
|-----------------------------------------------|-------------------------------------|---------------------------------------------------------------------------------------|--------------------------------------|------|-------|-----|-------|
| <b>ANALOG SWITCH</b>                          |                                     |                                                                                       |                                      |      |       |     |       |
| Analog Signal Range                           | V <sub>COM</sub> , V <sub>NO_</sub> |                                                                                       |                                      | 0    |       | V+  | V     |
| On-Resistance                                 | R <sub>ON</sub>                     | V+ = +4.5V, I <sub>COM</sub> = 5mA, V <sub>NO_</sub> = +3.5V                          | +25°C                                |      | 30    | 40  | Ω     |
|                                               |                                     |                                                                                       | T <sub>MIN</sub> to T <sub>MAX</sub> |      |       | 50  |       |
| On-Resistance Match Between Channels (Note 4) | ΔR <sub>ON</sub>                    | V+ = +4.5V, I <sub>COM</sub> = 5mA, V <sub>NO_</sub> = +3.5V                          | +25°C                                |      | 1     | 2   | Ω     |
|                                               |                                     |                                                                                       | T <sub>MIN</sub> to T <sub>MAX</sub> |      |       | 3   |       |
| On-Resistance Flatness (Note 5)               | R <sub>FLAT (ON)</sub>              | V+ = +4.5V, I <sub>COM</sub> = 5mA, V <sub>NO_</sub> = +1V, +2.25V, +3.5V             | +25°C                                |      | 3     | 5   | Ω     |
|                                               |                                     |                                                                                       | T <sub>MIN</sub> to T <sub>MAX</sub> |      |       | 10  |       |
| NO_ Off-Leakage Current (Note 6)              | I <sub>NO_(OFF)</sub>               | V+ = +5.5V, V <sub>COM</sub> = +0.5V, +5V, V <sub>NO_</sub> = +5V, +0.5V              | +25°C                                | -0.1 | ±0.01 | 0.1 | nA    |
|                                               |                                     |                                                                                       | T <sub>MIN</sub> to T <sub>MAX</sub> | -1   |       | 1   |       |
| COM On-Leakage Current (Note 6)               | I <sub>COM(ON)</sub>                | V+ = +5.5V, V <sub>COM</sub> = +0.5V, +5V, V <sub>NO_</sub> = +0.5V, +5V, or floating | +25°C                                | -0.5 | ±0.01 | 0.5 | nA    |
|                                               |                                     |                                                                                       | T <sub>MIN</sub> to T <sub>MAX</sub> | -5   |       | 5   |       |

# Low-Voltage, 60Ω, 4:1 Analog Multiplexer in QFN

## ELECTRICAL CHARACTERISTICS—Single +5V Supply (continued)

(V+ = +4.5V to +5.5V, V<sub>IH</sub> = +2.0V, V<sub>IL</sub> = +0.8V, T<sub>A</sub> = -40°C to +85°C, unless otherwise noted. Typical values are at V+ = +5V and T<sub>A</sub> = +25°C.) (Notes 2, 3)

| PARAMETER                          | SYMBOL                            | CONDITIONS                                                                        | T <sub>A</sub>                       | MIN  | TYP   | MAX | UNITS |
|------------------------------------|-----------------------------------|-----------------------------------------------------------------------------------|--------------------------------------|------|-------|-----|-------|
| COM Off-Leakage Current            | I <sub>COM(OFF)</sub>             | V+ = +5.5V, V <sub>COM_</sub> = +0.5V, +5V<br>V <sub>NO_</sub> = +5V, +0.5V       | +25°C                                | -0.5 | ±0.01 | 0.5 | nA    |
|                                    |                                   |                                                                                   | T <sub>MIN</sub> to T <sub>MAX</sub> | -5   |       | 5   |       |
| <b>DYNAMIC</b>                     |                                   |                                                                                   |                                      |      |       |     |       |
| Address Transition Time            | t <sub>TRANS</sub>                | V <sub>NO_</sub> = +3V, R <sub>L</sub> = 300Ω,<br>C <sub>L</sub> = 35pF, Figure 2 | +25°C                                | 15   | 35    | ns  |       |
|                                    |                                   |                                                                                   | T <sub>MIN</sub> to T <sub>MAX</sub> |      | 40    |     |       |
| Inhibit Turn-On Time               | t <sub>ON</sub>                   | V <sub>NO_</sub> = +3V, R <sub>L</sub> = 300Ω,<br>C <sub>L</sub> = 35pF, Figure 3 | +25°C                                | 18   | 35    | ns  |       |
|                                    |                                   |                                                                                   | T <sub>MIN</sub> to T <sub>MAX</sub> |      | 40    |     |       |
| Inhibit Turn-Off Time              | t <sub>OFF</sub>                  | V <sub>NO_</sub> = +3V, R <sub>L</sub> = 300Ω,<br>C <sub>L</sub> = 35pF, Figure 3 | +25°C                                | 9    | 20    | ns  |       |
|                                    |                                   |                                                                                   | T <sub>MIN</sub> to T <sub>MAX</sub> |      | 30    |     |       |
| Break-Before-Make Time<br>(Note 7) | t <sub>BBM</sub>                  | V <sub>NO_</sub> = +3V, R <sub>L</sub> = 300Ω,<br>C <sub>L</sub> = 35pF, Figure 4 | +25°C                                | 20   |       | ns  |       |
|                                    |                                   |                                                                                   | T <sub>MIN</sub> to T <sub>MAX</sub> | 2    |       |     |       |
| Charge Injection                   | Q                                 | V <sub>GEN</sub> = 0, R <sub>GEN</sub> = 0, C <sub>L</sub> = 1.0nF,<br>Figure 5   |                                      | 3    |       | pC  |       |
| On-Channel -3dB Bandwidth          | BW                                | Signal = 0dBm, 50Ω in and out,<br>Figure 6                                        |                                      | >200 |       | MHz |       |
| Off-Isolation (Note 8)             | V <sub>ISO</sub>                  | f = 1MHz, R <sub>L</sub> = 50Ω, C <sub>L</sub> = 5pF,<br>Figure 6                 |                                      | -85  |       | dB  |       |
| Crosstalk (Note 9)                 | V <sub>CT</sub>                   | f = 1MHz, R <sub>L</sub> = 50Ω, C <sub>L</sub> = 5pF,<br>Figure 6                 |                                      | -90  |       | dB  |       |
| Total Harmonic Distortion          | THD                               | f = 20Hz to 20kHz, 1Vp-p, R <sub>L</sub> = 600Ω                                   |                                      | 0.02 |       | %   |       |
| <b>DIGITAL I/O</b>                 |                                   |                                                                                   |                                      |      |       |     |       |
| Input Logic High                   | V <sub>IH</sub>                   |                                                                                   |                                      | 2.0  |       | V   |       |
| Input Logic Low                    | V <sub>IL</sub>                   |                                                                                   |                                      |      | 0.8   | V   |       |
| Input Leakage Current              | I <sub>IH</sub> , I <sub>IL</sub> | ADD <sub>-</sub> , INH = 0 or V+                                                  |                                      | -1   | 1     | μA  |       |
| <b>SUPPLY</b>                      |                                   |                                                                                   |                                      |      |       |     |       |
| Power-Supply Range                 | V+                                |                                                                                   |                                      | 1.8  | 5.5   | V   |       |
| Positive Supply Current            | I+                                | V+ = +5.5V, ADD <sub>-</sub> , INH = 0 or V+                                      |                                      |      | 1     | μA  |       |

**Note 2:** The algebraic convention, where the most negative value is a minimum and the most positive value a maximum, is used in this data sheet.

**Note 3:** -40°C specifications are guaranteed by design.

**Note 4:**  $\Delta R_{ON} = R_{ON(MAX)} - R_{ON(MIN)}$ .

**Note 5:** Flatness is defined as the difference between the maximum and minimum value of on-resistance as measured over the specified analog signal ranges.

**Note 6:** Leakage currents are 100% tested at T<sub>A</sub> = +85°C. Limits across the full temperature range are guaranteed by correlation.

**Note 7:** Guaranteed by design.

**Note 8:** Off-Isolation =  $20\log_{10}(V_{COM} / V_{NO_})$ , V<sub>COM</sub> = output, V<sub>NO\_</sub> = input to off switch.

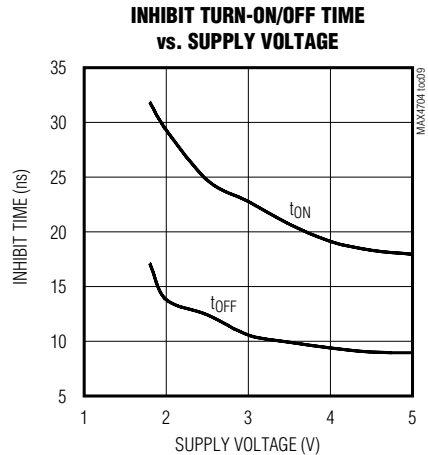
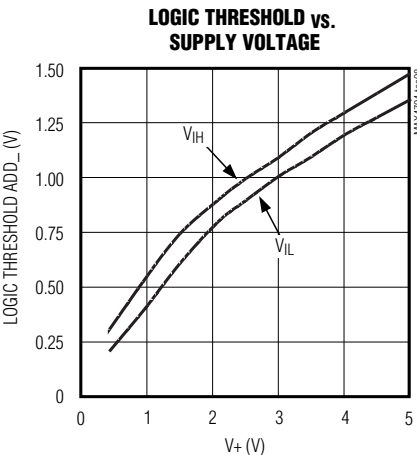
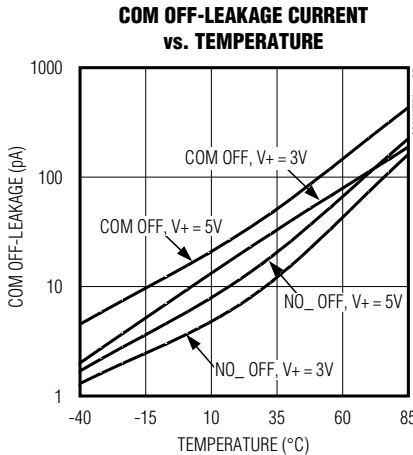
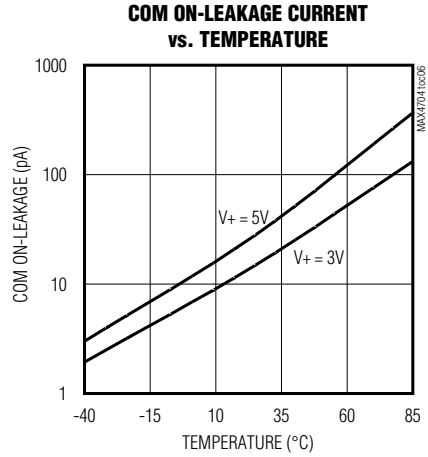
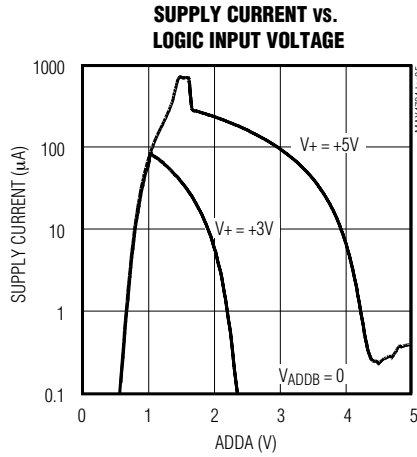
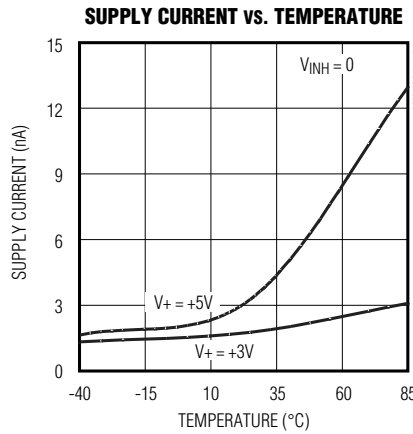
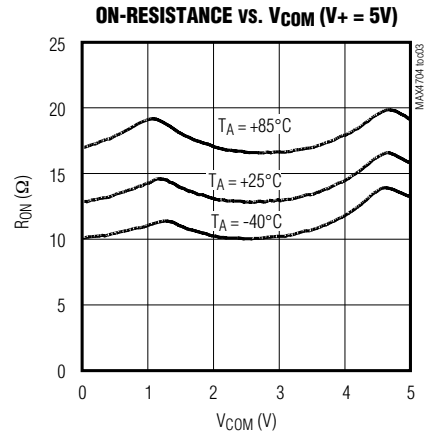
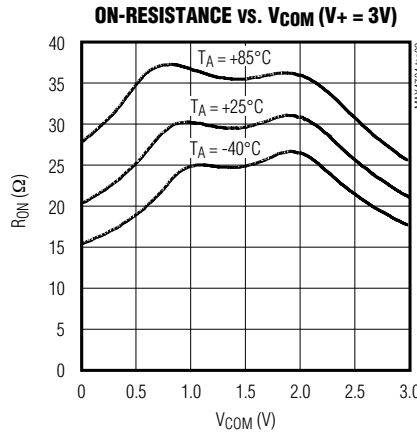
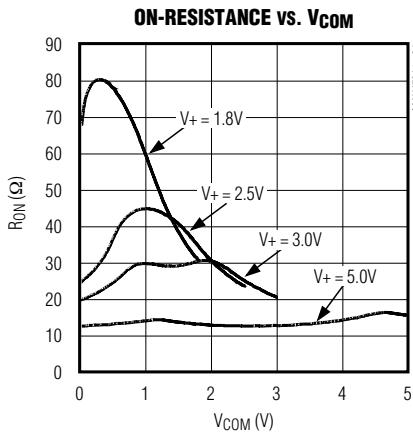
**Note 9:** Between any two switches.

# Low-Voltage, 60Ω, 4:1 Analog Multiplexer in QFN

## Typical Operating Characteristics

( $T_A = +25^\circ\text{C}$ , unless otherwise noted.)

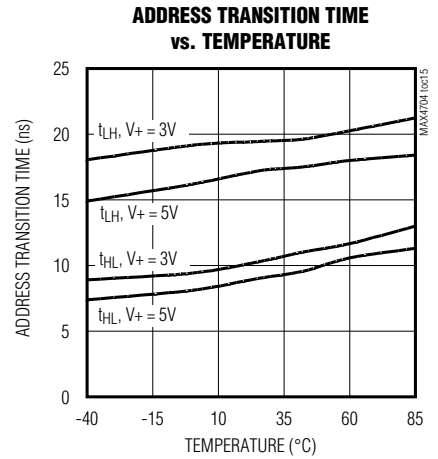
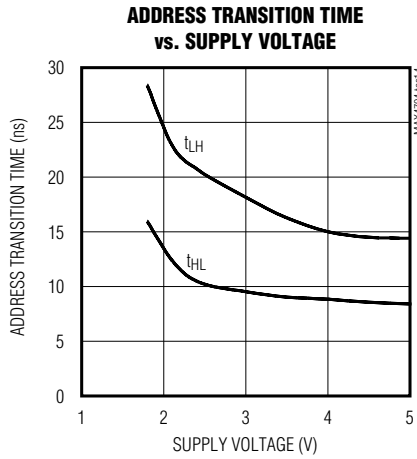
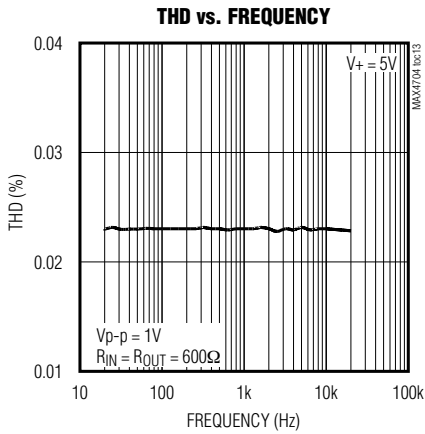
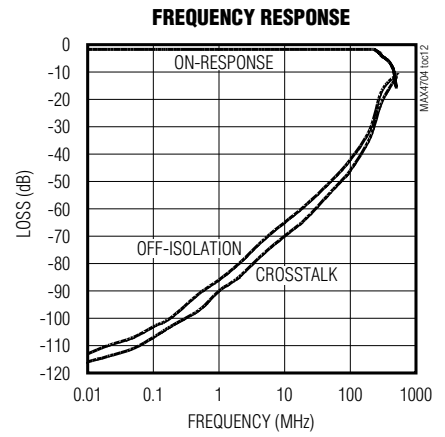
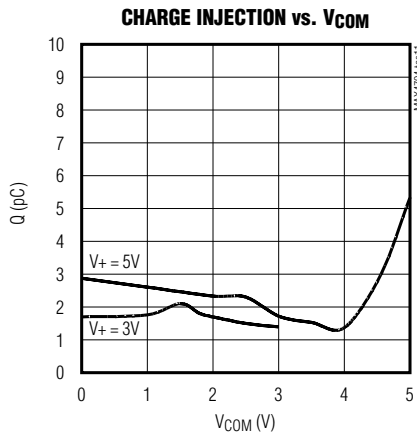
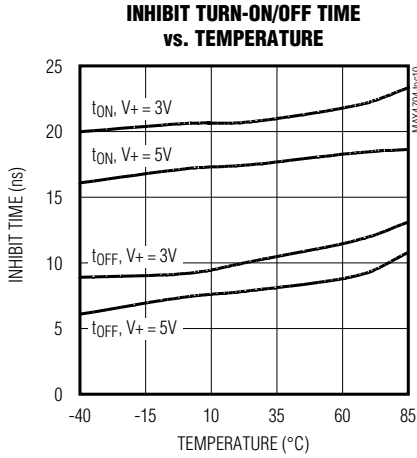
MAX4704



# Low-Voltage, 60Ω, 4:1 Analog Multiplexer in QFN

## Typical Operating Characteristics (continued)

(T<sub>A</sub> = +25°C, unless otherwise noted.)



# Low-Voltage, 60Ω, 4:1 Analog Multiplexer in QFN

MAX4704

## Pin Description

| PIN  |        | NAME | FUNCTION                                                                                                                                                                      |
|------|--------|------|-------------------------------------------------------------------------------------------------------------------------------------------------------------------------------|
| μMAX | QFN-EP |      |                                                                                                                                                                               |
| 10   | 1      | V+   | Positive Supply Voltage                                                                                                                                                       |
| —    | 2, 8   | N.C. | No Connection. Not internally connected.                                                                                                                                      |
| 1    | 3      | NO2  | Analog Switch 2. Normally open.                                                                                                                                               |
| 2    | 4      | NO3  | Analog Switch 3. Normally open.                                                                                                                                               |
| 3    | 5      | NO1  | Analog Switch 1. Normally open.                                                                                                                                               |
| 4    | 6      | INH  | Inhibit. Connect to GND for normal operation. Connect to logic-level high to turn all switches off.                                                                           |
| 5    | 7      | GND  | Ground                                                                                                                                                                        |
| 6    | 9      | ADDB | Address Decoder Selection B                                                                                                                                                   |
| 7    | 10     | ADDA | Address Decoder Selection A                                                                                                                                                   |
| 8    | 11     | NO0  | Analog Switch 0. Normally open.                                                                                                                                               |
| 9    | 12     | COM  | Analog Switch Common Terminal                                                                                                                                                 |
| —    | —      | EP   | Exposed Pad. Internally connected to GND. Connect to a large ground plane to maximize thermal performance; not intended as an electrical connection point (QFN package only). |

## Detailed Description

The MAX4704 low-voltage, 4-channel analog multiplexer operates from a single +1.8V to +5.5V supply. When powered from a +2.7V supply, the device has a 60Ω (max) on-resistance ( $R_{ON}$ ), with 3Ω (max)  $R_{ON}$  matching and 5Ω (max)  $R_{ON}$  flatness. The digital logic inputs are +1.8V-logic compatible from a +2.7V to +3.3V supply.

## Applications Information

### Digital Control Inputs

The MAX4704 logic inputs are +1.8V CMOS logic compatible for 3V operation and TTL compatible for 5V operation of V+. Driving ADD\_ rail-to-rail minimizes power consumption.

### Analog Signal Levels

Analog signals that range over the entire supply voltage (V+ to GND) are passed with very little change in on-resistance (see *Typical Operating Characteristics*). The switches are bidirectional, so the NO\_ and COM pins can be either inputs or outputs.

### Power-Supply Sequencing and Overvoltage Protection

**Caution: Do not exceed the absolute maximum ratings because stresses beyond those listed may cause permanent damage to devices.**

Proper power-supply sequencing is recommended for all CMOS devices. Always apply V+ before applying analog signals, especially if the analog signal is not current limited. If this sequencing is not possible, and if the analog inputs are not current limited to <20mA, add a small-signal diode

(D1) as shown in Figure 1. If the analog signal can dip below GND, add D2. Adding protection diodes reduces the analog range to a diode drop (about 0.7V) below V+ (for D1), and a diode drop above ground (for D2). On-resistance increases slightly at low supply voltages. Maximum supply voltage (V+) must not exceed +6V.

Adding protection diode D2 causes the logic threshold to be shifted relative to GND. TTL compatibility is not guaranteed when D2 is added.

Protection diodes D1 and D2 also protect against some overvoltage situations. In the circuit in Figure 1, if the supply voltage is below the absolute maximum rating, and if a fault voltage up to the absolute maximum rating is applied to an analog signal pin, no damage will result.

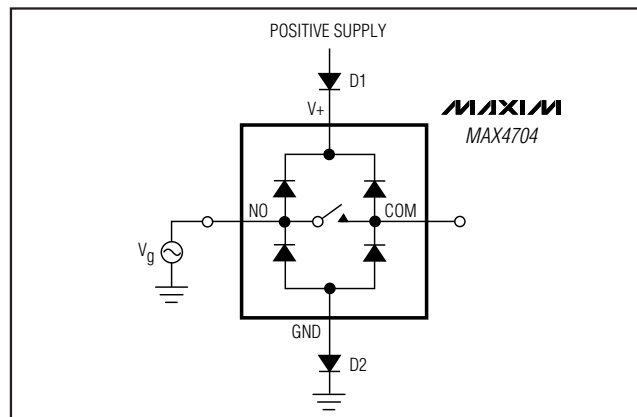


Figure 1. Overvoltage Protection Using Two External Blocking Diodes

# Low-Voltage, 60Ω, 4:1 Analog Multiplexer in QFN

## Test Circuits/Timing Diagrams

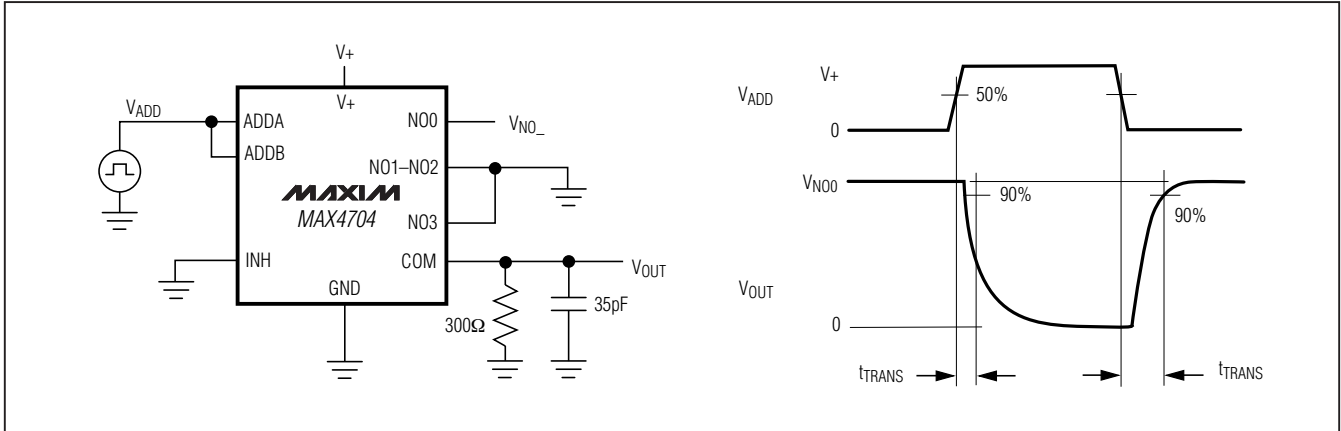


Figure 2. Address Transition Time

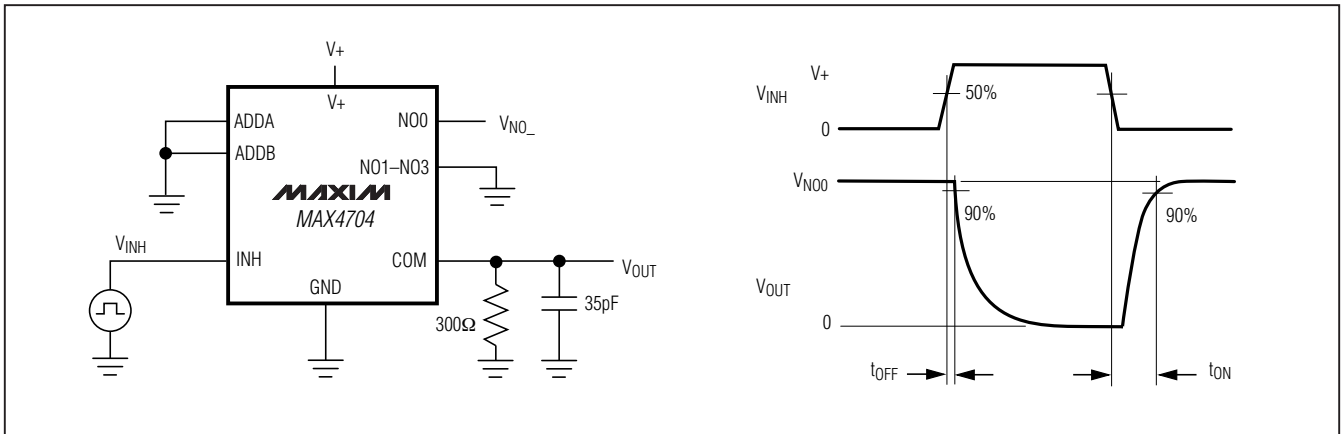


Figure 3. Inhibit Switching Times

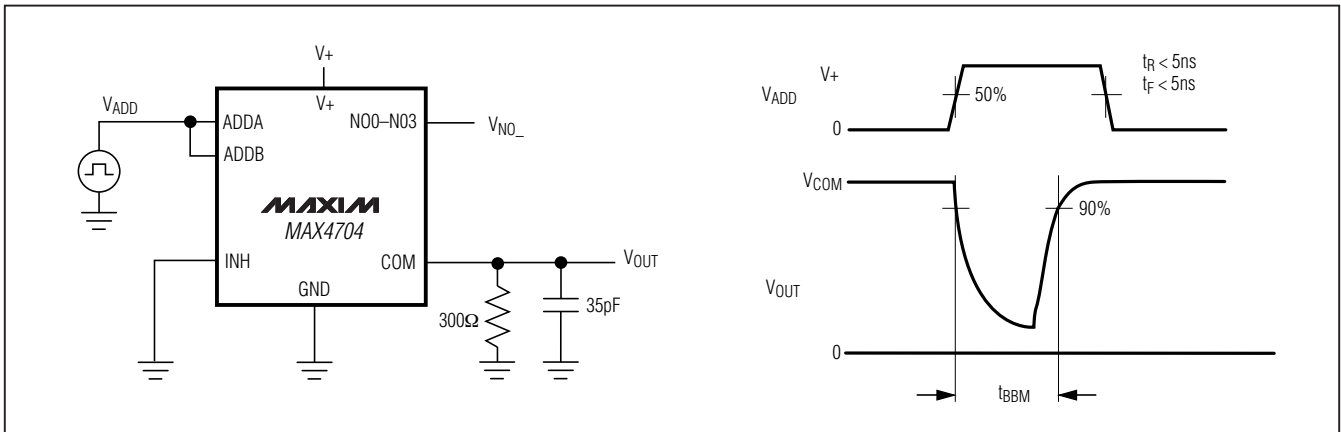


Figure 4. Break-Before-Make Interval



# Low-Voltage, 60Ω, 4:1 Analog Multiplexer in QFN

## Test Circuits/Timing Diagrams (continued)

MAX4704

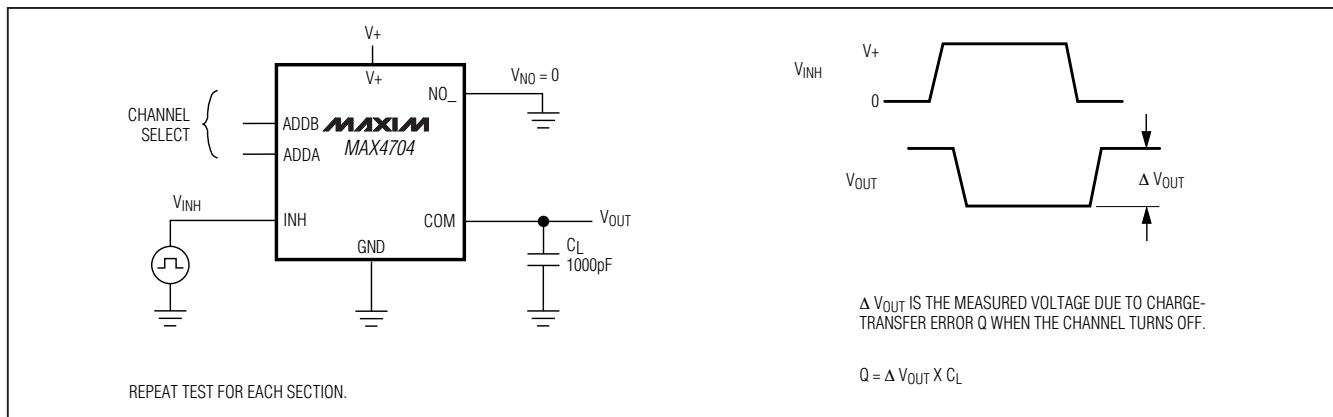


Figure 5. Charge Injection

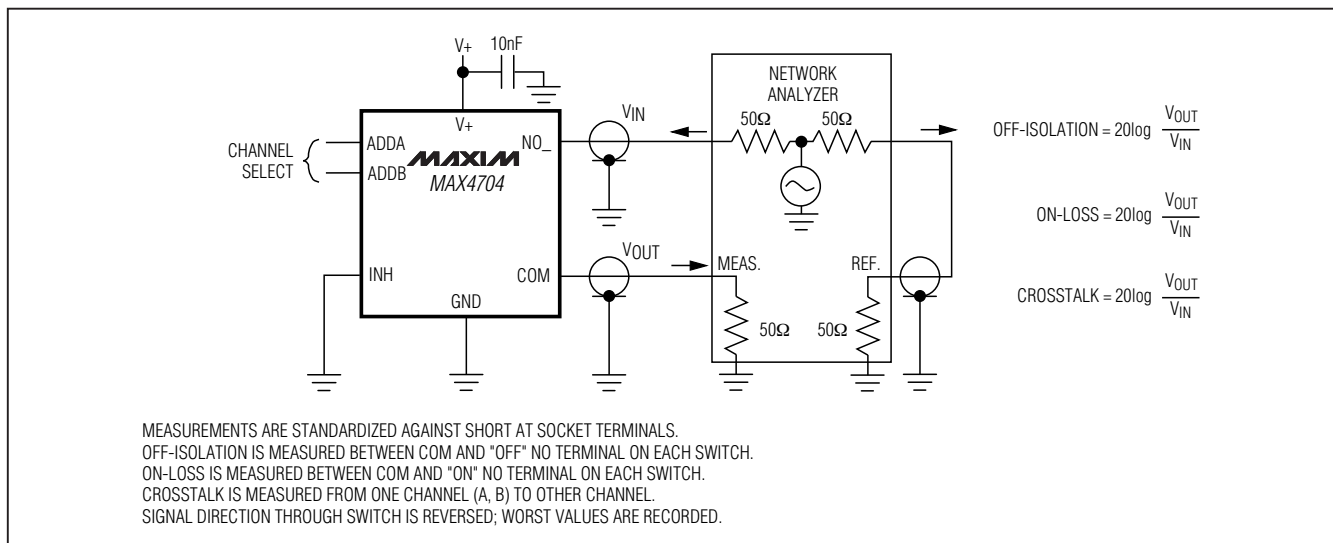


Figure 6. Off-Isolation, On-Loss, and Crosstalk

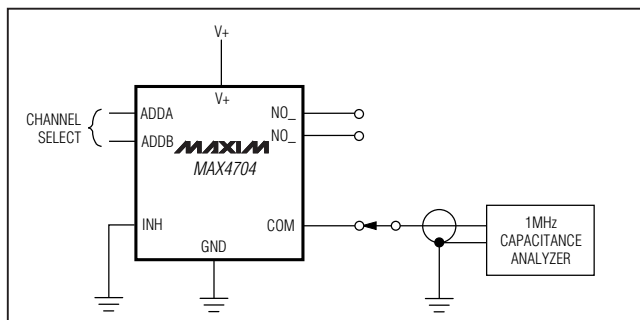


Figure 7. NO\_/COM Capacitance

## Chip Information

TRANSISTOR COUNT: 256

PROCESS: CMOS

# Low-Voltage, 60Ω, 4:1 Analog Multiplexer in QFN

## Package Information

For the latest package outline information and land patterns, go to [www.maxim-ic.com/packages](http://www.maxim-ic.com/packages).

| PACKAGE TYPE | PACKAGE CODE | DOCUMENT NO.            |
|--------------|--------------|-------------------------|
| 12 QFN-EP    | G1233-1      | <a href="#">21-0102</a> |
| 10 μMAX      | —            | <a href="#">21-0061</a> |

# Low-Voltage, 60Ω, 4:1 Analog Multiplexer in QFN

## Revision History

| REVISION NUMBER | REVISION DATE | DESCRIPTION                         | PAGES CHANGED |
|-----------------|---------------|-------------------------------------|---------------|
| 0               | 10/01         | Initial release                     | —             |
| 1               | 10/08         | Inserted exposed paddle description | 1, 7          |

**MAX4704**

Maxim cannot assume responsibility for use of any circuitry other than circuitry entirely embodied in a Maxim product. No circuit patent licenses are implied. Maxim reserves the right to change the circuitry and specifications without notice at any time.

**Maxim Integrated Products, 120 San Gabriel Drive, Sunnyvale, CA 94086 408-737-7600** \_\_\_\_\_ 11

Компания «Life Electronics» занимается поставками электронных компонентов импортного и отечественного производства от производителей и со складов крупных дистрибьюторов Европы, Америки и Азии.

С конца 2013 года компания активно расширяет линейку поставок компонентов по направлению коаксиальный кабель, кварцевые генераторы и конденсаторы (керамические, пленочные, электролитические), за счёт заключения дистрибьюторских договоров

Мы предлагаем:

- Конкурентоспособные цены и скидки постоянным клиентам.
- Специальные условия для постоянных клиентов.
- Подбор аналогов.
- Поставку компонентов в любых объемах, удовлетворяющих вашим потребностям.
- Приемлемые сроки поставки, возможна ускоренная поставка.
- Доставку товара в любую точку России и стран СНГ.
- Комплексную поставку.
- Работу по проектам и поставку образцов.
- Формирование склада под заказчика.
- Сертификаты соответствия на поставляемую продукцию (по желанию клиента).
- Тестирование поставляемой продукции.
- Поставку компонентов, требующих военную и космическую приемку.
- Входной контроль качества.
- Наличие сертификата ISO.

В составе нашей компании организован Конструкторский отдел, призванный помогать разработчикам, и инженерам.

Конструкторский отдел помогает осуществить:

- Регистрацию проекта у производителя компонентов.
- Техническую поддержку проекта.
- Защиту от снятия компонента с производства.
- Оценку стоимости проекта по компонентам.
- Изготовление тестовой платы монтаж и пусконаладочные работы.



Тел: +7 (812) 336 43 04 (многоканальный)

Email: [org@lifeelectronics.ru](mailto:org@lifeelectronics.ru)