



SATA M.2 ArmourDrive™

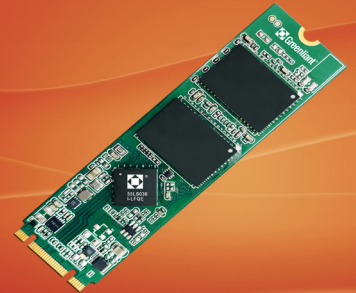
87 Series

Product Brief

Product Description

The SATA M.2 ArmourDrive™ family consists of high-reliability, industrial solid state drives (SSDs) in a wide selection of capacities and endurance specifications. To better address customer needs, the 87 Series is available with 1-bit-per-cell (SLC), 2-bit-per-cell (MLC) or 3-bit-per-cell (TLC) 3D NAND configurations. ArmourDrive SSDs designed with Greenliant's EnduroSLC™ Technology can reach ultra-high write endurance of 250K+ program/erase (P/E) cycles. Operating at extreme temperatures, SATA M.2 ArmourDrive is ideal for applications requiring removable data storage able to withstand the most demanding environments.

The 87 Series implements advanced NAND flash management technology to preserve data integrity and extend SSD lifespan. Built in the standard 2242 and 2280 form factors and backed by Greenliant's technical support, SATA M.2 ArmourDrive gives industrial, computing, security, video and networking customers added flexibility when selecting reliable solid state storage for space-constrained, embedded systems.



Key Features

Industrial SATA M.2 SSDs

- 2242 (22mm x 42mm) and 2280 (22mm x 80mm), B+M key
- Supports SATA 6Gb/s, 3Gb/s and 1.5Gb/s
- Compliant with SATA Revision 3.2

High Performance

- Sequential Read / Write performance up to 550MB/s / 500MB/s
- Native Command Queuing up to 32 commands
- DRAM for better sustained performance (select PX Series SSDs)

Energy Efficient

- 3.3V low power supply
- Standby Mode less than 325mW
- Sleep Mode less than 180mW
- DevSleep Mode support

Pre-programmed Firmware

- Field-upgradeable firmware to add new features and enhance device performance
- Configurable algorithms optimize data retention based on the usage model
- Embedded FFS enables seamless capacity upgrade with no change to host software

Advanced Flash Management

- Dynamic and static wear leveling algorithms maximize product lifespan
- Supports TRIM commands to remove invalid data which is no longer in use
- Replaces bad blocks with spare blocks in the NAND flash to prevent uncorrectable errors

High Reliability

- MTBF more than 2,000,000 hours

Built-in ECC

- Uses advanced bit error detection and correction optimized for 3D NAND

SSD Lifespan Monitoring

- Supports SMART command-based alerts indicating the remaining useful product life

Power Interrupt Data Protection

- Helps prevent data loss during power failures

Data Security

- Secure Erase for quick data wipe/factory reset
- AES-256 / TCG OPAL hardware encryption (select PX Series SSDs)

Wide Range of Capacities

- SLC (EX Series): 8 GB - 256 GB
- MLC (MX Series): 16 GB - 64 GB
- TLC (PX Series): 32 GB - 2 TB



Applications

- Industrial automation & control
- Base station equipment
- Digital signage
- Industrial PC
- Thin client
- Transportation system
- Test & measurement instrumentation
- Network server
- Gateway / Switch
- Banking terminal / ATM
- Security equipment
- Surveillance
- Data recorder
- Video conferencing
- Medical equipment
- Multi-function printer

Greenliant Systems

3970 Freedom Circle, Suite 100

Santa Clara, CA 95054 USA

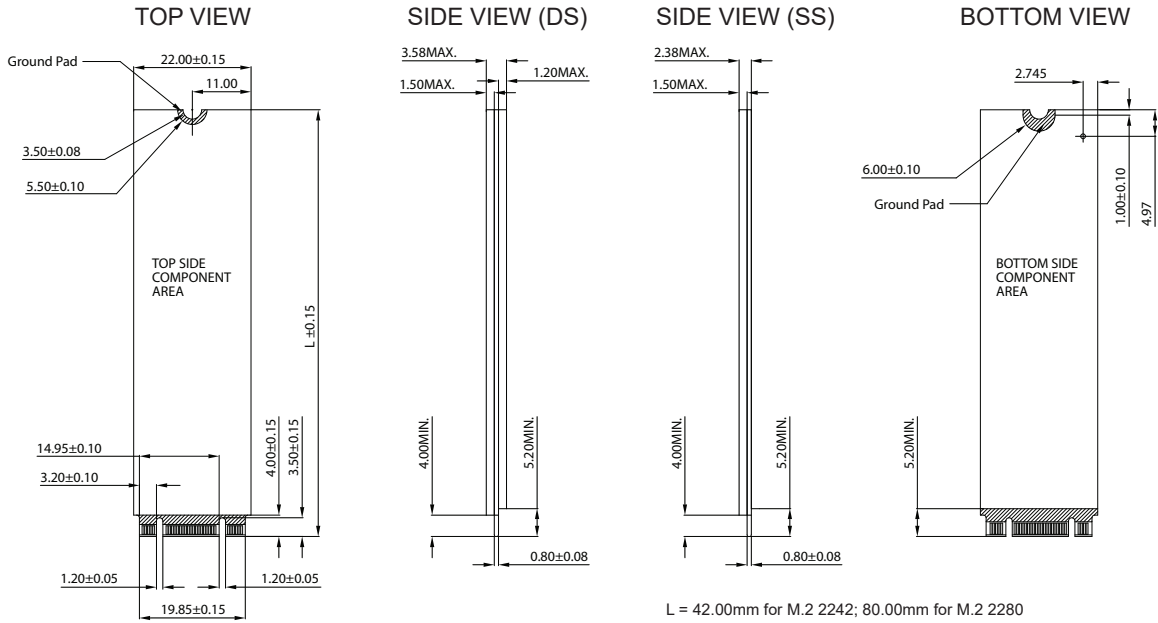
Tel: 1-408-200-8000

Fax: 1-408-200-8099

www.Greenliant.com

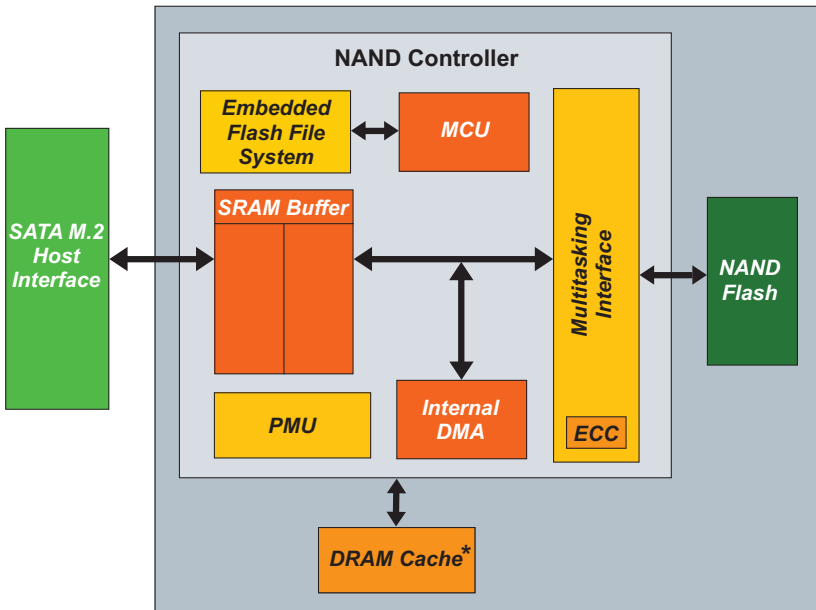
SATA M.2 ArmourDrive Board Diagrams

Double Sided (DS): 22mm x 42mm x 3.18mm / 22mm x 80mm x 3.18mm (32 GB - 256 GB)
 Double Sided (DS): 22mm x 42mm x 3.58mm / 22mm x 80mm x 3.58mm (512 GB - 2 TB)
 Single Sided (SS): 22mm x 42mm x 2.38mm / 22mm x 80mm x 2.38mm (8 GB - 256 GB)
 Pb-free (RoHS compliant)



L = 42.00mm for M.2 2242; 80.00mm for M.2 2280
 Note: All dimensions are in millimeters, unless otherwise specified.

SATA M.2 ArmourDrive Block Diagram

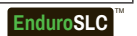


*DRAM available on select PX Series products

Product Lineup

87 Series SATA M.2 ArmourDrive			
Product Series / Capacity	Form Factor	NAND Configuration / Endurance	Temperature Range
EX 8 GB - 128 GB	2242 SS	1 bit per cell (3D SLC) /	Industrial -40°C to +85°C
EX 8 GB - 256 GB	2280 SS	50K, 100K, 250K P/E cycles*	
MX 16 GB - 64 GB	2242 SS	2 bits per cell (3D MLC) / 5K P/E cycles	Industrial -40°C to +85°C
PX PX 32 GB - 512 GB	2242 DS	3 bits per cell (3D TLC) / 3K P/E cycles	
PX PX 32 GB - 1 TB	2280 DS		Commercial 0°C to +70°C
PX 128 GB - 2 TB (with DRAM)	2280 DS	Industrial -40°C to +85°C	

*Designed with Greenliant's advanced EnduroSLC Technology 250K, or higher, endurance offered up to 128GB
 EX and MX Series planned for production in 3Q19



twitter.com/Greenliant
 linkedin.com/company/Greenliant-Systems
 facebook.com/Greenliant

ArmourDrive FAQs: www.greenliant.com/armourdrive-faqs

For more information, contact your Greenliant representative: www.greenliant.com/sales



© 2019 Greenliant
 Greenliant, the Greenliant logo and ArmourDrive are trademarks of Greenliant.
 These specifications are subject to change without notice. 06/2019

Компания «Life Electronics» занимается поставками электронных компонентов импортного и отечественного производства от производителей и со складов крупных дистрибьюторов Европы, Америки и Азии.

С конца 2013 года компания активно расширяет линейку поставок компонентов по направлению коаксиальный кабель, кварцевые генераторы и конденсаторы (керамические, пленочные, электролитические), за счёт заключения дистрибьюторских договоров

Мы предлагаем:

- Конкурентоспособные цены и скидки постоянным клиентам.
- Специальные условия для постоянных клиентов.
- Подбор аналогов.
- Поставку компонентов в любых объемах, удовлетворяющих вашим потребностям.
- Приемлемые сроки поставки, возможна ускоренная поставка.
- Доставку товара в любую точку России и стран СНГ.
- Комплексную поставку.
- Работу по проектам и поставку образцов.
- Формирование склада под заказчика.
- Сертификаты соответствия на поставляемую продукцию (по желанию клиента).
- Тестирование поставляемой продукции.
- Поставку компонентов, требующих военную и космическую приемку.
- Входной контроль качества.
- Наличие сертификата ISO.

В составе нашей компании организован Конструкторский отдел, призванный помогать разработчикам, и инженерам.

Конструкторский отдел помогает осуществить:

- Регистрацию проекта у производителя компонентов.
- Техническую поддержку проекта.
- Защиту от снятия компонента с производства.
- Оценку стоимости проекта по компонентам.
- Изготовление тестовой платы монтаж и пусконаладочные работы.



Тел: +7 (812) 336 43 04 (многоканальный)

Email: org@lifeelectronics.ru