

# Surge Protection Made Simple™ for Ethernet Data Cables

## UL Listed 497B Universal DIN-Rail Mount Surge Protective Device for RJ45/Ethernet Cable Systems



### Description

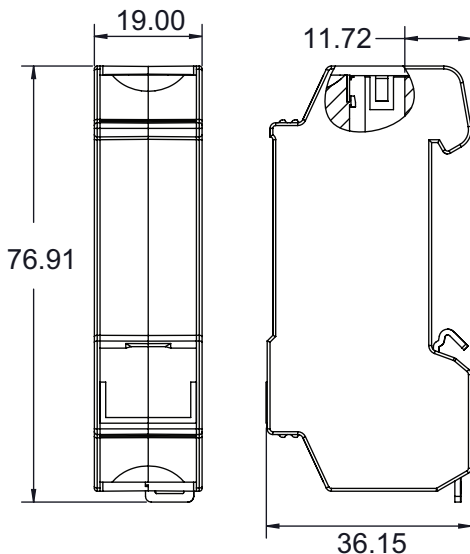
The Cooper Bussmann DIN-Rail mount BSPD48RJ45 Surge Protective Device (SPD) for Ethernet cable systems with RJ connectors is easy to install in new, or retrofitting into existing, installations.

The BSPD48RJ45 is installed between the patch panel and the active component (a switch for example). The snap-in mechanism of the supporting foot allows the SPD to be safely grounded via the DIN-Rail. For single applications, the BSPD48RJ45 comes with a supplied mounting bracket with cable lug.

Fulfilling the requirements of Category 6, the BSPD48RJ45 can be universally used for all data services up to nominal voltages of 48V. It is well suited for existing services such as Gigabit Ethernet, ATM, ISDN, Voice over IP and Power over Ethernet (PoE+ acc. to IEEE 802.3at up to 57V) and similar applications in structured cabling systems according to Class E up to 250MHz. Protection of all pairs by means of powerful gas discharge tubes and one adapter filter matrix per pair.

- UL 497B Listed
- Easy to install or retrofit for protection of all lines
- CAT 6 according to ISO/IEC 11801
- CAT 6 in the channel (Class E)
- Power over Ethernet (PoE+ according to IEEE 802.3at)

### Dimensions -mm

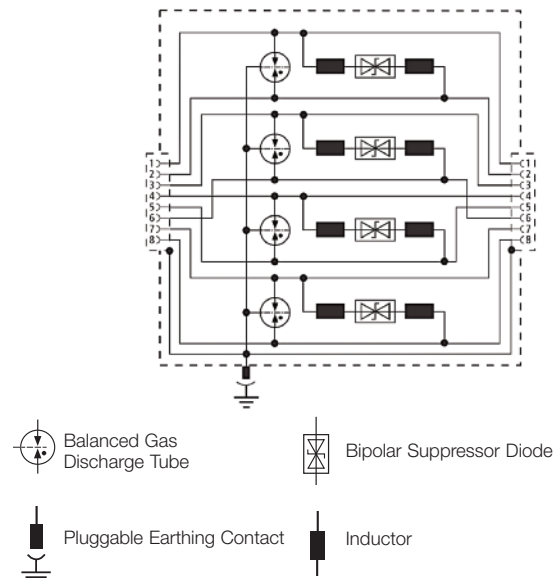


**BSPD48RJ45**



## DIN-Rail Mount SPD for RJ45 / Ethernet Connection

### Circuit Diagram



| TECHNICAL DATA   |                                 |
|--|---------------------------------|
| Catalog Number   | BSPD48RJ45                      |
| Nominal voltage (U <sub>N</sub> )  | 48V                             |
| Max. continuous operating DC voltage (U <sub>C</sub> )                           | 48V                             |
| Max. continuous operating AC voltage (U <sub>C</sub> )                           | 34V                             |
| Max. continuous DC voltage pair-pair (PoE) (U <sub>C</sub> )                     | 57V                             |
| Nominal current (I <sub>N</sub> )  | 1A                              |
| C2 Nominal discharge current (8/20μs) line-line (I <sub>n</sub> )                | 150A                            |
| C2 Nominal discharge current (8/20μs) line-PG (I <sub>n</sub> )                  | 2.5kA                           |
| C2 Total nominal discharge current (8/20μs) line-PG (I <sub>n</sub> )            | 10kA                            |
| C2 nominal discharge current (8/20μs) pair-pair (PoE) (I <sub>n</sub> )          | 150A                            |
| Voltage protection level line-line for I <sub>n</sub> C2 (U <sub>P</sub> )       | ≤190V                           |
| Voltage protection level line-PG for I <sub>n</sub> C2 (U <sub>P</sub> )         | ≤600V                           |
| Voltage protection level line-line for I <sub>n</sub> C2 (PoE) (U <sub>P</sub> ) | ≤600V                           |
| Voltage protection level line-line at 1kV/μs C3 (U <sub>P</sub> )                | ≤180V                           |
| Voltage protection level line-PG at 1kV/μs C3 (U <sub>P</sub> )                  | ≤500V                           |
| Voltage protection level pair-pair at 1kV/μs C3 (PoE) (U <sub>P</sub> )          | ≤600V                           |
| Insertion loss at 250MHz   | ≤3dB                            |
| Capacitance line-line (C)  | ≤30pF                           |
| Capacitance line-PG (C)  | ≤25pF                           |
| Operating temperature range  | -40°C to +80°C                  |
| Degree of protection   | IP10                            |
| For mounting on  | 35mm DIN-Rails per EN 60715     |
| Connection (input / output)  | RJ45 socket / RJ45 socket       |
| Pinning  | 1 / 2, 3 / 6, 4 / 5, 7 / 8      |
| Grounding  | Via 35mm DIN-Rails per EN 60715 |
| Enclosure material   | Zinc die casting                |
| Color  | Bare surface                    |
| Test standards   | IEC 61643-21 / EN 61643-21      |
| Agency information   | UL 497B                         |
| Warranty   | 5 Years*                        |

\* See Cooper Bussmann SPD Limited Warranty Statement (3A1502) for details at [www.cooperbussmann.com/Surge](http://www.cooperbussmann.com/Surge).

### DIN-Rail RJ45 SPDs Applications

| Part Number                                       | BSPD48RJ45 |
|---|------------|
| Bus systems and Measuring, and Control Technology |            |
| Industrial Ethernet                               | X          |
| Data Networks                                     |            |
| ATM   | X          |
| Ethernet 10/100/1000                              | X          |
| FDDI, CDDI  | X          |
| Industrial Ethernet                               | X          |
| Power over Ethernet (PoE)                         | X          |
| Token Ring  | X          |
| VG Any LAN  | X          |
| Video Systems                                     |            |
| Video (2 wire)                                    | X          |



The only controlled copy of this Data Sheet is the electronic read-only version located on the Cooper Bussmann Network Drive. All other copies of this document are by definition uncontrolled. This bulletin is intended to clearly present comprehensive product data and provide technical information that will help the end user with design applications. Cooper Bussmann reserves the right, without notice, to change design or construction of any products and to discontinue or limit distribution of any products. Cooper Bussmann also reserves the right to change or update, without notice, any technical information contained in this bulletin. Once a product has been selected, it should be tested by the user in all possible applications.

Компания «Life Electronics» занимается поставками электронных компонентов импортного и отечественного производства от производителей и со складов крупных дистрибьюторов Европы, Америки и Азии.

С конца 2013 года компания активно расширяет линейку поставок компонентов по направлению коаксиальный кабель, кварцевые генераторы и конденсаторы (керамические, пленочные, электролитические), за счёт заключения дистрибьюторских договоров

Мы предлагаем:

- Конкурентоспособные цены и скидки постоянным клиентам.
- Специальные условия для постоянных клиентов.
- Подбор аналогов.
- Поставку компонентов в любых объемах, удовлетворяющих вашим потребностям.
- Приемлемые сроки поставки, возможна ускоренная поставка.
- Доставку товара в любую точку России и стран СНГ.
- Комплексную поставку.
- Работу по проектам и поставку образцов.
- Формирование склада под заказчика.
- Сертификаты соответствия на поставляемую продукцию (по желанию клиента).
- Тестирование поставляемой продукции.
- Поставку компонентов, требующих военную и космическую приемку.
- Входной контроль качества.
- Наличие сертификата ISO.

В составе нашей компании организован Конструкторский отдел, призванный помогать разработчикам, и инженерам.

Конструкторский отдел помогает осуществить:

- Регистрацию проекта у производителя компонентов.
- Техническую поддержку проекта.
- Защиту от снятия компонента с производства.
- Оценку стоимости проекта по компонентам.
- Изготовление тестовой платы монтаж и пусконаладочные работы.



Тел: +7 (812) 336 43 04 (многоканальный)  
Email: [org@lifeelectronics.ru](mailto:org@lifeelectronics.ru)