

50 Ω TERMINATION TYPE HIGH POWER SPDT SWITCH FOR WiMAX

DESCRIPTION

The μ PG2176T5N is a GaAs MMIC 50 Ω termination type high power SPDT (Single Pole Double Throw) switch which was developed for WiMAX. This device can operate frequency from 2.3 to 5.85 GHz, having the low insertion loss and high isolation.

This device is housed in a 6-pin plastic TSON (Thin Small Out-line Non-leaded) package. And this package is able to high-density surface mounting.

FEATURES

- Control voltage : $V_{\text{cont (H)}} = 2.5$ to 5.0 V (3.0 V TYP.)
: $V_{\text{cont (L)}} = -0.3$ to 0.3 V (0 V TYP.)
- Low insertion loss : $L_{\text{ins1}} = 0.45$ dB TYP. @ $f = 2.3$ to 2.7 GHz, $V_{\text{cont (H)}} = 3.0$ V, $V_{\text{cont (L)}} = 0$ V
: $L_{\text{ins2}} = 0.55$ dB TYP. @ $f = 3.3$ to 3.8 GHz, $V_{\text{cont (H)}} = 3.0$ V, $V_{\text{cont (L)}} = 0$ V
: $L_{\text{ins3}} = 0.70$ dB TYP. @ $f = 4.9$ to 5.85 GHz, $V_{\text{cont (H)}} = 3.0$ V, $V_{\text{cont (L)}} = 0$ V
- High isolation : $ISL1 = 27$ dB TYP. @ $f = 2.3$ to 2.7 GHz, $V_{\text{cont (H)}} = 3.0$ V, $V_{\text{cont (L)}} = 0$ V
: $ISL2 = 24$ dB TYP. @ $f = 3.3$ to 3.8 GHz, $V_{\text{cont (H)}} = 3.0$ V, $V_{\text{cont (L)}} = 0$ V
: $ISL3 = 21$ dB TYP. @ $f = 4.9$ to 5.85 GHz, $V_{\text{cont (H)}} = 3.0$ V, $V_{\text{cont (L)}} = 0$ V
- Handling power : $P_{\text{in (1 dB)}} = +37.0$ dBm TYP. @ $f = 2.3$ to 2.7 GHz, $V_{\text{cont (H)}} = 3.0$ V, $V_{\text{cont (L)}} = 0$ V
: $P_{\text{in (1 dB)}} = +37.0$ dBm TYP. @ $f = 3.3$ to 3.8 GHz, $V_{\text{cont (H)}} = 3.0$ V, $V_{\text{cont (L)}} = 0$ V
: $P_{\text{in (1 dB)}} = +37.0$ dBm TYP. @ $f = 4.9$ to 5.85 GHz, $V_{\text{cont (H)}} = 3.0$ V, $V_{\text{cont (L)}} = 0$ V
- High-density surface mounting : 6-pin plastic TSON package ($1.5 \times 1.5 \times 0.37$ mm)

APPLICATION

- WiMAX and wireless LAN (IEEE802.11a/b/g/n)

ORDERING INFORMATION

| Part Number | Order Number | Package | Marking | Supplying Form |
|--------------------|----------------------|---------------------------------|---------|--|
| μ PG2176T5N-E2 | μ PG2176T5N-E2-A | 6-pin plastic TSON (Pb-Free) | G4Y | <ul style="list-style-type: none"> • Embossed tape 8 mm wide • Pin 1, 6 face the perforation side of the tape • Qty 3 kpcs/reel |

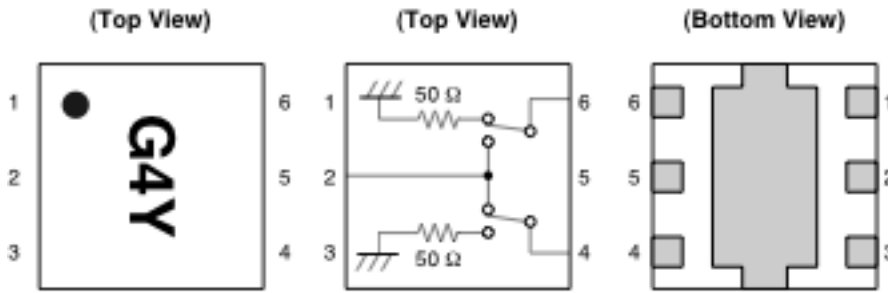
Remark To order evaluation samples, contact your nearby sales office.

Part number for sample order: μ PG2176T5N-A

Caution Observe precautions when handling because these devices are sensitive to electrostatic discharge.

The information in this document is subject to change without notice. Before using this document, please confirm that this is the latest version.

PIN CONNECTIONS AND INTERNAL BLOCK DIAGRAM



| Pin No. | Pin Name |
|---------|--------------------|
| 1 | V _{cont1} |
| 2 | INPUT |
| 3 | V _{cont2} |
| 4 | OUTPUT2 |
| 5 | GND |
| 6 | OUTPUT1 |

Remark Exposed pad : GND

TRUTH TABLE

| V _{cont1} | V _{cont2} | INPUT-OUTPUT1 | INPUT-OUTPUT2 |
|--------------------|--------------------|---------------|---------------|
| High | Low | ON | OFF |
| Low | High | OFF | ON |

ABSOLUTE MAXIMUM RATINGS (T_A = +25°C, unless otherwise specified)

| Parameter | Symbol | Ratings | Unit |
|--------------------------------|-----------------------|------------------------------|------|
| Switch Control Voltage | V _{cont} | -6.0 to +6.0 ^{Note} | V |
| Input Power (ON Port, peak) | P _{in} | +38 | dBm |
| Input Power (ON Port, average) | P _{in} | +28 | dBm |
| Input Power (OFF Port) | P _{in (OFF)} | +20 | dBm |
| Power Dissipation (average) | P _D | 150 | mW |
| Operating Ambient Temperature | T _A | -45 to +85 | °C |
| Storage Temperature | T _{stg} | -55 to +150 | °C |

Note |V_{cont1} - V_{cont2}| ≤ 6.0 V

RECOMMENDED OPERATING RANGE (T_A = +25°C, unless otherwise specified)

| Parameter | Symbol | MIN. | TYP. | MAX. | Unit |
|----------------------------|-----------------------|------|------|------|------|
| Operating Frequency | f _{opt1} | 2.3 | - | 2.7 | GHz |
| | f _{opt2} | 3.3 | - | 3.8 | GHz |
| | f _{opt3} | 4.90 | - | 5.85 | GHz |
| Switch Control Voltage (H) | V _{cont (H)} | +2.5 | +3.0 | +5.0 | V |
| Switch Control Voltage (L) | V _{cont (L)} | -0.3 | 0 | +0.3 | V |

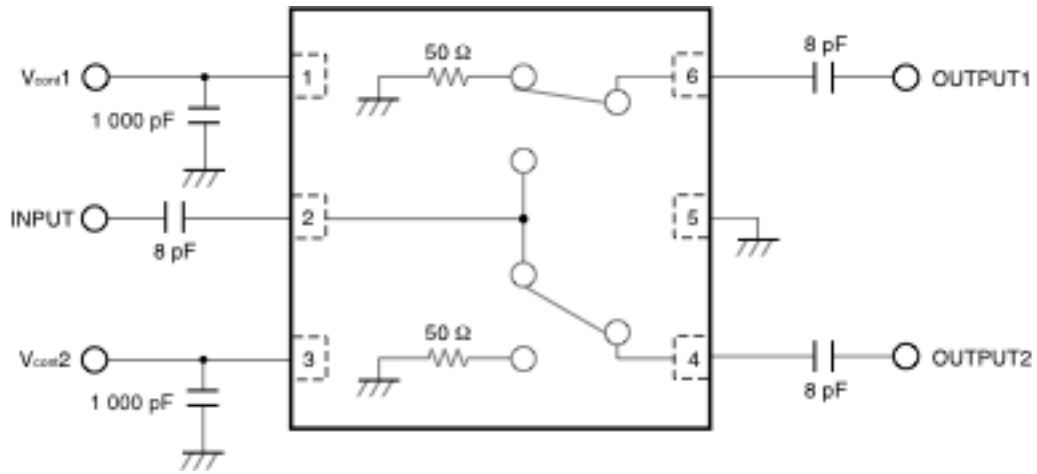
ELECTRICAL CHARACTERISTICS

(T_A = +25°C, V_{cont} (H) = 3.0 V, V_{cont} (L) = 0 V, DC blocking capacitors = 8 pF, unless otherwise specified)

| Parameter | Symbol | Test Conditions | MIN. | TYP. | MAX. | Unit |
|--|------------------------|----------------------|-------|-------|------|------|
| Insertion Loss 1 | L _{ins1} | f = 2.3 to 2.7 GHz | – | 0.45 | 0.70 | dB |
| Insertion Loss 2 | L _{ins2} | f = 3.3 to 3.8 GHz | – | 0.55 | 0.80 | dB |
| Insertion Loss 3 | L _{ins3} | f = 4.9 to 5.85 GHz | – | 0.70 | 0.95 | dB |
| Isolation 1 (INPUT–OFF Port) | ISL1 | f = 2.3 to 2.7 GHz | 24 | 27 | – | dB |
| Isolation 2 (INPUT–OFF Port) | ISL2 | f = 3.3 to 3.8 GHz | 21 | 24 | – | dB |
| Isolation 3 (INPUT–OFF Port) | ISL3 | f = 4.9 to 5.85 GHz | 18 | 21 | – | dB |
| Isolation 4 (OUTPUT1–OUTPUT2) | ISL4 | f = 2.3 to 2.7 GHz | 22 | 25 | – | dB |
| Isolation 5 (OUTPUT1–OUTPUT2) | ISL5 | f = 3.3 to 3.8 GHz | 20 | 23 | – | dB |
| Isolation 6 (OUTPUT1–OUTPUT2) | ISL6 | f = 4.9 to 5.85 GHz | 17 | 20 | – | dB |
| Input Return Loss 1 | RL _{in1} | f = 2.3 to 2.7 GHz | 10 | 15 | – | dB |
| Input Return Loss 2 | RL _{in2} | f = 3.3 to 3.8 GHz | 10 | 15 | – | dB |
| Input Return Loss 3 | RL _{in3} | f = 4.9 to 5.85 GHz | 10 | 15 | – | dB |
| Output Return Loss 1 | RL _{out1} | f = 2.3 to 2.7 GHz | 10 | 15 | – | dB |
| Output Return Loss 2 | RL _{out2} | f = 3.3 to 3.8 GHz | 10 | 15 | – | dB |
| Output Return Loss 3 | RL _{out3} | f = 4.9 to 5.85 GHz | 10 | 15 | – | dB |
| Unused Port Return Loss 1 | URL1 | f = 2.3 to 2.7 GHz | 10 | 15 | – | dB |
| Unused Port Return Loss 2 | URL2 | f = 3.3 to 3.8 GHz | 10 | 15 | – | dB |
| Unused Port Return Loss 3 | URL3 | f = 4.9 to 5.85 GHz | 10 | 15 | – | dB |
| 1 dB Loss Compression Input Power ^{Note} | P _{in} (1 dB) | f = 2.3 to 2.7 GHz | +35.0 | +37.0 | – | dBm |
| | | f = 3.3 to 3.8 GHz | +35.0 | +37.0 | – | dBm |
| | | f = 4.9 to 5.85 GHz | +35.0 | +37.0 | – | dBm |
| Switch Control Current | I _{cont} | RF None | – | 16 | 30 | μA |
| Switch Control Speed | t _{sw} | 50% CTL to 90/10% RF | – | 100 | 250 | ns |

Note P_{in} (1 dB) is measured the input power level when the insertion loss increases more 1 dB than that of linear range.

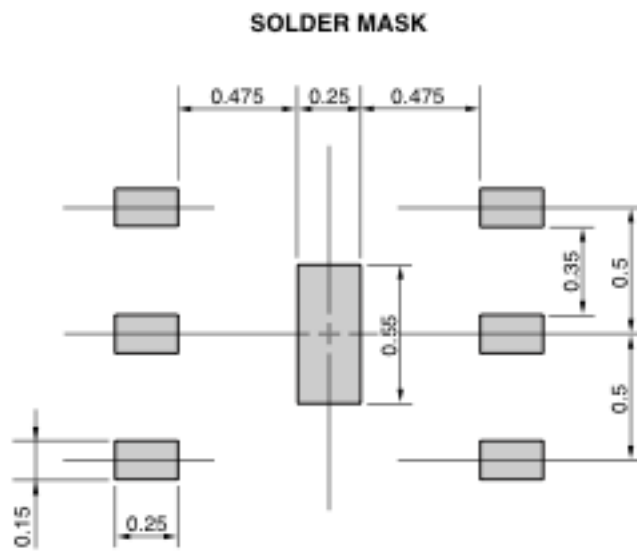
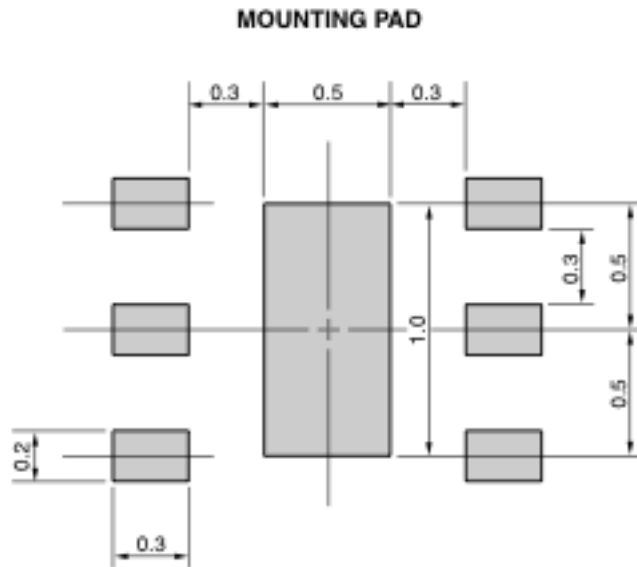
EVALUATION CIRCUIT



The application circuits and their parameters are for reference only and are not intended for use in actual design-ins.

<R> MOUNTING PAD AND SOLDER MASK LAYOUT DIMENSIONS

6-PIN PLASTIC TSON (UNIT: mm)

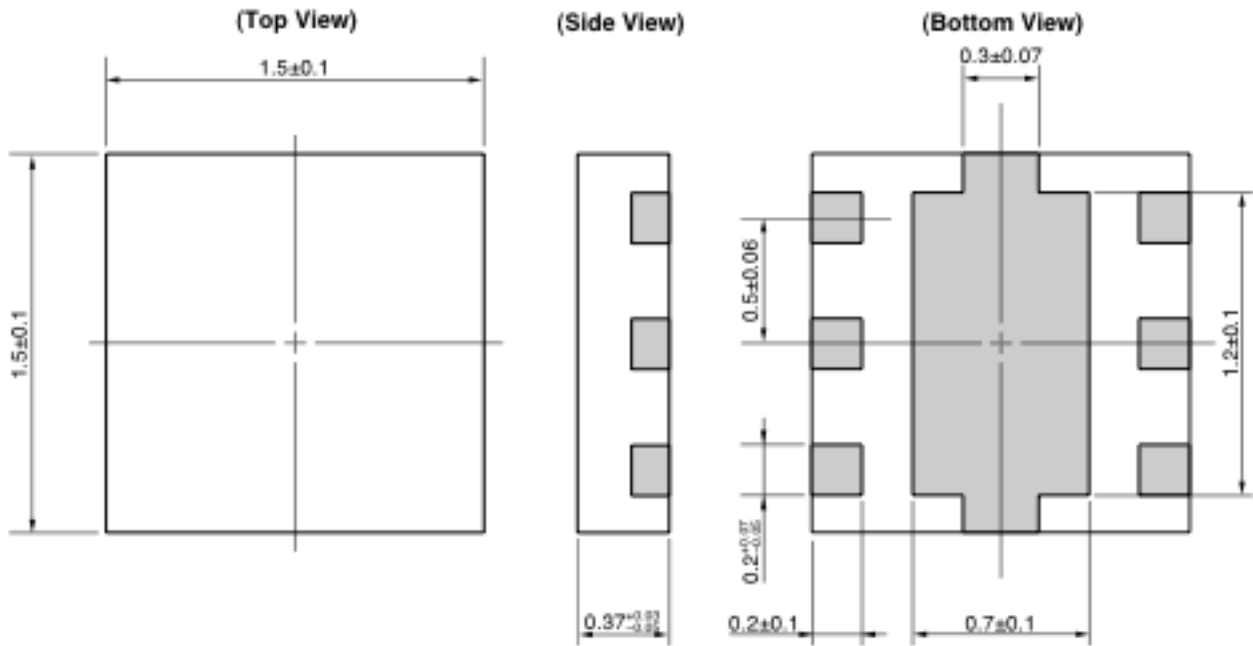


Solder thickness : 0.08 mm

Remark The mounting pad and solder mask layouts in this document are for reference only.

<R> **PACKAGE DIMENSIONS**

6-PIN PLASTIC TSON (UNIT: mm)



RECOMMENDED SOLDERING CONDITIONS

This product should be soldered and mounted under the following recommended conditions. For soldering methods and conditions other than those recommended below, contact your nearby sales office.

| Soldering Method | Soldering Conditions | Condition Symbol |
|------------------|---|------------------|
| Infrared Reflow | Peak temperature (package surface temperature) : 260°C or below Time at peak temperature : 10 seconds or less Time at temperature of 220°C or higher : 60 seconds or less Preheating time at 120 to 180°C : 120±30 seconds Maximum number of reflow processes : 3 times Maximum chlorine content of rosin flux (% mass) : 0.2%(Wt.) or below | IR260 |
| Wave Soldering | Peak temperature (molten solder temperature) : 260°C or below Time at peak temperature : 10 seconds or less Preheating temperature (package surface temperature) : 120°C or below Maximum number of flow processes : 1 time Maximum chlorine content of rosin flux (% mass) : 0.2%(Wt.) or below | WS260 |
| Partial Heating | Peak temperature (terminal temperature) : 350°C or below Soldering time (per side of device) : 3 seconds or less Maximum chlorine content of rosin flux (% mass) : 0.2%(Wt.) or below | HS350 |

Caution Do not use different soldering methods together (except for partial heating).

| | |
|-------------------------------------|---|
| <p>Caution GaAs Products</p> | <p>This product uses gallium arsenide (GaAs). GaAs vapor and powder are hazardous to human health if inhaled or ingested, so please observe the following points.</p> <ul style="list-style-type: none"> • Follow related laws and ordinances when disposing of the product. If there are no applicable laws and/or ordinances, dispose of the product as recommended below. <ol style="list-style-type: none"> 1. Commission a disposal company able to (with a license to) collect, transport and dispose of materials that contain arsenic and other such industrial waste materials. 2. Exclude the product from general industrial waste and household garbage, and ensure that the product is controlled (as industrial waste subject to special control) up until final disposal. <ul style="list-style-type: none"> • Do not burn, destroy, cut, crush, or chemically dissolve the product. • Do not lick the product or in any way allow it to enter the mouth. |
|-------------------------------------|---|

Компания «Life Electronics» занимается поставками электронных компонентов импортного и отечественного производства от производителей и со складов крупных дистрибьюторов Европы, Америки и Азии.

С конца 2013 года компания активно расширяет линейку поставок компонентов по направлению коаксиальный кабель, кварцевые генераторы и конденсаторы (керамические, пленочные, электролитические), за счёт заключения дистрибьюторских договоров

Мы предлагаем:

- Конкурентоспособные цены и скидки постоянным клиентам.
- Специальные условия для постоянных клиентов.
- Подбор аналогов.
- Поставку компонентов в любых объемах, удовлетворяющих вашим потребностям.
- Приемлемые сроки поставки, возможна ускоренная поставка.
- Доставку товара в любую точку России и стран СНГ.
- Комплексную поставку.
- Работу по проектам и поставку образцов.
- Формирование склада под заказчика.
- Сертификаты соответствия на поставляемую продукцию (по желанию клиента).
- Тестирование поставляемой продукции.
- Поставку компонентов, требующих военную и космическую приемку.
- Входной контроль качества.
- Наличие сертификата ISO.

В составе нашей компании организован Конструкторский отдел, призванный помогать разработчикам, и инженерам.

Конструкторский отдел помогает осуществить:

- Регистрацию проекта у производителя компонентов.
- Техническую поддержку проекта.
- Защиту от снятия компонента с производства.
- Оценку стоимости проекта по компонентам.
- Изготовление тестовой платы монтаж и пусконаладочные работы.



Тел: +7 (812) 336 43 04 (многоканальный)

Email: org@lifeelectronics.ru