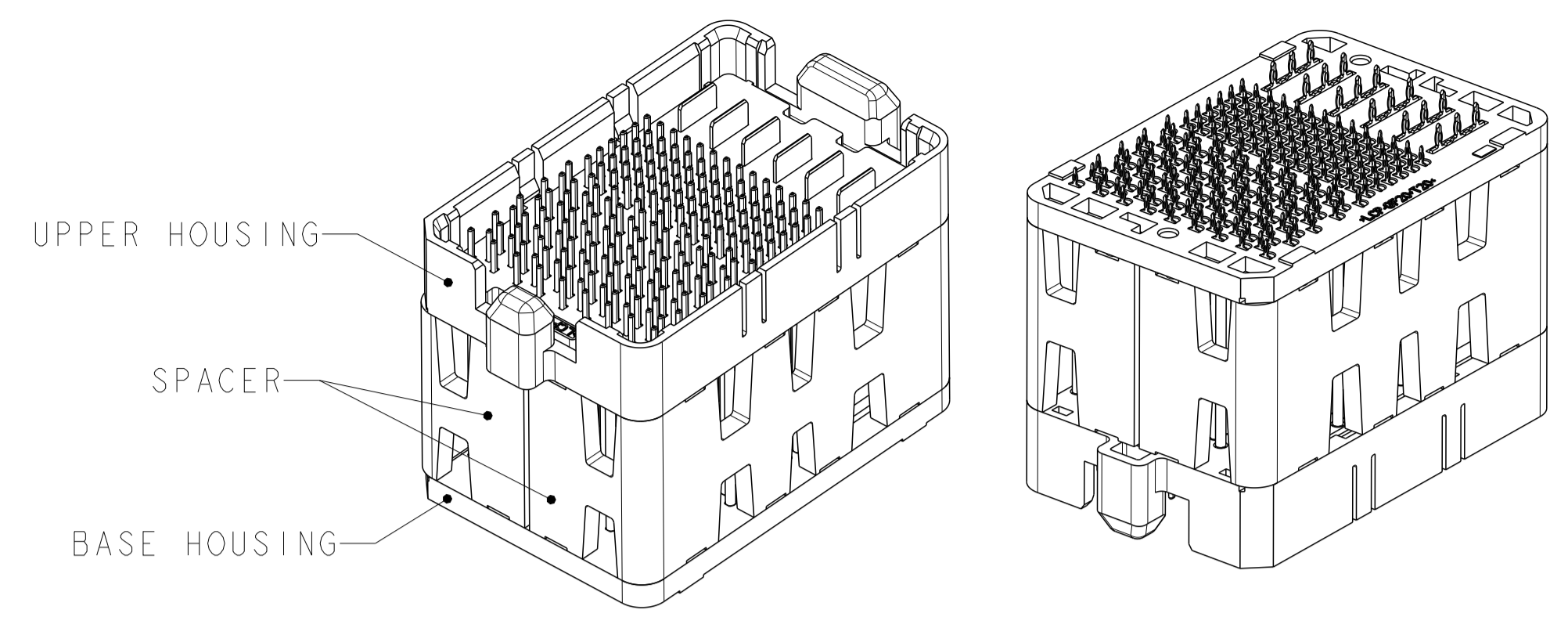
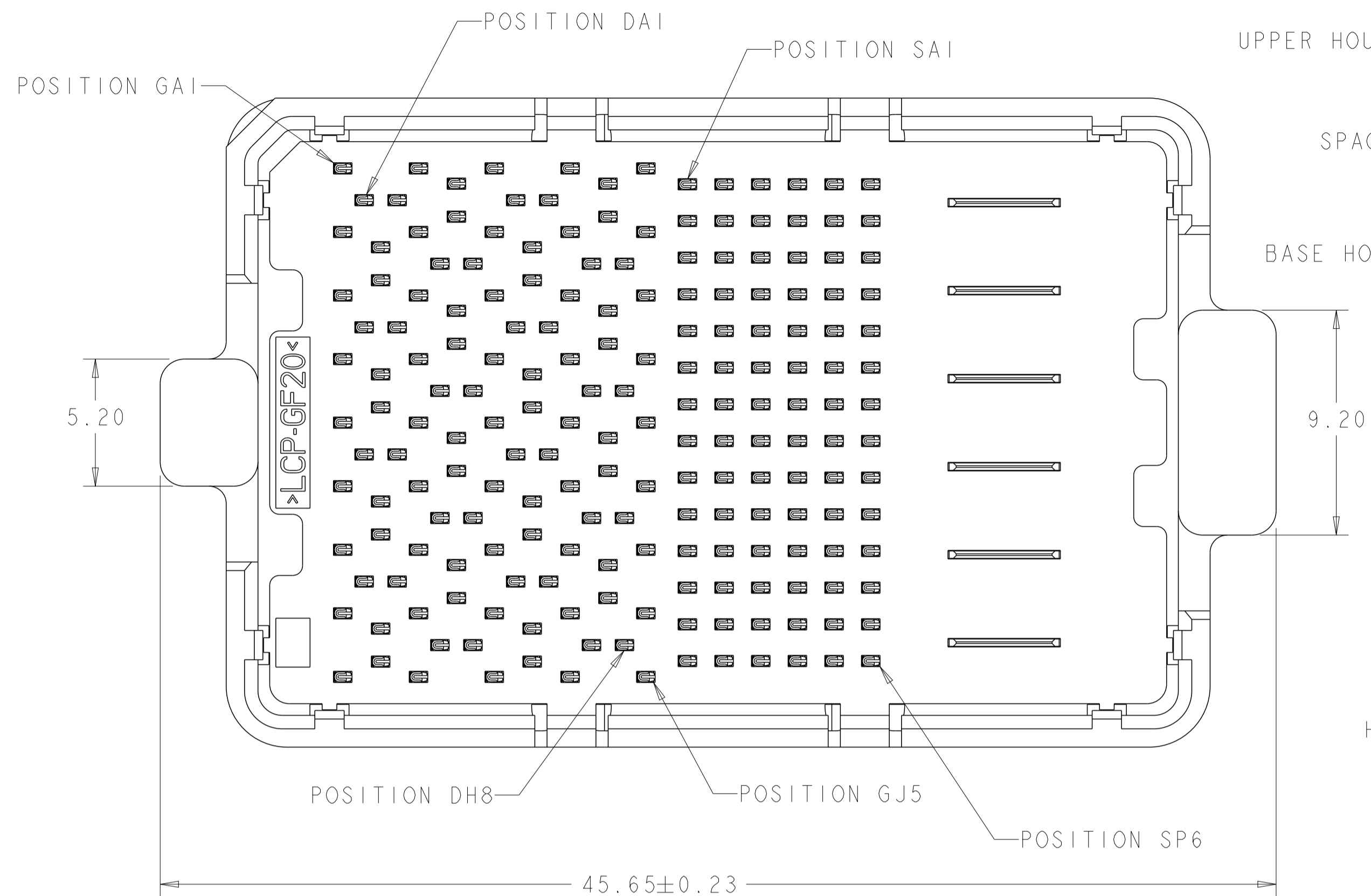
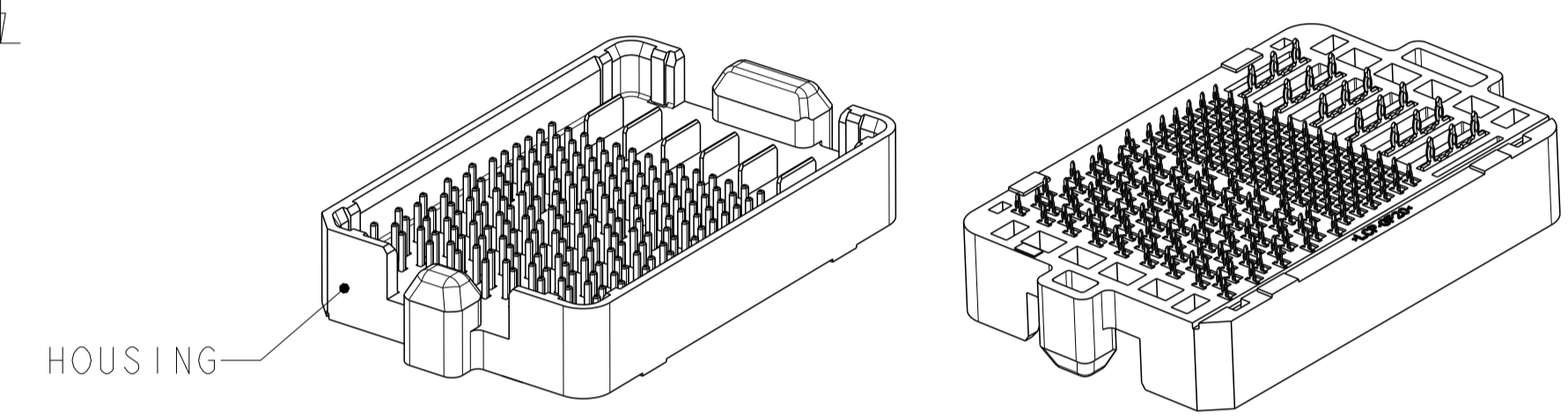


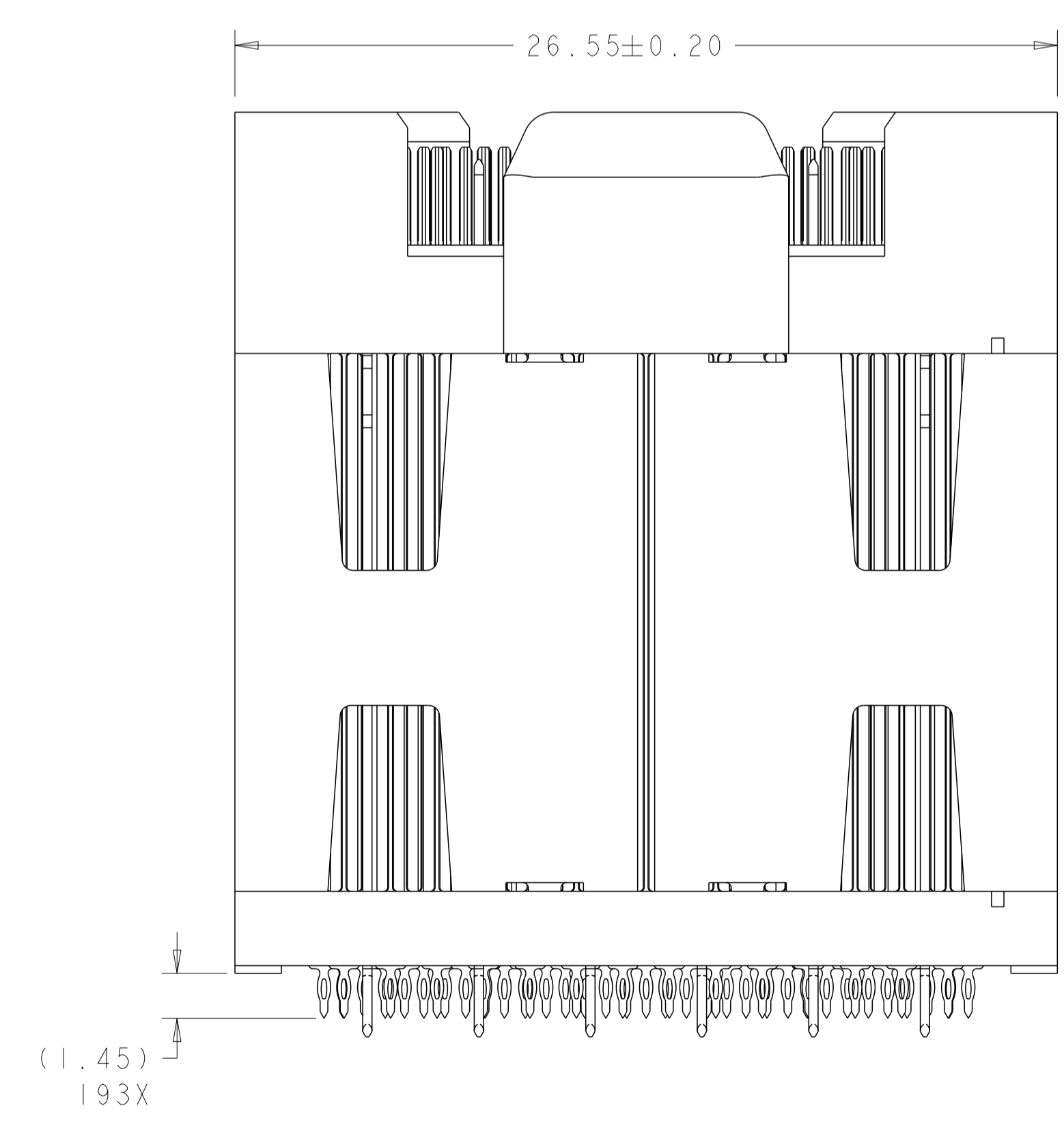
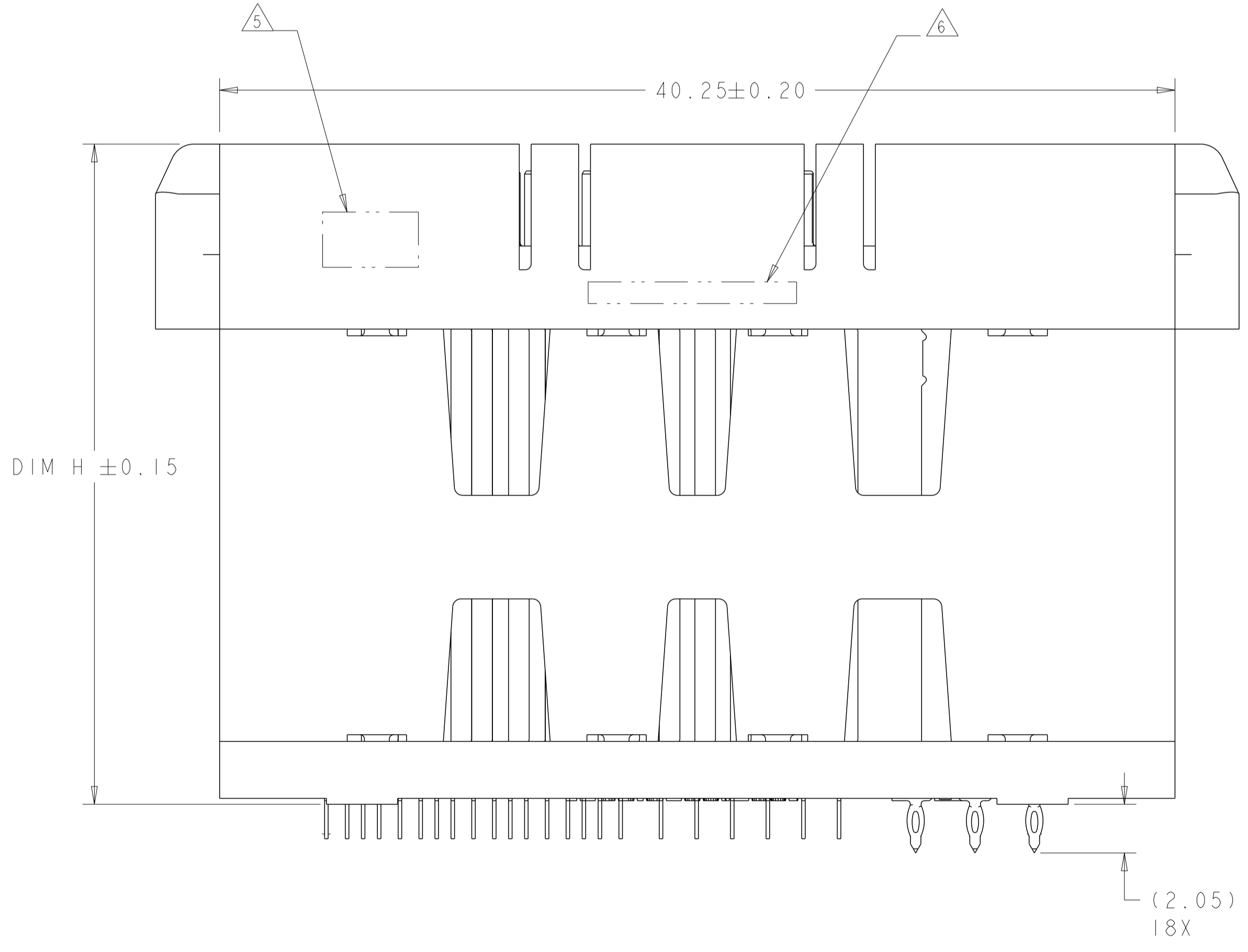
LOC	DIST	REVISIONS					
GP	00	P	LYR	DESCRIPTION	DATE	DWN	APVD
		A1		REVISED PER ECO-12-017494	10OCT2012	KH	MH



ISOMETRIC VIEW  
TYPICAL CONFIGURATION FOR 14mm THRU 42mm  
28mm SHOWN  
SCALE 2:1



ISOMETRIC VIEW  
TYPICAL CONFIGURATION FOR 8mm THRU 13mm  
8mm SHOWN  
SCALE 2:1



- 1 MATERIAL:  
BASE HOUSING, UPPER HOUSING, ORGANIZER,  
AND SPACER: THERMOPLASTIC, FLAMMABILITY  
RATING UL94-V0  
CONTACT: COPPER ALLOY
- 2. CONFORMS TO THE REQUIREMENTS OF TE PRODUCT  
SPECIFICATION, 108-2375; BASED ON TELCORDIA  
GR-1217-CORE FOR SYSTEM QUALITY LEVEL III,  
APPLICATIONS IN CONTROLLED ENVIRONMENTS  
(CENTRAL OFFICE).  
SEE TE PRODUCT SPECIFICATION 108-2375 FOR  
TEST SEQUENCES.
- 3 ROWS GA THRU GJ (SHOWN DARKENED) ARE TYPICALLY  
USED AS GROUNDS.
- 4 SPECIFIED POSITIONAL TOLERANCE DEFINES HOLE TO  
HOLE LOCATION WITHIN HOLE PATTERN. POSITIONAL  
TOLERANCE OF HOLE PATTERN TO FIDUCIAL MARKS  
OR PCB DATUMS SHALL BE DEFINED BY CUSTOMER.
- 5 AREA RESERVED FOR TE CONNECTIVITY LOGO.
- 6 AREA RESERVED FOR PART NUMBER (X-XXXXXXX-X)  
AND DATE CODE (YYWW).
- 7 USE CENTERLINES INDICATED ON PCB HOLE PATTERN  
TO ESTABLISH ALIGNMENT BETWEEN HEADER AND  
RECEPTACLE BOARDS.
- 8 PLATED THROUGH HOLE REQUIREMENTS - SIGNAL:  
HOLE SIZE PRIOR TO PLATING =  $\varnothing 0.420 \pm 0.013$   
COPPER PLATING THICKNESS =  $0.038 \pm 0.013$   
CALCULATED FINISHED HOLE SIZE =  $\varnothing 0.344 \pm 0.039$   
THESE DIMENSIONS APPLY TO THE TOP 1.25mm OF  
THE PCB THICKNESS FROM THE CONNECTOR MOUNTING  
SIDE.
- 9 PLATED THROUGH HOLE REQUIREMENTS - POWER:  
HOLE SIZE PRIOR TO PLATING =  $\varnothing 0.700 \pm 0.025$   
COPPER PLATING THICKNESS =  $0.038 \pm 0.013$   
CALCULATED FINISHED HOLE SIZE =  $\varnothing 0.624 \pm 0.051$   
THESE DIMENSIONS APPLY TO THE TOP 1.50mm OF  
THE PCB THICKNESS FROM THE CONNECTOR MOUNTING  
SIDE.
- 10 CONTACT SALES FOR AVAILABILITY OF THIS STACK  
HEIGHT.

**SIZE 2 HOUSING W/ GUIDE POSTS \***  
**32 DIFFERENTIAL PAIRS**  
**84 HIGH-DENSITY GRID**  
**193 TOTAL SIGNAL CONTACTS**  
**6 POWER CONTACTS**

\* SIZE 1 AND SIZE 3 ARE ALSO AVAILABLE

THIS DRAWING IS A CONTROLLED DOCUMENT.		DWN D. RINGLER 05SEP2008	TE Connectivity
DIMENSIONS:		CHK D. TROUT 05SEP2008	
mm	TOLERANCES UNLESS OTHERWISE SPECIFIED:	APVD J. FEEDER 05SEP2008	NAME HEADER ASSEMBLY 32/84/6P STRADA MESA MEZZANINE CONNECTOR
0 PLC ±	1 PLC ±0.13	PRODUCT SPEC 108-2375	SIZE A1
2 PLC ±0.13	3 PLC ±0.013	APPLICATION SPEC 114-13249	CAGE CODE 2057470
4 PLC ±	ANGLES ±1	WEIGHT	RESTRICTED TO
MATERIAL	FINISH	Customer Drawing	SCALE 6:1 SHEET 1 OF 4 REV A1

THIS DRAWING IS UNPUBLISHED. RELEASED FOR PUBLICATION 20  
 © COPYRIGHT 20 BY - ALL RIGHTS RESERVED.

LOC	DIST	REVISIONS					
GP	00	P	LTN	DESCRIPTION	DATE	DMN	APVD
		-		SEE SHEET 1			

	41.8	42mm	MATTE Sn	9-2057470-2
	40.8	41mm	MATTE Sn	9-2057470-1
YES	39.8	40mm	MATTE Sn	9-2057470-0
	38.8	39mm	MATTE Sn	8-2057470-9
	37.8	38mm	MATTE Sn	8-2057470-8
	36.8	37mm	MATTE Sn	8-2057470-7
	35.8	36mm	MATTE Sn	8-2057470-6
	34.8	35mm	MATTE Sn	8-2057470-5
	33.8	34mm	MATTE Sn	8-2057470-4
	32.8	33mm	MATTE Sn	8-2057470-3
	31.8	32mm	MATTE Sn	8-2057470-2
	30.8	31mm	MATTE Sn	8-2057470-1
	29.8	30mm	MATTE Sn	8-2057470-0
	28.8	29mm	MATTE Sn	7-2057470-9
YES	27.8	28mm	MATTE Sn	7-2057470-8
	26.8	27mm	MATTE Sn	7-2057470-7
	25.8	26mm	MATTE Sn	7-2057470-6
	24.8	25mm	MATTE Sn	7-2057470-5
	23.8	24mm	MATTE Sn	7-2057470-4
YES	22.8	23mm	MATTE Sn	7-2057470-3
	21.8	22mm	MATTE Sn	7-2057470-2
	20.8	21mm	MATTE Sn	7-2057470-1
	19.8	20mm	MATTE Sn	7-2057470-0
	18.8	19mm	MATTE Sn	6-2057470-9
	17.8	18mm	MATTE Sn	6-2057470-8
	16.8	17mm	MATTE Sn	6-2057470-7
	15.8	16mm	MATTE Sn	6-2057470-6
	14.8	15mm	MATTE Sn	6-2057470-5
	13.8	14mm	MATTE Sn	6-2057470-4
	12.8	13mm	MATTE Sn	6-2057470-3
	11.8	12mm	MATTE Sn	6-2057470-2
YES	10.8	11mm	MATTE Sn	6-2057470-1
	9.8	10mm	MATTE Sn	6-2057470-0
	8.8	9mm	MATTE Sn	5-2057470-9
	7.8	8mm	MATTE Sn	5-2057470-8
TOOLED	DIM H	STACK HEIGHT	CONTACT TAIL PLATING	PART NUMBER

	41.8	42mm	Sn/Pb	4-2057470-2
	40.8	41mm	Sn/Pb	4-2057470-1
YES	39.8	40mm	Sn/Pb	4-2057470-0
	38.8	39mm	Sn/Pb	3-2057470-9
	37.8	38mm	Sn/Pb	3-2057470-8
	36.8	37mm	Sn/Pb	3-2057470-7
	35.8	36mm	Sn/Pb	3-2057470-6
	34.8	35mm	Sn/Pb	3-2057470-5
	33.8	34mm	Sn/Pb	3-2057470-4
	32.8	33mm	Sn/Pb	3-2057470-3
	31.8	32mm	Sn/Pb	3-2057470-2
	30.8	31mm	Sn/Pb	3-2057470-1
	29.8	30mm	Sn/Pb	3-2057470-0
	28.8	29mm	Sn/Pb	2-2057470-9
YES	27.8	28mm	Sn/Pb	2-2057470-8
	26.8	27mm	Sn/Pb	2-2057470-7
	25.8	26mm	Sn/Pb	2-2057470-6
	24.8	25mm	Sn/Pb	2-2057470-5
	23.8	24mm	Sn/Pb	2-2057470-4
YES	22.8	23mm	Sn/Pb	2-2057470-3
	21.8	22mm	Sn/Pb	2-2057470-2
	20.8	21mm	Sn/Pb	2-2057470-1
	19.8	20mm	Sn/Pb	2-2057470-0
	18.8	19mm	Sn/Pb	1-2057470-9
	17.8	18mm	Sn/Pb	1-2057470-8
	16.8	17mm	Sn/Pb	1-2057470-7
	15.8	16mm	Sn/Pb	1-2057470-6
	14.8	15mm	Sn/Pb	1-2057470-5
	13.8	14mm	Sn/Pb	1-2057470-4
	12.8	13mm	Sn/Pb	1-2057470-3
	11.8	12mm	Sn/Pb	1-2057470-2
YES	10.8	11mm	Sn/Pb	1-2057470-1
	9.8	10mm	Sn/Pb	1-2057470-0
	8.8	9mm	Sn/Pb	2057470-9
	7.8	8mm	Sn/Pb	2057470-8
TOOLED	DIM H	STACK HEIGHT	CONTACT TAIL PLATING	PART NUMBER

THIS DRAWING IS A CONTROLLED DOCUMENT. DIMENSIONS: mm. TOLERANCES UNLESS OTHERWISE SPECIFIED: 0 PLC ±. 1 PLC ±0.13. 2 PLC ±0.13. 3 PLC ±0.13. 4 PLC ±. ANGLES ±. FINISH.

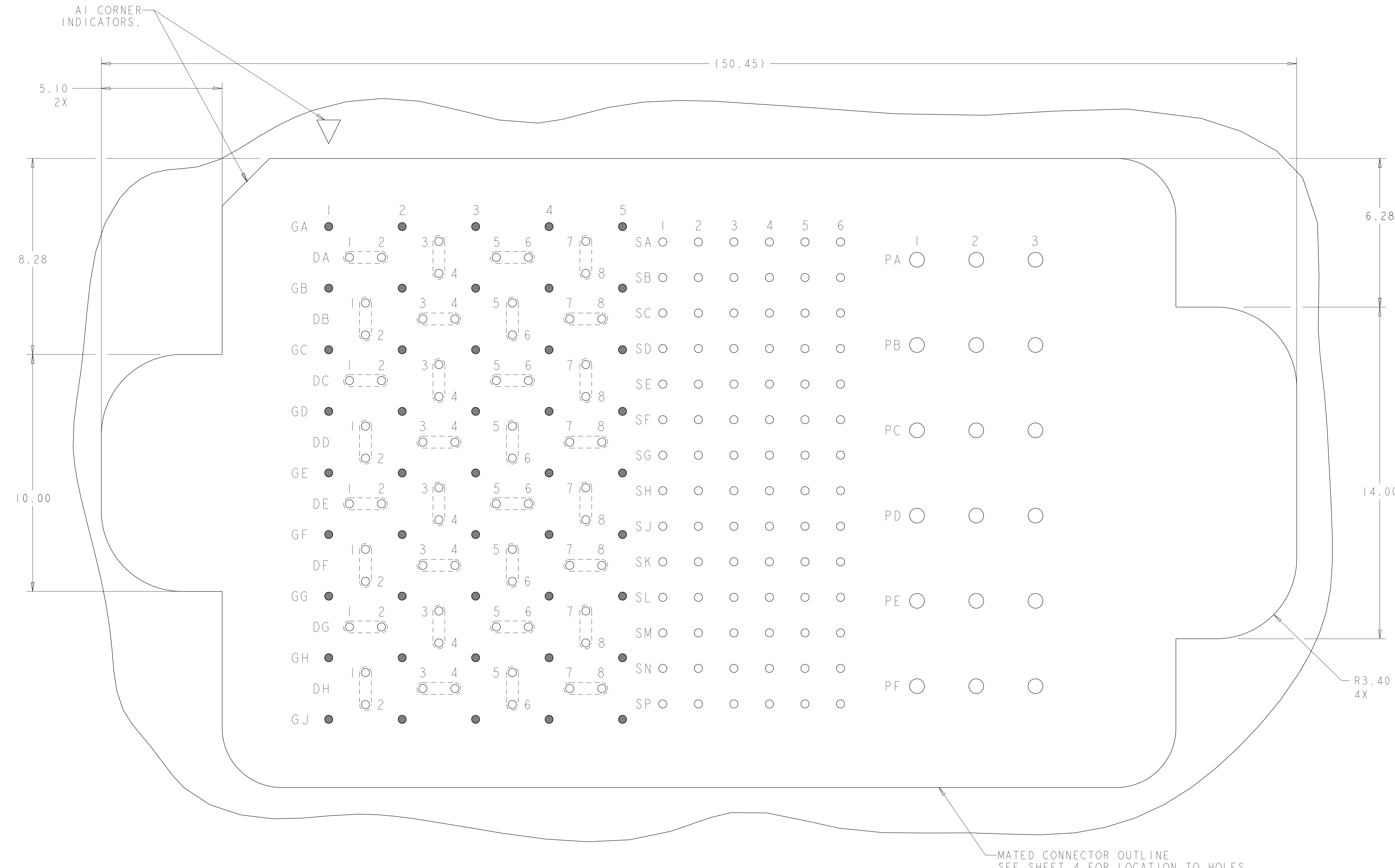
DMN: D. RINGLER 05SEP2008  
 CHK: D. TROUT 05SEP2008  
 APVD: J. FEEDER 05SEP2008

NAME: HEADER ASSEMBLY 32/84/6P STRADA MESA MEZZANINE CONNECTOR

SIZE: A1. CAGE CODE: 114-13249. DRAWING NO: 100779. RESTRICTED TO: A1.

Customer Drawing. SCALE: 6:1. SHEET: 2 OF 4. REV: A1.

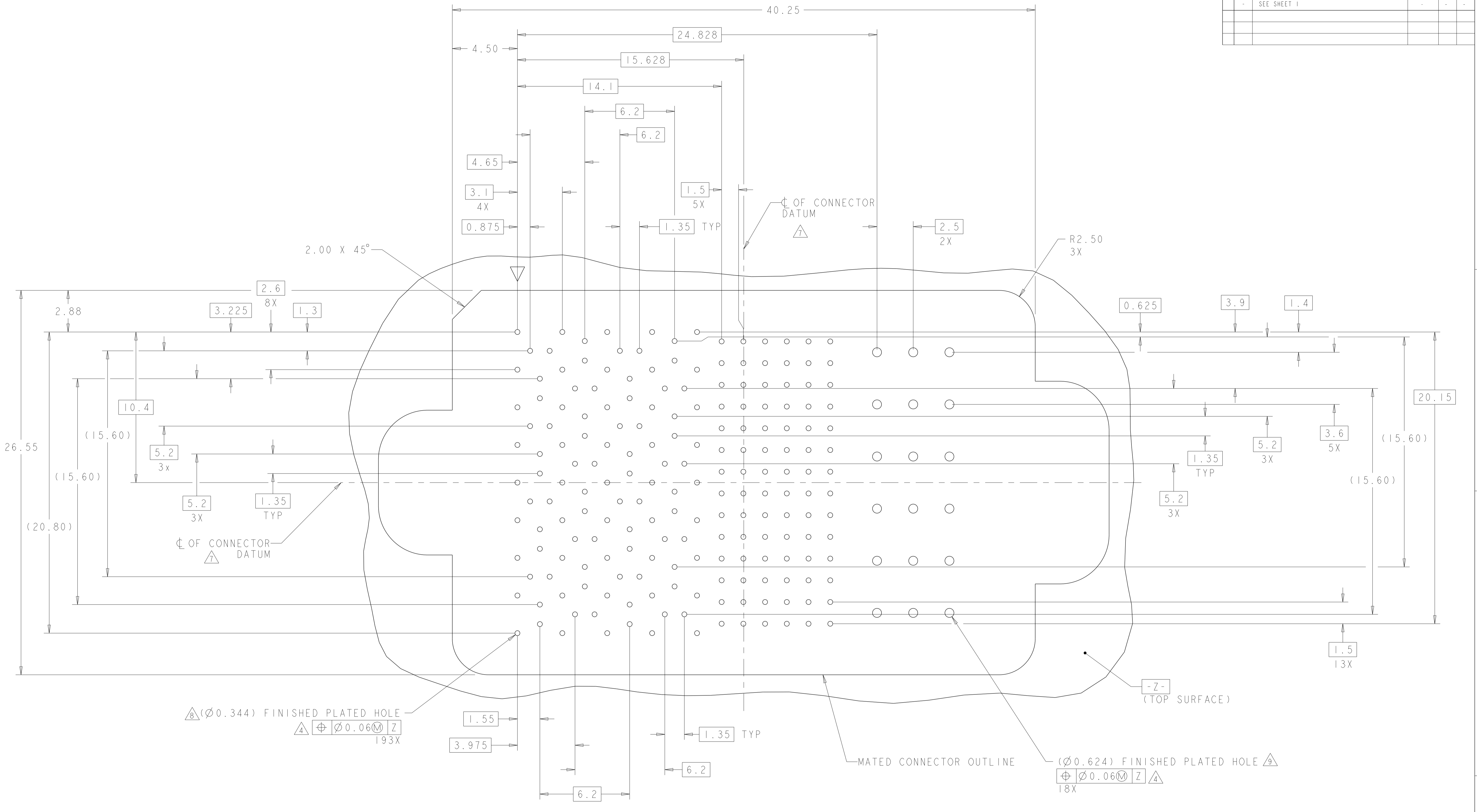
LOC	DIST	REVISIONS			
P	LTN	DESCRIPTION	DATE	DWN	APVD
-	-	SEE SHEET 1	-	-	-



**PCB LAYOUT AND PIN IDENTIFICATION**   
 SHOWN FROM CONNECTOR SIDE  
 SCALE 12:1

THIS DRAWING IS A CONTROLLED DOCUMENT.		DWN D. RINGLER 05SEP2008	TE Connectivity
DIMENSIONS:		CHK D. TROUT 05SEP2008	
mm	TOLERANCES UNLESS OTHERWISE SPECIFIED:	APVD J. FEEDER 05SEP2008	NAME HEADER ASSEMBLY 32/84/6P
0 PLC ±	1 PLC ±0.13	PRODUCT SPEC	STRADA MESA MEZZANINE CONNECTOR
2 PLC ±0.13	3 PLC ±0.013	APPLICATION SPEC	SIZE CAGE CODE DRAWING NO RESTRICTED TO
4 PLC ±	ANGLES ±1	114-13249	A100779C=2057470
MATERIAL	FINISH	WEIGHT	SCALE 6:1 SHEET 3 OF 4 REV A1
Customer Drawing			

LOC		DIST		REVISIONS			
GP	00	P	LYR	DESCRIPTION	DATE	OWN	APVD
		-		SEE SHEET 1			



△(∅0.344) FINISHED PLATED HOLE  
 4 ⊕ ∅0.06 M Z 193X

∅0.624) FINISHED PLATED HOLE  
 ⊕ ∅0.06 M Z 18X

**PCB HOLE PATTERN**  
 SHOWN FROM CONNECTOR SIDE  
 SCALE 8:1

THIS DRAWING IS A CONTROLLED DOCUMENT.		OWN D. RINGLER 05SEP2008	TE Connectivity
DIMENSIONS:		CHK D. TROUT 05SEP2008	
mm	TOLERANCES UNLESS OTHERWISE SPECIFIED:	APVD J. FEEDER 05SEP2008	NAME HEADER ASSEMBLY
0 PLC ± 1 PLC ±0.13 2 PLC ±0.13 3 PLC ±0.13 4 PLC ± ANGLES ±1	0 PLC ± 1 PLC ±0.13 2 PLC ±0.13 3 PLC ± 4 PLC ± ANGLES ±1	PRODUCT SPEC 108-2375	SIZE 32/84/6P
MATERIAL	FINISH	APPLICATION SPEC 114-13249	RESTRICTED TO
		WEIGHT	A100779C=2057470
		Customer Drawing	SCALE 6:1 SHEET 4 OF 4 REV A1

Компания «Life Electronics» занимается поставками электронных компонентов импортного и отечественного производства от производителей и со складов крупных дистрибьюторов Европы, Америки и Азии.

С конца 2013 года компания активно расширяет линейку поставок компонентов по направлению коаксиальный кабель, кварцевые генераторы и конденсаторы (керамические, пленочные, электролитические), за счёт заключения дистрибьюторских договоров

Мы предлагаем:

- Конкурентоспособные цены и скидки постоянным клиентам.
- Специальные условия для постоянных клиентов.
- Подбор аналогов.
- Поставку компонентов в любых объемах, удовлетворяющих вашим потребностям.
- Приемлемые сроки поставки, возможна ускоренная поставка.
- Доставку товара в любую точку России и стран СНГ.
- Комплексную поставку.
- Работу по проектам и поставку образцов.
- Формирование склада под заказчика.
- Сертификаты соответствия на поставляемую продукцию (по желанию клиента).
- Тестирование поставляемой продукции.
- Поставку компонентов, требующих военную и космическую приемку.
- Входной контроль качества.
- Наличие сертификата ISO.

В составе нашей компании организован Конструкторский отдел, призванный помогать разработчикам, и инженерам.

Конструкторский отдел помогает осуществить:

- Регистрацию проекта у производителя компонентов.
- Техническую поддержку проекта.
- Защиту от снятия компонента с производства.
- Оценку стоимости проекта по компонентам.
- Изготовление тестовой платы монтаж и пусконаладочные работы.



Тел: +7 (812) 336 43 04 (многоканальный)  
Email: [org@lifeelectronics.ru](mailto:org@lifeelectronics.ru)