

THE INFORMATION CONTAINED HEREIN IS CONSIDERED "PROPRIETARY" TO BEL FUSE INC. AND SHALL NOT BE COPIED, REPRODUCED OR DISCLOSED WITHOUT THE WRITTEN APPROVAL OF BEL FUSE INC.

LED POLARITY		
PIN 11	PIN 12	COLOR
-	+	GREEN
+	-	ORANGE

RoHS



ELECTRICAL CHARACTERISTICS @ 25°C

URNS RATIO

TP1	1CT : 1CT ±2%
TP2	1CT : 1CT ±2%
TP3	1CT : 1CT ±2%
TP4	1CT : 1CT ±2%

CL @ 100kHz/100mVRMS

8mA DC BIAS 350µH MIN.

INS. LOSS

0.1MHz TO 1MHz	-1.1 dB MAX
1MHz TO 65MHz	-0.5 dB MAX
65MHz TO 100MHz	-0.8 dB MAX
100MHz TO 125MHz	-1.2 dB MAX

RET. LOSS (MIN)

0.5MHz-40MHz	-18 dB
40MHz-100MHz	-12+20LOG(f/80MHz) dB

CM TO CM REJ

100kHz - 100MHz -30 dB MIN

CM TO DM REJ

100kHz - 100MHz -35 dB MIN

HIPOT (Isolation Voltage):

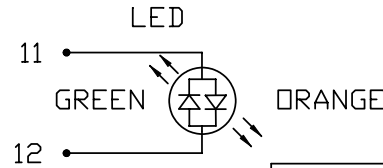
1500 Vrms or 2250VDC

100% OF PRODUCT TESTED IN PRODUCTION TO COMPLY WITH IEEE 802.3 ISOLATION REQUIREMENTS

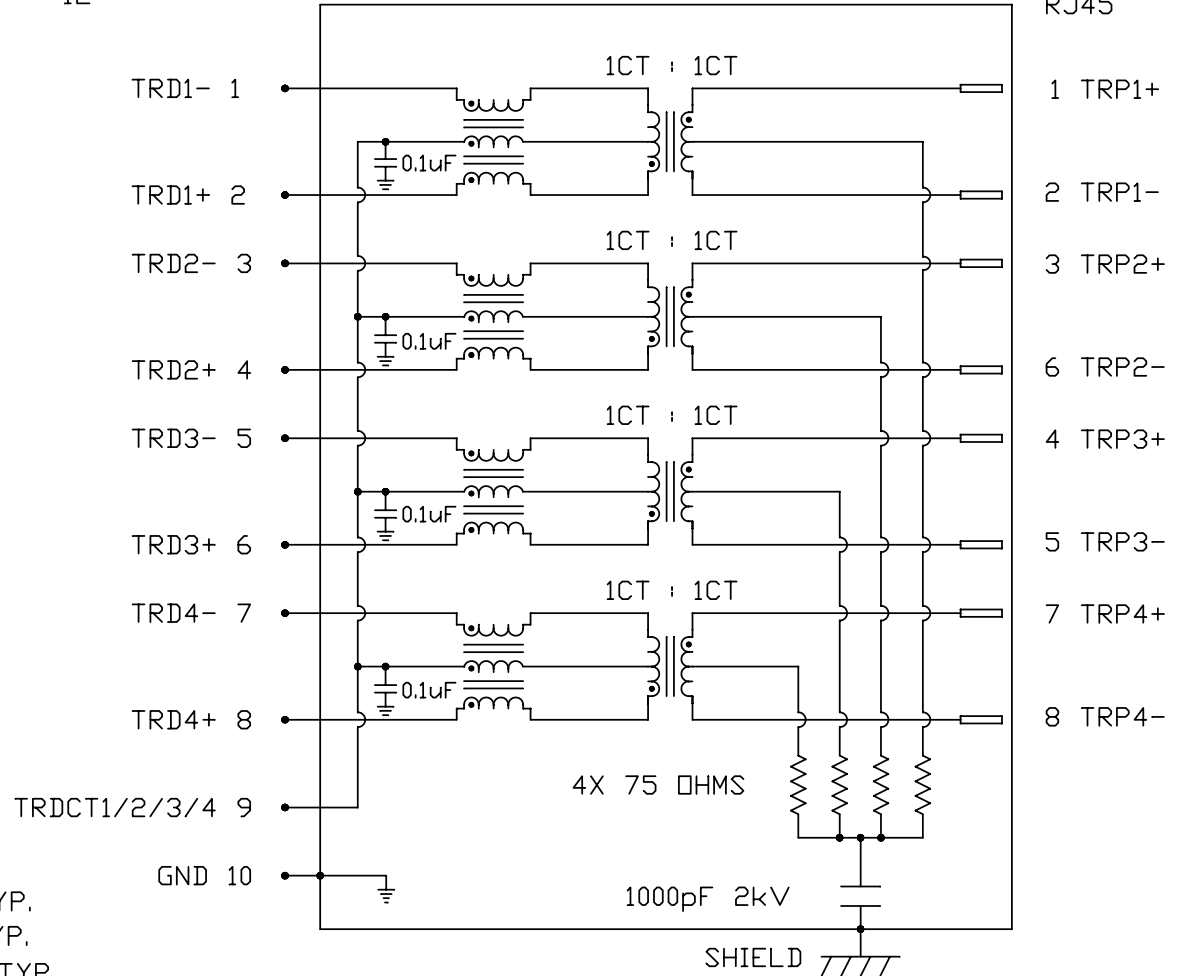
LED

VF (FORWARD VOLTAGE) IF=20mA GREEN 2.2V TYP.
ORANGE 2.0V TYP.

λD (DOMINANT WAVELENGTH) IF=20mA GREEN 565nm TYP.
ORANGE 610nm TYP.



SCHEMATIC



ORIGINATED BY DATE
CHOW WANCHUNG 2012-08-20

DRAWN BY DATE
TAN QIGUANG 2012-08-20

TITLE
2X4 gigabit MagJack®
(8 Cores, with LED)
0863-2X4R-54-F
PATENTED

PART NO. / DRAWING NO.
08632X4R54-F

FILE NAME
08632X4R54-F_B.DWG

STANDARD DIM.
TOL. IN INCH

.X	
.XX	
.XXX	

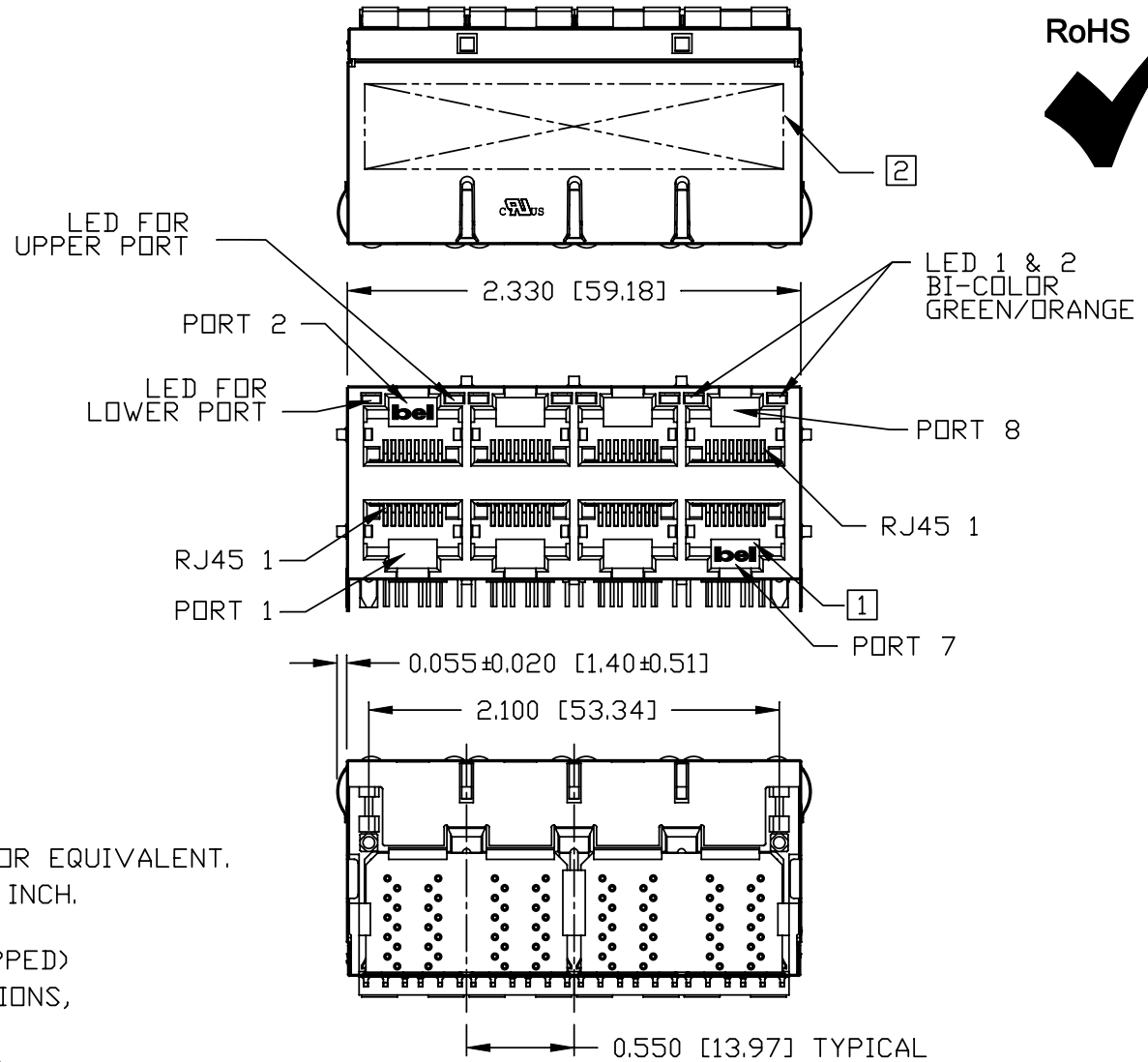
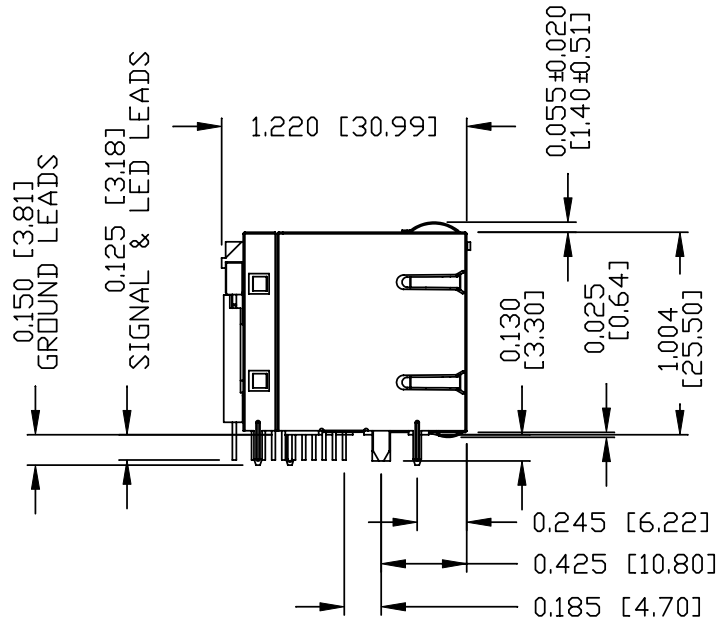
[] METRIC DIM. AS REFERENCE

UNIT : INCH [mm]	REV. : B
SCALE : N/A	SIZE : A4
	PAGE : 2



THE INFORMATION CONTAINED HEREIN IS CONSIDERED "PROPRIETARY" TO BEL FUSE INC. AND SHALL NOT BE COPIED, REPRODUCED OR DISCLOSED WITHOUT THE WRITTEN APPROVAL OF BEL FUSE INC.

RoHS



NOTES:

- PLASTIC HOUSING: THERMOPLASTIC AT FLAMMABILITY RATING UL 94V-0
- CONTACT PLATING: 50 MICRO-INCH HARD GOLD PLATING OR EQUIVALENT.
- OUTPUT PINS: TIN-COATED COPPER WIRE, DIA 0.018 INCH.
- METAL SHIELD: NICKEL PLATED ON COPPER ALLOY.
(ALL GROUND LEADS ARE SOLDER DIPPED)

- [1] JACK CAVITY CONFORMS TO FCC RULES AND REGULATIONS, PART 68 SUBPART F.
- [2] MARK PART WITH MFG LOGO MFG, NAME, PART NUMBER, DATE CODE AND PATENTED.

c UL RECOGNIZED - FILE #E196366 AND E169987.

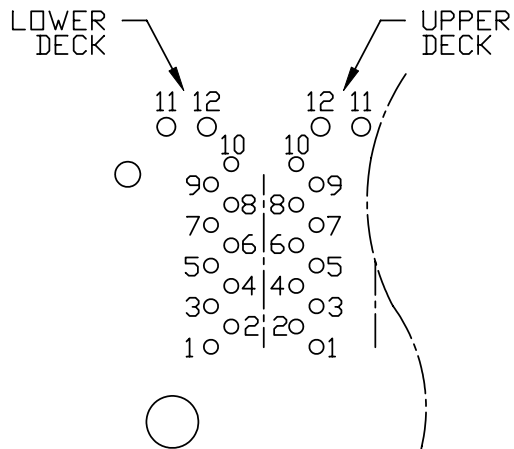
3. THE PRODUCT IS RoHS COMPLIANT.

4. THE PRODUCT IS PATENTED. THE PATENT NUMBER ARE U.S. PAT. 5,736,910 AND U.S. PAT. 6,840,817 AND U.S. PAT. 7,123,117.

ORIGINATED BY ANTON LIAO	DATE 2012-08-20	TITLE 2X4 gigabit MagJack® (8 Cores, with LED) 0863-2X4R-54-F PATENTED	PART NO. / DRAWING NO. 08632X4R54-F	STANDARD DIM. TOL. IN INCH		[] METRIC DIM. AS REFERENCE		
				.X		UNIT : INCH [mm]	REV. : B	
DRAWN BY HE ZHEN	DATE 2012-08-20		FILE NAME 08632X4R54-F_B.DWG	.XX		SCALE : N/A	SIZE : A4	COMPONENTS FOR A CONNECTED PLANET
				.XXX	±0.010		PAGE : 3	

THE INFORMATION CONTAINED HEREIN IS CONSIDERED "PROPRIETARY" TO BEL FUSE INC. AND SHALL NOT BE COPIED, REPRODUCED OR DISCLOSED WITHOUT THE WRITTEN APPROVAL OF BEL FUSE INC.

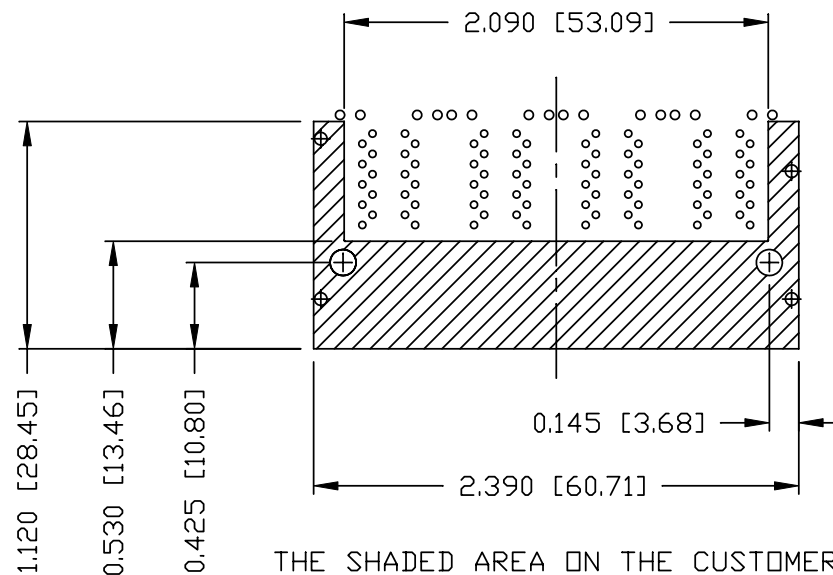
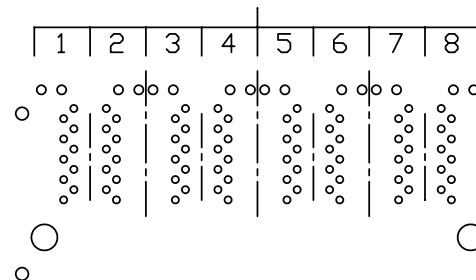
RoHS



PIN-OUT INFORMATION
(COMPONENT SIDE VIEW)

12	GRN (+)/ORG (-)
11	GRN (-)/ORG (+)
10	GND
9	TRDCT1/2/3/4
8	TRD 4+
7	TRD 4-
6	TRD 3+
5	TRD 3-
4	TRD 2+
3	TRD 2-
2	TRD 1+
1	TRD 1-

PORT ASSIGNMENT
(COMPONENT SIDE VIEW)



THE SHADED AREA ON THE CUSTOMER BOARD ARE RECOMMENDED TO BE CLEAR OFF ANY VIA HOLE OR COMPONENT PAD.

ORIGINATED BY ANTON LIAO	DATE 2012-08-20
DRAWN BY HE ZHEN	DATE 2012-08-20

TITLE 2X4 gigabit MagJack® (8 Cores, with LED) 0863-2X4R-54-F PATENTED
--

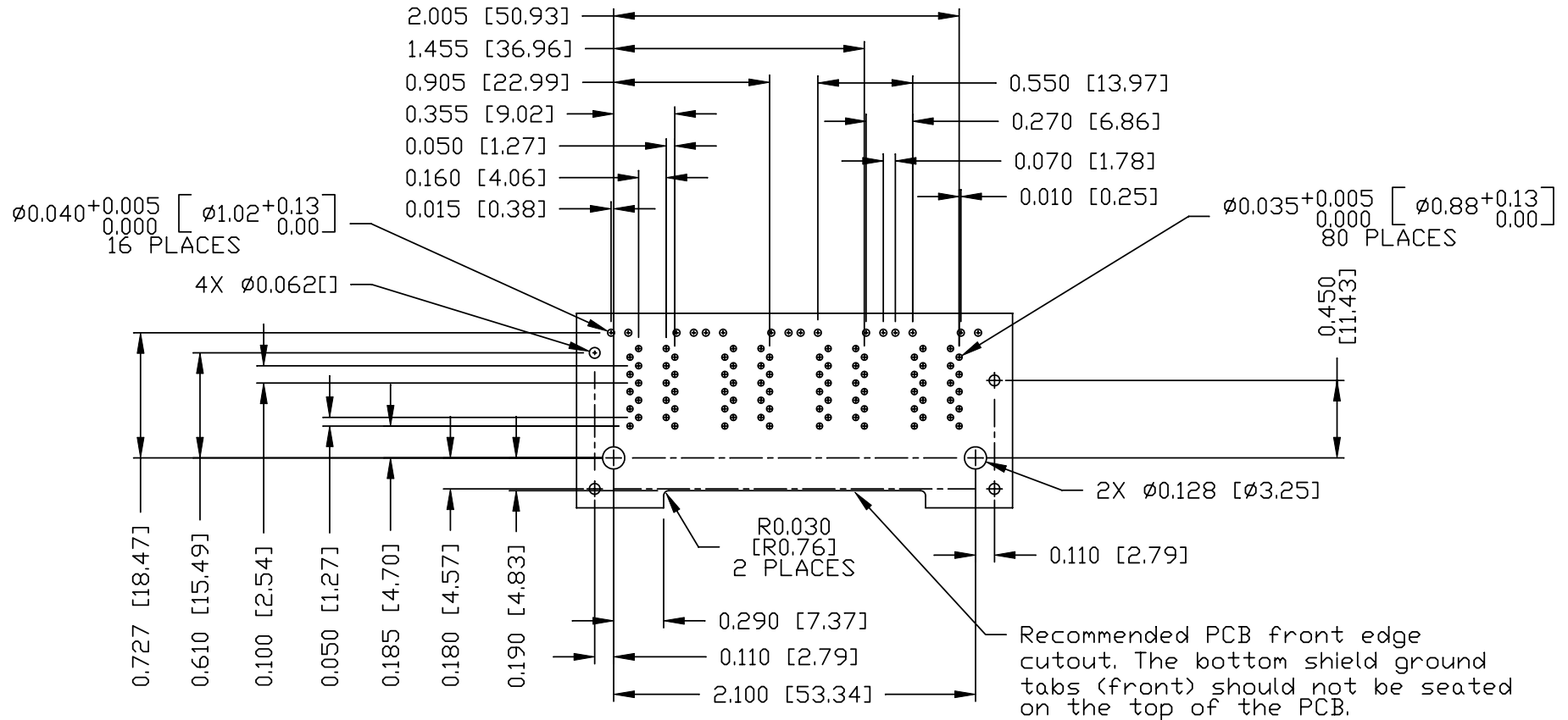
PART NO. / DRAWING NO. 08632X4R54-F
FILE NAME 08632X4R54-F_B.DWG

STANDARD DIM. TOL. IN INCH	[] METRIC DIM. AS REFERENCE
.X	UNIT : INCH [mm]
.XX	SCALE : N/A
.XXX ±0.004	REV. : B
	SIZE : A4
	PAGE : 4



THE INFORMATION CONTAINED HEREIN IS CONSIDERED 'PROPRIETARY' TO BEL FUSE INC. AND SHALL NOT BE COPIED, REPRODUCED OR DISCLOSED WITHOUT THE WRITTEN APPROVAL OF BEL FUSE INC.

RoHS



SUGGESTED FOOTPRINT
(COMPONENT SIDE VIEW)

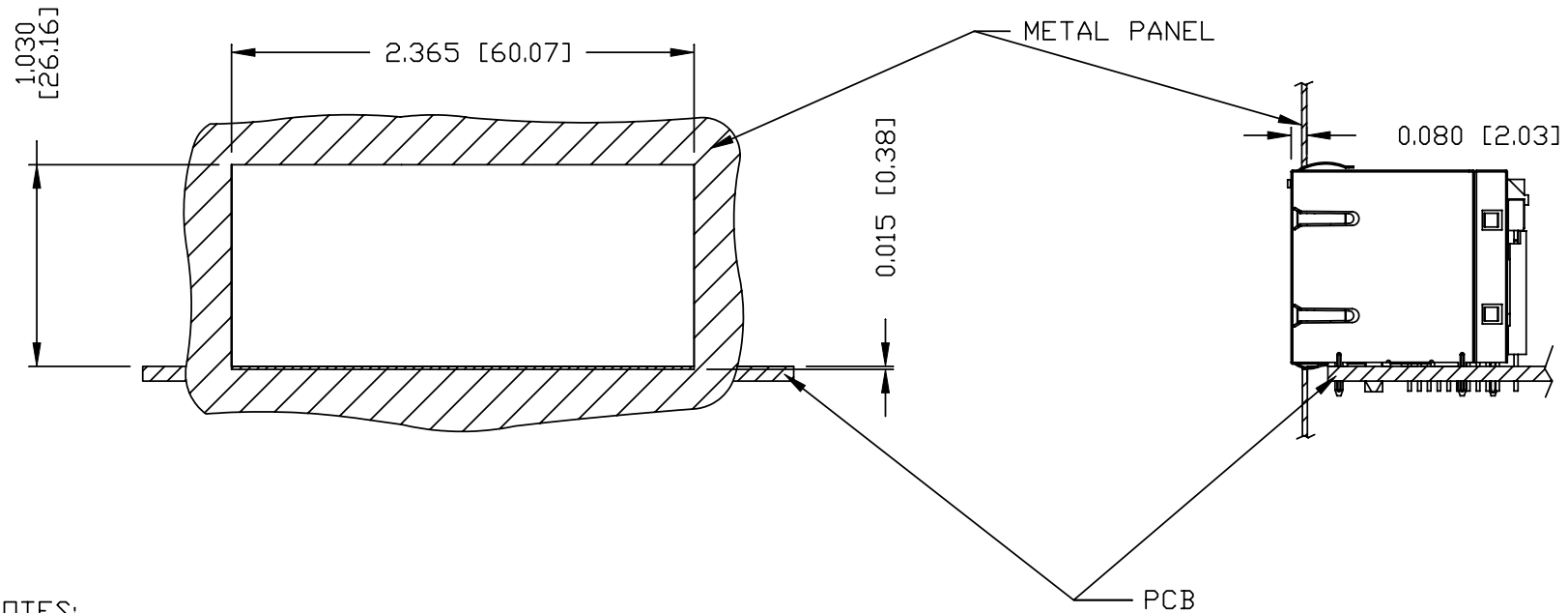
ORIGINATED BY ANTON LIAO	DATE 2012-08-20	TITLE 2X4 gigabit MagJack® (8 Cores, with LED) 0863-2X4R-54-F PATENTED	PART NO. / DRAWING NO. 08632X4R54-F		STANDARD DIM. TOL. IN INCH		[] METRIC DIM. AS REFERENCE		 COMPONENTS FOR A CONNECTED PLANET
	DRAWN BY HE ZHEN		DATE 2012-08-20	FILE NAME 08632X4R54-F_B.DWG	.X .XX .XXX	± 0.004	UNIT : INCH [mm] SCALE : N/A	REV. : B SIZE : A4 PAGE : 5	

THE INFORMATION CONTAINED HEREIN IS CONSIDERED "PROPRIETARY" TO BEL FUSE INC. AND SHALL NOT BE COPIED, REPRODUCED OR DISCLOSED WITHOUT THE WRITTEN APPROVAL OF BEL FUSE INC.

RoHS



SUGGESTED PANEL OPENING



NOTES:

THE DISTANCE OF PANEL INSIDE SURFACE RELATIVE TO FRONT SURFACE OF PART IS ONLY A SUGGESTION. IN CASE THIS DISTANCE IS DIFFERENT, THE REQUIRED PANEL OPENING DIMENSIONS CHANGE ACCORDINGLY.

PACKING INFORMATION

OR PACKING TRAY : 0200-9999-E7 (TOP)
0200-9999-E8 (BOTTOM)

PACKING QUANTITY : 20 PCS FINISHED GOODS PER TRAY
7 TRAYS (140 PCS FINISHED GOODS) PER CARTON BOX

NOTE : CARDBOARDS ARE PLACED BETWEEN LAYERS OF PACKING TRAY INSIDE CARTON BOX
(INCLUDE THE UPPERMOST AND LOWERMOST TRAY)

ORIGINATED BY ANTON LIAO	DATE 2012-08-20	TITLE 2X4 gigabit MagJack® (8 Cores, with LED) 0863-2X4R-54-F PATENTED	PART NO. / DRAWING NO. 08632X4R54-F	STANDARD DIM. TOL. IN INCH		[] METRIC DIM. AS REFERENCE		bel COMPONENTS FOR A CONNECTED PLANET
				.X		UNIT : INCH [mm]	REV. : B	
DRAWN BY HE ZHEN	DATE 2012-08-20		FILE NAME 08632X4R54-F_B.DWG	.XX		SCALE : N/A	SIZE : A4	PAGE : 6
				.XXX	±0.004			

Компания «Life Electronics» занимается поставками электронных компонентов импортного и отечественного производства от производителей и со складов крупных дистрибьюторов Европы, Америки и Азии.

С конца 2013 года компания активно расширяет линейку поставок компонентов по направлению коаксиальный кабель, кварцевые генераторы и конденсаторы (керамические, пленочные, электролитические), за счёт заключения дистрибьюторских договоров

Мы предлагаем:

- Конкурентоспособные цены и скидки постоянным клиентам.
- Специальные условия для постоянных клиентов.
- Подбор аналогов.
- Поставку компонентов в любых объемах, удовлетворяющих вашим потребностям.
- Приемлемые сроки поставки, возможна ускоренная поставка.
- Доставку товара в любую точку России и стран СНГ.
- Комплексную поставку.
- Работу по проектам и поставку образцов.
- Формирование склада под заказчика.
- Сертификаты соответствия на поставляемую продукцию (по желанию клиента).
- Тестирование поставляемой продукции.
- Поставку компонентов, требующих военную и космическую приемку.
- Входной контроль качества.
- Наличие сертификата ISO.

В составе нашей компании организован Конструкторский отдел, призванный помогать разработчикам, и инженерам.

Конструкторский отдел помогает осуществить:

- Регистрацию проекта у производителя компонентов.
- Техническую поддержку проекта.
- Защиту от снятия компонента с производства.
- Оценку стоимости проекта по компонентам.
- Изготовление тестовой платы монтаж и пусконаладочные работы.



Тел: +7 (812) 336 43 04 (многоканальный)

Email: org@lifeelectronics.ru