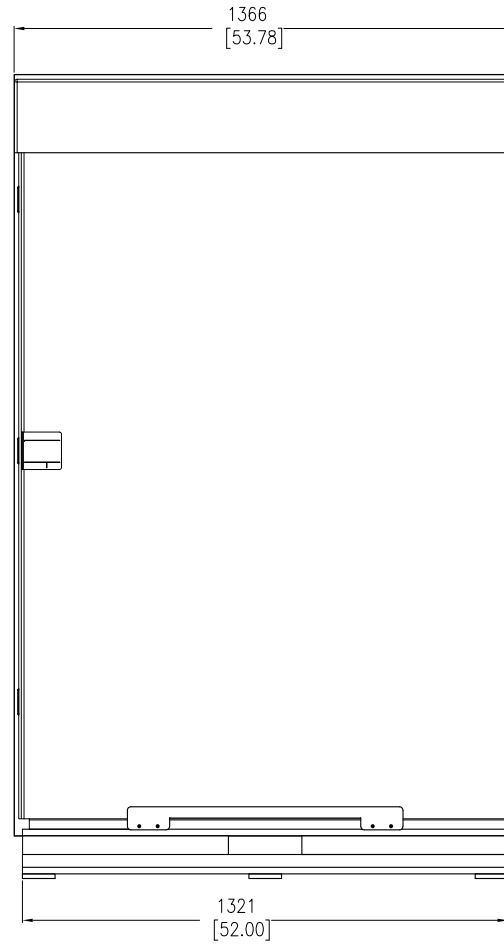
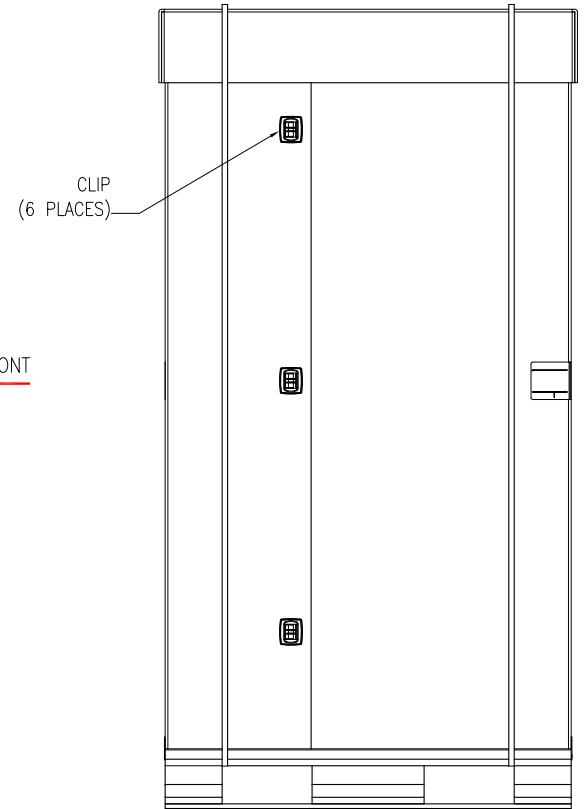


FRONT VIEW



LEFT SIDE VIEW



REAR VIEW

NOTES:

1. INSTALLATION SHALL COMPLY WITH ALL APPLICABLE NATIONAL, STATE AND LOCAL ELECTRICAL REGULATIONS.
2. REFER TO PRODUCT DOCUMENTATION FOR ADDITIONAL DETAILS PRIOR TO INSTALLATION AND SITE PREPARATION WORK.
3. ALL DIMENSIONS ARE IN MILLIMETERS [INCHES].
4. SHIPPING WEIGHT OF UNIT IS 242.22 Kg [534 LBS].

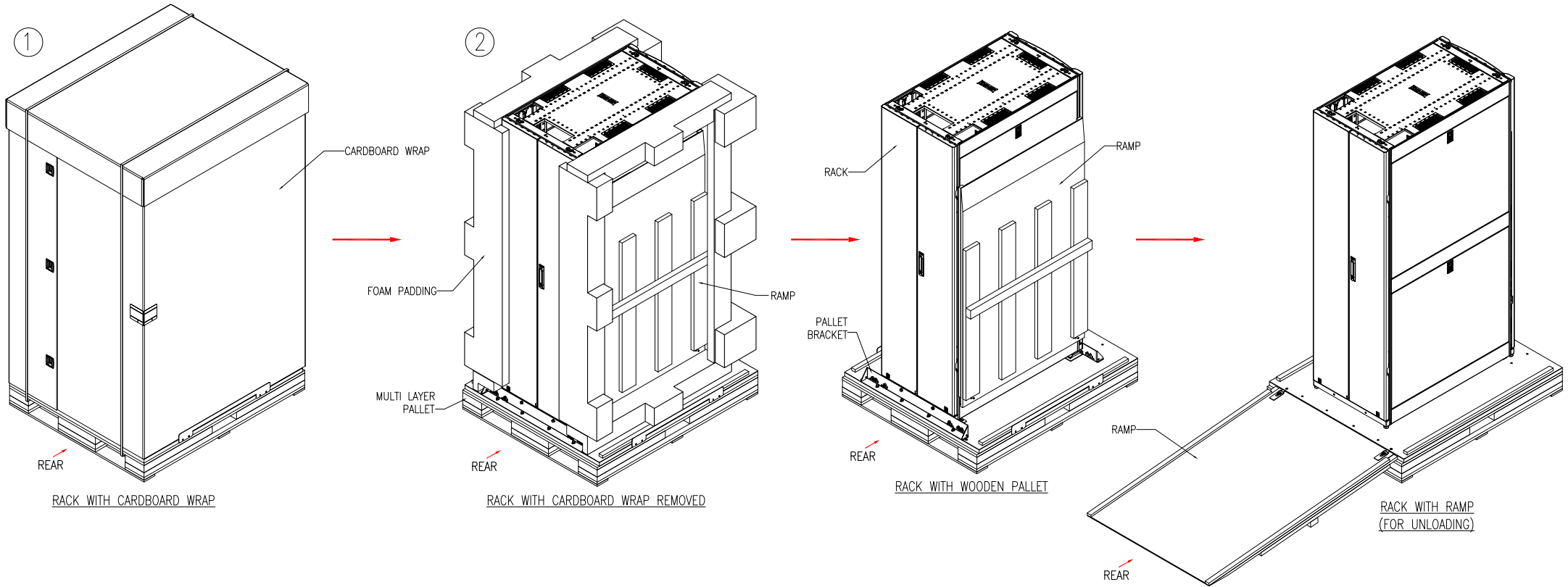
THIS DRAWING AND SPECIFICATIONS HEREIN ARE THE PROPERTY OF SCHNEIDER ELECTRIC AND SHALL NOT BE COPIED, REPRODUCED OR USED IN WHOLE OR IN PART, AS THE BASIS FOR THE MANUFACTURE OR SALE OF ITEMS WITHOUT WRITTEN PERMISSION FROM SCHNEIDER ELECTRIC. THIS DRAWING IS BASED UPON LATEST AVAILABLE INFORMATION AND IS SUBJECT TO CHANGE WITHOUT NOTICE.



TITLE: NetShelter SX 42U
600mm WIDE X 1070mm DEEP
ENCLOSURE WITH SIDES-SHOCK PACKAGING
PACKING DETAILS
PROJECT: SUBMITTAL DRAWINGS SHEET 1 OF 6

DWG NO: AR3100SP REV. 0
DRAWN BY: JAYAPRAKASH 03-JUL-15
ENGINEER: D HUDSON/ R PHILLIPS 06-JUL-15
APPROVED BY: GREG IVEY 06-JUL-15
FIRST ANGLE PROJECTION

UNPACKING AND UNLOADING STEPS



- NOTES:**
1. INSTALLATION SHALL COMPLY WITH ALL APPLICABLE NATIONAL, STATE AND LOCAL ELECTRICAL REGULATIONS.
 2. REFER TO PRODUCT DOCUMENTATION FOR ADDITIONAL DETAILS PRIOR TO INSTALLATION AND SITE PREPARATION WORK.

THIS DRAWING AND SPECIFICATIONS HEREIN ARE THE PROPERTY OF SCHNEIDER ELECTRIC AND SHALL NOT BE COPIED, REPRODUCED OR USED IN WHOLE OR IN PART, AS THE BASIS FOR THE MANUFACTURE OR SALE OF ITEMS WITHOUT WRITTEN PERMISSION FROM SCHNEIDER ELECTRIC. THIS DRAWING IS BASED UPON LATEST AVAILABLE INFORMATION AND IS SUBJECT TO CHANGE WITHOUT NOTICE.

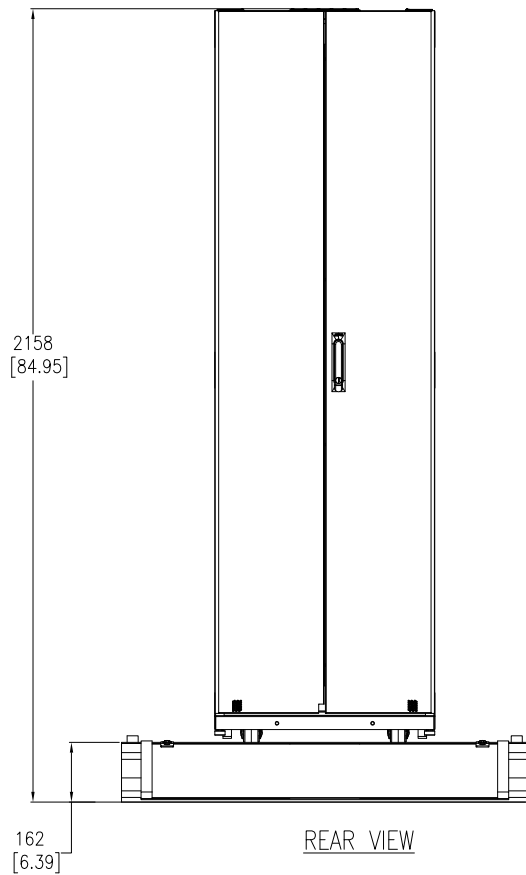


TITLE: NetShelter SX 42U
600mm WIDE X 1070mm DEEP
ENCLOSURE WITH SIDES-SHOCK PACKAGING
ISOMETRIC VIEWS

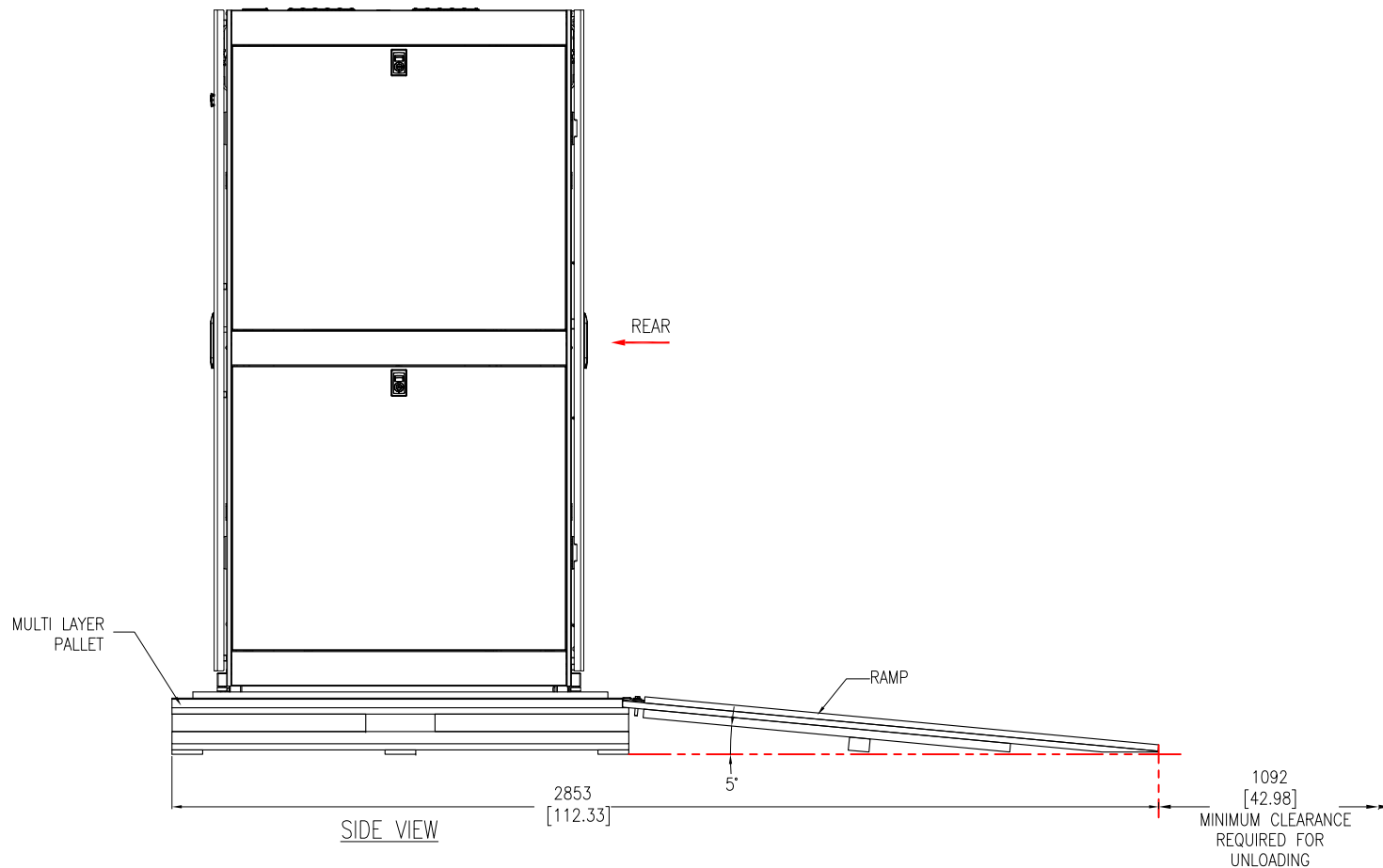
PROJECT: SUBMITTAL DRAWINGS SHEET 2 OF 6

DWG NO: AR3100SP REV. 0

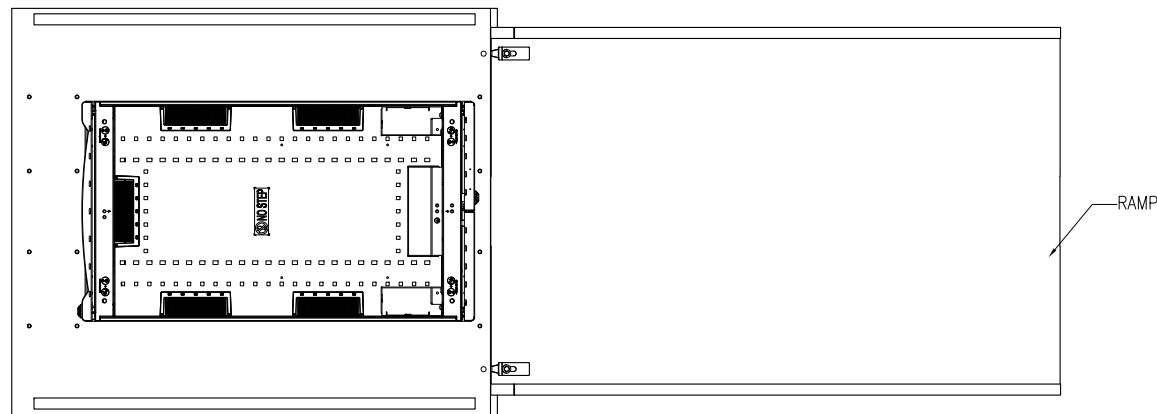
DRAWN BY: JAYAPRAKASH	03-JUL-15	FIRST ANGLE PROJECTION
ENGINEER: D HUDSON/ R PHILLIPS	06-JUL-15	
APPROVED BY: GREG IVEY	06-JUL-15	



REAR VIEW



SIDE VIEW



TOP VIEW

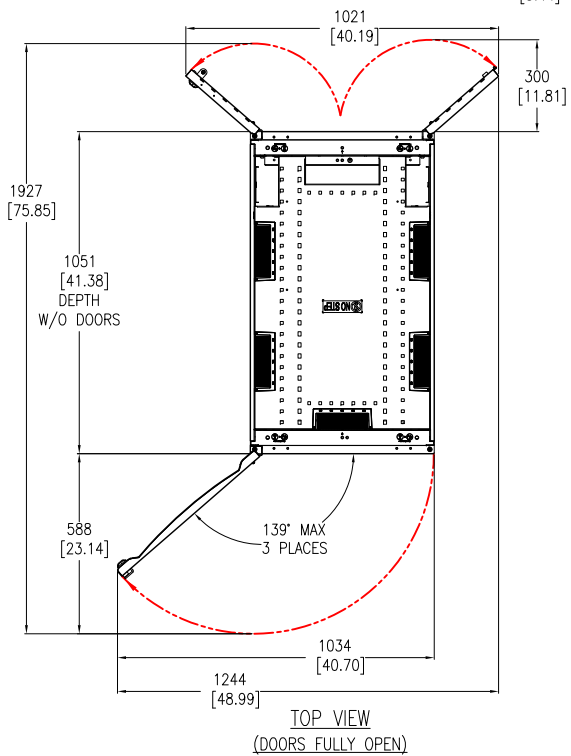
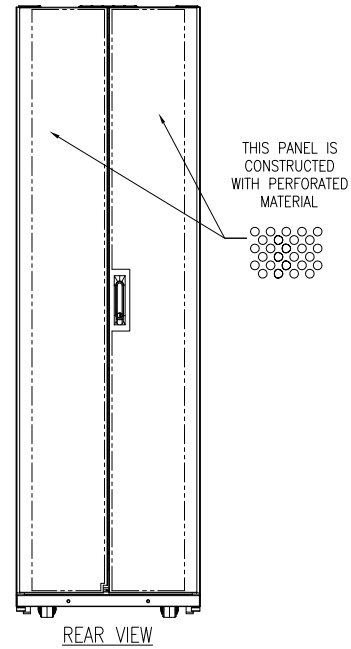
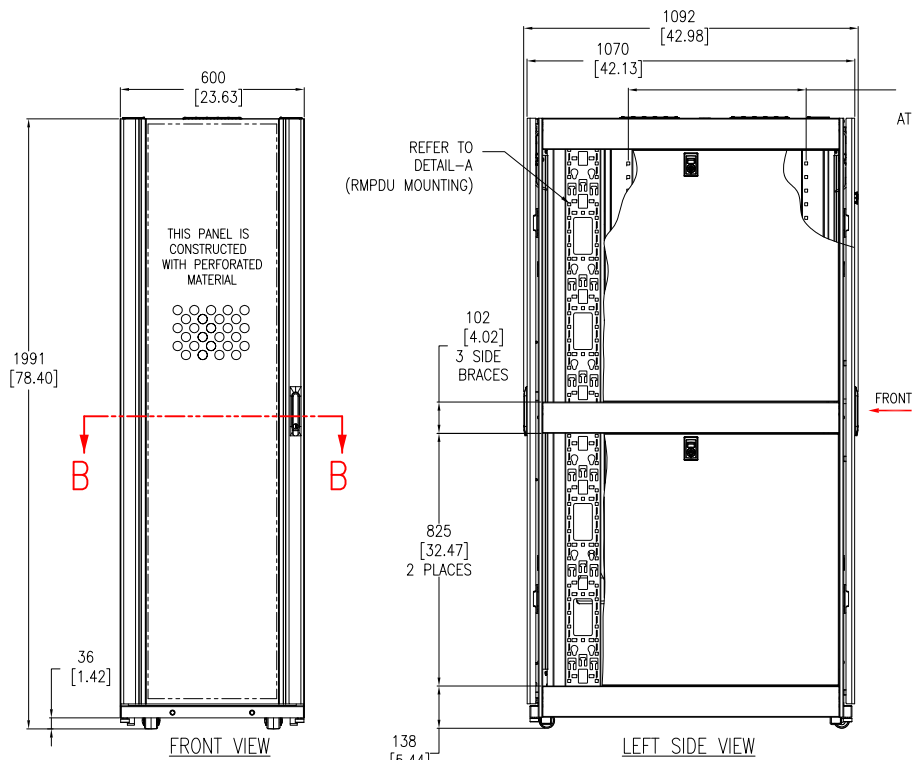
- NOTES:**
1. INSTALLATION SHALL COMPLY WITH ALL APPLICABLE NATIONAL, STATE AND LOCAL ELECTRICAL REGULATIONS.
 2. REFER TO PRODUCT DOCUMENTATION FOR ADDITIONAL DETAILS PRIOR TO INSTALLATION AND SITE PREPARATION WORK.
 3. ALL DIMENSIONS ARE IN MILLIMETERS [INCHES].

THIS DRAWING AND SPECIFICATIONS HEREIN ARE THE PROPERTY OF SCHNEIDER ELECTRIC AND SHALL NOT BE COPIED, REPRODUCED OR USED IN WHOLE OR IN PART, AS THE BASIS FOR THE MANUFACTURE OR SALE OF ITEMS WITHOUT WRITTEN PERMISSION FROM SCHNEIDER ELECTRIC. THIS DRAWING IS BASED UPON LATEST AVAILABLE INFORMATION AND IS SUBJECT TO CHANGE WITHOUT NOTICE.



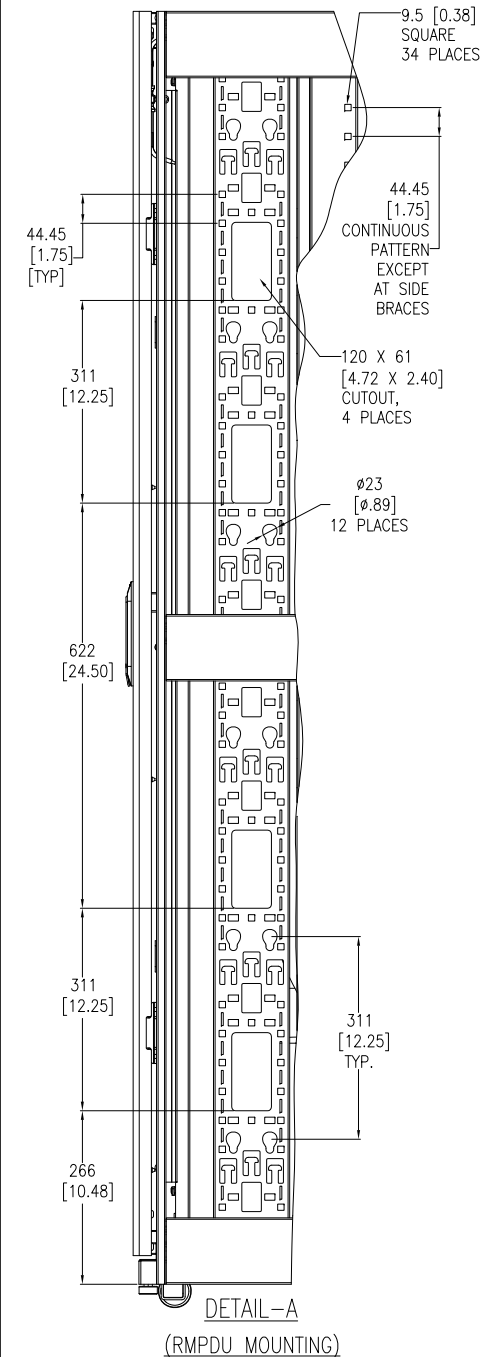
TITLE: NetShelter SX 42U
 600mm WIDE X 1070mm DEEP
 ENCLOSURE WITH SIDES-SHOCK PACKAGING
 UNLOADING DETAILS
 PROJECT: SUBMITTAL DRAWINGS SHEET 3 OF 6

DWG NO:	AR3100SP	REV:	0
DRAWN BY:	JAYAPRAKASH	DATE:	03-JUL-15
ENGINEER:	D HUDSON/ R PHILLIPS	DATE:	06-JUL-15
APPROVED BY:	GREG IVEY	DATE:	06-JUL-15
		PROJECTION:	FIRST ANGLE



NOTES:

1. INSTALLATION SHALL COMPLY WITH ALL APPLICABLE NATIONAL, STATE AND LOCAL ELECTRICAL REGULATIONS.
2. REFER TO PRODUCT DOCUMENTATION FOR ADDITIONAL DETAILS PRIOR TO INSTALLATION AND SITE PREPARATION WORK.
3. ALL DIMENSIONS ARE IN MILLIMETERS [INCHES].
4. NET WEIGHT OF UNIT IS 125.09kg [275.2 lb].
5. MAXIMUM INSTALLED EQUIPMENT WEIGHT IS 907kg [2000 lb].
6. CABLE ENTRY IS TOP OR BOTTOM OF THE UNIT.
7. FRONT AND REAR SERVICE ACCESS REQUIRED.
8. AIR FLOW AND SERVICE REQUIREMENTS, AS WELL AS MINIMUM CLEARANCE TO FIRE SUPPRESSION SYSTEMS SHOULD BE CONSIDERED WHEN LOCATING THE ENCLOSURE.



THIS DRAWING AND SPECIFICATIONS HEREIN ARE THE PROPERTY OF SCHNEIDER ELECTRIC AND SHALL NOT BE COPIED, REPRODUCED OR USED IN WHOLE OR IN PART, AS THE BASIS FOR THE MANUFACTURE OR SALE OF ITEMS WITHOUT WRITTEN PERMISSION FROM SCHNEIDER ELECTRIC. THIS DRAWING IS BASED UPON LATEST AVAILABLE INFORMATION AND IS SUBJECT TO CHANGE WITHOUT NOTICE.



TITLE: NetShelter SX 42U
600mm WIDE X 1070mm DEEP
ENCLOSURE WITH SIDES-SHOCK PACKAGING
GENERAL ARRANGEMENT

PROJECT: SUBMITTAL DRAWINGS SHEET 4 OF 6

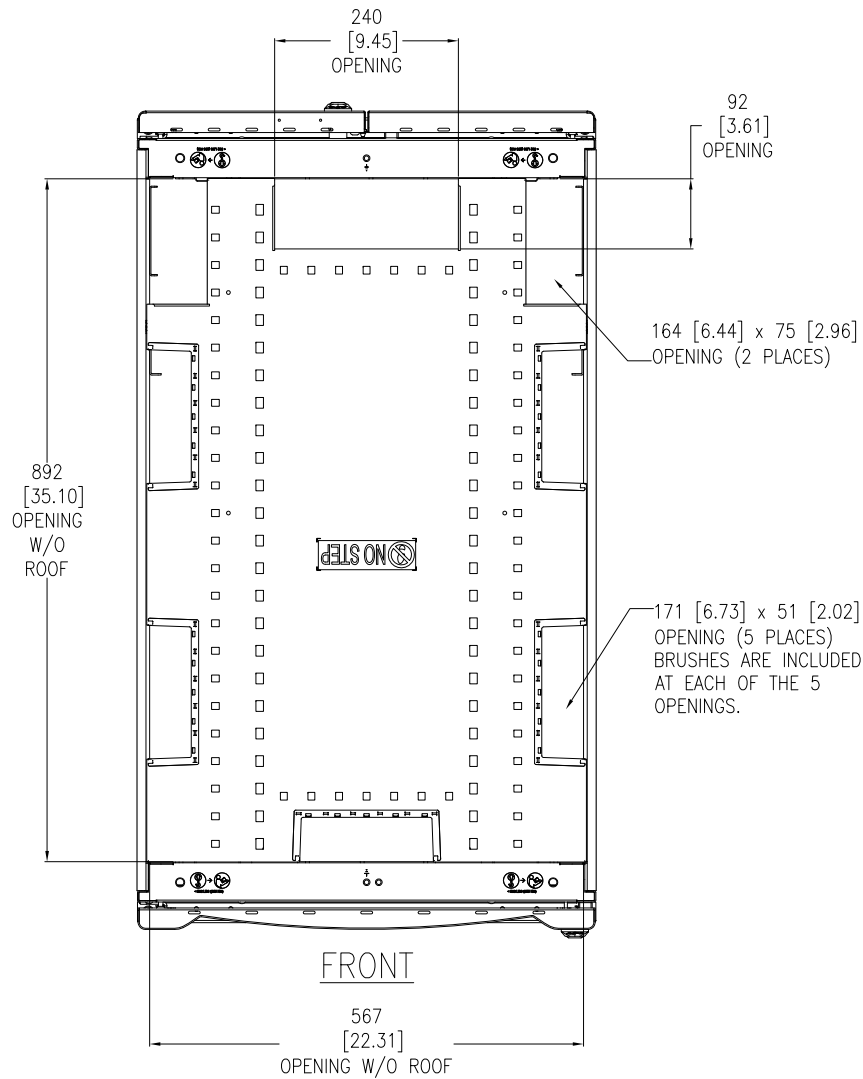
DWG NO: AR310OSP

REV: 0

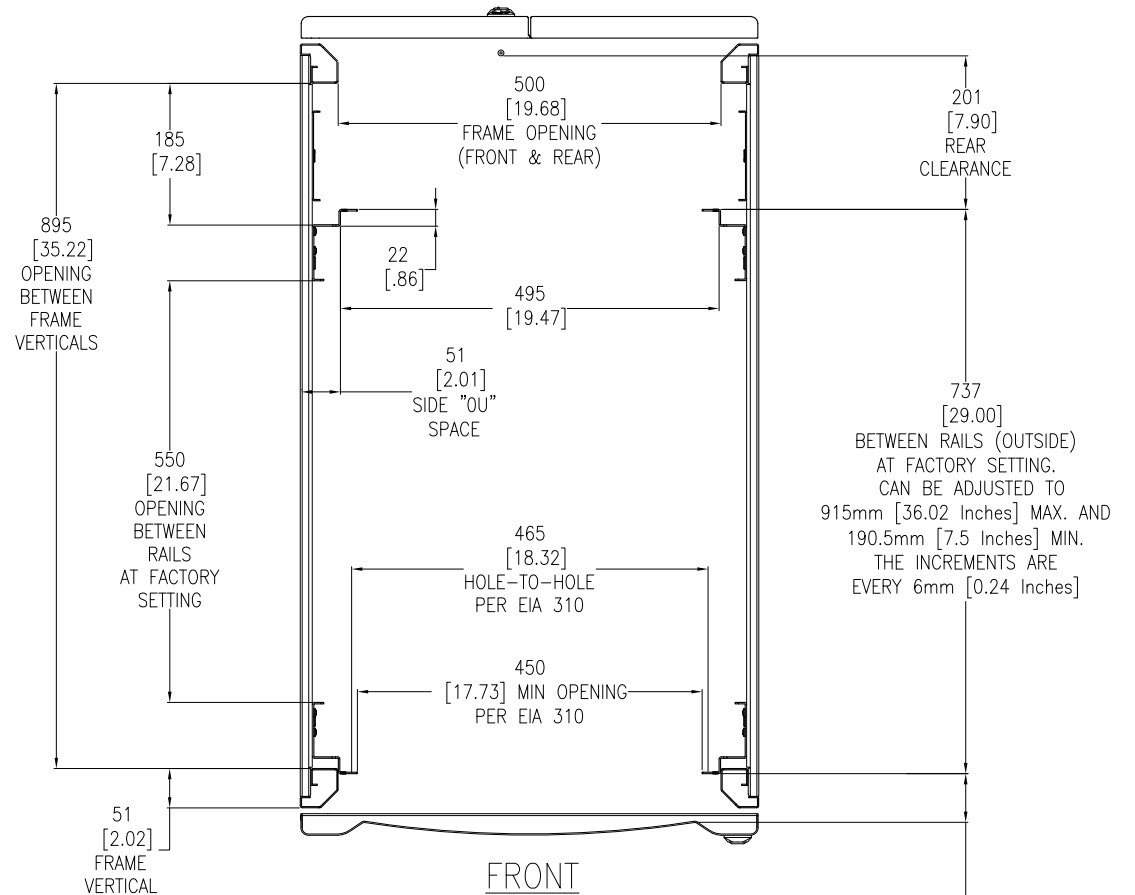
DRAWN BY: JAYAPRAKASH 03-JUL-15 FIRST ANGLE

ENGINEER: D HUDSON/ R PHILLIPS 06-JUL-15

APPROVED BY: GREG IVEY 06-JUL-15 PROJECTION



TOP VIEW
CABLE OPENINGS
(COVERS REMOVED)



SECTION B-B
STANDARD POSITIONS FOR
MOUNTING RAILS AND
THEIR ADJUSTABILITY
(LOOKING DOWN)

64 [2.50]
FRONT BEZEL
CLEARANCE
CAN BE ADJUSTED TO
800mm 31.50 [Inches] MAX. AND
51mm [2.01 Inches] MIN.
THE INCREMENTS
ARE EVERY 6mm [0.24 Inches]

- NOTES:**
1. INSTALLATION SHALL COMPLY WITH ALL APPLICABLE NATIONAL, STATE AND LOCAL ELECTRICAL REGULATIONS.
 2. REFER TO PRODUCT DOCUMENTATION FOR ADDITIONAL DETAILS PRIOR TO INSTALLATION AND SITE PREPARATION WORK.
 3. ALL DIMENSIONS ARE IN MILLIMETERS [INCHES].

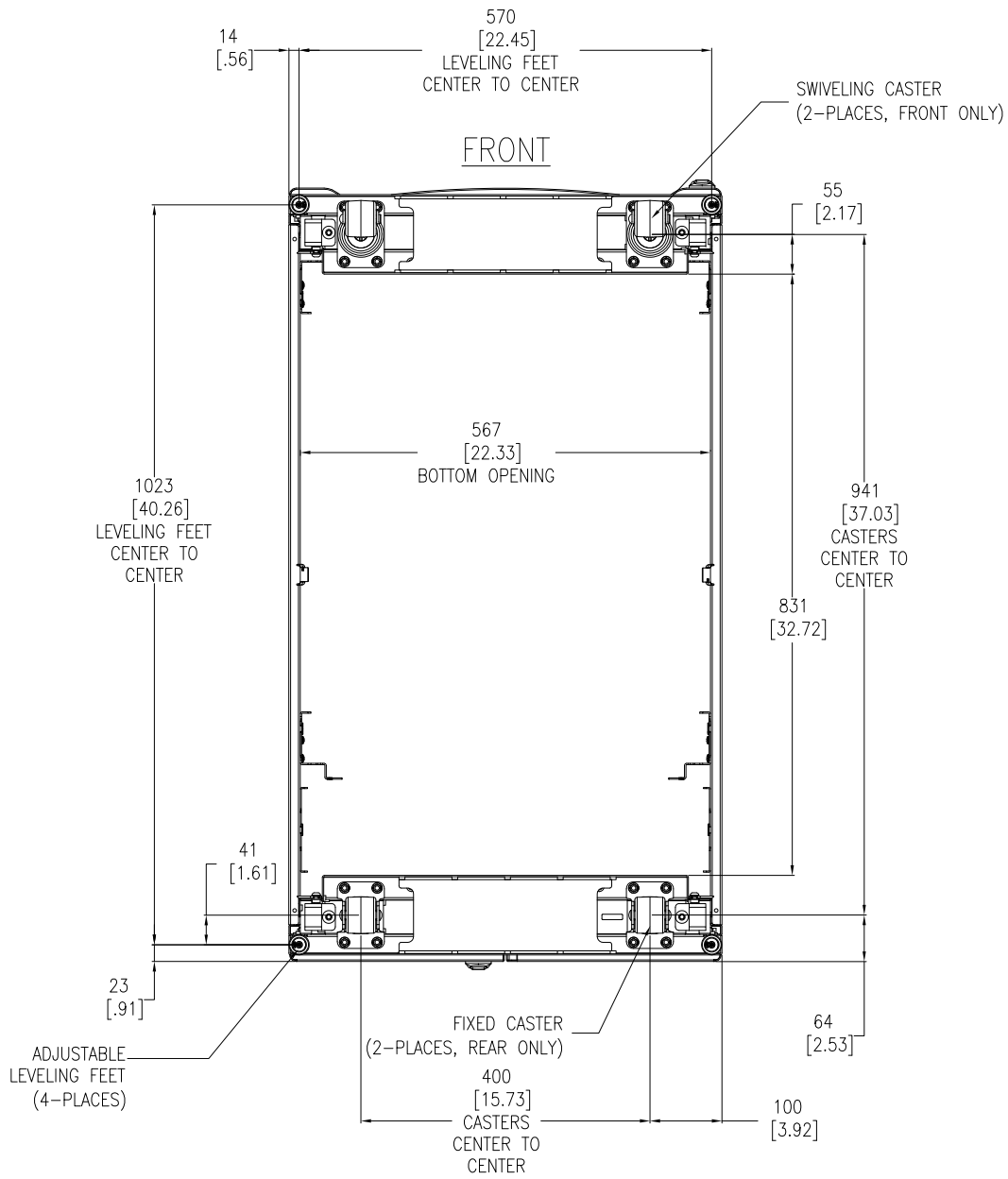
THIS DRAWING AND SPECIFICATIONS HEREIN ARE THE PROPERTY OF SCHNEIDER ELECTRIC AND SHALL NOT BE COPIED, REPRODUCED OR USED IN WHOLE OR IN PART, AS THE BASIS FOR THE MANUFACTURE OR SALE OF ITEMS WITHOUT WRITTEN PERMISSION FROM SCHNEIDER ELECTRIC. THIS DRAWING IS BASED UPON LATEST AVAILABLE INFORMATION AND IS SUBJECT TO CHANGE WITHOUT NOTICE.



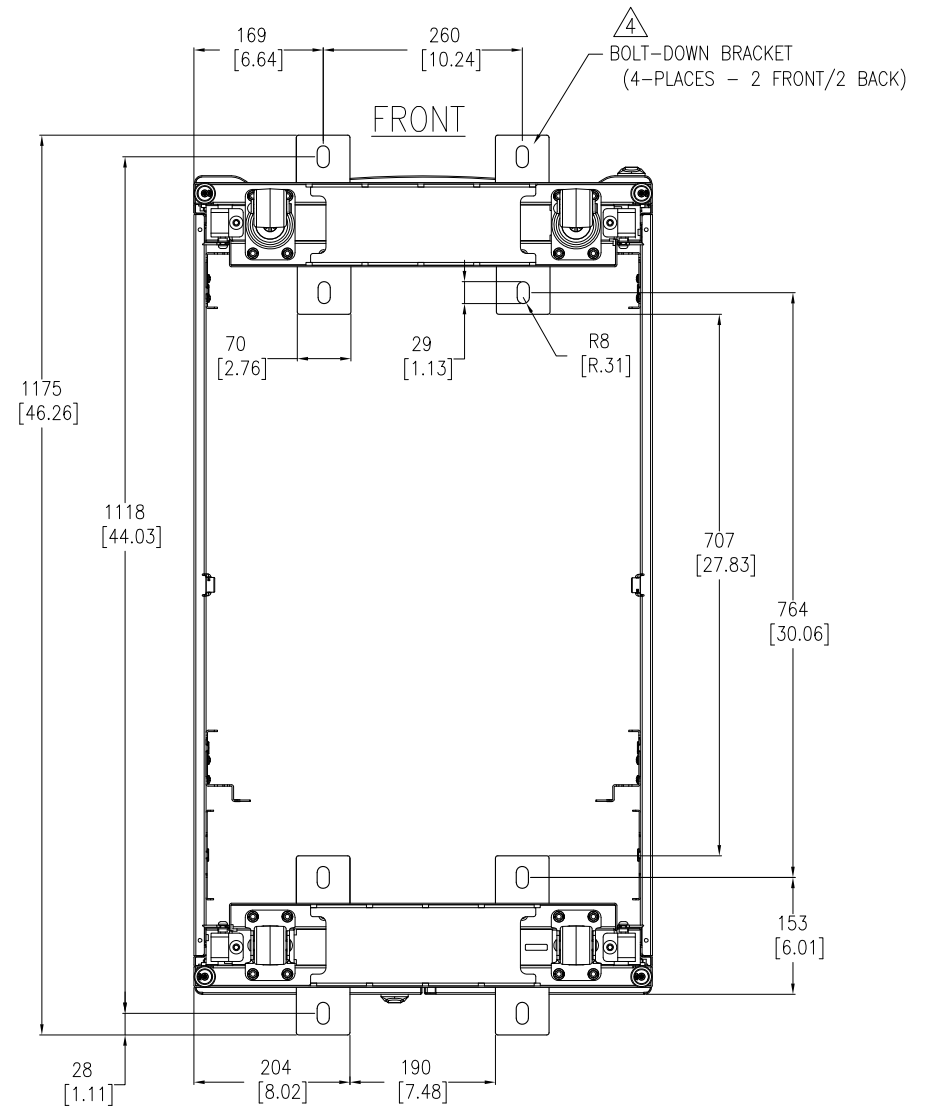
TITLE: NetShelter SX 42U
600mm WIDE X 1070mm DEEP
ENCLOSURE WITH SIDES-SHOCK PACKAGING
TOP VIEW & SECTION VIEW

PROJECT: SUBMITTAL DRAWINGS SHEET 5 OF 6

DWG NO: AR3100SP REV. 0
DRAWN BY: JAYAPRAKASH 03-JUL-15 FIRST ANGLE
ENGINEER: D HUDSON/ R PHILLIPS 06-JUL-15 PROJECTION
APPROVED BY: GREG MEYER 06-JUL-15



BOTTOM VIEW
(TOP ROOF NOT SHOWN)



BOTTOM VIEW
(WITH OPTIONAL BOLT-DOWN BRACKETS FOR ANCHORING)
TOP ROOF NOT SHOWN

- NOTES:**
1. INSTALLATION SHALL COMPLY WITH ALL APPLICABLE NATIONAL, STATE AND LOCAL ELECTRICAL REGULATIONS.
 2. REFER TO PRODUCT DOCUMENTATION FOR ADDITIONAL DETAILS PRIOR TO INSTALLATION AND SITE PREPARATION WORK.
 3. ALL DIMENSIONS ARE IN MILLIMETERS [INCHES].
- △4. BOLT-DOWN KIT (SKU# AR7701) IS OPTIONAL AND HAS TO BE ORDERED SEPARATELY.

THIS DRAWING AND SPECIFICATIONS HEREIN ARE THE PROPERTY OF SCHNEIDER ELECTRIC AND SHALL NOT BE COPIED, REPRODUCED OR USED IN WHOLE OR IN PART, AS THE BASIS FOR THE MANUFACTURE OR SALE OF ITEMS WITHOUT WRITTEN PERMISSION FROM SCHNEIDER ELECTRIC. THIS DRAWING IS BASED UPON LATEST AVAILABLE INFORMATION AND IS SUBJECT TO CHANGE WITHOUT NOTICE.



TITLE:
NetShelter SX 42U
600mm WIDE X 1070mm DEEP
ENCLOSURE WITH SIDES-SHOCK PACKAGING
BOTTOM VIEWS

PROJECT: SUBMITTAL DRAWINGS **SHEET:** 6 OF 6

DWG NO: AR3100SP **REV:** 0

DRAWN BY: JAYAPRAKASH	03-JUL-15	FIRST
ENGINEER: D HUDSON/ R PHILLIPS	06-JUL-15	ANGLE
APPROVED BY: GREG IVEY	06-JUL-15	PROJECTION

Компания «Life Electronics» занимается поставками электронных компонентов импортного и отечественного производства от производителей и со складов крупных дистрибьюторов Европы, Америки и Азии.

С конца 2013 года компания активно расширяет линейку поставок компонентов по направлению коаксиальный кабель, кварцевые генераторы и конденсаторы (керамические, пленочные, электролитические), за счёт заключения дистрибьюторских договоров

Мы предлагаем:

- Конкурентоспособные цены и скидки постоянным клиентам.
- Специальные условия для постоянных клиентов.
- Подбор аналогов.
- Поставку компонентов в любых объемах, удовлетворяющих вашим потребностям.
- Приемлемые сроки поставки, возможна ускоренная поставка.
- Доставку товара в любую точку России и стран СНГ.
- Комплексную поставку.
- Работу по проектам и поставку образцов.
- Формирование склада под заказчика.
- Сертификаты соответствия на поставляемую продукцию (по желанию клиента).
- Тестирование поставляемой продукции.
- Поставку компонентов, требующих военную и космическую приемку.
- Входной контроль качества.
- Наличие сертификата ISO.

В составе нашей компании организован Конструкторский отдел, призванный помогать разработчикам, и инженерам.

Конструкторский отдел помогает осуществить:

- Регистрацию проекта у производителя компонентов.
- Техническую поддержку проекта.
- Защиту от снятия компонента с производства.
- Оценку стоимости проекта по компонентам.
- Изготовление тестовой платы монтаж и пусконаладочные работы.



Тел: +7 (812) 336 43 04 (многоканальный)

Email: org@lifeelectronics.ru