



# CL-CU series

## Compact Time Delay Relay

- Delay on operate timing mode
- Fixed, knob or resistor adjustable types
- 10A output relay with DPDT contacts
- Variety of mounting options
- Various models time from 0.1 to 120 sec.
- No timing cycle interrupt transfer (CL only)

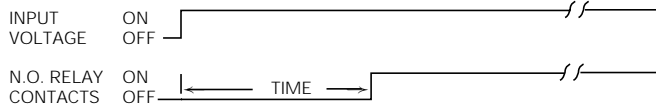
File E22575

File LR15734

Users should thoroughly review the technical data before selecting a product part number. It is recommended that user also seek out the pertinent approvals files of the agencies/laboratories and review them to ensure the product meets the requirements for a given application.

### Timing Mode

**Delay on operate** – Delay period begins when input voltage is applied. At the end of the delay period, the relay will operate and will not release until input voltage is removed. Reset occurs when input voltage is reapplied.



### CL Timing Specifications

**Timing Ranges:** From 0.1 to 1.0 sec. through 1.2 to 120 sec.  
**Timing Adjustment:** Fixed, external resistor and knob adjustable.  
**Tolerance (for AC units add ±1/2 cycle 60 Hz.):**  
**Knob Adj. Types:** -0, +20% of max. specified at high end of timing range; min. specified, or less, at low end.  
**Fixed Types:** ±5%.  
**Res. Adj. Types:** ±10% at high end of timing range; min. specified, or less, at low end.  
**Repeatability (for AC units add ±1 cycle 60 Hz.):** ±3%.  
**Release Time:** 100 ms, typ.; 150 ms, max.  
**Recycle Time:** 100 ms, typ.; 150 ms, max.

### CU Timing Specifications

**Timing Ranges:** From 1.0 to 10 sec. through 1.0 to 120 sec.  
**Timing Adjustment:** Fixed, external resistor and knob adjustable.  
**Tolerance (for AC units add ±1/2 cycle 60 Hz.):**  
**Knob Adj. Types:** -0, +20% of max. specified at high end of timing range; min. specified, or less, at low end.  
**Fixed Types:** ±5%.  
**Res. Adj. Types:** ±10% at high end of timing range; min. specified, or less, at low end.  
**Repeatability (for AC units add ±1 cycle 60 Hz.):** ±3%.  
**Release Time:** 150 ms, typ.; 225 ms, max.  
**Recycle Time:** 150 ms, typ.; 225 ms, max.

**Note:** On CU types the switching contact may momentarily transfer if the timing interval is interrupted. CL types have no timing cycle interrupt transfer.

### CL Ordering Information – Authorized distributors are more likely to stock boldface items listed below.

| Voltage | Time                              | Adjustment | Wiring Dia. | Part Number                                |
|---------|-----------------------------------|------------|-------------|--|
| 24VAC   | 0.1 to 10 Sec.                    | Knob       | 1           | <b>CLB-51-30010</b>                        |
| 24VAC   | 0.1 to 10 Sec.                    | Resistor   | 2           | CLF-42-30010                               |
| 120VAC  | 0.1 to 10 Sec.                    | Knob       | 1           | <b>CLB-51-70010</b>                        |
|         | 0.3 to 30 Sec.<br>1.2 to 120 Sec. |            |             | <b>CLB-51-70030</b><br><b>CLB-51-70120</b> |
| 120VAC  | 3 Sec.                            | Fixed      | 1           | CLA-41-70003                               |
|         | 30 Sec.                           |            |             | CLA-41-70030                               |
| 120VAC  | 0.1 to 10 Sec.                    | Resistor   | 2           | <b>CLF-41-70010</b>                        |
|         | 0.1 to 10 Sec.                    |            |             | <b>CLF-42-70010</b>                        |
|         | 1.2 to 120 Sec.                   |            |             | CLF-41-70120                               |

### Contact Data @ 25°C

**Arrangements:** 2 Form C (DPDT).  
**Material:** Silver-cadmium oxide alloy.  
**Rating:** 10A @ 30VDC or 277VAC, resistive; 1/2 HP @ 250VAC; 1/3 HP @ 120VAC.  
**Expected Mechanical Life:** 10 million operations.  
**Expected Electrical Life:** 100,000 operations, min., at rated load.

### Initial Dielectric Strength

**Between Open Contacts:** 500V rms, 60 Hz.  
**Between All Other Conductors:** 500V rms, 60 Hz.

### Input Data @ 25°C

**Voltage:** 24 & 120VAC and 12 & 24VDC.  
**Power Requirement: AC Types:** Typically less than 3 VA.  
**DC Types:** Typically less than 3 W.  
**Transient Protection:** Yes.  
**Reverse Voltage Protection:** Yes.

### Input Voltages & Limits @ 25°C

| Voltage Type | Nominal Voltage | Minimum Voltage | Maximum Voltage |
|--------------|-----------------|-----------------|-----------------|
| AC           | 24              | 20              | 28              |
|              | 120             | 105             | 130             |
| DC           | 12              | 11              | 13              |
|              | 24              | 20              | 32              |

**Note:** DC voltage must be filtered (5% p-p ripple max. at nom. voltage). AC models will operate on 50 or 60 Hz.

### Environmental Data

**Temperature Range:** **Storage:** -55°C to +85°C.  
**Operating:** -10°C to +55°C.

### Mechanical Data

**Termination:** 0.187 in. (4.75mm) quick-connect.  
**Enclosure:** Yellow plastic case (see outline drawings for various options). Knob adjustable types have dial scale for reference only.  
**Sockets:** Solder, printed circuit and screw terminal sockets available.  
**Weight:** 3.5 oz. (99g) approximately.

| Voltage | Time            | Adjustment | Wiring Dia. | Part Number         |
|---------|-----------------|------------|-------------|---------------------|
| 12VDC   | 0.1 to 10 Sec.  | Knob       | 1           | CLD-51-20010        |
| 12VDC   | 10 Sec.         | Fixed      | 1           | CLC-41-20010        |
| 12VDC   | 1.2 to 120 Sec. | Resistor   | 2           | CLH-41-20120        |
| 24VDC   | 5 Sec.          | Fixed      | 1           | CLC-41-30005        |
| 24VDC   | 0.1 to 10 Sec.  | Resistor   | 2           | <b>CLH-41-30010</b> |
|         | 0.3 to 30 Sec.  |            |             | CLH-41-30030        |
|         | 0.1 to 10 Sec.  |            |             | CLH-45-30010        |

41 style models (e.g. CLA-41-70010) have plain case.  
42 style models (e.g. CLF-42-70010) have bracket mount case.  
45 style models (e.g. CLH-45-30010) have bracket mount case with test button.  
51 style models (e.g. CLB-51-30010) have plain case with knob.

**CU Ordering Information – Authorized distributors are more likely to stock boldface items listed below.**

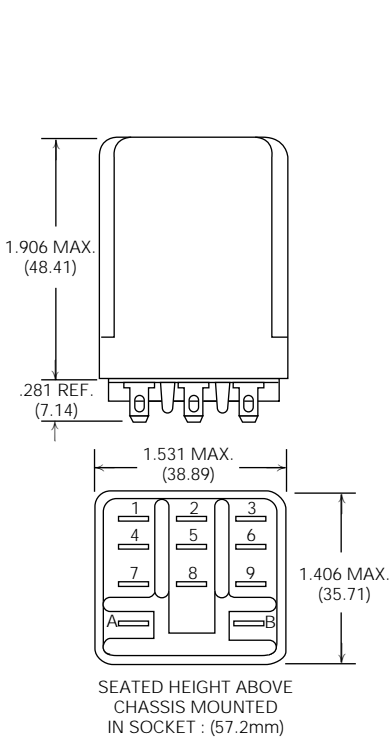
| Voltage  | Time          | Adjustment | Wiring Dia. | Part Number         |
|----------|---------------|------------|-------------|---------------------|
| 24VAC    | 10 Sec.       | Fixed      | 1           | <b>CUA-41-30010</b> |
| 24VAC    | 1 to 10 Sec.  | Resistor   | 2           | <b>CUF-41-30010</b> |
|          | 1 to 10 Sec.  |            |             | CUF-42-30010        |
| 120VAC   | 1 to 10 Sec.  | Knob       | 1           | <b>CUB-51-70010</b> |
|          | 1 to 30 Sec.  |            |             | <b>CUB-51-70030</b> |
|          | 1 to 60 Sec.  |            |             | <b>CUB-51-70060</b> |
|          | 1 to 120 Sec. |            |             | <b>CUB-51-70120</b> |
| 120VAC   | 1 Sec.        | Fixed      | 1           | <b>CUA-41-70001</b> |
|          | 3 Sec.        |            |             | <b>CUA-41-70003</b> |
|          | 3 Sec.        |            |             | CUA-42-70003        |
|          | 5 Sec.        |            |             | <b>CUA-41-70005</b> |
|          | 10 Sec.       |            |             | <b>CUA-41-70010</b> |
|          | 10 Sec.       |            |             | CUA-42-70010        |
|          | 120 Sec.      |            |             | CUA-42-70030        |
| 120 Sec. | CUA-41-70120  |            |             |                     |

| Voltage | Time          | Adjustment | Wiring Dia. | Part Number         |
|---------|---------------|------------|-------------|---------------------|
| 120VAC  | 1 to 10 Sec.  | Resistor   | 2           | <b>CUF-41-70010</b> |
|         | 1 to 10 Sec.  |            |             | <b>CUF-42-70010</b> |
|         | 1 to 30 Sec.  |            |             | <b>CUF-41-70030</b> |
|         | 1 to 120 Sec. |            |             | <b>CUF-41-70120</b> |
|         | 1 to 120 Sec. |            |             | <b>CUF-42-70120</b> |
| 24VDC   | 1 to 10 Sec.  | Resistor   | 2           | <b>CUH-41-30010</b> |
|         | 1 to 10 Sec.  |            |             | <b>CUH-42-30010</b> |
|         | 1 to 120 Sec. |            |             | <b>CUH-41-30120</b> |
|         | 1 to 120 Sec. |            |             | CUH-42-30120        |

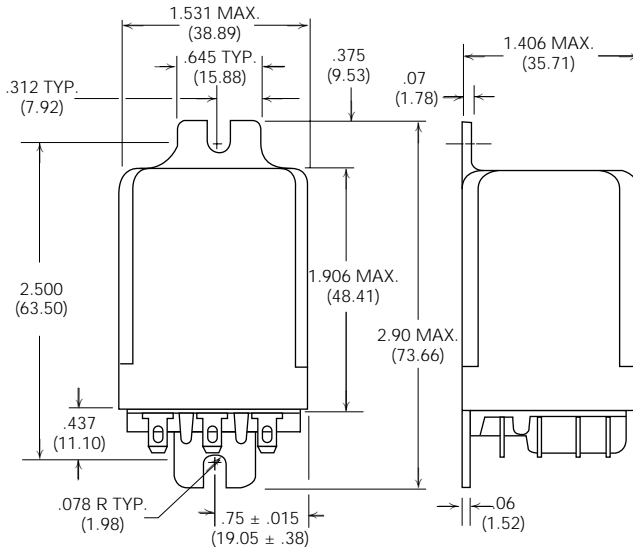
41 style models (e.g. CUA-41-70010) have plain case.  
42 style models (e.g. CUA-42-70010) have bracket mount case.  
51 style models (e.g. CUB-51-70010) have plain case with knob.

**Outline Dimensions**

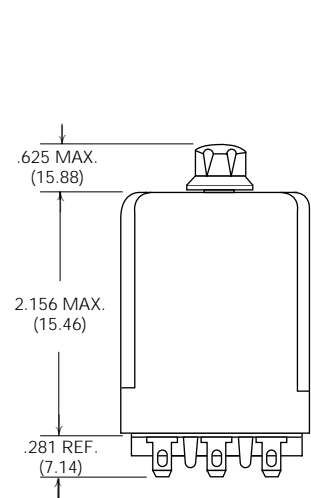
**41 Style**



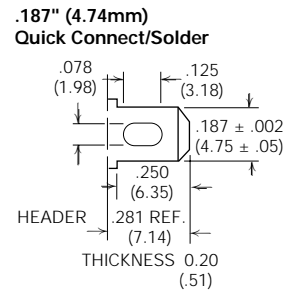
**42 & 45 Style**



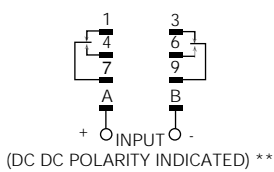
**51 Style**



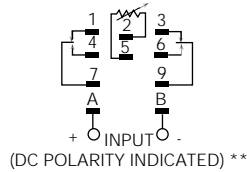
**Terminal Dimensions**



**Wiring Diagrams – Bottom Views**



**Fig. 1**



**Fig. 2**

\*\* Note: Input polarity for DC operation. For most reliable operation on AC, connect high side to "+" and low side to "-".

**External Resistor Selection Chart**

See External Resistor Selection Charts at beginning of Time Delay Relay section of this Databook.

Компания «Life Electronics» занимается поставками электронных компонентов импортного и отечественного производства от производителей и со складов крупных дистрибьюторов Европы, Америки и Азии.

С конца 2013 года компания активно расширяет линейку поставок компонентов по направлению коаксиальный кабель, кварцевые генераторы и конденсаторы (керамические, пленочные, электролитические), за счёт заключения дистрибьюторских договоров

Мы предлагаем:

- Конкурентоспособные цены и скидки постоянным клиентам.
- Специальные условия для постоянных клиентов.
- Подбор аналогов.
- Поставку компонентов в любых объемах, удовлетворяющих вашим потребностям.
- Приемлемые сроки поставки, возможна ускоренная поставка.
- Доставку товара в любую точку России и стран СНГ.
- Комплексную поставку.
- Работу по проектам и поставку образцов.
- Формирование склада под заказчика.
- Сертификаты соответствия на поставляемую продукцию (по желанию клиента).
- Тестирование поставляемой продукции.
- Поставку компонентов, требующих военную и космическую приемку.
- Входной контроль качества.
- Наличие сертификата ISO.

В составе нашей компании организован Конструкторский отдел, призванный помогать разработчикам, и инженерам.

Конструкторский отдел помогает осуществить:

- Регистрацию проекта у производителя компонентов.
- Техническую поддержку проекта.
- Защиту от снятия компонента с производства.
- Оценку стоимости проекта по компонентам.
- Изготовление тестовой платы монтаж и пусконаладочные работы.



Тел: +7 (812) 336 43 04 (многоканальный)

Email: [org@lifeelectronics.ru](mailto:org@lifeelectronics.ru)