



ULTRAVOLT® EFL SERIES
ENHANCED FLOATING HOT DECK
LOW-VOLTAGE POWER SUPPLIES WITH
ISOLATED DIGITAL AND ANALOG I/O





Enhanced floating hot deck low- voltage power supplies

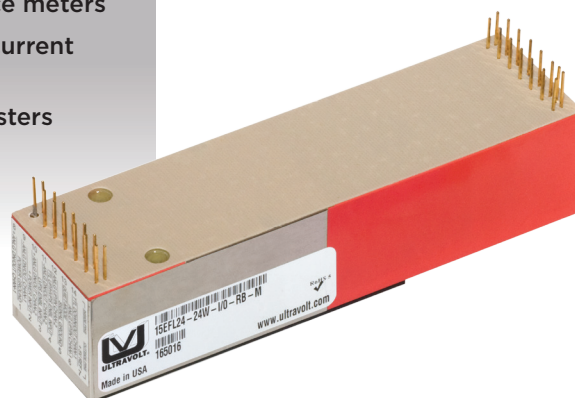
The EFL series of floating hot deck, low-voltage (LV) power supplies offers an integrated solution for systems requiring LV power and controls with high voltage isolation. Combining a highly isolated, DC-to-DC, multi-output low-voltage power supply (LVPS) with an advanced isolated digital and analog I/O topology, the EFL subsystem provides both power and controls to floating-hot-deck circuitry. This solution, when combined with one or more UltraVolt® HVPS or other circuitry, can provide high-performance solutions for a variety of applications.

Features

- › Precision analog control
- › Linearity of $\pm 0.05\%$ and accuracy of $\pm 0.2\%$
- › 10ppm temperature coefficient
- › Isolated up to 15 kV or 30 kV
- › Isolation resistance of 150 G Ω (15 kV) or 2 G Ω (30 kV)
- › 4 regulated floating LV power outputs
- › Isolated digital and analog I/O to and from floating hot deck

Typical Applications

- › Floating/stacked ion or e-beam biases
- › Floating filament bias
- › Floating pulsed and gated grids
- › Floating capacitance meters
- › Floating high side current monitors
- › Floating leakage testers





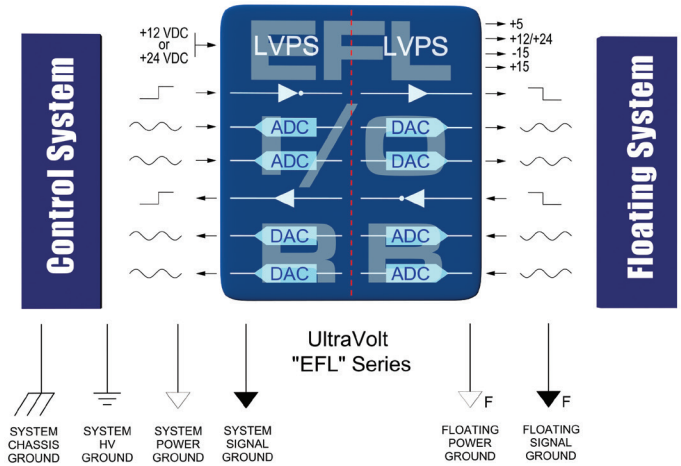
NORMAL, HALF-QUIET, AND QUIET MODES

All EFLs feature a mode control. Three different models—normal, half-quiet, and quiet—are selectable via the voltage level at the mode pin. A voltage between -1.0 and +0.8 V keeps the unit in normal mode; the up and down analog channels follow their inputs. If the mode feature is not used, the mode pin must be grounded for the EFL to operate properly.

A voltage more negative than -4.00 V places the EFL in half-quiet mode. The up channels do not respond to changes in their inputs in half-quiet mode.

A voltage greater than +3.75 V and less than +5.0 V places the EFL in quiet mode. In quiet mode, the up and down channels do not respond to changes in their inputs.

The voltage level at the mode pin must not exceed +5.0 V at any time. Please contact Advanced Energy® for an analysis of your requirements.



Note: If a voltage > 0.8 V is applied to the mode pin, it must source less than 400 μ A.

PARAMETER	CONDITIONS	MODELS			UNITS
Input Power		12 W	24 W	36 W (15 kV only)	
Voltage Range	Full Power	+12 \pm 5%	+24 \pm 10%	+24 \pm 10%	VDC
Current	Standby (Disabled)	< 150	< 100	< 100	mA
Current	No Load	< 0.50	< 0.50	< 0.50	A
Current	Max Load	< 2.50	< 2.30	< 3.00	A
AC Ripple Current	Nominal Input, Full Load	< 50	< 50	< 50	mA pk to pk
Local Controls: Reference		All Types			
Output Voltage	T = +25°C, Initial Value	+5.1 \pm 2%			VDC
Output Impedance	T = +25°C	464 \pm 1%			Ω
Stability	Over Full Temperature Range	0.4			mV/°C
Local Controls: LVPS Enable/Disable		All Types			
Power Supply On	Open, or a Voltage Above TTL High (Isinke < 400 μ A)	+3.2 to 5			VDC
Power Supply Off	Grounded, or a Voltage Below TTL Low	< 0.8 (Isinke 1 mA min)			VDC
Input/Output Isolation		15EFL	30EFL		
Isolation Voltage	Continuous	15	30		kV
Isolation Resistance	All Inputs to All Outputs	150	2		G Ω
Leakage Capacitance	All Inputs to All Outputs	< 40 std, < 50 "-E"	< 40 std		pF



PARAMETER	CONDITIONS	MODELS			UNITS
Isolated Power Outputs		12 W	24 W	36 W (15 kV only)	
Output #1 Power	Nominal Input, Max Iout	12	24	36	W
Output #1 Voltage	Nominal Input Voltage Range	+12 ±2%	+24 ±2%	+24 ±2%	VDC
Output #1 Current	Min to Max	0 to 1	0 to 1	0 to 1.5	A
Output #1 Line Regulation	Nominal Input Range, Full Load	< 0.1%	< 0.1%	< 0.1%	VDC
Output #1 Load Regulation	No Load to Full Load	< 0.25%	< 0.30%	< 0.40%	VDC
Output #1 Ripple	Full Load	< 2.5%	< 1.5%	< 1.5%	V pk to pk
Output #2 and #4 Voltage	Nominal Input Voltage Range	±15 ±5%	±15 ±5%	±15 ±5%	VDC
Output #2 and #4 Current	Min to Max	0 to 50	0 to 50	0 to 50	mA
Output #2 and #4 Line Regulation	Nominal Input Range, Full Load	< 0.3%	< 0.3%	< 0.3%	VDC
Output #2 and #4 Load Regulation	No Load to Full Load	< 5%	< 1%	< 1%	VDC
Output #2 and #4 Ripple	Full Load	< 2.5%	< 2.5%	< 2.5%	V pk to pk
Output #3 Voltage	Nominal Input Voltage Range	+5.1 ±1%	+5.1 ±1%	+5.1 ±1%	VDC
Output #3 Current	Min to Max	500	500	500	mA
Output #3 Line Regulation	Nominal Input Range, Full Load	< 1%	< 1%	< 1%	VDC
Output #3 Load Regulation	No Load to Full Load	< 1%	< 1%	< 1%	VDC
Output #3 Ripple	Full Load	< 4%	< 4%	< 4%	V pk to pk
Isolated Controls: TTL Channel "Up"		All Types			
Local Input	Source Voltage, Sink Current	0 ≤ 0.5 (Isink 3 mA min)			
		1 ≥ 2.4 (300 μA max or open collector)			VDC
Isolated Output	Inverted and Buffered TTL	1 ≥ 2.4, 0 ≤ 0.55 ± (sources 0.8 mA, sinks 3 mA)			VDC
Baud Rate	Duty Cycle	< 15			ms
Isolated Controls: Analog "Up"		12 V	24 V		
Local Input Voltage	Range	0 to +5	0 to +10		VDC
Isolated Output Voltage	Range	0 to +5	0 to +10		VDC
Local Input Impedance		20.0 K			Ω
Initial Offset Error		< ±2			mV
Gain Error	Full Scale	< ±0.2%			VDC
Linearity Error	Full Scale	< ±0.05%			VDC
Stability	30 Min Warmup, Per 8 h, per day	< 0.02%			VDC
Temperature Coefficient	0 to +55 °C	< ±10			ppm/°C
Bandwidth	Symmetric or Asymmetric Signal	DC to 4			Hz



-RB' ISOLATED CONTROLS: TTL CHANNEL "DOWN"

Parameter	Conditions	All Types	Units
Isolated 'Hot Deck' Input	Source Voltage, Sink Current	$0 \leq 0.5$ (Isink 1 mA Min)	VDC
		$1 \geq 2.4$ (300 μ A max or open collector)	
Local Output	Inverted and Buffered TTL	$1 > 2.4$ (sources 0.8 mA)	VDC
		$0 < 0.55$ (sinks 10 mA)	
Propagation Delay	Duty Cycle	< 15	ms

ISOLATED CONTROLS: ANALOG CHANNELS #1 and #2 "DOWN"

Parameter	Conditions	All Types	Units
Isolated 'Hot Deck' +Input	Range	0 to +5 for 12 V and 0 to +10 for 24 V	VDC
Isolated 'Hot Deck' -Input	Range	0 to -5 for 12 V and 0 to -10 for 24 V	VDC
Isolated 'Hot Deck' + or -Input impedance	Signal Source	> 10	M Ω
Local Output +Voltage	Range	0 to +5 for 12 V and 0 to +10 for 24 V	VDC
Local Output -Voltage	Range	0 to -5 for 12 V and 0 to -10 for 24 V	VDC
Initial Offset Error	Signal Source	$< \pm 2$	mVDC
Gain Error	Full Scale	$< \pm 0.2\%$	VDC
Linearity Error	Full Scale	$< \pm 0.05\%$	VDC
Stability	30 Min Warmup, Per 8 h, Per Day	$< 0.01\%/< 0.02\%$	VDC
Temperature Coefficient	-20 to +55°C	$< \pm 10$	ppm/°C
Bandwidth	Symmetric or Asymmetric Signal	DC to 4	Hz
Temperature		All Types	
Operating	Full Load, Case Measurement	-20 to +55	°C
Storage	Non-operating, Case Measurement	-55 to +85	°C
Thermal Shock	Mil-Std-810, Method 503-4, Proc. II	-20 to +55	°C
Altitude		All Types	
Operating	All Operating Conditions	Sea level to vacuum	-
Storage	Non-operating	Sea level to vacuum	-
Shock and Vibration		All Types	
Shock	Mil-Std-810, Method 516.5, Proc. IV	20	Gs
Vibration	Mil-Std-810, Method 514.5, Fig. 514.5C-3	10	Gs

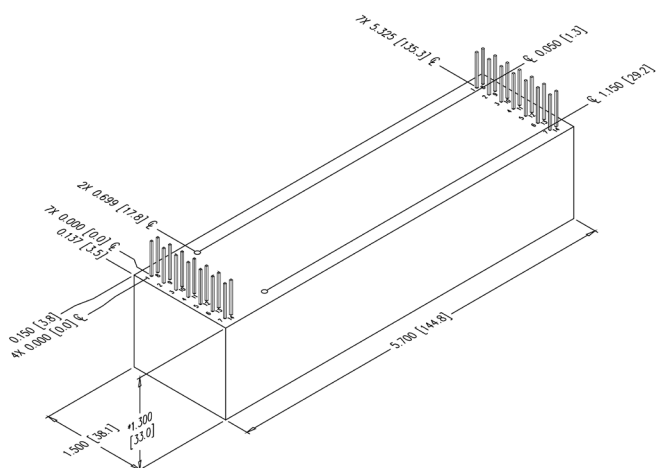
Note: Analog channels #1 and #2 DOWN parameters are valid for outputs in the range of 10 to 100% of maximum.

LOCAL CONNECTIONS

Pin	Function
1	INPUT POWER GROUND RETURN
2	POSITIVE POWER INPUT
3	LVPS ENABLE/DISABLE/SYNC IN
4	TTL UP
5	SIGNAL GROUND RETURN
6	ANALOG UP CHANNEL 1
7	+5 V REFERENCE OUTPUT
8	ANALOG DOWN CHANNEL 1, +
9	ANALOG DOWN CHANNEL 1, -
10	ANALOG DOWN CHANNEL 2, +
11	ANALOG DOWN CHANNEL 2, -
12	ANALOG UP CHANNEL 2
13	MODE
14	TTL OUTPUT (INVERTED DIGITAL DOWN CHANNEL 1)

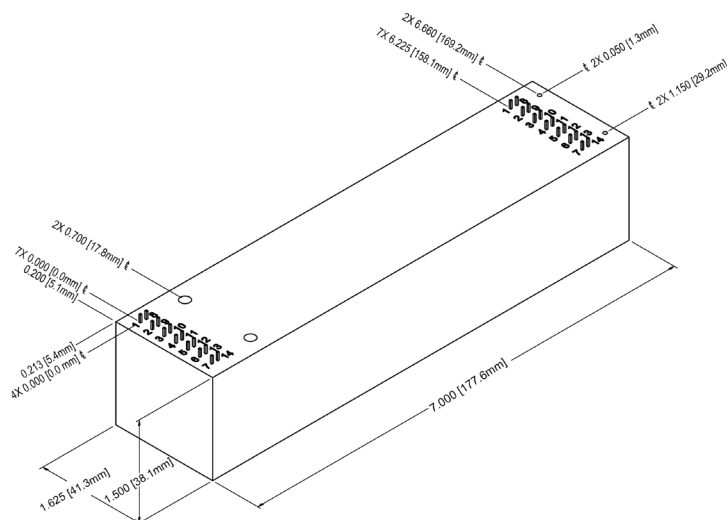
ISOLATED/FLOATING CONNECTIONS

Pin	Function
1	ANALOG DOWN CHANNEL 1, +
2	ANALOG DOWN CHANNEL 1, -
3	ANALOG DOWN CHANNEL 2, +
4	ANALOG DOWN CHANNEL 2, -
5	+15 VDC OUTPUT
6	ANALOG UP CHANNEL 2
7	FLOATING TTL INPUT (DIGITAL DOWN CHANNEL 1)
8	FLOATING POWER GROUND RETURN
9	FLOATING +12 VDC OR +24VDC OUTPUT
10	FLOATING -15 VDC OUTPUT
11	FLOATING TTL UP
12	FLOATING SIGNAL GROUND RETURN
13	FLOATING ANALOG UP CHANNEL 1
14	FLOATING +5.1 VDC REFERENCE OUTPUT



15EFL Module

Note: Pins appear shorter in the outline drawing than actual module to ease visibility of pinout numbers. Minimum pin height from the cover is 7.62 mm (0.300").



30EFL Module

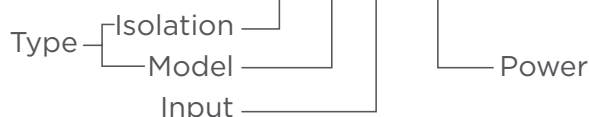
PHYSICAL SPECIFICATIONS

Construction	Epoxy-filled DAP box certified to ASTM-D-5948
Size	
Volume	15EFL: 181.9 cc (11.1 in ³) 30EFL: 275.3 cc (16.8 in ³)
Weight	15EFL: 377.1 g (13.3 oz) 30EFL: 569.8 g (20.1 oz)
Tolerance	
Overall	±1.27 mm (0.050")
Pin to Pin	±0.38 mm (0.015")
15EFL	Mounting hole locations ±0.64 mm (0.025")
30EFL	Mounting hole locations ±0.76 mm (0.030")

ORDERING INFORMATION

Type	15 kV Isolation	15EFL
	30 kV Isolation	30EFL
Input Voltage	12 VDC Nominal	12
	24 VDC Nominal	24
Power	Watts Output (12 Vin Only)	-12 W
	Watts Output (24 Vin Only)	-24 W
	Watts Output (15 kVout, 24 Vin Only)	-36 W
Standard Features	(1) Digital Up Channel and (2) Analog Up Channels	-I/O
	(1) Digital Down Channel and (2) Analog Down Channels	-R/B
Options	Partial Mu-Metal Shield	-M
Case	Plastic Case—Diallyl Phthalate	Standard
	"Eared" Chassis Mounting Plate (15 kV only)	-E

Example: **15EFL12-12W-I/O-RB**



Non-RoHS compliant units are available. Please contact the factory for more information.



For international contact information, visit
advanced-energy.com.

Компания «Life Electronics» занимается поставками электронных компонентов импортного и отечественного производства от производителей и со складов крупных дистрибьюторов Европы, Америки и Азии.

С конца 2013 года компания активно расширяет линейку поставок компонентов по направлению коаксиальный кабель, кварцевые генераторы и конденсаторы (керамические, пленочные, электролитические), за счёт заключения дистрибьюторских договоров

Мы предлагаем:

- Конкурентоспособные цены и скидки постоянным клиентам.
- Специальные условия для постоянных клиентов.
- Подбор аналогов.
- Поставку компонентов в любых объемах, удовлетворяющих вашим потребностям.
- Приемлемые сроки поставки, возможна ускоренная поставка.
- Доставку товара в любую точку России и стран СНГ.
- Комплексную поставку.
- Работу по проектам и поставку образцов.
- Формирование склада под заказчика.
- Сертификаты соответствия на поставляемую продукцию (по желанию клиента).
- Тестирование поставляемой продукции.
- Поставку компонентов, требующих военную и космическую приемку.
- Входной контроль качества.
- Наличие сертификата ISO.

В составе нашей компании организован Конструкторский отдел, призванный помогать разработчикам, и инженерам.

Конструкторский отдел помогает осуществить:

- Регистрацию проекта у производителя компонентов.
- Техническую поддержку проекта.
- Защиту от снятия компонента с производства.
- Оценку стоимости проекта по компонентам.
- Изготовление тестовой платы монтаж и пусконаладочные работы.



Тел: +7 (812) 336 43 04 (многоканальный)
Email: org@lifeelectronics.ru