

4

3

2

1


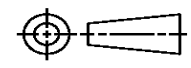
THIS DRAWING IS UNPUBLISHED. RELEASED FOR PUBLICATION
© COPYRIGHT ALL RIGHTS RESERVED.

| LOC | | DIST | | REVISIONS | | |
|-----|-----|---------------|-----------|-----------|------|--|
| P | LTR | DESCRIPTION | DATE | DWN | APVD | |
| | F1 | ECR-14-018880 | 17DEC2014 | GK | HMR | |
| | | | | | | |
| | | | | | | |

REPLACED BY OCEAN STYLE APPLICATOR PART NUMBER 2266508-1

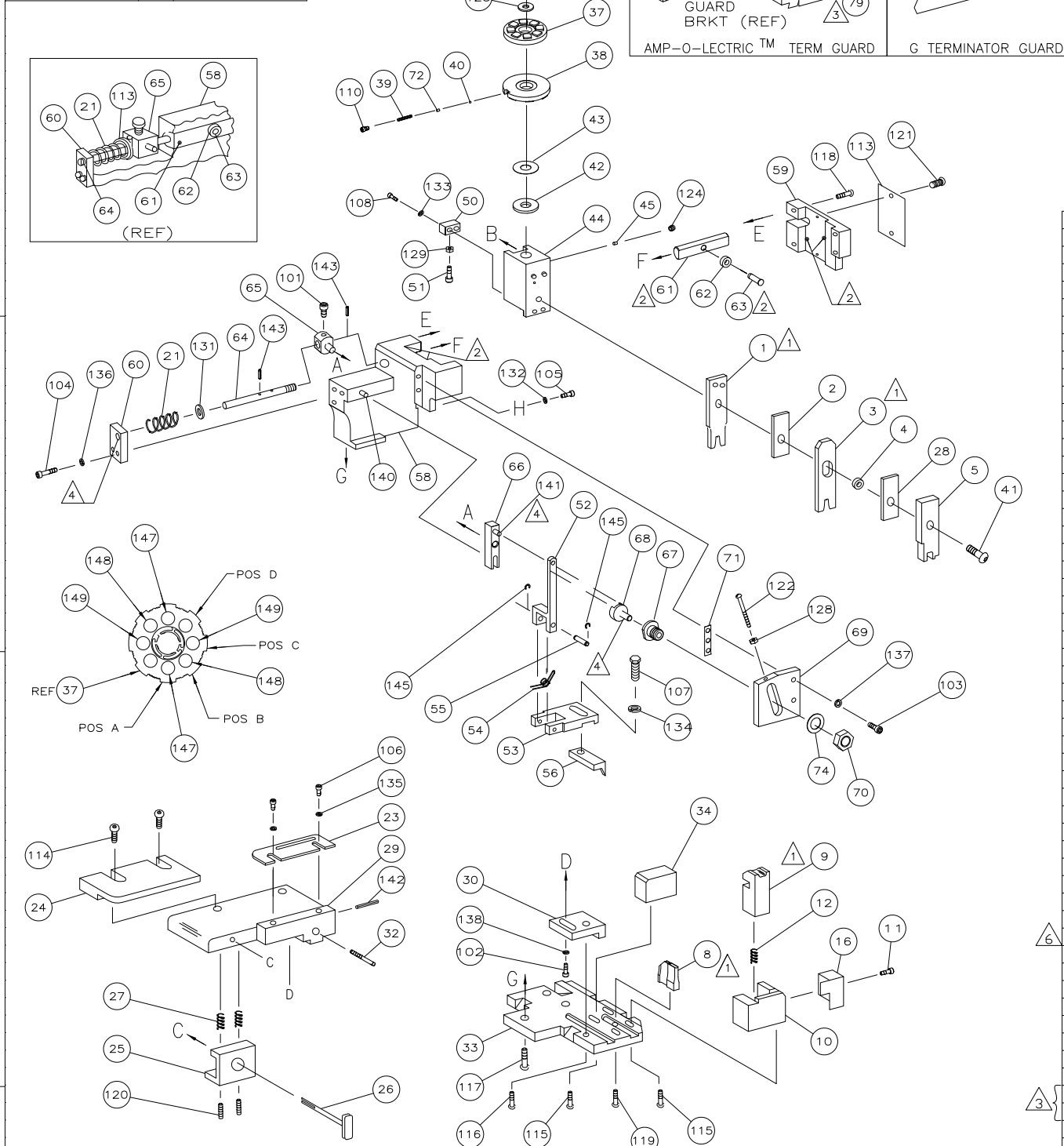
FOR REPLACEMENT PARTS FOR APPLICATOR 466469
REFER TO ADDITIONAL PAGE(S). SPARE PARTS KIT (IF LISTED)
WILL REMAIN AVAILABLE.

THE REPLACEMENT OCEAN STYLE APPLICATOR HAS THE
SAME TERMINATOR/PRESS INTERFACE AS APPLICATOR
466469

| | | | | | | | |
|---------------------------------------------------------------------------------------|--|----------------------------------------|------------------|------------------|---------------------------------------------------------------------------------------|----------------------|------------|
| THIS DRAWING IS A CONTROLLED DOCUMENT. | | DWN | GOPALAKRISHNA HV | |  | TE Connectivity | |
| DIMENSIONS: | | CHK | RAGHAVENDRA | | | NAME | |
|  | | TOLERANCES UNLESS OTHERWISE SPECIFIED: | | APVD | MINIATURE QUICK CHANGE | | |
| | | 0 PLC ± | 1 PLC ± | RAGHAVENDRA | | APPLICATOR SIDE FEED | |
| MATERIAL | | 2 PLC ± | 3 PLC ± | PRODUCT SPEC | SIZE | CAGE CODE | DRAWING NO |
| FINISH | | 4 PLC ± | ANGLES ± | APPLICATION SPEC | A3 | | ©- 466469 |
| | | | | WEIGHT | RESTRICTED TO | | |
| | | | | CUSTOMER DRAWING | SCALE | SHEET 1 OF 2 | REV F1 |

THIS DRAWING IS UNPUBLISHED. RELEASED FOR PUBLICATION. BY TYCO ELECTRONICS CORPORATION. ALL RIGHTS RESERVED.

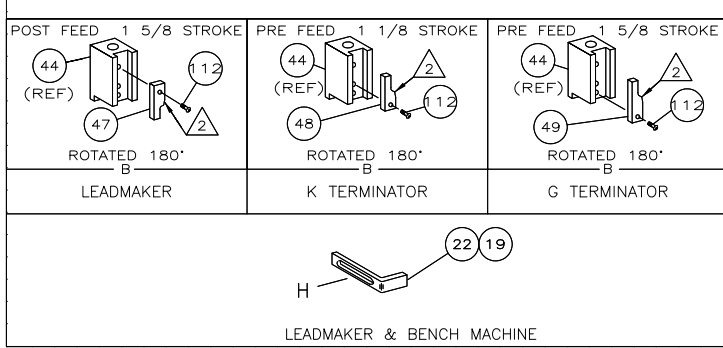
| PART NUMBER | REV | FIRST USED |
|-------------|-----|------------|
| 466469-1 | F | - |
| 466469-2 | F | - |
| 466469-3 | F | - |



| TERMINAL NAME: .093 PIN RECEPTACLE | | | | | |
|------------------------------------|----------------|-----------|------------------|-------------|--------|
| CRIMPING DATA | | | | | |
| PAD LTR | CRIMP HEIGHT | WIRE SIZE | | | |
| A | .051 ± .002 | 18 | | | |
| B | .046 ± .002 | 20 | | | |
| C | .043 ± .002 | 22 | | | |
| D | NOT USED | USED | | | |
| CRIMP | SIZE | TYPE | RANGE | | |
| WIRE | .070 | F | 22-18 | | |
| INSUL | .120 | 0 | .060-.110 | | |
| WIRE STRIP LENGTH | TERM APPL SPEC | FEED | APPL INSTRUCTION | SET UP GAGE | LAYOUT |
| .125-.155 | 114-1008 | .405 | AI 8040 | 458637-1 | 234 |

| QTY REQD PER ASSY | REF | REF | REF | REF | DESCRIPTION | ITEM NO |
|-------------------|-----|-----|-----|------------|-----------------------------------|---------|
| 2 | 2 | 2 | - | 4-354779-2 | PIN, WIRE DISC (.3200)C | 149 |
| 2 | 2 | 2 | - | 3-354779-6 | PIN, WIRE DISC (.3170)B | 148 |
| 2 | 2 | 2 | - | 2-354779-6 | PIN, WIRE DISC (.3120)A | 147 |
| REF | REF | REF | - | 21045-3 | RING,RET "C"(Ø.187)FD FING PIN | 146 |
| REF | REF | REF | - | 5-21028-1 | PIN,SLT SPR(Ø.125x.50)ADJ ROD | 144 |
| 1 | 1 | 1 | - | 4-21028-0 | PIN,SLT SPR(Ø.093x.75)STR G PLATE | 143 |
| REF | REF | REF | - | 1-21030-1 | PIN,DOWEL(Ø.187x.50)LEVER | 141 |
| REF | REF | REF | - | 1-21030-6 | PIN,DOWEL(Ø.187x1.25)HOUSING | 140 |
| 1 | 1 | 1 | - | 21024-5 | WASHER, LOCK(#10)ADJ BLOCK | 139 |
| REF | REF | REF | - | 21024-5 | WASHER,LOCK(#10)ADJ BLOCK | 138 |
| REF | REF | REF | - | 21024-5 | WASHER,LOCK(#10)FEED GDE ROD | 137 |
| 3 | 3 | 3 | - | 21057-2 | WASHER,LOCK(#4)FRONT STP GUIDE | 136 |
| 1 | 1 | 1 | - | 21024-4 | WASHER,LOCK(#8)FEED FINGER | 135 |
| 2 | 2 | 2 | - | 21024-4 | WASHER,LOCK(#8)DEPRESSOR | 134 |
| 1 | 1 | 1 | - | 21024-4 | WASHER,LOCK(#8)STRIPPER | 133 |
| REF | REF | REF | - | 21899-4 | WASHER,FLAT(Ø5/16)SCREW ADJ | 132 |
| 1 | 1 | 1 | - | 21068-5 | NUT,HEX(6-32)HOLDDOWN | 131 |
| REF | REF | REF | - | 21068-5 | NUT,HEX(6-32)FEED ADJ | 130 |
| 1 | 1 | 1 | - | 21068-5 | NUT,HEX(6-32)HOLDDOWN | 129 |
| 1 | 1 | 1 | - | 21068-5 | NUT,HEX(6-32)FEED ADJ | 128 |
| 1 | 1 | 1 | - | 21068-5 | NUT,HEX(6-32)HOLDDOWN | 127 |
| 1 | 1 | 1 | - | 21068-5 | NUT,HEX(6-32)FEED ADJ | 126 |
| 1 | 1 | 1 | - | 986950-1 | WASHER, FLAT PRECISION | 125 |
| 1 | 1 | 1 | - | 21009-2 | SCR,SKT SET(1/4-20x.25 LW)RAM | 124 |
| REF | REF | REF | - | 3-21064-2 | SCR,RD HD(6-32x1.50)FEED ADJ | 123 |
| 2 | 2 | 2 | - | 21017-2 | SCR,DRIVE(#2x.19)ID PLATE | 122 |
| 2 | 2 | 2 | - | 5-21006-6 | SCR,SET(10-32x.75)DRAG | 121 |
| 1 | 1 | 1 | - | 22733-8 | SCR,BHC(8-32x.38 LW)ANVIL | 120 |
| REF | REF | REF | - | 2-21002-9 | SCR,BHC(10-32x.75)CAP | 119 |
| REF | REF | REF | - | 1-24073-9 | SCR,BHC(1/4-20x.75)HOUSING | 118 |
| REF | REF | REF | - | 2-21002-7 | SCR,BHC(10-32x.50)SG ADJ BLOCK | 117 |
| 2 | 2 | 2 | - | 2-21002-2 | SCR,BHC(8-32x.50)SHEAR | 116 |
| 2 | 2 | 2 | - | 2-21002-2 | SCR,BHC(8-32x.50)R STRIP GUIDE | 115 |
| 1 | 1 | 1 | - | 461264-1 | PLATE, IDENTIFICATION | 114 |
| 1 | 1 | 1 | - | 1-21002-7 | SCR,BHC(6-32x.38)CAM | 113 |
| 1 | 1 | 1 | - | 1-21002-7 | SCR,BHC(6-32x.38)CAM | 112 |
| 1 | 1 | 1 | - | 23030-1 | SCR,SHC(6-32x.25)LOC-WEL)CP DISC | 111 |
| 2 | 2 | 2 | - | 2-21000-7 | SCR,SHC(8-32x.48)DEP-HOLD | 110 |
| 1 | 1 | 1 | - | 2-22603-0 | SCR,HEX HD(8-32x.31)FEED FINGER | 109 |
| 3 | 3 | 3 | - | 1-21000-3 | SCR,SHC(4-40x.25)F ST GUIDE | 108 |
| 1 | 1 | 1 | - | 2-21000-7 | SCR,SHC(8-32x.50)STRIPPER | 107 |
| REF | REF | REF | - | 3-21000-7 | SCR,SHC(10-32x.75)FEED ROD GD | 106 |
| REF | REF | REF | - | 3-21000-6 | SCR,SHC(10-32x.62)FD ADJ BLK | 105 |
| 1 | 1 | 1 | - | 3-21000-4 | SCR,SHC(10-32x.38)SG ADJ BL | 104 |
| REF | REF | REF | - | 3-21000-4 | SCR,SHC(10-32x.38)PIVOT BLK | 103 |
| - | REF | - | - | 455749-1 | GUARD, WINDOW | 102 |
| REF | - | - | - | 679532-1 | INSERT, GUARD | 101 |
| REF | REF | REF | - | 458109-1 | WASHER, SPECIAL | 100 |
| 1 | 1 | 1 | - | 690603-1 | SPRING, ASSIST | 99 |
| REF | REF | REF | - | 690517-1 | SPACER | 98 |
| -3 | -2 | -1 | U/M | PART NO | DESCRIPTION | ITEM NO |
| PARTS LIST | | | | | | |

| LOC | DIST | REVISIONS | | | | |
|------------|---------------|-----------|--------|-------------|-----------------------------|---------|
| A | 66 | REV | DATE | BY | APPD | |
| F | ECR-07-018521 | | 8-2007 | MY | GB | |
| REF | REF | REF | REF | DESCRIPTION | ITEM NO | |
| REF | REF | REF | - | 22594-8 | NUT,HEX(1/2-20) | 70 |
| REF | REF | REF | - | 240628-1 | PLATE, ADJUSTMENT | 69 |
| REF | REF | REF | - | 240626-1 | SHAFT, PIVOT | 68 |
| REF | REF | REF | - | 240633-1 | BUSHING | 67 |
| REF | REF | REF | - | 455680-1 | LEVER, INTERMEDIATE | 66 |
| REF | REF | REF | - | 240629-1 | BLOCK, PIVOT | 65 |
| REF | REF | REF | - | 240632-2 | SCREW, ADJ FEED ROD | 64 |
| REF | REF | REF | - | 240659-3 | PIN, CAM ROLLER | 63 |
| REF | REF | REF | - | 240658-1 | ROLLER, CAM | 62 |
| REF | REF | REF | - | 454398-2 | ROD, FEED | 61 |
| REF | REF | REF | - | 454178-1 | GUIDE, FEED ROD | 60 |
| REF | REF | REF | - | 454220-1 | CAP, RAM | 59 |
| REF | REF | REF | - | 454485-1 | HOUSING | 58 |
| 1 | 1 | 1 | - | 458537-2 | PAWL, FEED | 57 |
| REF | REF | REF | - | 240624-1 | PIN, FEED FINGER | 56 |
| REF | REF | REF | - | 691499-1 | SPRING, FEED FINGER | 55 |
| REF | REF | REF | - | 690541-1 | HOLDER, FEED FINGER | 54 |
| REF | REF | REF | - | 455679-2 | LEVER, TERMINAL FEED ARM | 53 |
| 1 | 1 | 1 | - | 811242-2 | BUMPER, HOLDDOWN | 52 |
| 1 | 1 | 1 | - | 690753-1 | SPACER, TONKER | 51 |
| 1 | - | - | - | 690602-6 | CAM, PRE-FEED 1 5/8 ST | 50 |
| - | 1 | - | - | 690602-5 | CAM, PRE-FEED 1 1/8 ST | 49 |
| - | - | 1 | - | 690501-4 | CAM, POST-FEED 1 5/8 ST | 48 |
| 1 | 1 | 1 | - | 459456-2 | APPLICATOR, BASIC (SUBASSY) | 47 |
| 1 | 1 | 1 | - | 690191-1 | PLUG, NYLON | 46 |
| 1 | 1 | 1 | - | 455673-1 | RAM | 45 |
| 1 | 1 | 1 | - | 690125-1 | WASHER, LAMINATED | 44 |
| 1 | 1 | 1 | - | 690124-1 | WASHER, RAM | 43 |
| 1 | 1 | 1 | - | 7-21002-9 | BOLT, CRIMPER | 42 |
| 1 | 1 | 1 | - | 23241-6 | BALL, STEEL | 41 |
| 1 | 1 | 1 | - | 690170-1 | SPRING, COMPRESSION | 40 |
| 1 | 1 | 1 | - | 690142-1 | DISC, INSULATION | 39 |
| 1 | 1 | 1 | - | 354777-1 | DISC, WIRE, PLASTIC | 38 |
| 1 | 1 | 1 | - | 22480-5 | WASHER, SPRING | 37 |
| 1 | 1 | 1 | - | 690212-1 | POST, RAM | 36 |
| REF | REF | REF | - | 455675-1 | PLATE, BASE | 35 |
| 1 | 1 | 1 | - | 690432-3 | SCREW, ADJUSTMENT | 34 |
| REF | REF | REF | - | 455689-1 | BLOCK, STRIP GUIDE ADJ | 33 |
| 1 | 1 | 1 | - | 455671-1 | STRIP GUIDE PLATE ASSY | 32 |
| 1 | 1 | 1 | - | 1-455888-2 | SPACER, FRONT SHEAR DEP | 31 |
| 2 | 2 | 2 | - | 1-22284-0 | SPRING, DRAG | 30 |
| 1 | 1 | 1 | - | 690546-1 | LEVER, DRAG RELEASE | 29 |
| 1 | 1 | 1 | - | 240792-1 | DRAG, TERMINAL | 28 |
| 1 | 1 | 1 | - | 690504-9 | GUIDE, STRIP (REAR) | 27 |
| 1 | 1 | 1 | - | 690438-1 | GUIDE, STRIP (FRONT) | 26 |
| - | - | 1 | - | 690472-2 | STRIPPER | 25 |
| REF | REF | REF | - | 4-22284-9 | SPRING, FEED RETURN | 24 |
| 1 | 1 | - | - | 691353-1 | STRIPPER | 23 |
| 1 | 1 | - | - | 691353-1 | STRIPPER | 22 |
| 1 | 1 | - | - | 691353-1 | STRIPPER | 21 |
| 1 | 1 | - | - | 691353-1 | STRIPPER | 20 |
| 1 | 1 | - | - | 691353-1 | STRIPPER | 19 |
| 1 | 1 | - | - | 691353-1 | STRIPPER | 18 |
| 1 | 1 | - | - | 691353-1 | STRIPPER | 17 |
| 1 | 1 | - | - | 691667-1 | GUARD, CHIP, FRONT | 16 |
| 1 | 1 | - | - | 691667-1 | GUARD, CHIP, FRONT | 15 |
| 1 | 1 | - | - | 691667-1 | GUARD, CHIP, FRONT | 14 |
| 1 | 1 | - | - | 691667-1 | GUARD, CHIP, FRONT | 13 |
| 1 | 1 | - | - | 3-22280-3 | SPRING, SHEAR | 12 |
| 1 | 1 | - | - | 690461-1 | STOP, SHEAR | 11 |
| 1 | 1 | - | - | 690459-1 | HOLDER, SHEAR (FRONT) | 10 |
| 1 | 1 | - | - | 454276-1 | SHEAR, FLOAT (FRONT) | 9 |
| 1 | 1 | - | - | 3-690471-6 | ANVIL | 8 |
| 1 | 1 | - | - | 3-690471-6 | ANVIL | 7 |
| 1 | 1 | - | - | 3-690471-6 | ANVIL | 6 |
| 1 | 1 | - | - | 3-690471-6 | ANVIL | 5 |
| 1 | 1 | - | - | 1-455889-4 | DEPRESSOR, SHEAR (FRONT) | 4 |
| 1 | 1 | - | - | 238011-5 | SPACER, BLOCK CRIMPER | 3 |
| 1 | 1 | - | - | 6-456135-0 | CRIMPER, INSULATION | 2 |
| 1 | 1 | - | - | 455888-6 | SPACER, CRIMPER | 1 |
| 1 | 1 | - | - | 1-456404-8 | CRIMPER, WIRE | 1 |
| -3 | -2 | -1 | U/M | PART NO | DESCRIPTION | ITEM NO |
| PARTS LIST | | | | | | |



- 1 RECOMMENDED SPARE PARTS.
- 2 GREASE LIGHTLY.
- 3 GUARD MUST BE IN PLACE WHEN OPERATING APPLICATOR IN A BENCH MACHINE.
- 4 LUBRICATE DAILY USING NO. 20 MACHINE OIL.
- 5. ITEMS WITH QTY OF REF SPECIFIED (EXCEPT ITEMS 78 AND 79) ARE USED ON ITEM 46.
- 6 CUT TO LENGTH AT ASSY

Компания «Life Electronics» занимается поставками электронных компонентов импортного и отечественного производства от производителей и со складов крупных дистрибьюторов Европы, Америки и Азии.

С конца 2013 года компания активно расширяет линейку поставок компонентов по направлению коаксиальный кабель, кварцевые генераторы и конденсаторы (керамические, пленочные, электролитические), за счёт заключения дистрибьюторских договоров

Мы предлагаем:

- Конкурентоспособные цены и скидки постоянным клиентам.
- Специальные условия для постоянных клиентов.
- Подбор аналогов.
- Поставку компонентов в любых объемах, удовлетворяющих вашим потребностям.
- Приемлемые сроки поставки, возможна ускоренная поставка.
- Доставку товара в любую точку России и стран СНГ.
- Комплексную поставку.
- Работу по проектам и поставку образцов.
- Формирование склада под заказчика.
- Сертификаты соответствия на поставляемую продукцию (по желанию клиента).
- Тестирование поставляемой продукции.
- Поставку компонентов, требующих военную и космическую приемку.
- Входной контроль качества.
- Наличие сертификата ISO.

В составе нашей компании организован Конструкторский отдел, призванный помогать разработчикам, и инженерам.

Конструкторский отдел помогает осуществить:

- Регистрацию проекта у производителя компонентов.
- Техническую поддержку проекта.
- Защиту от снятия компонента с производства.
- Оценку стоимости проекта по компонентам.
- Изготовление тестовой платы монтаж и пусконаладочные работы.



Тел: +7 (812) 336 43 04 (многоканальный)

Email: org@lifeelectronics.ru