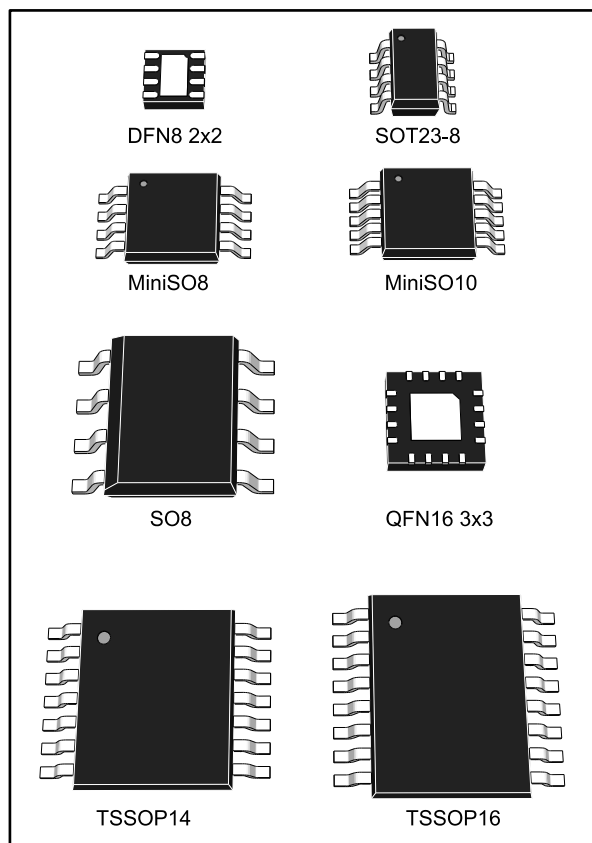


Dual and quad, rail-to-rail input/output, 60 μ A, 880 kHz operational amplifiers

Datasheet - production data



Related products

- See the TSV52x series for higher merit factor (1.15 MHz for 45 μ A)
- See the TSV61x (120 kHz for 9 μ A) or TSV62x (420 kHz for 29 μ A) for more power savings

Applications

- Battery-powered applications
- Portable devices
- Signal conditioning
- Active filtering
- Medical instrumentation

Description

The TSV63x and TSV63xA series of dual and quad operational amplifiers offers low voltage operation and rail-to-rail input and output.

This family features an excellent speed/power consumption ratio, offering an 880 kHz gain-bandwidth product while consuming only 60 μ A at 5 V supply voltage. The devices also feature an ultralow input bias current and TSV633 and TSV635 have a shutdown mode.

These features make the TSV63x and TSV63xA family ideal for sensor interfaces, battery-supplied and portable applications, and active filtering.

Features

- Rail-to-rail input and output
- Low power consumption: 60 μ A typ at 5 V
- Low supply voltage: 1.5 V - 5.5 V
- Gain bandwidth product: 880 kHz typ
- Unity gain stable on 100 pF capacitor
- Low power shutdown mode: 5 nA typ
- Low offset voltage: 800 μ V max (A version)
- Low input bias current: 1 pA typ
- EMI hardened op amps
- Automotive qualification

Table 1: Device summary

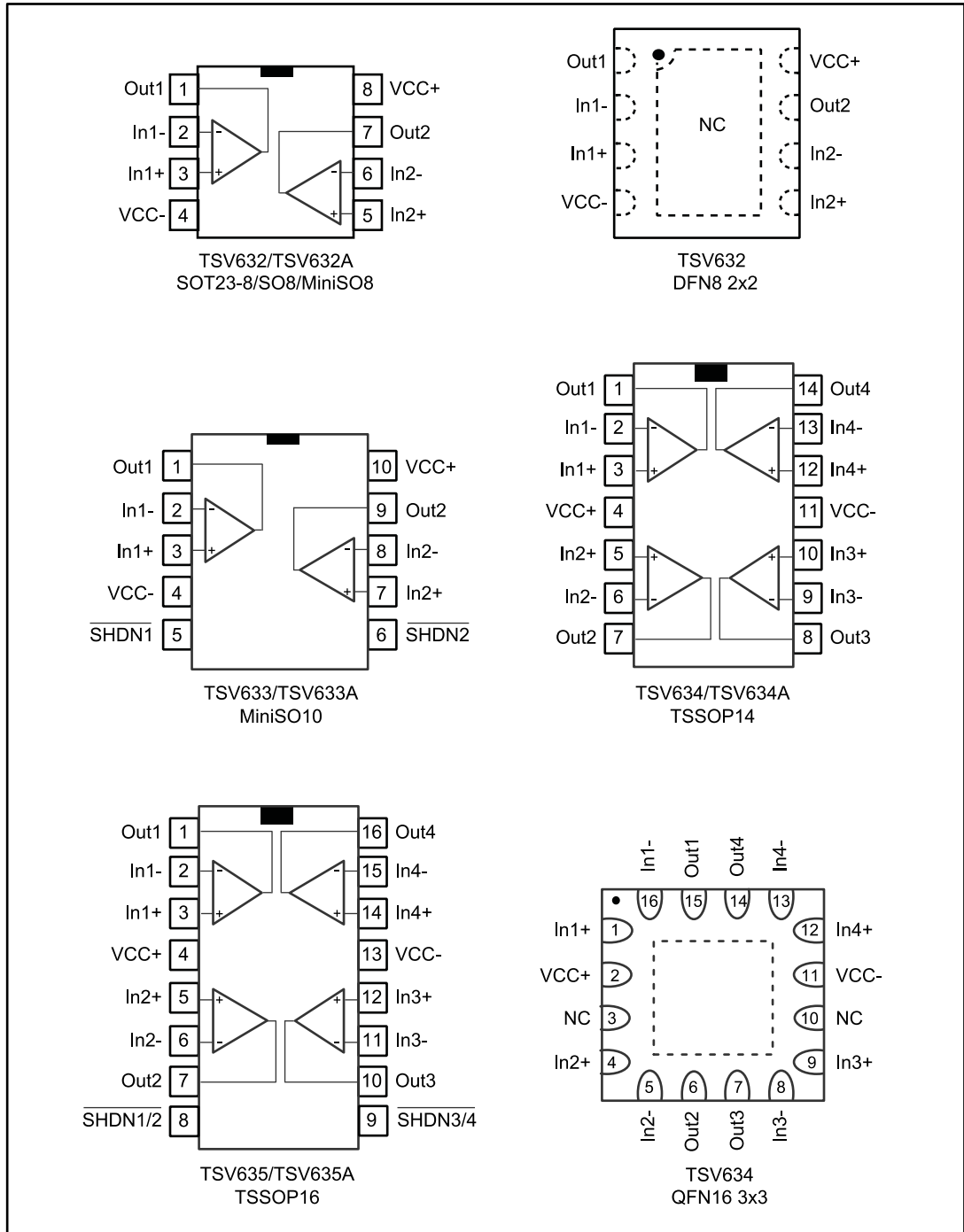
| Reference | Dual version | | Quad version | |
|-----------|-----------------|--------------|-----------------|--------------|
| | Without standby | With standby | Without standby | With standby |
| TSV63x | TSV632 | TSV633 | TSV634 | TSV635 |
| TSV63xA | TSV632A | TSV633A | TSV634A | TSV635A |

Contents

| | | |
|----------|--|-----------|
| 1 | Package pin connections..... | 3 |
| 2 | Absolute maximum ratings and operating conditions | 4 |
| 3 | Electrical characteristics | 6 |
| 4 | Application information | 14 |
| | 4.1 Operating voltages | 14 |
| | 4.2 Rail-to-rail input | 14 |
| | 4.3 Rail-to-rail output..... | 14 |
| | 4.4 Shutdown function (TSV633, TSV635) | 15 |
| | 4.5 Optimization of DC and AC parameters | 16 |
| | 4.6 Driving resistive and capacitive loads | 16 |
| | 4.7 PCB layouts | 16 |
| | 4.8 Macromodel | 17 |
| 5 | Package information | 18 |
| | 5.1 DFN8 2 x 2 (NB) package information | 19 |
| | 5.2 SOT23-8 package information | 21 |
| | 5.3 MiniSO8 package information | 22 |
| | 5.4 MiniSO10 package information | 23 |
| | 5.5 SO8 package information..... | 24 |
| | 5.6 QFN16 3x3 package information..... | 25 |
| | 5.7 TSSOP14 package information..... | 27 |
| | 5.8 TSSOP16 package information..... | 28 |
| 6 | Ordering information..... | 29 |
| 7 | Revision history | 30 |

1 Package pin connections

Figure 1: Pin connections for each package (top view)



- The exposed pads of the DFN8 2x2 and the QFN16 3x3 can be connected to V_{CC-} or left floating.

2 Absolute maximum ratings and operating conditions

Table 2: Absolute maximum ratings (AMR)

| Symbol | Parameter | Value | Unit | |
|----------------------------------|---|--|------|------|
| V _{CC} | Supply voltage ⁽¹⁾ | 6 | V | |
| V _{id} | Differential input voltage ⁽²⁾ | ±V _{CC} | | |
| V _{in} | Input voltage ⁽³⁾ | (V _{CC-}) - 0.2 to (V _{CC+}) + 0.2 | | |
| I _{in} | Input current ⁽⁴⁾ | 10 | mA | |
| $\overline{\text{SHDN}}$ SHDN | Shutdown voltage ⁽³⁾ | (V _{CC-}) - 0.2 to (V _{CC+}) + 0.2 | V | |
| T _{stg} | Storage temperature | -65 to 150 | °C | |
| R _{thja} | Thermal resistance junction to ambient ^(5/6) | DFN8 2x2 | 57 | °C/W |
| | | SOT23-8 | 105 | |
| | | MiniSO8 | 190 | |
| | | MiniSO10 | 113 | |
| | | SO8 | 125 | |
| | | QFN16 3x3 | 39 | |
| | | TSSOP14 | 100 | |
| TSSOP16 | 95 | | | |
| T _j | Maximum junction temperature | 150 | °C | |
| ESD | HBM: human body model ⁽⁷⁾ | 4000 | V | |
| | MM: machine model ⁽⁸⁾ | 300 | | |
| | CDM: charged device model ⁽⁹⁾ | 1500 | | |
| | Latch-up immunity | 200 | mA | |

Notes:

- ⁽¹⁾All voltage values, except the differential voltage are with respect to the network ground terminal.
- ⁽²⁾Differential voltages are the non-inverting input terminal with respect to the inverting input terminal.
- ⁽³⁾V_{CC} - V_{IN} must not exceed 6 V, V_{IN} must not exceed 6 V.
- ⁽⁴⁾Input current must be limited by a resistor in series with the inputs
- ⁽⁵⁾R_{th} are typical values
- ⁽⁶⁾Short-circuits can cause excessive heating and destructive dissipation
- ⁽⁷⁾Human body model: 100 pF discharged through a 1.5 kΩ resistor between two pins of the device, done for all couples of pin combinations with other pins floating.
- ⁽⁸⁾Machine model: a 200 pF cap is charged to the specified voltage, then discharged directly between two pins of the device with no external series resistor (internal resistor < 5 Ω), done for all couples of pin combinations with other pins floating
- ⁽⁹⁾Charged device model: all pins plus package are charged together to the specified voltage and then discharged directly to the ground.

Table 3: Operating conditions

| Symbol | Parameter | Value | Unit |
|-------------------|--------------------------------------|--|------|
| V _{CC} | Supply voltage | 1.5 to 5.5 | V |
| V _{ICM} | Common-mode input voltage range | (V _{CC-}) - 0.1 to (V _{CC+}) + 0.1 | |
| T _{oper} | Operating free-air temperature range | -40 to 125 | °C |

3 Electrical characteristics

Table 4: Electrical characteristics at VCC+ = 1.8 V with VCC- = 0 V, Vicm = VCC/2, Tamb = 25° C, and RL connected to VCC/2 (unless otherwise specified)

| Symbol | Parameter | Conditions | Min. | Typ. | Max. | Unit |
|-----------------------|--|--|------|------|-------------------|---------|
| DC performance | | | | | | |
| V _{io} | Offset voltage | TSV63x | | | 3 | mV |
| | | TSV63xA | | | 0.8 | |
| | | TSV633AIST (MiniSO10) | | | 1 | |
| | | T _{min} < T _{op} < T _{max} - TSV63x | | | 4.5 | |
| | | T _{min} < T _{op} < T _{max} - TSV63xA | | | 2 | |
| | | T _{min} < T _{op} < T _{max} - TSV633AIST | | | 2.2 | |
| ΔV _{io} /ΔT | Input offset voltage drift | | | 2 | | μV/°C |
| I _{io} | Input offset current | (V _{out} = V _{CC} /2) | | 1 | 10 ⁽¹⁾ | pA |
| | | T _{min} < T _{op} < T _{max} | | 1 | 100 | |
| I _{ib} | Input bias current | (V _{out} = V _{CC} /2) | | 1 | 10 ⁽¹⁾ | pA |
| | | T _{min} < T _{op} < T _{max} | | 1 | 100 | |
| CMR | Common mode rejection ratio 20 log (ΔV _{ic} /ΔV _{io}) | 0 V to 1.8 V, V _{out} = 0.9 V | 53 | 74 | | dB |
| | | T _{min} < T _{op} < T _{max} | 51 | | | |
| A _{vd} | Large signal voltage gain | R _L = 10 kΩ, V _{out} = 0.5 V to 1.3 V | 85 | 95 | | dB |
| | | T _{min} < T _{op} < T _{max} | 80 | | | |
| V _{OH} | High level output voltage, (V _{OH} = V _{CC} - V _{out}) | R _L = 10 kΩ | | 5 | 35 | mV |
| | | T _{min} < T _{op} < T _{max} | | | 50 | |
| V _{OL} | Low level output voltage | R _L = 10 kΩ | | 4 | 35 | mV |
| | | T _{min} < T _{op} < T _{max} | | | 50 | |
| I _{out} | I _{sink} | V _o = 1.8 V | 6 | 12 | | mA |
| | | T _{min} < T _{op} < T _{max} | 4 | | | |
| | I _{source} | V _o = 0 V | 6 | 10 | | |
| | | T _{min} < T _{op} < T _{max} | 4 | | | |
| I _{CC} | Supply current (per channel) | No load, V _{out} = V _{CC} /2 | 40 | 50 | 60 | μA |
| | | T _{min} < T _{op} < T _{max} | | | 62 | |
| AC performance | | | | | | |
| GBP | Gain bandwidth product | R _L = 2 kΩ, C _L = 100 pF, f = 100 kHz | 700 | 790 | | kHz |
| φ _m | Phase margin | R _L = 2 kΩ, C _L = 100 pF | | 45 | | Degrees |
| G _m | Gain margin | R _L = 2 kΩ, C _L = 100 pF | | 13 | | dB |
| SR | Slew rate | R _L = 2 kΩ, C _L = 100 pF, A _v = 1 | 0.2 | 0.27 | | V/μs |
| e _n | Equivalent input noise voltage | f = 1 kHz | | 60 | | nV/√Hz |
| | | f = 10 kHz | | 33 | | |

Notes:

⁽¹⁾Guaranteed by design



Table 5: Shutdown characteristics VCC = 1.8 V

| Symbol | Parameter | Conditions | Min. | Typ. | Max. | Unit |
|-----------------------|--|--|------|------|------|------|
| DC performance | | | | | | |
| I _{CC} | Supply current in shutdown mode (all channels) | $\overline{\text{SHDN}} = V_{CC-}$ | | 2.5 | 50 | nA |
| | | T _{min} < T _{op} < 85° C | | | 200 | |
| | | T _{min} < T _{op} < 125° C | | | | 1.5 |
| t _{on} | Amplifier turn-on time | R _L = 2 kΩ, V _{out} = (V _{CC-}) to (V _{CC-}) + 0.2 V | | 200 | | ns |
| t _{off} | Amplifier turn-off time | R _L = 2 kΩ, V _{out} = (V _{CC+}) - 0.5 V to (V _{CC+}) - 0.7 V | | 20 | | |
| V _{IH} | $\overline{\text{SHDN}}$ logic high | | 1.35 | | | V |
| V _{IL} | $\overline{\text{SHDN}}$ logic low | | | | 0.6 | |
| I _{IH} | $\overline{\text{SHDN}}$ current high | $\overline{\text{SHDN}} = V_{CC+}$ | | 10 | | pA |
| I _{IL} | $\overline{\text{SHDN}}$ current low | $\overline{\text{SHDN}} = V_{CC-}$ | | 10 | | |
| I _{OLeak} | Output leakage in shutdown mode | $\overline{\text{SHDN}} = V_{CC-}$ | | 50 | | |
| | | T _{min} < T _{op} < 125° C | | 1 | | nA |

Table 6: VCC+ = 3.3 V, VCC- = 0 V, Vicm = VCC/2, Tamb = 25° C, RL connected to VCC/2 (unless otherwise specified)

| Symbol | Parameter | Conditions | Min. | Typ. | Max. | Unit |
|-----------------------|--|--|------|------|-------------------|---------|
| DC performance | | | | | | |
| V _{io} | Offset voltage | TSV63x | | | 3 | mV |
| | | TSV63xA | | | 0.8 | |
| | | TSV633AIST (MiniSO10) | | | 1 | |
| | | T _{min} < T _{op} < T _{max} - TSV63x | | | 4.5 | |
| | | T _{min} < T _{op} < T _{max} - TSV63xA | | | 2 | |
| | | T _{min} < T _{op} < T _{max} - TSV633AIST | | | 2.2 | |
| ΔV _{io} /ΔT | Input offset voltage drift | | | 2 | | μV/°C |
| I _{io} | Input offset current | V _{out} = V _{CC} /2 | | 1 | 10 ⁽¹⁾ | pA |
| | | T _{min} < T _{op} < T _{max} | | 1 | 100 | |
| I _{ib} | Input bias current | V _{out} = V _{CC} /2 | | 1 | 10 ⁽¹⁾ | pA |
| | | T _{min} < T _{op} < T _{max} | | 1 | 100 | |
| CMR | Common mode rejection ratio 20 log (ΔV _{ic} /ΔV _{io}) | 0 V to 3.3 V, V _{out} = 1.65 V | 57 | 79 | | dB |
| | | T _{min} < T _{op} < T _{max} | 53 | | | |
| A _{vd} | Large signal voltage gain | R _L = 10 kΩ, V _{out} = 0.5 V to 2.8 V | 88 | 98 | | dB |
| | | T _{min} < T _{op} < T _{max} | 83 | | | |
| V _{OH} | High level output voltage, (V _{OH} = V _{CC} - V _{out}) | R _L = 10 kΩ | | 5 | 35 | mV |
| | | T _{min} < T _{op} < T _{max} | | | 50 | |
| V _{OL} | Low level output voltage | R _L = 10 kΩ | | 4 | 35 | mV |
| | | T _{min} < T _{op} < T _{max} | | | 50 | |
| I _{out} | I _{sink} | V _o = 3.3 V | 23 | 45 | | mA |
| | | T _{min} < T _{op} < T _{max} | 20 | | | |
| | I _{source} | V _o = 0 V | 23 | 38 | | |
| | | T _{min} < T _{op} < T _{max} | 20 | | | |
| I _{CC} | Supply current, (per channel) | No load, V _{out} = 1.75 V | 43 | 55 | 64 | μA |
| | | T _{min} < T _{op} < T _{max} | | | 66 | |
| AC performance | | | | | | |
| GBP | Gain bandwidth product | R _L = 2 kΩ, C _L = 100 pF, f = 100 kHz | 710 | 860 | | kHz |
| φ _m | Phase margin | R _L = 2 kΩ, C _L = 100 pF | | 46 | | Degrees |
| G _m | Gain margin | R _L = 2 kΩ, C _L = 100 pF | | 13 | | dB |
| SR | Slew rate | R _L = 2 kΩ, C _L = 100 pF, A _V = 1 | 0.22 | 0.29 | | V/μs |

Notes:

⁽¹⁾Guaranteed by design

Table 7: Electrical characteristics at VCC+ = 5 V with VCC- = 0 V, Vicm = VCC/2, Tamb = 25° C, and RL connected to VCC/2 (unless otherwise specified)

| Symbol | Parameter | Conditions | Min. | Typ. | Max. | Unit |
|-----------------------|--|--|------|------|-------------------|---------|
| DC performance | | | | | | |
| V _{io} | Offset voltages | TSV63x | | | 3 | mV |
| | | TSV63xA | | | 0.8 | |
| | | TSV633AIST (MiniSO10) | | | 1 | |
| | | T _{min} < T _{op} < T _{max} - TSV63x | | | 4.5 | |
| | | T _{min} < T _{op} < T _{max} - TSV63xA | | | 2 | |
| | | T _{min} < T _{op} < T _{max} - TSV633AIST | | | 2.2 | |
| ΔV _{io} /ΔT | Input offset voltage drift | | | 2 | | μV/°C |
| I _{io} | Input offset current | (V _{out} = V _{CC} /2) | | 1 | 10 ⁽¹⁾ | pA |
| | | T _{min} < T _{op} < T _{max} | | 1 | 100 | |
| I _{ib} | Input bias current | (V _{out} = V _{CC} /2) | | 1 | 10 ⁽¹⁾ | pA |
| | | T _{min} < T _{op} < T _{max} | | 1 | 100 | |
| CMR | Common mode rejection ratio 20 log (ΔV _{ic} /ΔV _{io}) | 0 V to 5 V, V _{out} = 2.5 V | 60 | 80 | | dB |
| | | T _{min} < T _{op} < T _{max} | 55 | | | |
| SVR | Supply voltage rejection ratio 20 log (ΔV _{CC} /ΔV _{io}) | V _{CC} = 1.8 to 5 V | 75 | 102 | | dB |
| | | T _{min} < T _{op} < T _{max} | 73 | | | |
| A _{vd} | Large signal voltage gain | R _L = 10 kΩ, V _{out} = 0.5 V to 4.5 V | 89 | 98 | | dB |
| | | T _{min} < T _{op} < T _{max} | 84 | | | |
| EMIRR | EMI rejection ratio, EMIRR = -20 log (V _{RFpeak} /ΔV _{io}) | V _{RF} = 100 mV _{rms} , f = 400 MHz | | 61 | | dB |
| | | V _{RF} = 100 mV _{rms} , f = 900 MHz | | 85 | | |
| | | V _{RF} = 100 mV _{rms} , f = 1800 MHz | | 92 | | |
| | | V _{RF} = 100 mV _{rms} , f = 2400 MHz | | 83 | | |
| V _{OH} | High level output voltage, (V _{OH} = V _{CC} - V _{out}) | R _L = 10 kΩ | | 7 | 35 | mV |
| | | T _{min} < T _{op} < T _{max} | | | 50 | |
| V _{OL} | Low level output voltage | R _L = 10 kΩ | | 6 | 35 | mV |
| | | T _{min} < T _{op} < T _{max} | | | 50 | |
| I _{out} | I _{sink} | V _o = 5 V | 40 | 69 | | mA |
| | | T _{min} < T _{op} < T _{max} | 35 | | | |
| | I _{source} | V _o = 0 V | 40 | 74 | | |
| | | T _{min} < T _{op} < T _{max} | 35 | | | |
| I _{CC} | Supply current, (per channel) | No load, V _{out} = V _{CC} /2 | 50 | 60 | 69 | μA |
| | | T _{min} < T _{op} < T _{max} | | | 72 | |
| AC performance | | | | | | |
| GBP | Gain bandwidth product | R _L = 2 kΩ, C _L = 100 pF, f = 100 kHz | 730 | 880 | | kHz |
| F _u | Unity gain frequency | R _L = 2 kΩ, C _L = 100 pF | | 830 | | |
| φ _m | Phase margin | R _L = 2 kΩ, C _L = 100 pF | | 48 | | Degrees |

Electrical characteristics

TSV632, TSV632A, TSV633, TSV633A, TSV634, TSV634A, TSV635, TSV635A

| Symbol | Parameter | Conditions | Min. | Typ. | Max. | Unit |
|------------|-----------------------------------|--|------|-------|------|------------------------|
| G_m | Gain margin | $R_L = 2\text{ k}\Omega, C_L = 100\text{ pF}$ | | 13 | | dB |
| SR | Slew rate | $R_L = 2\text{ k}\Omega, C_L = 100\text{ pF}, A_v = 1$ | 0.25 | 0.34 | | V/ μ s |
| e_n | Equivalent input noise voltage | $f = 1\text{ kHz}$ | | 60 | | nV/ $\sqrt{\text{Hz}}$ |
| | | $f = 10\text{ kHz}$ | | 33 | | |
| THD+ e_n | Total harmonic distortion + noise | $V_{CC} = 5\text{V}, f = 1\text{ kHz}, A_v = 1, R_L = 100\text{ k}\Omega, V_{icm} = V_{CC}/2, V_{out} = 2V_{pp}$ | | 0.002 | | % |

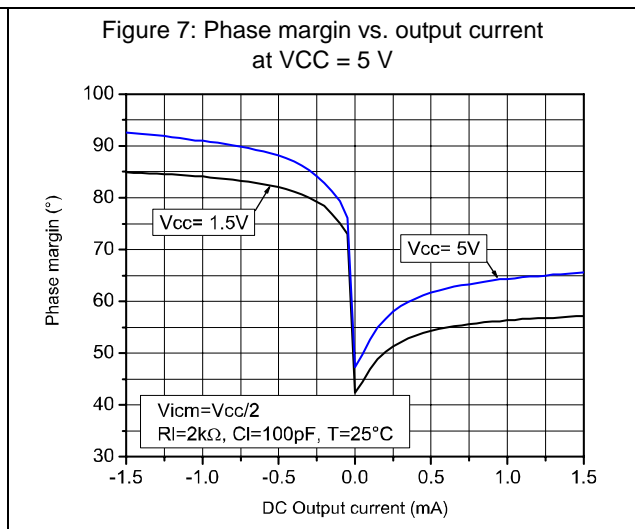
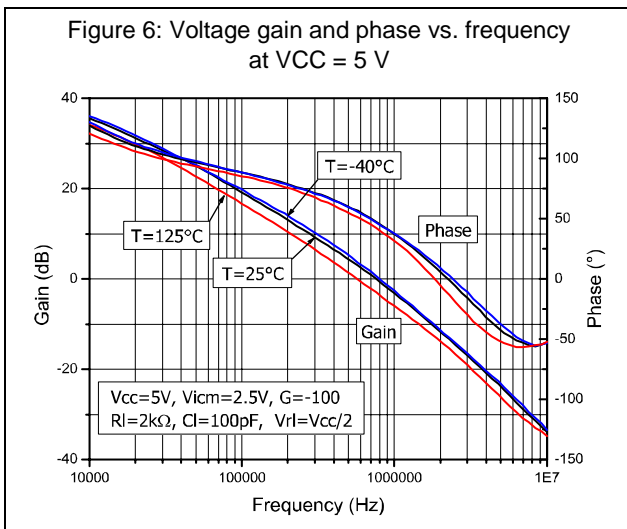
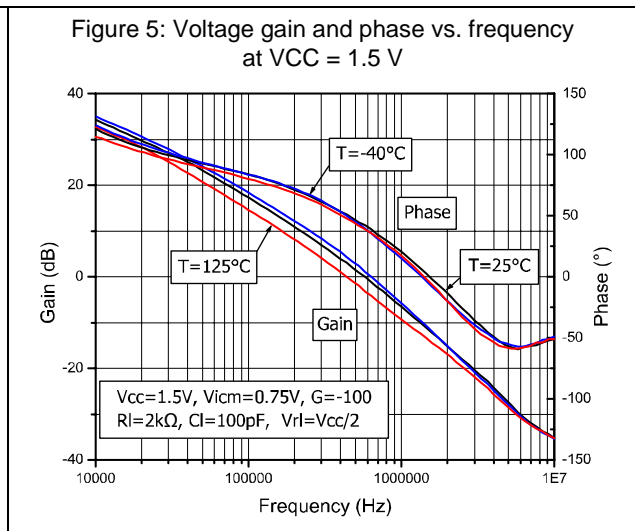
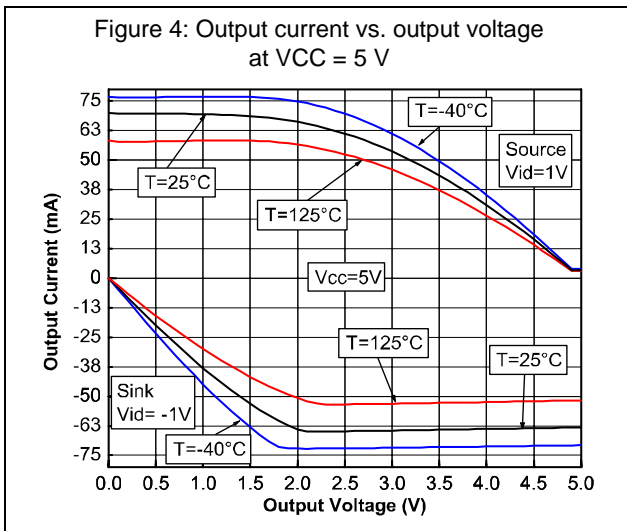
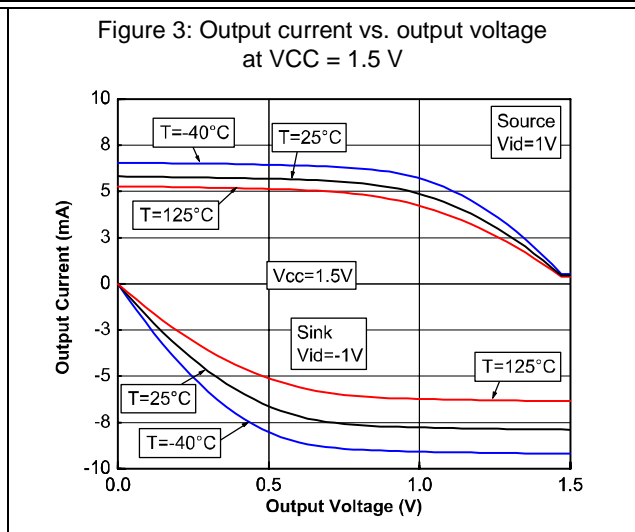
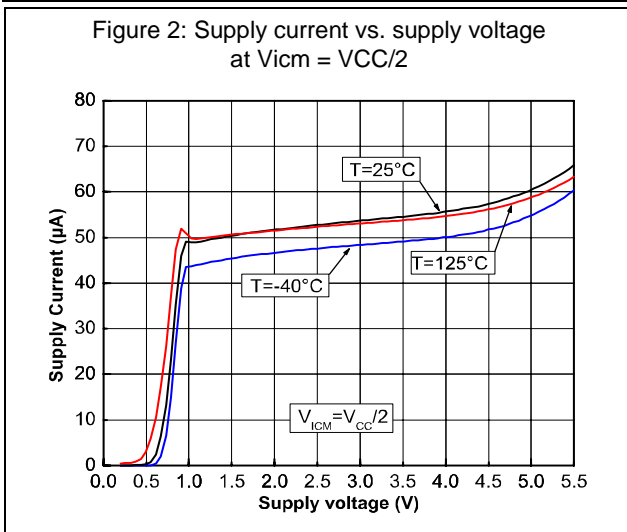
Notes:

(1) Guaranteed by design

Table 8: Shutdown characteristics at $V_{CC} = 5\text{ V}$

| Symbol | Parameter | Conditions | Min. | Typ. | Max. | Unit |
|-----------------------|--|---|------|------|------|------|
| DC performance | | | | | | |
| I_{CC} | Supply current in shutdown mode (all channels) | $\overline{\text{SHDN}} = V_{CC-}$ | | 5 | 50 | nA |
| | | $T_{min} < T_{op} < 85^\circ\text{ C}$ | | | 200 | |
| | | $T_{min} < T_{op} < 125^\circ\text{ C}$ | | | | 1.5 |
| t_{on} | Amplifier turn-on time | $R_L = 2\text{ k}\Omega, V_{out} = (V_{CC-})\text{ to } (V_{CC-}) + 0.2\text{ V}$ | | 200 | | ns |
| t_{off} | Amplifier turn-off time | $R_L = 2\text{ k}\Omega, V_{out} = (V_{CC+}) - 0.5\text{ V to } (V_{CC+}) - 0.7\text{ V}$ | | 20 | | |
| V_{IH} | $\overline{\text{SHDN}}$ logic high | | 2 | | | V |
| V_{IL} | $\overline{\text{SHDN}}$ logic low | | | | 0.8 | |
| I_{IH} | $\overline{\text{SHDN}}$ current high | $\overline{\text{SHDN}} = V_{CC+}$ | | 10 | | pA |
| I_{IL} | $\overline{\text{SHDN}}$ current low | $\overline{\text{SHDN}} = V_{CC-}$ | | 10 | | |
| I_{OLeak} | Output leakage in shutdown mode | $\overline{\text{SHDN}} = V_{CC-}$ | | 50 | | |
| | | $T_{min} < T_{op} < 125^\circ\text{ C}$ | | 1 | | nA |





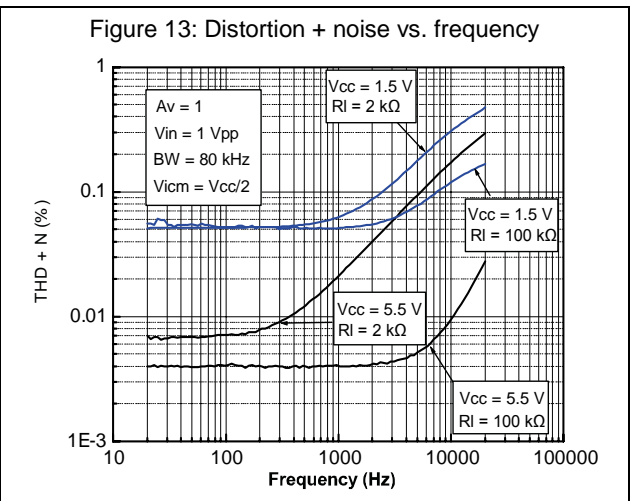
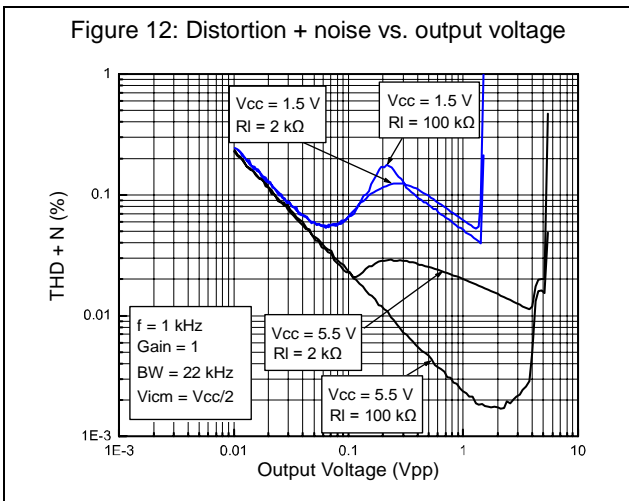
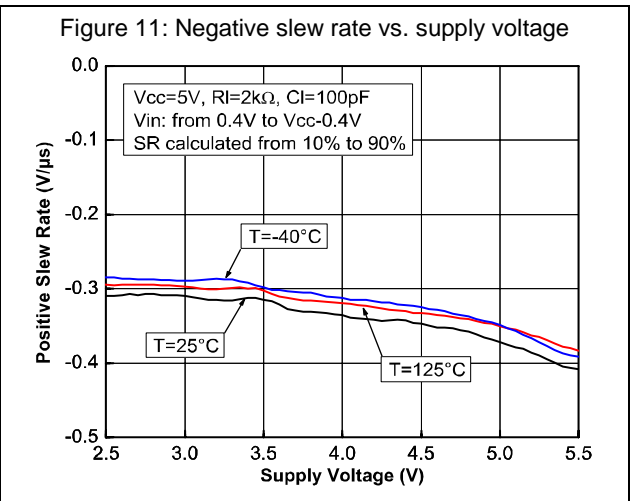
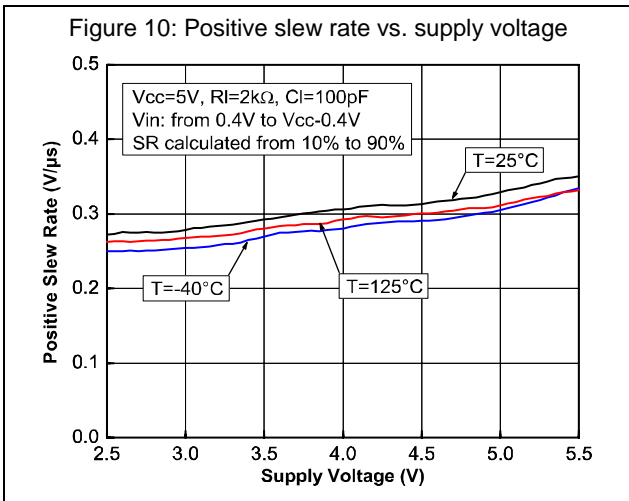
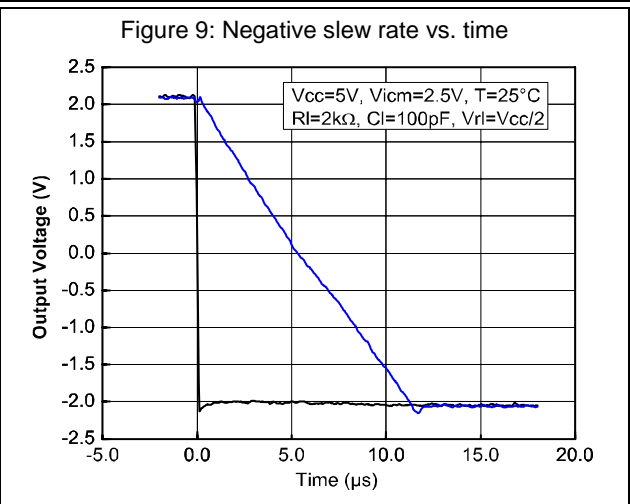
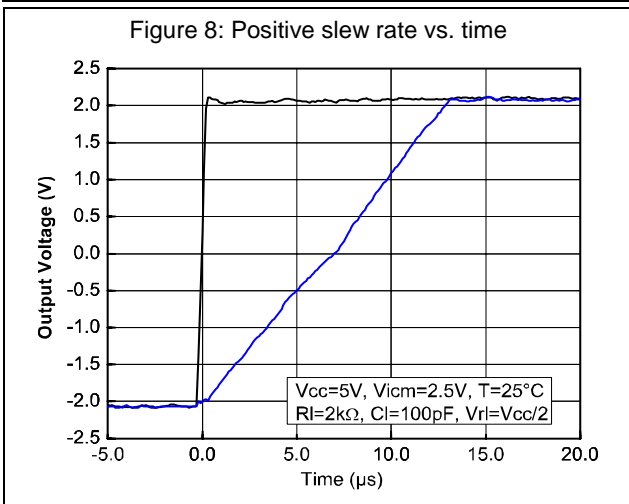


Figure 14: Noise vs. frequency

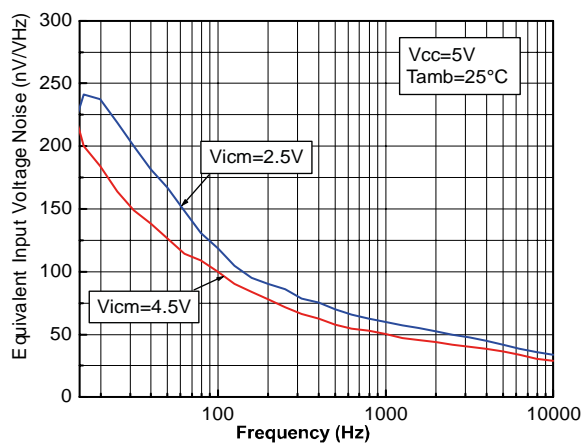
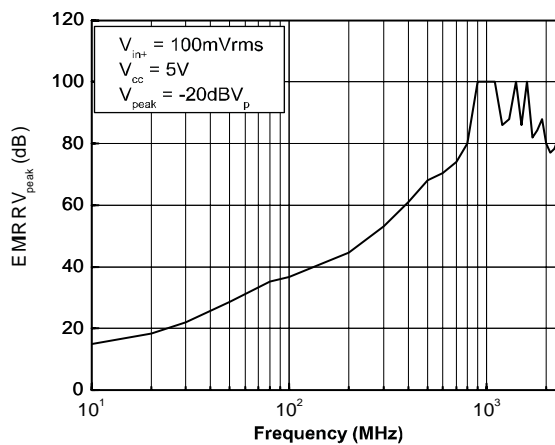


Figure 15: EMIRR vs. frequency at VCC = 5 V,
T = 25 °C



4 Application information

4.1 Operating voltages

The TSV63x and TSV63xA can operate from 1.5 to 5.5 V. Their parameters are fully specified for 1.8 V, 3.3 V, and 5 V power supplies. However, the parameters are very stable in the full V_{CC} range and several characterization curves show the TSV63x and TSV63xA characteristics at 1.5 V. Additionally, the main specifications are guaranteed in extended temperature ranges from $-40\text{ }^{\circ}\text{C}$ to $125\text{ }^{\circ}\text{C}$.

4.2 Rail-to-rail input

The TSV63x and TSV63xA are built with two complementary PMOS and NMOS input differential pairs. The devices have a rail-to-rail input and the input common mode range is extended from $(V_{CC-}) - 0.1\text{ V}$ to $(V_{CC+}) + 0.1\text{ V}$. The transition between the two pairs appears at $(V_{CC+}) - 0.7\text{ V}$. In the transition region, the performance of CMRR, PSRR, V_{io} (Figure 16 and Figure 17), and THD is slightly degraded.

Figure 16: Input offset voltage vs input common mode voltage at $V_{CC} = 1.5\text{ V}$

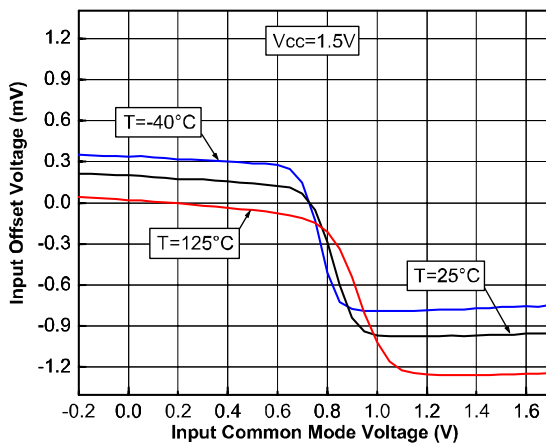
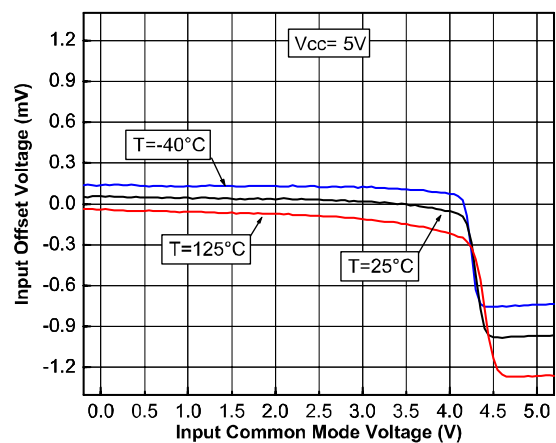


Figure 17: Input offset voltage vs input common mode voltage at $V_{CC} = 5\text{ V}$



The devices are guaranteed without phase reversal.

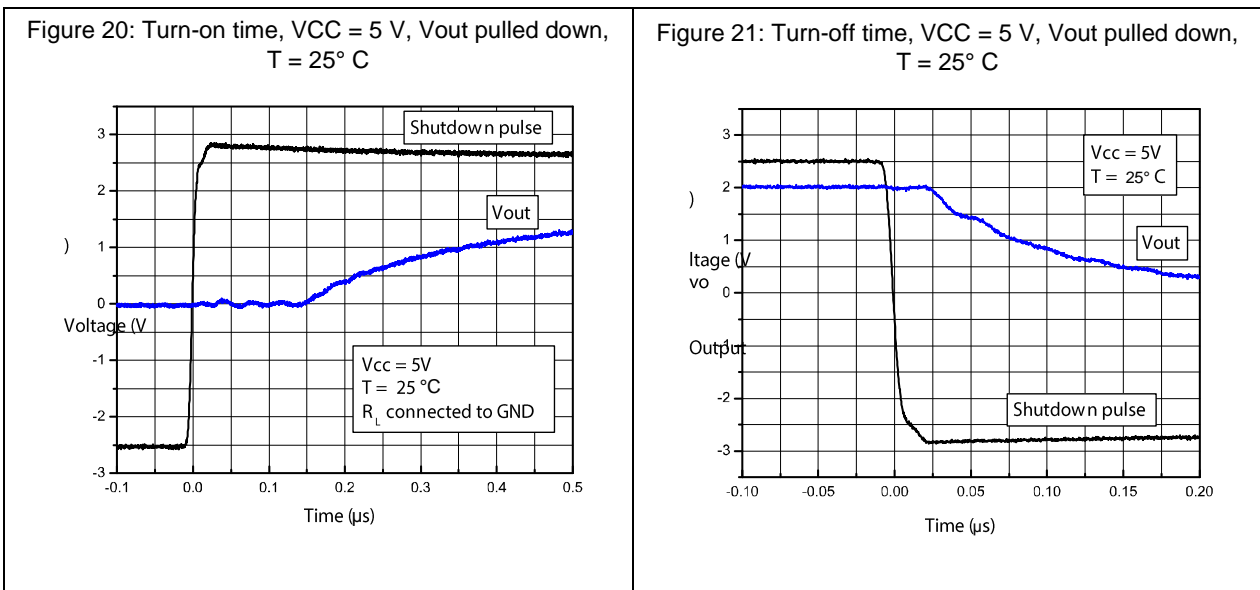
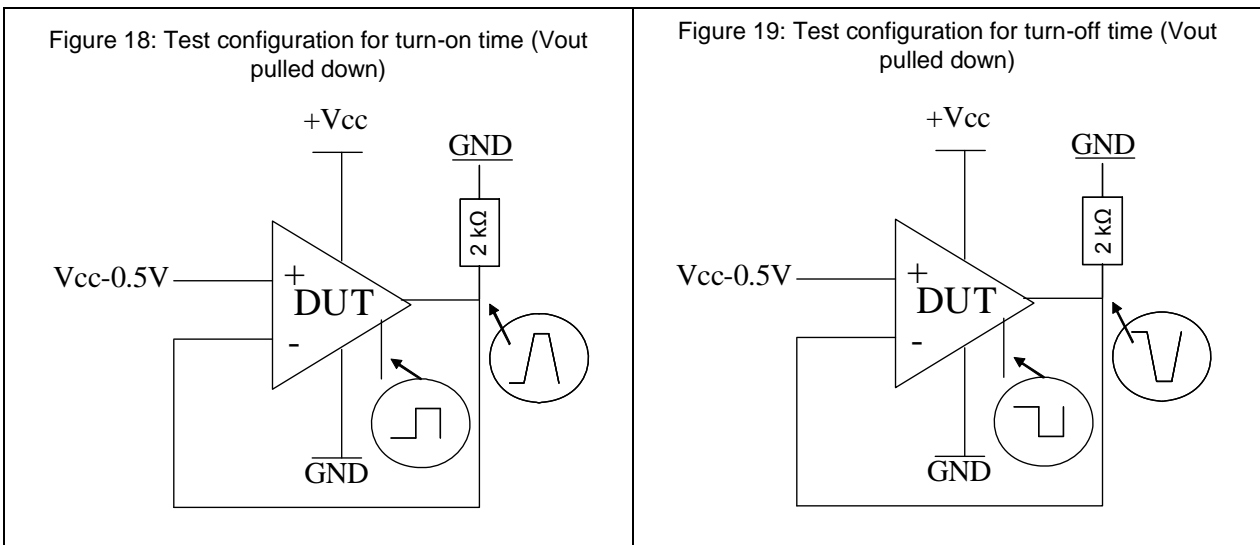
4.3 Rail-to-rail output

The operational amplifiers' output levels can go close to the rails: 35 mV maximum above and below the rail when connected to a $10\text{ k}\Omega$ resistive load to $V_{CC}/2$.

4.4 Shutdown function (TSV633, TSV635)

The operational amplifiers are enabled when the $\overline{\text{SHDN}}$ pin is pulled high. To disable the amplifiers, the $\overline{\text{SHDN}}$ must be pulled down to V_{CC-} . When in shutdown mode, the amplifiers' output is in a high impedance state. The $\overline{\text{SHDN}}$ pin must never be left floating, but tied to V_{CC+} or V_{CC-} .

The turn-on and turn-off times are calculated for an output variation of ± 200 mV. *Figure 18* and *Figure 19* show the test configurations. *Figure 20* shows the time it takes the product to come out of shutdown mode and *Figure 21* shows the time it takes the product to enter shutdown mode.



4.5 Optimization of DC and AC parameters

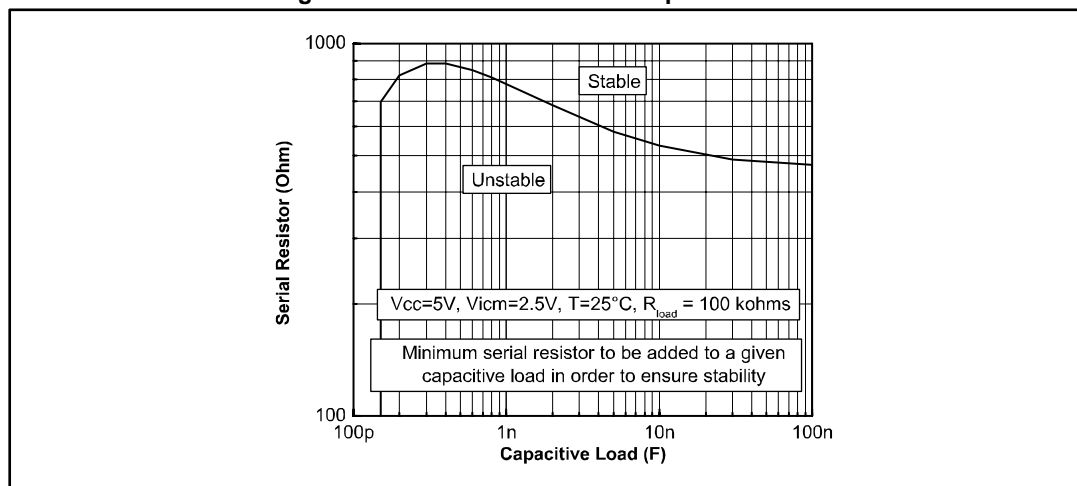
These devices use an innovative approach to reduce the spread of the main DC and AC parameters. An internal adjustment achieves a very narrow spread of the current consumption (60 μA typical, min/max at $\pm 17\%$). Parameters linked to the current consumption value, such as GBP, SR, and A_{vd} , benefit from this narrow dispersion. All parts present a similar speed and the same behavior in terms of stability. In addition, the minimum values of GBP and SR are guaranteed (GBP = 730 kHz minimum and SR = 0.25 V/ μs minimum).

4.6 Driving resistive and capacitive loads

These products are micropower, low-voltage, operational amplifiers optimized to drive rather large resistive loads, above 2 k Ω . For lower resistive loads, the THD level may significantly increase.

In a *follower* configuration, these operational amplifiers can drive capacitive loads up to 100 pF with no oscillations. When driving larger capacitive loads, adding an in-series resistor at the output can improve the stability of the devices (see [Figure 22](#) for recommended in-series resistor values). Once the in-series resistor value has been selected, the stability of the circuit should be tested on the bench and simulated with the simulation model.

Figure 22: In-series resistor vs. capacitive load



4.7 PCB layouts

For correct operation, it is advised to add 10 nF decoupling capacitors as close as possible to the power supply pins.

4.8 Macromodel

Two accurate macromodels (with or without the shutdown feature) of the TSV63x and TSV63xA are available on STMicroelectronics' web site at www.st.com. These models are a trade-off between accuracy and complexity (that is, time simulation) of the TSV63x and TSV63xA operational amplifiers. They emulate the nominal performances of a typical device within the specified operating conditions mentioned in the datasheet. They also help to validate a design approach and to select the right operational amplifier, *but they do not replace on-board measurements*.

5 Package information

In order to meet environmental requirements, ST offers these devices in different grades of ECOPACK[®] packages, depending on their level of environmental compliance. ECOPACK[®] specifications, grade definitions and product status are available at: www.st.com. ECOPACK[®] is an ST trademark.

5.1 DFN8 2 x 2 (NB) package information

Figure 23: DFN8 2 x 2 mm (NB) package outline

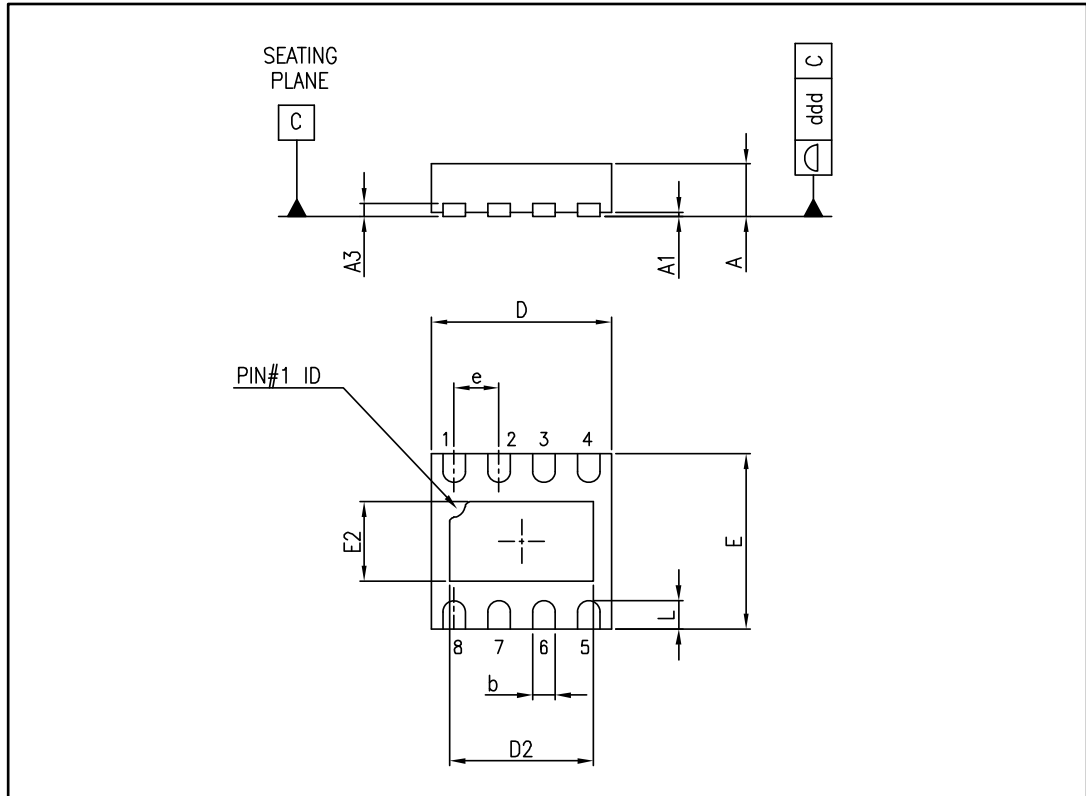
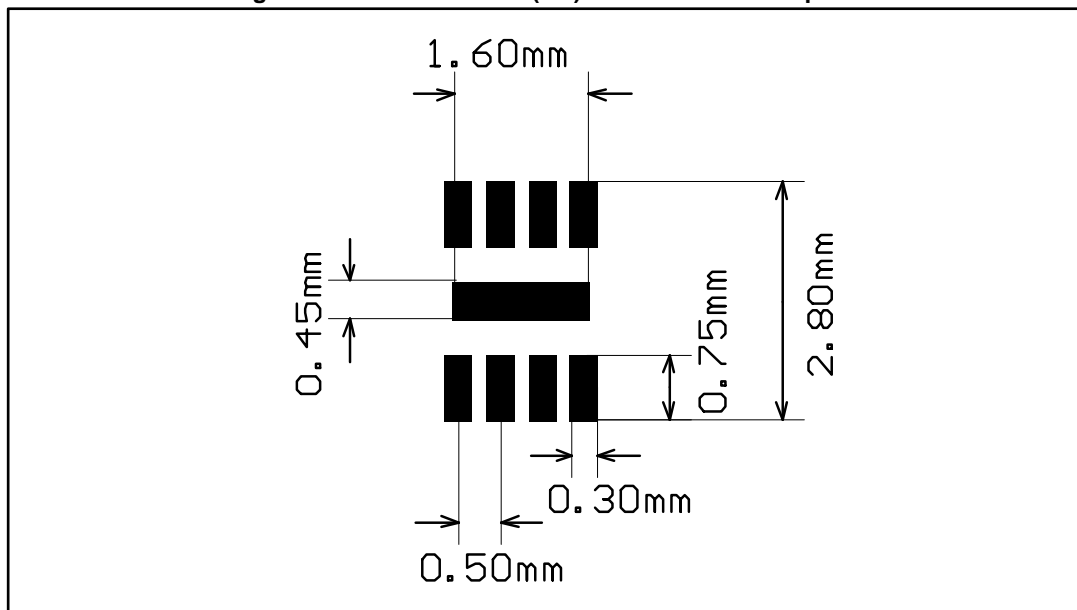


Table 9: DFN8 2 x 2 x 0.6 mm (NB) package mechanical data (pitch 0.5 mm)

| Ref. | Dimensions | | | | | |
|------|-------------|------|-------|--------|-------|-------|
| | Millimeters | | | Inches | | |
| | Min. | Typ. | Max. | Min. | Typ. | Max. |
| A | 0.51 | 0.55 | 0.60 | 0.020 | 0.022 | 0.024 |
| A1 | | | 0.05 | | | 0.002 |
| A3 | | 0.15 | | | 0.006 | |
| b | 0.18 | 0.25 | 0.30 | 0.007 | 0.010 | 0.012 |
| D | 1.85 | 2.00 | 2.15 | 0.073 | 0.079 | 0.085 |
| D2 | 1.45 | 1.60 | 1.70 | 0.057 | 0.063 | 0.067 |
| E | 1.85 | 2.00 | 2.15 | 0.073 | 0.079 | 0.085 |
| E2 | 0.75 | 0.90 | 1.00 | 0.030 | 0.035 | 0.039 |
| e | | 0.50 | | | 0.020 | |
| L | | | 0.425 | | | 0.017 |
| ddd | | | 0.08 | | | 0.003 |

Figure 24: DFN8 2 x 2 mm (NB) recommended footprint



5.2 SOT23-8 package information

Figure 25: SOT23-8 package outline

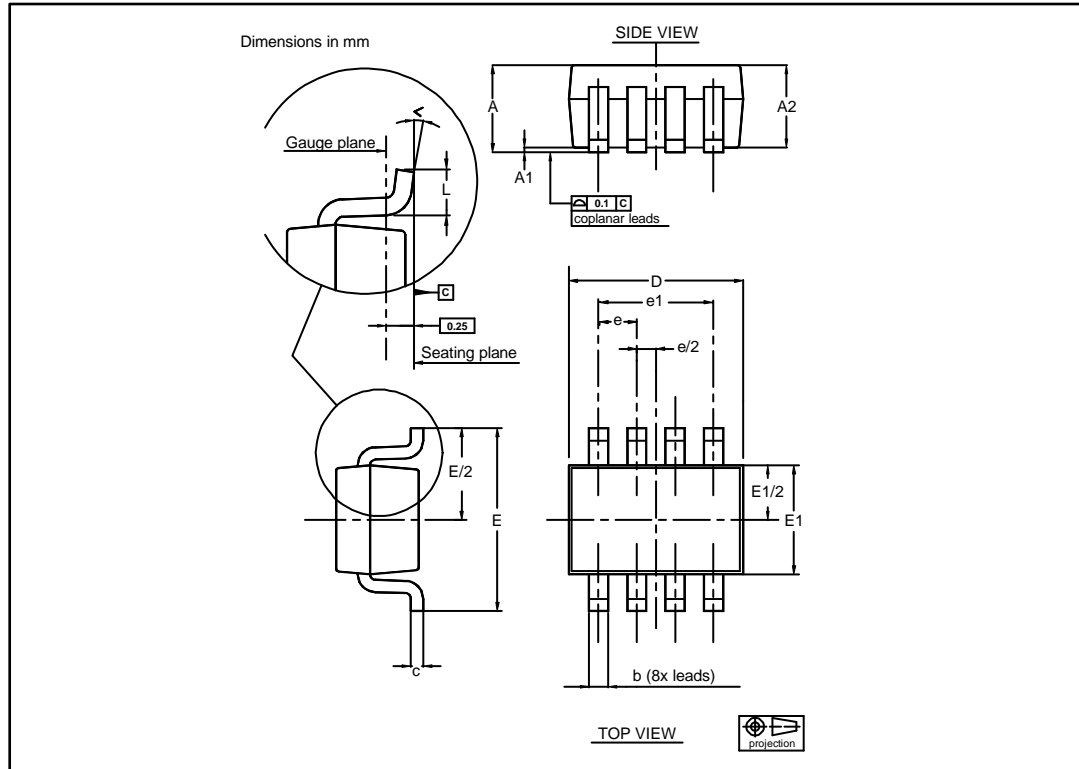


Table 10: SOT23-8 package mechanical data

| Ref. | Dimensions | | | | | |
|------|-------------|------|------|--------|-------|-------|
| | Millimeters | | | Inches | | |
| | Min. | Typ. | Max. | Min. | Typ. | Max. |
| A | | | 1.45 | | | 0.057 |
| A1 | | | 0.15 | | | 0.006 |
| A2 | 0.90 | | 1.30 | 0.035 | | 0.051 |
| b | 0.22 | | 0.38 | 0.009 | | 0.015 |
| c | 0.08 | | 0.22 | 0.003 | | 0.009 |
| D | 2.80 | | 3.00 | 0.110 | | 0.118 |
| E | 2.60 | | 3.00 | 0.102 | | 0.118 |
| E1 | 1.50 | | 1.75 | 0.059 | | 0.069 |
| e | | 0.65 | | | 0.026 | |
| e1 | | 1.95 | | | 0.077 | |
| L | 0.30 | | 0.60 | 0.012 | | 0.024 |
| < | 0° | | 8° | 0° | | 8° |

5.3 MiniSO8 package information

Figure 26: MiniSO8 package outline

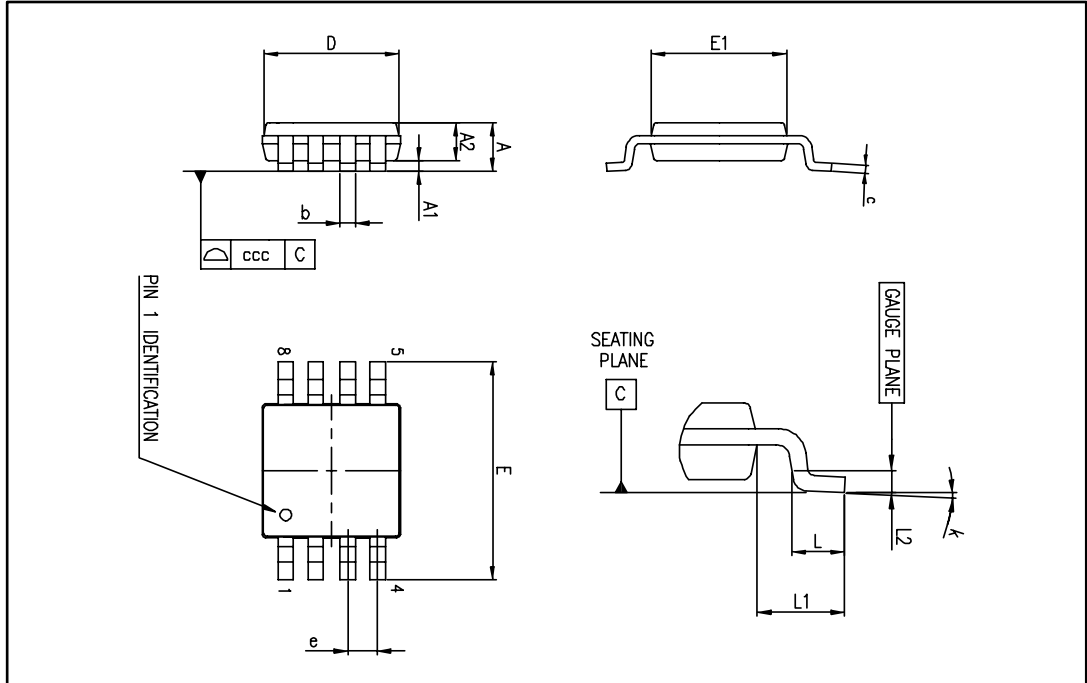


Table 11: MiniSO8 package mechanical data

| Ref. | Dimensions | | | | | |
|------|-------------|------|------|--------|-------|-------|
| | Millimeters | | | Inches | | |
| | Min. | Typ. | Max. | Min. | Typ. | Max. |
| A | | | 1.1 | | | 0.043 |
| A1 | 0 | | 0.15 | 0 | | 0.006 |
| A2 | 0.75 | 0.85 | 0.95 | 0.030 | 0.033 | 0.037 |
| b | 0.22 | | 0.40 | 0.009 | | 0.016 |
| c | 0.08 | | 0.23 | 0.003 | | 0.009 |
| D | 2.80 | 3.00 | 3.20 | 0.11 | 0.118 | 0.126 |
| E | 4.65 | 4.90 | 5.15 | 0.183 | 0.193 | 0.203 |
| E1 | 2.80 | 3.00 | 3.10 | 0.11 | 0.118 | 0.122 |
| e | | 0.65 | | | 0.026 | |
| L | 0.40 | 0.60 | 0.80 | 0.016 | 0.024 | 0.031 |
| L1 | | 0.95 | | | 0.037 | |
| L2 | | 0.25 | | | 0.010 | |
| k | 0° | | 8° | 0° | | 8° |
| ccc | | | 0.10 | | | 0.004 |

5.4 MiniSO10 package information

Figure 27: MiniSO10 package outline

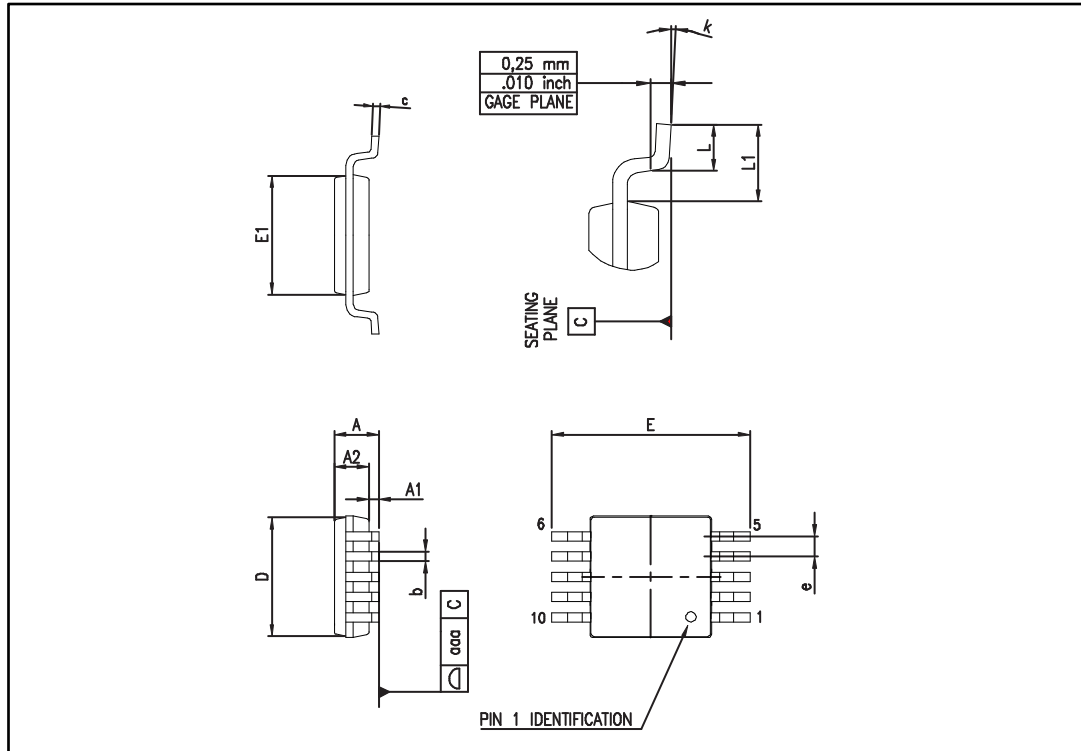


Table 12: MiniSO-10 package mechanical data

| Ref. | Dimensions | | | | | |
|------|-------------|------|------|--------|-------|-------|
| | Millimeters | | | Inches | | |
| | Min. | Typ. | Max. | Min. | Typ. | Max. |
| A | | | 1.10 | | | 0.043 |
| A1 | 0.05 | 0.10 | 0.15 | 0.002 | 0.004 | 0.006 |
| A2 | 0.78 | 0.86 | 0.94 | 0.031 | 0.034 | 0.037 |
| b | 0.25 | 0.33 | 0.40 | 0.010 | 0.013 | 0.016 |
| c | 0.15 | 0.23 | 0.30 | 0.006 | 0.009 | 0.012 |
| D | 2.90 | 3.00 | 3.10 | 0.114 | 0.118 | 0.122 |
| E | 4.75 | 4.90 | 5.05 | 0.187 | 0.193 | 0.199 |
| E1 | 2.90 | 3.00 | 3.10 | 0.114 | 0.118 | 0.122 |
| e | | 0.50 | | | 0.020 | |
| L | 0.40 | 0.55 | 0.70 | 0.016 | 0.022 | 0.028 |
| L1 | | 0.95 | | | 0.037 | |
| k | 0° | 3° | 6° | 0° | 3° | 6° |
| aaa | | | 0.10 | | | 0.004 |

5.5 SO8 package information

Figure 28: SO8 package outline

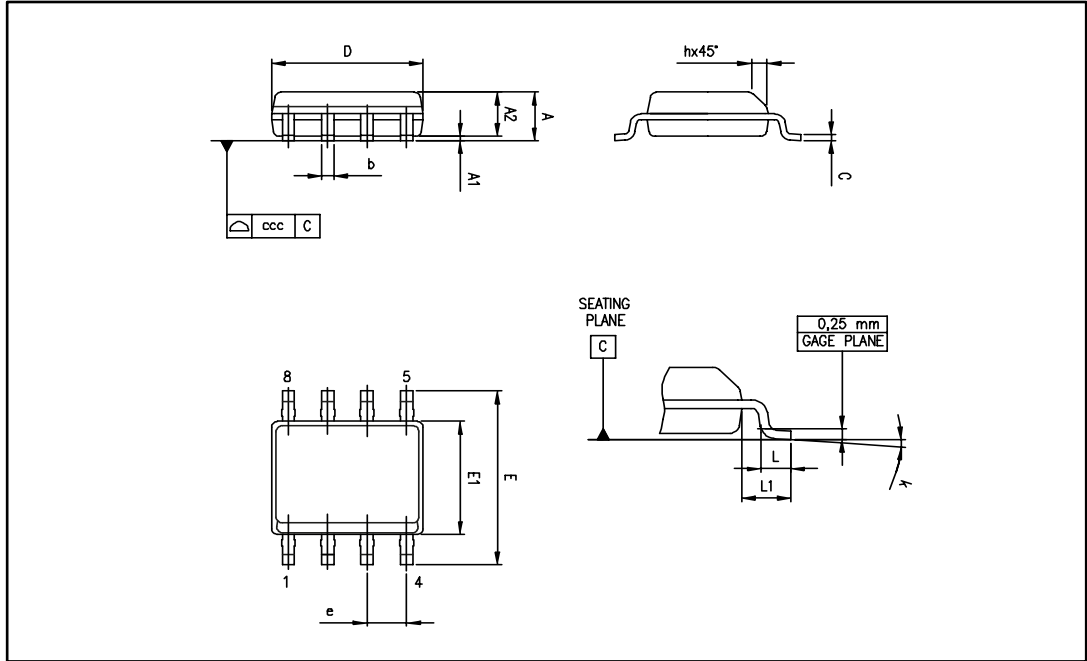


Table 13: SO8 package mechanical data

| Ref. | Dimensions | | | | | |
|------|-------------|------|------|--------|-------|-------|
| | Millimeters | | | Inches | | |
| | Min. | Typ. | Max. | Min. | Typ. | Max. |
| A | | | 1.75 | | | 0.069 |
| A1 | 0.10 | | 0.25 | 0.004 | | 0.010 |
| A2 | 1.25 | | | 0.049 | | |
| b | 0.28 | | 0.48 | 0.011 | | 0.019 |
| c | 0.17 | | 0.23 | 0.007 | | 0.010 |
| D | 4.80 | 4.90 | 5.00 | 0.189 | 0.193 | 0.197 |
| E | 5.80 | 6.00 | 6.20 | 0.228 | 0.236 | 0.244 |
| E1 | 3.80 | 3.90 | 4.00 | 0.150 | 0.154 | 0.157 |
| e | | 1.27 | | | 0.050 | |
| h | 0.25 | | 0.50 | 0.010 | | 0.020 |
| L | 0.40 | | 1.27 | 0.016 | | 0.050 |
| L1 | | 1.04 | | | 0.040 | |
| k | 1° | | 8° | 1° | | 8° |
| ccc | | | 0.10 | | | 0.004 |

5.6 QFN16 3x3 package information

Figure 29: QFN16 3x3 mm package outline

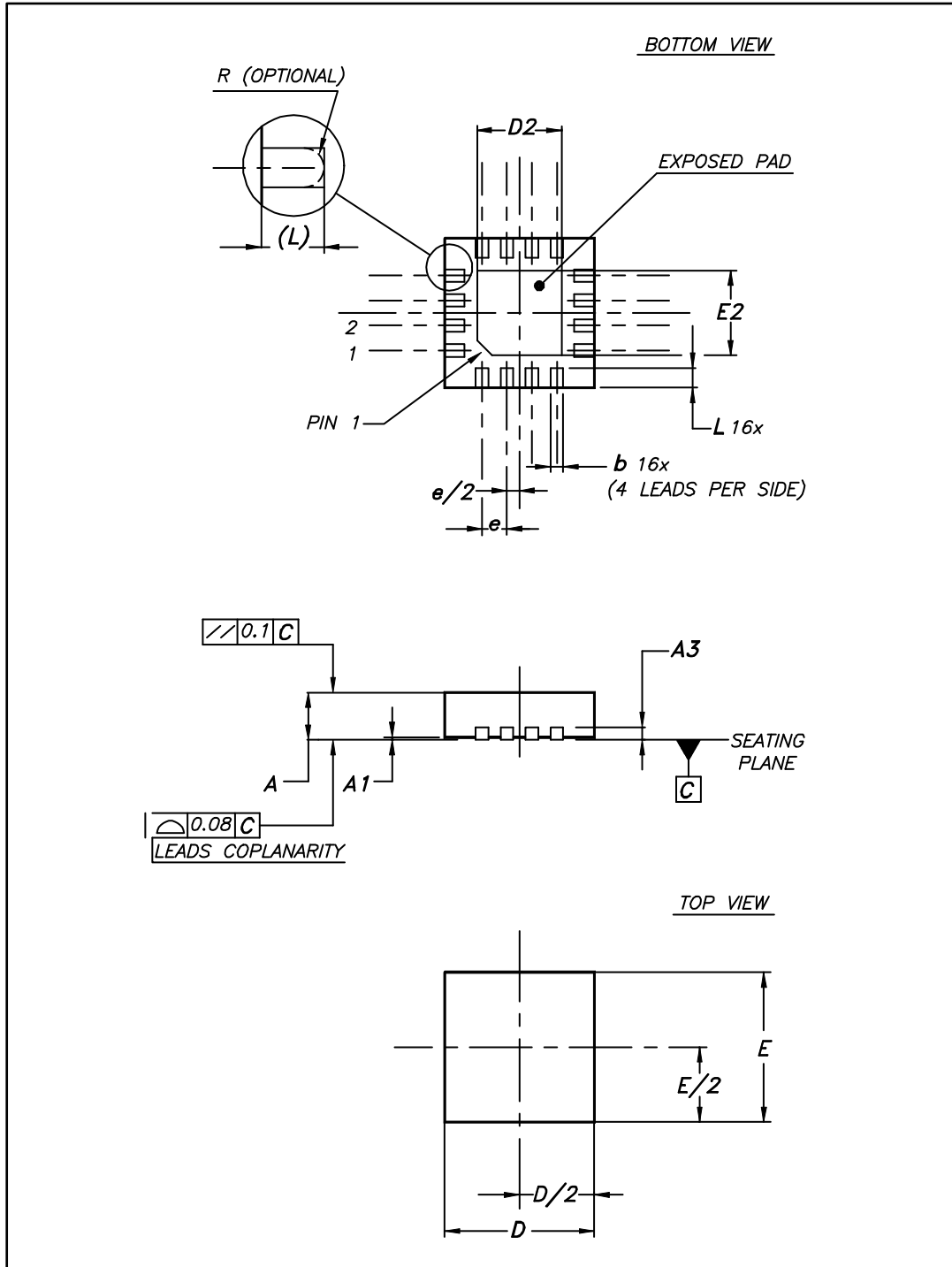
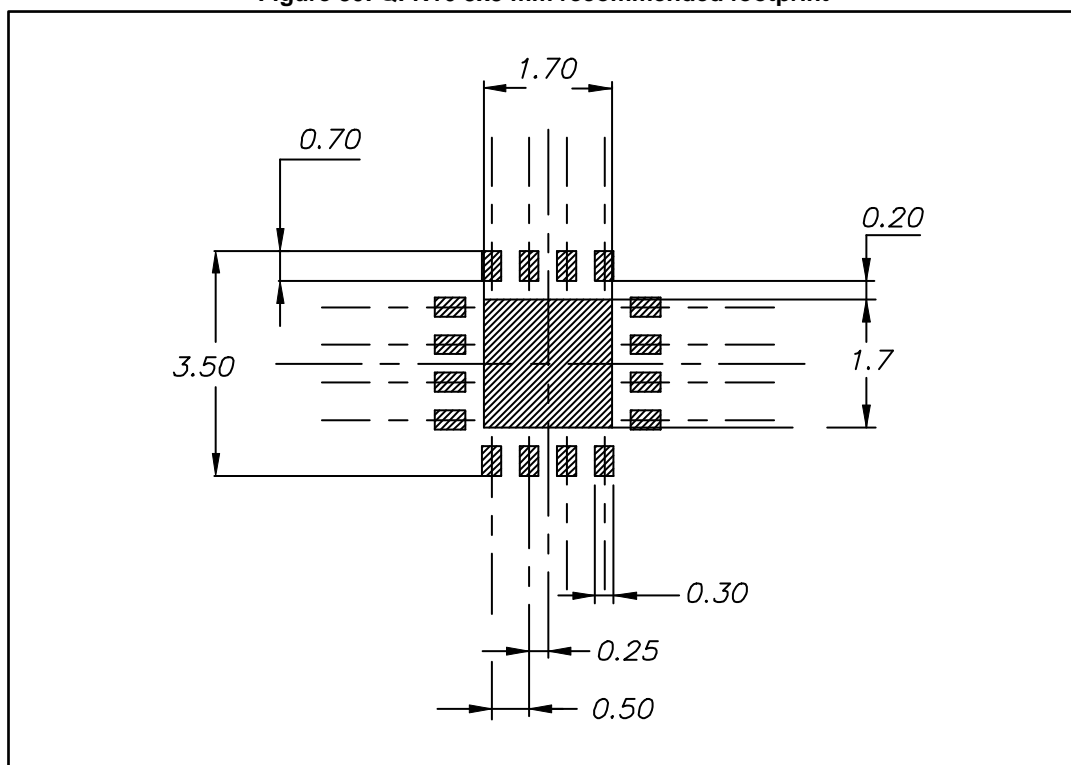


Table 14: QFN16 3x3 mm package mechanical data

| Ref. | Dimensions | | | | | |
|------|-------------|------|------|--------|-------|-------|
| | Millimeters | | | Inches | | |
| | Min. | Typ. | Max. | Min. | Typ. | Max. |
| A | 0.80 | 0.90 | 1.00 | 0.031 | 0.035 | 0.039 |
| A1 | 0 | | 0.05 | 0 | | 0.002 |
| A3 | | 0.20 | | | 0.008 | |
| b | 0.18 | | 0.30 | 0.007 | | 0.012 |
| D | 2.90 | 3.00 | 3.10 | 0.114 | 0.118 | 0.122 |
| D2 | 1.50 | | 1.80 | 0.059 | | 0.071 |
| E | 2.90 | 3.00 | 3.10 | 0.114 | 0.118 | 0.122 |
| E2 | 1.50 | | 1.80 | 0.059 | | 0.071 |
| e | | 0.50 | | | 0.020 | |
| L | 0.30 | | 0.50 | 0.012 | | 0.020 |

Figure 30: QFN16 3x3 mm recommended footprint



5.7 TSSOP14 package information

Figure 31: TSSOP14 package outline

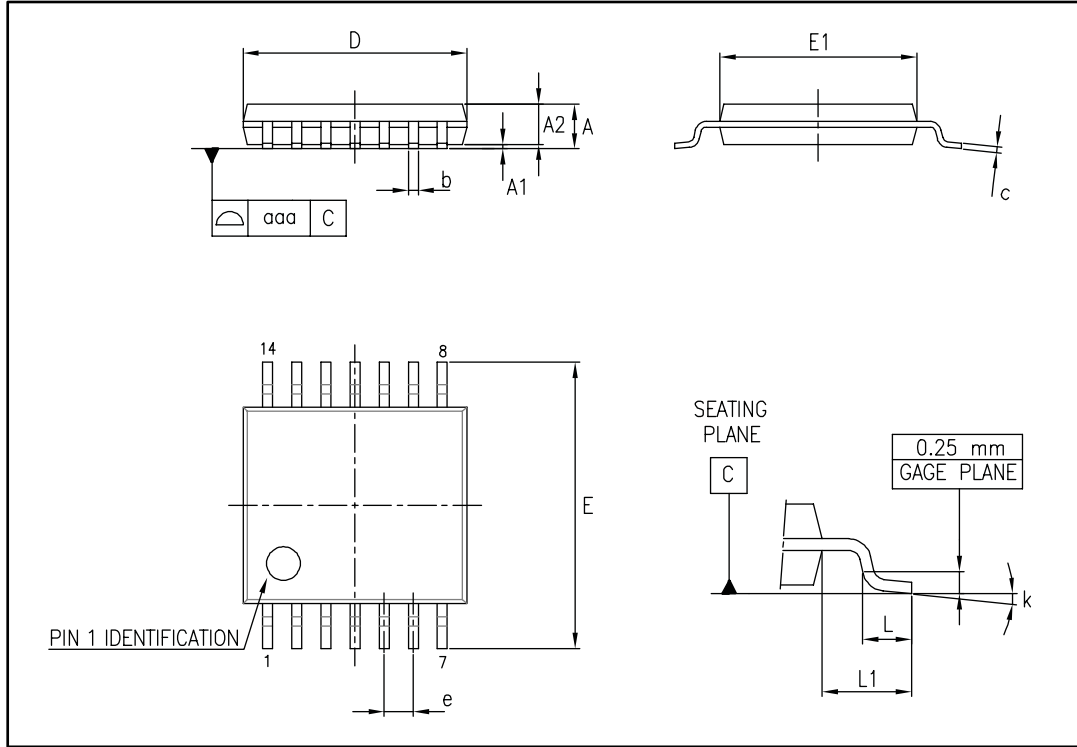


Table 15: TSSOP14 package mechanical data

| Ref. | Dimensions | | | | | |
|------|-------------|------|------|--------|--------|--------|
| | Millimeters | | | Inches | | |
| | Min. | Typ. | Max. | Min. | Typ. | Max. |
| A | | | 1.20 | | | 0.047 |
| A1 | 0.05 | | 0.15 | 0.002 | 0.004 | 0.006 |
| A2 | 0.80 | 1.00 | 1.05 | 0.031 | 0.039 | 0.041 |
| b | 0.19 | | 0.30 | 0.007 | | 0.012 |
| c | 0.09 | | 0.20 | 0.004 | | 0.0089 |
| D | 4.90 | 5.00 | 5.10 | 0.193 | 0.197 | 0.201 |
| E | 6.20 | 6.40 | 6.60 | 0.244 | 0.252 | 0.260 |
| E1 | 4.30 | 4.40 | 4.50 | 0.169 | 0.173 | 0.176 |
| e | | 0.65 | | | 0.0256 | |
| L | 0.45 | 0.60 | 0.75 | 0.018 | 0.024 | 0.030 |
| L1 | | 1.00 | | | 0.039 | |
| k | 0° | | 8° | 0° | | 8° |
| aaa | | | 0.10 | | | 0.004 |

5.8 TSSOP16 package information

Figure 32: TSSOP16 package outline

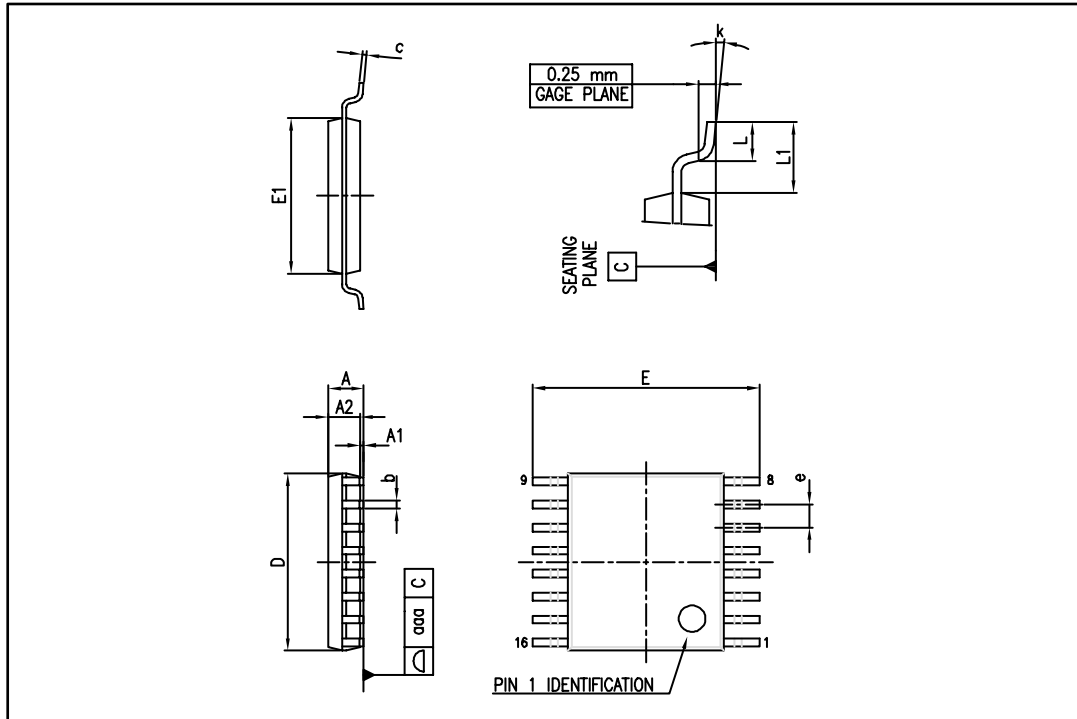


Table 16: TSSOP16 package mechanical data

| Ref. | Dimensions | | | | | |
|------|-------------|------|------|--------|-------|-------|
| | Millimeters | | | Inches | | |
| | Min. | Typ. | Max. | Min. | Typ. | Max. |
| A | | | 1.20 | | | 0.047 |
| A1 | 0.05 | | 0.15 | 0.002 | | 0.006 |
| A2 | 0.80 | 1.00 | 1.05 | 0.031 | 0.039 | 0.041 |
| b | 0.19 | | 0.30 | 0.007 | | 0.012 |
| c | 0.09 | | 0.20 | 0.004 | | 0.008 |
| D | 4.90 | 5.00 | 5.10 | 0.193 | 0.197 | 0.201 |
| E | 6.20 | 6.40 | 6.60 | 0.244 | 0.252 | 0.260 |
| E1 | 4.30 | 4.40 | 4.50 | 0.169 | 0.173 | 0.177 |
| e | | 0.65 | | | 0.026 | |
| k | 0° | | 8° | 0° | | 8° |
| L | 0.45 | 0.60 | 0.75 | 0.018 | 0.024 | 0.030 |
| L1 | | 1.00 | | | 0.039 | |
| aaa | | | 0.10 | | | 0.004 |

6 Ordering information

Table 17: Order codes

| Order code | Temperature range | Package ⁽¹⁾ | Marking |
|-------------|--|------------------------|---------|
| TSV632AIDT | -40 °C to 125 °C | SO8 | TV632A |
| TSV632AILT | | SOT23-8 | K145 |
| TSV632AIQ2T | | DFN8 2x2 | K1P |
| TSV632AIST | | MiniSO8 | K145 |
| TSV632IDT | | SO8 | TSV632 |
| TSV632ILT | | SOT23-8 | K110 |
| TSV632IQ2T | | DFN8 2x2 | K1N |
| TSV632IST | | MiniSO8 | K110 |
| TSV632IYDT | -40 °C to 125 °C, automotive grade ⁽²⁾ | SO8 | V632IY |
| TSV633AIST | -40 °C to 125 °C | MiniSO10 | K146 |
| TSV633IST | | | K111 |
| TSV634AIPT | | TSSOP14 | TSV634A |
| TSV634IQ4T | | QFN16 3x3 | K112 |
| TSV634IPT | | TSSOP14 | TSV634 |
| TSV634IYPT | V634IY | | |
| TSV635AIPT | -40 °C to 125 °C | TSSOP16 | TSV635A |
| TSV635IPT | | | TSV635 |

Notes:

⁽¹⁾All devices are in tape and reel packing

⁽²⁾Qualified and characterized according to AEC Q100 and Q003 or equivalent, advanced screening according to AEC Q001 and Q002.

7 Revision history

Table 18: Document revision history

| Date | Revision | Changes |
|-------------|----------|---|
| 25-May-2009 | 1 | Initial release. |
| 15-Jun-2009 | 2 | Corrected pin connection diagram in Figure 1 . |
| 03-Sep-2009 | 3 | Added root part numbers (TSV63xA) and Table 1: "Device summary" on cover page. Added order code TSV632AILT in Table 17: "Order codes" . |
| 07-Nov-2011 | 4 | Added DFN8 2x2 package mechanical drawing. Added ordering information for DFN package to Table 17: "Order codes" . Corrected unit on Y axis of Figure 16 and Figure 17 . |
| 13-Dec-2012 | 5 | Updated Features Added QFN16 3x3 package Updated Figure 1: "Pin connections for each package (top view)" . Table 4 , Table 6 , and Table 7 : replaced DV_{io} symbol with $\Delta V_{io}/\Delta T$ Table 4 , Table 5 , Table 6 , Table 7 and Table 8 : for supply current parameter, replaced "operator" with "channel". Table 17: "Order codes" : added automotive order codes and updated footnote Deleted TSV632ID/AID from order codes in Table 17: "Order codes" |
| 29-May-2015 | 6 | Table 4 , Table 6 , and Table 7 : V_{OH} "min" values changed to "max" values. Table 17: "Order codes" : added order code TSV632AIQ2T, updated footnote 1. |

IMPORTANT NOTICE – PLEASE READ CAREFULLY

STMicroelectronics NV and its subsidiaries (“ST”) reserve the right to make changes, corrections, enhancements, modifications, and improvements to ST products and/or to this document at any time without notice. Purchasers should obtain the latest relevant information on ST products before placing orders. ST products are sold pursuant to ST’s terms and conditions of sale in place at the time of order acknowledgement.

Purchasers are solely responsible for the choice, selection, and use of ST products and ST assumes no liability for application assistance or the design of Purchasers’ products.

No license, express or implied, to any intellectual property right is granted by ST herein.

Resale of ST products with provisions different from the information set forth herein shall void any warranty granted by ST for such product.

ST and the ST logo are trademarks of ST. All other product or service names are the property of their respective owners.

Information in this document supersedes and replaces information previously supplied in any prior versions of this document.

© 2015 STMicroelectronics – All rights reserved

Компания «Life Electronics» занимается поставками электронных компонентов импортного и отечественного производства от производителей и со складов крупных дистрибьюторов Европы, Америки и Азии.

С конца 2013 года компания активно расширяет линейку поставок компонентов по направлению коаксиальный кабель, кварцевые генераторы и конденсаторы (керамические, пленочные, электролитические), за счёт заключения дистрибьюторских договоров

Мы предлагаем:

- Конкурентоспособные цены и скидки постоянным клиентам.
- Специальные условия для постоянных клиентов.
- Подбор аналогов.
- Поставку компонентов в любых объемах, удовлетворяющих вашим потребностям.
- Приемлемые сроки поставки, возможна ускоренная поставка.
- Доставку товара в любую точку России и стран СНГ.
- Комплексную поставку.
- Работу по проектам и поставку образцов.
- Формирование склада под заказчика.
- Сертификаты соответствия на поставляемую продукцию (по желанию клиента).
- Тестирование поставляемой продукции.
- Поставку компонентов, требующих военную и космическую приемку.
- Входной контроль качества.
- Наличие сертификата ISO.

В составе нашей компании организован Конструкторский отдел, призванный помогать разработчикам, и инженерам.

Конструкторский отдел помогает осуществить:

- Регистрацию проекта у производителя компонентов.
- Техническую поддержку проекта.
- Защиту от снятия компонента с производства.
- Оценку стоимости проекта по компонентам.
- Изготовление тестовой платы монтаж и пусконаладочные работы.



Тел: +7 (812) 336 43 04 (многоканальный)

Email: org@lifeelectronics.ru

www.lifeelectronics.ru