

Reduce inventory levels and cost by stocking actuators and base switches separately.

Contura II, III, IV, V, X, XI, XII Base switches separately: specify V with code selections 2-8 in the ordering schemes.

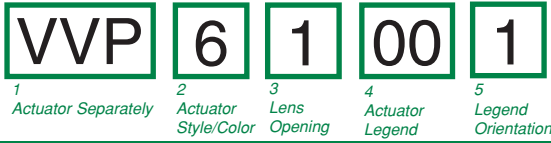
Contura II, III, IV, V Actuator only: VV with code A or C for selection 9, & with selections 10-14 in the ordering schemes.

Panel Seal: VPS

Contura II, III, IV, V Actuator only: VV with code A, C, E, G or P for selection 9 & with selections 10-14 in the ordering schemes.

Contura X, XI, XII actuators with lenses separately: VV with code selections 9-14 in the ordering schemes.

Contura X & XI actuators without lenses separately:



1 CONTURA X & XI ACTUATOR SEPARATELY VVP								
2 ACTUATOR STYLE & COLOR								
	Black	Gray	White	Red				
Contura X	1	2	3	4				
Contura XI	6	7	8	9				
3 LENS OPENING FOR¹								
1	One bar lens	4	Two Square lens					
2	One bar lenses	5	Square lens on top/ bar lens on bottom (Contura X only)					
3	One Square lens							
4 ACTUATOR LENS OR BODY LEGEND								
00 - No Legend this location								
11	ON	12	OFF	13		14	O	
	OFF		ON		O			
15	O	16	O	17	O		18	
	F		N		N		F	
	F		F		F			
For additional legend options & codes, see page 69 of this catalog								
5 LEGEND ORIENTATION²								
0	No legend							
1	Orientation 1							
2	Orientation 2							
3	Orientation 3							
4	Orientation 4							

Contura X, XI & XII top piece of 2-piece lens separately:

VVT 1		1 TOP OF LENS SEPARATELY VVT
1	2	
Lens Separately	Color	
2 COLOR		
1	2	3
Clear	Smoke	White

Contura X, XI & XII actuator lens assembly:

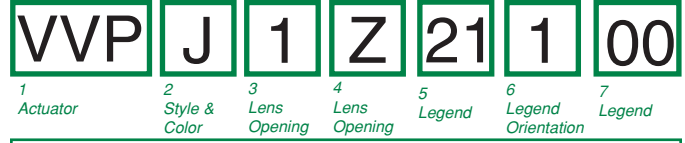
actuator stem, top lens, bottom lens, two piece lens assembly

posts mount toward actuator stem

1 piece lens/bar lens are positioned the same as bottom lens for assembly, minus the top lens. Lenses snap in from bottom.

- NOTES**
- 1 If actuator lens opening for 2 bar or 2 square lenses, legend orientation 0, 1, or 2 must be chosen.
 - 2 Center of actuator marking not available for Contura XII.
 - 3 Legend is not available for bar style lens.
 - 4 Not recommended with neon lamps.
 - 5 Must also order top piece of 2 piece square lens separately.

Contura XII actuators without lenses separately:



1 CONTURA XII ACTUATOR SEPARATELY VVP										
2 ACTUATOR STYLE & COLOR										
J	K	N	M							
Black	Gray	White	Red							
3,4 LENS OPENING FOR										
Z	1	2								
No lens	Bar lens	Square lens								
5, 7 LENS OR BODY LEGEND²										
00	no legend	21	OFF	22	ON	23	O	24		
25	O	26	O	27	O	28				
	F		N		F					
For additional legend options & codes, see page 69 of this catalog.										
6 LEGEND ORIENTATION³							ORIENTATION OF ACTUATOR/LENS IN PANEL			
0	No legend						ORIENTATION 1			
1	Orientation 1						ORIENTATION 2			
2	Orientation 2									

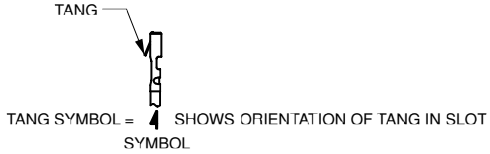
Contura X, XI & XII actuator lens assembly separately:

VVL 2 1 00 0								
1	2	3	4	5				
Lens Separately	Lens Style	Lens Color	Legend	Legend Orientation				
1 CONTURA X, XI & XII LENS SEPARATELY VVL								
2 LENS STYLE³								
1	2	3	Bottom of Two-Piece Square lens ⁵					
Bar lens	One Piece Square lens							
3 TRANSLUCENT LENS COLOR								
1	2	3	4	5	6			
Clear	White	Amber	Green ⁴	Red	Blue ⁴			
4 LENS OR BODY LEGEND²								
00	No legend							
21	OFF	22	ON	23	O	24		
25	O	26	O	27	O	28		
	F		N		F			
For additional legend options & codes, see page 69 of this catalog.								
5 LEGEND ORIENTATION³					ORIENTATION OF ACTUATOR/LENS IN PANEL			
0	No legend				ORIENTATION 1			
1	Orientation 1				ORIENTATION 2			
2	Orientation 2				ORIENTATION 3			
3	Orientation 3				ORIENTATION 4			
4	Orientation 4							

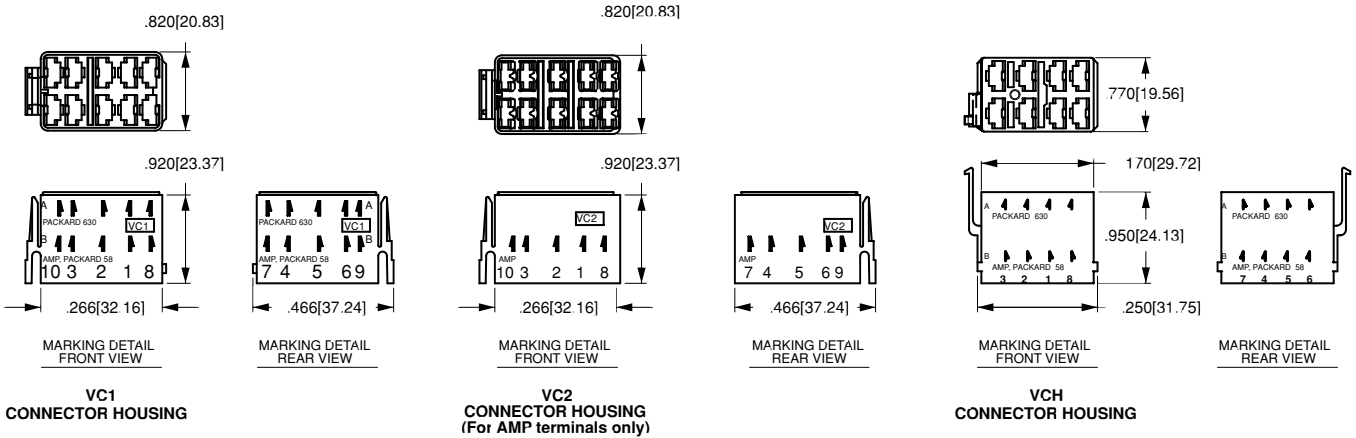
Easily integrate Contura products into your system, with Contura Accessories

Contura Connectors

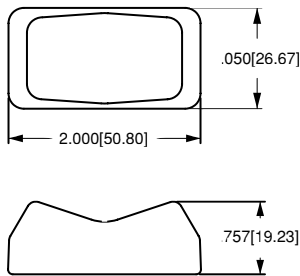
Q.C. SELECTION GUIDE					
COMPANY SERIES	PART NO		WIRE RANGE		ORIENTATION
	PLAIN BRASS	TIN PLATED BRASS	AWG	MM (REF)	
PACKARD 58 SERIES	02965580		12	3.0	B
	02965471	12010601	(2)16-14	(2)1.0-2.0	
	02965470		16-14	1.0-2.0	
	02965469	06288318	20-18	.5-.8	
PACKARD METRI-PACK 630 SERIES		12084590	12	3.0	A
		12052224	12	3.0	
		12015870	16-14	1.0-2.0	
		12020035	(2)22-18	(2).5-.8	
	12015832	12015869	20-18	.5-.8	
		12052222	20-22	.35-.5	
AMP 250 SERIES FASTIN-FASTON	60253-1	60253-2	16-12 (2) 16	1.3-3 (2) 1.3	B
	42100-1	42100-2	18-14	.8-2	
	60295-1	60295-2	22-18	.3-.9	



NOTE: Consult Delphi Packard and/or Amp or actual part numbers and availability.
AMP is a registered trademark of AMP Inc. Harrisburg, PA
Delphi Packard is a registered trademark of Delphi-Packard Electrical Systems Warren, Ohio

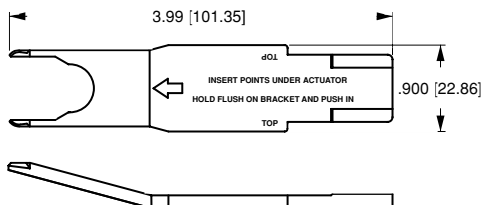


Contura X Boot



**VB1-01
CONTURA X BOOT**

Contura II, III, IV & V Actuator Removal Tool

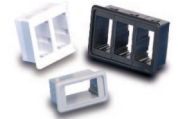
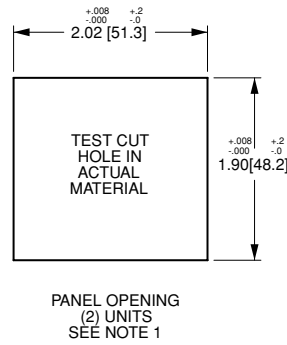
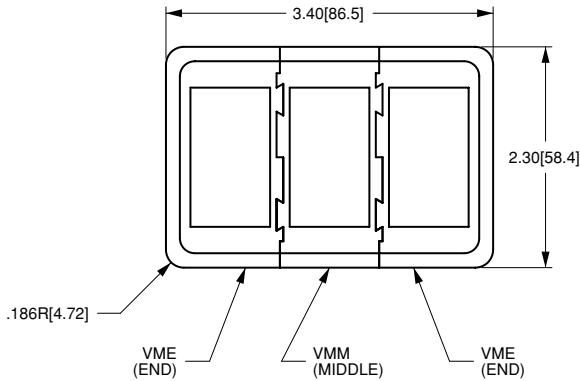


**VRT
ACTUATOR REMOVAL
TOOL
(For flush bracket)**



Contura Mounting Panels

Dimensional Specifications: in. [mm]



PANEL THICKNESS:
TOLERANCE:

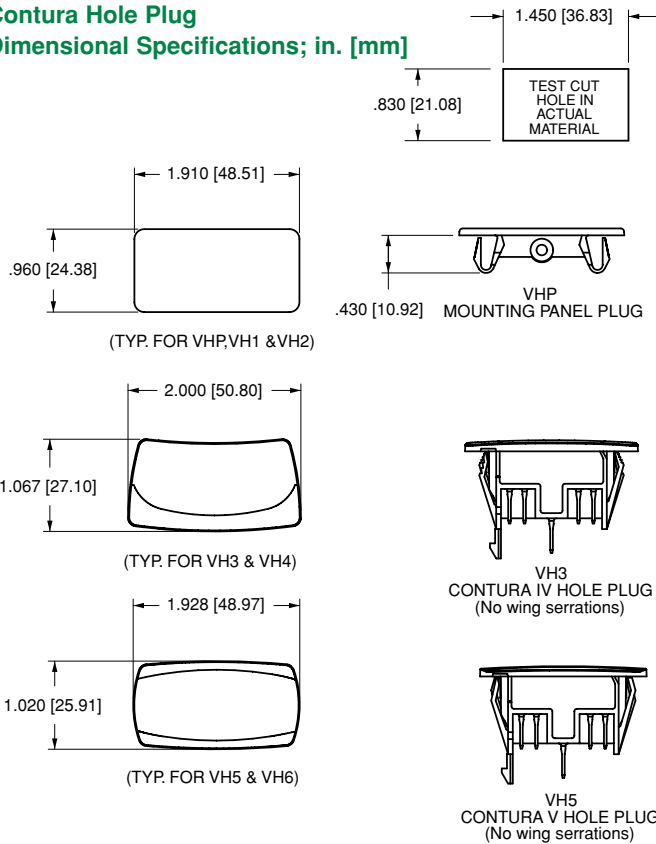
- .062 [1.57]
- .093 [2.36]
- .125 [3.17]
- .187 [4.75]
- .250 [6.35]
- .375 [9.52]

NOTES:

1. FOR ADDITIONAL UNITS, ADD 1.03 [26.2] PER UNIT.
2. FOR MORE THAN 2 V-SERIES SWITCHES, ADD MIDDLE SECTION.

Contura Hole Plug

Dimensional Specifications; in. [mm]



VHP
MOUNTING PANEL PLUG

VH1
STANDARD HOLE PLUG
(No wing serrations)
(With VC1 connector attached)

VH3
CONTURA IV HOLE PLUG
(No wing serrations)

VH4
CONTURA IV HOLE PLUG
(With wing serrations)

VH5
CONTURA V HOLE PLUG
(No wing serrations)

VH6
CONTURA V HOLE PLUG
(With wing serrations)



VH2
STANDARD HOLE PLUG
(With wing serrations)

DETAIL VIEW
VH1, VH3 & VH5
HOLE PLUGS
(No wing serrations
for ease of removal)

DETAIL VIEW
VH2, VH4 & VH6
HOLE PLUGS
(With wing serrations)

Additional V-Series Ratings

- | | | | |
|-----------|---|----------|--|
| 1 | .4VA @ 28VDC Resistive | L | 15A 125 VAC, 10A 250VAC, 1/2 HP 125-250 VAC; 6A 125 VAC L |
| 4 | 10A 250VAC 1/2 HP, 15A 125 VAC 1/2 H, No Agency Listings | M | .4VA/20A 12V (combi-contact)
(combination gold/silver contacts for borderline dry circuit applications) |
| 5 | 10A 250VAC 1/2 HP, 15A 125 VAC 1/2 HP, UL Recognized, CSA Certified | N | .4VA/15A 24V (combi-contact)
(combination gold/silver contacts for borderline dry circuit applications) |
| 6* | 15A 125VAC 1/2 HP, 12(2)A 125 VAC μ T85 | | |
| 7* | 15A 125VAC 1/2 HP, 12(6)A 125 VAC T85 | | |
| 8* | 10A 250VAC, 15A 125VAC, 1/2 HP 125-250VAC, 12(2)A 250 VAC μ T85 | | |
| 9* | 10A 250VAC, 15A 125VAC, 1/2 HP 125-250VAC, 12(6)A 250 VAC T85 | | |
| B | 15A 24V | | |
| C | 20A 18V | | |
| D | 20A 12V | | |
| E | 20A 14V, 10A 14VT (circuits 1, 4, A, & D only) | | |
| F | 10A 14V, 6A, 14VT (circuit G only) | | |
| G | 20A 6V | | |
| H | 20A 3V | | |

NOTES

Consult factory to determine availability for individual circuits.
* Ratings 6 - 9 are UL, CSA, VDE, DEMKO, SEMKO, NEMKO, FIMKO & BEAB certified, require terminations A or B for double pole circuits, & are not available with illumination circuits 4, 8, D, J, N, & T or with wire lead or solder lug terminations. Circuits 1, 4, A & D are not available with rating 6 & 8. Rating 7 & 9 only available with circuits 1, 4, A & D. Circuits 2, 3, 5, 7, 8, K, L are 1/2 HP 250VAC only with rating 8. Ratings 6 & 7 must specify lamp code 1 (125VAC neon). Ratings 8 & 9 must specify lamp code 2 (250VAC neon). Rating L available with circuits 1, 4, A & D only.

Компания «Life Electronics» занимается поставками электронных компонентов импортного и отечественного производства от производителей и со складов крупных дистрибьюторов Европы, Америки и Азии.

С конца 2013 года компания активно расширяет линейку поставок компонентов по направлению коаксиальный кабель, кварцевые генераторы и конденсаторы (керамические, пленочные, электролитические), за счёт заключения дистрибьюторских договоров

Мы предлагаем:

- Конкуренеспособные цены и скидки постоянным клиентам.
- Специальные условия для постоянных клиентов.
- Подбор аналогов.
- Поставку компонентов в любых объемах, удовлетворяющих вашим потребностям.
- Приемлемые сроки поставки, возможна ускоренная поставка.
- Доставку товара в любую точку России и стран СНГ.
- Комплексную поставку.
- Работу по проектам и поставку образцов.
- Формирование склада под заказчика.
- Сертификаты соответствия на поставляемую продукцию (по желанию клиента).
- Тестирование поставляемой продукции.
- Поставку компонентов, требующих военную и космическую приемку.
- Входной контроль качества.
- Наличие сертификата ISO.

В составе нашей компании организован Конструкторский отдел, призванный помогать разработчикам, и инженерам.

Конструкторский отдел помогает осуществить:

- Регистрацию проекта у производителя компонентов.
- Техническую поддержку проекта.
- Защиту от снятия компонента с производства.
- Оценку стоимости проекта по компонентам.
- Изготовление тестовой платы монтаж и пусконаладочные работы.



Тел: +7 (812) 336 43 04 (многоканальный)
Email: org@lifeelectronics.ru