


FLS IB M12 DIO 8/8 M12

Order No.: 2736385

<http://eshop.phoenixcontact.de/phoenix/treeViewClick.do?UID=2736385>

The stand-alone device for INTERBUS has 8 digital inputs and 8 digital outputs each with a load capacity of 500 mA. The M12 connection is established using fast connection technology. The 24 V DC supply is protected against short circuit and overload.



Commercial data	
GTIN (EAN)	 4 017918 943257
sales group	L001
Pack	1 pcs.
Customs tariff	85176200
Catalog page information	Page 351 (AX-2009)

Product notes

WEEE/RoHS-compliant since:
12/08/2009



<http://www.download.phoenixcontact.com>
Please note that the data given here has been taken from the online catalog. For comprehensive information and data, please refer to the user documentation. The General Terms and Conditions of Use apply to Internet downloads.

Product description

This device is used for digital signal acquisition and output.

Technical data

General data

Width	60 mm
Height	178 mm
Depth	49.3 mm
Drill hole spacing	168 mm
Weight	340 g
Mounting type	Wall mounting
Ambient temperature (operation)	-25 °C ... 60 °C
Ambient temperature (storage/transport)	-25 °C ... 85 °C
Permissible humidity (storage/transport)	95 %
Air pressure (operation)	80 kPa ... 106 kPa (up to 2000 m above sea level)
Air pressure (storage/transport)	70 kPa ... 106 kPa (up to 3000 m above sea level)
Degree of protection	IP65/67
Protection class	III, IEC 61140, EN 61140, VDE 0140-1
Test section	To I/O 500 V AC

Interface

Fieldbus system	INTERBUS
Name	Remote bus
Type of connection	2 M12 plug connectors, B-coded
Designation connection point	Copper cable
Transmission speed	500 kBaud
Number of positions	5

Power supply for module electronics

Type of connection	M12 plug connectors, (A-coded)
Name	U_L
Supply voltage	24 V DC
Supply voltage range	18 V DC ... 30 V DC IEC 61131-2 (including ripple)

Fieldline potential routing

Voltage supply U_L	24 V DC
Power supply at U_L	max. 4 A
Current consumption from U_L	Typ. 60 mA
	max. 100 mA

Voltage supply U_s	24 V DC
Power supply at U_s	max. 4 A
Current consumption from U_s	Typ. 10 mA (plus sensor current)
	max. 500 mA
Voltage supply U_{A11}	24 V DC
Power supply at U_{A11}	max. 4 A
Current consumption at U_{A11}	Typ. 6 mA (plus actuator current)
	max. 4 A
Voltage supply U_{A12}	24 V DC
Power supply at U_{A12}	max. 4 A
Current consumption at U_{A12}	Typ. 6 mA (plus actuator current)
	max. 4 A

Digital inputs

Input name	Digital inputs
Type of connection	M12 plug connectors, double occupancy
Connection method	2, 3, 4-wire
Number of inputs	8
Protective circuit	Protection against polarity reversal
Filter time	3 ms
Input characteristic curve	IEC 61131-2 type 1
Input voltage	24 V DC
Input voltage range "0" signal	-30 V DC ... 5 V DC
Input voltage range "1" signal	13 V DC ... 30 V DC

Digital outputs

Output name	Digital outputs
Type of connection	M12 plug connectors, double occupancy
Connection method	2, 3-wire
Number of outputs	8
Protective circuit	Short-circuit protection
Output voltage	24 V DC
Maximum output current per channel	500 mA

Certificates / Approvals



Certification	CUL, UL
Certification Ex:	CUL-EX, UL-EX

Accessories

Item	Designation	Description
Cable/conductor		
1509487	SAC-4P- 2,0-186/M12FS	Sensor/Actuator cable, 4-position, PUR, Black-gray RAL 7021, Free conductor end, on Socket, straight M12, A-coded, Cable length: 2 m
1509490	SAC-4P- 5,0-186/M12FS	Sensor/Actuator cable, 4-position, PUR, Black-gray RAL 7021, Free conductor end, on Socket, straight M12, A-coded, Cable length: 5 m
1509500	SAC-4P-10,0-186/M12FS	Sensor/Actuator cable, 4-position, PUR, Black-gray RAL 7021, Free conductor end, on Socket, straight M12, A-coded, Cable length: 10 m
1509513	SAC-4P-15,0-186/M12FS	Sensor/Actuator cable, 4-position, PUR, Black-gray RAL 7021, Free conductor end, on Socket, straight M12, A-coded, Cable length: 15 m
1509526	SAC-4P-M12MS/ 0,3-186/ M12FS	Sensor/Actuator cable, 4-position, PUR, Black-gray RAL 7021, Plug, straight M12, A-coded, on Socket, straight M12, A-coded, Cable length: 0.3 m
1509539	SAC-4P-M12MS/ 0,5-186/ M12FS	Sensor/Actuator cable, 4-position, PUR, Black-gray RAL 7021, Plug, straight M12, A-coded, on Socket, straight M12, A-coded, Cable length: 0.5 m
1509542	SAC-4P-M12MS/ 1,0-186/ M12FS	Sensor/Actuator cable, 4-position, PUR, Black-gray RAL 7021, Plug, straight M12, A-coded, on Socket, straight M12, A-coded, Cable length: 1 m
1509445	SAC-4P-M12MS/ 2,0-186	Sensor/Actuator cable, 4-position, PUR, Black-gray RAL 7021, Plug, straight M12, A-coded, on Free conductor end, Cable length: 2 m
1509555	SAC-4P-M12MS/ 2,0-186/ M12FS	Sensor/Actuator cable, 4-position, PUR, Black-gray RAL 7021, Plug, straight M12, A-coded, on Socket, straight M12, A-coded, Cable length: 2 m
1509458	SAC-4P-M12MS/ 5,0-186	Sensor/Actuator cable, 4-position, PUR, Black-gray RAL 7021, Plug, straight M12, A-coded, on Free conductor end, Cable length: 5 m

1509568	SAC-4P-M12MS/ 5,0-186/ M12FS	Sensor/Actuator cable, 4-position, PUR, Black-gray RAL 7021, Plug, straight M12, A-coded, on Socket, straight M12, A-coded, Cable length: 5 m
1509461	SAC-4P-M12MS/10,0-186	Sensor/Actuator cable, 4-position, PUR, Black-gray RAL 7021, Plug, straight M12, A-coded, on Free conductor end, Cable length: 10 m
1509571	SAC-4P-M12MS/10,0-186/ M12FS	Sensor/Actuator cable, 4-position, PUR, Black-gray RAL 7021, Plug, straight M12, A-coded, on Socket, straight M12, A-coded, Cable length: 10 m
1509474	SAC-4P-M12MS/15,0-186	Sensor/Actuator cable, 4-position, PUR, Black-gray RAL 7021, Plug, straight M12, A-coded, on Free conductor end, Cable length: 15 m
1509584	SAC-4P-M12MS/15,0-186/ M12FS	Sensor/Actuator cable, 4-position, PUR, Black-gray RAL 7021, Plug, straight M12, A-coded, on Socket, straight M12, A-coded, Cable length: 15 m
1507117	SAC-5P- 2,0-900/M12FSB	Bus system cable, INTERBUS, 5-position, PUR, halogen-free, Green RAL 6017, shielded, Free conductor end, on Socket, straight M12, B-coded, Cable length: 2 m
1507120	SAC-5P- 5,0-900/M12FSB	Bus system cable, INTERBUS, 5-position, PUR, halogen-free, Green RAL 6017, shielded, Free conductor end, on Socket, straight M12, B-coded, Cable length: 5 m
1507133	SAC-5P-10,0-900/M12FSB	Bus system cable, INTERBUS, 5-position, PUR, halogen-free, Green RAL 6017, shielded, Free conductor end, on Socket, straight M12, B-coded, Cable length: 10 m
1507146	SAC-5P-15,0-900/M12FSB	Bus system cable, INTERBUS, 5-position, PUR, halogen-free, Green RAL 6017, shielded, Free conductor end, on Socket, straight M12, B-coded, Cable length: 15 m
1507162	SAC-5P-M12MSB/ 0,3-900/ M12FSB	Bus system cable, INTERBUS, 5-position, PUR, halogen-free, Green RAL 6017, shielded, Plug, straight M12, B-coded, on Socket, straight M12, B-coded, Cable length: 0.3 m
1507175	SAC-5P-M12MSB/ 0,5-900/ M12FSB	Bus system cable, INTERBUS, 5-position, PUR, halogen-free, Green RAL 6017, shielded, Plug, straight M12, B-coded, on Socket, straight M12, B-coded, Cable length: 0.5 m
1507188	SAC-5P-M12MSB/ 1,0-900/ M12FSB	Bus system cable, INTERBUS, 5-position, PUR, halogen-free, Green RAL 6017, shielded, Plug, straight M12, B-coded, on Socket, straight M12, B-coded, Cable length: 1 m
1507065	SAC-5P-M12MSB/ 2,0-900	Bus system cable, INTERBUS, 5-position, PUR, halogen-free, Green RAL 6017, shielded, Plug, straight M12, B-coded, on Free conductor end, Cable length: 2 m
1507191	SAC-5P-M12MSB/ 2,0-900/ M12FSB	Bus system cable, INTERBUS, 5-position, PUR, halogen-free, Green RAL 6017, shielded, Plug, straight M12, B-coded, on Socket, straight M12, B-coded, Cable length: 2 m
1507078	SAC-5P-M12MSB/ 5,0-900	Bus system cable, INTERBUS, 5-position, PUR, halogen-free, Green RAL 6017, shielded, Plug, straight M12, B-coded, on Free conductor end, Cable length: 5 m
1507201	SAC-5P-M12MSB/ 5,0-900/ M12FSB	Bus system cable, INTERBUS, 5-position, PUR, halogen-free, Green RAL 6017, shielded, Plug, straight M12, B-coded, on Socket, straight M12, B-coded, Cable length: 5 m

1507081	SAC-5P-M12MSB/10,0-900	Bus system cable, INTERBUS, 5-position, PUR, halogen-free, Green RAL 6017, shielded, Plug, straight M12, B-coded, on Free conductor end, Cable length: 10 m
1507214	SAC-5P-M12MSB/10,0-900/ M12FSB	Bus system cable, INTERBUS, 5-position, PUR, halogen-free, Green RAL 6017, shielded, Plug, straight M12, B-coded, on Socket, straight M12, B-coded, Cable length: 10 m
1507094	SAC-5P-M12MSB/15,0-900	Bus system cable, INTERBUS, 5-position, PUR, halogen-free, Green RAL 6017, shielded, Plug, straight M12, B-coded, on Free conductor end, Cable length: 15 m
1507227	SAC-5P-M12MSB/15,0-900/ M12FSB	Bus system cable, INTERBUS, 5-position, PUR, halogen-free, Green RAL 6017, shielded, Plug, straight M12, B-coded, on Socket, straight M12, B-coded, Cable length: 15 m

Marking

0809735	ZBF 12:UNBEDRUCKT	Zack strip, flat, unprinted, 5-section, divisible, for labeling by the customer
---------	-------------------	---

Plug/Adapter

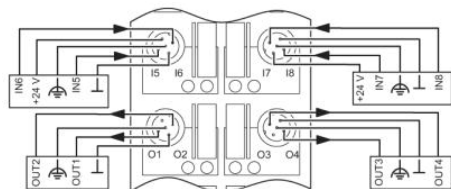
1510722	SAC-4P-M12Y/2X0,3-PUR/ M12FS VP	Sensor/Actuator cable, 4-position, PUR, halogen-free, Black-gray RAL 7021, Plug, straight M12, A-coded, on Socket, straight M12, A-coded and Socket, straight M12, A-coded, Cable length: 0.3 m
1507777	SACC-M12FSB-5CON-PG9 SH AU	Bus system plug connector, female, straight, 5-pos., M12, shielded, gold-plated contacts, B-coded, screw connection, metal knurl, cable screw connection Pg9
1507764	SACC-M12MSB-5CON-PG9 SH AU	Bus system plug connector, male straight, 5-pos., M12, shielded, gold-plated contacts, B-coded, screw connection, metal knurl, cable screw connection Pg9

Protection and sealing elements

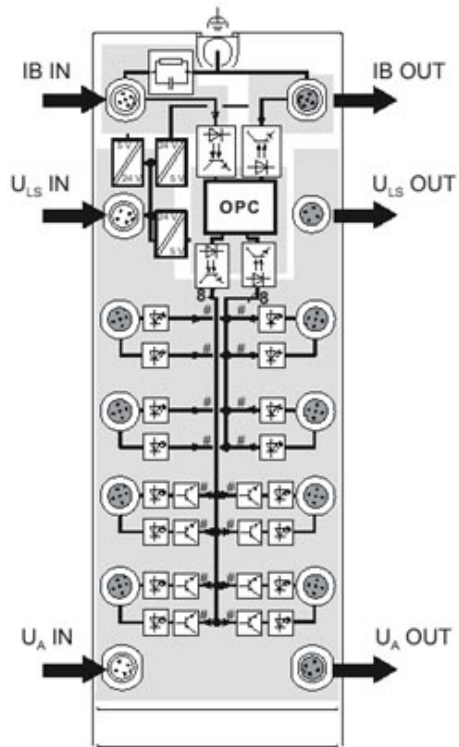
1680539	PROT-M12	An M12 screw plug for the unoccupied M12 sockets of the sensor/ actuator cable, boxes and flush-type connectors
---------	----------	---

Diagrams/Drawings

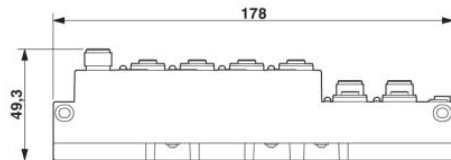
Connection diagram



Block diagram



Dimensioned drawing



Dimensions of the module

Address

PHOENIX CONTACT Deutschland GmbH
Flachmarktstr. 8
32825 Blomberg, Germany
Phone +49 5235 3 12000
Fax +49 5235 3 41200
<http://www.phoenixcontact.de>



© 2011 Phoenix Contact
Technical modifications reserved;

Компания «Life Electronics» занимается поставками электронных компонентов импортного и отечественного производства от производителей и со складов крупных дистрибьюторов Европы, Америки и Азии.

С конца 2013 года компания активно расширяет линейку поставок компонентов по направлению коаксиальный кабель, кварцевые генераторы и конденсаторы (керамические, пленочные, электролитические), за счёт заключения дистрибьюторских договоров

Мы предлагаем:

- Конкурентоспособные цены и скидки постоянным клиентам.
- Специальные условия для постоянных клиентов.
- Подбор аналогов.
- Поставку компонентов в любых объемах, удовлетворяющих вашим потребностям.
- Приемлемые сроки поставки, возможна ускоренная поставка.
- Доставку товара в любую точку России и стран СНГ.
- Комплексную поставку.
- Работу по проектам и поставку образцов.
- Формирование склада под заказчика.
- Сертификаты соответствия на поставляемую продукцию (по желанию клиента).
- Тестирование поставляемой продукции.
- Поставку компонентов, требующих военную и космическую приемку.
- Входной контроль качества.
- Наличие сертификата ISO.

В составе нашей компании организован Конструкторский отдел, призванный помогать разработчикам, и инженерам.

Конструкторский отдел помогает осуществить:

- Регистрацию проекта у производителя компонентов.
- Техническую поддержку проекта.
- Защиту от снятия компонента с производства.
- Оценку стоимости проекта по компонентам.
- Изготовление тестовой платы монтаж и пусконаладочные работы.



Тел: +7 (812) 336 43 04 (многоканальный)

Email: org@lifeelectronics.ru