

### FEATURES

- Fast slew rate: 22 V/ $\mu$ s typical
- Settling time (0.01%): 1.2  $\mu$ s maximum
- Offset voltage: 200  $\mu$ V typical
- High open-loop gain: 1000 V/mV minimum
- Low total harmonic distortion: 0.002% typical

### APPLICATIONS

- Output amplifier for fast DACs
- Signal processing
- Instrumentation amplifiers
- Fast sample-and-holds
- Active filters
- Low distortion audio amplifiers
- Input buffer for ADCs
- Servo controllers

### GENERAL DESCRIPTION

The OP249 is a high speed, precision dual JFET op amp, similar to the popular single op amp. The OP249 outperforms available dual amplifiers by providing superior speed with excellent dc performance. Ultrahigh open-loop gain (1 kV/mV minimum), low offset voltage, and superb gain linearity makes the OP249 the industry's first true precision, dual high speed amplifier.

With a slew rate of 22 V/ $\mu$ s typical and a fast settling time of less than 1.2  $\mu$ s maximum to 0.01%, the OP249 is an ideal choice for high speed bipolar DAC and ADC applications. The excellent dc performance of the OP249 allows the full accuracy of high resolution CMOS DACs to be realized.

### PIN CONFIGURATIONS

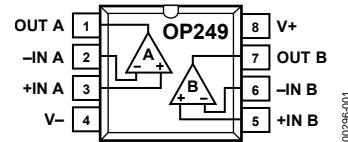


Figure 1. 8-Lead CERDIP (Q-8) and 8-Lead PDIP (N-8)

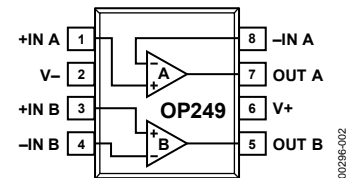


Figure 2. 8-Lead SOIC (R-8)

Symmetrical slew rate, even when driving large load, such as, 600  $\Omega$  or 200 pF of capacitance and ultralow distortion, make the OP249 ideal for professional audio applications, active filters, high speed integrators, servo systems, and buffer amplifiers.

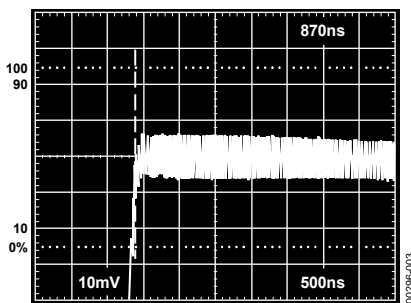


Figure 3. Fast Settling (0.01%)



Figure 4. Low Distortion,  $A_V = 1$ ,  $R_L = 10\text{ k}\Omega$

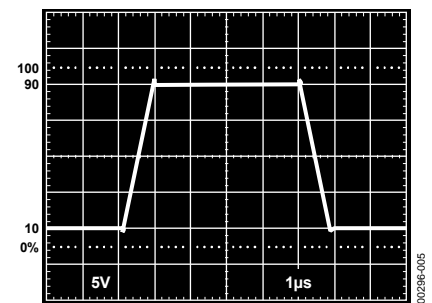


Figure 5. Excellent Output Drive,  $R_L = 600\ \Omega$

### Rev. G

Information furnished by Analog Devices is believed to be accurate and reliable. However, no responsibility is assumed by Analog Devices for its use, nor for any infringements of patents or other rights of third parties that may result from its use. Specifications subject to change without notice. No license is granted by implication or otherwise under any patent or patent rights of Analog Devices. Trademarks and registered trademarks are the property of their respective owners.

**TABLE OF CONTENTS**

|                                  |   |   |    |
|----------------------------------|---|---|----|
| Features .....                   | 1 | Typical Performance Characteristics ..... | 7  |
| Applications.....                | 1 | Applications Information .....            | 13 |
| Pin Configurations .....         | 1 | Open-Loop Gain Linearity .....            | 14 |
| General Description .....        | 1 | Offset Voltage Adjustment .....           | 14 |
| Revision History .....           | 2 | Settling Time.....                        | 14 |
| Specifications.....              | 3 | DAC Output Amplifier.....                 | 15 |
| Electrical Characteristics ..... | 3 | Discussion on Driving ADCs .....          | 16 |
| Absolute Maximum Ratings.....    | 6 | Outline Dimensions .....                  | 17 |
| ESD Caution.....                 | 6 | Ordering Guide .....                      | 18 |

**REVISION HISTORY**

**4/10—Rev. F to Rev. G**

|   |    |
|---|----|
| Changes to Features Section and General Description Section .   | 1  |
| Changes to Offset Voltage Parameter, Table 1 .....  | 3  |
| Deleted Long Term Offset Voltage Parameter and<br>Note 1, Table 1 .....   | 3  |
| Changes to Offset Voltage Parameter, Offset Voltage<br>Temperature Coefficient Parameter, and Note 1, Table 3 ..... | 5  |
| Delete OP249F Columns, Table 3.....   | 5  |
| Changes to Offset Voltage Parameter and Offset Voltage<br>Temperature Coefficient Parameter, Table 4.....           | 5  |
| Inserted OP249F Columns, Table 4 .....  | 5  |
| Changes to Discussion on Driving ADCs Section.....  | 16 |
| Deleted Figure 52 and Figure 53.....  | 17 |

**5/07—Rev. E to Rev. F**

|  |           |
|--|-----------|
| Updated Format .....                               | Universal |
| Changes to Table 1.....                            | 3         |
| Changes to Table 2.....                            | 4         |
| Changes to Table 3 and Table 4.....                | 5         |
| Changes to Table 5.....                            | 6         |
| Changes to Figure 31 .....                         | 11        |
| Changes to Figure 37 and Figure 38.....            | 12        |
| Deleted OP249 SPICE Macro-Model Section .....      | 14        |
| Deleted Figure 18; Renumbered Sequentially .....   | 14        |
| Deleted Table I .....                              | 15        |
| Changes to Discussion on Driving ADCs Section..... | 17        |
| Updated Outline Dimensions .....                   | 18        |
| Changes to Ordering Guide .....                    | 19        |

**9/01—Rev. D to Rev. E**

|   |      |
|---|------|
| Edits to Features and Pin Connections .....                                 | 1    |
| Edits to Electrical Characteristics .....                                   | 2, 3 |
| Edits to Absolute Maximum Ratings, Package Type, and<br>Ordering Guide..... | 4    |
| Deleted Wafer Test Limits and Dice Characteristics Section .....            | 5    |
| Edits to Typical Performance Characteristics.....                           | 8    |
| Edits to Macro-Model Figure.....  | 15   |
| Edits to Outline Dimensions.....  | 17   |

# SPECIFICATIONS

## ELECTRICAL CHARACTERISTICS

$V_S = \pm 15\text{ V}$ ,  $T_A = 25^\circ\text{C}$ , unless otherwise noted.

Table 1.

| Parameter                           | Symbol     | Conditions   | OP249A     |              |          | OP249F     |              |          | Unit                       |
|-------------------------------------|------------|--|------------|--------------|----------|------------|--------------|----------|----------------------------|
|                                     |            |  | Min        | Typ          | Max      | Min        | Typ          | Max      |                            |
| Offset Voltage                      | $V_{OS}$   | $V_{CM} = 0\text{ V}$                              |            | 0.2          | 0.75     |            | 0.2          | 0.9      | mV                         |
| Offset Stability                    |            |  |            | 1.5          |          |            | 1.5          |          | $\mu\text{V}/\text{month}$ |
| Input Bias Current                  | $I_B$      | $V_{CM} = 0\text{ V}$ , $T_A = 25^\circ\text{C}$   |            | 30           | 75       |            | 30           | 75       | pA                         |
| Input Offset Current                | $I_{OS}$   | $V_{CM} = 0\text{ V}$ , $T_A = 25^\circ\text{C}$   |            | 6            | 25       |            | 6            | 25       | pA                         |
| Input Voltage Range <sup>1</sup>    | IVR        |  |            | 12.5         |          |            | 12.5         |          | V                          |
|                                     |            |  | $\pm 11$   |              |          | $\pm 11$   |              |          | V                          |
|                                     |            |  |            | -12.5        |          |            | -12.5        |          | V                          |
| Common-Mode Rejection               | CMR        | $V_{CM} = \pm 11\text{ V}$                         | 80         | 90           |          | 80         | 90           |          | dB                         |
| Power-Supply Rejection Ratio        | PSRR       | $V_S = \pm 4.5\text{ V}$ to $\pm 18\text{ V}$      |            | 12           | 31.6     |            | 12           | 50       | $\mu\text{V}/\text{V}$     |
| Large Signal Voltage Gain           | $A_{VO}$   | $V_O = \pm 10\text{ V}$ , $R_L = 2\text{ k}\Omega$ | 1000       | 1400         |          | 500        | 1200         |          | V/mV                       |
| Output Voltage Swing                | $V_O$      | $R_L = 2\text{ k}\Omega$                           |            | 12.5         |          |            | 12.5         |          | V                          |
|                                     |            |  | $\pm 12.0$ |              |          | $\pm 12.0$ |              |          | V                          |
|                                     |            |  |            | -12.5        |          |            | -12.5        |          | V                          |
| Short-Circuit Current Limit         | $I_{SC}$   | Output shorted to ground                           |            | 36           |          |            | 36           |          | mA                         |
|                                     |            |  | $\pm 20$   |              | $\pm 50$ | $\pm 20$   |              | $\pm 50$ | mA                         |
|                                     |            |  |            | -33          |          |            | -33          |          | mA                         |
| Supply Current                      | $I_{SY}$   | No load, $V_O = 0\text{ V}$                        |            | 5.6          | 7.0      |            | 5.6          | 7.0      | mA                         |
| Slew Rate                           | SR         | $R_L = 2\text{ k}\Omega$ , $C_L = 50\text{ pF}$    | 18         | 22           |          | 18         | 22           |          | V/ $\mu\text{s}$           |
| Gain Bandwidth Product <sup>2</sup> | GBW        |  | 3.5        | 4.7          |          | 3.5        | 4.7          |          | MHz                        |
| Settling Time                       | $t_S$      | 10 V step 0.01% <sup>3</sup>                       |            | 0.9          | 1.2      |            | 0.9          | 1.2      | $\mu\text{s}$              |
| Phase Margin                        | $\Theta_M$ | 0 dB gain  |            | 55           |          |            | 55           |          | Degrees                    |
| Differential Input Impedance        | $Z_{IN}$   |  |            | $10^{12}  6$ |          |            | $10^{12}  6$ |          | $\Omega  \text{pF}$        |
| Open-Loop Output Resistance         | $R_O$      |  |            | 35           |          |            | 35           |          | $\Omega$                   |
| Voltage Noise                       | $e_n$ p-p  | 0.1 Hz to 10 Hz                                    |            | 2            |          |            | 2            |          | $\mu\text{V}$ p-p          |
| Voltage Noise Density               | $e_n$      | $f_o = 10\text{ Hz}$                               |            | 75           |          |            | 75           |          | nV/ $\sqrt{\text{Hz}}$     |
|                                     |            | $f_o = 100\text{ Hz}$                              |            | 26           |          |            | 26           |          | nV/ $\sqrt{\text{Hz}}$     |
|                                     |            | $f_o = 1\text{ kHz}$                               |            | 17           |          |            | 17           |          | nV/ $\sqrt{\text{Hz}}$     |
|                                     |            | $f_o = 10\text{ kHz}$                              |            | 16           |          |            | 16           |          | nV/ $\sqrt{\text{Hz}}$     |
| Current Noise Density               | $i_n$      | $f_o = 1\text{ kHz}$                               |            | 0.003        |          |            | 0.003        |          | pA/ $\sqrt{\text{Hz}}$     |
| Voltage Supply Range                | $V_S$      |  | $\pm 4.5$  | $\pm 15$     | $\pm 18$ | $\pm 4.5$  | $\pm 15$     | $\pm 18$ | V                          |

<sup>1</sup> Guaranteed by CMR test.

<sup>2</sup> Guaranteed by design.

<sup>3</sup> Settling time is sample tested.

# OP249

$V_S = \pm 15\text{ V}$ ,  $T_A = 25^\circ\text{C}$ , unless otherwise noted.

**Table 2.**

| Parameter                           | Symbol     | Conditions   | OP249G     |                       |          | Unit                         |
|-------------------------------------|------------|--|------------|-----------------------|----------|------------------------------|
|                                     |            |  | Min        | Typ                   | Max      |                              |
| Offset Voltage                      | $V_{OS}$   | $V_{CM} = 0\text{ V}$                              |            | 0.4                   | 2.0      | mV                           |
| Input Bias Current                  | $I_B$      | $V_{CM} = 0\text{ V}$ , $T_A = 25^\circ\text{C}$   |            | 40                    | 75       | pA                           |
| Input Offset Current                | $I_{OS}$   | $V_{CM} = 0\text{ V}$ , $T_A = 25^\circ\text{C}$   |            | 10                    | 25       | pA                           |
| Input Voltage Range <sup>1</sup>    | IVR        |  |            | 12.5                  |          | V                            |
|                                     |            |  | $\pm 11$   |                       |          | V                            |
| Common-Mode Rejection               | CMR        | $V_{CM} = \pm 11\text{ V}$                         |            | -12.0                 |          | V                            |
|                                     |            |  | 76         | 90                    |          | dB                           |
| Power Supply Rejection Ratio        | PSRR       | $V_S = \pm 4.5\text{ V}$ to $\pm 18\text{ V}$      |            | 12                    | 50       | $\mu\text{V/V}$              |
| Large Signal Voltage Gain           | $A_{VO}$   | $V_O = \pm 10\text{ V}$ ; $R_L = 2\text{ k}\Omega$ | 500        | 1100                  |          | V/mV                         |
| Output Voltage Swing                | $V_O$      | $R_L = 2\text{ k}\Omega$                           |            | 12.5                  |          | V                            |
|                                     |            |  | $\pm 12.0$ |                       |          | V                            |
| Short-Circuit Current Limit         | $I_{SC}$   | Output shorted to ground                           |            | -12.5                 |          | V                            |
|                                     |            |  |            | 36                    |          | mA                           |
|                                     |            |  | $\pm 20$   |                       | $\pm 50$ | mA                           |
|                                     |            |  |            | -33                   |          | mA                           |
| Supply Current                      | $I_{SV}$   | No load; $V_O = 0\text{ V}$                        |            | 5.6                   | 7.0      | mA                           |
| Slew Rate                           | SR         | $R_L = 2\text{ k}\Omega$ , $C_L = 50\text{ pF}$    | 18         | 22                    |          | V/ $\mu\text{s}$             |
| Gain Bandwidth Product <sup>2</sup> | GBW        |  |            | 4.7                   |          | MHz                          |
| Settling Time                       | $t_S$      | 10 V step 0.01%                                    |            | 0.9                   | 1.2      | $\mu\text{s}$                |
| Phase Margin                        | $\theta_M$ | 0 dB gain  |            | 55                    |          | Degree                       |
| Differential Input Impedance        | $Z_{IN}$   |  |            | $10^{12} \parallel 6$ |          | $\Omega \parallel \text{pF}$ |
| Open-Loop Output Resistance         | $R_O$      |  |            | 35                    |          | $\Omega$                     |
| Voltage Noise                       | $e_n$ p-p  | 0.1 Hz to 10 Hz                                    |            | 2                     |          | $\mu\text{V p-p}$            |
| Voltage Noise Density               | $e_n$      | $f_o = 10\text{ Hz}$                               |            | 75                    |          | $\text{nV}/\sqrt{\text{Hz}}$ |
|                                     |            | $f_o = 100\text{ Hz}$                              |            | 26                    |          | $\text{nV}/\sqrt{\text{Hz}}$ |
|                                     |            | $f_o = 1\text{ kHz}$                               |            | 17                    |          | $\text{nV}/\sqrt{\text{Hz}}$ |
|                                     |            | $f_o = 10\text{ kHz}$                              |            | 16                    |          | $\text{nV}/\sqrt{\text{Hz}}$ |
| Current Noise Density               | $i_n$      | $f_o = 1\text{ kHz}$                               |            | 0.003                 |          | $\text{pA}/\sqrt{\text{Hz}}$ |
| Voltage Supply Range                | $V_S$      |  | $\pm 4.5$  | $\pm 15$              | $\pm 18$ | V                            |

<sup>1</sup> Guaranteed by CMR test.

<sup>2</sup> Guaranteed by design.

$V_S = \pm 15\text{ V}$ ,  $-55^\circ\text{C} \leq T_A \leq +125^\circ\text{C}$  for A grade, unless otherwise noted.

**Table 3.**

| Parameter                              | Symbol     | Conditions   | OP249A   |       |     | Unit                         |
|--|------------|--|----------|-------|-----|------------------------------|
|  |            |  | Min      | Typ   | Max |                              |
| Offset Voltage                         | $V_{OS}$   | $V_{CM} = 0\text{ V}$                              |          | 0.12  | 1.0 | mV                           |
| Offset Voltage Temperature Coefficient | $TCV_{OS}$ | $V_{CM} = 0\text{ V}$                              |          | 1     | 10  | $\mu\text{V}/^\circ\text{C}$ |
| Input Bias Current <sup>1</sup>        | $I_B$      |  |          | 4     | 20  | nA                           |
| Input Offset Current <sup>1</sup>      | $I_{OS}$   |  |          | 0.04  | 4   | nA                           |
| Input Voltage Range <sup>2</sup>       | IVR        |  |          | 12.5  |     | V                            |
|  |            |  | $\pm 11$ |       |     | V                            |
|  |            |  |          | -12.5 |     | V                            |
| Common-Mode Rejection                  | CMR        | $V_{CM} = \pm 11\text{ V}$                         | 76       | 110   |     | dB                           |
| Power Supply Rejection Ratio           | PSRR       | $V_S = \pm 4.5\text{ V to } \pm 18\text{ V}$       |          | 5     | 50  | $\mu\text{V}/\text{V}$       |
| Large Signal Voltage Gain              | $A_{VO}$   | $R_L = 2\text{ k}\Omega$ ; $V_O = \pm 10\text{ V}$ | 500      | 1400  |     | V/mV                         |
| Output Voltage Swing                   | $V_O$      | $R_L = 2\text{ k}\Omega$                           |          | 12.5  |     | V                            |
|  |            |  | $\pm 12$ |       |     | V                            |
|  |            |  |          | -12.5 |     | V                            |
| Supply Current                         | $I_{SY}$   | No load, $V_O = 0\text{ V}$                        |          | 5.6   | 7.0 | mA                           |

<sup>1</sup>  $T_A = 125^\circ\text{C}$ .

<sup>2</sup> Guaranteed by CMR test.

$V_S = \pm 15\text{ V}$ ,  $-40^\circ\text{C} \leq T_A \leq +85^\circ\text{C}$ , unless otherwise noted.

**Table 4.**

| Parameter                              | Symbol     | Conditions   | OP249F   |       |     | OP249G     |       |     | Unit                         |
|--|------------|--|----------|-------|-----|------------|-------|-----|------------------------------|
|  |            |  | Min      | Typ   | Max | Min        | Typ   | Max |                              |
| Offset Voltage                         | $V_{OS}$   | $V_{CM} = 0\text{ V}$                              |          | 0.5   | 1.1 |            | 1.0   | 3.6 | mV                           |
| Offset Voltage Temperature Coefficient | $TCV_{OS}$ | $V_{CM} = 0\text{ V}$                              |          | 2.2   | 12  |            | 6     | 25  | $\mu\text{V}/^\circ\text{C}$ |
| Input Bias Current <sup>1</sup>        | $I_B$      |  |          | 0.3   | 4.0 |            | 0.5   | 4.5 | nA                           |
| Input Offset Current <sup>1</sup>      | $I_{OS}$   |  |          | 0.02  | 1.2 |            | 0.04  | 1.5 | nA                           |
| Input Voltage Range <sup>2</sup>       | IVR        |  |          | 12.5  |     |            | 12.5  |     | V                            |
|  |            |  | $\pm 11$ |       |     | $\pm 11$   |       |     | V                            |
|  |            |  |          | -12.5 |     |            | -12.5 |     | V                            |
| Common-Mode Rejection                  | CMR        | $V_{CM} = \pm 11\text{ V}$                         | 80       | 90    |     | 76         | 95    |     | dB                           |
| Power Supply Rejection Ratio           | PSRR       | $V_S = \pm 4.5\text{ V to } \pm 18\text{ V}$       |          | 7     | 100 |            | 10    | 100 | $\mu\text{V}/\text{V}$       |
| Large Signal Voltage Gain              | $A_{VO}$   | $R_L = 2\text{ k}\Omega$ ; $V_O = \pm 10\text{ V}$ | 250      | 1200  |     | 250        | 1200  |     | V/mV                         |
| Output Voltage Swing                   | $V_O$      | $R_L = 2\text{ k}\Omega$                           |          | 12.5  |     |            | 12.5  |     | V                            |
|  |            |  | $\pm 12$ |       |     | $\pm 12.0$ |       |     | V                            |
|  |            |  |          | -12.5 |     |            | -12.5 |     | V                            |
| Supply Current                         | $I_{SY}$   | No load, $V_O = 0\text{ V}$                        |          | 5.6   | 7.0 |            | 5.6   | 7.0 | mA                           |

<sup>1</sup>  $T_A = 85^\circ\text{C}$ .

<sup>2</sup> Guaranteed by CMR test.

## ABSOLUTE MAXIMUM RATINGS

Table 5.

| Parameter <sup>1</sup>                  | Rating          |
|---|-----------------|
| Supply Voltage                          | ±18 V           |
| Input Voltage <sup>2</sup>              | ±18 V           |
| Differential Input Voltage <sup>2</sup> | 36 V            |
| Output Short-Circuit Duration           | Indefinite      |
| Storage Temperature Range               | −65°C to +175°C |
| Operating Temperature Range             |                 |
| OP249A (Q)                              | −55°C to +125°C |
| OP249F (Q)                              | −40°C to +85°C  |
| OP249G (N, R)                           | −40°C to +85°C  |
| Junction Temperature Range              |                 |
| OP249A (Q), OP249F (Q)                  | −65°C to +175°C |
| OP249G (N, R)                           | −65°C to +150°C |
| Lead Temperature (Soldering, 60 sec)    | 300°C           |

<sup>1</sup> Absolute maximum ratings apply to packaged parts, unless otherwise noted.

<sup>2</sup> For supply voltages less than ±18 V, the absolute maximum input voltage is equal to the supply voltage.

Stresses above those listed under Absolute Maximum Ratings may cause permanent damage to the device. This is a stress rating only; functional operation of the device at these or any other conditions above those indicated in the operational section of this specification is not implied. Exposure to absolute maximum rating conditions for extended periods may affect device reliability.

Table 6. Thermal Resistance

| Package Type      | $\theta_{JA}$ <sup>1</sup> | $\theta_{JC}$ | Unit |
|-------------------|----------------------------|---------------|------|
| 8-Lead CERDIP (Q) | 134                        | 12            | °C/W |
| 8-Lead PDIP (N)   | 96                         | 37            | °C/W |
| 8-Lead SOIC (R)   | 150                        | 41            | °C/W |

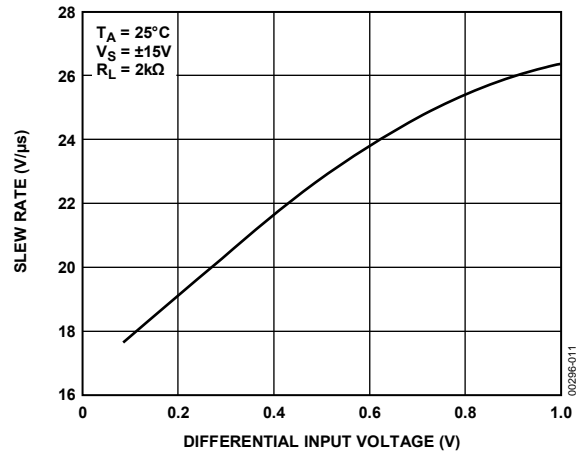
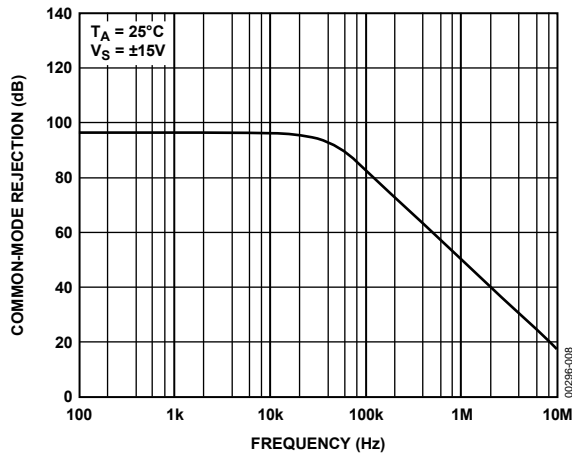
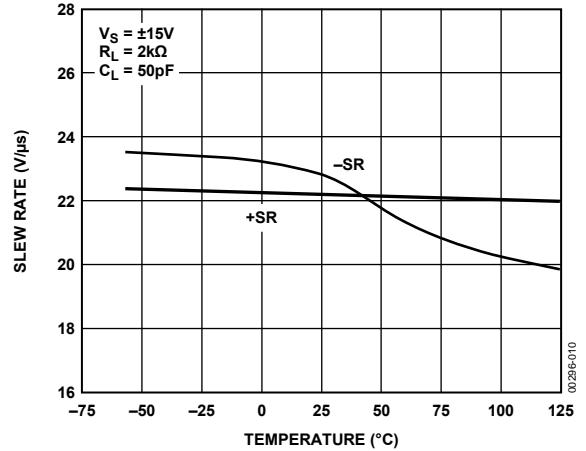
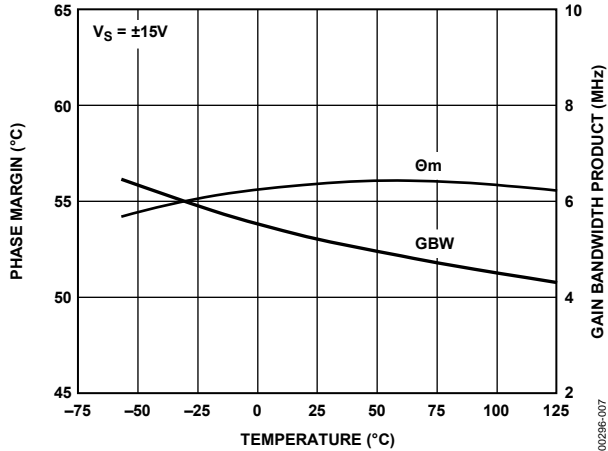
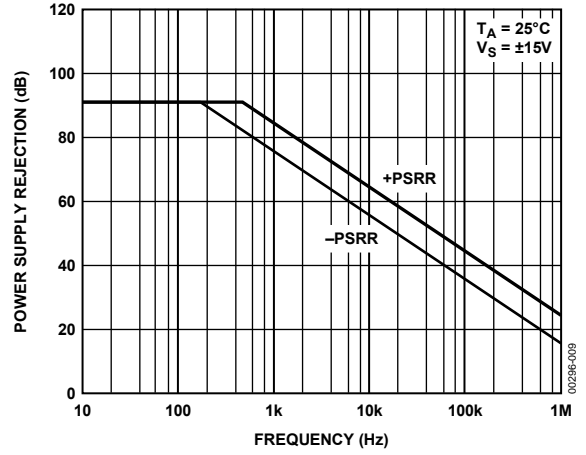
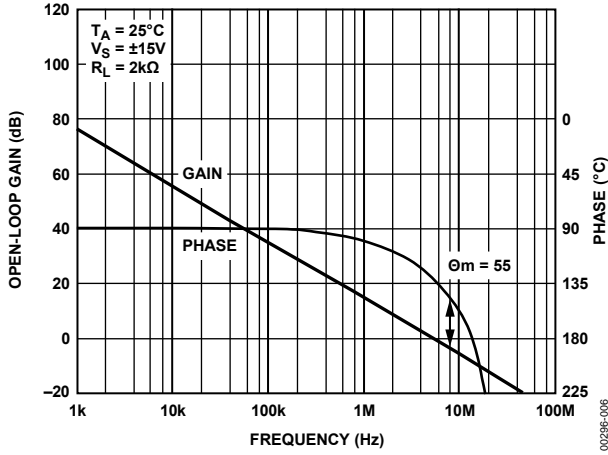
<sup>1</sup>  $\theta_{JA}$  is specified for worst-case mounting conditions, that is,  $\theta_{JA}$  is specified for device in socket for CERDIP and PDIP packages;  $\theta_{JA}$  is specified for device soldered to printed circuit board for SOIC package.

### ESD CAUTION



**ESD (electrostatic discharge) sensitive device.** Charged devices and circuit boards can discharge without detection. Although this product features patented or proprietary protection circuitry, damage may occur on devices subjected to high energy ESD. Therefore, proper ESD precautions should be taken to avoid performance degradation or loss of functionality.

# TYPICAL PERFORMANCE CHARACTERISTICS



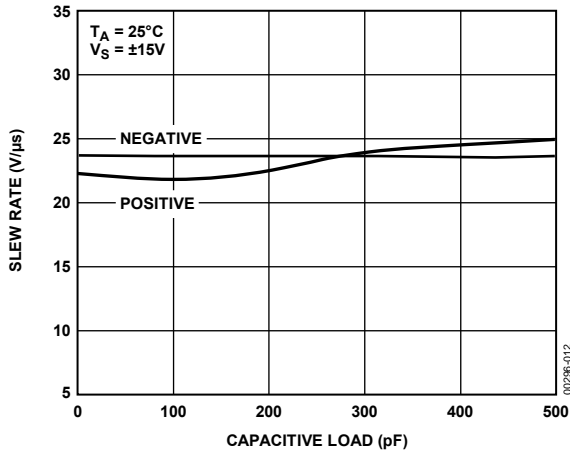


Figure 12. Slew Rate vs. Capacitive Load

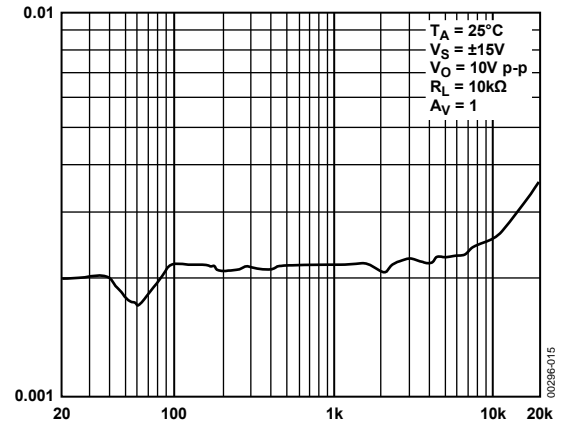


Figure 15. Distortion vs. Frequency

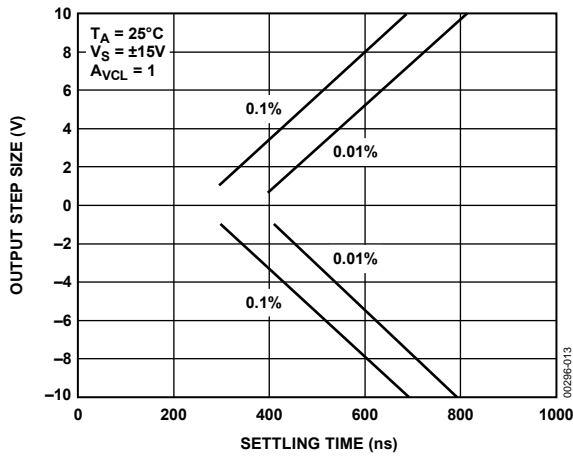


Figure 13. Step Size vs. Settling Time

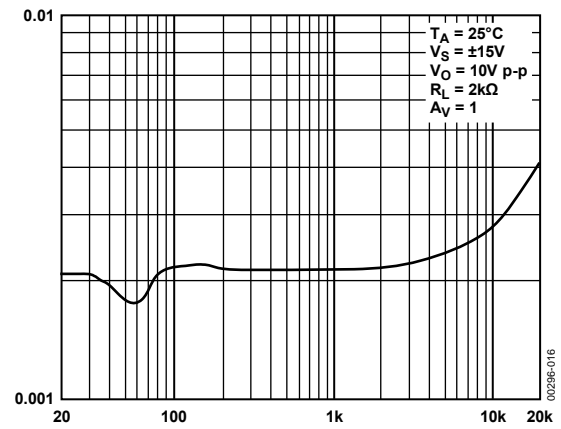


Figure 16. Distortion vs. Frequency

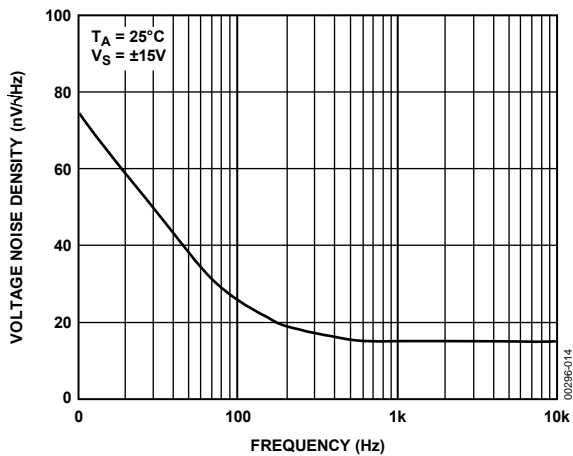


Figure 14. Voltage Noise Density vs. Frequency

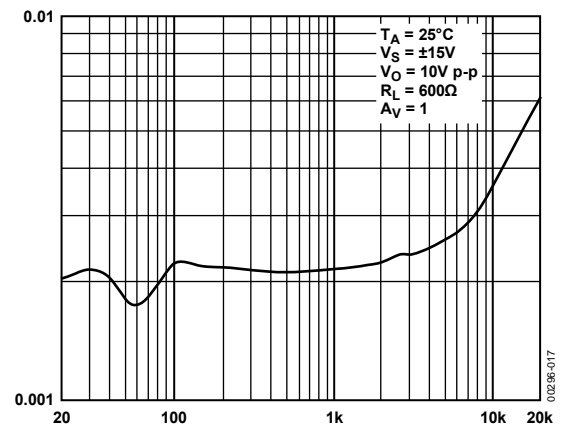


Figure 17. Distortion vs. Frequency





Figure 18. Distortion vs. Frequency



BANDWIDTH (0.1Hz TO 10Hz)  
 $T_A = 25^\circ\text{C}, V_S = \pm 15\text{V}$

Figure 21. Low Frequency Noise

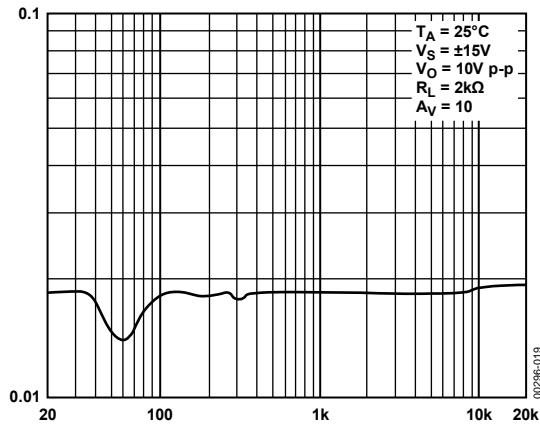


Figure 19. Distortion vs. Frequency



Figure 22. Closed-Loop Gain vs. Frequency

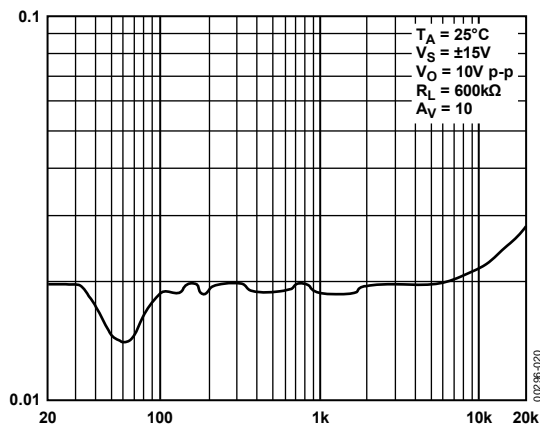


Figure 20. Distortion vs. Frequency

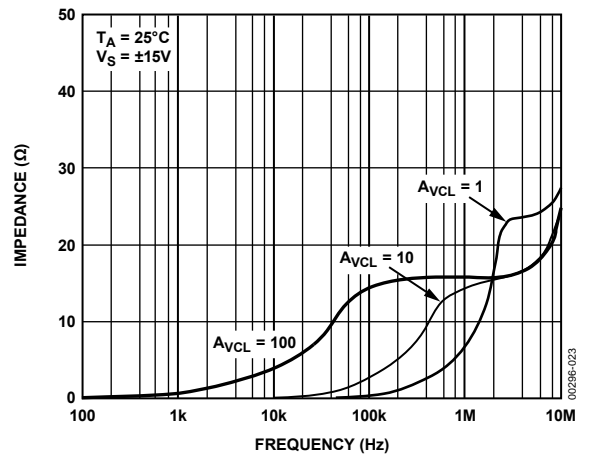


Figure 23. Closed-Loop Output Impedance vs. Frequency



Figure 24. Output Voltage vs. Frequency



Figure 27. Output Voltage Swing vs. Supply Voltage



Figure 25. Small Overshoot vs. Load Capacitance



Figure 28. Supply Current vs. Temperature



Figure 26. Maximum Output Voltage Swing vs. Load Resistance



Figure 29. Supply Current vs. Supply Voltage



Figure 30.  $V_{OS}$  Distribution (N-8)



Figure 33. Input Bias Current vs. Temperature



Figure 31.  $TCV_{OS}$  Distribution (N-8)

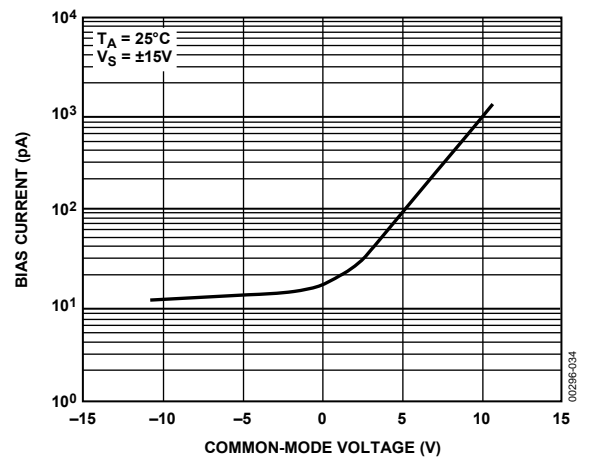


Figure 34. Bias Current vs. Common-Mode Voltage



Figure 32. Offset Voltage Warm-Up Drift



Figure 35. Bias Current Warm-Up Drift

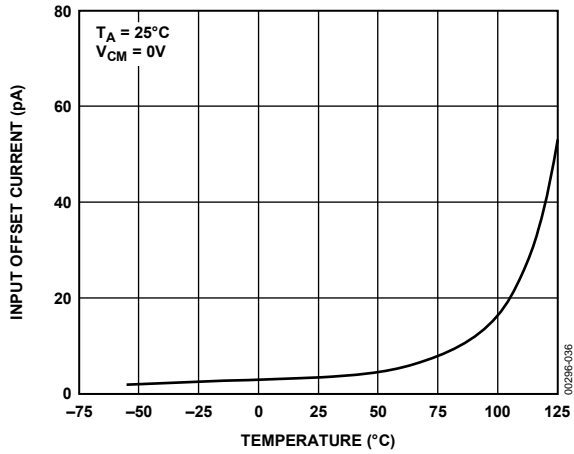


Figure 36. Input Offset Current vs. Temperature



Figure 38. Short-Circuit Output Current vs. Junction Temperature

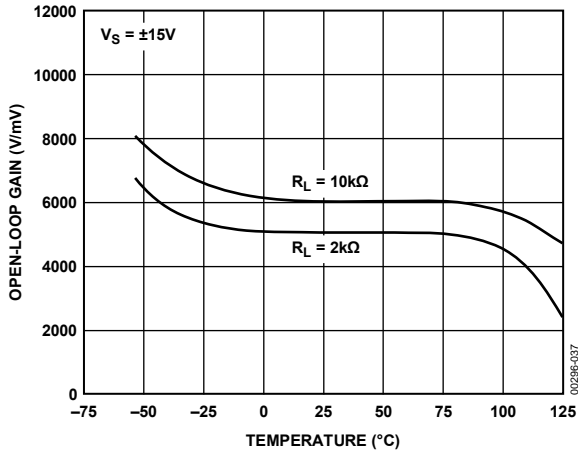


Figure 37. Open-Loop Gain vs. Temperature

APPLICATIONS INFORMATION



Figure 39. Simplified Schematic (1/2 OP249)

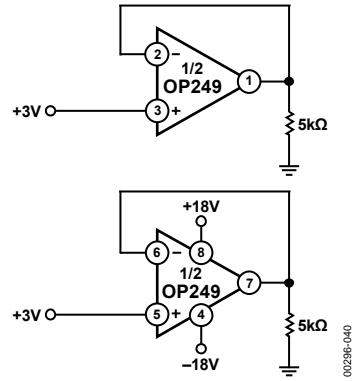
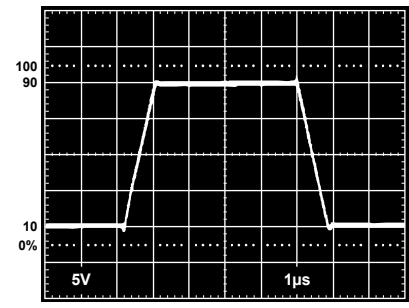


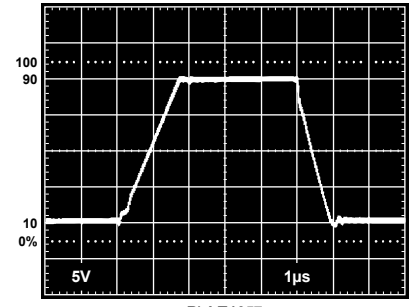
Figure 40. Burn-In Circuit

The OP249 represents a reliable JFET amplifier design, featuring an excellent combination of dc precision and high speed. A rugged output stage provides the ability to drive a 600 Ω load and still maintain a clean ac response. The OP249 features a large signal response that is more linear and symmetric than previously available JFET input amplifiers. Figure 41 compares the large signal response of the OP249 to other industry-standard dual JFET amplifiers.

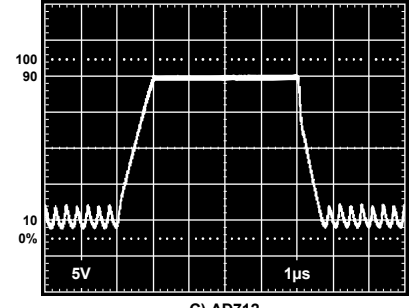
Typically, the slewing performance of the JFET amplifier is specified as a number of V/μs. There is no discussion on the quality, that is, linearity and symmetry of the slewing response.



A) OP249



B) LT1057



C) AD712

Figure 41. Large-Signal Transient Response,  $A_V = 1$ ,  $V_{IN} = 20\text{ V p-p}$ ,  $Z_L = 2\text{ k}\Omega/200\text{ pF}$ ,  $V_S = \pm 15\text{ V}$

The OP249 was carefully designed to provide symmetrically matched slew characteristics in both the negative and positive directions, even when driving a large output load.

The slewing limitation of the amplifier determines the maximum frequency at which a sinusoidal output can be obtained without significant distortion. However, it is important to note that the nonsymmetric slewing typical of previously available JFET amplifiers adds a higher series of harmonic energy content to the resulting response—and an additional dc output component. Examples of potential problems of nonsymmetric slewing behavior can be in audio amplifier applications, where a natural low distortion sound quality is desired and in servo or signal processing systems where a net dc offset cannot be tolerated. The linear and symmetric slewing feature of the OP249 makes it an ideal choice for applications that exceed the full power bandwidth range of the amplifier.



Figure 42. Small-Signal Transient Response,  $A_v = 1$ ,  $Z_L = 2\text{ k}\Omega || 100\text{ pF}$ , No Compensation,  $V_S = \pm 15\text{ V}$

As with most JFET input amplifiers, the output of the OP249 can undergo phase inversion if either input exceeds the specified input voltage range. Phase inversion does not damage the amplifier, nor does it cause an internal latch-up condition.

Supply decoupling should be used to overcome inductance and resistance associated with supply lines to the amplifier. A  $0.1\text{ }\mu\text{F}$  and a  $10\text{ }\mu\text{F}$  capacitor should be placed between each supply pin and ground.

### OPEN-LOOP GAIN LINEARITY

The OP249 has both an extremely high open-loop gain of  $1\text{ kV/mV}$  minimum and constant gain linearity, which enhances its dc precision and provides superb accuracy in high closed-loop gain applications. Figure 43 illustrates the typical open-loop gain linearity—high gain accuracy is assured, even when driving a  $600\text{ }\Omega$  load.

### OFFSET VOLTAGE ADJUSTMENT

The inherent low offset voltage of the OP249 makes offset adjustments unnecessary in most applications. However, where a lower offset error is required, balancing can be performed with simple external circuitry, as shown in Figure 44 and Figure 45.



Figure 43. Open-Loop Gain Linearity; Variation in Open-Loop Gain Results in Errors in High Closed-Loop Gain Circuits;  $R_L = 600\text{ }\Omega$ ,  $V_S = \pm 15\text{ V}$

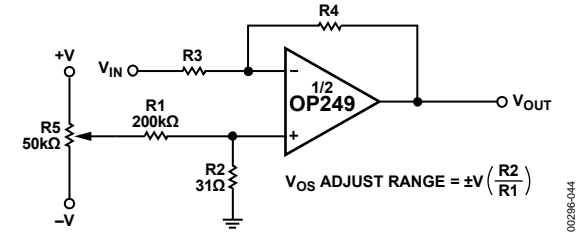


Figure 44. Offset Adjustment for Inverting Amplifier Configuration

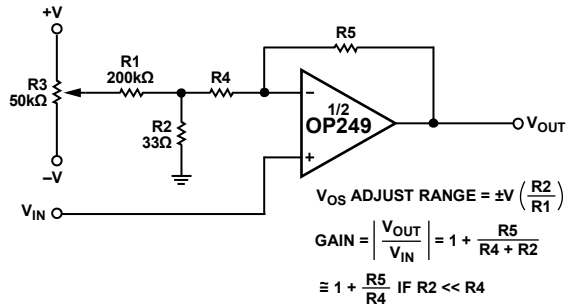


Figure 45. Offset Adjustment for Noninverting Amplifier Configuration

In Figure 44, the offset adjustment is made by supplying a small voltage at the noninverting input of the amplifier. Resistors  $R_1$  and  $R_2$  attenuate the potentiometer voltage, providing a  $\pm 2.5\text{ mV}$  (with  $V_S = \pm 15\text{ V}$ ) adjustment range, referred to the input. Figure 45 shows the offset adjustment for the noninverting amplifier configuration, also providing a  $\pm 2.5\text{ mV}$  adjustment range. As shown in the equations in Figure 45, if  $R_4$  is not much greater than  $R_2$ , a resulting closed-loop gain error must be accounted for.

### SETTLING TIME

The settling time is the time between when the input signal begins to change and when the output permanently enters a prescribed error band. The error bands on the output are  $5\text{ mV}$  and  $0.5\text{ mV}$ , respectively, for  $0.1\%$  and  $0.01\%$  accuracy.

Figure 46 shows the settling time of the OP249, which is typically  $870\text{ ns}$ . Moreover, problems in settling response, such as thermal tails and long-term ringing, are nonexistent.

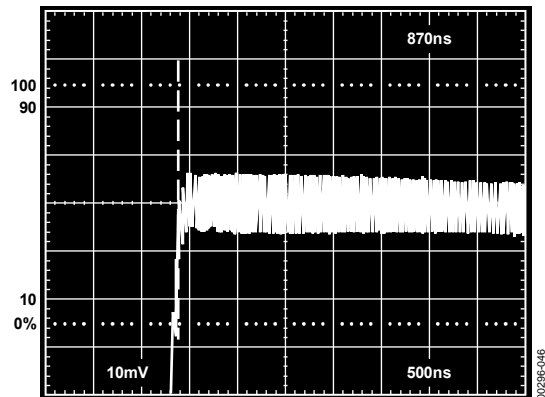


Figure 46. Settling Characteristics of the OP249 to 0.01%

**DAC OUTPUT AMPLIFIER**

Unity-gain stability, a low offset voltage of 300  $\mu\text{V}$  typical, and a fast settling time of 870 ns to 0.01%, makes the OP249 an ideal amplifier for fast DACs.

For CMOS DAC applications, the low offset voltage of the OP249 results in excellent linearity performance. CMOS DACs, such as the PM7545, typically have a code-dependent output resistance variation between 11 k $\Omega$  and 33 k $\Omega$ . The change in output resistance, in conjunction with the 11 k $\Omega$  feedback resistor, results in a noise gain change, which causes variations in the offset error, increasing linearity errors. The OP249 features low offset voltage error, minimizing this effect and maintaining 12-bit linearity performance over the full-scale range of the converter.

Because the DAC output capacitance appears at the inputs of the op amp, it is essential that the amplifier be adequately compensated. Compensation increases the phase margin and ensures an optimal overall settling response. The required lead compensation is achieved with Capacitor C in Figure 48.

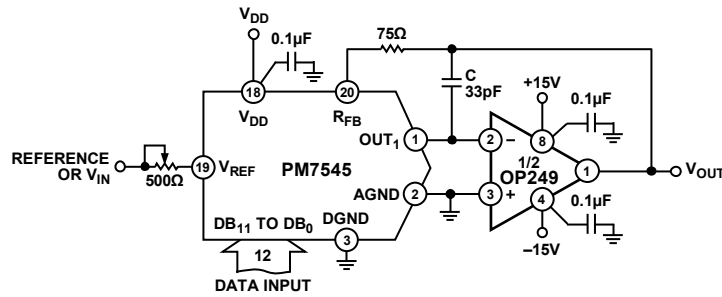


Figure 47. Fast Settling and Low Offset Error of the OP249 Enhances CMOS DAC Performance—Unipolar Operation

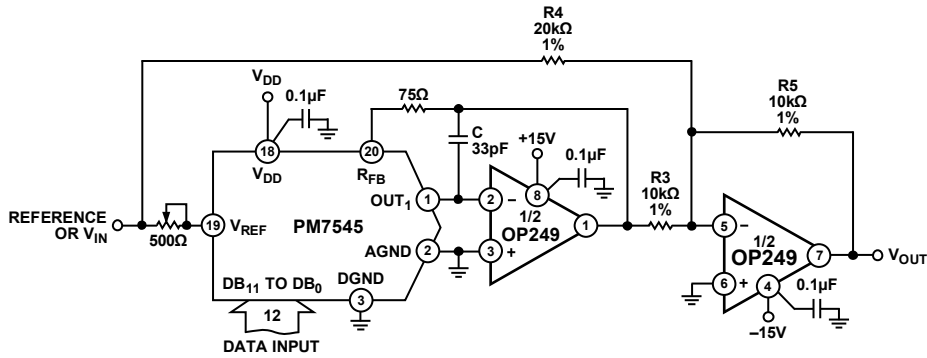


Figure 48. Fast Settling and Low Offset Error of the OP249 Enhances CMOS DAC Performance—Bipolar Operation



Figure 49. Effect of Altering Compensation from Circuit in Figure 47—PM7545 CMOS DAC with 1/2 OP249, Unipolar Operation; Critically Damped Response Is Obtained with  $C \approx 33 \text{ pF}$

Figure 49 illustrates the effect of altering the compensation on the output response of the circuit in Figure 47. Compensation is required to address the combined effect of the output capacitance of the DAC, the input capacitance of the op amp, and any stray capacitance. Slight adjustments to the compensation capacitor may be required to optimize settling response for any given application.

The settling time of the combination of the current output DAC and the op amp can be approximated by

$$t_s \text{ TOTAL} = \sqrt{(t_s \text{ DAC})^2 + (t_s \text{ AMP})^2}$$

The actual overall settling time is affected by the noise gain of the amplifier, the applied compensation, and the equivalent input capacitance at the input of the amplifier.

**DISCUSSION ON DRIVING ADCs**

Settling characteristics of op amps also include the ability of the amplifier to recover, that is, settle, from a transient current output load condition. An example of this includes an op amp driving the input from a SAR-type ADC. Although the comparison point of the converter is usually diode clamped, the input swing of plus-and-minus a diode drop still gives rise to a significant modulation of input current. If the closed-loop output impedance is low enough and bandwidth of the amplifier is sufficiently large, the output settles before the converter makes a comparison decision, which prevents linearity errors or missing codes.

Figure 50 shows a settling measurement circuit for evaluating recovery from an output current transient. An output disturbing current generator provides the transient change in output load current of 1 mA.

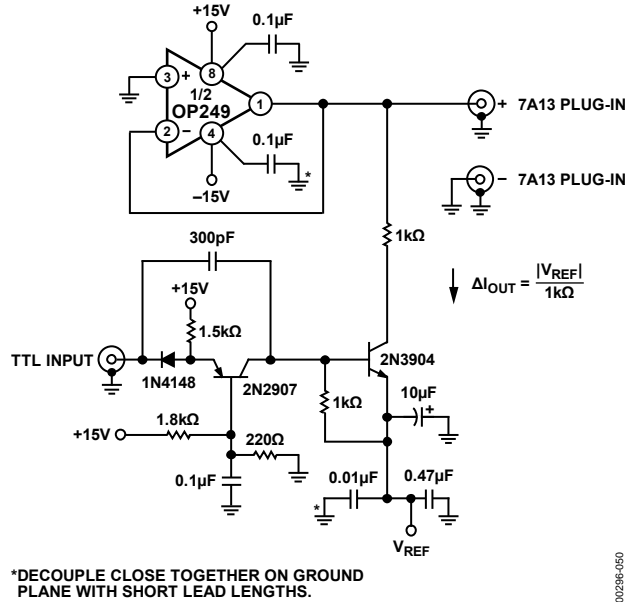


Figure 50. Transient Output Impedance Test Fixture

As seen in Figure 51, the OP249 has an extremely fast recovery of 247 ns (to 0.01%) for a 1 mA load transient. The performance makes it an ideal amplifier for data acquisition systems.

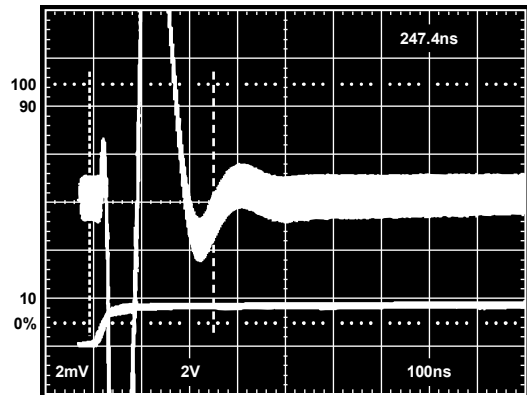
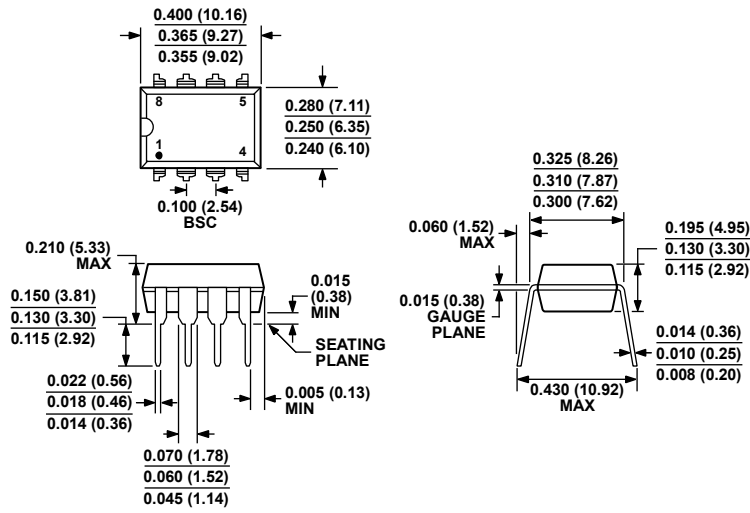


Figure 51. Transient Recovery Time of the OP249 from a 1 mA Load Transient to 0.01%



OUTLINE DIMENSIONS

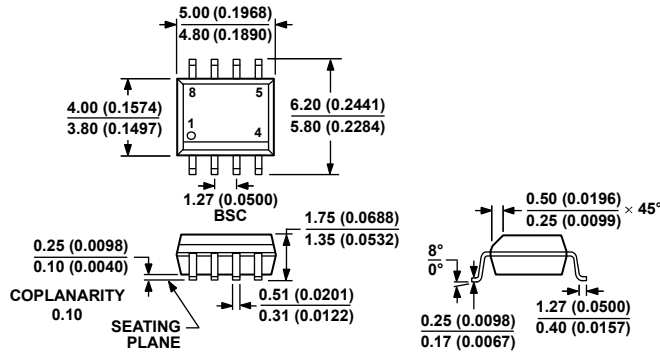


COMPLIANT TO JEDEC STANDARDS MS-001  
 CONTROLLING DIMENSIONS ARE IN INCHES; MILLIMETER DIMENSIONS (IN PARENTHESES) ARE ROUNDED-OFF INCH EQUIVALENTS FOR REFERENCE ONLY AND ARE NOT APPROPRIATE FOR USE IN DESIGN. CORNER LEADS MAY BE CONFIGURED AS WHOLE OR HALF LEADS.

Figure 52. 8-Lead Plastic Dual In-Line Package [PDIP] Narrow Body (N-8)

Dimensions shown in inches and (millimeters)

070606-A

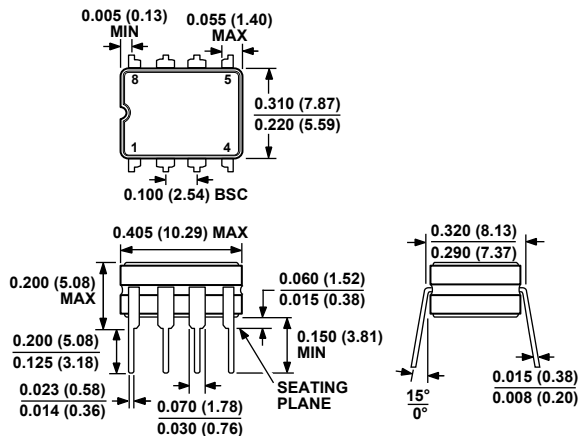


COMPLIANT TO JEDEC STANDARDS MS-012-AA  
 CONTROLLING DIMENSIONS ARE IN MILLIMETERS; INCH DIMENSIONS (IN PARENTHESES) ARE ROUNDED-OFF MILLIMETER EQUIVALENTS FOR REFERENCE ONLY AND ARE NOT APPROPRIATE FOR USE IN DESIGN.

Figure 53. 8-Lead Standard Small Outline Package [SOIC\_N] Narrow Body (R-8)

Dimensions shown in millimeters and (inches)

012407-A



CONTROLLING DIMENSIONS ARE IN INCHES; MILLIMETER DIMENSIONS (IN PARENTHESES) ARE ROUNDED-OFF INCH EQUIVALENTS FOR REFERENCE ONLY AND ARE NOT APPROPRIATE FOR USE IN DESIGN.

Figure 54. 8-Lead Ceramic Dual In-Line Package [CERDIP] (Q-8)

Dimensions shown in inches and (millimeters)

## ORDERING GUIDE

| Model <sup>1</sup> | Temperature Range | Package Description | Package Option |
|--------------------|-------------------|---------------------|----------------|
| OP249AZ            | -55°C to +125°C   | 8-Lead CERDIP       | Q-8            |
| OP249FZ            | -40°C to +85°C    | 8-Lead CERDIP       | Q-8            |
| OP249GP            | -40°C to +85°C    | 8-Lead PDIP         | N-8            |
| OP249GPZ           | -40°C to +85°C    | 8-Lead PDIP         | N-8            |
| OP249GS            | -40°C to +85°C    | 8-Lead SOIC_N       | R-8            |
| OP249GS-REEL       | -40°C to +85°C    | 8-Lead SOIC_N       | R-8            |
| OP249GS-REEL7      | -40°C to +85°C    | 8-Lead SOIC_N       | R-8            |
| OP249GSZ           | -40°C to +85°C    | 8-Lead SOIC_N       | R-8            |
| OP249GSZ-REEL      | -40°C to +85°C    | 8-Lead SOIC_N       | R-8            |
| OP249GSZ-REEL7     | -40°C to +85°C    | 8-Lead SOIC_N       | R-8            |

<sup>1</sup> Z = RoHS Compliant Part.

For military processed devices, see the standard microcircuit drawings (SMD) available at [www.dscc.dla.mil/programs/milspec/default.asp](http://www.dscc.dla.mil/programs/milspec/default.asp).

Table 7.

| SMD Part Number | Analog Devices, Inc. Equivalent |
|-----------------|---------------------------------|
| 5962-9151901M2A | OP249ARCMDA                     |
| 5962-9151901MPA | OP249AZMDA                      |

**NOTES**

**OP249**

**NOTES**

Компания «Life Electronics» занимается поставками электронных компонентов импортного и отечественного производства от производителей и со складов крупных дистрибьюторов Европы, Америки и Азии.

С конца 2013 года компания активно расширяет линейку поставок компонентов по направлению коаксиальный кабель, кварцевые генераторы и конденсаторы (керамические, пленочные, электролитические), за счёт заключения дистрибьюторских договоров

Мы предлагаем:

- Конкуренеспособные цены и скидки постоянным клиентам.
- Специальные условия для постоянных клиентов.
- Подбор аналогов.
- Поставку компонентов в любых объемах, удовлетворяющих вашим потребностям.
- Приемлемые сроки поставки, возможна ускоренная поставка.
- Доставку товара в любую точку России и стран СНГ.
- Комплексную поставку.
- Работу по проектам и поставку образцов.
- Формирование склада под заказчика.
- Сертификаты соответствия на поставляемую продукцию (по желанию клиента).
- Тестирование поставляемой продукции.
- Поставку компонентов, требующих военную и космическую приемку.
- Входной контроль качества.
- Наличие сертификата ISO.

В составе нашей компании организован Конструкторский отдел, призванный помогать разработчикам, и инженерам.

Конструкторский отдел помогает осуществить:

- Регистрацию проекта у производителя компонентов.
- Техническую поддержку проекта.
- Защиту от снятия компонента с производства.
- Оценку стоимости проекта по компонентам.
- Изготовление тестовой платы монтаж и пусконаладочные работы.



Тел: +7 (812) 336 43 04 (многоканальный)

Email: [org@lifeelectronics.ru](mailto:org@lifeelectronics.ru)