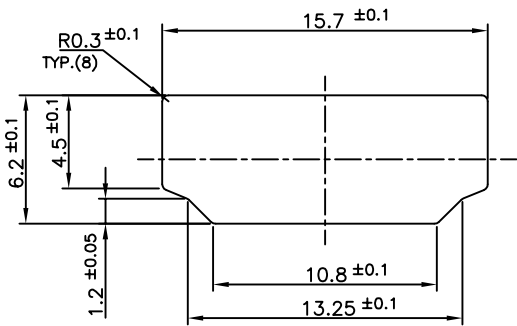
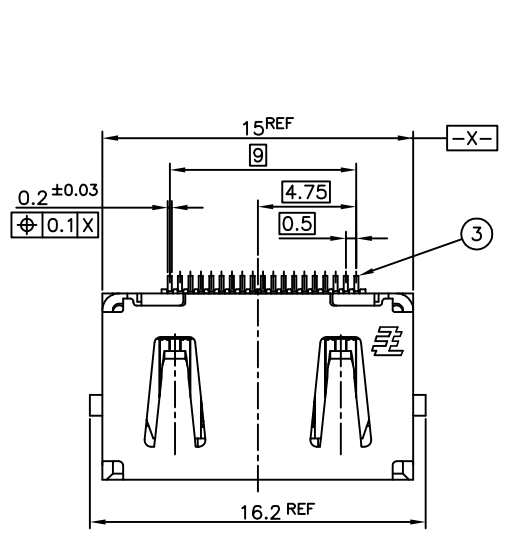
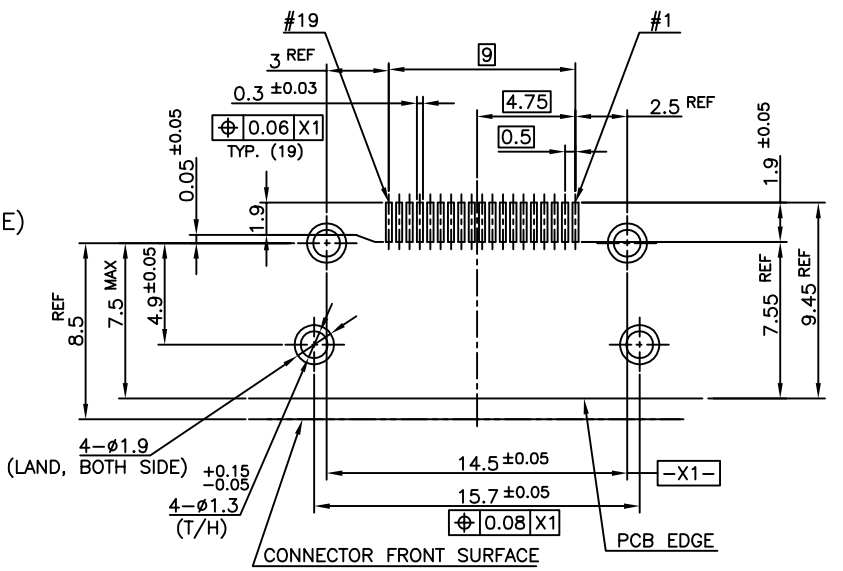


THIS DRAWING IS UNPUBLISHED. RELEASED FOR PUBLICATION SEP ,2005.
 © COPYRIGHT 2005 By - ALL RIGHTS RESERVED.

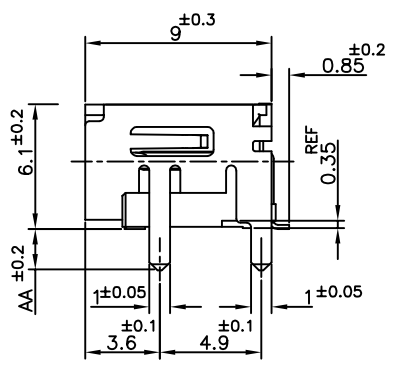
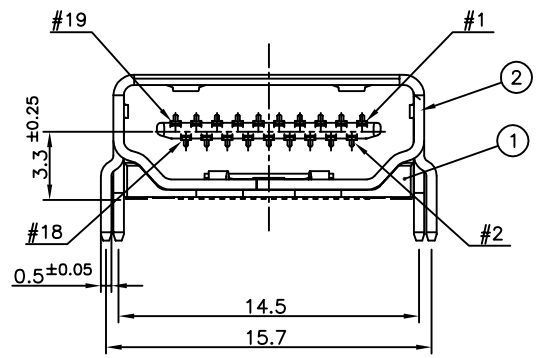
LOC		DIST		REVISIONS			DATE	DWN	APVD
				変更					
P	LTR	DESCRIPTION							
-	-	SEE SHEET 1			-	-	-	-	-



PANEL CUT OUT DIMENSION (REFERENCE)

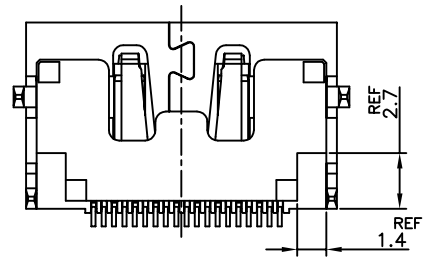


P.C.B LAYOUT (REFERENCE)
 SHOWN AS CONNECTOR MOUNTING SIDE
 TOLERANCE: NON-CUMULATIVE



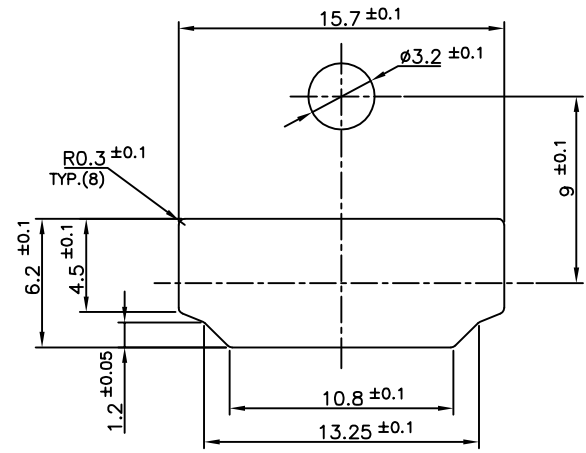
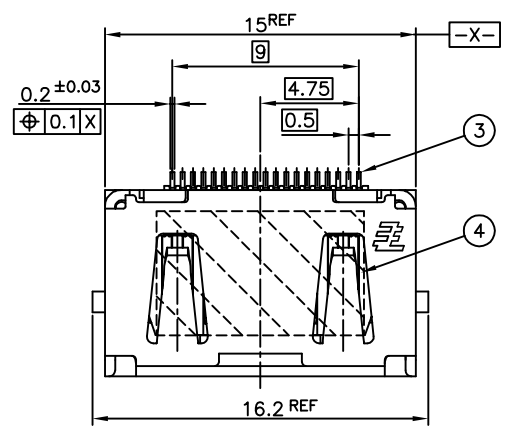
BRASS	CONTACT	(3)
PHOSPHOR BRONZE	SHELL	(2)
GLASS FILLED LCP UL94V-0, BLACK COLOR	HOUSING	(1)
MATERIAL	DESCRIPTION	ITEM

CONNECTOR: WITHOUT FLANGE THROUGH HOLE TYPE

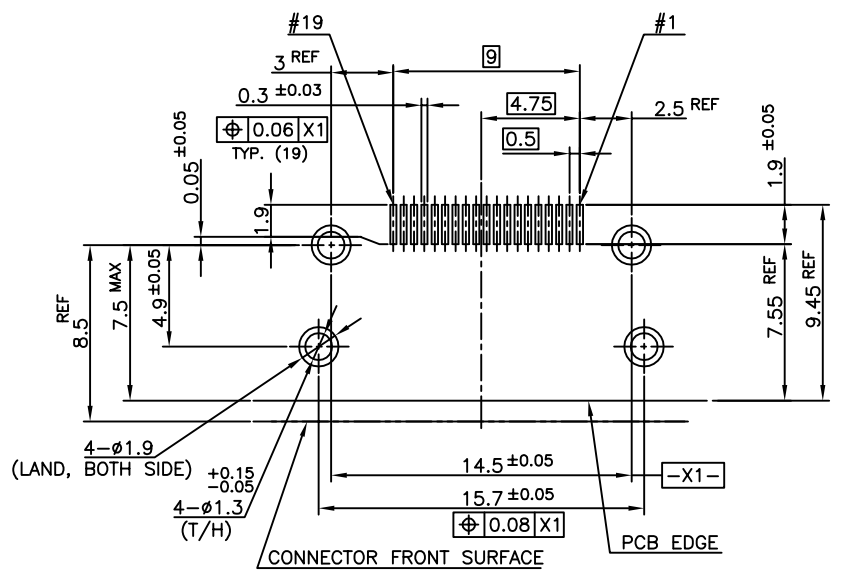


THIS DRAWING IS A CONTROLLED DOCUMENT.		DWN		TE Connectivity NAME 名称 HDMI 19 POS RECEPTACLE ASSY SMT SHORT TYPE	
DIMENSIONS: 單位: 毫米 mm		CHK			
TOLERANCES UNLESS OTHERWISE SPECIFIED: 一般公差		APVD		SIZE A3	
0 PLC ±		PRODUCT SPEC 製品規格		CAGE CODE 00779	
1 PLC ±		APPLICATION SPEC 取付適用規格		DRAWING NO. C=1903015	
2 PLC ±		WEIGHT		RESTRICTED TO	
3 PLC ±		CUSTOMER DRAWING		SCALE 尺度 4:1	
4 PLC ±				SHEET 2 OF 12	
ANGLES ±				REV R	
FINISH 仕上					

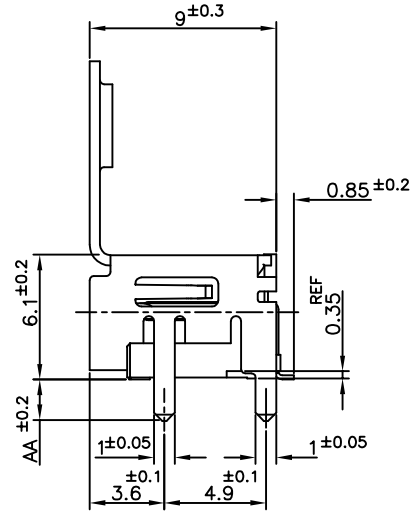
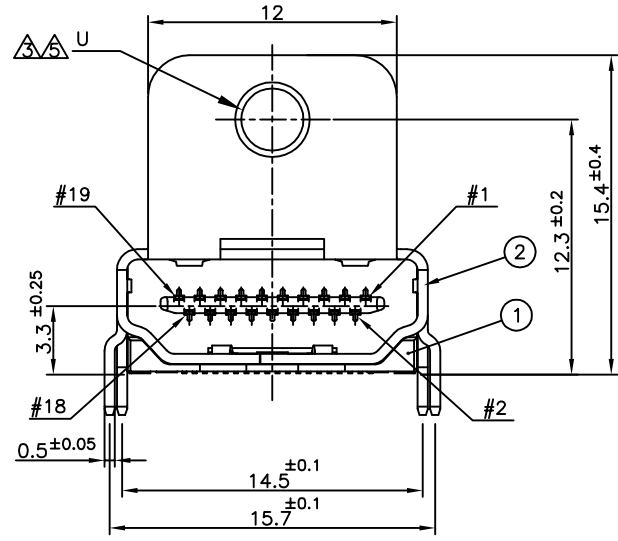
LOC	DIST	REVISIONS				
		P	LTR	DATE	DWN	APVD
		SEE SHEET 1				



PANEL CUT OUT DIMENSION (REFERENCE)

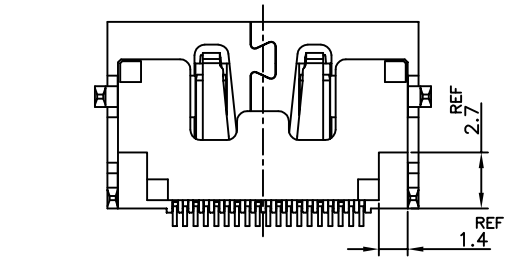


P.C.B LAYOUT (REFERENCE)
SHOWN AS CONNECTOR MOUNTING SIDE
TOLERANCE: NON-CUMULATIVE



CONNECTOR: WITH FLANGE THROUGH HOLE TYPE

MATERIAL	DESCRIPTION	ITEM
POLYIMIDE	TAPE	④
BRASS	CONTACT	③
PHOSPHOR BRONZE	SHELL	②
GLASS FILLED LCP UL94V-0, BLACK COLOR	HOUSING	①

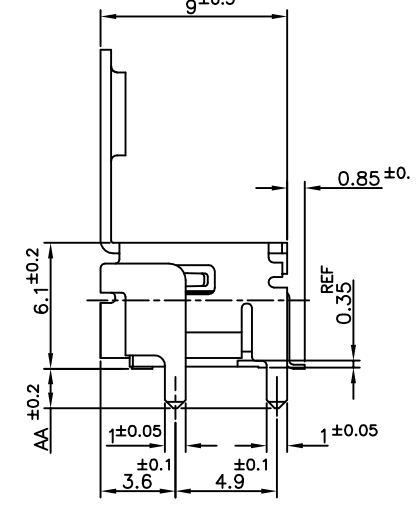
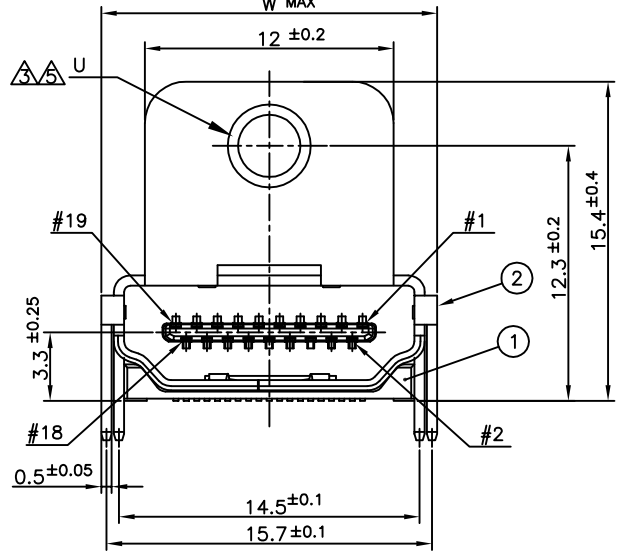
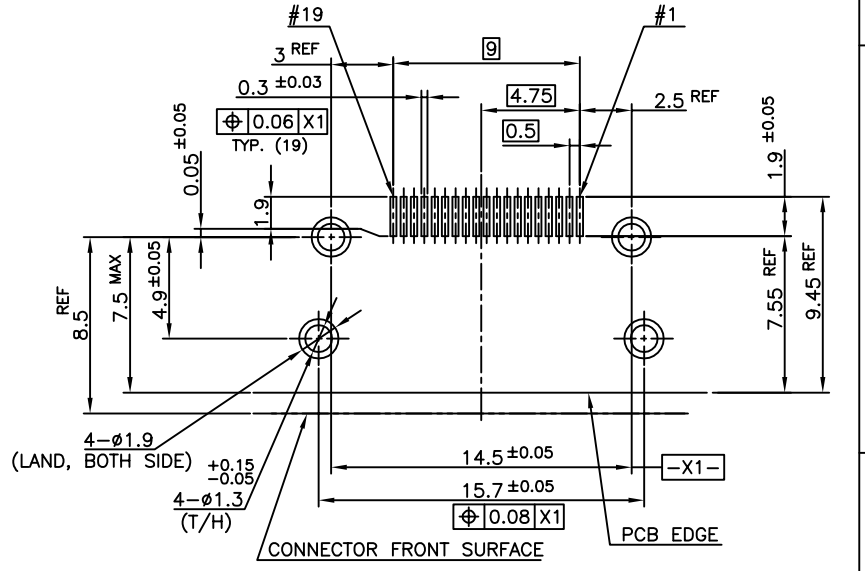
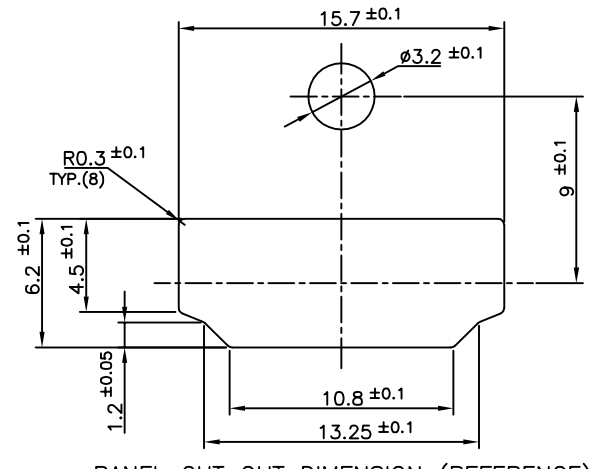
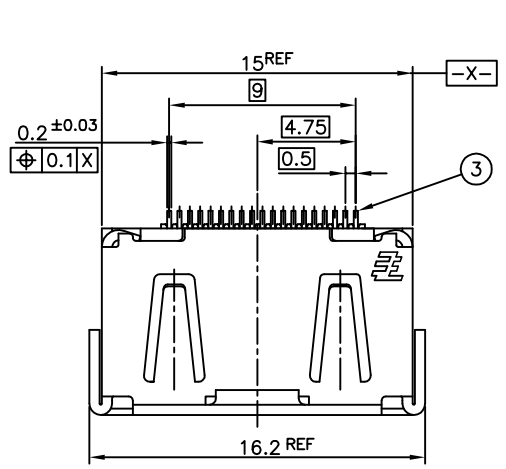


THIS DRAWING IS A CONTROLLED DOCUMENT.

DIMENSIONS: 單位: 毫米 mm	TOLERANCES UNLESS OTHERWISE SPECIFIED: 一般公差	DWN	CHK	APVD	NAME 名稱
0 PLC ±	1 PLC ±	PRODUCT SPEC 製品規格	HDMI 19 POS RECEPTACLE ASSY SMT SHORT TYPE		
2 PLC ±	3 PLC ±	APPLICATION SPEC 取付適用規格	SIZE	CAGE CODE	DRAWING NO 番號
4 PLC ±	ANGLES ±	WEIGHT	A3	00779	G=1903015
MATERIAL 材料	FINISH 仕上	CUSTOMER DRAWING	SCALE 尺度	SHEET 張數	REV
			4:1	3 OF 12	R

THIS DRAWING IS UNPUBLISHED. RELEASED FOR PUBLICATION SEP ,2005.
 © COPYRIGHT 2005 By - ALL RIGHTS RESERVED.

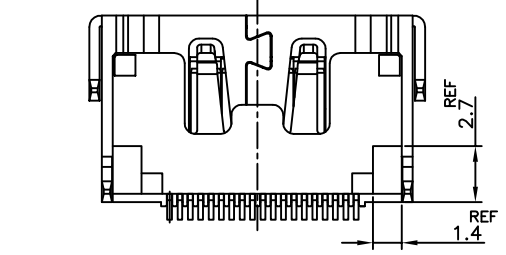
LOC		DIST		REVISIONS			DATE	DWN	APVD
				變更					
P	LTR	DESCRIPTION							
-	-	SEE SHEET 1			-	-	-	-	-



P.C.B LAYOUT (REFERENCE)
 SHOWN AS CONNECTOR MOUNTING SIDE
 TOLERANCE: NON-CUMULATIVE

POLYIMIDE	TAPE	(4)
BRASS	CONTACT	(3)
PHOSPHOR BRONZE	SHELL	(2)
GLASS FILLED LCP UL94V-0, BLACK COLOR	HOUSING	(1)
MATERIAL	DESCRIPTION	ITEM

CONNECTOR: WITH FLANGE THROUGH HOLE TYPE



THIS DRAWING IS A CONTROLLED DOCUMENT.

DIMENSIONS: 單位: 毫米 mm	TOLERANCES UNLESS OTHERWISE SPECIFIED: 一般公差	DWN	CHK	APVD	NAME 名稱
0 PLC ±	1 PLC ±	PRODUCT SPEC 製品規格	APPLICATION SPEC 取付適用規格	WEIGHT	SIZE
2 PLC ±	3 PLC ±	4 PLC ANGLES ±	FINISH 仕上	CUSTOMER DRAWING	CAGE CODE
MATERIAL 材料					DRAWING NO
					SCALE 尺度 4:1
					SHEET 4 OF 12
					REV R

TE Connectivity
 HDMI 19 POS RECEPTACLE ASSY
 SMT SHORT TYPE

A3 00779 G=1903015

THIS DRAWING IS UNPUBLISHED.

RELEASED FOR PUBLICATION

SEP ,2005.

© COPYRIGHT 2005 By -

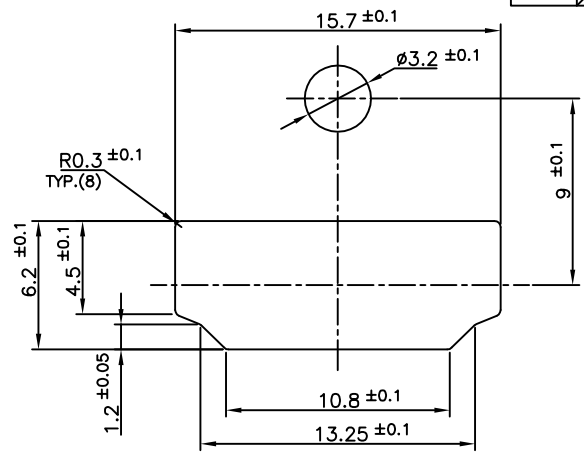
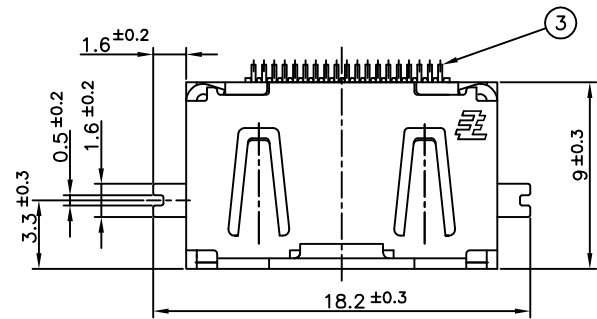
ALL RIGHTS RESERVED.

LOC DIST

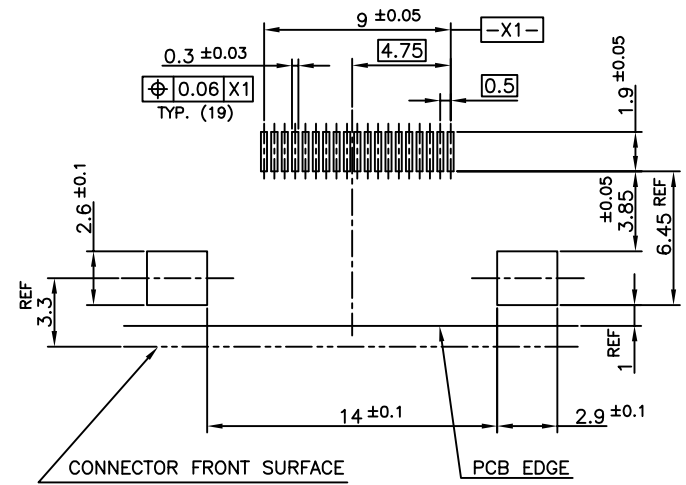
REVISIONS

変更

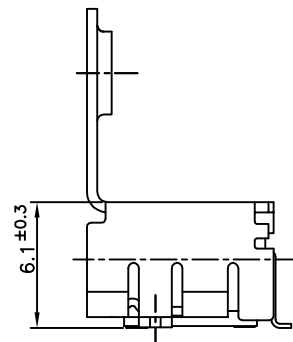
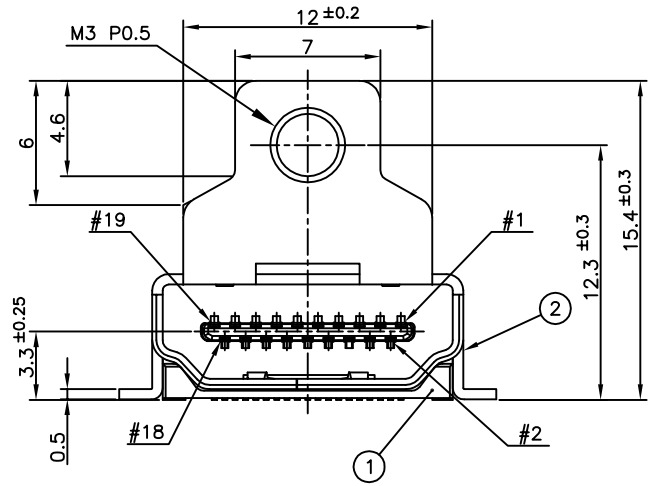
P	LTR	DESCRIPTION	DATE	DWN	APVD
-	-	SEE SHEET 1	-	-	-



PANEL CUT OUT DIMENSION (REFERENCE)

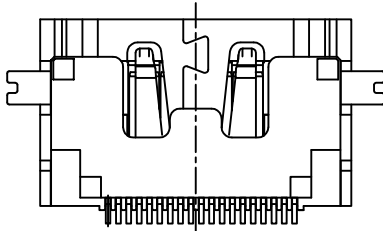


P.C.B LAYOUT (REFERENCE)
SHOWN AS CONNECTOR MOUNTING SIDE
TOLERANCE: NON-CUMULATIVE



CONNECTOR: WITH FLANGE FULL SMT TYPE

BRASS	CONTACT	③
PHOSPHOR BRONZE	SHELL	②
GLASS FILLED LCP UL94V-0, BLACK COLOR	HOUSING	①
MATERIAL	DESCRIPTION	ITEM



THIS DRAWING IS A CONTROLLED DOCUMENT.

DIMENSIONS: 單位: 毫米 mm	TOLERANCES UNLESS OTHERWISE SPECIFIED: 一般公差	DWN	CHK	APVD	NAME 名稱
	0 PLC ±	PRODUCT SPEC 製品規格	 TE Connectivity HDMI 19 POS RECEPTACLE ASSY SMT SHORT TYPE		
	1 PLC ±	APPLICATION SPEC 取付適用規格			
	2 PLC ±	WEIGHT			
	3 PLC ±	CUSTOMER DRAWING			
4 PLC ±	FINISH 仕上	SIZE A3	CAGE CODE 00779	DRAWING NO C=1903015	RESTRICTED TO
ANGLES ±		SCALE 尺度 4:1	SHEET 5 of 12	REV R	

4

3

2

1

THIS DRAWING IS UNPUBLISHED.

RELEASED FOR PUBLICATION

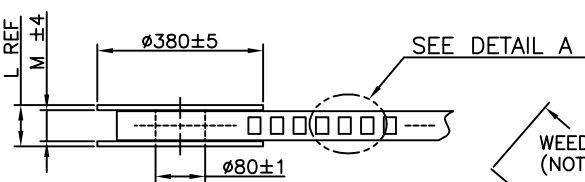
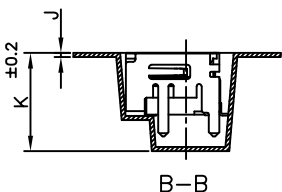
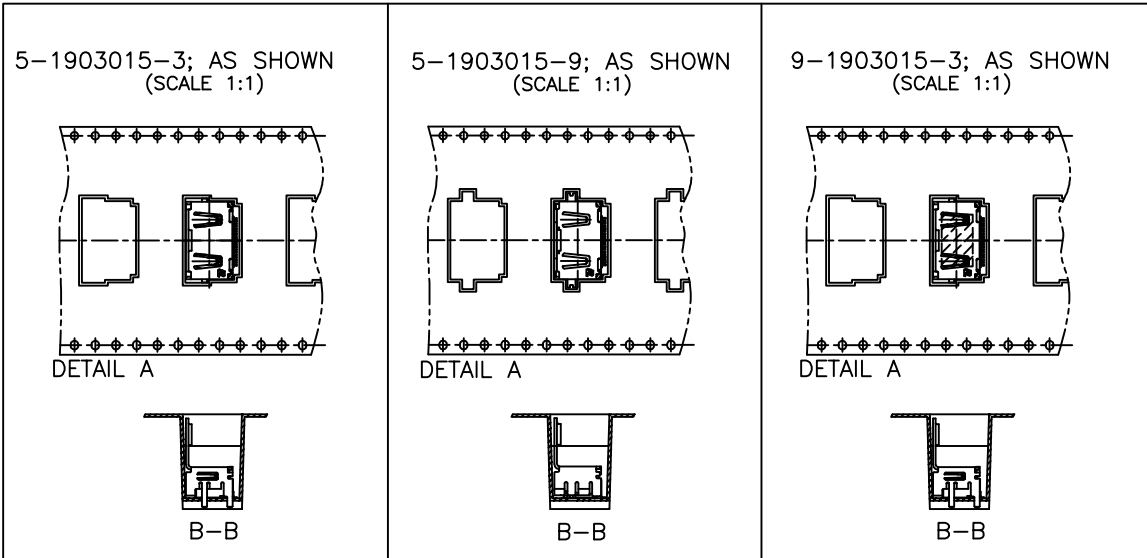
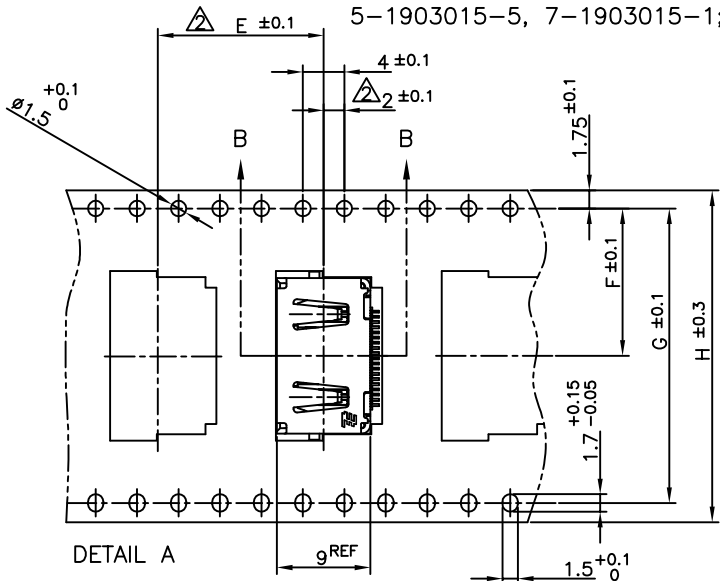
SEP, 2005.

© COPYRIGHT 2005 By -

ALL RIGHTS RESERVED.

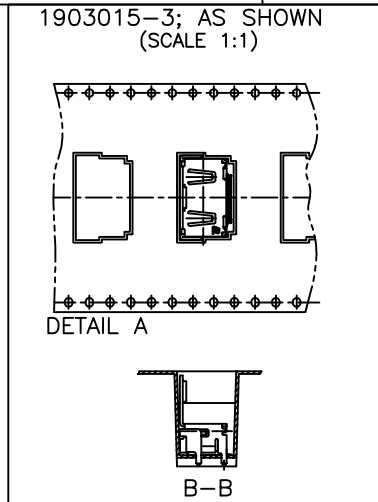
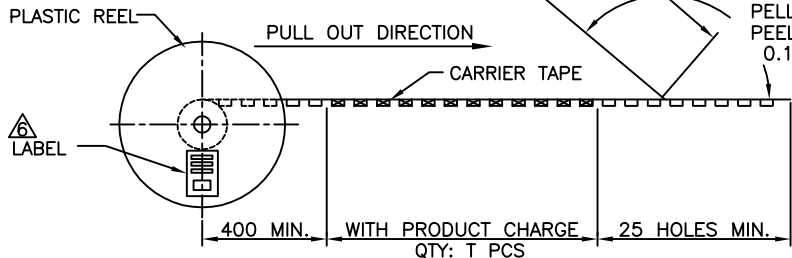
1903015-1, 2-1903015-2, 5-1903015-1
5-1903015-5, 7-1903015-1; AS SHOWN

LOC		DIST		REVISIONS			DATE	DWN	APVD
				変更					
P	LTR	DESCRIPTION							
-	-	SEE SHEET 1			-	-	-	-	-



△ LABEL DESCRIPTION
TYCO P/N: *-1903015-*
QTY: * pcs
D/C: MADE IN CHINA

PELLING ANGLE: 165°~180°
PEELING STRENGTH: 0.1~0.7N (300mm/min.)



MATERIAL	DESCRIPTION
PET	COVER TAPE
PS	CARRIER TAPE
PLASTIC	REEL

THIS DRAWING IS A CONTROLLED DOCUMENT.

DIMENSIONS: 單位: 毫米 mm	TOLERANCES UNLESS OTHERWISE SPECIFIED: 一般公差	DWN	TE Connectivity	
0 PLC ±	1 PLC ±	CHK	HDMI 19 POS RECEPTACLE ASSY SMT SHORT TYPE	
2 PLC ±	3 PLC ±	APVD	NAME 名稱	RESTRICTED TO
4 PLC ±	ANGLES ±	PRODUCT SPEC 製品規格	SIZE	CAGE CODE
MATERIAL 材料	FINISH 仕上	APPLICATION SPEC 取付適用規格	A3	00779
		WEIGHT	DRAWING NO 番号	C=1903015
		CUSTOMER DRAWING	SCALE 尺度 4:1	SHEET 6 OF 12
			REV R	

THIS DRAWING IS UNPUBLISHED.

RELEASED FOR PUBLICATION

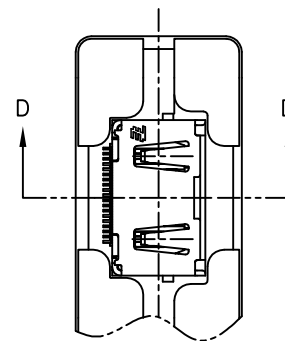
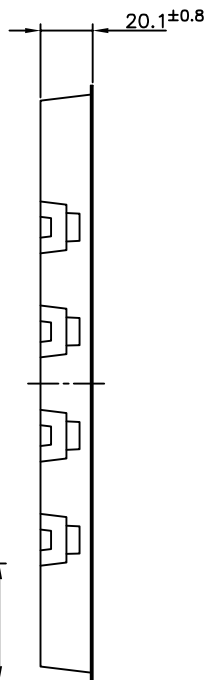
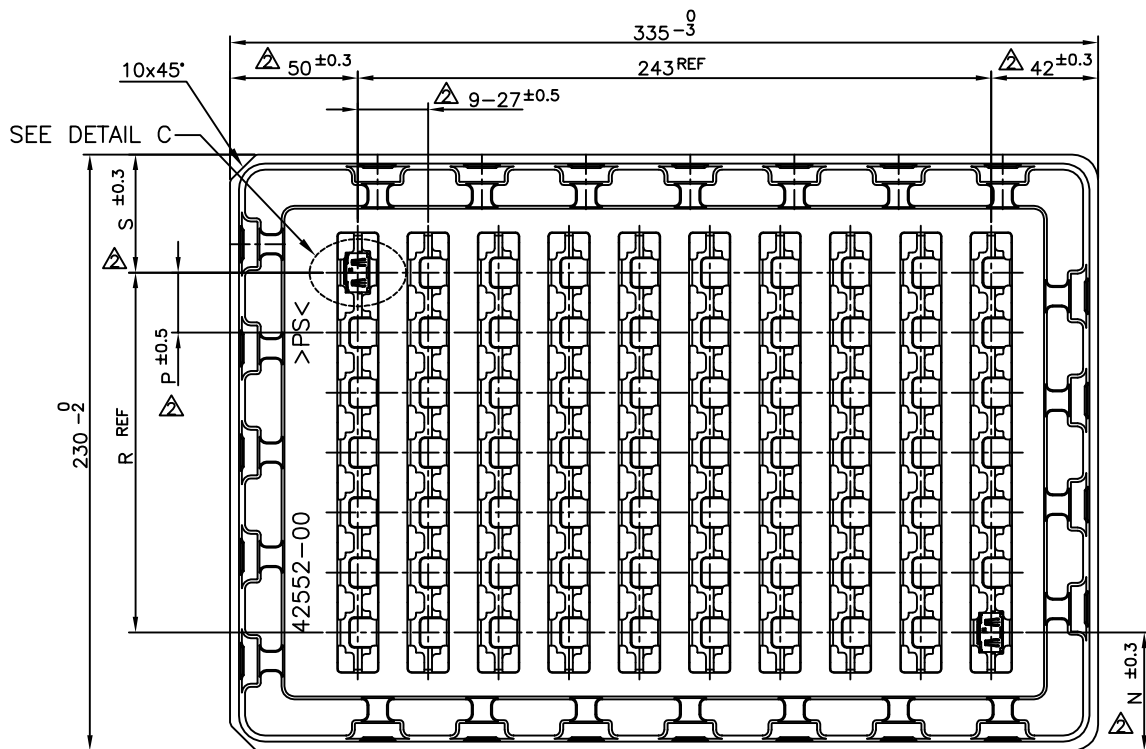
SEP ,2005.

© COPYRIGHT 2005 By -

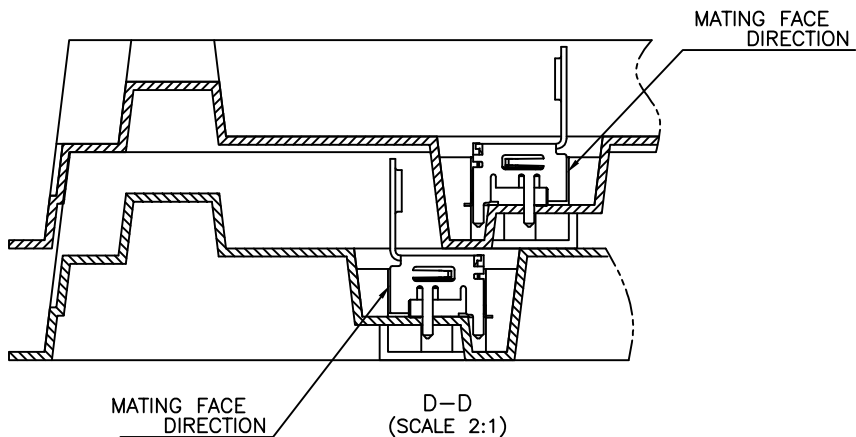
ALL RIGHTS RESERVED.

1903015-2, 1903015-5, 4-1903015-1, 5-1903015-2, 5-1903015-4
8-1903015-4, 9-1903015-4; AS SHOWN

LOC	DIST	REVISIONS			DATE	DWN	APVD
		P	LTR	DESCRIPTION			
		-	-	SEE SHEET 1	-	-	-



DETAIL C (SCALE 2:1)



THIS DRAWING IS A CONTROLLED DOCUMENT.

DIMENSIONS:
單位: 毫米
mm

TOLERANCES UNLESS
OTHERWISE SPECIFIED:
一般公差

- 0 PLC ±
- 1 PLC ±
- 2 PLC ±
- 3 PLC ±
- 4 PLC ±
- ANGLES ±
- FINISH 仕上

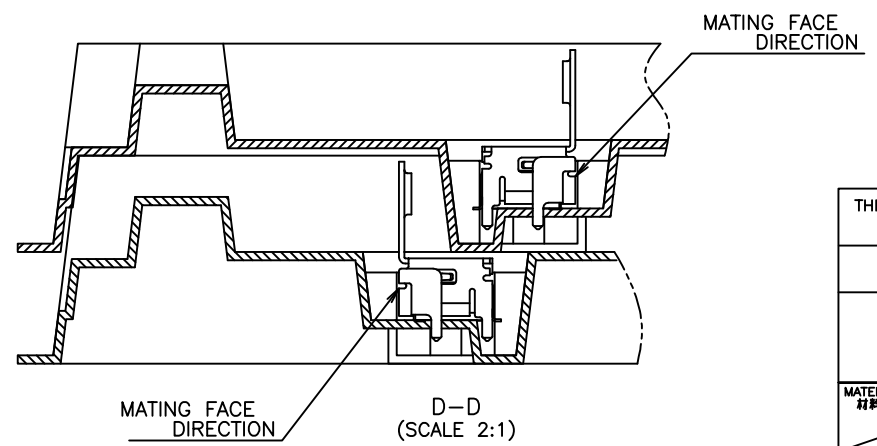
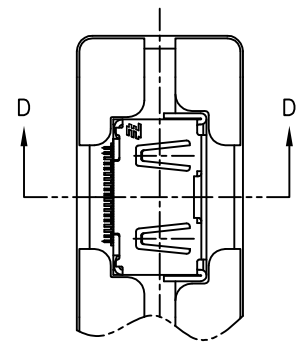
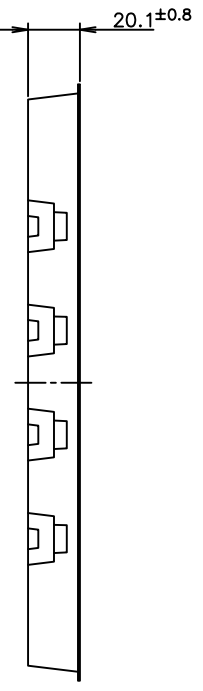
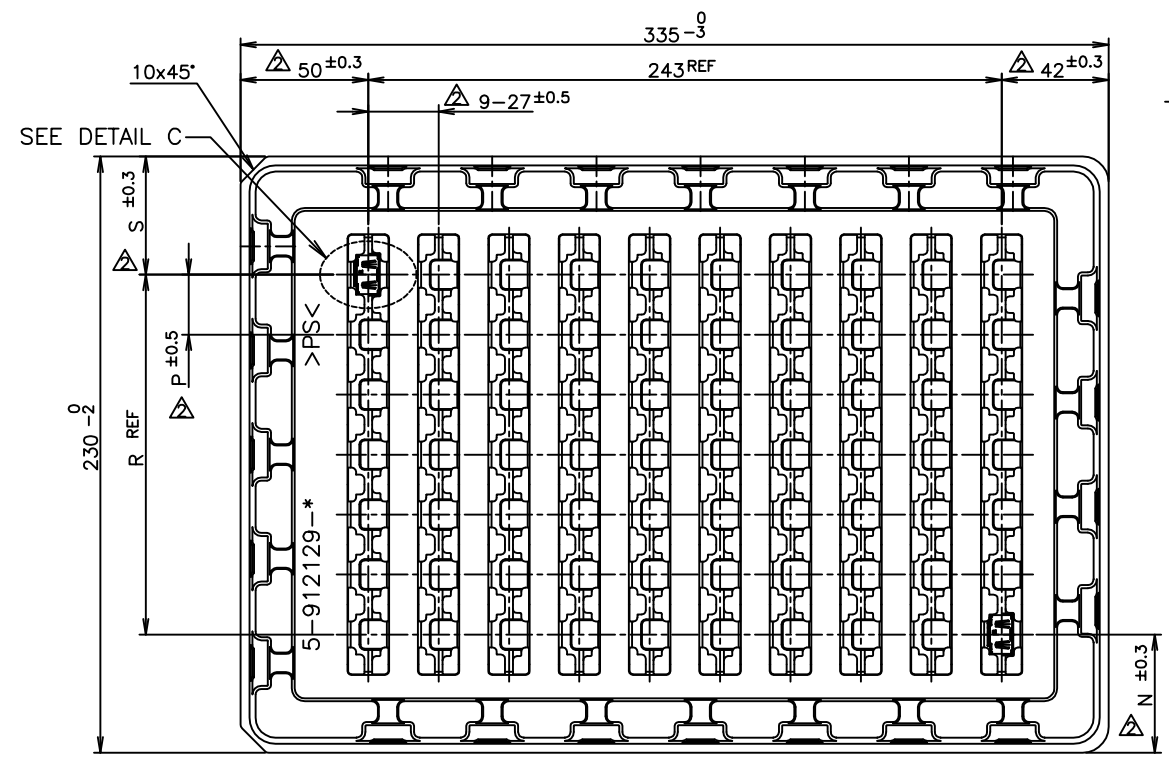
MATERIAL
材料

CHK
APVD
PRODUCT SPEC 製品規格
APPLICATION SPEC 取付適用規格
WEIGHT
CUSTOMER DRAWING

DWN		PS MATERIAL		TE Connectivity	
CHK		TRAY DESCRIPTION		HDMI 19 POS RECEPTACLE ASSY SMT SHORT TYPE	
APVD		NAME 名称		SIZE A3	
PRODUCT SPEC		DRAWING NO 番号		CAGE CODE 00779	
APPLICATION SPEC		REV		DRAWING NO C=1903015	
WEIGHT		SCALE 尺度		SHEET 7 OF 12	
CUSTOMER DRAWING		RESTRICTED TO		REV R	

1903015-4; AS SHOWN

LOC		DIST		REVISIONS				
				変更		DATE	DWN	APVD
P	LTR	DESCRIPTION						
-	-	SEE SHEET 1		-	-	-	-	-



THIS DRAWING IS A CONTROLLED DOCUMENT.		DWN		TE Connectivity	
DIMENSIONS: 單位: 毫米 mm		TOLERANCES UNLESS OTHERWISE SPECIFIED: 一般公差		NAME 名稱	
<ul style="list-style-type: none"> 0 PLC ± 1 PLC ± 2 PLC ± 3 PLC ± 4 PLC ± ANGLES ± 		<ul style="list-style-type: none"> CHK APVD PRODUCT SPEC 製品規格 APPLICATION SPEC 取付適用規格 WEIGHT 		HDMI 19 POS RECEPTACLE ASSY SMT SHORT TYPE	
MATERIAL 材料		FINISH 仕上		SIZE CAGE CODE DRAWING NO 番号	
				A3 00779 C=1903015	
		CUSTOMER DRAWING		RESTRICTED TO	
		SCALE 尺度 4:1		SHEET 8 of 12	
				REV R	

THIS DRAWING IS UNPUBLISHED.

RELEASED FOR PUBLICATION

SEP, 2005.

ALL RIGHTS RESERVED.

© COPYRIGHT 2005 By -

LOC	DIST
-	-

REVISIONS

変更

DESCRIPTION

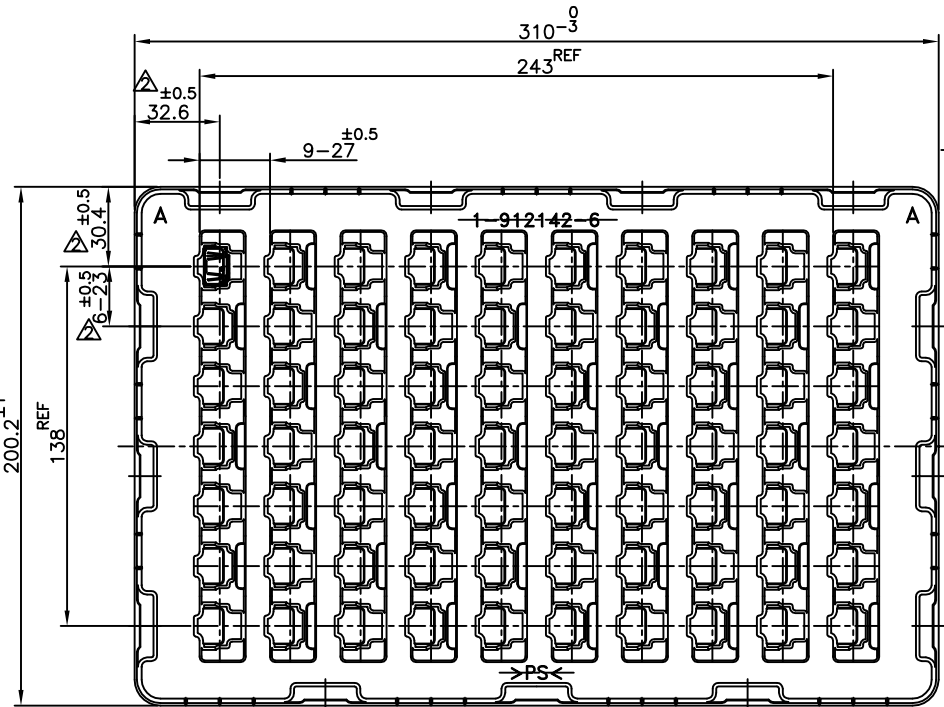
DATE

DWN

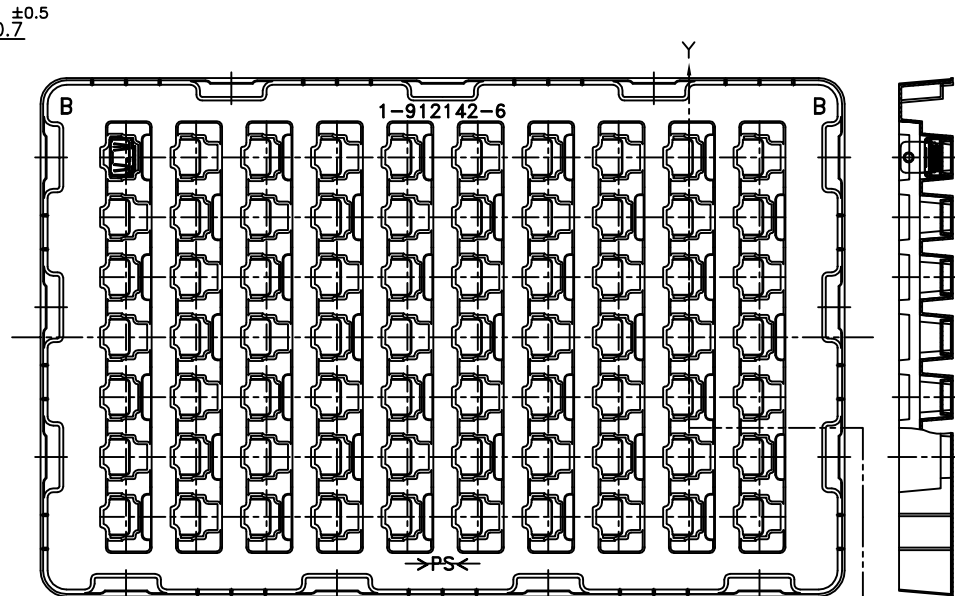
APVD

SEE SHEET 1

8-1903015-4; AS SHOWN

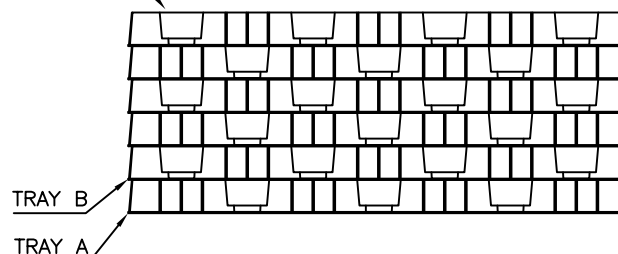


TRAY A

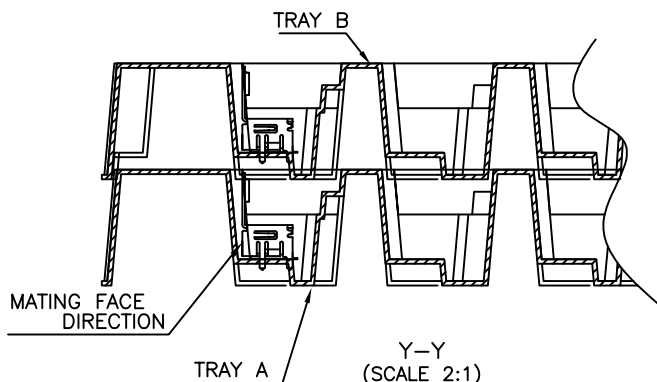


TRAY B

TRAY B (EMPTY)



TRAY B
TRAY A



Y-Y
(SCALE 2:1)

PS	TRAY
MATERIAL	DESCRIPTION

THIS DRAWING IS A CONTROLLED DOCUMENT.

DIMENSIONS: 單位: 毫米 mm	TOLERANCES UNLESS OTHERWISE SPECIFIED: 一般公差	DWN	TE Connectivity												
<table border="1"> <tr><td>0 PLC</td><td>±</td></tr> <tr><td>1 PLC</td><td>±</td></tr> <tr><td>2 PLC</td><td>±</td></tr> <tr><td>3 PLC</td><td>±</td></tr> <tr><td>4 PLC</td><td>±</td></tr> <tr><td>4 PLC ANGLES</td><td>±</td></tr> </table>	0 PLC	±		1 PLC	±	2 PLC	±	3 PLC	±	4 PLC	±	4 PLC ANGLES	±	FINISH 仕上	CHK
0 PLC	±														
1 PLC	±														
2 PLC	±														
3 PLC	±														
4 PLC	±														
4 PLC ANGLES	±														
MATERIAL 材料		APVD	HDMI 19 POS RECEPTACLE ASSY SMT SHORT TYPE												
		PRODUCT SPEC 製品規格	SIZE CAGE CODE DRAWING NO A3 00779 C=1903015												
		APPLICATION SPEC 取付適用規格	RESTRICTED TO 番号												
		WEIGHT	SCALE 尺度 4:1												
		CUSTOMER DRAWING	SHEET 10 OF 12												
			REV R												

4

3

2

1

THIS DRAWING IS UNPUBLISHED.

RELEASED FOR PUBLICATION

SEP ,2005.

© COPYRIGHT 2005 By -

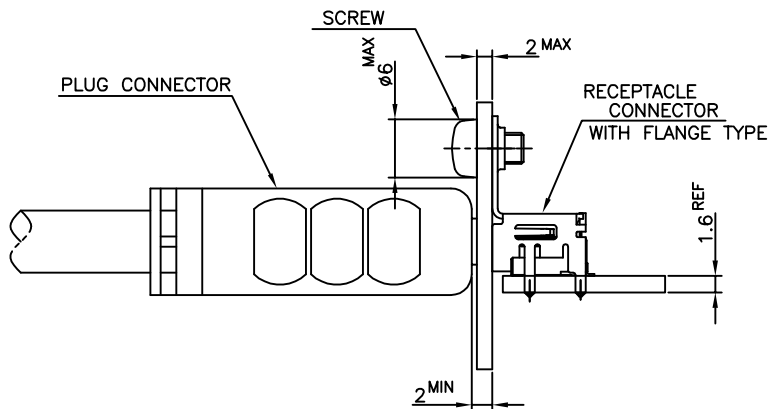
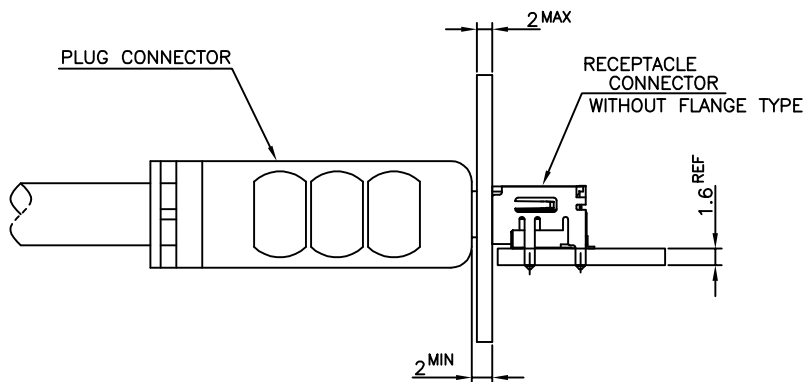
ALL RIGHTS RESERVED.

LOC	DIST
-	-

REVISIONS

変更

P	LTR	DESCRIPTION	DATE	DWN	APVD
-	-	SEE SHEET 1	-	-	-



MATING CONDITION (REFERENCE)
(SCALE 2:1)

THIS DRAWING IS A CONTROLLED DOCUMENT.		DWN		TE TE Connectivity	
DIMENSIONS: 單位: 話 mm		CHK			
TOLERANCES UNLESS OTHERWISE SPECIFIED: 一般公差		APVD		NAME 名稱	
0 PLC ±		PRODUCT SPEC 製品規格		HDMI 19 POS RECEPTACLE ASSY SMT SHORT TYPE	
1 PLC ±		APPLICATION SPEC 取付適用規格		SIZE CAGE CODE DRAWING NO 番号	
2 PLC ±		WEIGHT		A3 00779 C=1903015	
3 PLC ±		CUSTOMER DRAWING		RESTRICTED TO	
4 PLC ±		SCALE 尺度 4:1		SHEET 11 OF 12	
ANGLES ±		FINISH 仕上		REV R	
MATERIAL 材料					

THIS DRAWING IS PUBLISHED.

NOT BASED FOR PUBLICATION

SEP., 2005.

ALL RIGHTS RESERVED.

LOC

DIST

REV

DESCRIPTION

DATE

DWN

APVD

P

LTR

SEE SHEET 1

P/N:6-1903015-3

D

D

C

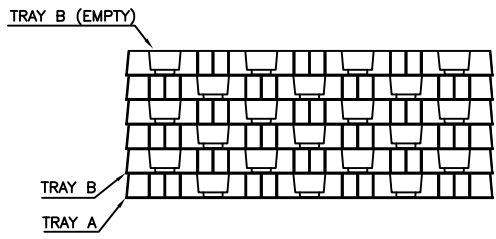
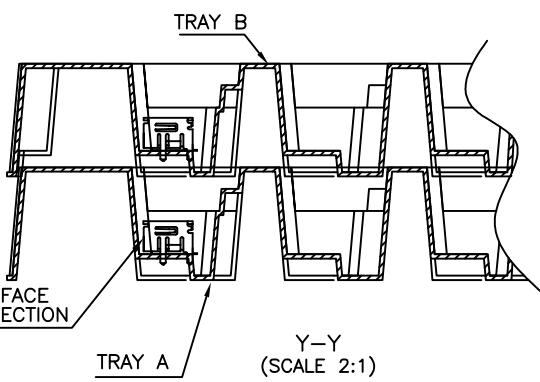
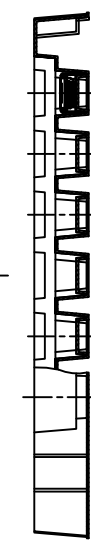
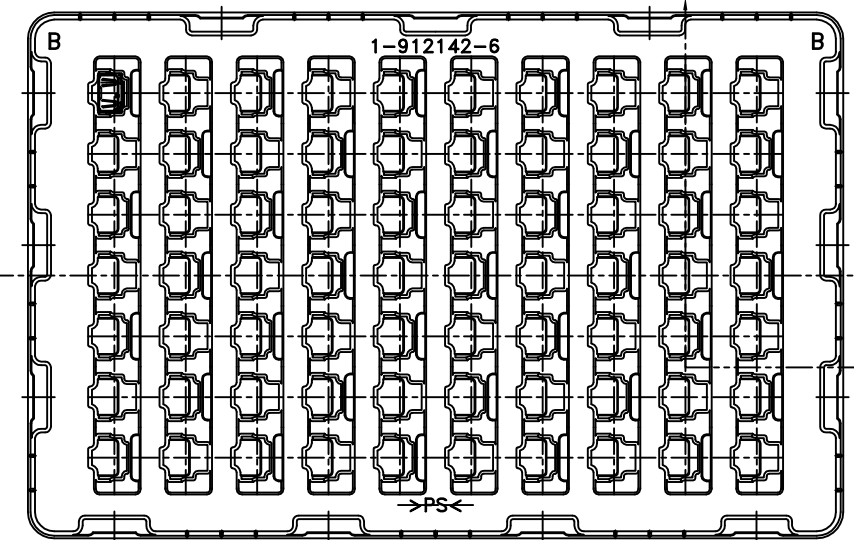
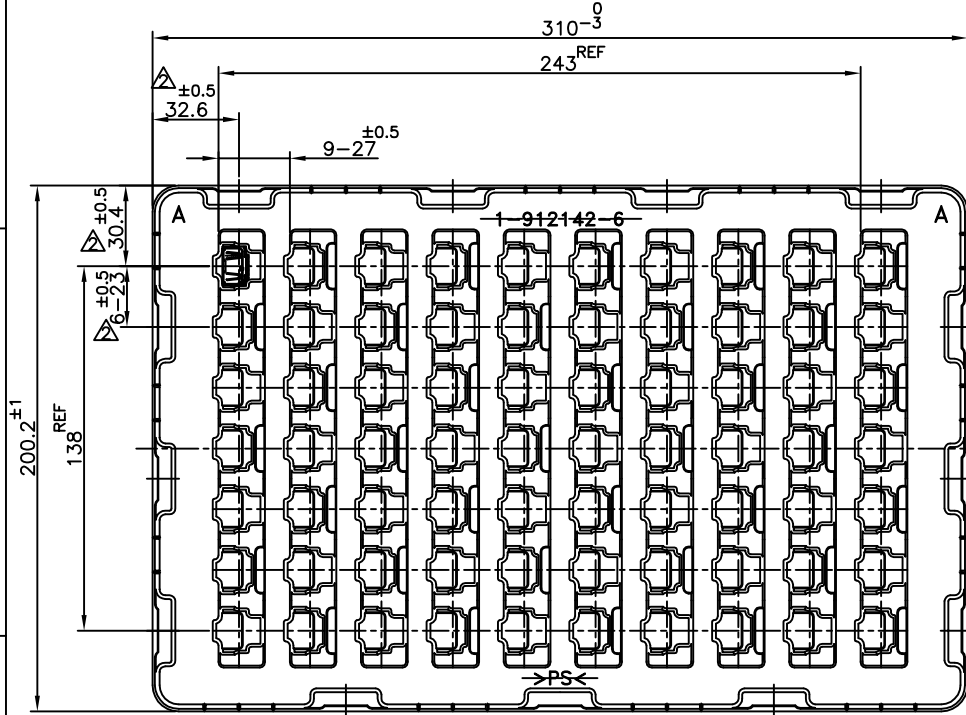
C

B

B

A

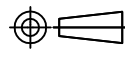
A



THIS DRAWING IS A CONTROLLED DOCUMENT.

DIMENSIONS: 單位: 毫米 mm

TOLERANCES UNLESS OTHERWISE SPECIFIED: 一般公差



- 0 PLC ±
- 1 PLC ±
- 2 PLC ±
- 3 PLC ±
- 4 PLC ANGLE ±

MATERIAL 材料

FINISH 仕上

DWN
CHK
APVD
PRODUCT SPEC 製品規格
APPLICATION SPEC 取付適用規格
WEIGHT
CUSTOMER DRAWING

NAME 名稱		TE Connectivity		RESTRICTED TO	
HDMI 19 POS RECEPTACLE ASSY				-	
SMT SHORT TYPE				-	
SIZE	CAGE CODE	DRAWING NO 番号			
A3	00779	C=1903015			

PS	TRAY
MATERIAL	DESCRIPTION

Компания «Life Electronics» занимается поставками электронных компонентов импортного и отечественного производства от производителей и со складов крупных дистрибьюторов Европы, Америки и Азии.

С конца 2013 года компания активно расширяет линейку поставок компонентов по направлению коаксиальный кабель, кварцевые генераторы и конденсаторы (керамические, пленочные, электролитические), за счёт заключения дистрибьюторских договоров

Мы предлагаем:

- Конкурентоспособные цены и скидки постоянным клиентам.
- Специальные условия для постоянных клиентов.
- Подбор аналогов.
- Поставку компонентов в любых объемах, удовлетворяющих вашим потребностям.
- Приемлемые сроки поставки, возможна ускоренная поставка.
- Доставку товара в любую точку России и стран СНГ.
- Комплексную поставку.
- Работу по проектам и поставку образцов.
- Формирование склада под заказчика.
- Сертификаты соответствия на поставляемую продукцию (по желанию клиента).
- Тестирование поставляемой продукции.
- Поставку компонентов, требующих военную и космическую приемку.
- Входной контроль качества.
- Наличие сертификата ISO.

В составе нашей компании организован Конструкторский отдел, призванный помогать разработчикам, и инженерам.

Конструкторский отдел помогает осуществить:

- Регистрацию проекта у производителя компонентов.
- Техническую поддержку проекта.
- Защиту от снятия компонента с производства.
- Оценку стоимости проекта по компонентам.
- Изготовление тестовой платы монтаж и пусконаладочные работы.



Тел: +7 (812) 336 43 04 (многоканальный)

Email: org@lifeelectronics.ru