

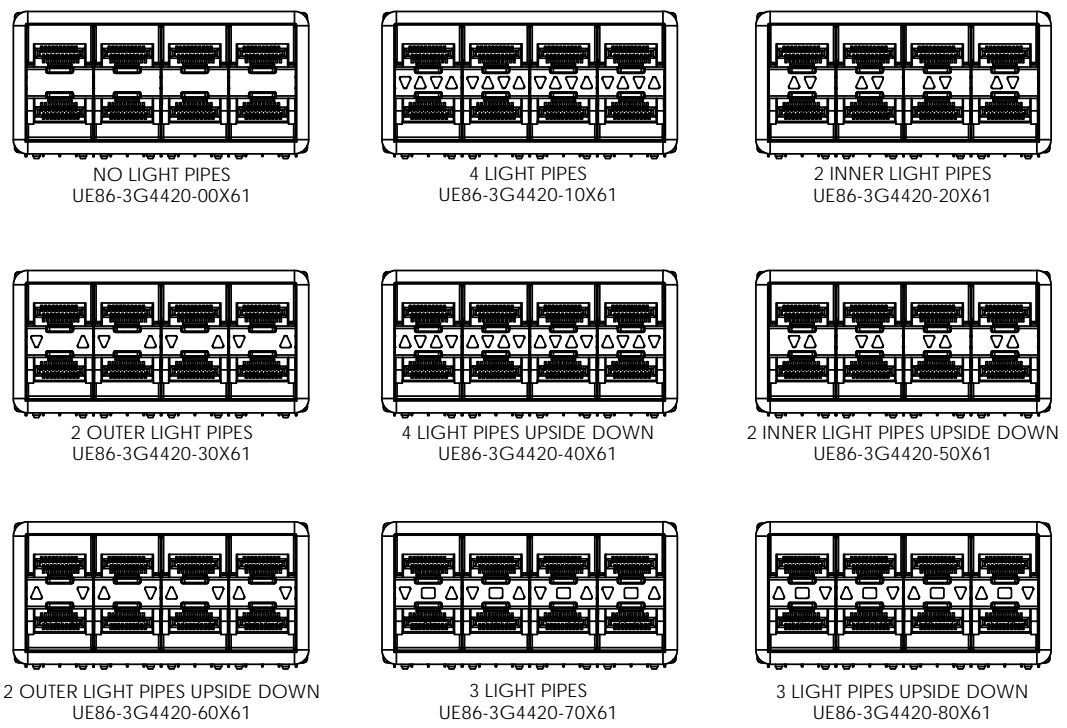
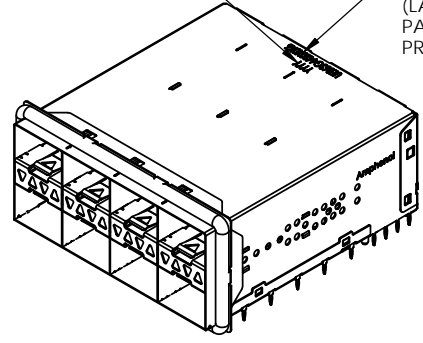
AMPHENOL PART NUMBER CONFIGURATION
UE86-3G4420-X0X61

- LIGHT PIPE OPTION**
 0 - NO LIGHT PIPE
 1 - 4 LP PER 2X1, NORMAL ORIENTATION
 2 - 2 INNER LP PER 2X1, NORMAL ORIENTATION
 3 - 2 OUTER LP PER 2X1, NORMAL ORIENTATION
 4 - 4 LP PER 2X1, REVERSING ORIENTATION
 5 - 2 INNER LP PER 2X1, REVERSING ORIENTATION
 6 - 2 OUTER LP PER 2X1, REVERSING ORIENTATION
 7 - 3 LP PER 2X1, 2 OUTER LP, NORMAL ORIENTATION
 8 - 3 LP PER 2X1, 2 OUTER LP, REVERSING ORIENTATION

- PACKAGING**
 1 - TRAY PACKAGING (STACKED)
- PLATING OPTIONS FOR CONNECTOR**
 2 - 30µ" GOLD PLATING ON MATING AREA
 15-100µ" MATTE TIN ON TERMINATION
 3 - 30µ" GOLD PLATING ON MATING AREA
 150-300µ" MATTE TIN ON TERMINATION
 5 - 15µ" GOLD PLATING ON MATING AREA
 15-100µ" MATTE TIN ON TERMINATION
 6 - 15µ" GOLD PLATING ON MATING AREA
 150-300µ" MATTE TIN ON TERMINATION

REVISIONS				
REV.	ECN NO.	DESCRIPTION	DATE	APPROVED
D		UPDATE NOTES	AUG 19/14	J.SI
E		CHANGED PCB THICKNESS	NOV 03/15	J.SI
F		REMOVED DIM. ZONE B1, SHEET 2 OF 5	OCT 31/16	J.SI

DATE CODE
 PART NUMBER (LAST DIGIT INDICATING PACKAGING TYPE, NOT PRINTED ON THE PART)



MATERIAL: (RoHS COMPLIANT)

- CAGE - PRESS FIT: COPPER ALLOY (NICKEL SILVER)
- CONNECTOR - PRESS FIT:
 - PLASTIC HOUSING: LCP, FLAMMABILITY RATING UL94-V0
 - CONTACTS: PHOSPHOR BRONZE
- LIGHT PIPE: CLEAR POLYCARBONATE, FLAMMABILITY RATING UL94-V0
- PACKAGING: TRAY PACKAGING
- TEMPERATURE RANGE: -40°C TO +85°C
- EMI GASKET: CONDUCTIVE ELASTOMER UL94-V0



THIS DOCUMENT CONTAINS PROPRIETARY INFORMATION AND SUCH INFORMATION MAY NOT BE DISCLOSED TO OTHERS FOR ANY PURPOSE OR USED FOR MANUFACTURING PURPOSES WITHOUT WRITTEN PERMISSION FROM AMPHENOL CANADA CORP.

UNLESS SPECIFIED OTHERWISE	DRAWN	P. OU	SEP 03/13
DIMENSIONS ARE IN MILLIMETERS	CHECKED	J. SI	NOV03/15
REFERENCE IN PARENTHESES	M.E. APP'D		
GENERAL TOLERANCES	Q.A. APP'D		
1 DECIMAL PLACE ±0.25	DWG APP'D	J. SI	NOV03/15
2 DECIMAL PLACE ±0.15	MATERIAL AND FINISH	SEE NOTES	
3 DECIMAL PLACE N/A	REF.	ECN Exxxxx	
ANGULAR DEGREES ±1°	THIRD ANGLE PROJECTION	DO NOT SCALE DRAWING	
ENG. REL. NO.			

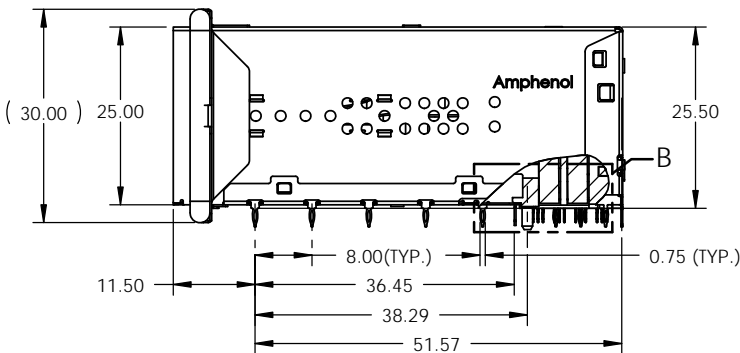
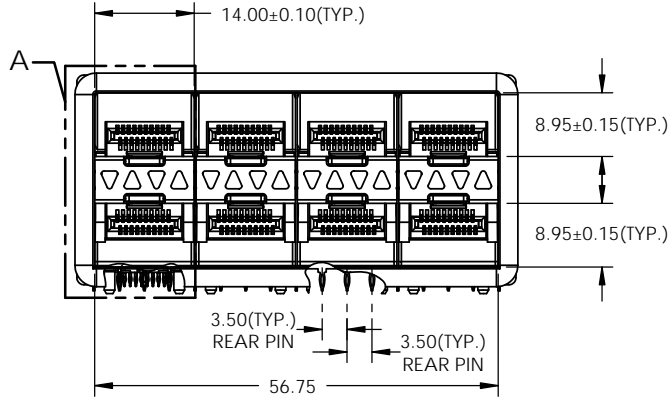
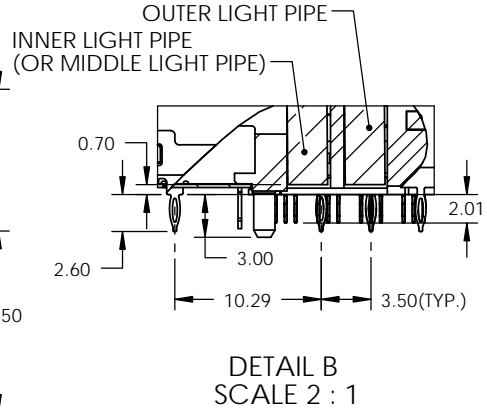
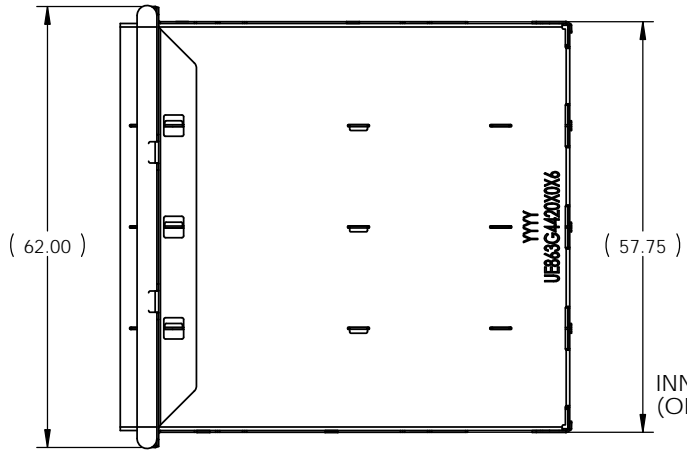
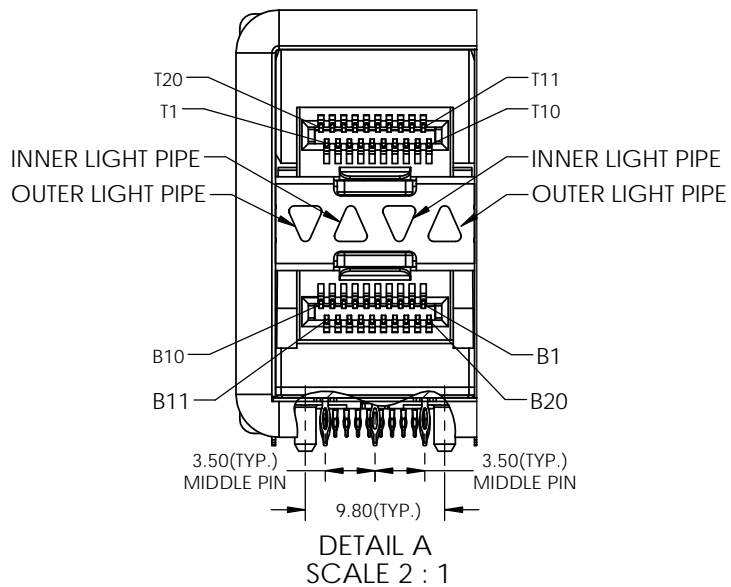
Amphenol High Speed Interconnects
 A Division of Amphenol Corp. www.amphenolcanada.com

2X4 SFP ULTRAPORT WITH LIGHT PIPE OPTIONS AND EMI GASKET

DWG. NO. **P-UE86-3G4420-X0X61** REV **F**

CODE ID NO. 03554 | DWG SIZE: A4 | SCALE: 2:3 | SHEET 1 OF 5

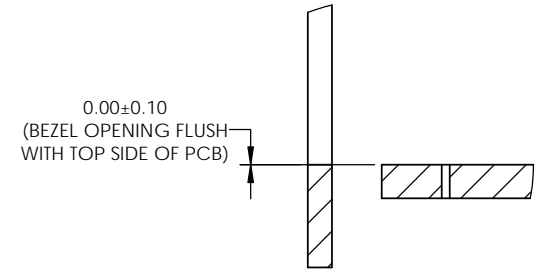
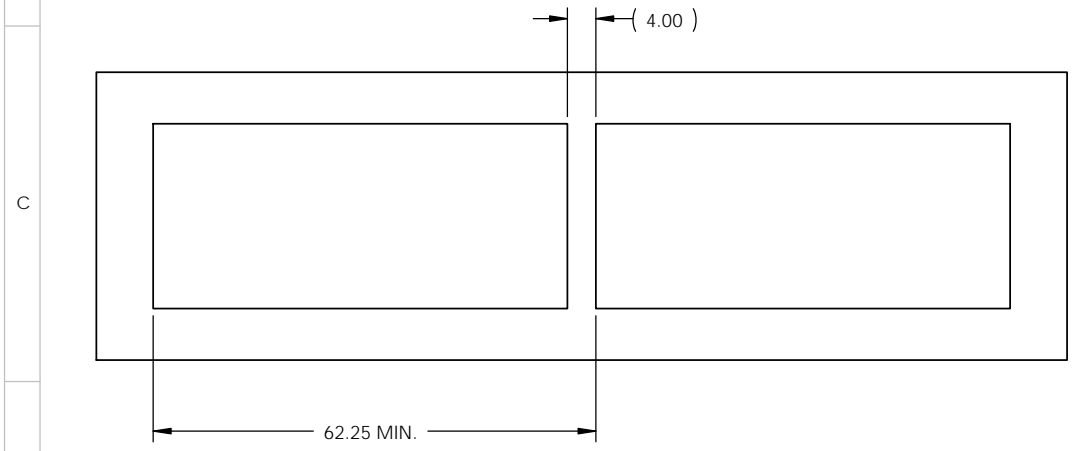
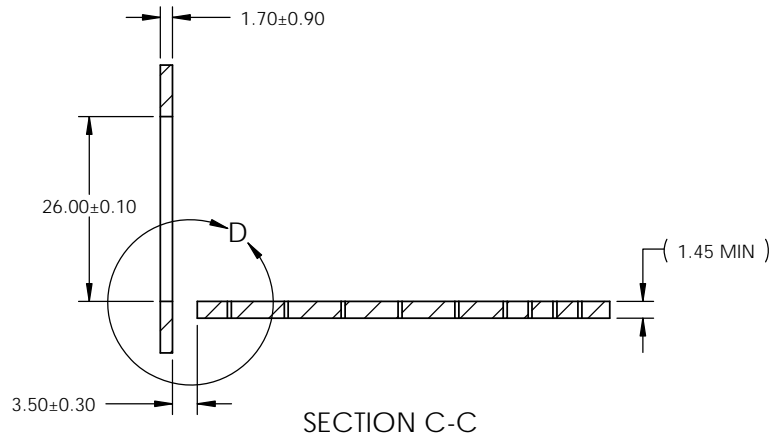
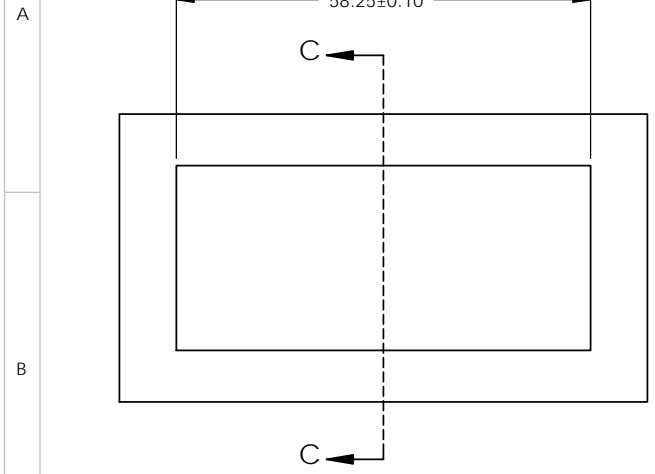
REVISIONS				
REV.	ECN NO.	DESCRIPTION	DATE	APPROVED
D		UPDATE NOTES	AUG 19/14	J.SI
E		CHANGED PCB THICKNESS	NOV 03/15	J.SI
F		REMOVED DIM. ZONE B1, SHEET 2 OF 5	OCT 31/16	J.SI



THIS DOCUMENT CONTAINS PROPRIETARY INFORMATION AND SUCH INFORMATION MAY NOT BE DISCLOSED TO OTHERS FOR ANY PURPOSE OR USED FOR MANUFACTURING PURPOSES WITHOUT WRITTEN PERMISSION FROM AMPHENOL CANADA CORP.

UNLESS SPECIFIED OTHERWISE DIMENSIONS ARE IN MILLIMETERS REFERENCE IN PARENTHESES GENERAL TOLERANCES 1 DECIMAL PLACE ±0.25 2 DECIMAL PLACE ±0.15 3 DECIMAL PLACE N/A ANGULAR DEGREES ±1° ENG. REL. NO.	DRAWN P. OU CHECKED J. SI M.E. APP'D Q.A. APP'D DWG APP'D J. SI MATERIAL AND FINISH SEE NOTES REF. ECN Exxxxx THIRD ANGLE PROJECTION	P. OU J. SI NOV03/15 NOV03/15 NOV03/15 SEE NOTES ECN Exxxxx DO NOT SCALE DRAWING	Amphenol High Speed Interconnects A Division of Amphenol Corp. www.amphenolcanada.com 2X4 SFP ULTRAPORT WITH LIGHT PIPE OPTIONS AND EMI GASKET DWG. NO. P-UE86-3G4420-X0X61 CODE ID NO. 03554 DWG SIZE: A4 SCALE: 1:1 SHEET 2 OF 5	REV F
--	---	---	---	-------

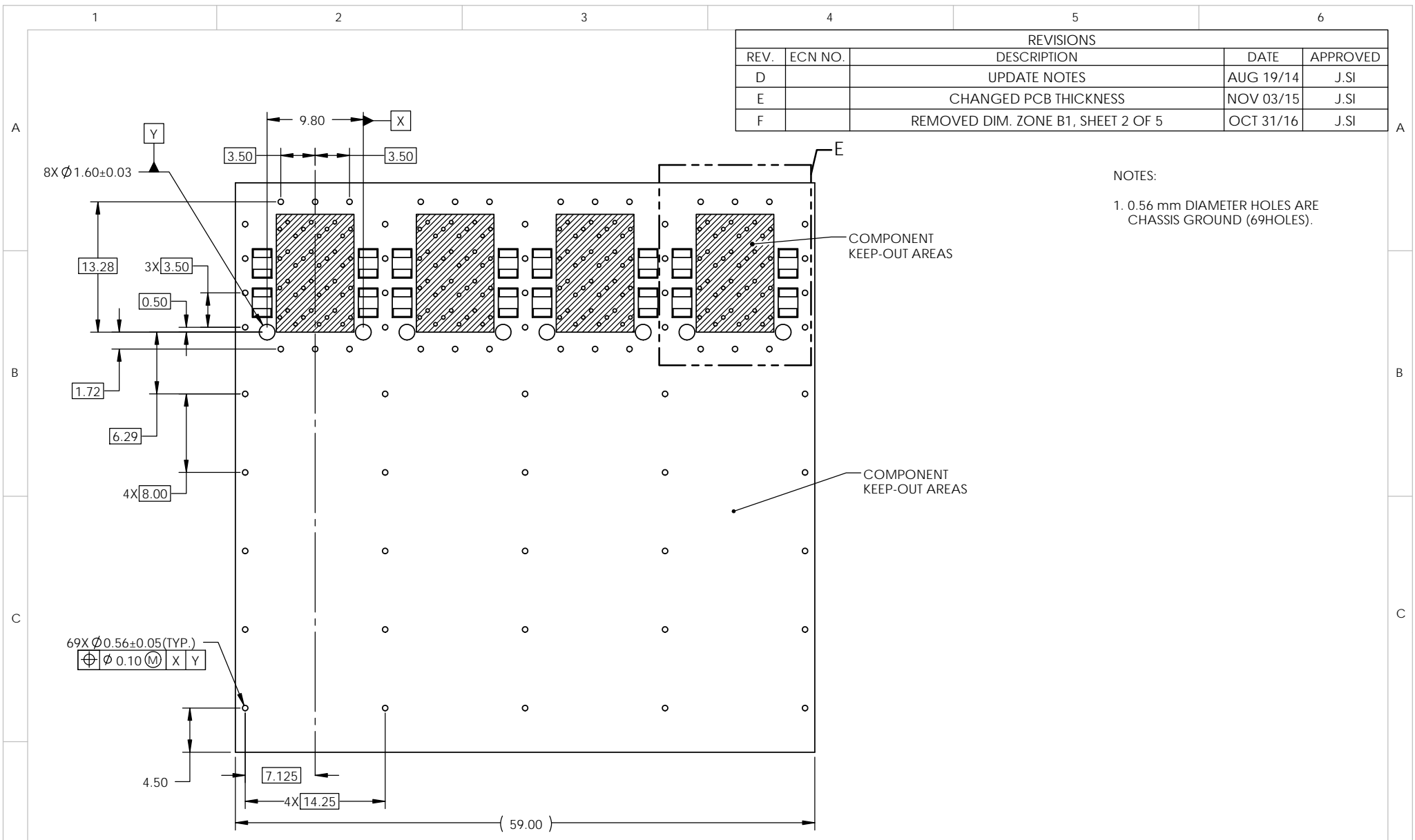
REVISIONS				
REV.	ECN NO.	DESCRIPTION	DATE	APPROVED
D		UPDATE NOTES	AUG 19/14	J.SI
E		CHANGED PCB THICKNESS	NOV 03/15	J.SI
F		REMOVED DIM. ZONE B1, SHEET 2 OF 5	OCT 31/16	J.SI



DETAIL D
SCALE 2 : 1

THIS DOCUMENT CONTAINS PROPRIETARY INFORMATION AND SUCH INFORMATION MAY NOT BE DISCLOSED TO OTHERS FOR ANY PURPOSE OR USED FOR MANUFACTURING PURPOSES WITHOUT WRITTEN PERMISSION FROM AMPHENOL CANADA CORP.

UNLESS SPECIFIED OTHERWISE		DRAWN	P. OU	SEP 03/13	Amphenol High Speed Interconnects A Division of Amphenol Corp. www.amphenolcanada.com
DIMENSIONS ARE IN MILLIMETERS		CHECKED	J. SI	NOV03/15	
REFERENCE IN PARENTHESES		M.E. APP'D			
GENERAL TOLERANCES		Q.A. APP'D			
1 DECIMAL PLACE	±0.25	DWG APP'D	J. SI	NOV03/15	2X4 SFP ULTRAPORT WITH LIGHT PIPE OPTIONS AND EMI GASKET
2 DECIMAL PLACE	±0.15	MATERIAL AND FINISH	SEE NOTES		
3 DECIMAL PLACE	N/A	REF.	ECN Exxxxx		DWG. NO.
ANGULAR DEGREES	±1°	THIRD ANGLE PROJECTION	DO NOT SCALE DRAWING		P-UE86-3G4420-X0X61
ENG. REL. NO.					CODE ID NO. 03554 DWG SIZE: A4 SCALE: 1:1 SHEET 3 OF 5



REVISIONS				
REV.	ECN NO.	DESCRIPTION	DATE	APPROVED
D		UPDATE NOTES	AUG 19/14	J.SI
E		CHANGED PCB THICKNESS	NOV 03/15	J.SI
F		REMOVED DIM. ZONE B1, SHEET 2 OF 5	OCT 31/16	J.SI

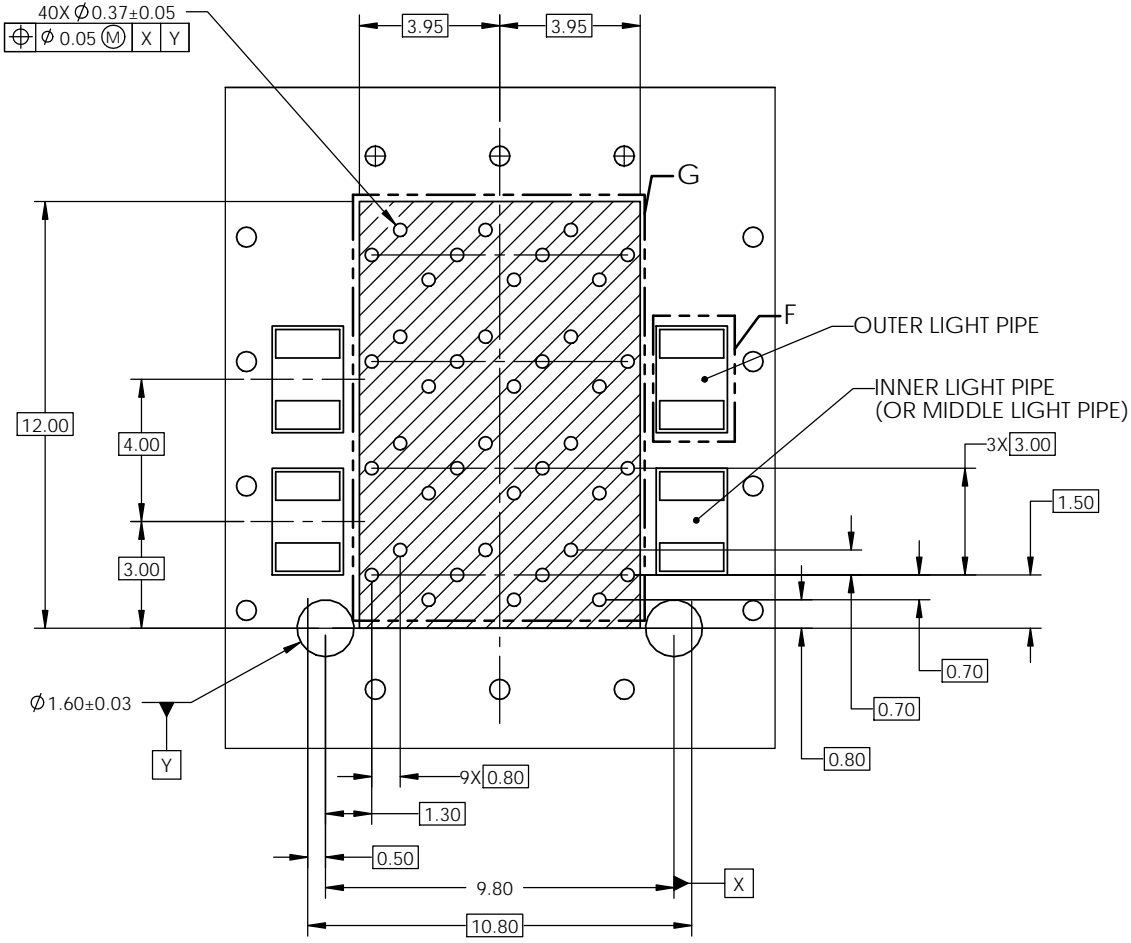
NOTES:
 1. 0.56 mm DIAMETER HOLES ARE CHASSIS GROUND (69HOLES).

2X4 PCB LAYOUT

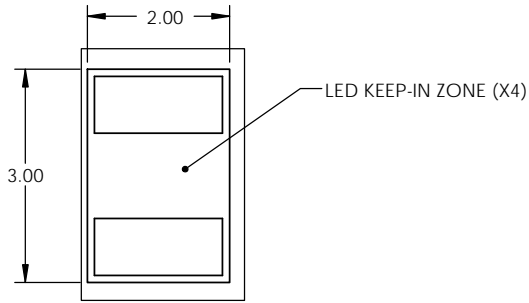
THIS DOCUMENT CONTAINS PROPRIETARY INFORMATION AND SUCH INFORMATION MAY NOT BE DISCLOSED TO OTHERS FOR ANY PURPOSE OR USED FOR MANUFACTURING PURPOSES WITHOUT WRITTEN PERMISSION FROM AMPHENOL CANADA CORP.

UNLESS SPECIFIED OTHERWISE DIMENSIONS ARE IN MILLIMETERS		DRAWN	P. OU	SEP 03/13	Amphenol High Speed Interconnects A Division of Amphenol Corp. www.amphenolcanada.com 2X4 SFP ULTRAPORT WITH LIGHT PIPE OPTIONS AND EMI GASKET
REFERENCE IN PARENTHESES		CHECKED	J. SI	NOV03/15	
GENERAL TOLERANCES		M.E. APP'D			
1 DECIMAL PLACE ±0.25		Q.A. APP'D			
2 DECIMAL PLACE ±0.15		DWG APP'D	J. SI	NOV03/15	
3 DECIMAL PLACE N/A		MATERIAL AND FINISH	SEE NOTES		
ANGULAR DEGREES ±1°		REF.	ECN Exxxxx		
ENG. REL. NO.		THIRD ANGLE PROJECTION	DO NOT SCALE DRAWING		DWG. NO.
					P-UE86-3G4420-X0X61
					CODE ID NO. 03554 DWG SIZE: A4 SCALE: 2:1 SHEET 4 OF 5

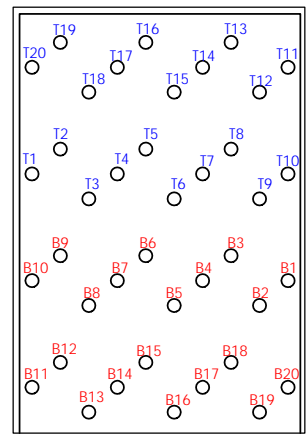
REVISIONS				
REV.	ECN NO.	DESCRIPTION	DATE	APPROVED
D		UPDATE NOTES	AUG 19/14	J.SI
E		CHANGED PCB THICKNESS	NOV 03/15	J.SI
F		REMOVED DIM. ZONE B1, SHEET 2 OF 5	OCT 31/16	J.SI



DETAIL E
SCALE 5 : 1



DETAIL F
SCALE 10 : 1



DETAIL G
SCALE 5 : 1

THIS DOCUMENT CONTAINS PROPRIETARY INFORMATION AND SUCH INFORMATION MAY NOT BE DISCLOSED TO OTHERS FOR ANY PURPOSE OR USED FOR MANUFACTURING PURPOSES WITHOUT WRITTEN PERMISSION FROM AMPHENOL CANADA CORP.

UNLESS SPECIFIED OTHERWISE		DRAWN	P. OU	SEP 03/13
DIMENSIONS ARE IN MILLIMETERS		CHECKED	J. SI	NOV03/15
REFERENCE IN PARENTHESES		M.E. APP'D		
GENERAL TOLERANCES		Q.A. APP'D		
1 DECIMAL PLACE	±0.25	DWG APP'D	J. SI	NOV03/15
2 DECIMAL PLACE	±0.15	MATERIAL AND FINISH	SEE NOTES	
3 DECIMAL PLACE	N/A	REF.	ECN Exxxxx	
ANGULAR DEGREES	±1°	THIRD ANGLE PROJECTION	DO NOT SCALE DRAWING	
ENG. REL. NO.				

Amphenol High Speed Interconnects A Division of Amphenol Corp. www.amphenolcanada.com				
2X4 SFP ULTRAPORT WITH LIGHT PIPE OPTIONS AND EMI GASKET				
DWG. NO.		P-UE86-3G4420-X0X61		REV F
CODE ID NO.	03554	DWG SIZE:	A4	SCALE: 2:1
				SHEET 5 OF 5

Компания «Life Electronics» занимается поставками электронных компонентов импортного и отечественного производства от производителей и со складов крупных дистрибьюторов Европы, Америки и Азии.

С конца 2013 года компания активно расширяет линейку поставок компонентов по направлению коаксиальный кабель, кварцевые генераторы и конденсаторы (керамические, пленочные, электролитические), за счёт заключения дистрибьюторских договоров

Мы предлагаем:

- Конкурентоспособные цены и скидки постоянным клиентам.
- Специальные условия для постоянных клиентов.
- Подбор аналогов.
- Поставку компонентов в любых объемах, удовлетворяющих вашим потребностям.
- Приемлемые сроки поставки, возможна ускоренная поставка.
- Доставку товара в любую точку России и стран СНГ.
- Комплексную поставку.
- Работу по проектам и поставку образцов.
- Формирование склада под заказчика.
- Сертификаты соответствия на поставляемую продукцию (по желанию клиента).
- Тестирование поставляемой продукции.
- Поставку компонентов, требующих военную и космическую приемку.
- Входной контроль качества.
- Наличие сертификата ISO.

В составе нашей компании организован Конструкторский отдел, призванный помогать разработчикам, и инженерам.

Конструкторский отдел помогает осуществить:

- Регистрацию проекта у производителя компонентов.
- Техническую поддержку проекта.
- Защиту от снятия компонента с производства.
- Оценку стоимости проекта по компонентам.
- Изготовление тестовой платы монтаж и пусконаладочные работы.



Тел: +7 (812) 336 43 04 (многоканальный)

Email: org@lifeelectronics.ru