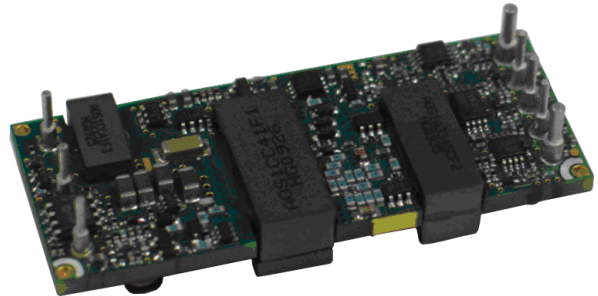


## Description

The AVO100C-48S3V3 DC-DC converter is a next-generation industry standard eighth brick with optimized ultra high efficiency. This module can provide up to 30A output current at 3.3V output voltage, industry standard eighth brick 57.9mm × 22.9mm × 9.5mm (2.28" × 0.9" × 0.374"), which makes it an ideal choice for small space, telecom and datacom applications. The AVO100C-48S3V3 is standard eighth brick pin-out configuration, with baseplate option .it provide CNT ,remote control, trim and sense functions, with OVP,OCP,OTP full protection method. This product can achieve ultra high efficiency of 92.4% at full load. For most applications, a heat sink is not required.



## Operational Features

- Up to 30A output current
- Ultra-high efficiency 92.4% typ. at full load
- Wide input range: 36V ~ 75V
- Excellent thermal performance
- No minimum load requirement
- Pre-bias function
- RoHS 6 compliant

## Control Features

- Remote control function
- Remote output sense
- Trim function: 80% ~ 110%

## Protection Features

- Input under voltage lockout
- Output over current protection
- Output over voltage protection
- Over temperature protection

## Mechanical Features

- Industry standard eighth brick
- Standard Open frame
- Pin length option: 4.8mm, 3.8mm

## Safety & EMC

- Meet safety standards UL 60950-1 2<sup>nd</sup> edition, IEC/EN 60950-1 2<sup>nd</sup> edition and GB4943
- Approved by UL and TUV
- Meet 2006/95/EEC and 93/68/EEC directives which facilitates CE marking in user's end product
- Materials meet UL94, V-0 flammability rating
- Meet conducted emission's requirements of EN55022 Class A with external filter

## Electrical Characteristics

Full operating ambient temperature range is -40°C to +85°C.

Specifications are subject to change without notice.

Parameter		Min.	Typ.	Max.	Unit	Notes & Conditions
<b>Absolute max. ratings</b>						
Input voltage	Non-operating	-	-	100	V	100ms
	Operating	-	-	80	V	Continuous
Operating temperature		-40	-	85	°C	-
Storage temperature		-55	-	125	°C	-
Voltage at remote ON/OFF pin		-0.7	-	12	V	-
<b>Input characteristics</b>						
Operating input voltage range		36	48	75	V	-
Input under-voltage lockout	Turn-on voltage threshold	31	-	36	V	-
	Turn-off voltage threshold	30	-	35	V	-
	Lockout voltage hysteresis	1	-	3	V	-
Max. input current		-	-	3.5	A	36V <sub>in</sub> , full load
No-load input current		-	0.05	-	A	
Standby Input current		-	0	0.1	A	Remote OFF
Inrush current transient rating		-	-	1	A <sup>2</sup> s	Figure 14
Input reflected ripple current		-	20	-	mA	Through 12μH inductor; Figure 14
Recommended input fuse		-	-	10	A	Fast blow external fuse recommended; Figure 10
Recommended external input capacitance		100	-	-	μF	Low ESR capacitor recommended; Figure 10
<b>Output characteristics</b>						
Output voltage set point (standard option)		3.25	3.3	3.35	V	48V <sub>in</sub> , full load
Output voltage line regulation		-	-	-	%	-
			3.3	-	mV	-
Output voltage load regulation		-	-	-	%	-
			3.3	-	mV	-
Output voltage temperature regulation		-	-	0.02	%/°C	-

Parameter		Min.	Typ.	Max.	Unit	Notes & Conditions
Total output voltage range		3.184	3.3	3.416	V	Over sample, line, load, temperature & life
Output voltage ripple and noise		-	50	-	mVpp	Figure 2 20MHz bandwidth; see Figure 14
Output voltage ripple and noise		-	50	-	mVpp	Ta:25°C, Air velocity: 300LFM, Vin: 48V, Vonom, Ionom, 10u tantalum (ESR≤100 mΩ)// 1u ceramic capacitor
Operating output current range		0	-	30	A	-
Output DC current-limit inception		32	-	45	A	Hiccup: auto-restart when over-current condition is removed
Vout pre-bias level		-	-	90	%Vo	-
Output capacitance		330	-	10000	μF	High frequency and low ESR is recommended
<b>Dynamic characteristics</b>						
Dynamic response	25% ~ 50% ~ 25% Io,max, 0.1A/μs	-	50	-	mV	Figure 4 Test condition: 25°C, nominal input voltage, see Figure 10
	Setting time	-	100	-	μs	Recovery to within 1% Vo,nom
	25% ~ 50% ~ 25% Io,max, 1A/μs	-	200	-	mV	Figure 5 Test condition: 25°C, nominal input voltage, see Figure 10
	Setting time	-	30	-	μs	Recovery to within 1% Vo,nom
Turn-on transient	Rise time	-	15	-	ms	Full load, Figure 6
	Turn-on delay time	-	50	-	ms	-
	Output voltage overshoot	-	0	-	%Vo	-
<b>Efficiency</b>						
100% load		-	92.4	-	%	Figure 1
50% load		-	93.1	-	%	Figure 1
20% load		-	89.5	-	%	Figure 1

## Electrical Characteristics (Continued)

Parameter	Min.	Typ.	Max.	Unit	Notes & Conditions	
<b>Isolation characteristics</b>						
Isolation voltage (conditions: 1mA for 60s, slew rate of 2000V/10s)	2000	-	-	V	Basic insulation, pollution degree 2, input to output	
	1500	-	-	V	Basic insulation, pollution degree 2, input to baseplate	
	500	-	-	V	Basic insulation, pollution degree 2, output to baseplate	
<b>Feature characteristics</b>						
Switching frequency	-	165	-	kHz	-	
Remote ON/OFF control (positive logic)	Off-state voltage	-0.7	-	1.2	V	See Figure 11
	On-state voltage	3.5	-	12	V	
Remote ON/OFF control (negative logic)	Off-state voltage	3.5	-	12	V	
	On-state voltage	-0.7	-	1.2	V	
Output voltage trim range	2.64	-	3.63	V	See <i>Trim Characteristics of Application Note</i>	
Output voltage remote sense range	-	-	0.33	V	-	
Output over-voltage protection	3.8	-	5	V	Hiccup: auto-restart when over-voltage condition is removed	
Over-temperature shutdown	119	126	135	°C	Auto recovery; over-temperature protect (OTP) test point: see Figure 15	
Over-temperature hysteresis	5	-	-	°C	-	
<b>Reliability characteristics</b>						
Calculated MTBF (telcordia)	-	1.5	-	10 <sup>6</sup> h	Telcordia SR-332-2006; 80% load, 300LFM, 40°C T <sub>a</sub>	

## Electromagnetic compatibility requirements

Test Item	Regulations	Criteria	Notes & Conditions
Conducted Emission	EN 55022 DC input port, Class A Limits	-	See EMC test conditions
Immunity to Electrostatic Discharge	IEC/EN61000-4-2 Enclosure Port, Level 3	B	
Immunity to Electrical Fast Transient	IEC/EN61000-4-4 DC input port, Level 3	B	
Immunity to Surges	IEC/EN61000-4-5 DC input port Line to Ground(earth): 600V Line to Line: 600V	B	
Immunity to Continuous Conducted Interference	IEC/EN61000-4-6 DC input port, Level 2	A	
Immunity To Voltage Dips and short interruptions and voltage variations	EN 61000-4-29 DC input port	B	

Criterion A: Normal performance during and after test.

Criterion B: For EFT and surges, low-voltage protection or reset is not allowed. Temporary output voltage fluctuation ceases after disturbances ceases, and from which the EUT recovers its normal performance automatically. For Dips and ESD, output voltage fluctuation or reset is allowed during the test, but recovers to its normal performance automatically after the disturbance ceases.

Criterion C: Temporary loss of output, the correction of which requires operator intervention.

Criterion D: Loss of output which is not recoverable, owing to damage to hardware.

## Qualification Testing

Parameter	Unit (pcs)	Test condition
Halt test	4 ~ 5	$T_{a,min} - 10^{\circ}\text{C}$ to $T_{a,max} + 10^{\circ}\text{C}$ , $5^{\circ}\text{C}$ step, $V_{in}$ = min to max, 0 ~ 105% load
Vibration	3	Frequency range: 5Hz ~ 20Hz, 20Hz ~ 200Hz, A.S.D: $1.0\text{m}^2/\text{s}^3$ , -3db/oct, axes of vibration: X/Y/Z Time: 30min/axis
Mechanical shock	3	30g, 6ms, 3axes, 6directions, 3time/direction
Thermal shock	3	$-40^{\circ}\text{C}$ to $100^{\circ}\text{C}$ , unit temperature 20cycles
Thermal cycling	3	$-40^{\circ}\text{C}$ to $55^{\circ}\text{C}$ , temperature change rate: $1^{\circ}\text{C}/\text{min}$ , cycles: 2cycles
Humidity	3	$40^{\circ}\text{C}$ , 95%RH, 48h
Solder ability	15	IPC J-STD-002C-2007

# Characteristic Curves

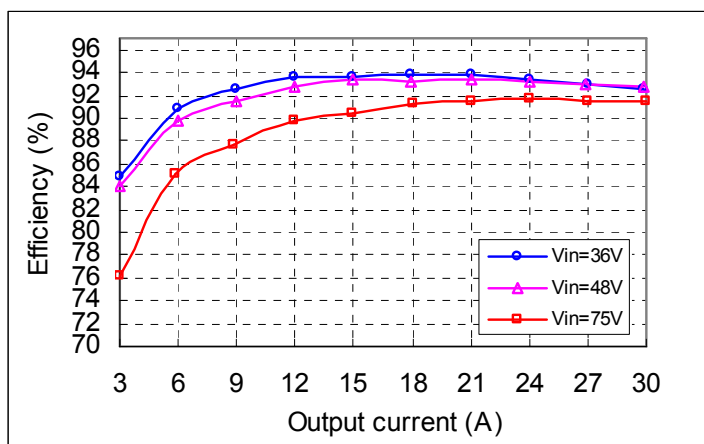


Figure 1 Efficiency vs. output current,  $T_a=25^{\circ}\text{C}$ ,  $V_o=3.3\text{V}$ , Air velocity=300LFM

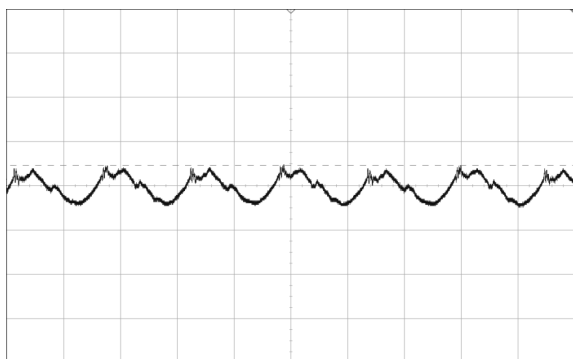


Figure 2 Output ripple & noise (2 $\mu\text{s}/\text{div}$ , 20mV/div), see Figure 14 for test configuration

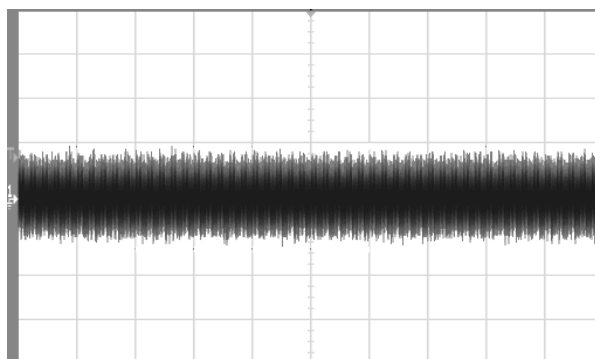


Figure 3 Input reflected ripple current (100ms/div, 10mA/div), see Figure 14 for test configuration

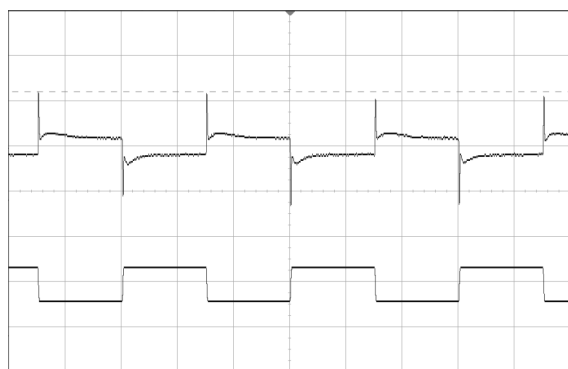


Figure 4 Dynamic response for 25% load step (25% ~ 50% ~ 25%) and 0.1A/ $\mu\text{s}$  slew rate, (2ms/div), see Figure 10 for test configuration; CH1-output voltage (50mV/div); CH2-output current (10A/div)

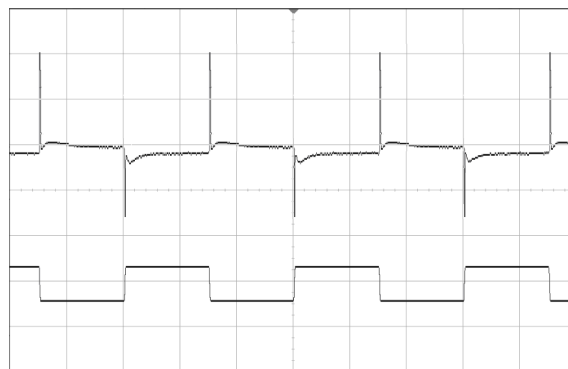


Figure 5 Dynamic response for 25% load step (25% ~ 50% ~ 25%) and 1A/ $\mu\text{s}$  slew rate, (2ms/div), see Figure 10 for test configuration; CH1-output voltage (50mV/div); CH2-output current (10A/div)

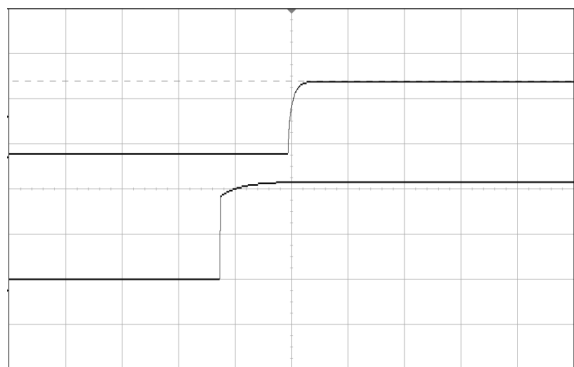


Figure 6 Output voltage startup by power on, (50ms/div), see Figure 10 for test configuration; CH1-output voltage (2V/div); CH2-input voltage (20V/div)

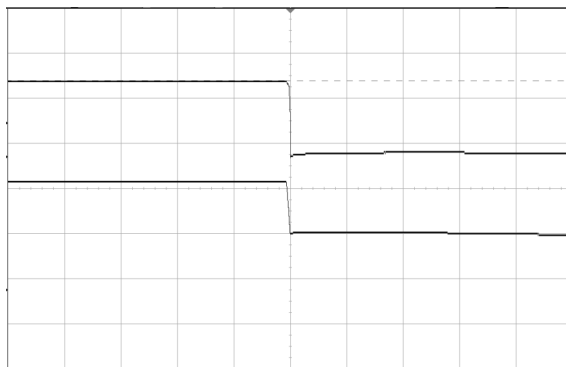


Figure 7 Output voltage shut down by power off, (10ms/div), see Figure 10 for test configuration; CH1-output voltage (2V/div); CH2-input voltage (20V/div)

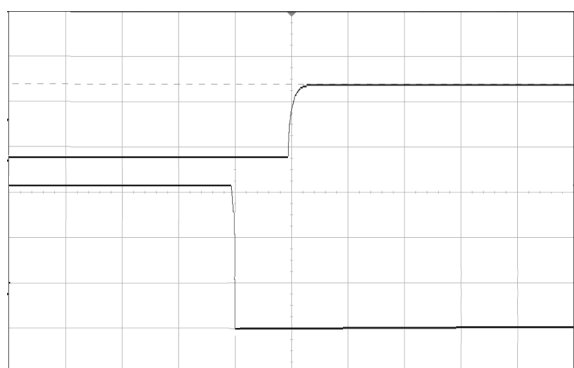


Figure 8 Output voltage startup by remote ON, (20ms/div), see Figure 11 for test configuration; CH1-output voltage (2V/div); CH2-remote ON voltage (1V/div) (Negative logic)

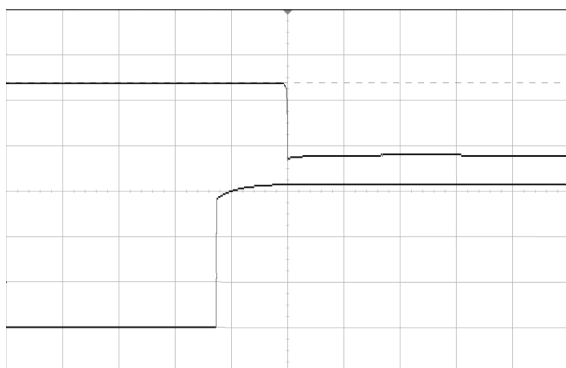


Figure 9 Output voltage shutdown by remote OFF, (20ms/div), see Figure 11 for test configuration; CH1-output voltage (2V/div); CH2-remote OFF voltage (1V/div) (Negative logic)



# Application Note

## Typical Application

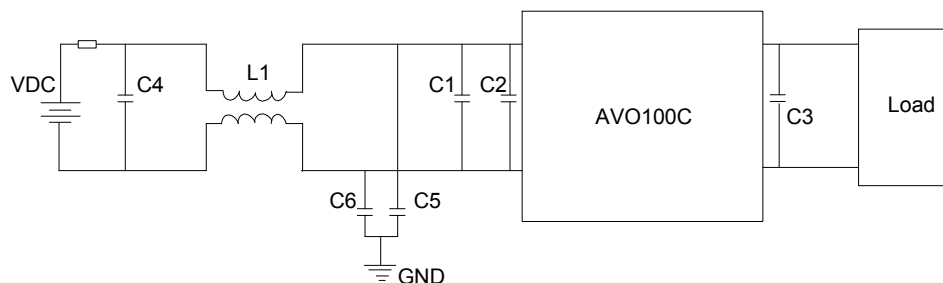


Figure 10 Typical application

C4: SMD ceramic-100V-1000nF-X7R-1210

C1: SMD ceramic-100V-100nF-±10%-X7R-1206

C2: 100µF/100V electrolytic capacitor, high frequency and low ESR

C3: 470µF/10V electrolytic capacitor, high frequency and low ESR

C5, C6: SMD ceramic- 47nF/1000V/X7R-1210

L1: 1320µH-±25%-4A-R5K-21×21×12.5mm

## Remote ON/OFF

Either positive or negative remote ON/OFF logic is available in AVO100C-48S3V3. The logic is CMOS and TTL compatible.

The following figure is the equivalent internal circuit and reference in AVO100C-48S3V3.

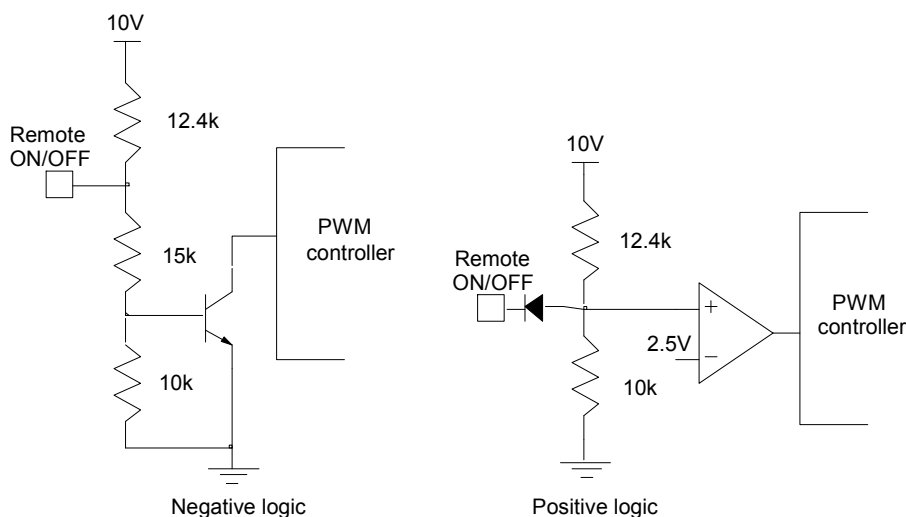


Figure 11 Remote ON/OFF internal diagram

### Trim Characteristics

Connecting an external resistor between Trim pin and V<sub>o-</sub> pin will decrease the output voltage. While connecting it between Trim and V<sub>o+</sub> will increase the output voltage. The following equations determine the external resistance to obtain the trimmed output voltage.

$$R_{adj\_down} = \left( \frac{511}{\Delta\%} - 10.22 \right) k\Omega$$

$$R_{adj\_up} = \left( \frac{5.11 V_{out} (100 + \Delta\%)}{V_{ref} \Delta\%} - \frac{511}{\Delta\%} - 10.22 \right) k\Omega$$

*R<sub>adj\_down</sub>* : Value of external adjustment resistor which shall be connected between Trim and –Sense for trimming down.

$\Delta\%$  : Output voltage change rate against nominal output voltage.

*R<sub>adj\_up</sub>* : Value of external adjustment resistor which shall be connected between Trim and +Sense for trimming up.

V<sub>out</sub>: Nominal output voltage.

V<sub>ref</sub> = 1.225V

When trimming up, the output current should be decreased accordingly so as not to exceed the maximum output power as shown in the following figures.

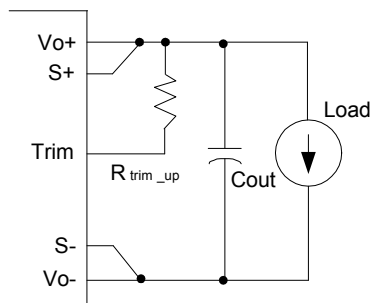


Figure 12 Trim up

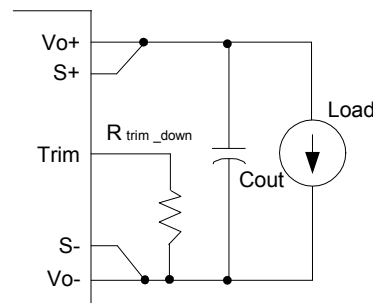


Figure 13 Trim down

### Sense Characteristics

If the load is far from the unit, connect S+ and S- to the terminal of the load respectively to compensate the voltage drop on the transmission line.

If the sense compensate function is not necessary, connect S+ to V<sub>o+</sub> and S- to V<sub>o-</sub> directly.

## Input Ripple & Inrush Current And Output Ripple & Noise Test Configuration

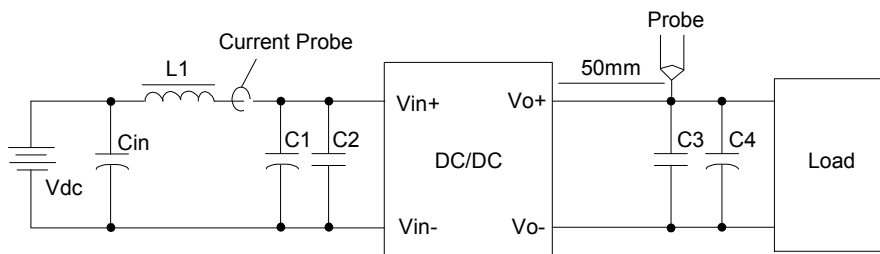


Figure 14 Input ripple & inrush current, output ripple & noise test configuration

Vdc: DC power supply

L1: 12µH

Cin: 220µF/100V typical

C1: SMDceramic-100V-100nF-±10%-X7R-1206

C2: 100µF/100V electrolytic capacitor, high frequency and low ESR

C3: SMDceramic-10V-1µF-±10%-X7R-1206

C4: 470µF/10V electrolytic capacitor, high frequency and low ESR

Note: It is recommended to use a coaxial cable with series 50Ω resistor and 0.68µF ceramic capacitor or a ground ring of probe to test output ripple & noise.

## EMC test conditions

See Figure10.

## Thermal Considerations

The converter is designed to operate in different thermal environments and sufficient cooling must be provided. Proper cooling can be verified by measuring the temperature at the test points. The temperature at these points should not exceed the max values in Table 1 when the module is operating. Q1 TEST PIONT lies on side of MOSFET Q1.

For a typical application, forced airflow direction is from  $V_{in-}$  to  $V_{in+}$ , Figure 17 shows the derating of output current vs. ambient air temperature at different air velocity.

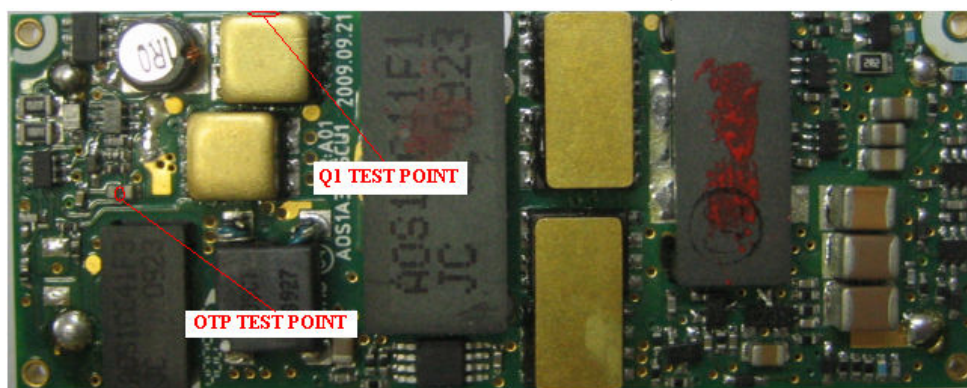


Figure 15 Thermal test points (top view)

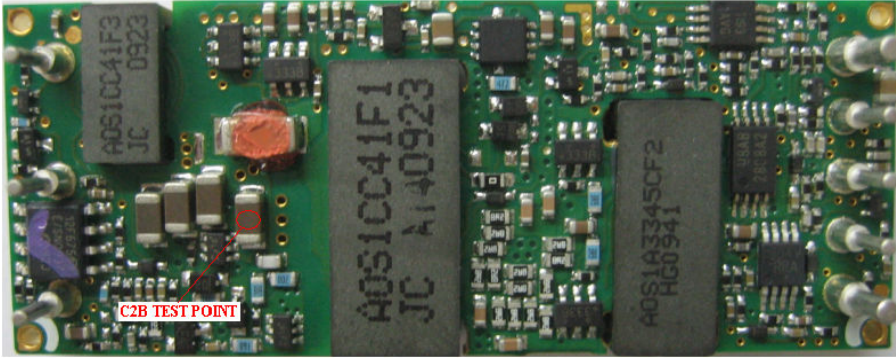


Figure 16 Thermal test point (bottom view)

Table 1 Temperature limit

Test point	Temperature limit
Q1 test point	126°C
C2B test point	118°C

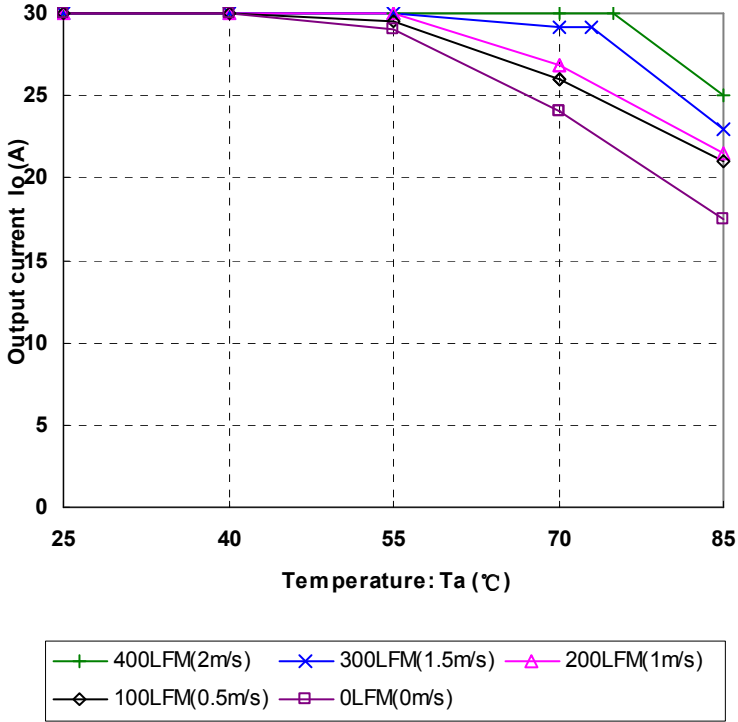


Figure 17 Output power derating, 48V<sub>in</sub>, air flowing across the converter from V<sub>in-</sub> and V<sub>in+</sub>

### Thermal Image

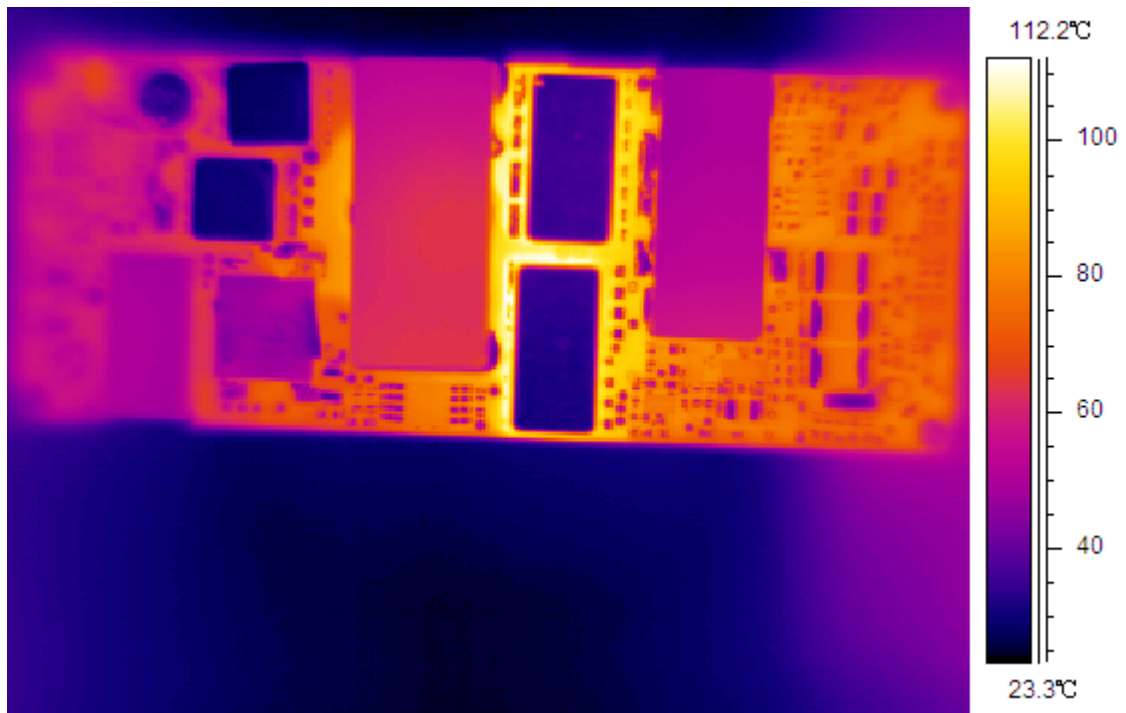
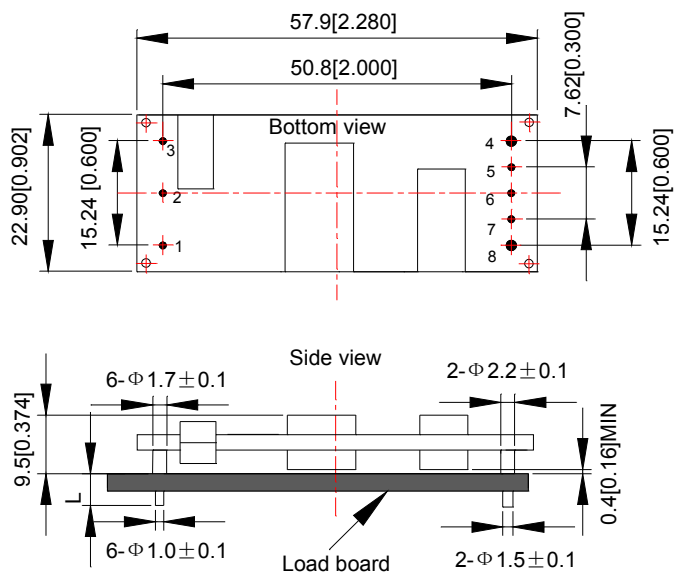


Figure 18 Thermal image, 48V<sub>in</sub>, 3.3V<sub>o</sub>, full load, room temperature, 200LFM (air flowing from pin 1 to pin 3)

Mechanical Diagram



Unit: mm[inch]                      Bottom view: pin on upside

Tolerance: X.Xmm ± 0.5mm[X.X in. ± 0.02in.]

X.XXmm ± 0.25mm[X.XX in. ± 0.01in.]

Figure 19 Mechanical diagram

Pin length option

Device code suffix	L
-4	4.8mm±0.25mm
-6	3.8mm±0.25mm
-8	2.8mm±0.25mm
None	5.8mm±0.25mm

## Pin Designations

Pin NO.	Name	Function
1	$V_{in+}$	Positive input voltage
2	Remote ON/OFF	Remote control
3	$V_{in-}$	Negative input voltage
4	$V_{o-}$	Negative output voltage
5	S-	Negative remote sense
6	Trim	Output voltage trim
7	S+	Positive remote sense
8	$V_{o+}$	Positive output voltage

## Soldering

The product is intended for standard manual, reflow or wave soldering.

When reflow soldering is used, the temperature on pins is specified to maximum 260°C for maximum 10s.

When wave soldering is used, the temperature on pins is specified to maximum 260°C for maximum 7s.

When soldering by hand, the iron temperature should be maintained at 300°C ~ 380°C and applied to the converter pins for less than 10s. Longer exposure can cause internal damage to the converter.

Cleaning of solder joint can be performed with cleaning solvent IPA or similitive.

## Ordering Information

AVO100C	-	48	S	3V3	P	B	-	4	L
①		②	③	④	⑤	⑥		⑦	⑧

①	Model series	AVO: series name , 100:output power 100W, C: Version
②	Input voltage	48: 36V ~ 75V input range, rated input voltage 48V
③	Output number	S: single output
④	Rated output voltage	3V3:3.3V output
⑤	Remote ON/OFF logic	Default: negative; P: positive logic
⑥	Baseplate	Default: without the baseplate; B:with baseplate
⑦	Pin length	4: 4.8mm
⑧	RoHS status	L: RoHS, R6; Y: RoHS, R5

Model number	Description
AVO100C-48S3V3-4L	4.8mm pin lenth; negative on/off logic; open frame, R6 compliant
AVO100C-48S3V3P-4L	4.8mm pin lenth; positive on/off logic; open frame, R6 compliant
AVO100C-48S3V3B-4L	4.8mm pin lenth; negative on/off logic; with baseplate; R6 compliant, see AVO100C-48S3V B TRN
AVO100C-48S3V3PB-4L	4.8mm pin lenth; positive on/off logic; with baseplate; R6 compliant, see AVO100C-48S3V3B TRN
AVO100C-48S3V3-4Y	4.8mm pin lenth; negative on/off logic; open frame, R5 compliant
AVO100C-48S3V3P-4Y	4.8mm pin lenth; positive on/off logic; open frame, R5 compliant
AVO100C-48S3V3B-4Y	4.8mm pin lenth; negative on/off logic; with baseplate; R5 compliant, see AVO100C-48S3V3B TRN
AVO100C-48S3V3PB-4Y	4.8mm pin lenth; positive on/off logic; with baseplate; R5 compliant, see AVO100C-48S3V3B TRN
AVO100C-48S3V3-6Y	3.8mm pin lenth; negative on/off logic; open frame, R5 compliant

## Hazardous Substances Announcement (RoHS Of China)

Parts	Hazardous substances					
	Pb	Hg	Cd	Cr <sup>6+</sup>	PBB	PBDE
AVO100C-48S3V3	○	○	○	○	○	○
○: Means the content of the hazardous substances in all the average quality materials of the part is within the limits specified in SJ/T-11363-2006 √: Means the content of the hazardous substances in at least one of the average quality materials of the part is outside the limits specified in SJ/T11363-2006						
Emerson Network Power Co., Ltd. has been committed to the design and manufacturing of environment-friendly products. It will reduce and eventually eliminate the hazardous substances in the products through unremitting efforts in research. However, limited by the current technical level, the following parts still contain hazardous substances due to the lack of reliable substitute or mature solution:						
1. Solders (including high-temperature solder in parts) contain plumbum. 2. Glass of electric parts contains plumbum. 3. Copper alloy of pins contains plumbum						



Компания «Life Electronics» занимается поставками электронных компонентов импортного и отечественного производства от производителей и со складов крупных дистрибьюторов Европы, Америки и Азии.

С конца 2013 года компания активно расширяет линейку поставок компонентов по направлению коаксиальный кабель, кварцевые генераторы и конденсаторы (керамические, пленочные, электролитические), за счёт заключения дистрибьюторских договоров

Мы предлагаем:

- Конкурентоспособные цены и скидки постоянным клиентам.
- Специальные условия для постоянных клиентов.
- Подбор аналогов.
- Поставку компонентов в любых объемах, удовлетворяющих вашим потребностям.
- Приемлемые сроки поставки, возможна ускоренная поставка.
- Доставку товара в любую точку России и стран СНГ.
- Комплексную поставку.
- Работу по проектам и поставку образцов.
- Формирование склада под заказчика.
- Сертификаты соответствия на поставляемую продукцию (по желанию клиента).
- Тестирование поставляемой продукции.
- Поставку компонентов, требующих военную и космическую приемку.
- Входной контроль качества.
- Наличие сертификата ISO.

В составе нашей компании организован Конструкторский отдел, призванный помогать разработчикам, и инженерам.

Конструкторский отдел помогает осуществить:

- Регистрацию проекта у производителя компонентов.
- Техническую поддержку проекта.
- Защиту от снятия компонента с производства.
- Оценку стоимости проекта по компонентам.
- Изготовление тестовой платы монтаж и пусконаладочные работы.



Тел: +7 (812) 336 43 04 (многоканальный)

Email: [org@lifeelectronics.ru](mailto:org@lifeelectronics.ru)