

TOSHIBA BiCD Integrated Circuit Silicon Monolithic

## TB67S101AFG, TB67S101AFTG, TB67S101AFNG

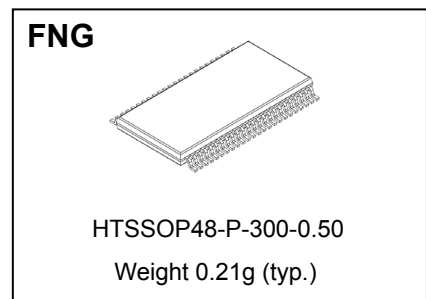
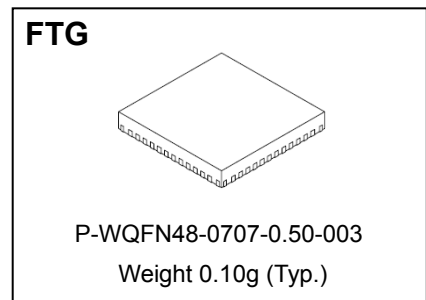
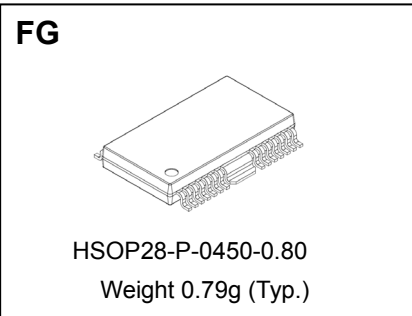
### PHASE-in controlled Bipolar Stepping Motor Driver

The TB67S101A is a two-phase bipolar stepping motor driver using a PWM chopper. An interface is PHASE in control. Fabricated with the BiCD process, rating is 50 V/4.0 A .

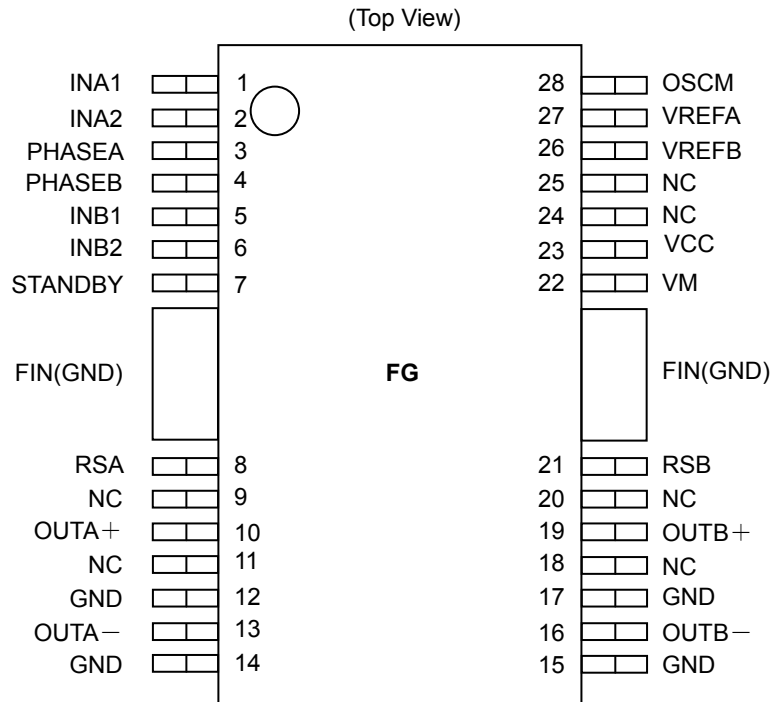
### Features

- BiCD process integrated monolithic IC.
- Capable of controlling 1 bipolar stepping motor.
- PWM controlled constant-current drive.
- Allows full, half, quarter step operation.
- Low on-resistance (High + Low side=0.49Ω(typ)) MOSFET output stage.
- High efficiency motor current control mechanism (Advanced Dynamic Mixed Decay)
- High voltage and current (For specification, please refer to absolute maximum ratings and operation ranges)
- Built-in error detection circuits (Thermal shutdown (TSD), over-current shutdown (ISD), and power-on reset (POR))
- Built-in VCC regulator for internal circuit use.
- Chopping frequency of a motor can be customized by external resistance and condenser.
- Multi package lineup
  - TB67S101AFG: HSOP28-P-450-0.80
  - TB67S101AFTG: P-WQFN48-0707-0.50-003
  - TB67S101AFNG: HTSSOP48-P-300-0.50

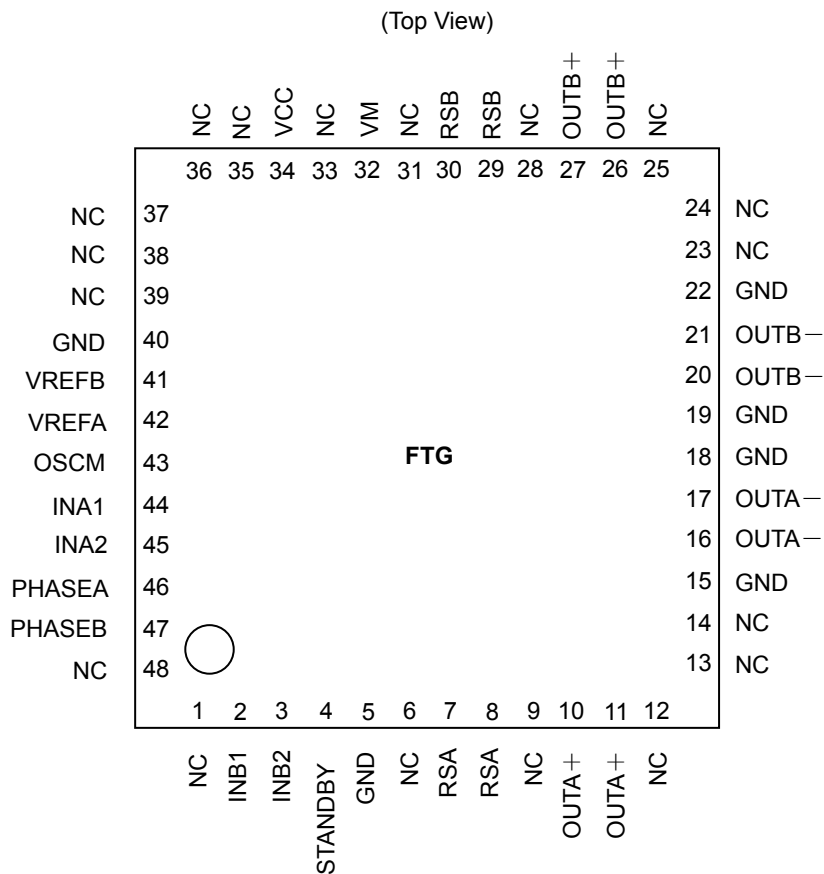
Note) Please be careful about thermal conditions during use.



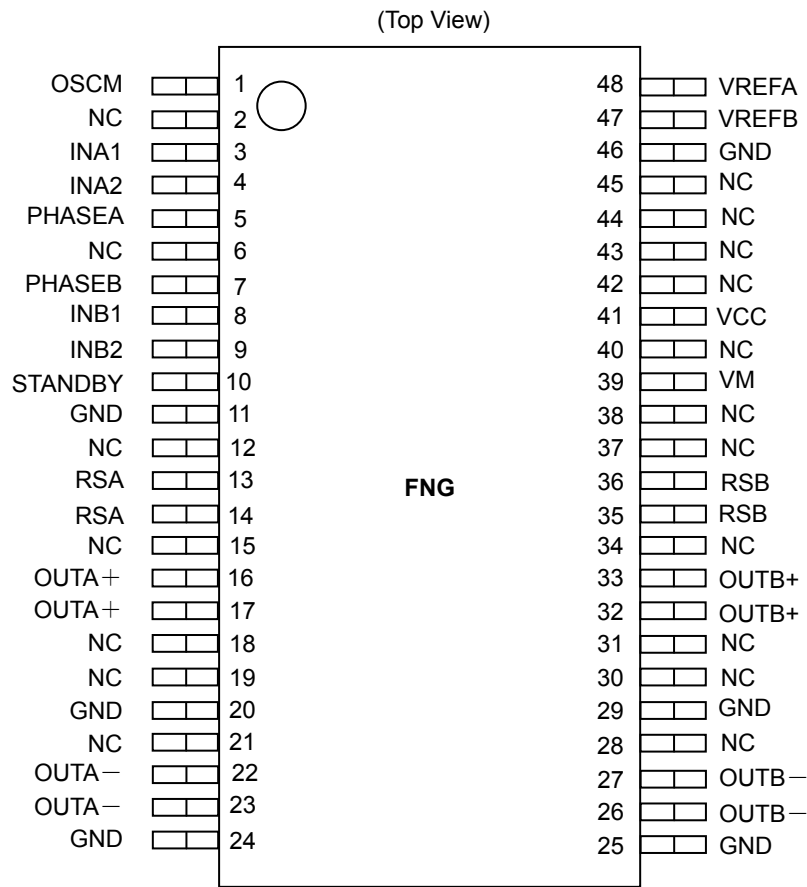
## 1. Pin assignment (TB67S101A)



Please mount the FIN of the HSOP package to the GND area of the PCB.

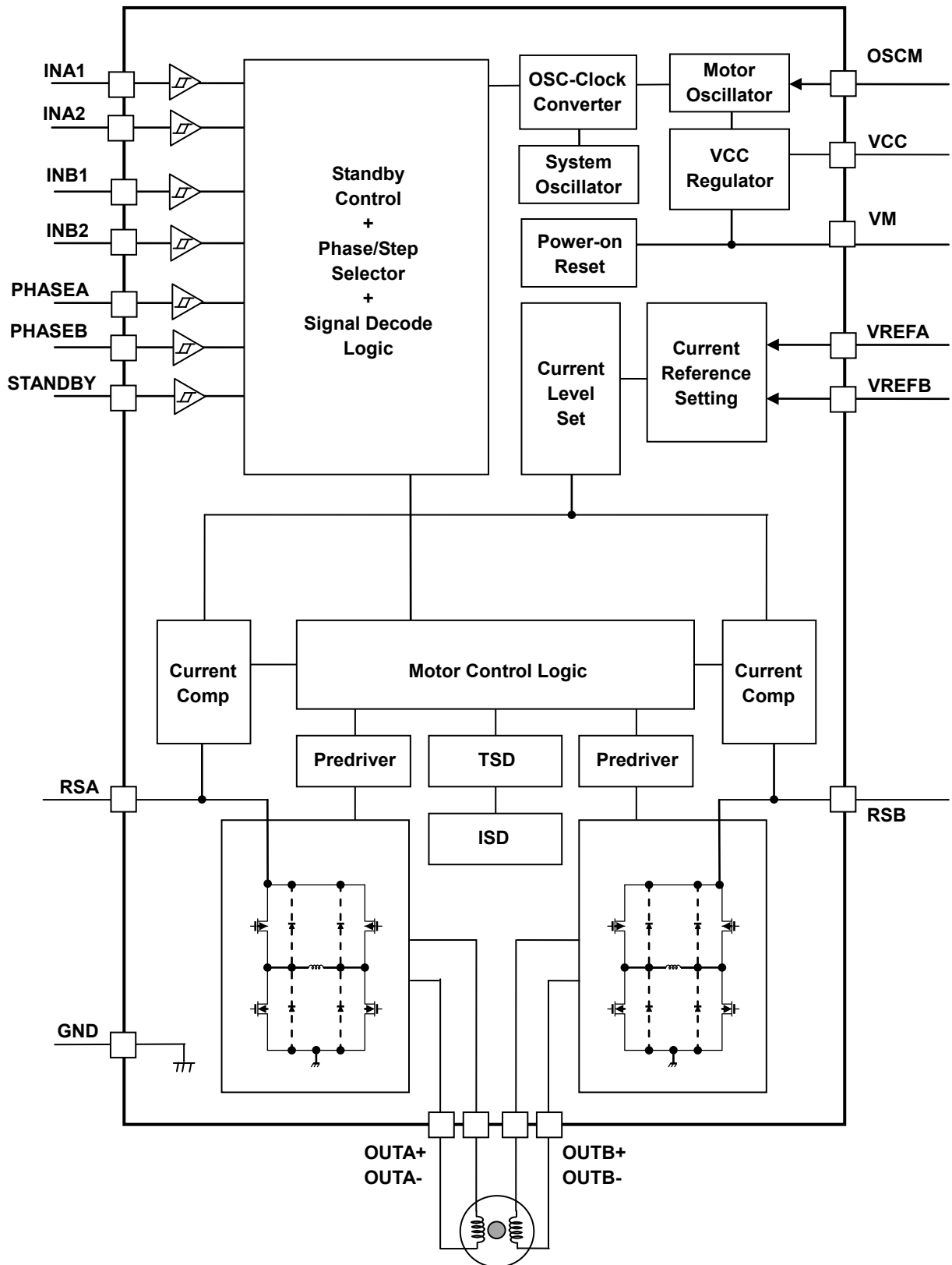


Please mount the four corner pins of the QFN package and the exposed pad to the GND area of the PCB.



Please mount the exposed pad of the HTSSOP package to the GND area of the PCB.

2. TB67S101A Block diagram



Functional blocks/circuits/constants in the block chart etc. may be omitted or simplified for explanatory purposes.

**Application Notes**

All the grounding wires of the TB67S101A must run on the solder mask on the PCB and be externally terminated at only one point. Also, a grounding method should be considered for efficient heat dissipation.

Careful attention should be paid to the layout of the output, VDD(VM) and GND traces, to avoid short circuits across output pins or to the power supply or ground. If such a short circuit occurs, the device may be permanently damaged.

Also, the utmost care should be taken for pattern designing and implementation of the device since it has power supply pins (VM, RS, OUT, GND) through which a particularly large current may run. If these pins are wired incorrectly, an operation error may occur or the device may be destroyed.

The logic input pins must also be wired correctly. Otherwise, the device may be damaged owing to a current running through the IC that is larger than the specified current.

### 3. Pin explanations

#### TB67S101AFG (HSOP28)

Pin No.1 – 28

| Pin No. | Pin Name | Function   |
|---------|----------|--|
| 1       | INA1     | Motor Ach excitation control input 1                     |
| 2       | INA2     | Motor Ach excitation control input 2                     |
| 3       | PHASEA   | Current direction signal input for motor Ach             |
| 4       | PHASEB   | Current direction signal input for motor Bch             |
| 5       | INB1     | Motor Bch excitation control input 1                     |
| 6       | INB2     | Motor Bch excitation control input 2                     |
| 7       | STANDBY  | All-function-initializing and Low power dissipation mode |
| 8       | RSA      | Motor Ach current sense pin                              |
| 9       | NC       | Non-connection pin                                       |
| 10      | OUTA+    | Motor Ach (+) output pin                                 |
| 11      | NC       | Non-connection pin                                       |
| 12      | GND      | Ground pin   |
| 13      | OUTA-    | Motor Ach (-) output pin                                 |
| 14      | GND      | Ground pin   |
| 15      | GND      | Ground pin   |
| 16      | OUTB-    | Motor Bch (-) output pin                                 |
| 17      | GND      | Ground pin   |
| 18      | NC       | Non-connection pin                                       |
| 19      | OUTB+    | Motor Bch (+) output pin                                 |
| 20      | NC       | Non-connection pin                                       |
| 21      | RSB      | Motor Bch current sense pin                              |
| 22      | VM       | Motor power supply pin                                   |
| 23      | VCC      | Internal VCC regulator monitor pin                       |
| 24      | NC       | Non-connection pin                                       |
| 25      | NC       | Non-connection pin                                       |
| 26      | VREFB    | Motor Bch output set pin                                 |
| 27      | VREFA    | Motor Ach output set pin                                 |
| 28      | OSCM     | Oscillating circuit frequency for chopping set pin       |

Please do not run patterns under NC pins.

## 3. Pin explanations

### TB67S101AFTG (QFN48)

Pin No.1 – 28

| Pin No. | Pin Name  | Function   |
|---------|-----------|--|
| 1       | NC        | Non-connection pin                                       |
| 2       | INB1      | Motor Bch excitation control input 1                     |
| 3       | INB2      | Motor Bch excitation control input 2                     |
| 4       | STANDBY   | All-function-initializing and Low power dissipation mode |
| 5       | GND       | Ground pin   |
| 6       | NC        | Non-connection pin                                       |
| 7       | RSA(*)    | Motor Ach current sense pin                              |
| 8       | RSA(*)    | Motor Ach current sense pin                              |
| 9       | NC        | Non-connection pin                                       |
| 10      | OUTA+ (*) | Motor Ach (+) output pin                                 |
| 11      | OUTA+ (*) | Motor Ach (+) output pin                                 |
| 12      | NC        | Non-connection pin                                       |
| 13      | NC        | Non-connection pin                                       |
| 14      | NC        | Non-connection pin                                       |
| 15      | GND       | Ground pin   |
| 16      | OUTA- (*) | Motor Ach (-) output pin                                 |
| 17      | OUTA- (*) | Motor Ach (-) output pin                                 |
| 18      | GND       | Ground pin   |
| 19      | GND       | Ground pin   |
| 20      | OUTB- (*) | Motor Bch (-) output pin                                 |
| 21      | OUTB- (*) | Motor Bch (-) output pin                                 |
| 22      | GND       | Ground pin   |
| 23      | NC        | Non-connection pin                                       |
| 24      | NC        | Non-connection pin                                       |
| 25      | NC        | Non-connection pin                                       |
| 26      | OUTB+ (*) | Motor Bch (+) output pin                                 |
| 27      | OUTB+ (*) | Motor Bch (+) output pin                                 |
| 28      | NC        | Non-connection pin                                       |

Pin No.29 – 48

| Pin No. | Pin Name | Function   |
|---------|----------|--|
| 29      | RSB(*)   | Motor Bch current sense pin                        |
| 30      | RSB(*)   | Motor Bch current sense pin                        |
| 31      | NC       | Non-connection pin                                 |
| 32      | VM       | Motor power supply pin                             |
| 33      | NC       | Non-connection pin                                 |
| 34      | VCC      | Internal VCC regulator monitor pin                 |
| 35      | NC       | Non-connection pin                                 |
| 36      | NC       | Non-connection pin                                 |
| 37      | NC       | Non-connection pin                                 |
| 38      | NC       | Non-connection pin                                 |
| 39      | NC       | Non-connection pin                                 |
| 40      | GND      | Ground pin   |
| 41      | VREFB    | Motor Bch output set pin                           |
| 42      | VREFA    | Motor Ach output set pin                           |
| 43      | OSCM     | Oscillating circuit frequency for chopping set pin |
| 44      | INA1     | Motor Ach excitation control input 1               |
| 45      | INA2     | Motor Ach excitation control input 2               |
| 46      | PHASEA   | Current direction signal input for motor Ach       |
| 47      | PHASEB   | Current direction signal input for motor Bch       |
| 48      | NC       | Non-connection pin                                 |

(\*) Note:

- Please do not run patterns under NC pins.
- Please connect the pins with the same pin name, while using the TB67S101A.



### 3. Pin explanations

#### TB67S101AFNG (HTSSOP48)

Pin No.1 – 28

| Pin No. | Pin Name | Function   |
|---------|----------|--|
| 1       | OSCM     | Oscillating circuit frequency for chopping set pin       |
| 2       | NC       | Non-connection pin                                       |
| 3       | INA1     | Motor Ach excitation control input 1                     |
| 4       | INA2     | Motor Ach excitation control input 2                     |
| 5       | PHASEA   | Current direction signal input for motor Ach             |
| 6       | NC       | Non-connection pin                                       |
| 7       | PHASEB   | Current direction signal input for motor Bch             |
| 8       | INB1     | Motor Bch excitation control input 1                     |
| 9       | INB2     | Motor Bch excitation control input 2                     |
| 10      | STANDBY  | All-function-initializing and Low power dissipation mode |
| 11      | GND      | Ground pin   |
| 12      | NC       | Non-connection pin                                       |
| 13      | RSA(*)   | Motor Ach current sense pin                              |
| 14      | RSA(*)   | Motor Ach current sense pin                              |
| 15      | NC       | Non-connection pin                                       |
| 16      | OUTA+(*) | Motor Ach (+) output pin                                 |
| 17      | OUTA+(*) | Motor Ach (+) output pin                                 |
| 18      | NC       | Non-connection pin                                       |
| 19      | NC       | Non-connection pin                                       |
| 20      | GND      | Ground pin   |
| 21      | NC       | Non-connection pin                                       |
| 22      | OUTA-(*) | Motor Ach (-) output pin                                 |
| 23      | OUTA-(*) | Motor Ach (-) output pin                                 |
| 24      | GND      | Ground pin   |
| 25      | GND      | Ground pin   |
| 26      | OUTB-(*) | Motor Bch (-) output pin                                 |
| 27      | OUTB-(*) | Motor Bch (-) output pin                                 |
| 28      | NC       | Non-connection pin                                       |

Pin No.29 – 48

| Pin No. | Pin Name  | Function                           |
|---------|-----------|------------------------------------|
| 29      | GND       | Ground pin                         |
| 30      | NC        | Non-connection pin                 |
| 31      | NC        | Non-connection pin                 |
| 32      | OUTB+ (*) | Motor Bch (+) output pin           |
| 33      | OUTB+ (*) | Motor Bch (+) output pin           |
| 34      | NC        | Non-connection pin                 |
| 35      | RSB (*)   | Motor Bch current sense pin        |
| 36      | RSB (*)   | Motor Bch current sense pin        |
| 37      | NC        | Non-connection pin                 |
| 38      | NC        | Non-connection pin                 |
| 39      | VM        | Motor power supply pin             |
| 40      | NC        | Non-connection pin                 |
| 41      | VCC       | Internal VCC regulator monitor pin |
| 42      | NC        | Non-connection pin                 |
| 43      | NC        | Non-connection pin                 |
| 44      | NC        | Non-connection pin                 |
| 45      | NC        | Non-connection pin                 |
| 46      | GND       | Ground pin                         |
| 47      | VREFB     | Motor Bch output set pin           |
| 48      | VREFA     | Motor Ach output set pin           |

(\*) Note:

- Please do not run patterns under NC pins.
- Please connect the pins with the same pin name, while using the TB67S101A.

## 4. INPUT/OUTPUT equivalent circuit (TB67S101A)

| Pin name  | IN/OUT signal   | Equivalent circuit |
|---|---|--------------------|
| INA1<br>INA2<br>PHASEA<br>INB1<br>INB2<br>PHASEB<br>STANDBY | Digital Input (VIH/VIL)<br><br>VIH: 2.0V(min)~5.5V(max)<br>VIL : 0V(min)~0.8V(max)                |                    |
| VCC<br>VREFA<br>VREFB                                       | VCC voltage range<br>4.75V(min)~5.0V(typ)~5.25V(max)<br><br>VREF voltage range<br>0V~3.6V         |                    |
| OSCM  | OSCM frequency setting range<br>0.64MHz(min)~1.12MHz(typ)~2.4MHz(max)                             |                    |
| OUTA+<br>OUTA-<br>OUTB+<br>OUTB-<br>RSA<br>RSB              | VM power supply voltage range<br>10V(min)~47V(max)<br><br>OUTPUT pin voltage<br>10V(min)~47V(max) |                    |

The equivalent circuit diagrams may be simplified or some parts of them may be omitted for explanatory purposes.

## 5. Function explanation (Stepping motor)

Motor output current (Iout) : The flow from OUT+ to OUT- is plus current. The flow from OUT- to OUT+ is minus current.

### <Full step resolution>

| Ach    |      |        | Bch     |        |      |        |         |
|--------|------|--------|---------|--------|------|--------|---------|
| Input  |      | Output | Input   |        |      | Output |         |
| PHASEA | INA1 | INA2   | Iout(A) | PHASEB | INB1 | INB2   | Iout(B) |
| H      | H    | H      | +100%   | H      | H    | H      | +100%   |
| L      | H    | H      | -100%   | H      | H    | H      | +100%   |
| L      | H    | H      | -100%   | L      | H    | H      | -100%   |
| H      | H    | H      | +100%   | L      | H    | H      | -100%   |

Please set INA1, INA2, INB1, and INB2 to Low until VM power supply reaches the proper operating range.

### <Half step resolution>

| Ach    |      |        | Bch     |        |      |        |         |
|--------|------|--------|---------|--------|------|--------|---------|
| Input  |      | Output | Input   |        |      | Output |         |
| PHASEA | INA1 | INA2   | Iout(A) | PHASEB | INB1 | INB2   | Iout(B) |
| H      | H    | H      | +100%   | H      | H    | H      | +100%   |
| -      | L    | L      | 0%      | H      | H    | H      | +100%   |
| L      | H    | H      | -100%   | H      | H    | H      | +100%   |
| L      | H    | H      | -100%   | -      | L    | L      | 0%      |
| L      | H    | H      | -100%   | L      | H    | H      | -100%   |
| -      | L    | L      | 0%      | L      | H    | H      | -100%   |
| H      | H    | H      | +100%   | L      | H    | H      | -100%   |
| H      | H    | H      | +100%   | -      | L    | L      | 0%      |

- : Don't care

## <Quarter step resolution>

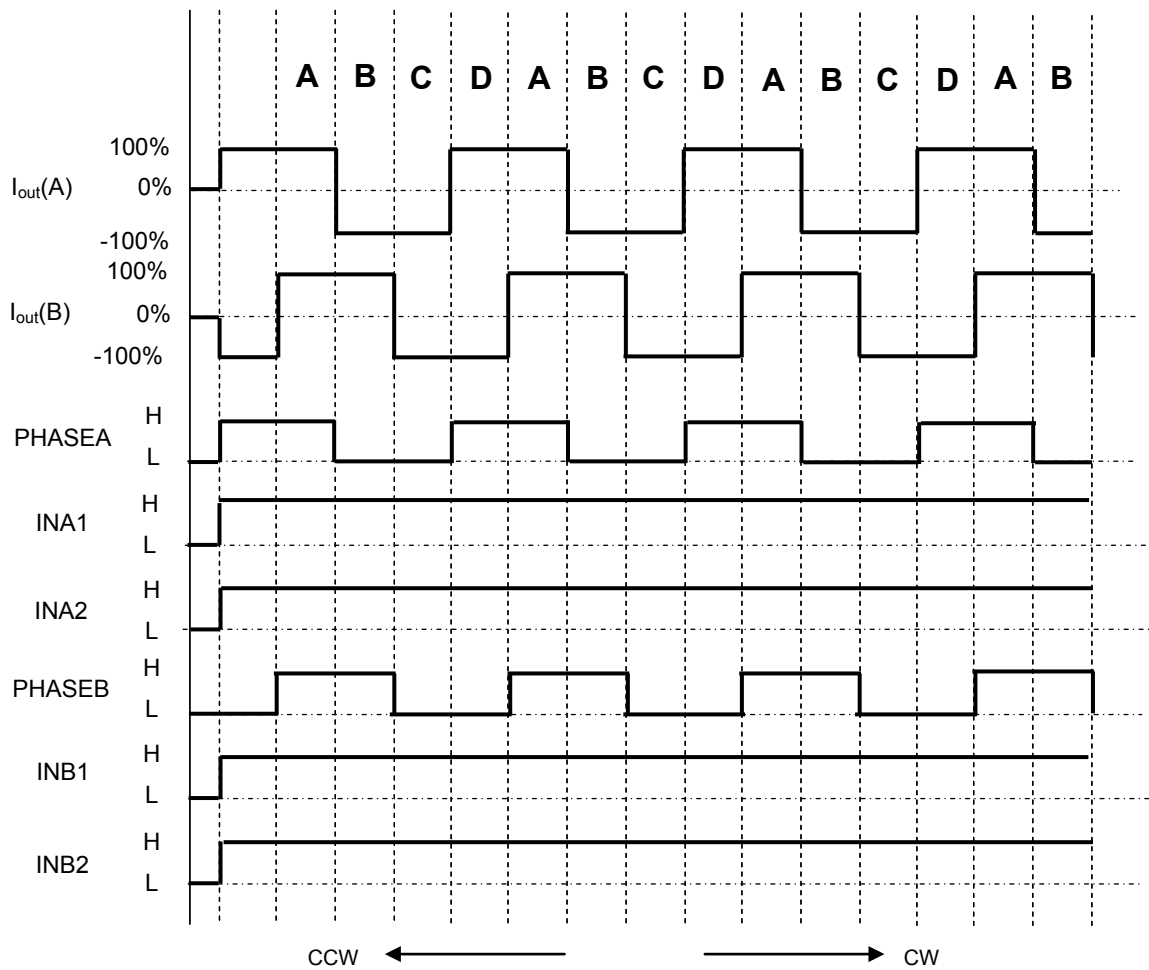
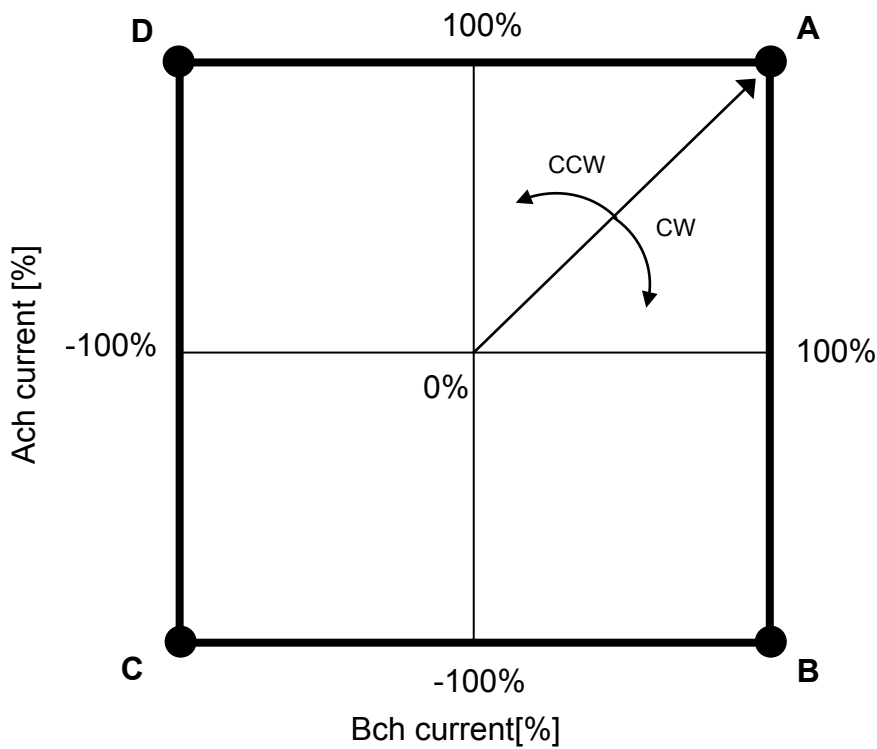
| Ach    |      |      |         | Bch    |      |      |         |
|--------|------|------|---------|--------|------|------|---------|
| Input  |      |      | Output  | Input  |      |      | Output  |
| PHASEA | INA1 | INA2 | Iout(A) | PHASEB | INB1 | INB2 | Iout(B) |
| H      | H    | L    | +71%    | H      | H    | L    | +71%    |
| H      | L    | H    | +38%    | H      | H    | H    | +100%   |
| X      | L    | L    | 0%      | H      | H    | H    | +100%   |
| L      | L    | H    | -38%    | H      | H    | H    | +100%   |
| L      | H    | L    | -71%    | H      | H    | L    | +71%    |
| L      | H    | H    | -100%   | H      | L    | H    | +38%    |
| L      | H    | H    | -100%   | X      | L    | L    | 0%      |
| L      | H    | H    | -100%   | L      | L    | H    | -38%    |
| L      | H    | L    | -71%    | L      | H    | L    | -71%    |
| L      | L    | H    | -38%    | L      | H    | H    | -100%   |
| X      | L    | L    | 0%      | L      | H    | H    | -100%   |
| H      | L    | H    | +38%    | L      | H    | H    | -100%   |
| H      | H    | L    | +71%    | L      | H    | L    | -71%    |
| H      | H    | H    | +100%   | L      | L    | H    | -38%    |
| H      | H    | H    | +100%   | X      | L    | L    | 0%      |
| H      | H    | H    | +100%   | H      | L    | H    | +38%    |

X : Don't care

## Others

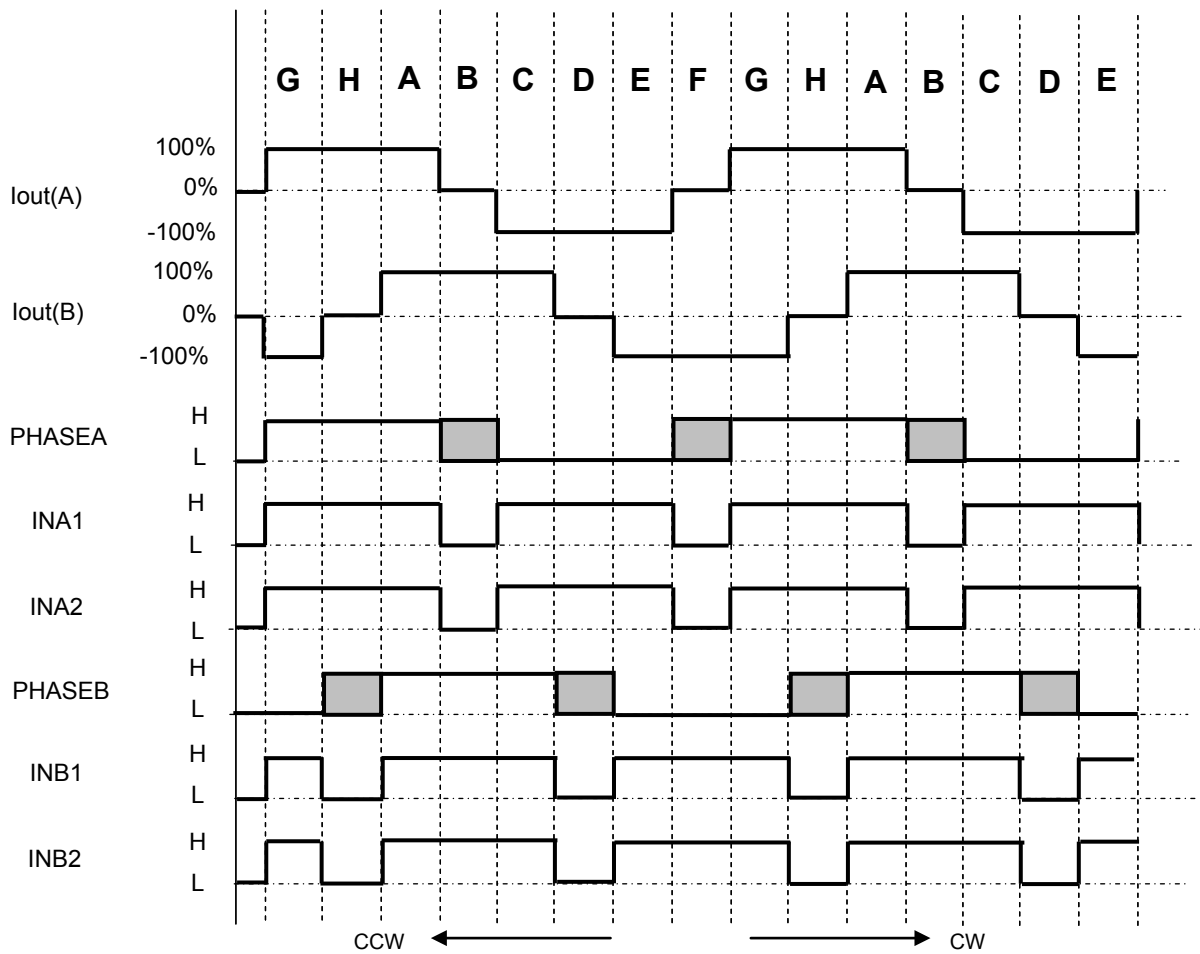
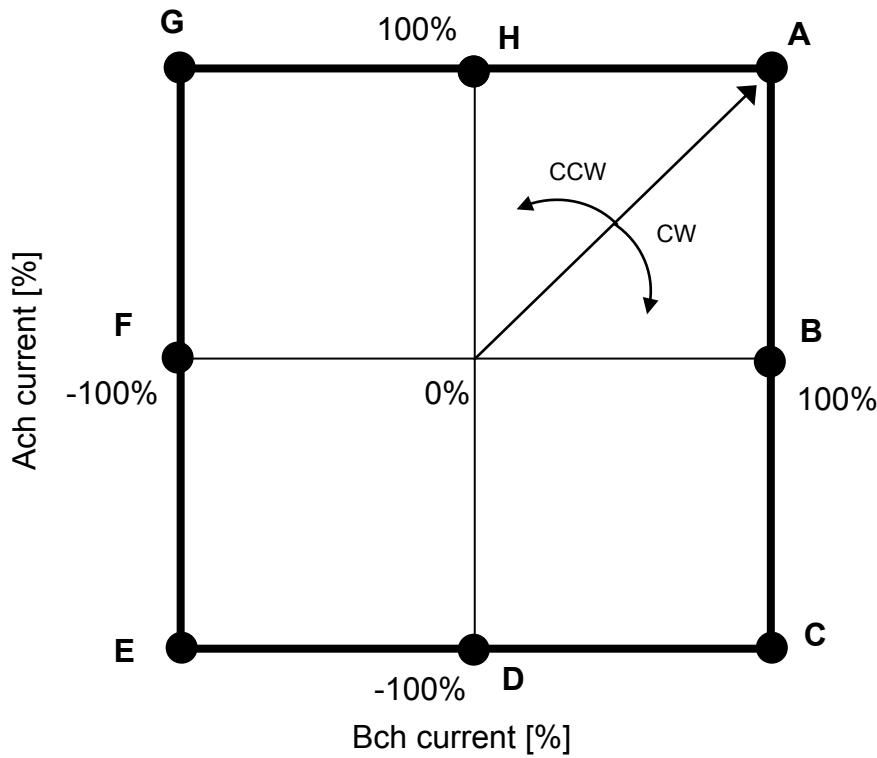
| Pin Name                 | H  | L                  | Notes   |
|--------------------------|--|--------------------|---|
| INA1, INA2<br>INB1, INB2 | The current value of each ch is set up with 2 input 4 value. |                    | Please refer to the above-mentioned current value setting table.  |
| PHASEA<br>PHASEB         | OUT+: H<br>OUT-: L   | OUT+: L<br>OUT-: H | In PHASE=H, Charge current flows in the direction of OUT- from OUT+.  |
| STANDBY                  | Standby release  | Standby mode       | In STANDBY= L, an internal oscillating circuit and a motor output part are stopped. (The drive of a motor cannot be performed.) |

**Current phasor (Full step resolution)**



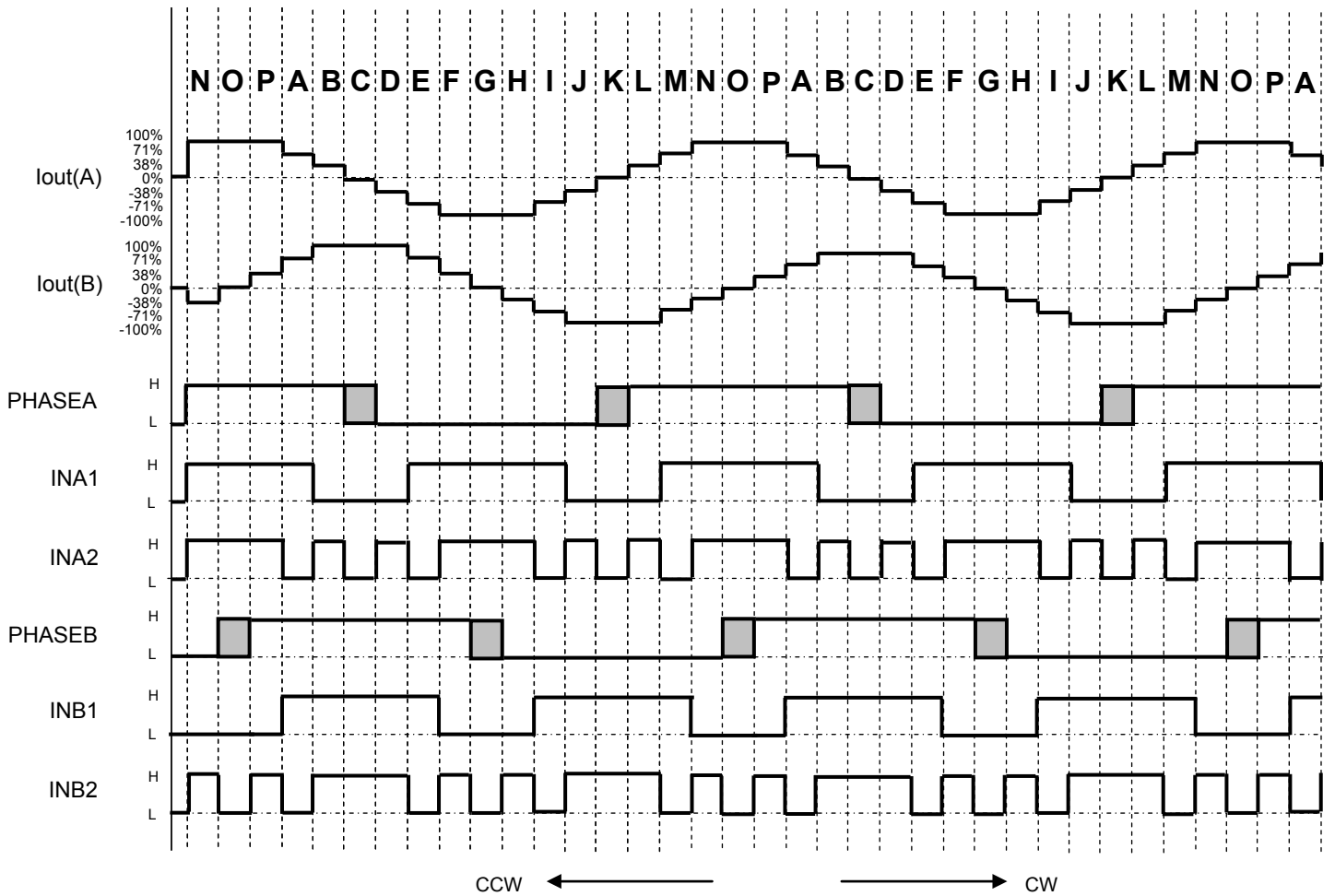
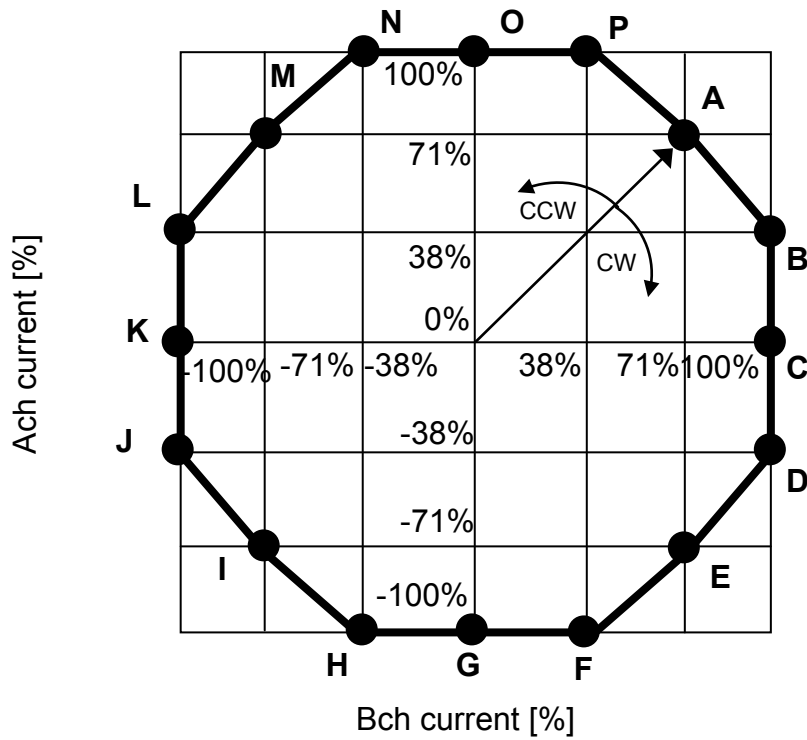
Timing charts may be simplified for explanatory purpose.  
 Please set INA1, INA2, INB1, and INB2 to Low until VM power supply reaches the proper operating range.

**Current phasor (Half step resolution)**



Timing charts may be simplified for explanatory purpose.  
 Please set INA1, INA2, INB1, and INB2 to Low until VM power supply reaches the proper operating range.

## Current phasor (Quarter step resolution)



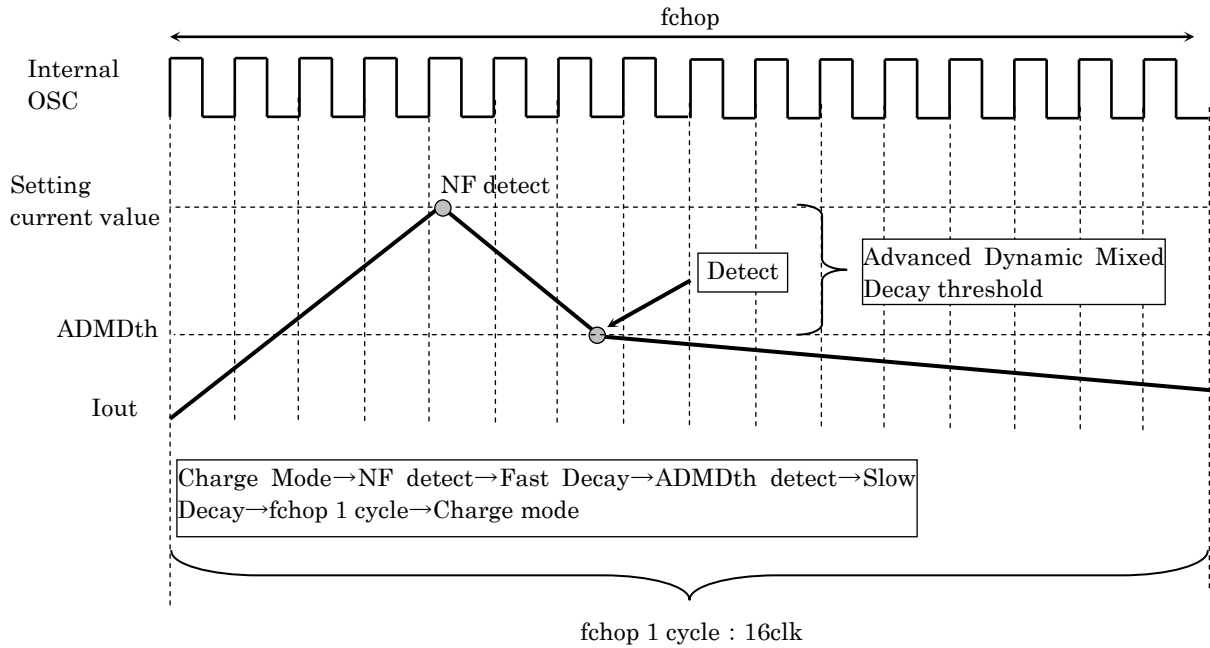
Timing charts may be simplified for explanatory purpose.  
Please set INA1, INA2, INB1, and INB2 to Low until VM power supply reaches the proper operating range.



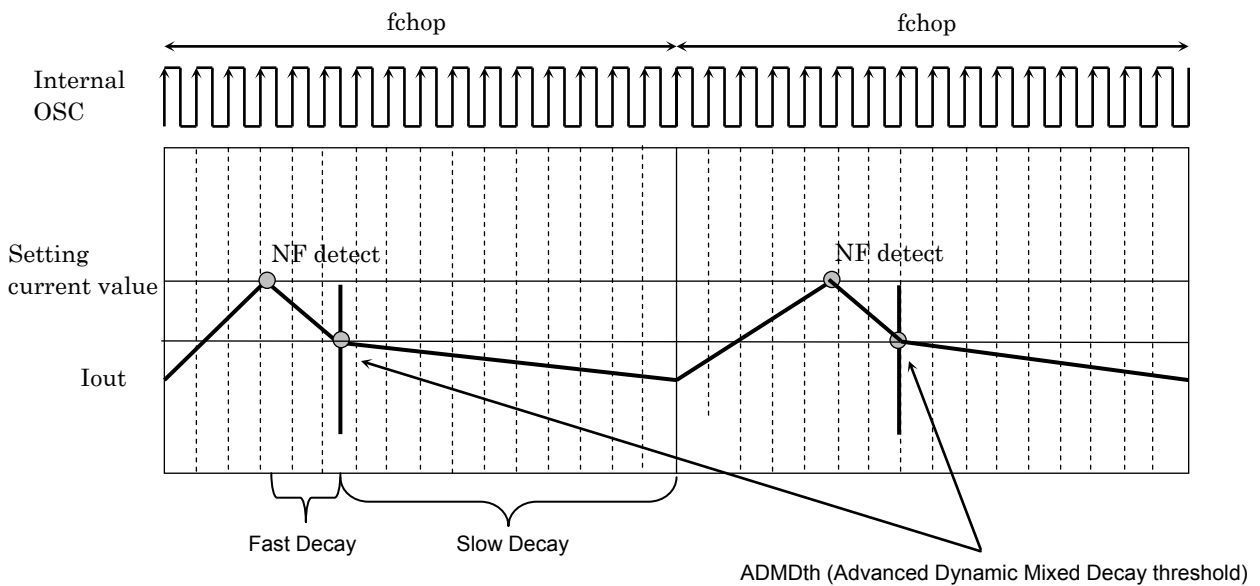
**6. Decay function**

**ADMD(Advanced Dynamic Mixed Decay) constant current control**

The Advanced Dynamic Mixed Decay threshold, which determines the current ripple level during current feedback control, is a unique value.



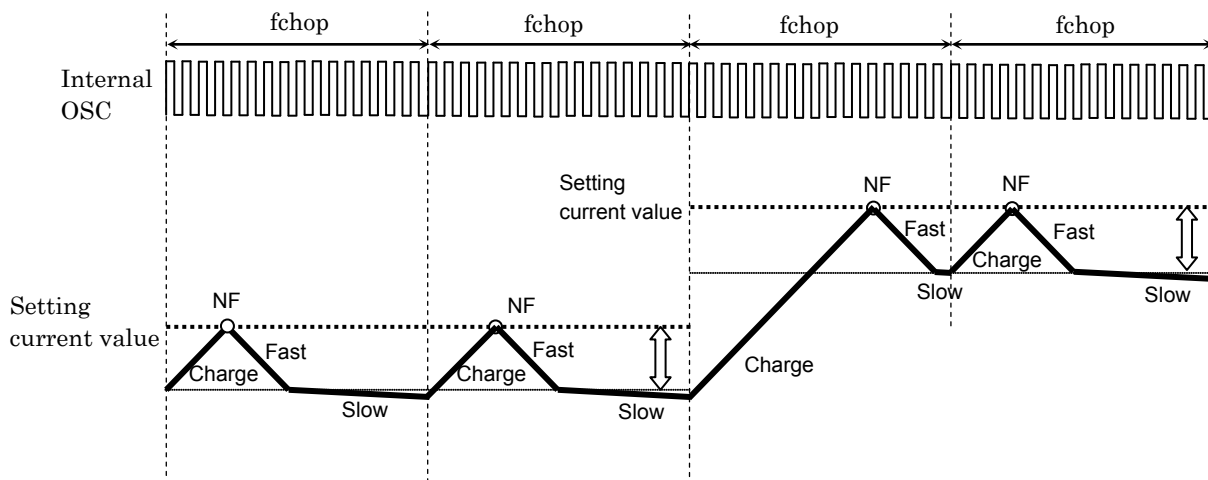
**Auto Decay Mode current waveform**



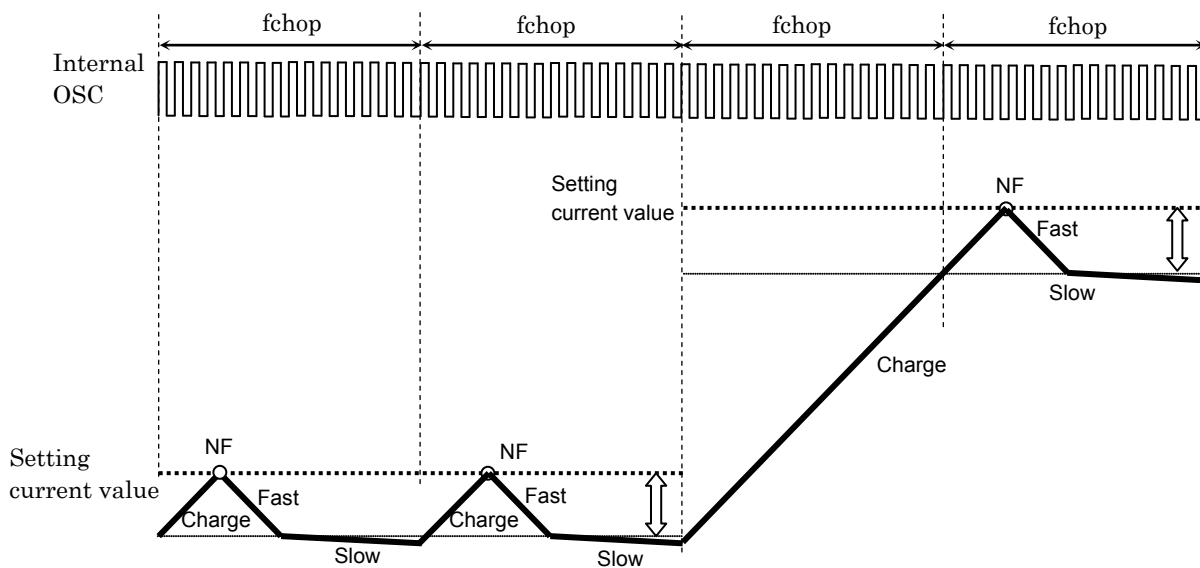
Timing charts may be simplified for explanatory purpose.

## ADMD current waveform

•When the next current step is higher :

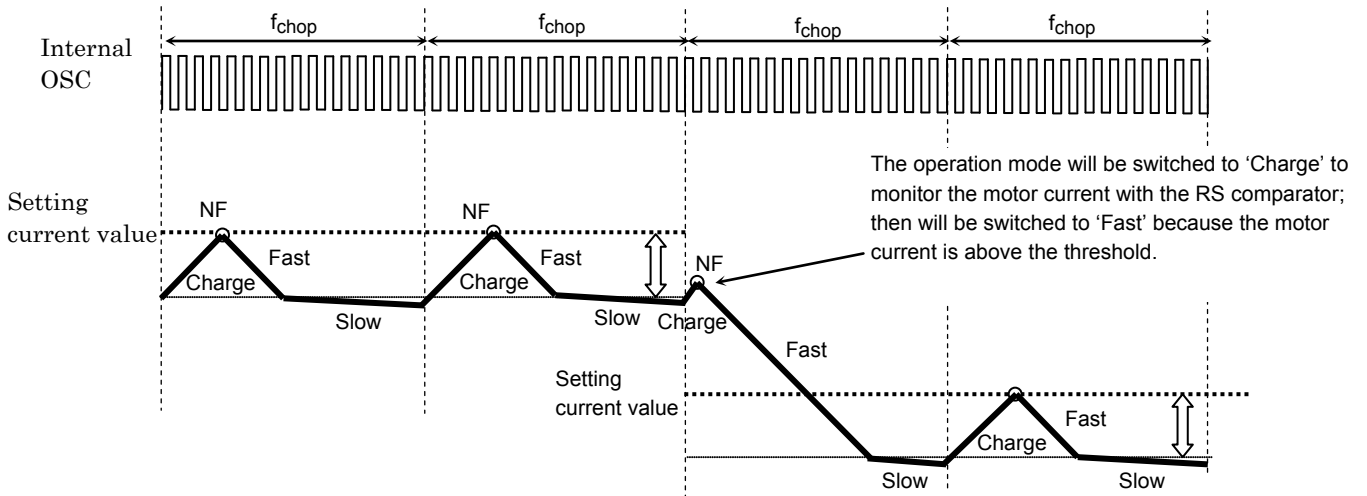


•When Charge period is more than 1 fchop cycle :

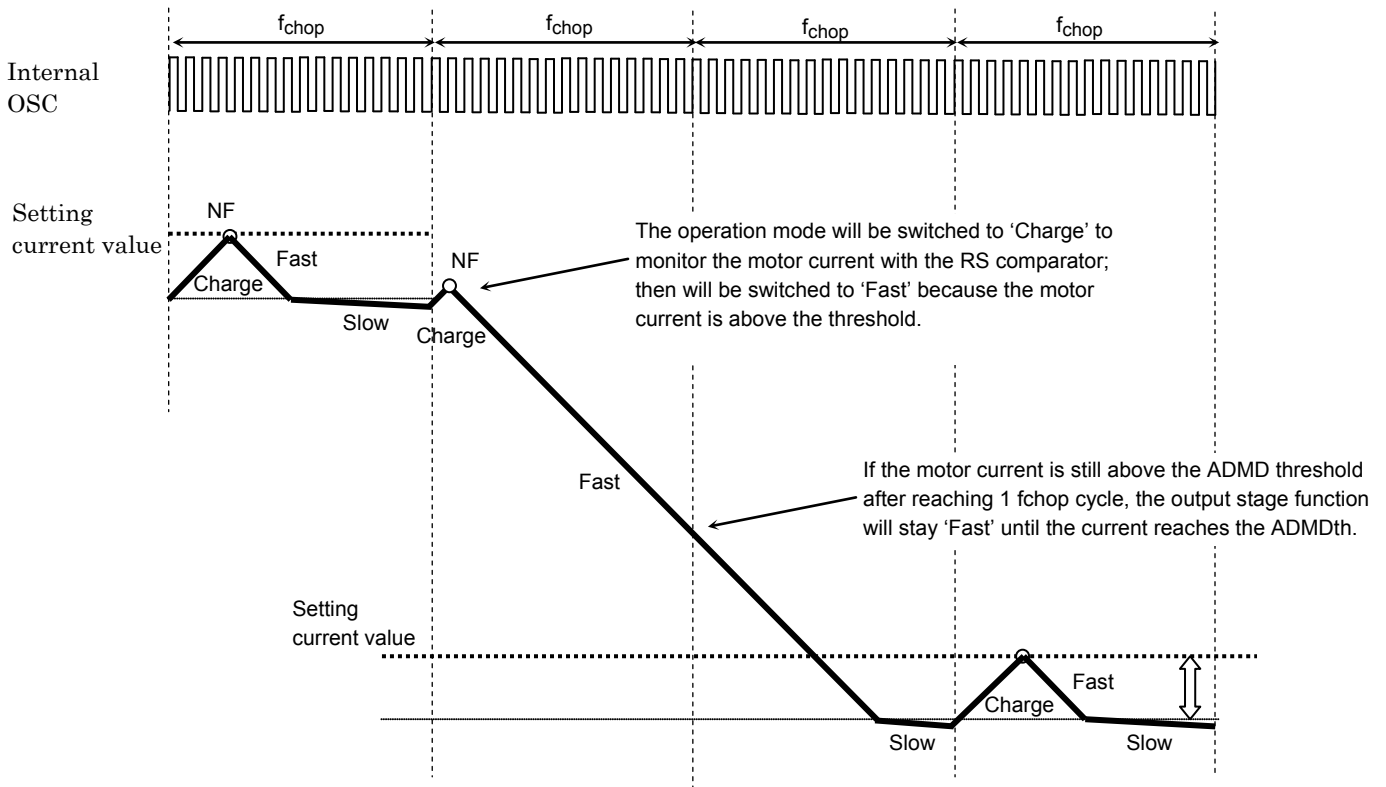


When the Charge period is longer than fchop cycle, the Charge period will be extended until the motor current reaches the NF threshold. Once the current reaches the next current step, then the sequence will go on to decay mode.

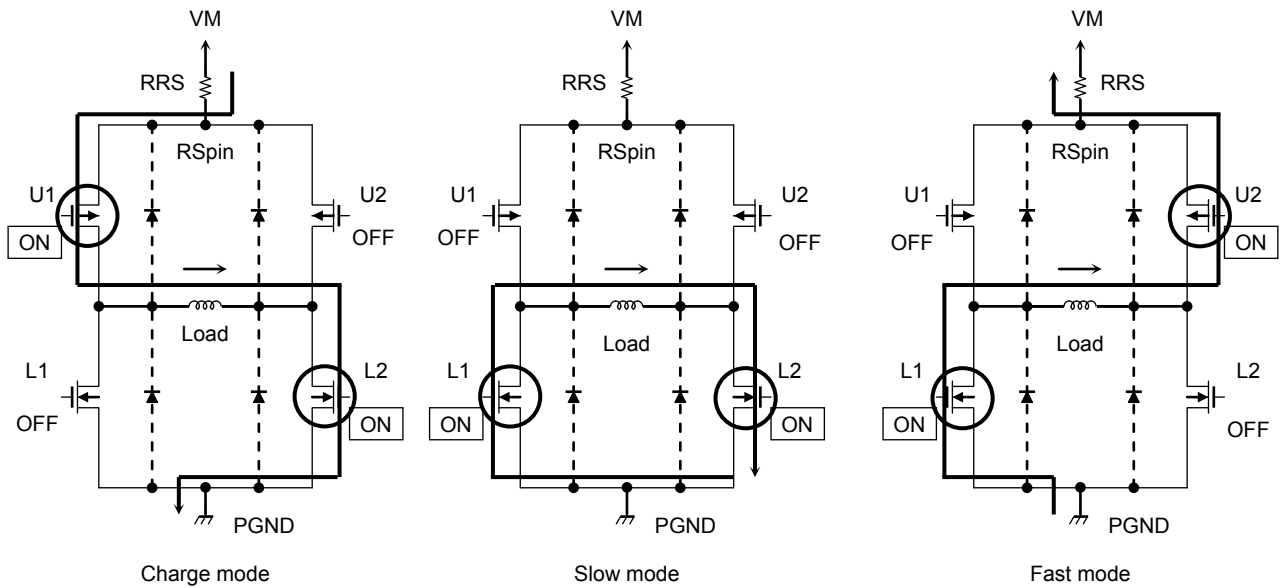
**•When the next current step is lower :**



**•When the Fast continues past 1 f\_chop cycle (the motor current not reaching the ADMD threshold during 1 f\_chop cycle)**



**7. Output transistor function mode**



**Output transistor function**

| MODE   | U1  | U2  | L1  | L2  |
|--------|-----|-----|-----|-----|
| CHARGE | ON  | OFF | OFF | ON  |
| SLOW   | OFF | OFF | ON  | ON  |
| FAST   | OFF | ON  | ON  | OFF |

Note: This table shows an example of when the current flows as indicated by the arrows in the figures shown above. If the current flows in the opposite direction, refer to the following table.

| MODE   | U1  | U2  | L1  | L2  |
|--------|-----|-----|-----|-----|
| CHARGE | OFF | ON  | ON  | OFF |
| SLOW   | OFF | OFF | ON  | ON  |
| FAST   | ON  | OFF | OFF | ON  |

This IC controls the motor current to be constant by 3 modes listed above.

The equivalent circuit diagrams may be simplified or some parts of them may be omitted for explanatory purposes.

**8. Calculation of the Predefined Output Current**

For PWM constant-current control, this IC uses a clock generated by the OSCM oscillator. The peak output current (Setting current value) can be set via the current-sensing resistor (RS) and the reference voltage (Vref), as follows:

$$I_{out(max)} = V_{ref(gain)} \times \frac{V_{ref(V)}}{R_{RS}(\Omega)}$$

Vref(gain) : the Vref decay rate is 1/ 5.0 (typ.)

For example : In the case of a 100% setup when Vref = 3.0 V, Torque=100%,RS=0.51Ω, the motor constant current (Setting current value) will be calculated as:

$$I_{out} = 3.0V / 5.0 / 0.51\Omega = 1.18 A$$

**9. Calculation of the OSCM oscillation frequency (chopper reference frequency)**

An approximation of the OSCM oscillation frequency (fOSCM) and chopper frequency (fchop) can be calculated by the following expressions.

$$f_{OSCM} = 1 / [0.56 \times \{C \times (R1 + 500)\}]$$

.....C,R1: External components for OSCM (C=270pF , R1=5.1kΩ => fOSCM =About 1.12MHz(Typ.))

$$f_{chop} = f_{OSCM} / 16$$

.....fOSCM=1.12MHz => fchop =About 70kHz

If chopping frequency is raised, Rippl of current will become small and wave-like reproducibility will improve. However, the gate loss inside IC goes up and generation of heat becomes large.

By lowering chopping frequency, reduction in generation of heat is expectable. However, Rippl of current may become large. It is a standard about about 70 kHz. A setup in the range of 50 to 100 kHz is recommended.

## Absolute Maximum Ratings (Ta = 25°C)

| Characteristics             |          | Symbol  | Rating  | Unit | Remarks                  |
|-----------------------------|----------|---------|---------|------|--------------------------|
| Motor power supply          |          | VM      | 50      | V    | -                        |
| Motor output voltage        |          | Vout    | 50      | V    | -                        |
| Motor output current        |          | Iout    | 4.0     | A    | Note1                    |
| Internal Logic power supply |          | VCC     | 6.0     | V    | When externally applied. |
| Logic input voltage         |          | VIN(H)  | 6.0     | V    | -                        |
|                             |          | VIN(L)  | -0.4    | V    | -                        |
| Vref input voltage          |          | Vref    | 5.0     | V    | -                        |
| Power dissipation           | QFN48    | PD      | 1.3     | W    | Note2                    |
|                             | HTSSOP48 | PD      | 1.3     | W    | Note2                    |
|                             | HSOP28   | PD      | 1.15    | W    | Note2                    |
| Operating temperature       |          | TOPR    | -20~85  | °C   | -                        |
| Storage temperature         |          | TSTR    | -55~150 | °C   | -                        |
| Junction temperature        |          | Tj(max) | 150     | °C   | -                        |

Note 1: Usually, the maximum current value at the time should use 70% or less of the absolute maximum ratings for a standard on thermal rating. The maximum output current may be further limited in view of thermal considerations, depending on ambient temperature and board conditions.

Note 2: Device alone (Ta =25°C)

Ta: Ambient temperature

Topr: Ambient temperature while the IC is active

Tj: Junction temperature while the IC is active. The maximum junction temperature is limited by the thermal shutdown (TSD) circuitry. It is advisable to keep the maximum current below a certain level so that the maximum junction temperature, Tj (MAX), will not exceed 120°C.

### Caution) Absolute maximum ratings

The absolute maximum ratings of a semiconductor device are a set of ratings that must not be exceeded, even for a moment. Do not exceed any of these ratings.

Exceeding the rating (s) may cause device breakdown, damage or deterioration, and may result in injury by explosion or combustion.

The value of even one parameter of the absolute maximum ratings should not be exceeded under any circumstances. The TB67S101A does not have overvoltage detection circuit. Therefore, the device is damaged if a voltage exceeding its rated maximum is applied.

All voltage ratings, including supply voltages, must always be followed. The other notes and considerations described later should also be referred to.

## Operation Ranges (Ta=-20 to 85°C)

| Characteristics       | Symbol       | Min | Typ. | Max | Unit | Remarks                |
|-----------------------|--------------|-----|------|-----|------|------------------------|
| Motor power supply    | VM           | 10  | 24   | 47  | V    |                        |
| Motor output current  | Iout         | -   | 1.5  | 3.0 | A    | Note1                  |
| Logic input voltage   | VIN(H)       | 2.0 | -    | 5.5 | V    | Logic input High Level |
|                       | VIN(L)       | 0   | -    | 0.8 | V    | Logic input Low Level  |
| Phase input frequency | fPHASE       | -   | -    | 400 | kHz  |                        |
| Chopper frequency     | fchop(range) | 40  | 70   | 150 | kHz  |                        |
| Vref input voltage    | Vref         | GND | 2.0  | 3.6 | V    |                        |

Note 1: Maximum current for actual usage may be limited by the operating circumstances such as operating conditions (exciting mode, operating time, and so on), ambient temperature, and heat conditions (board condition and so on).

**Electrical Specifications 1 (Ta = 25°C, VM = 24 V, unless specified otherwise)**

| Characteristics                                    |           | Symbol    | Test condition                                     | Min | Typ. | Max | Unit |
|--|-----------|-----------|--|-----|------|-----|------|
| Logic input voltage                                | HIGH      | VIN(H)    | Logic input pin (*)                                | 2.0 | -    | 5.5 | V    |
|  | LOW       | VIN(L)    | Logic input pin (*)                                | 0   | -    | 0.8 | V    |
| Logic input hysteresis voltage                     |           | VIN(HYS)  | Logic input pin (*)                                | 100 | -    | 300 | mV   |
| Logic input current                                | HIGH      | IIN(H)    | Logic input voltage=3.3V                           | -   | 33   | -   | μA   |
|  | LOW       | IIN(L)    | Logic input voltage=0V                             | -   | -    | 1   | μA   |
| Power consumption                                  |           | IM1       | Output pins=open, STANDBY=L                        | -   | 2    | 3.5 | mA   |
|  |           | IM2       | Output pins=open, STANDBY=H                        | -   | 3.5  | 5.5 | mA   |
|  |           | IM3       | Output pins=open<br>Full step resolution           | -   | 5.5  | 7   | mA   |
| Output leakage current                             | High-side | IOH       | VRS=VM=50V, Vout=0V                                | -   | -    | 1   | μA   |
|  | Low-side  | IOL       | VRS=VM=Vout=50V                                    | 1   | -    | -   | μA   |
| Motor current channel differential                 |           | ΔIout1    | Current differential between Ch                    | -5  | 0    | 5   | %    |
| Motor current setting accuracy                     |           | ΔIout2    | Iout=1.5A  | -5  | 0    | 5   | %    |
| RS pin current                                     |           | IRS       | VRS=VM=24V   | 0   | -    | 10  | μA   |
| Motor output ON-resistance<br>(High-side+Low-side) |           | Ron(S)_PN | Tj=25°C, Forward direction<br>(High-side+Low-side) | —   | 0.49 | 0.6 | Ω    |

\*: VIN (H) is defined as the VIN voltage that causes the outputs (OUTA,OUTB) to change when a pin under test is gradually raised from 0 V. VIN (L) is defined as the V IN voltage that causes the outputs (OUTA, OUTB) to change when the pin is then gradually lowered. The difference between VIN (H) and VIN (L) is defined as the input hysteresis.

\*: When the logic signal is applied to the device whilst the VM power supply is not asserted; the device is designed not to function, but for safe usage, please apply the logic signal after the VM power supply is asserted and the VM voltage reaches the proper operating range.

**Electrical Specifications 2 (Ta =25°C, VM = 24 V, unless specified otherwise)**

| Characteristics                                | Symbol     | Test condition | Min   | Typ.  | Max   | Unit |
|--|------------|----------------|-------|-------|-------|------|
| Vref input current                             | Iref       | Vref=2.0V      | -     | 0     | 1     | μA   |
| VCC voltage                                    | VCC        | ICC=5.0mA      | 4.75  | 5.0   | 5.25  | V    |
| VCC current                                    | ICC        | VCC=5.0V       | -     | 2.5   | 5     | mA   |
| Vref gain rate                                 | Vref(gain) | Vref=2.0V      | 1/5.2 | 1/5.0 | 1/4.8 | —    |
| Thermal shutdown(TSD) threshold (Note1)        | TjTSD      | —              | 145   | 160   | 175   | °C   |
| VM recovery voltage                            | VMR        | —              | 7.0   | 8.0   | 9.0   | V    |
| Over-current detection (ISD) threshold (Note2) | ISD        | —              | 4.1   | 4.9   | 5.7   | A    |

**Note1: About TSD**

When the junction temperature of the device reached the TSD threshold, the TSD circuit is triggered; the internal reset circuit then turns off the output transistors. Noise rejection blanking time is built-in to avoid misdetection. Once the TSD circuit is triggered, the device will be set to standby mode, and can be cleared by reasserting the VM power source, or setting the DMODE pins to standby mode. The TSD circuit is a backup function to detect a thermal error, therefore is not recommended to be used aggressively.

**Note2: About ISD**

When the output current reaches the threshold, the ISD circuit is triggered; the internal reset circuit then turns off the output transistors. Once the ISD circuit is triggered, the device keeps the output off until power-on reset (POR), is reasserted or the device is set to standby mode by DMODE pins. For fail-safe, please insert a fuse to avoid secondary trouble.

**Back-EMF**

While a motor is rotating, there is a timing at which power is fed back to the power supply. At that timing, the motor current recirculates back to the power supply due to the effect of the motor back-EMF.

If the power supply does not have enough sink capability, the power supply and output pins of the device might rise above the rated voltages. The magnitude of the motor back-EMF varies with usage conditions and motor characteristics. It must be fully verified that there is no risk that the TB67S101A or other components will be damaged or fail due to the motor back-EMF.

**Cautions on Overcurrent Shutdown (ISD) and Thermal Shutdown (TSD)**

The ISD and TSD circuits are only intended to provide temporary protection against irregular conditions such as an output short-circuit; they do not necessarily guarantee the complete IC safety.

If the device is used beyond the specified operating ranges, these circuits may not operate properly: then the device may be damaged due to an output short-circuit.

The ISD circuit is only intended to provide a temporary protection against an output short-circuit. If such a condition persists for a long time, the device may be damaged due to overstress. Overcurrent conditions must be removed immediately by external hardware.

**IC Mounting**

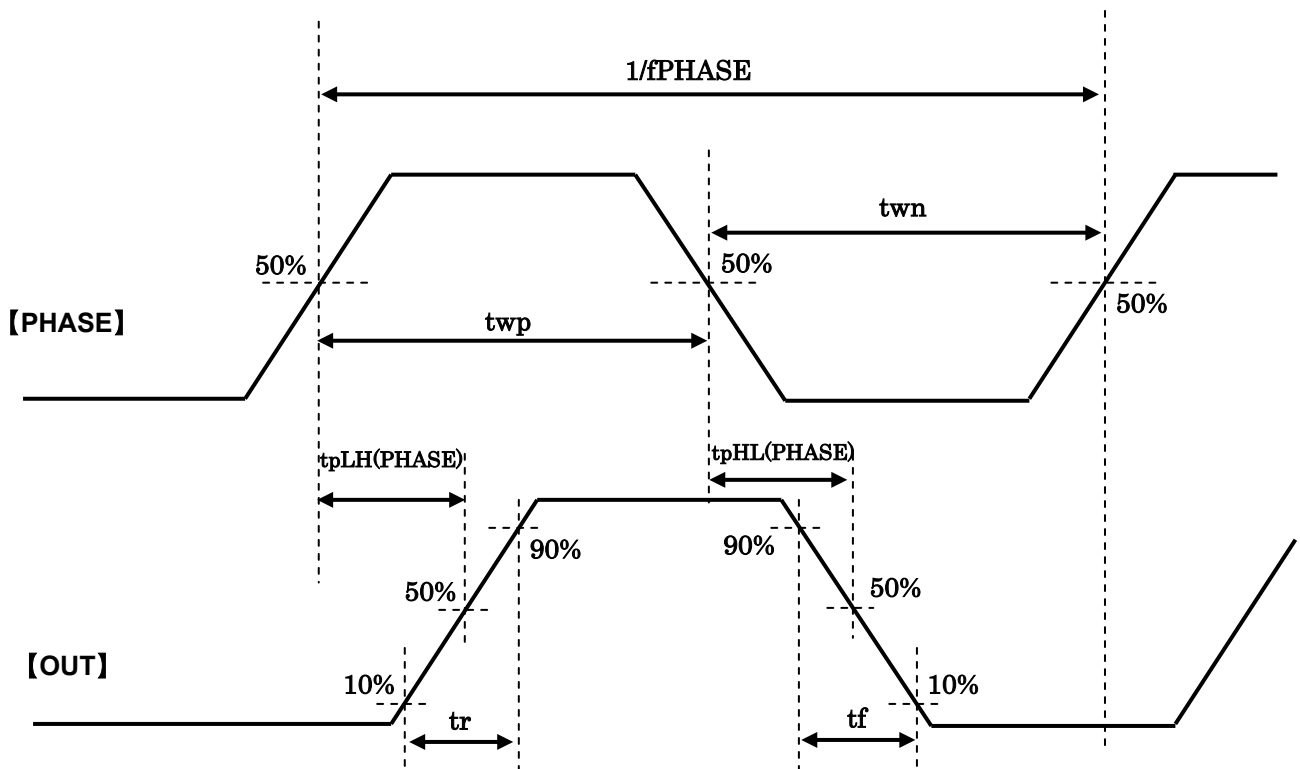
Do not insert devices incorrectly or in the wrong orientation. Otherwise, it may cause breakdown, damage and/or deterioration of the device.



## AC Electrical Specification (Ta = 25°C, VM = 24 V, 6.8 mH/5.7 Ω)

| Characteristics                      | Symbol      | Test condition                                 | Min | Typ. | Max  | Unit |
|--------------------------------------|-------------|--|-----|------|------|------|
| Minimum PHASE pulse width            | fPHASE(min) | —  | 100 | -    | -    | ns   |
|                                      | twp         | —  | 50  | -    | -    |      |
|                                      | twn         | —  | 50  | -    | -    |      |
| Output transistor switching specific | tr          | —  | 30  | 80   | 130  | ns   |
|                                      | tf          | —  | 40  | 90   | 140  |      |
|                                      | tpLH(PHASE) | PHASE - Output                                 | 250 | -    | 1200 |      |
|                                      | tpHL(PHASE) | PHASE - Output                                 | 250 | -    | 1200 |      |
| Analog noise blanking time           | AtBLK       | VM=24V, Iout=1.5A<br>Analog tblank             | 250 | 400  | 550  | ns   |
| Oscillator frequency accuracy        | ΔfOSCM      | COSC=270pF, ROsc=5.1kΩ                         | -15 | -    | +15  | %    |
| Oscillator reference frequency       | fOSCM       | COSC=270pF, ROsc=5.1kΩ                         | 952 | 1120 | 1288 | kHz  |
| Chopping frequency                   | fchop       | Output:Active(IOUT =1.5 A),<br>fOSC = 1120 kHz | -   | 70   | -    | kHz  |

## AC Electrical Specification Timing chart

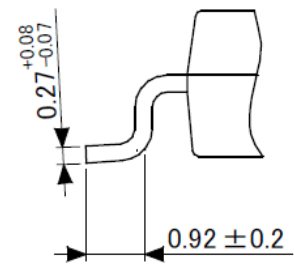
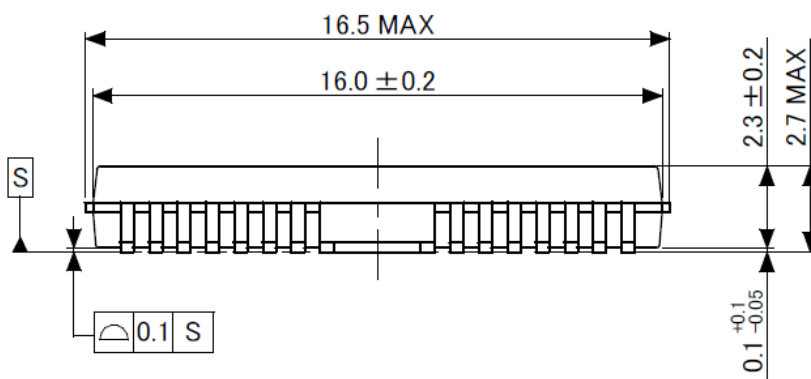
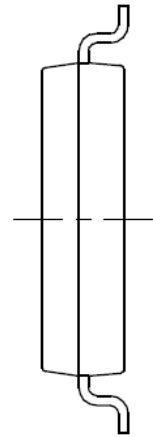
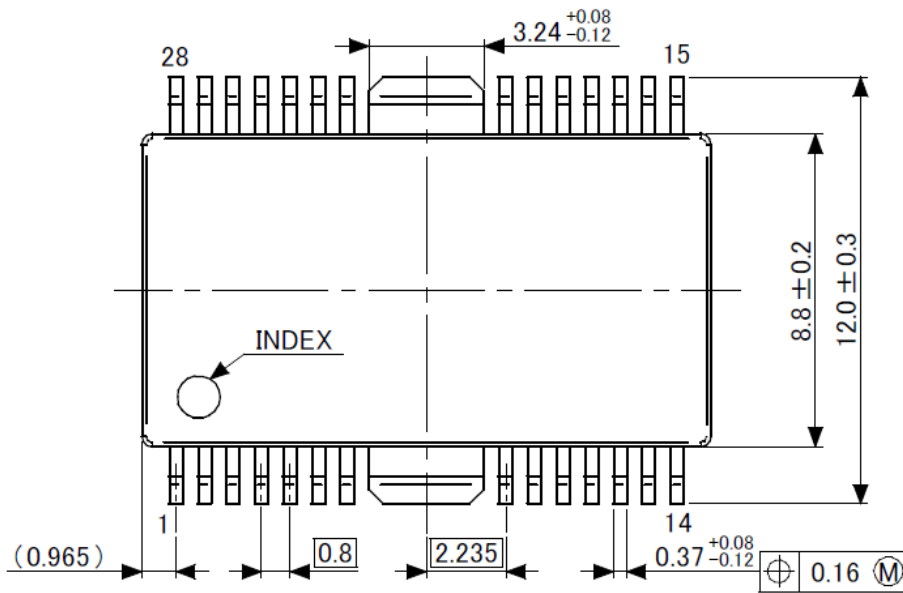


Timing charts may be simplified for explanatory purpose.

**Package Dimensions**

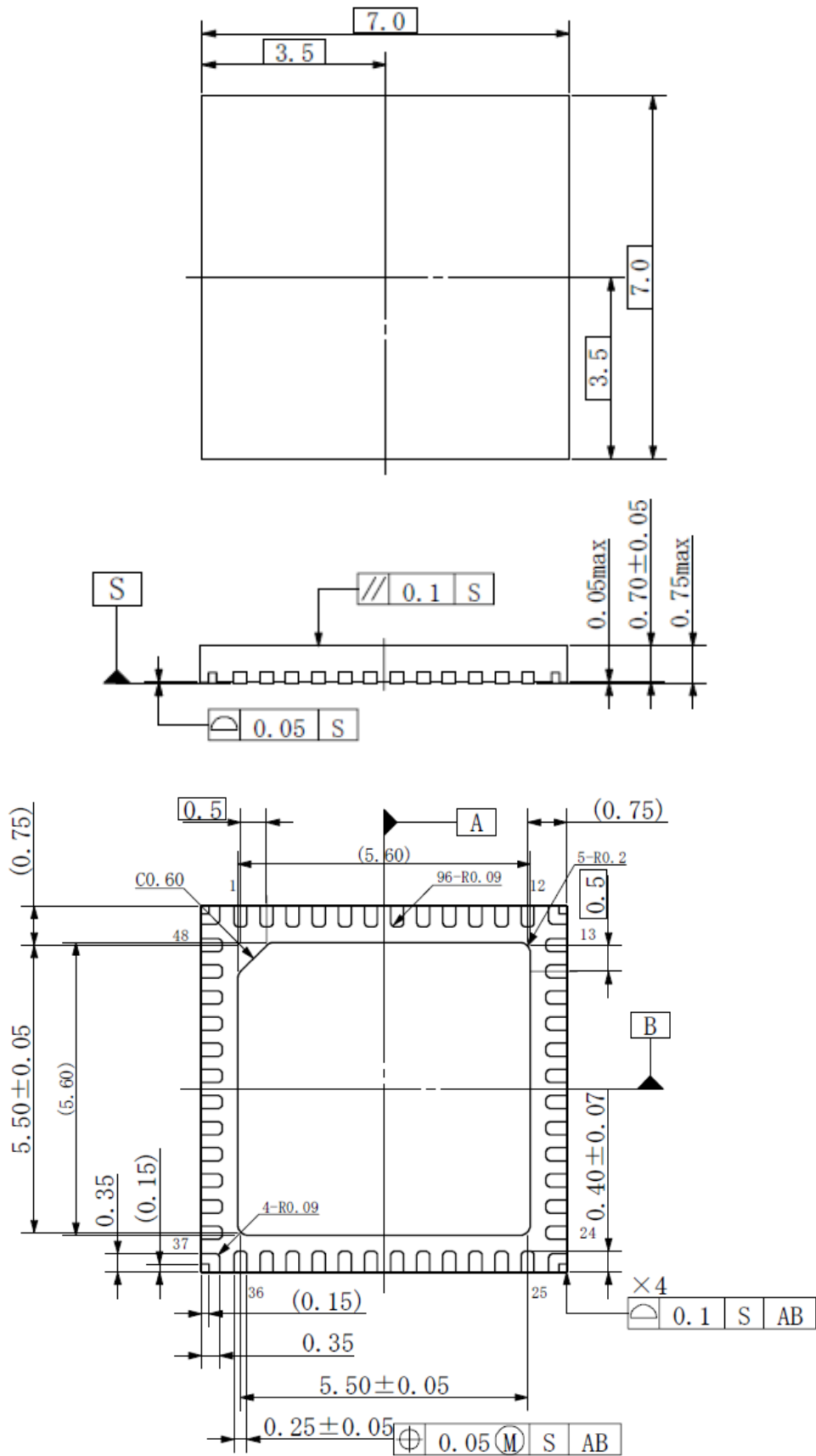
(unit :mm)

**HSOP28-P-0450-0.80**



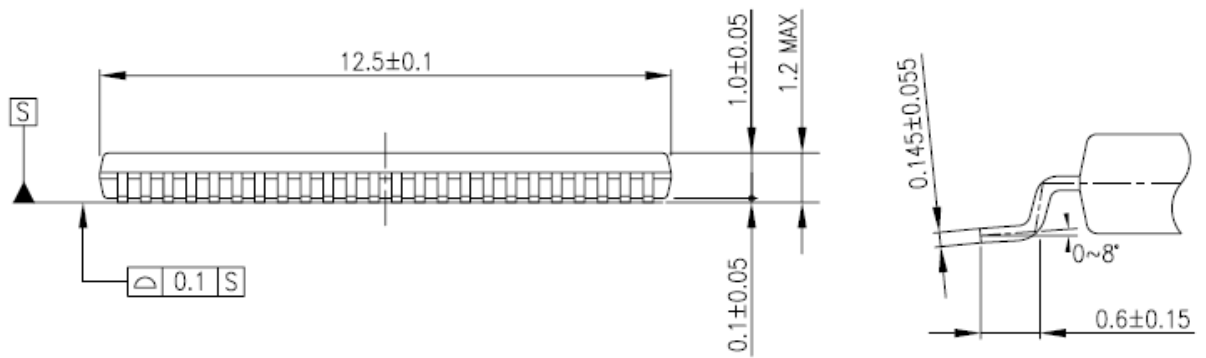
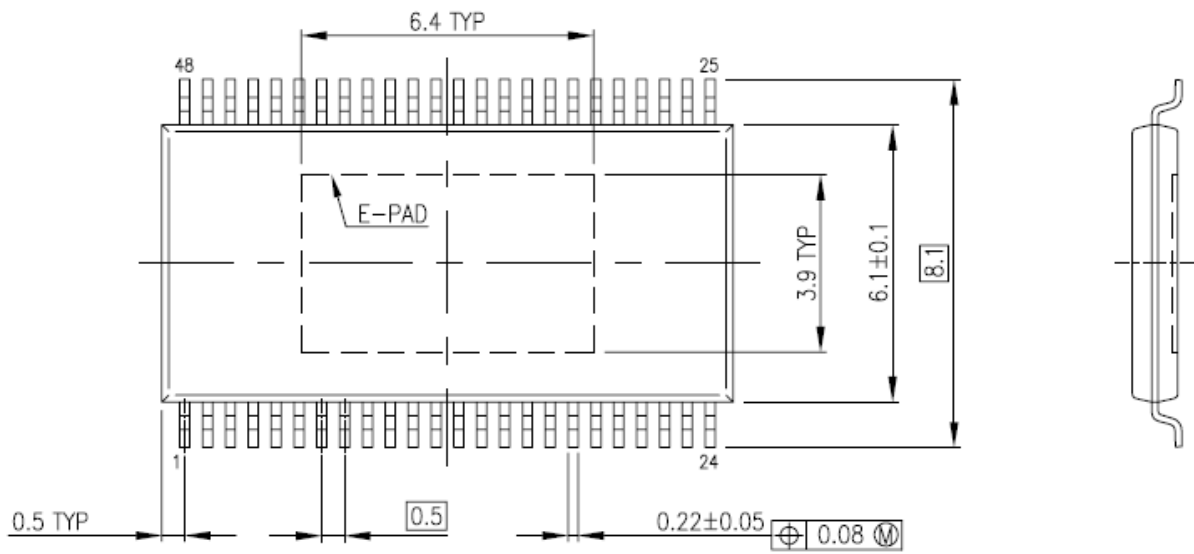
P-WQFN48-0707-0.50-003

(unit :mm)



HTSSOP48-P-300-0.50

(unit :mm)



**Notes on Contents****Block Diagrams**

Some of the functional blocks, circuits, or constants in the block diagram may be omitted or simplified for explanatory purposes.

**Equivalent Circuits**

The equivalent circuit diagrams may be simplified or some parts of them may be omitted for explanatory purposes.

**Timing Charts**

Timing charts may be simplified for explanatory purposes.

**Application Circuits**

The application circuits shown in this document are provided for reference purposes only. Thorough evaluation is required, especially at the mass-production design stage.

Toshiba does not grant any license to any industrial property rights by providing these examples of application circuits.

**Test Circuits**

Components in the test circuits are used only to obtain and confirm the device characteristics. These components and circuits are not guaranteed to prevent malfunction or failure from occurring in the application equipment.

**IC Usage Considerations****Notes on handling of ICs**

- (1) The absolute maximum ratings of a semiconductor device are a set of ratings that must not be exceeded, even for a moment. Do not exceed any of these ratings. Exceeding the rating(s) may cause device breakdown, damage or deterioration, and may result in injury by explosion or combustion.
- (2) Use an appropriate power supply fuse to ensure that a large current does not continuously flow in the case of overcurrent and/or IC failure. The IC will fully break down when used under conditions that exceed its absolute maximum ratings, when the wiring is routed improperly or when an abnormal pulse noise occurs from the wiring or load, causing a large current to continuously flow and the breakdown can lead to smoke or ignition. To minimize the effects of the flow of a large current in the case of breakdown, appropriate settings, such as fuse capacity, fusing time and insertion circuit location, are required.
- (3) If your design includes an inductive load such as a motor coil, incorporate a protection circuit into the design to prevent device malfunction or breakdown caused by the current resulting from the inrush current at power ON or the negative current resulting from the back electromotive force at power OFF. IC breakdown may cause injury, smoke or ignition. Use a stable power supply with ICs with built-in protection functions. If the power supply is unstable, the protection function may not operate, causing IC breakdown. IC breakdown may cause injury, smoke or ignition.
- (4) Do not insert devices in the wrong orientation or incorrectly. Make sure that the positive and negative terminals of power supplies are connected properly. Otherwise, the current or power consumption may exceed the absolute maximum rating, and exceeding the rating(s) may cause device breakdown, damage or deterioration, and may result in injury by explosion or combustion. In addition, do not use any device inserted in the wrong orientation or incorrectly to which current is applied even just once.
- (5) Carefully select external components (such as inputs and negative feedback capacitors) and load components (such as speakers), for example, power amp and regulator. If there is a large amount of leakage current such as from input or negative feedback condenser, the IC output DC voltage will increase. If this output voltage is connected to a speaker with low input withstand voltage, overcurrent or IC failure may cause smoke or ignition. (The overcurrent may cause smoke or ignition from the IC itself.) In particular, please pay attention when using a Bridge Tied Load (BTL) connection-type IC that inputs output DC voltage to a speaker directly.

## **Points to remember on handling of ICs**

### **Overcurrent detection Circuit**

Overcurrent detection circuits (referred to as current limiter circuits) do not necessarily protect ICs under all circumstances. If the overcurrent detection circuits operate against the overcurrent, clear the overcurrent status immediately.

Depending on the method of use and usage conditions, exceeding absolute maximum ratings may cause the overcurrent detection circuit to operate improperly or IC breakdown may occur before operation. In addition, depending on the method of use and usage conditions, if overcurrent continues to flow for a long time after operation, the IC may generate heat resulting in breakdown.

### **Thermal Shutdown Circuit**

Thermal shutdown circuits do not necessarily protect ICs under all circumstances. If the thermal shutdown circuits operate against the over-temperature, clear the heat generation status immediately.

Depending on the method of use and usage conditions, exceeding absolute maximum ratings may cause the thermal shutdown circuit to operate improperly or IC breakdown to occur before operation.

### **Heat Radiation Design**

When using an IC with large current flow such as power amp, regulator or driver, design the device so that heat is appropriately radiated, in order not to exceed the specified junction temperature (T<sub>J</sub>) at any time or under any condition. These ICs generate heat even during normal use. An inadequate IC heat radiation design can lead to decrease in IC life, deterioration of IC characteristics or IC breakdown. In addition, when designing the device, take into consideration the effect of IC heat radiation with peripheral components.

### **Back-EMF**

When a motor rotates in the reverse direction, stops or slows abruptly, current flows back to the motor's power supply owing to the effect of back-EMF. If the current sink capability of the power supply is small, the device's motor power supply and output pins might be exposed to conditions beyond the absolute maximum ratings. To avoid this problem, take the effect of back-EMF into consideration in system design.

**RESTRICTIONS ON PRODUCT USE**

- Toshiba Corporation, and its subsidiaries and affiliates (collectively "TOSHIBA"), reserve the right to make changes to the information in this document, and related hardware, software and systems (collectively "Product") without notice.
- This document and any information herein may not be reproduced without prior written permission from TOSHIBA. Even with TOSHIBA's written permission, reproduction is permissible only if reproduction is without alteration/omission.
- Though TOSHIBA works continually to improve Product's quality and reliability, Product can malfunction or fail. Customers are responsible for complying with safety standards and for providing adequate designs and safeguards for their hardware, software and systems which minimize risk and avoid situations in which a malfunction or failure of Product could cause loss of human life, bodily injury or damage to property, including data loss or corruption. Before customers use the Product, create designs including the Product, or incorporate the Product into their own applications, customers must also refer to and comply with (a) the latest versions of all relevant TOSHIBA information, including without limitation, this document, the specifications, the data sheets and application notes for Product and the precautions and conditions set forth in the "TOSHIBA Semiconductor Reliability Handbook" and (b) the instructions for the application with which the Product will be used with or for. Customers are solely responsible for all aspects of their own product design or applications, including but not limited to (a) determining the appropriateness of the use of this Product in such design or applications; (b) evaluating and determining the applicability of any information contained in this document, or in charts, diagrams, programs, algorithms, sample application circuits, or any other referenced documents; and (c) validating all operating parameters for such designs and applications. **TOSHIBA ASSUMES NO LIABILITY FOR CUSTOMERS' PRODUCT DESIGN OR APPLICATIONS.**
- **PRODUCT IS NEITHER INTENDED NOR WARRANTED FOR USE IN EQUIPMENTS OR SYSTEMS THAT REQUIRE EXTRAORDINARILY HIGH LEVELS OF QUALITY AND/OR RELIABILITY, AND/OR A MALFUNCTION OR FAILURE OF WHICH MAY CAUSE LOSS OF HUMAN LIFE, BODILY INJURY, SERIOUS PROPERTY DAMAGE AND/OR SERIOUS PUBLIC IMPACT ("UNINTENDED USE").** Except for specific applications as expressly stated in this document, Unintended Use includes, without limitation, equipment used in nuclear facilities, equipment used in the aerospace industry, medical equipment, equipment used for automobiles, trains, ships and other transportation, traffic signaling equipment, equipment used to control combustions or explosions, safety devices, elevators and escalators, devices related to electric power, and equipment used in finance-related fields. **IF YOU USE PRODUCT FOR UNINTENDED USE, TOSHIBA ASSUMES NO LIABILITY FOR PRODUCT.** For details, please contact your TOSHIBA sales representative.
- Do not disassemble, analyze, reverse-engineer, alter, modify, translate or copy Product, whether in whole or in part.
- Product shall not be used for or incorporated into any products or systems whose manufacture, use, or sale is prohibited under any applicable laws or regulations.
- The information contained herein is presented only as guidance for Product use. No responsibility is assumed by TOSHIBA for any infringement of patents or any other intellectual property rights of third parties that may result from the use of Product. No license to any intellectual property right is granted by this document, whether express or implied, by estoppel or otherwise.
- **ABSENT A WRITTEN SIGNED AGREEMENT, EXCEPT AS PROVIDED IN THE RELEVANT TERMS AND CONDITIONS OF SALE FOR PRODUCT, AND TO THE MAXIMUM EXTENT ALLOWABLE BY LAW, TOSHIBA (1) ASSUMES NO LIABILITY WHATSOEVER, INCLUDING WITHOUT LIMITATION, INDIRECT, CONSEQUENTIAL, SPECIAL, OR INCIDENTAL DAMAGES OR LOSS, INCLUDING WITHOUT LIMITATION, LOSS OF PROFITS, LOSS OF OPPORTUNITIES, BUSINESS INTERRUPTION AND LOSS OF DATA, AND (2) DISCLAIMS ANY AND ALL EXPRESS OR IMPLIED WARRANTIES AND CONDITIONS RELATED TO SALE, USE OF PRODUCT, OR INFORMATION, INCLUDING WARRANTIES OR CONDITIONS OF MERCHANTABILITY, FITNESS FOR A PARTICULAR PURPOSE, ACCURACY OF INFORMATION, OR NONINFRINGEMENT.**
- Do not use or otherwise make available Product or related software or technology for any military purposes, including without limitation, for the design, development, use, stockpiling or manufacturing of nuclear, chemical, or biological weapons or missile technology products (mass destruction weapons). Product and related software and technology may be controlled under the applicable export laws and regulations including, without limitation, the Japanese Foreign Exchange and Foreign Trade Law and the U.S. Export Administration Regulations. Export and re-export of Product or related software or technology are strictly prohibited except in compliance with all applicable export laws and regulations.
- Please contact your TOSHIBA sales representative for details as to environmental matters such as the RoHS compatibility of Product. Please use Product in compliance with all applicable laws and regulations that regulate the inclusion or use of controlled substances, including without limitation, the EU RoHS Directive. **TOSHIBA ASSUMES NO LIABILITY FOR DAMAGES OR LOSSES OCCURRING AS A RESULT OF NONCOMPLIANCE WITH APPLICABLE LAWS AND REGULATIONS.**

# Mouser Electronics

Authorized Distributor

Click to View Pricing, Inventory, Delivery & Lifecycle Information:

[Toshiba:](#)

[TB67S101AFNG,EL](#)



Компания «Life Electronics» занимается поставками электронных компонентов импортного и отечественного производства от производителей и со складов крупных дистрибьюторов Европы, Америки и Азии.

С конца 2013 года компания активно расширяет линейку поставок компонентов по направлению коаксиальный кабель, кварцевые генераторы и конденсаторы (керамические, пленочные, электролитические), за счёт заключения дистрибьюторских договоров

Мы предлагаем:

- Конкурентоспособные цены и скидки постоянным клиентам.
- Специальные условия для постоянных клиентов.
- Подбор аналогов.
- Поставку компонентов в любых объемах, удовлетворяющих вашим потребностям.
- Приемлемые сроки поставки, возможна ускоренная поставка.
- Доставку товара в любую точку России и стран СНГ.
- Комплексную поставку.
- Работу по проектам и поставку образцов.
- Формирование склада под заказчика.
- Сертификаты соответствия на поставляемую продукцию (по желанию клиента).
- Тестирование поставляемой продукции.
- Поставку компонентов, требующих военную и космическую приемку.
- Входной контроль качества.
- Наличие сертификата ISO.

В составе нашей компании организован Конструкторский отдел, призванный помогать разработчикам, и инженерам.

Конструкторский отдел помогает осуществить:

- Регистрацию проекта у производителя компонентов.
- Техническую поддержку проекта.
- Защиту от снятия компонента с производства.
- Оценку стоимости проекта по компонентам.
- Изготовление тестовой платы монтаж и пусконаладочные работы.



Тел: +7 (812) 336 43 04 (многоканальный)

Email: [org@lifeelectronics.ru](mailto:org@lifeelectronics.ru)