

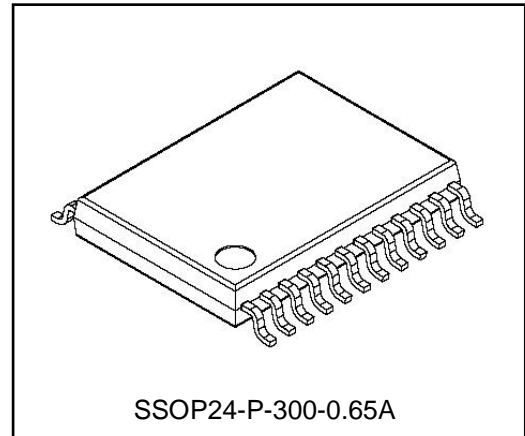
TB9061AFNG

3-Phase Sensorless Brushless Motor Pre-driver

The TB9061AFNG is an automotive pre-driver IC that incorporates a sensorless controller for driving a 3-phase full-wave brushless DC motor.

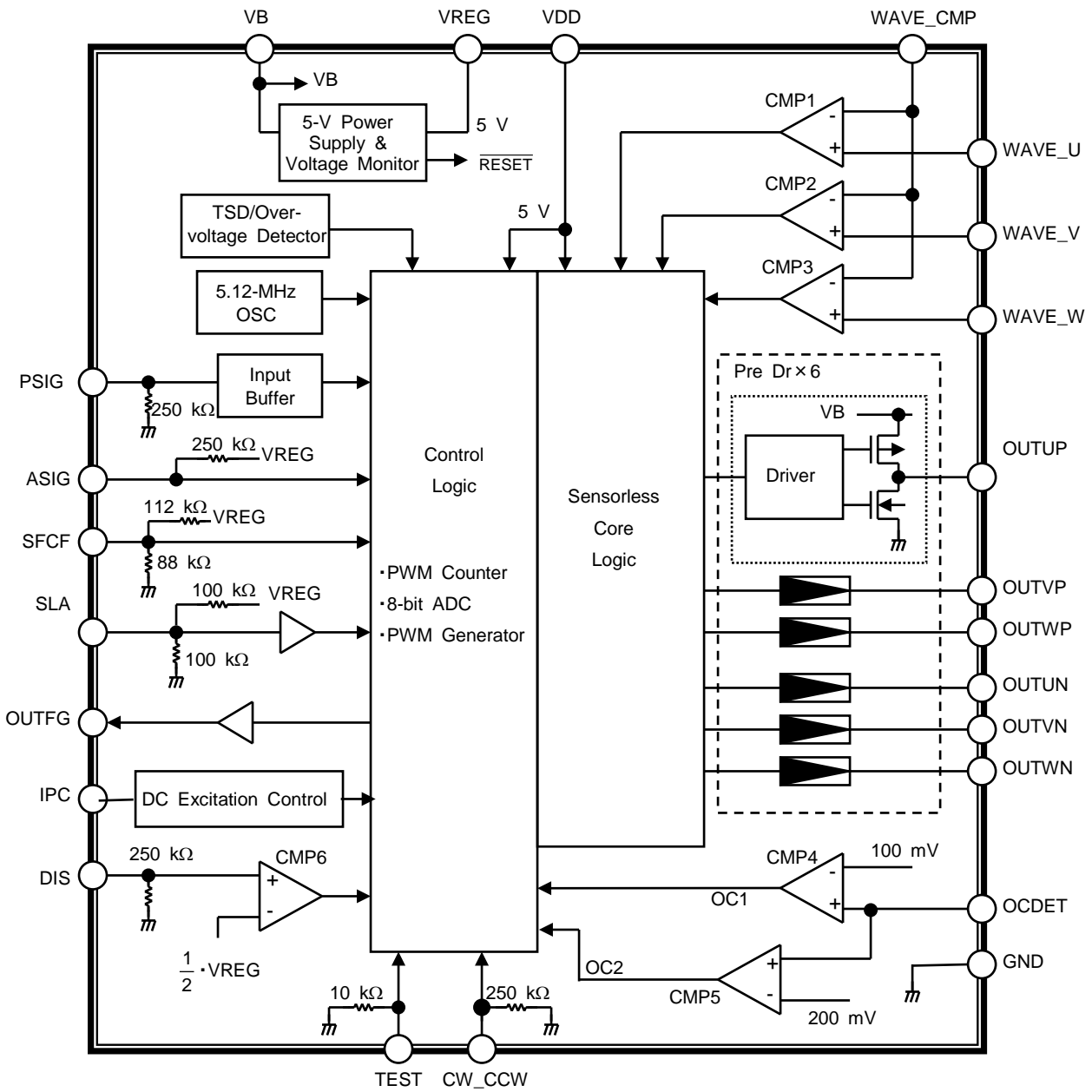
Feature

- 3-phase full-wave sensorless drive
- PWM chopper drive
- Outputs for external P-ch/N-ch MOSFETs drive (3-phase 6 outputs)
(Output PWM Dynamic range expansion)
- Suited for both PWM input and DC input control
- Rotating Direction: CW/CCW
- PWM control on lower driver outputs
- Built-in 8-bit AD converter
- Built-in 3-ch comparators to detect induced voltage (Independent 3-phase inputs)
- Built-in overcurrent detector: Detect two values (Current limiter/Overcurrent detection)
- Built-in loss-of-synchronism detection and automatic restart control (Improved Start up)
- 5.12-MHz oscillator for reference clock
- Built-in 5-V constant voltage circuit
- Operating temperature range: -40 to 125 °C
- Mini flat package: SSOP-24pin(pin pitch:0.65 mm)
- TB9061FNG Pin-compatible
- The product(s) is/are compatible with RoHS regulations (EU directive 2011 / 65 / EU) as indicated, if any, on the packaging label ("[[G]]/RoHS COMPATIBLE", "[[G]]/RoHS [[Chemical symbol(s) of controlled substance(s)]]", "RoHS COMPATIBLE" or "RoHS COMPATIBLE, [[Chemical symbol(s) of controlled substance(s)]]>MCV").
- AEC-Q100 Qualified



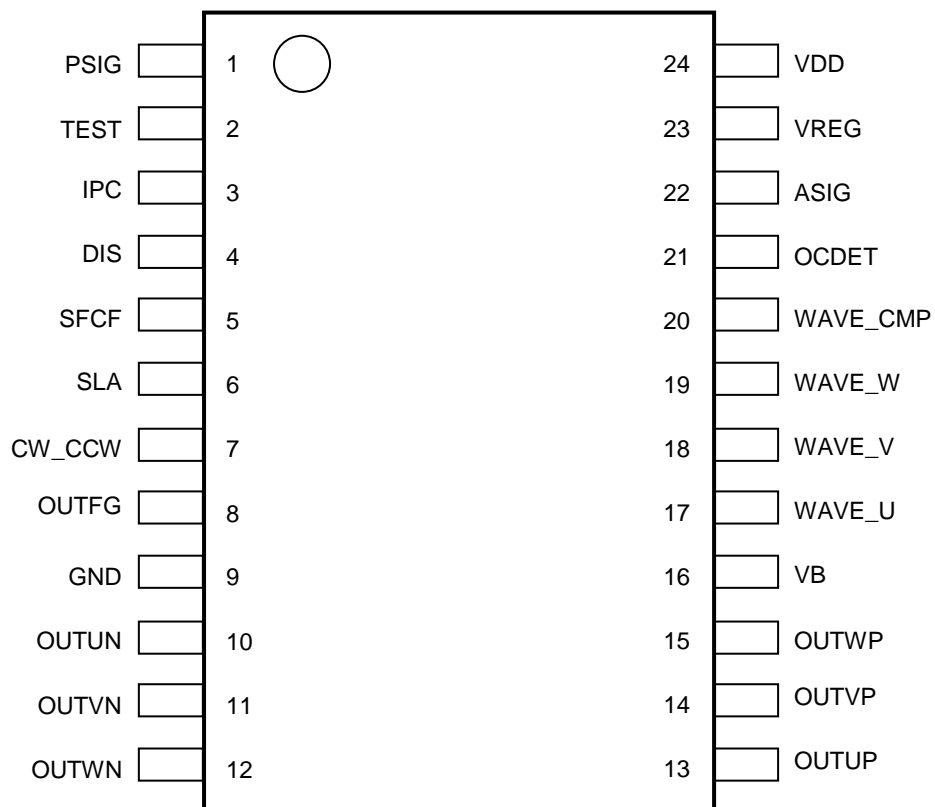
Weight: 0.14 g (typ.)

Block Diagram



Note: Some of the functional blocks, circuits, or constants in the block diagram are omitted or simplified to clarify the descriptions of the relevant features.

Pin Assignment



Pin Description

| Pin No. | Symbol | Description |
|---------|----------|--|
| 1 | PSIG | External PWM signal input The PWM signal period is measured by the counter, and converted into output control PWM signal. Built-in pull-down resistor. When Duty cycle is set to 0% this pin is connected to GND. |
| 2 | TEST | Test mode setting pin Low: User mode. Built-in pull-down resistor. Please connect this pin to GND in your application. |
| 3 | IPC | Input to set 1-phase DC excitation time at start up. Any value can be set according to the value of external capacitance. |
| 4 | DIS | Disable pin (active Low) Setting this pin High puts the pre-driver output into the high-impedance state. Built-in pull-down resistor. The output is active when this pin is open. |
| 5 | SFCF | Forced commutation frequency select pin According to the input voltage, user can select 8-level frequencies from 391 rpm up to 25,000 rpm. Built-in voltage dividing resistors. 1,563 rpm is selected when this pin is open. |
| 6 | SLA | Lead angle select pin User can select lead angle (LA) from three levels: 7.5, 15, or 30 °. Low: LA = 7.5 ° ; High: LA = 15 ° ; Middle or open: LA = 30 ° |
| 7 | CW_CCW | Input to select motor's rotating direction. Low: Clockwise rotation (CW); High: Counterclockwise rotation (CCW). Built-in pull-down resistor of 250 kΩ. |
| 8 | OUTFG | Rotation signal output |
| 9 | GND | Ground pin |
| 10 | OUTUN | Nch MOSFET gate drive pin for phase U |
| 11 | OUTVN | Nch MOSFET gate drive pin for phase V |
| 12 | OUTWN | Nch MOSFET gate drive pin for phase W |
| 13 | OUTUP | Pch MOSFET gate drive pin for phase U |
| 14 | OUTVP | Pch MOSFET gate drive pin for phase V |
| 15 | OUTWP | Pch MOSFET gate drive pin for phase W |
| 16 | VB | Power supply pin This pin incorporates the overvoltage detection feature. Upon detection of an overvoltage condition, motor rotation is stopped. |
| 17 | WAVE_U | U phase induced voltage signal input |
| 18 | WAVE_V | V phase induced voltage signal input |
| 19 | WAVE_W | W phase induced voltage signal input |
| 20 | WAVE_CMP | Reference voltage input for the voltage comparison with induced voltage. |
| 21 | OCDET | Overcurrent input detection pin Connected to two internal comparators, one of which has 100 mV threshold and the other has 200 mV threshold. |
| 22 | ASIG | External analog voltage input pin Analog voltage is input to ADC and converted into PWM signal. Built-in pull-up resistor. Duty cycle is set to 100% when this pin is open. |
| 23 | VREG | 5 V constant-voltage output It is used as power supply for the logic circuit by being connected to VDD. The current capability is 10 mA (max). This pin has an automatic reset function for resetting the IC upon detecting an undervoltage condition. |
| 24 | VDD | Logic power supply pin |

Functional Description

1. Overview

The user inputs PWM signal to this IC. A 3-phase motor is driven by the PWM output signals with the duty cycle determined by that of the input PWM. The user can input PWM signal under the following conditions.

- Frequency: 10 Hz up to 1 kHz
- PWM duty cycle: 0% up to 100%
- Voltage amplitude: 0 V up to VB

This input PWM signal is measured, calculated, and corrected in the logic circuit. The TB9061AFNG generates a 20-kHz PWM signal (PWMint) according to its result. The TB9061AFNG inputs PWMint into the Sensorless Core Logic and outputs sensorless driving signal for a 3-phase brushless motor.

2. Sensorless drive

On receipt of a start instruction, which is generated upon completion of 1-cycle counting of a linear voltage at ASIG or PWM signal at PSIG, turn-on signal for forced commutation (commutation irrespective of the motor's rotor position) is driven onto the OUTxx pins, and the motor starts to rotate. The motor's rotation causes an induced voltage on winding wire for each phase. The TB9061AFNG detects the change of the induced voltage using comparators and receives it as a position signal. Then the TB9061AFNG changes the commutation signal automatically from the one for forced commutation to the one based on a position signal and starts sensorless drive of a 3-phase brushless motor.

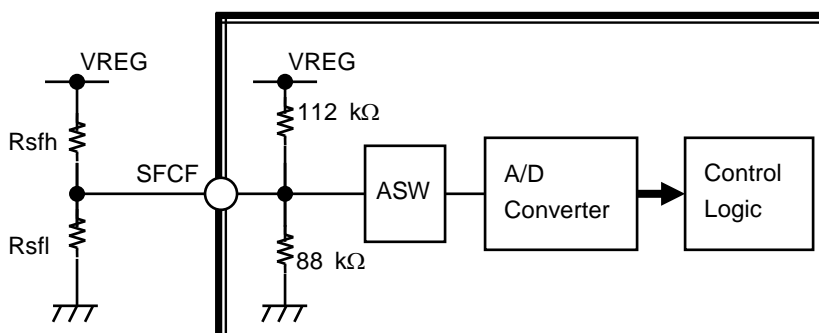
3. Selection of forced commutation frequency

The user can select forced commutation frequency by changing the input voltage to the SFCF pin. The relation between the frequency and input voltage is shown in the table below. The TB9061AFNG receives the voltage at the SFCF pin through the ADC (upper 3-bit data of the 8-bit ADC) and decides the forced commutation frequency.

Please set an appropriate frequency according to motor and load for the user application.

The sum of the external resistor values Rsfh and Rsfll, which are used for setting the SFCF pin voltage, is recommended to be less than 10kΩ. When the SFCF pin is open, the voltage is determined to be (VREG*44%) by internal resistors and the frequency of 1563 rpm is selected.

| Input Voltage to the SFCF Pin | | | Rotational frequency (Forced Commutation Frequency :Electrical Angle) fosc = 5.12 MHz |
|-------------------------------|--------------|------------|--|
| Vsfcl (VREG = 5 V) | Rate | ADC output | |
| 5.00 to 4.375 V | 100 to 87.5% | 111xxxxx | 25,000 rpm (417 Hz) |
| 4.375 to 3.75 V | 87.5 to 75% | 110xxxxx | 12,500 rpm (208 Hz) |
| 3.75 to 3.125 V | 75 to 62.5% | 101xxxxx | 6,250 rpm (104 Hz) |
| 3.125 to 2.50 V | 62.5 to 50% | 100xxxxx | 3,125 rpm (52 Hz) |
| 2.50 to 1.875 V | 50 to 37.5% | 011xxxxx | 1,563 rpm (26 Hz) |
| 1.875 to 1.25 V | 37.5 to 25% | 010xxxxx | 781 rpm (13 Hz) |
| 1.25 to 0.625 V | 25 to 12.5% | 001xxxxx | 391 rpm (6.5 Hz) |
| 0.625 to 0.0 V | 12.5 to 0% | 000xxxxx | 9,375 rpm (156 Hz) |



Note1 : The forced commutation frequency function at the time of start and function of low PWM input duty can be adjusted using inertia of the motor and load.

- The forced commutation frequency should be set higher as the number of magnetic pole increases.
- The forced commutation frequency should be set lower as the inertia of the load increases.

Note2: The IC may cause to step out when the motor is driven by low PWM input duty.

Please use it by PWM input duty that takes an enough margin.

Please conform minimum PWM input DUTY to which the motor can drive and do an enough evaluation according to an external motor.

Note3: It is not possible to make the motor work by a frequency that is lower than the forced commutation frequency.

Functional Description

4. Relation between the PSIG input and internal PWM (PWMint) signals

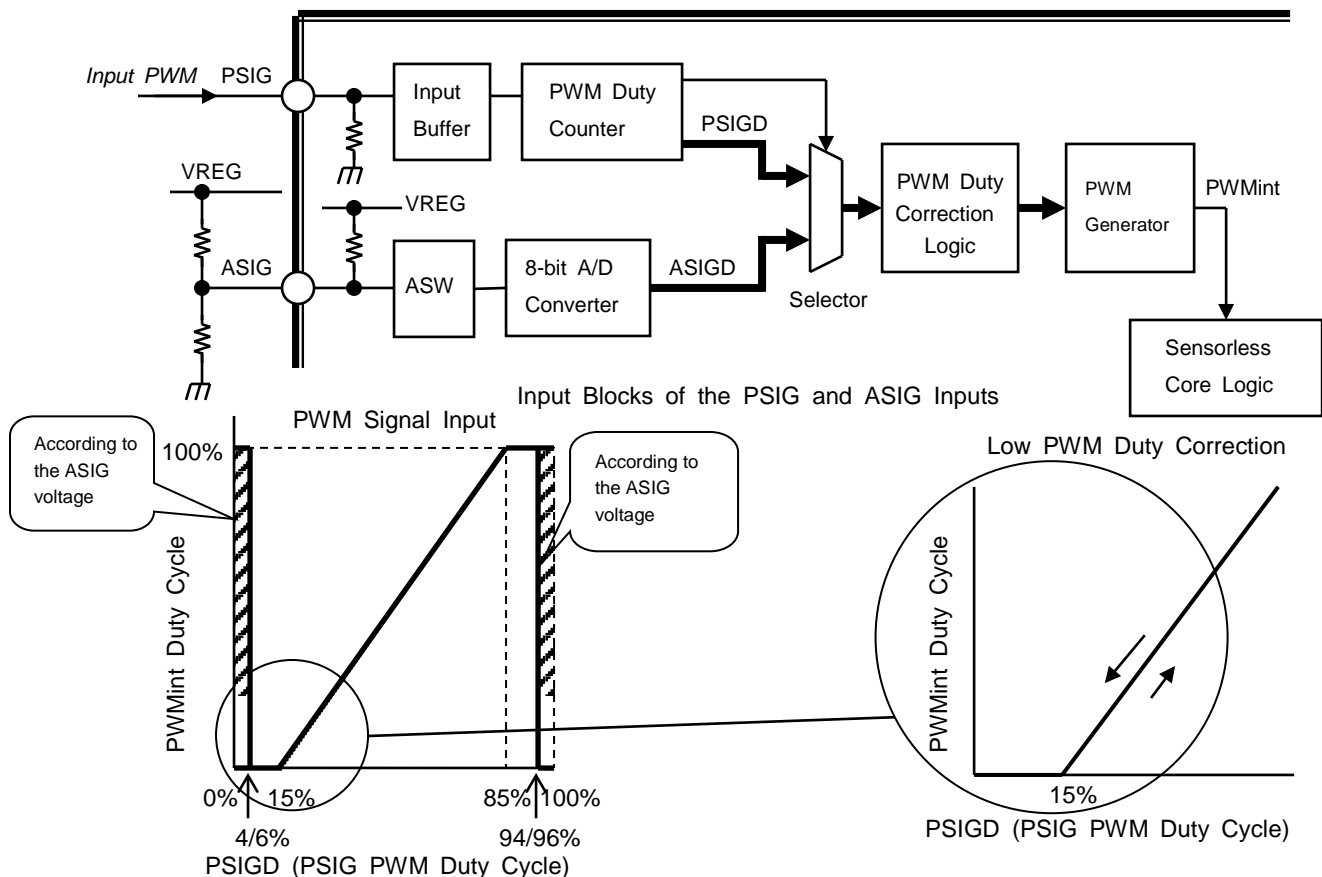
The relation between the PSIG input signal and the internal PWM signal (PWMint) which is generated in the TB9061AFNG and input to the Sensorless Core Logic is described below.

In the case that the PWM Duty Counter value is within the range between 6% and 94%, the PSIGD input (PSIG PWM duty cycle) is selected and input to the PWM Duty Correction Logic. In the case that the PWM Duty Counter value is $\leq 4\%$ or $\geq 96\%$, the ASIG voltage is selected.

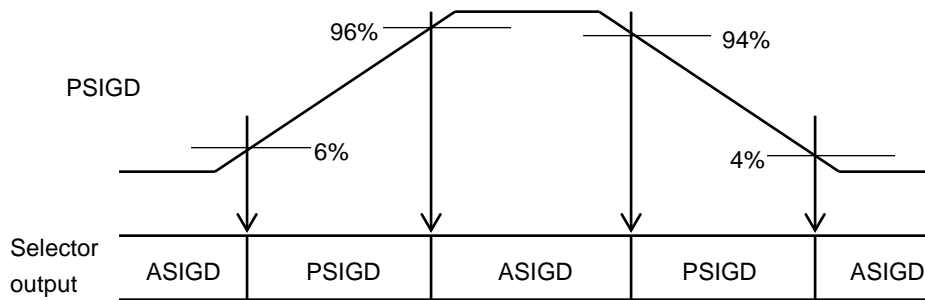
A hysteresis of 2% is provided for switching between PSIGD and ASIGD.

All PWM signals are active-High. (Setting these signals High turns on the corresponding external N-ch MOSFET.)

The noise filter is built in at the PWM Duty Counter to eliminate 10- μ s and shorter pulses.



Relation between the Input PWM Duty (PSIGD) and the Selector Output



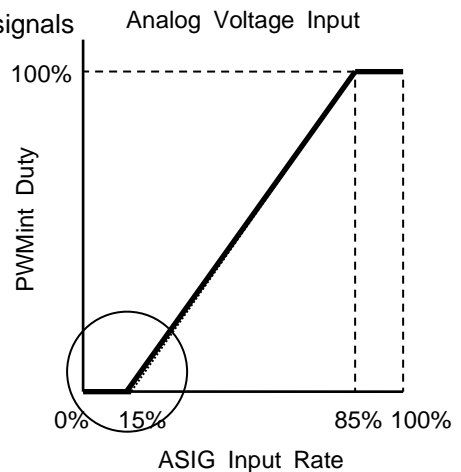
Note1: Slow, low duty driven in the rotation of the motor becomes unstable and can't detect the induced voltage of the motor rotation speed. Please decide the input PWM Duty to evaluate and verify sufficient conditions for your application, the drive motor is stable.

Note2: In case of low PWM input duty, the generation voltage may not be detected with low duty by the output delay of external FET and the rotation of the motor may become discontinuous function.

Functional Description

4. Relation between the PSIG input and internal PWM (PWMint) signals

The graph on the right shows the relation between the analog voltage input to ASIG (shown as rate of voltage divider) and the PWMint duty cycle when the Selector is set to ASIGD. The same correction as that of PSID is executed for the low PWM duty cycle.

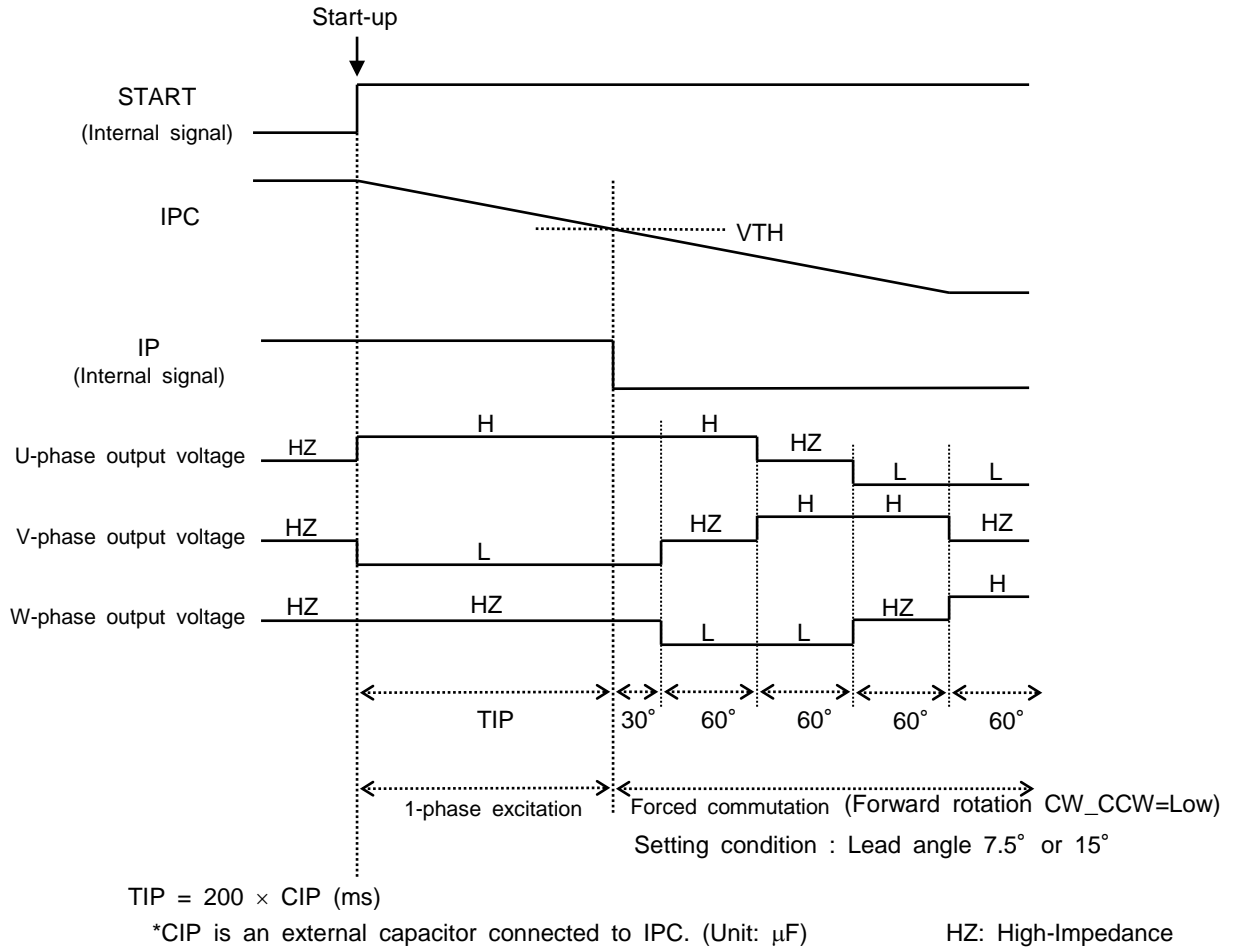


5. Start-up operation

5-1. DC excitation

At start-up, forced commutation signal rotates a motor to generate an induced voltage. For motors with big inertia, it is effective for smoother starting to apply DC excitation signal for certain time in order to fix phase then start the forced commutation. The user can set an arbitrary time for DC excitation (TIP) by connecting a capacitor (CIP) to the IPC pin.

If the user doesn't need DC excitation, a capacitor is not necessary and the IPC pin should be shorted to the GND pin.



Note1: The motor current might rush to the FET nearly motor lock current during the DC excitation.

Please decide the DC excitation time setting for un-break-ness or not deterioration by the heat of external FET.

Note2 : In case of lead angle 30°, the first electric angle 60° pattern of forced commutation is different pattern.

Functional Description

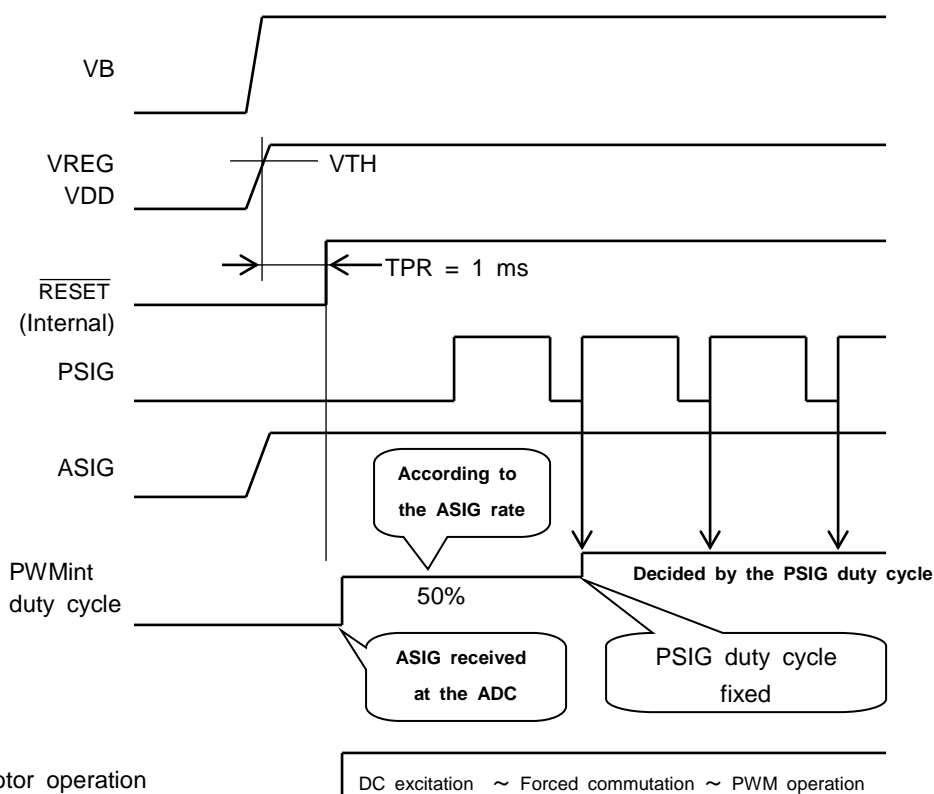
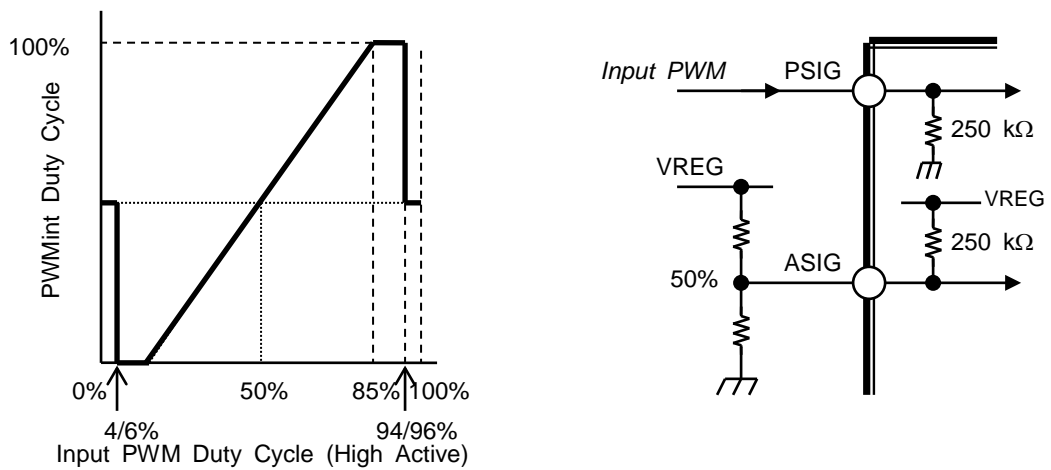
5. Start-up operation (continued)

5-2. PWM input control

The figure below shows the relation between the PMW duty cycles of input and output signals when some voltage is applied to ASIG. The timing chart shows the start-up operation under such condition.

The ASIG voltage is received at the point when the internal logic starts the operation (TPR = 1 ms). At this time, the PWM Duty Counter value is equal to the initial value, 0%. So the ASIG value takes priority. In the application example shown in the figure below, the output PWM is 50%. If the ASIG voltage is 0%, the output PWM is also 0%; if the ASIG voltage is 100%, the duty cycle of the PWM output is also 100%.

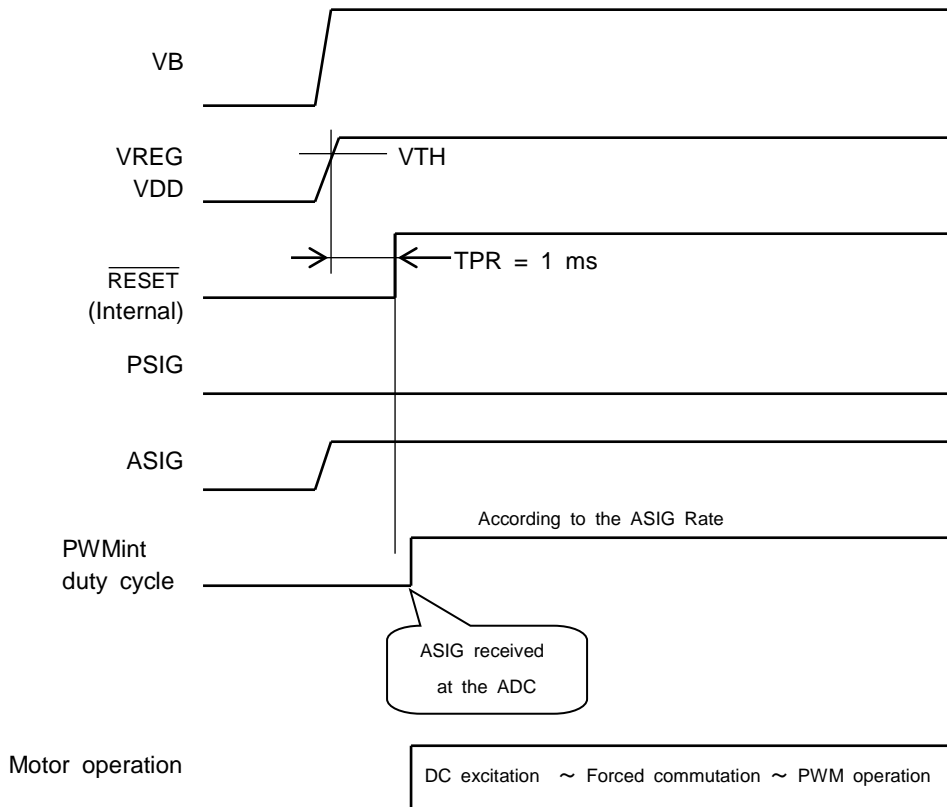
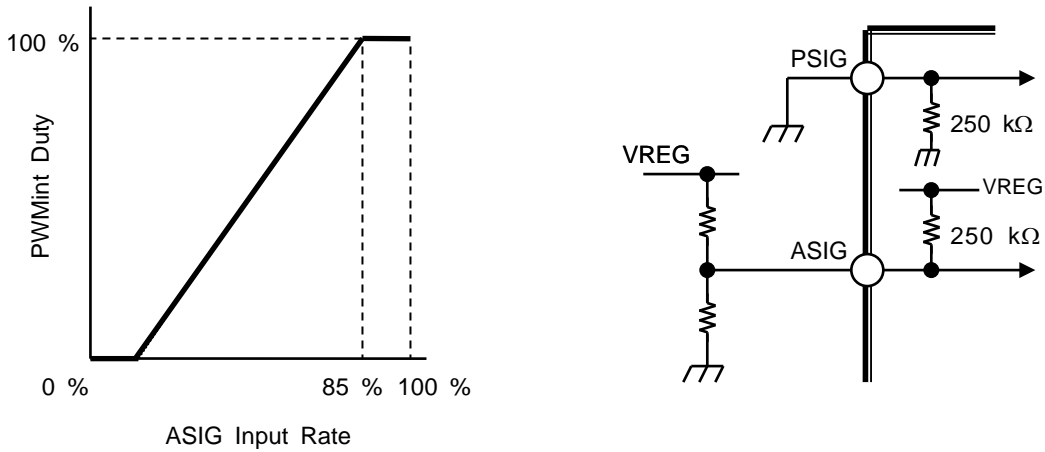
If the PWM Duty Counter value is within the range between 6% and 94%, the output PWM duty cycle is proportional to the counter value. If PSIG is open, the PSIG voltage is set Low by a pull-down resistor and the PWMint duty cycle becomes 0%.



Functional Description

- 5. Start-up operation (continued)
- 5-3. Analog voltage input control

Analog voltage input to ASIG controls the PWMint duty cycle when PSIG is shorted to GND. The input-to-output conversion characteristics, the connection circuit example and a timing chart are shown below.
 When ASIG = VREG, the ASIG input rate is 100%. When ASIG = 0 V, the ASIG input rate is 0%. If ASIG is open, the ASIG voltage is set High by a pull-up resistor and the PWMint duty cycle becomes 100%.



Functional Description

5. Start-up operation (continued)

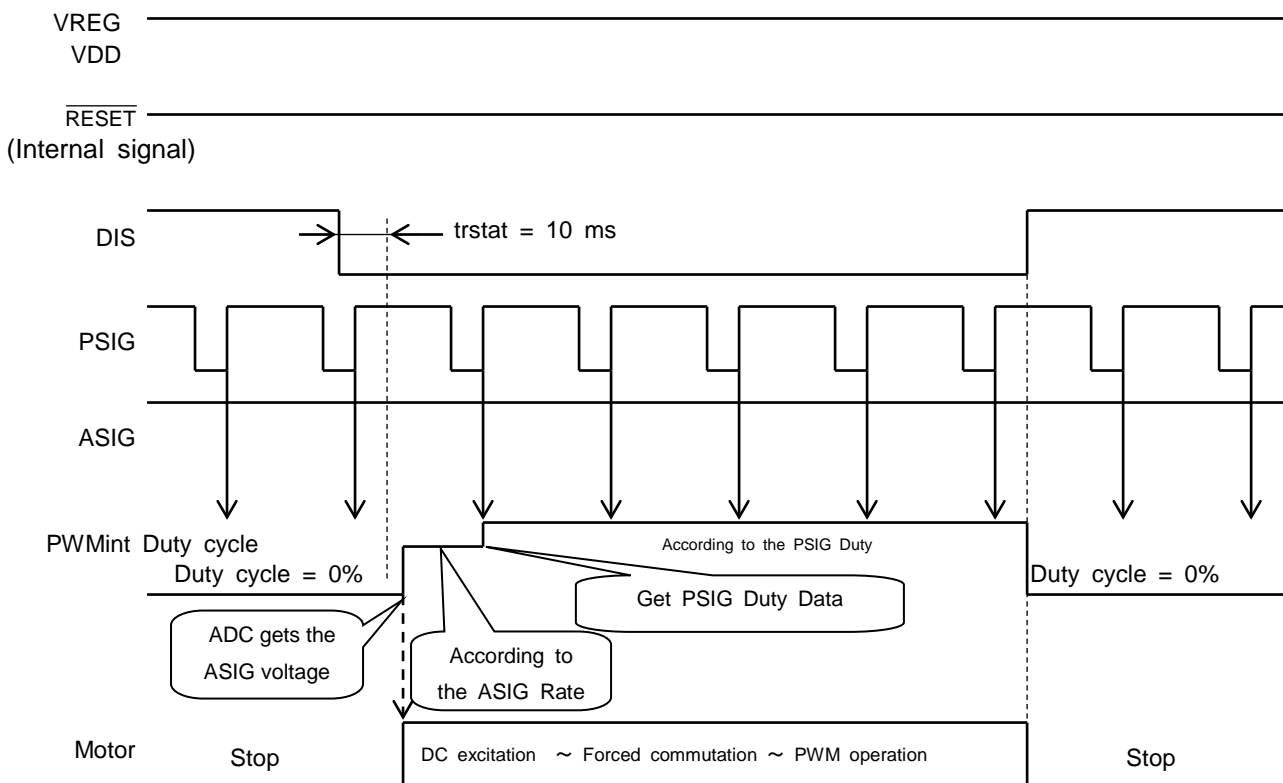
5-4. Start-up sequence and stop sequence using the DIS pin

The TB9061AFNG can perform start and stop controls of the motor operation with the DIS signal. The start/stop timing is shown below.

- Motor start-up sequence: When DIS is High, the PWMint duty cycle is 0% and the motor driving output is off regardless of the state of PSIG and ASIG.

From this state, if the DIS signal state is changed to Low, the TB9061AFNG starts to receive the PWM Duty Counter value and the measured ASIG voltage after when $trstat = 10\text{ ms}$. With these data, the TB9061AFNG starts DC excitation and enter the forced commutation and enter the normal commutation mode.

- Motor stop sequence: When DIS becomes High, the PWM Duty Counter value and the measured ASIG voltage value are cleared. The PWMint duty cycle becomes 0% and the motor stops.



Functional Description

6. Detection of irregular operation

6-1. Overcurrent Detection (ISD)

The TB9061AFNG can detect an overcurrent by monitoring the voltage at a current-detection resistor (R_s) which is connected to external power MOSFETs. There are two detection voltages, 100 mV and 200 mV.

Refer to the block diagram and the timing chart below for the overall operation.

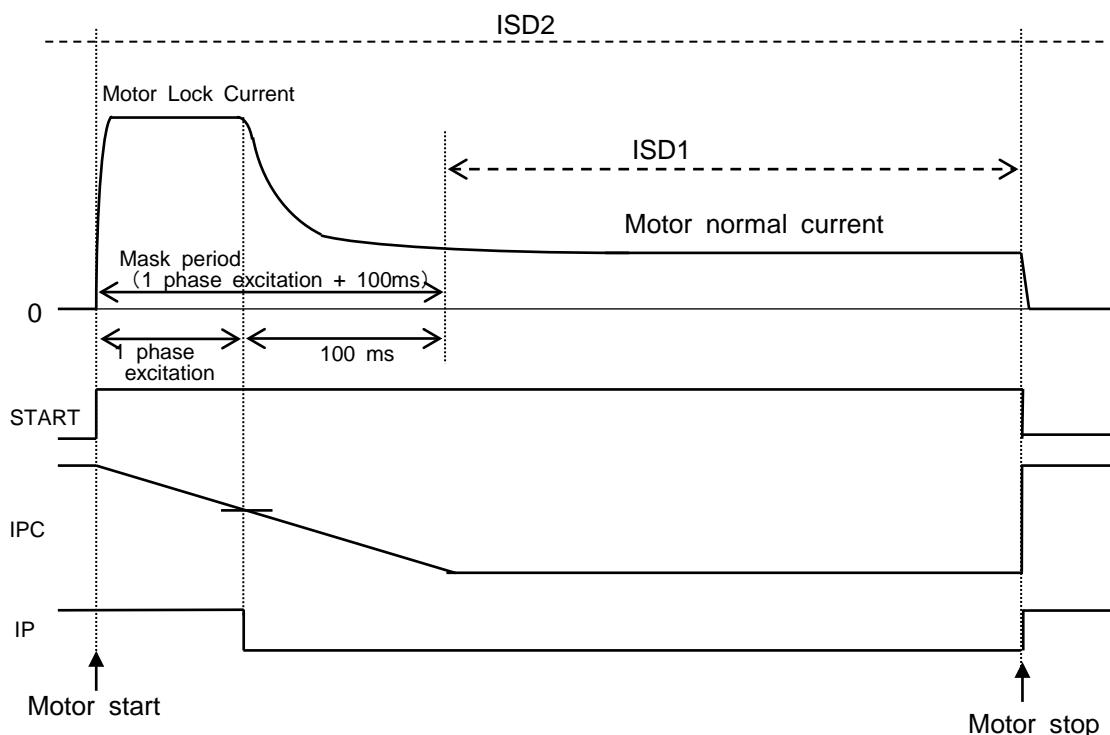
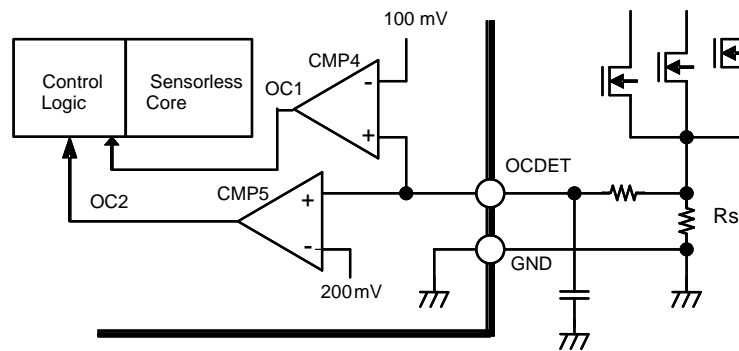
-When the motor is started from the stop state, ISD1 is masked for 100 ms and 1 phase excitation fixed .

The TB9061AFNG doesn't detect an overcurrent during the masked period. ISD1 doesn't detect the motor 1 phase excitation current but it can detect irregular condition such as a motor lock-up and limit the current in normal PWM operation.

-ISD2 detects a large current due to fault conditions such as motor load shorts, and turns off the output for a certain period. This function is effective to improve the tolerance of MOSFETs to permanent damage. The ISD2 detection is always enabled.

-The following pages explain more specific functions of ISD1 and ISD2.

Note1: ISD1 doesn't detect during 1 phase excitation.



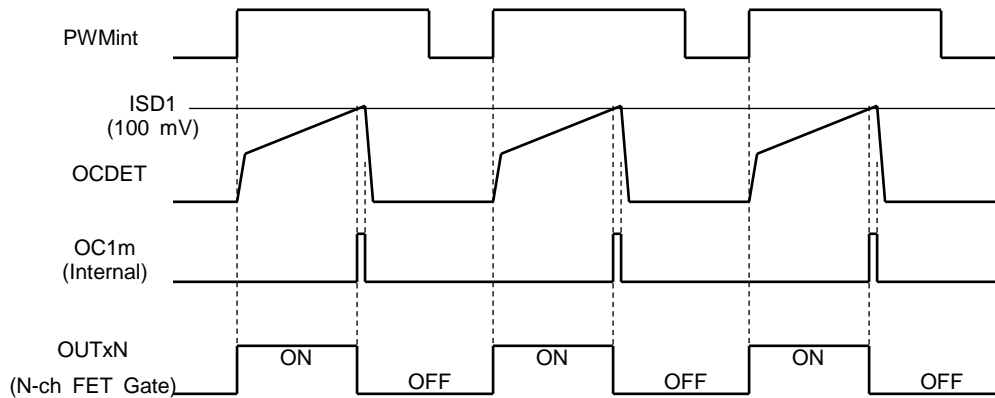
Note2: The motor current might rush to the FET during the DC excitation. Please decide the DC excitation time setting for un-break-ness or not deterioration by the heat of external FET.

Functional Description

6-1-1. Current limiting operation (ISD1)

The TB9061AFNG detects a voltage of 100 mV at OCDET and limits the motor current by controlling the PWM duty cycle.

- (1) When the internal signal PWMint becomes High, OUTxN turns on and a current runs through a motor. If the current exceeds ISD1, the TB9061AFNG changes the OC1m voltage to High and latches OUTxN off. When the current falls below the threshold while OUTxN is off, OC1m goes Low. The latch is then released at the next falling edge of PWMint and OUTxN is turned on again.
- (2) When the load is so heavy that the motor current exceeds ISD1, the TB9061AFNG limits the motor current by reducing the duty cycle of the PWM output until it becomes lower than that of PWMint.

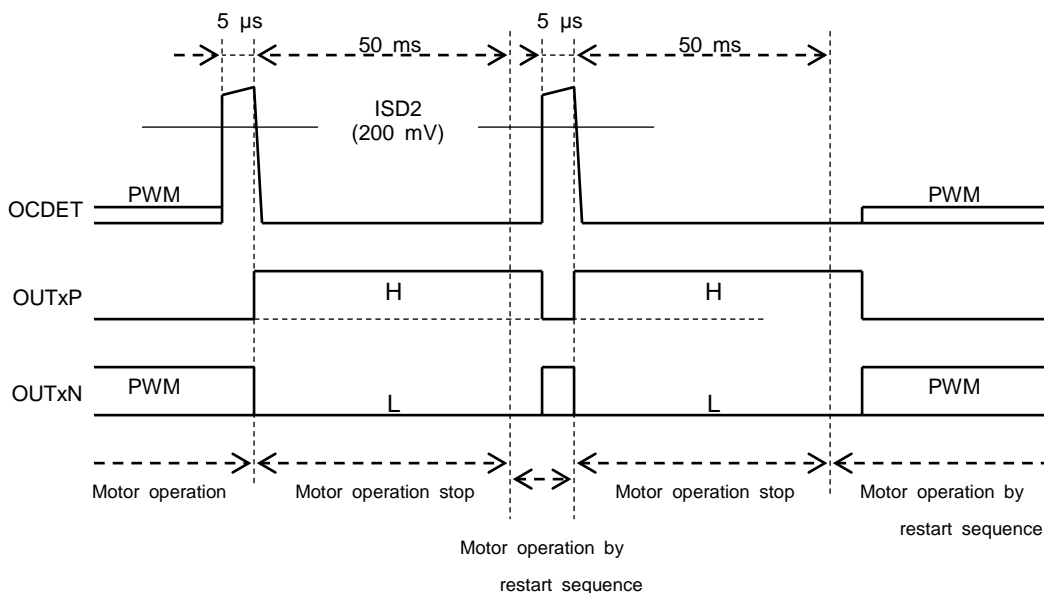


Notes: The PWM input Duty cannot use current limiting operation (ISD1) at 85% or more (PWMint = 100%). If current limiting operation occurs in 85% or more of a PWM input, there is fear of motor loss-of-synchronism. When you use current limiting operation, please set up the PWM input Duty to less than 85%.

6-1-2. Overcurrent Detection (ISD2)

If the TB9061AFNG detects a voltage of 200 mV or higher at OCDET for more than 5 μ s, it stops motor rotation. It starts motor driving again 50 ms after the OCDET voltage becomes less than 200 mV.

However, if the TB9061AFNG detects a current with a voltage higher than ISD2 for more than 5 μ s after restart, it stops motor rotation again for 50 ms. This cycle is repeated until the overcurrent is eliminated. When the TB9061AFNG detects a current with a voltage higher than ISD2 for more than 5 μ s, the data measured and calculated from the values of PSIG and ASIG are cleared and the PWMint duty cycle is reset to 0%. The TB9061AFNG resumes from re-measurement after 50 ms.

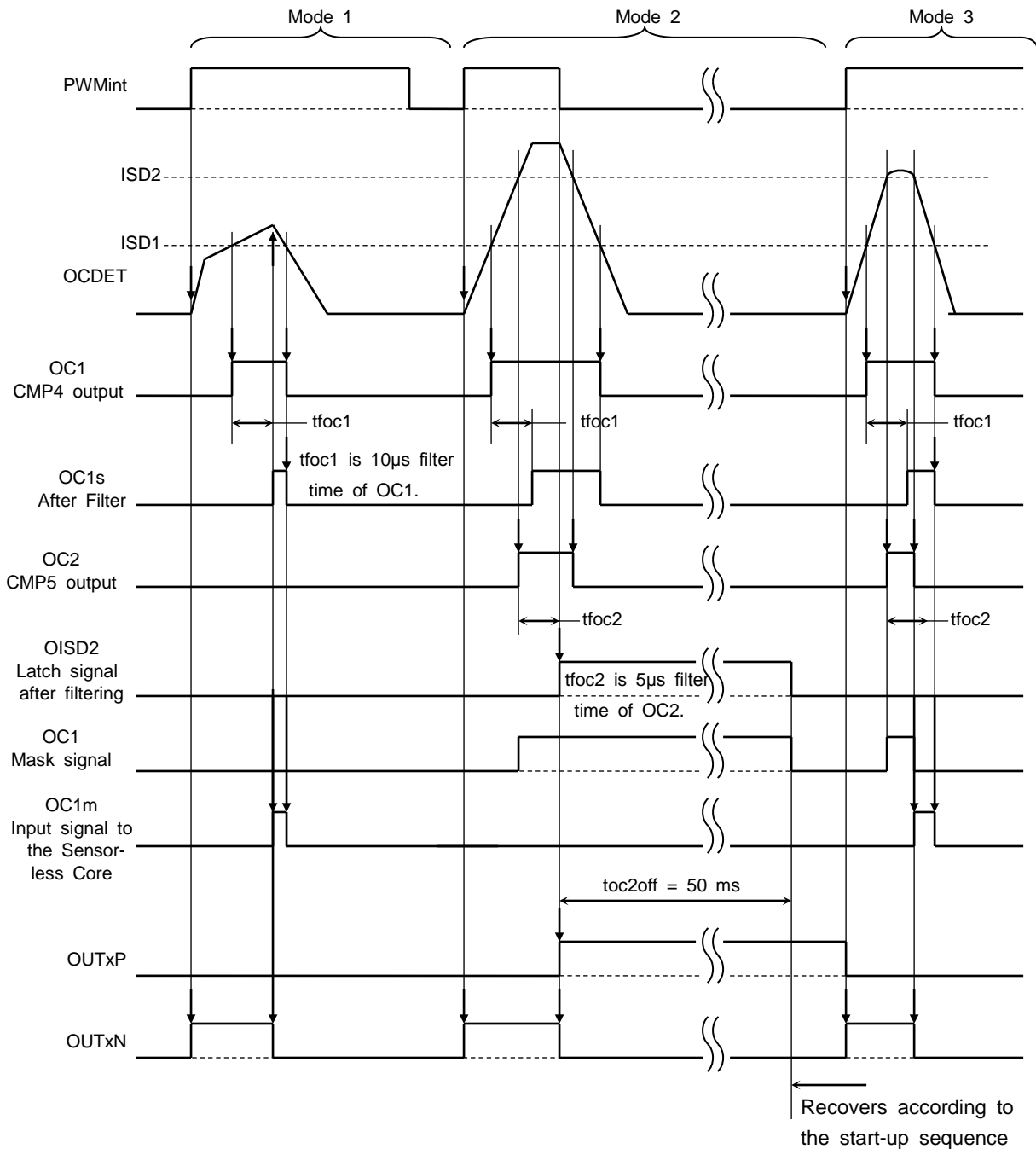


Functional Description

6-1-3. Relations between the overcurrent detection values, ISD1 and ISD2

Both ISD1 and ISD2 are active in normal operation. The relation between ISD1 and ISD2 in the operation is described as follows.

- Mode 1: In the case that the output load current is \geq ISD1 or \leq ISD2, the CMP4 asserts the OC1s and OC1m signals after the filtering time ($t_{foc1} = 10 \mu\text{s}$) and the signals are sent to the Sensorless Core Logic. Refer to Section 6-1-1 for the function of the Sensorless Core Logic when the OC1m signal is generated.
- Mode 2: If a voltage higher than ISD2 is detected within the ISD1 filtering time ($t_{foc1} = 10 \mu\text{s}$), the ISD1 detection signal is masked. If OC2 remains High for more than $t_{foc2} = 5 \mu\text{s}$, the TB9061AFNG outputs OISD2 and turns off the motor output. After $t_{oc2off} = 50 \text{ ms}$, OISD2 is deserted.
- Mode 3: If OC2 remains High for no longer than $t_{foc2} = 5 \mu\text{s}$, the TB9061AFNG doesn't generate OISD2. Thus, the OC1 mask signal is disabled and OC1m is generated.



Functional Description

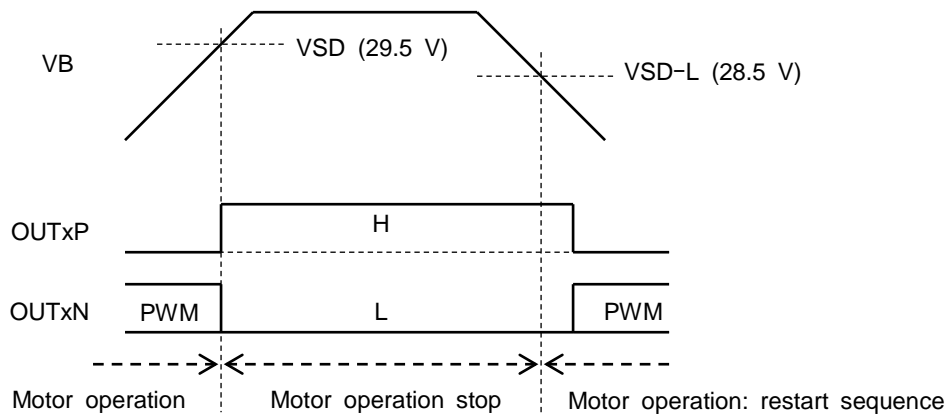
6. Detection of irregular operation (continued)

6-2. Overvoltage Detection (VSD)

If an overvoltage is applied to the VB pin, the TB9061AFNG stops the motor operation.

When the motor operation is stopped, the OUTxP pins become High and the OUTxN pins become Low.

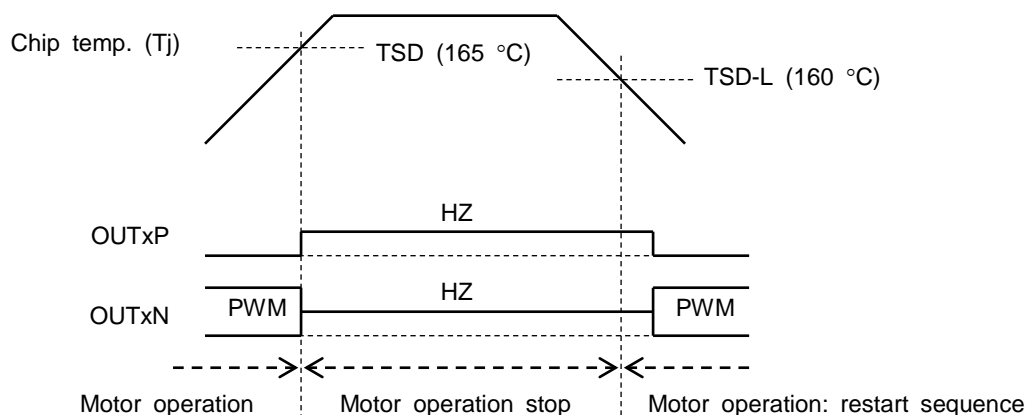
When the TB9061AFNG detects an overvoltage, the data measured and calculated from the values of PSIG and ASIG are cleared and the PWMint duty cycle is reset to 0%. The TB9061AFNG resumes from re-measurement after the overvoltage condition is eliminated.



6-3. Over-temperature Detection

If the chip temperature exceeds the detection threshold temperature (TSD), the TB9061AFNG turns the outputs off (high-impedance state) and the motor operation stops. When the over-temperature condition is eliminated, the TB9061AFNG reverts to its normal operation following the start-up sequence.

When the TB9061AFNG detects an over-temperature, the data measured and calculated from the values of PSIG and ASIG are cleared and the PWMint duty cycle is reset to 0%. The TB9061AFNG resumes from re-measurement after the over-temperature condition is eliminated.



HZ: High-Impedance

Functional Description

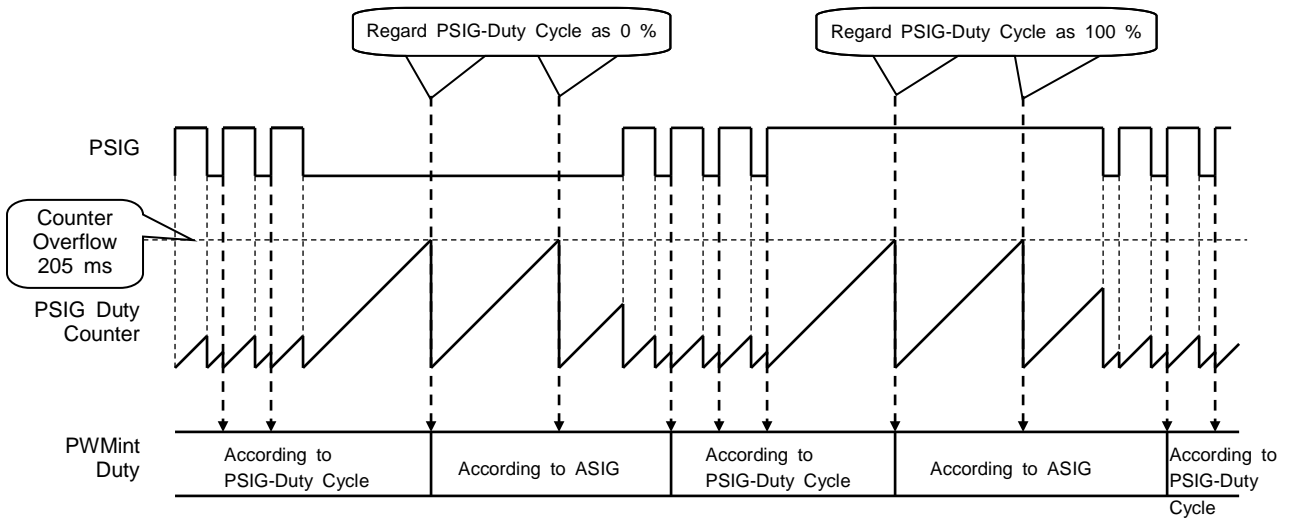
6. Detection of irregular operation (continued)

6-4. Detection of irregular PWM input

The PWM frequency range that can be applied to the PSIG pin is from 10 Hz to 1 KHz. If the TB9061AFNG separates from this range and a cycle abnormality detection value is reached, failure detection operation will be performed.

6-4-1. When the PWM cycle is too long

If the Low or High state of the PWM signal at PSIG continues for 205 ms or longer, the TB9061AFNG regards the PWM Duty cycle as 0 % or 100 % respectively. Thus, the PWMint duty cycle is determined according to the ASIG rate.



6-4-2. When the PWM cycle is too short

If the PSIG PWM cycle is less than 0.8 ms (more than 1.25 kHz), the TB9061AFNG regards it as an irregular cycle period and doesn't revise the data. Therefore, the PWM duty cycle is not changed from the one determined before the detection of irregular operation.

Functional Description

7. Motor position detection timing

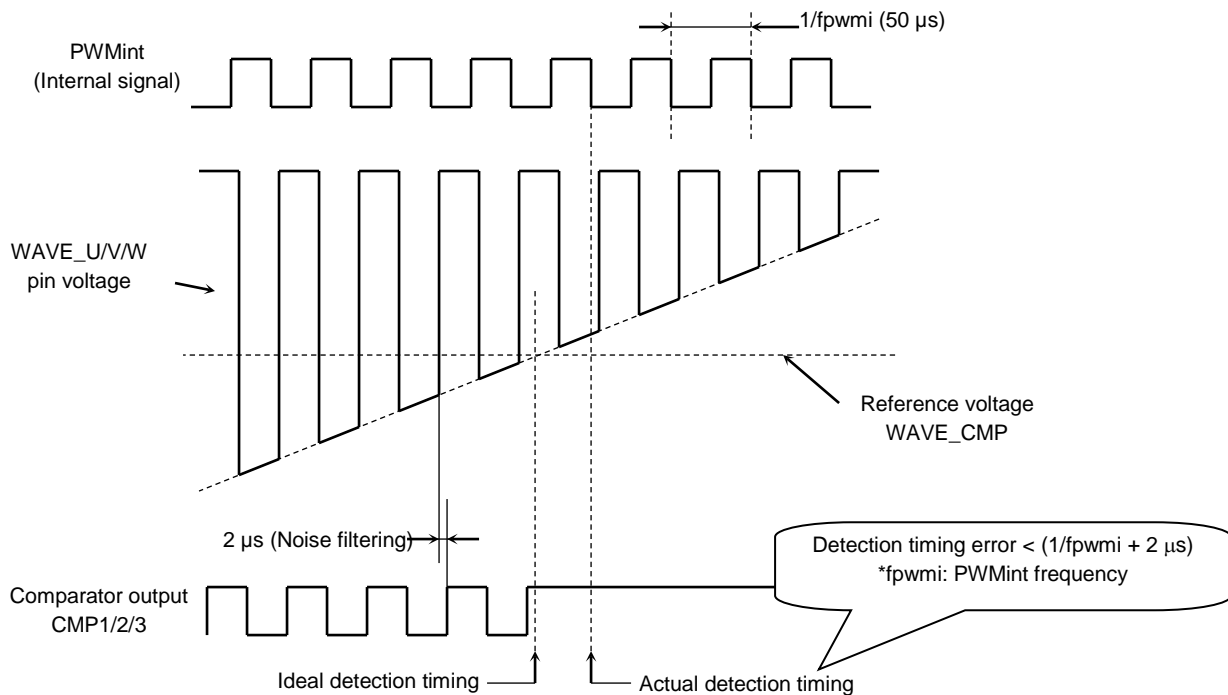
The TB9061AFNG detects the induced voltage from the WAVE_U/V/W pins at the internal comparators and receives it as position signals. When the PWMint duty cycle is less than 100 %, the TB9061AFNG determines the state of the WAVE_U/V/W voltage synchronizing with the PWMint signal. When the PWMint duty cycle is equal to 100 %, the TB9061AFNG determines the state of the WAVE_U/V/W voltage after the noise filtering period of 2 μ s.

7-1. When the PWMint duty cycle is less than 100 %

The TB9061AFNG determines the output state (High or Low) of detection comparators synchronizing with the falling edge of the PWMint signal. The timing when the output state is determined as High is regarded as position detection timing and Sensorless Core Logic receives it.

Therefore a position detection timing error of (one clock period + 2 μ s), at maximum, may occur. If PWMint is 20 kHz, the position detection timing error is 52 μ s.

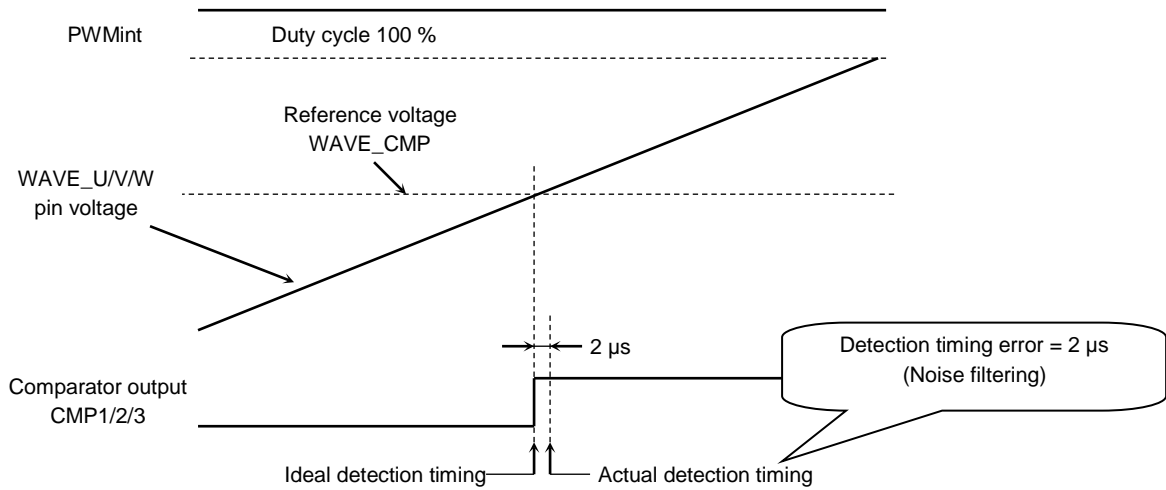
Caution is required when driving a motor of high-speed rotation.



Functional Description

7-2. When the PWMint duty cycle is 100%

The Sensorless Core Logic receives the comparator output signals and determines them as position signals after the noise filtering period of $2\mu\text{s}$.



Functional Description

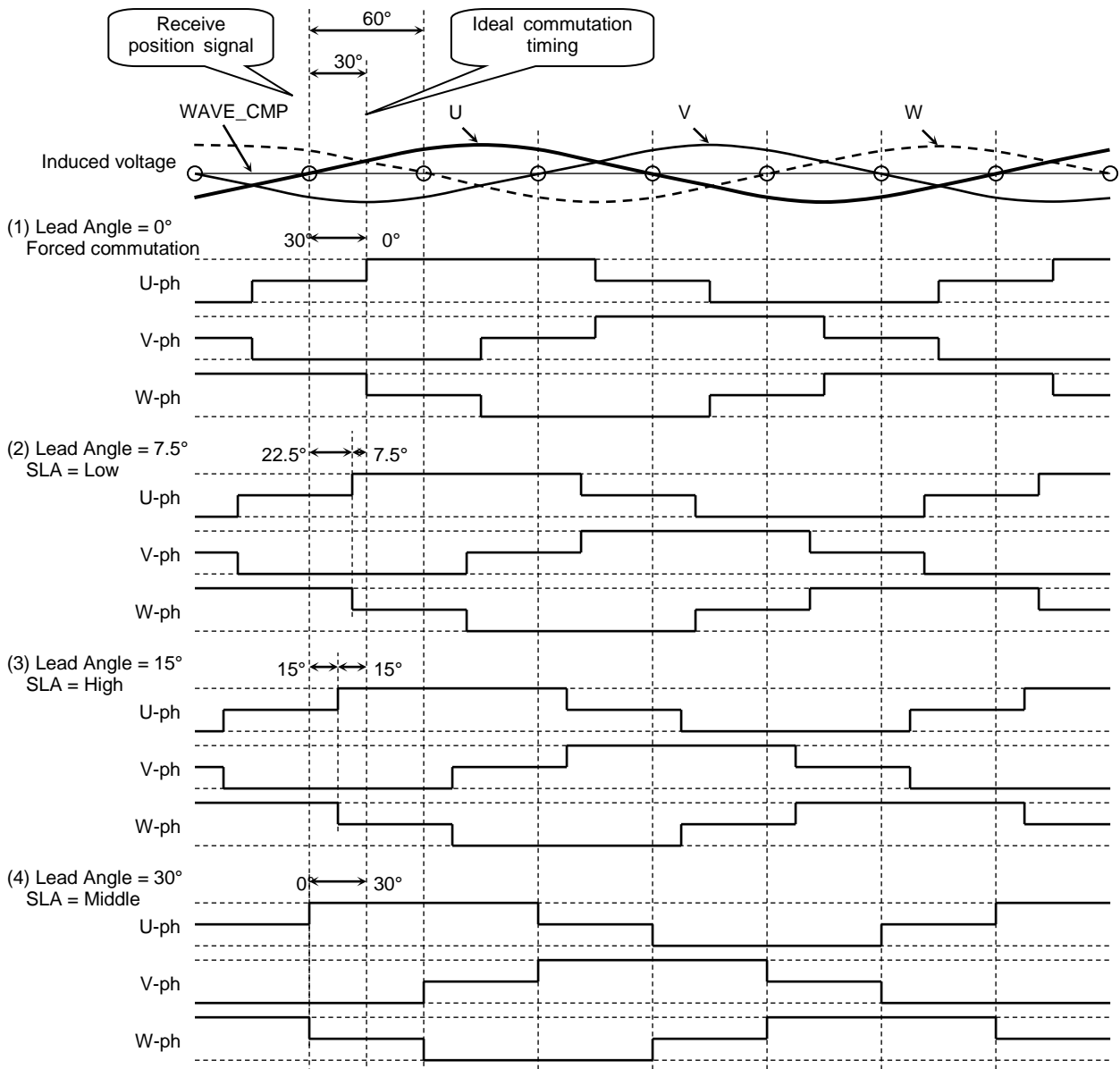
8. Lead angle control

The user can set a lead angle value at 7.5, 15 or 30 ° according to the setting of the SLA pin.

The SLA pin recognizes 3 types of input. When SLA is Low, lead angle is set to 7.5 °. When SLA is High, lead angle is set to 15 ° set. When SLA is Middle or open, lead angle is set to 30 °.

If 7.5 or 15 ° is selected, the lead angle is set to 0 ° during the forced commutation. When the normal commutation is started, it is then changed to the value set by the SLA pin automatically.

If 30 ° is selected, the lead angle is set to 30 ° even during the forced commutation.



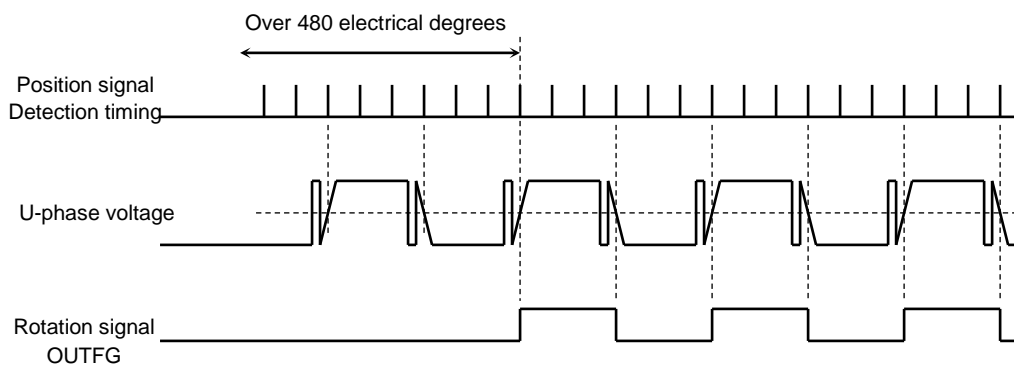
Functional Description

9. Rotational signal monitoring

The OUTFG pin outputs the signal to detect rotation speed and irregular operations, such as a motor lock-up. It is driven Low when a motor is stopped or during the forced commutation period at start-up. When the normal commutation state (under which the position signal detection is performed) continues for a period of more than 480 ° of motor electric angle, the OUTFG pin outputs the signal synchronized with the detected position signal of the U-phase.

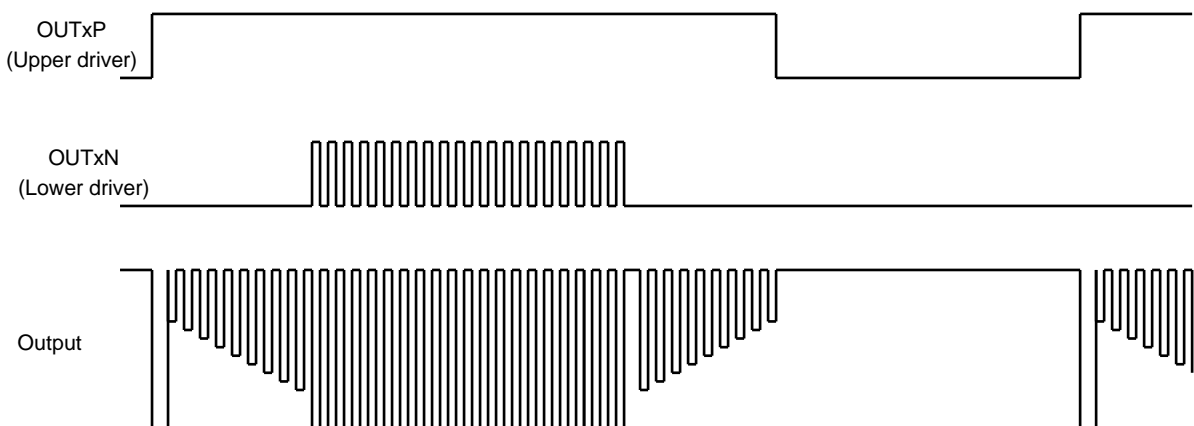
If the motor is locked during the rotation due to overload or other reasons, the TB9061AFNG performs start-up operation with the forced commutation and the OUTFG generates a Low-level voltage.

The irregular operation condition can be determined from the relations between the duty cycle of PWM signal and the rotation frequency.



10. PWM output

PWM control is applied only to the lower driver outputs (OUTUN, OUTVN, OUTWN), not to the upper driver outputs (OUTUP, OUTVP, OUTWP).



Functional Description

11. Automatic restart control(Function that operates only for analog voltage input)

The sensorless system uses the induced voltage generated by the motor rotation as a position signal. Therefore, when the motor is started from the stop state where no induced voltage is generated, a loss of synchronism may occur for not being able to detect correct position signals.

There are two types of the loss of synchronism: a loss of synchronism for high-speed rotation, which occurs when a position signal is applied continuously resulting in the high-speed commutation; and a loss of synchronism for low-speed rotation, which occurs when a position signal can only be detected irregularly.

To avoid these faults, it is recommended to monitor the motor rotational signal, OUTFG, and restart the operation upon detecting improper frequency. The OUTFG signal can be monitored if the upstream component that generates a PWM signal exists. However, for the applications that perform fixed PWM control using the analog input without monitoring the OUTFG signal, the TB9061AFNG incorporates the OUTFG monitoring function internally as well as the automatic restart control function.

The automatic restart control function only operates when an analog voltage is applied.

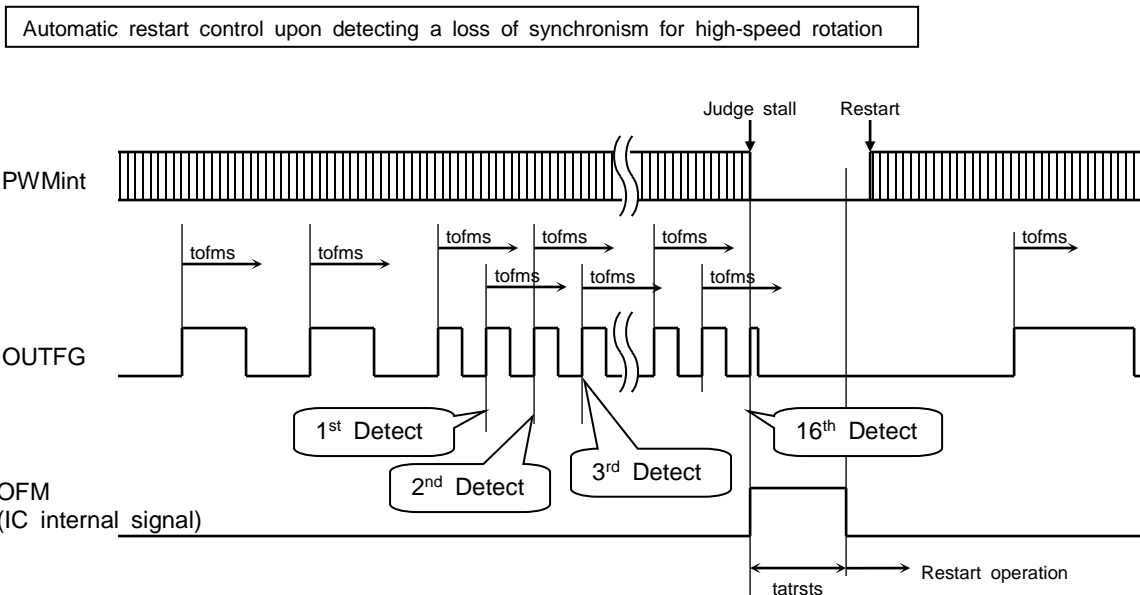
11-1 Automatic restart control upon detecting a loss of synchronism for high-speed rotation

(1) When PWMint duty cycle = 100%

If the TB9061AFNG detects the OUTFG signal period of 800 μ s (tofms1) or shorter for 16 times in a row, the TB9061AFNG judges that a loss of synchronism occurred and restarts the rotation. The TB9061AFNG performs a restart operation when the time tatrsts = 50 ms has elapsed after the detection of the loss of synchronism.

(2) When PWMint duty cycle < 100%

If the TB9061AFNG detects the OUTFG signal period of 3.2 ms (tofms2) or shorter for 16 times in a row, the TB9061AFNG judges that a loss of synchronism occurred and restarts the rotation. The TB9061AFNG performs a restart operation when the time tatrsts = 50 ms has elapsed after the detection of the loss of synchronism.



Functional Description

11. Automatic restart control (continued) (Function that operates only for analog voltage input)

11-2. Automatic restarting control upon detecting a loss of synchronism for low-speed rotation

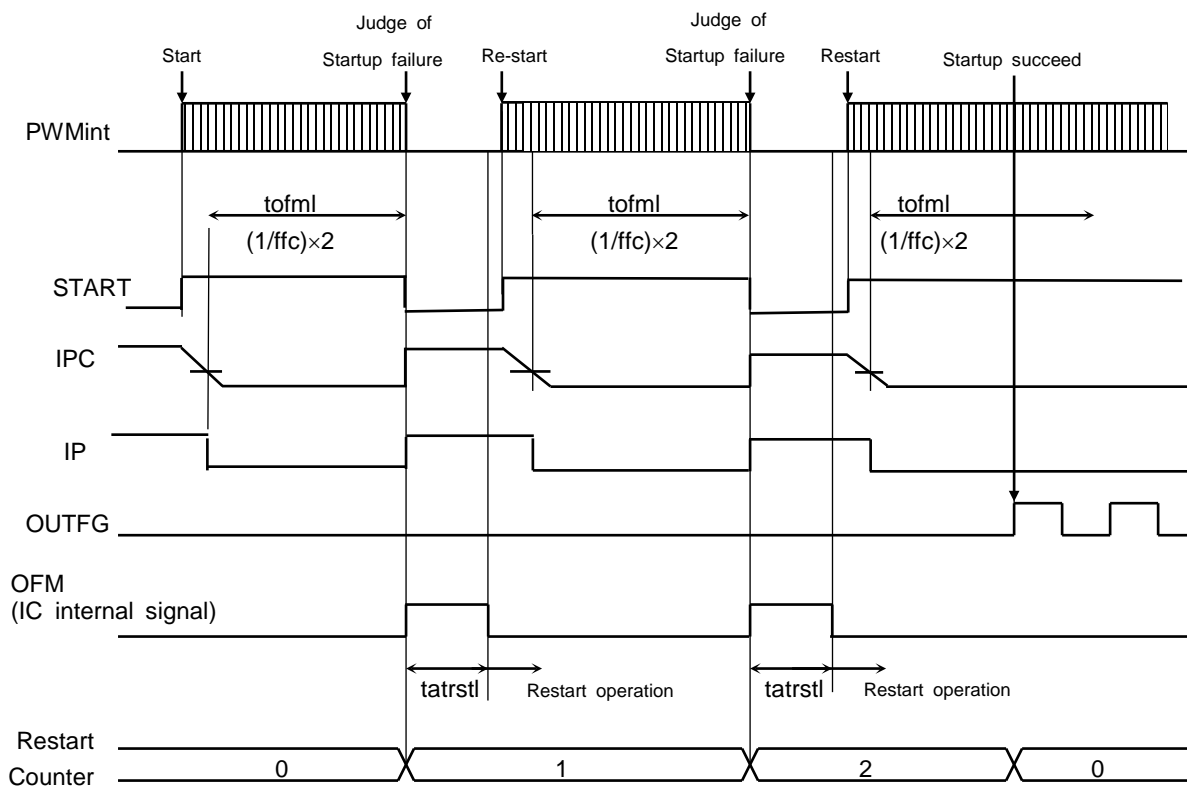
Both when PWMint = 100% and when PWMint < 100%

If the TB9061AFNG cannot detect any OUTFG signal for two cycle periods of forced commutation signal after 1 phase excitation, the TB9061AFNG judges that a startup operation has failed and performs automatic restart control operation. The TB9061AFNG performs restart operation when the time $t_{atrstl} = 50$ ms has elapsed after the detection of the startup failure.

If the TB9061AFNG detects the same failure pattern 8 times in a row, the motor control function is latched so that the motor remains in the halt state.

For releasing the latch, the user has to set the DIS pin high or turn the VB power supply back on after turning it off.

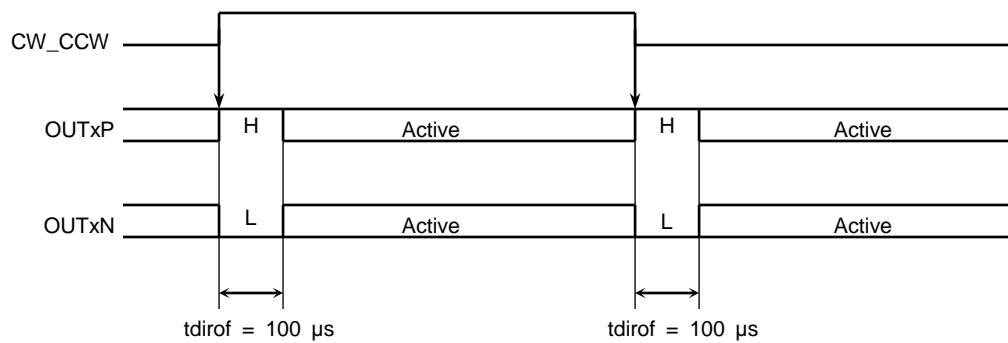
Automatic restart control upon detecting a loss of synchronism for low-speed rotation



Note: The motor current might rush to the FET during the DC excitation. Please decide the DC excitation time setting for un-break-ness or not deterioration by the repeating 1 phase excitation.

12. CW/CCW switching control

The TB9061AFNG provides a 100 μ s OFF-time for preventing shoot-through current in the external MOSFETs upon changing the rotation direction between CW and CCW. The external P-ch/N-ch MOSFETs are turned off for 100 μ s.

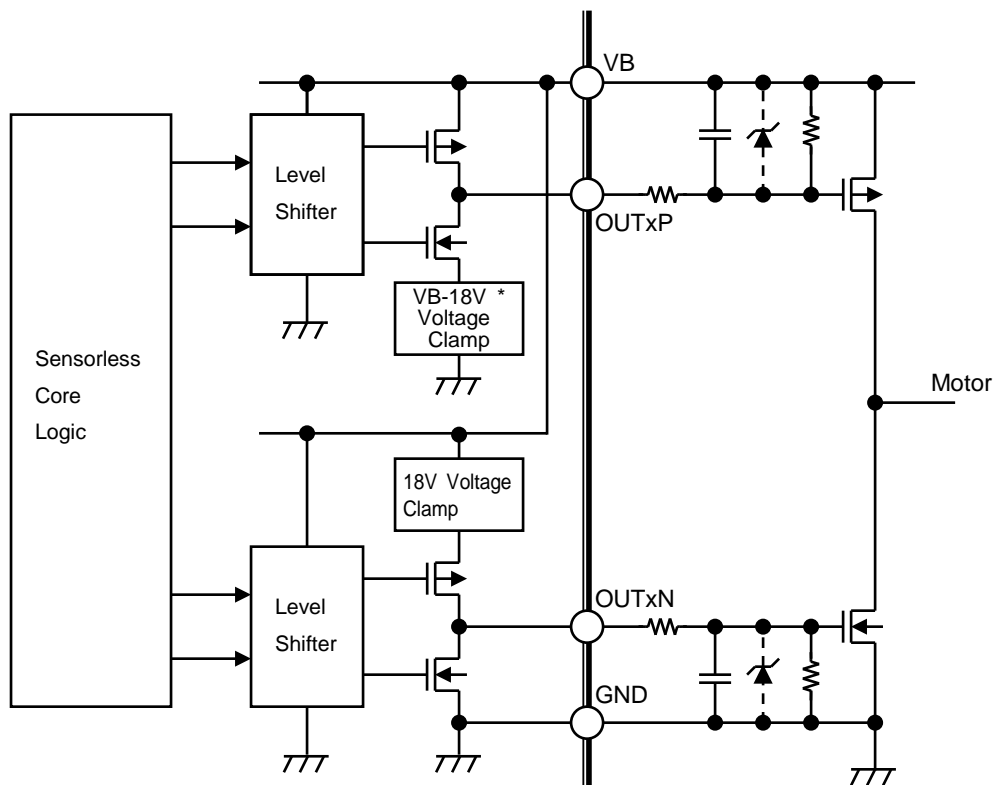


Functional Description

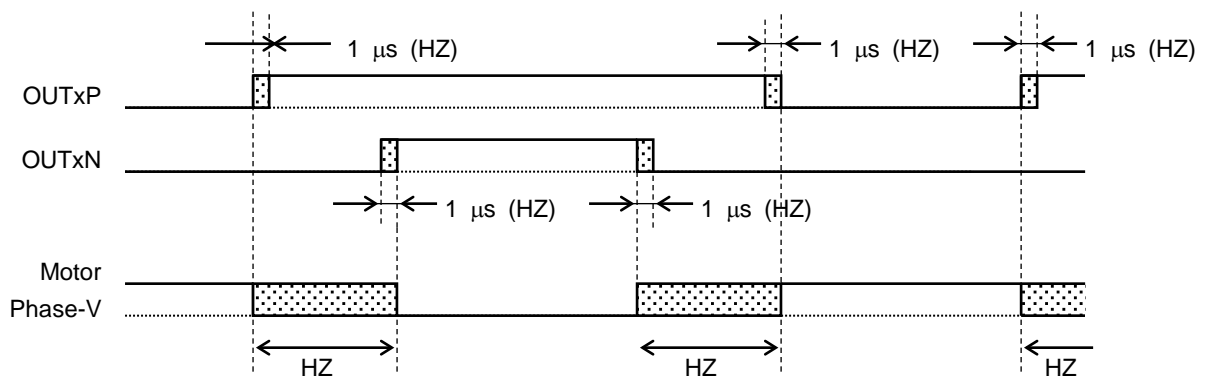
13.Pre-driver output

Pre-drivers have a half-bridge output to drive external MOSFETs by using the output signal from the Sensorless Core Logic. The TB9061AFNG provides a 1 μs OFF-time for preventing shoot-through current upon output switching between High and Low.

In addition, the TB9061AFNG incorporates an 18 V voltage clamp circuit for the protection of the external MOSFET gates. So the gate-to-source voltage of a MOSFET can be limited to 20 V or lower even when the high-voltage power supply is used. When Zener diodes are required to deal with sudden changes in the power supply or to conform to the application requirements, the user can use small-power Zener diodes.



Pre-driver's OFF-time upon output switching



HZ: High-Impedance

Absolute Maximum Ratings (Ta = 25°C)(Note 1)

| Characteristics | Symbol | Adaptable Pins | Rating | Unit |
|----------------------|--------|---|--------------------------------|------|
| Power supply voltage | VB | VB | -0.3~40 | V |
| | VREG | VREG | -0.3 to 6 | |
| | VDD | VDD | -0.3 to 6 | |
| Input voltage | VIN1 | PSIG | -0.3 to 40(0.2s) -0.3 to 30 | V |
| | VIN2 | WAVE_CMP, WAVE_U, WAVE_V, WAVE_W | -0.3 to 40(0.2s) -0.3 to 30 | |
| | VIN3 | ASIG, SFCF, SLA, IPC, DIS, OCDET | -0.3 to VREG | |
| | VIN4 | CW_CCW, TEST | -0.3 to VDD | |
| Output current | IOUT1 | OUTUP, OUTVP, OUTWP, OUTUN, OUTVN, OUTWN | ±20 | mA |
| | IOUT2 | | ±200 (5 μs) | |
| | IOUT3 | OUTFG | ±1 | |
| | ILOAD | VREG | -10 | |
| Output voltage | VOUT1 | OUTUP, OUTVP, OUTWP, OUTUN, OUTVN, OUTWN | -0.3 to VB | V |
| | VOUT2 | OUTFG | -0.3 to VDD | |
| Storage temperature | Tstg | | -55 to +150 | °C |
| Power dissipation | PD | | 0.89 (Note 2) | W |

Note 1: The absolute maximum ratings of a semiconductor device are a set of ratings that must not be exceeded during operation, even for an instant. Exceeding the rating(s) may cause the device breakdown, damage or deterioration, and may damage any other equipment. Applications using the device should be designed such that the absolute maximum ratings will never be exceeded in any operating conditions. The device must be used within the specified operating range.

Note 2: Mounted on a board (50 × 50 × 1.6 mm, Cu: 40%) when Ta = 25°C.

Electrical Characteristics

Operating Range

| Characteristics | Symbol | Operating Range | Unit | Remarks |
|-----------------------|--------|-----------------|------|--|
| Power supply voltage | VB | 18 to 27 | V | Keep controlling motor Outside of Electrical Characteristics assurance |
| | | 5.5 to 18 | V | Recommended operating voltage range with all spec parameters warranted |
| | | 5.0 to 5.5 | V | Keep controlling motor Outside of Electrical Characteristics assurance |
| | VDD | 4 to 5.5 | V | |
| Operating temperature | Topr | -40 to 125 | °C | Ta (Ambient temperature) |
| | | -40 to 150 | °C | Tj (Junction temperature) |
| Input PWM frequency | PWM | 10 to 1 k | Hz | |
| Input PWM duty cycle | PWMD | 0 to 100 | % | |

Electrical Characteristics (VB = 5.5 to 18 V, VDD = VREG, Ta = -40 to 125°C, unless otherwise specified.)

| Characteristics | Symbol | Pin | Test Condition | Min | Typ. | Max | Unit |
|------------------------------|--------|--------|--------------------|-------------|-------------|-------------|------|
| DC characteristics | | | | | | | |
| Current consumption | IB | VB | VB = 5.5 to 16 V | — | — | 5 | mA |
| Signal input | | | | | | | |
| Threshold voltage | VIH | PSIG | | — | VREG × 0.62 | — | V |
| | VIL | | | — | VREG × 0.58 | — | |
| Input hysteresis voltage | dVTH | PSIG | | — | 0.2 | — | V |
| Noise filter | tfpsig | PSIG | | — | 10 | — | μs |
| Input current | IIH | PSIG | VIN = 16 V | — | 64 | — | μA |
| | IIL | | VIN = 0 V | -5 | — | 5 | |
| Input current | IIH | ASIG | VIN = VREG | -5 | — | 5 | μA |
| | IIL | | VIN = 0 V | -40 | -20 | -10 | |
| Input current | IIH | SFCF | VIN = VREG | 28 | 57 | 112 | μA |
| | IIL | | VIN = 0 V | -90 | -45 | -23 | |
| Input voltage | VIN | | | — | VREG × 0.44 | — | V |
| Threshold voltage | VIH | SLA | | VREG × 0.75 | — | VREG | V |
| | VIM | | | VREG × 0.35 | — | VREG × 0.65 | |
| | VIL | | | 0 | — | VREG × 0.25 | |
| Input current | IIH | SLA | VIN = VREG | 25 | 50 | 100 | μA |
| | IIL | | VIN = 0 V | -100 | -50 | -25 | |
| Threshold voltage | VIH | DIS | | — | VREG × 0.52 | — | V |
| | VIL | | | — | VREG × 0.48 | — | |
| Input hysteresis voltage | dVTH | DIS | | 0.15 | 0.2 | 0.25 | V |
| Input current | IIH | DIS | VIN = VREG | 10 | 20 | 40 | μA |
| | IIL | | VIN = 0 V | -5 | — | 5 | |
| Input voltage | VIH | CW_CCW | | VDD × 0.8 | — | VDD | V |
| | VIL | | | 0 | — | VDD × 0.2 | |
| Input current | IIH | CW_CCW | VIN = VDD | 10 | 20 | 40 | μA |
| | IIL | | VIN = 0 V | -5 | — | 5 | |
| Output voltage | VOH | OUTFG | IOH = -1 mA | VDD × 0.8 | — | VDD | V |
| | VOL | | IOL = 1 mA | 0 | — | VDD × 0.2 | |
| Regulator/Reset | | | | | | | |
| 5-V output voltage | VREG | VREG | ILOAD = 1 to 10 mA | 4.85 | 5.0 | 5.15 | V |
| Current limiter | Ilimit | VREG | | 25 | 50 | — | mA |
| Reset detect voltage | VRST | VREG | | 4.0 | 4.2 | 4.4 | V |
| Reset release voltage | VRST_R | VREG | | — | 4.4 | — | V |
| Hysteresis of detect voltage | dVRST | VREG | | — | 0.2 | — | V |
| Power-on reset | TPR | VREG | | 0.8 | 1 | 1.2 | ms |

Electrical characteristics (VB = 5.5 to 18 V, VDD = VREG, Ta = -40 to 125°C, unless otherwise specified.)

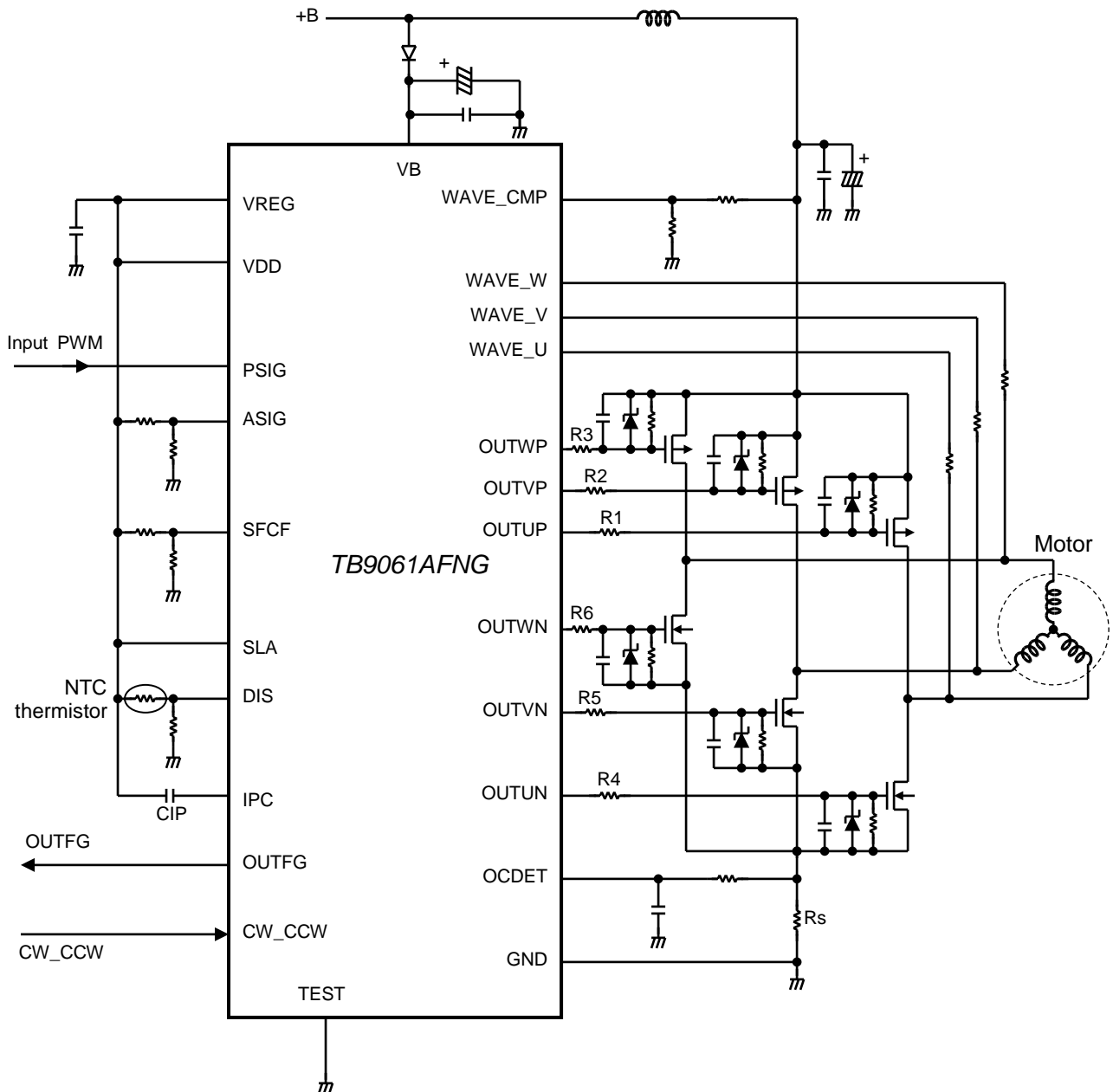
| Characteristics | Symbol | Pin | Test Condition | Min | Typ. | Max | Unit | | |
|-----------------------------|--------|--|--|----------------------------------|-------------|--------|------|-----|---|
| Pre-driver | | | | | | | | | |
| Output voltage | VOH | OUTUP OUTVP OUTWP | IOH = -1 mA | VB-0.2V | — | — | V | | |
| | | | IOH = -20 mA | VB-0.5V | — | — | | | |
| | VOL | | — | VB = 5.5 to 16 V, IOL = 1 mA | — | — | 0.2 | V | |
| | | | | VB = 5.5 to 16 V, IOL = 20 mA | — | — | 0.5 | | |
| | VOH | OUTUN OUTVN OUTWN | VB = 5.5 to 16 V, IOH = -1 mA | VB-0.2V | — | — | V | | |
| | | | VB = 5.5 to 16 V, IOH = -20 mA | VB-0.5V | — | — | | | |
| | | | VOL | — | IOL = 1 mA | — | — | 0.2 | V |
| | | | | | IOL = 20 mA | — | — | 0.5 | |
| Output leakage current | ILEAK | OUTUP,OUTVP, OUTWP | VOUT = VB | -10 | — | 10 | μA | | |
| | | | VB = 5.5 to 16 V, VOUT = 0 V | -10 | — | 10 | | | |
| | | OUTUN,OUTVN, OUTWN | VB = 5.5 to 16 V, VOUT = VB | -10 | — | 10 | μA | | |
| | | | VOUT = 0 V | -10 | — | 10 | | | |
| Propagation delay time | tpLH | OUTUP, OUTVP, OUTWP, OUTUN, OUTVN, OUTWN | Sensorless Core Logic output to OUTxx | — | — | 4 | μs | | |
| | tpHL | — | | — | — | 4 | | | |
| Comparator | | | | | | | | | |
| Input offset voltage | VIO | WAVE_CMP WAVE_U WAVE_V WAVE_W | | -10 | — | 10 | mV | | |
| Common input voltage range | CMVIN | | | 2 | — | VB - 2 | V | | |
| Input current | IIN | | VIN = 0 to VB | -1 | — | 1 | μA | | |
| Input filter | Tfilc | | | — | 2 | — | μs | | |
| Clock, PWM | | | | | | | | | |
| Oscillating frequency | fosc | | | 4.10 | 5.12 | 6.14 | MHz | | |
| PWM frequency | fpint | | | 16 | 20 | 24 | kHz | | |
| Detection function | | | | | | | | | |
| Overvoltage detection | VSD | VB | Detect | 28 | 29.5 | 31 | V | | |
| | VSD-L | | Release | 27 | 28.5 | 30 | | | |
| Overvoltage hysteresis | dVSD | | — | — | 1.0 | — | | | |
| Overcurrent detection 1 | ISD1 | | OCDET | | 80 | 100 | 120 | mV | |
| Overcurrent detection 2 | ISD2 | OCDET | | 180 | 200 | 220 | mV | | |
| Overtemperature detection | TSD | PSIG | Detect | — | 165 | — | °C | | |
| | TSD-L | | Release | — | 160 | — | | | |
| Overtemperature hysteresis | dTSD | | — | — | 5 | — | | | |
| PSIG cycle period detection | TPLO | | PSIG | Low-level period | — | 205 | — | ms | |
| | TPHO | High-level period | | — | 205 | — | | | |
| | TPCU | Cycle period | | — | 0.8 | — | | | |
| IP Control | | | | | | | | | |
| Threshold voltage | VTH | IPC | | — | VREG × 0.6 | — | V | | |
| Charge current | Ichg | | VIN = VREG to VTH | — | 10 | — | μA | | |
| DC excitation time | TIP | — | | — | 200 × CIP | — | ms | | |

*The unit of CIP is μF.

Application Examples

Example of the entire PWM input control circuit

- Output PWM duty cycle: Determined by the PSIG PWM duty cycle
- Lead angle: 15°
- With DC excitation control



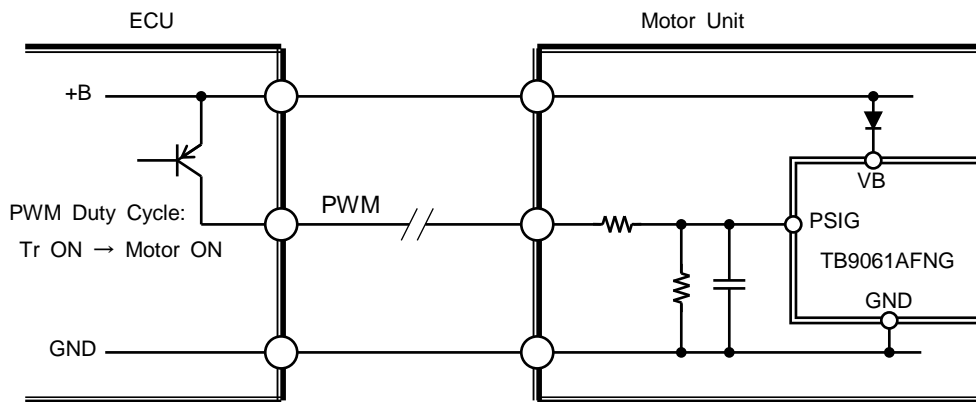
Note1: The capacitor connected to the Source pin of the Pch FET is for absorbing disturbance noise, voltage fluctuation by load change, etc. Connect it as close to the Source pin of the Pch FET as possible.

Note2: We recommend more than 100 Ω from R1 to R6 as the external resistance of pre-driver output pin.

Application examples

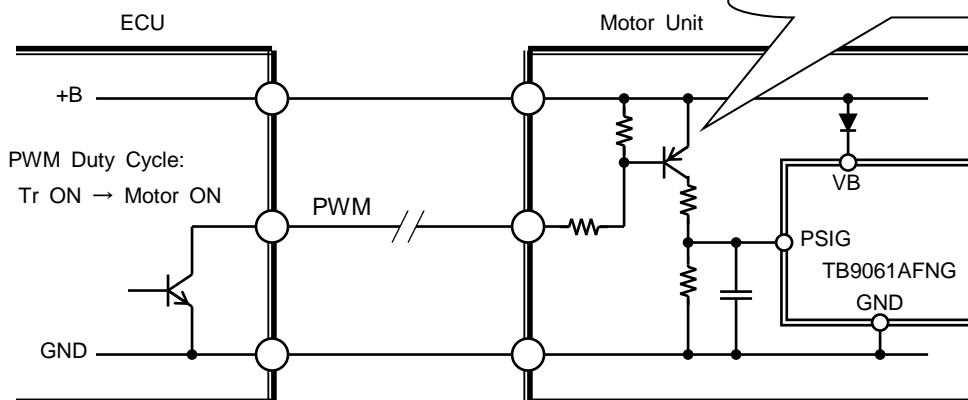
PWM input circuit example 1

When the input PWM signal is active-High



PWM input circuit example 2

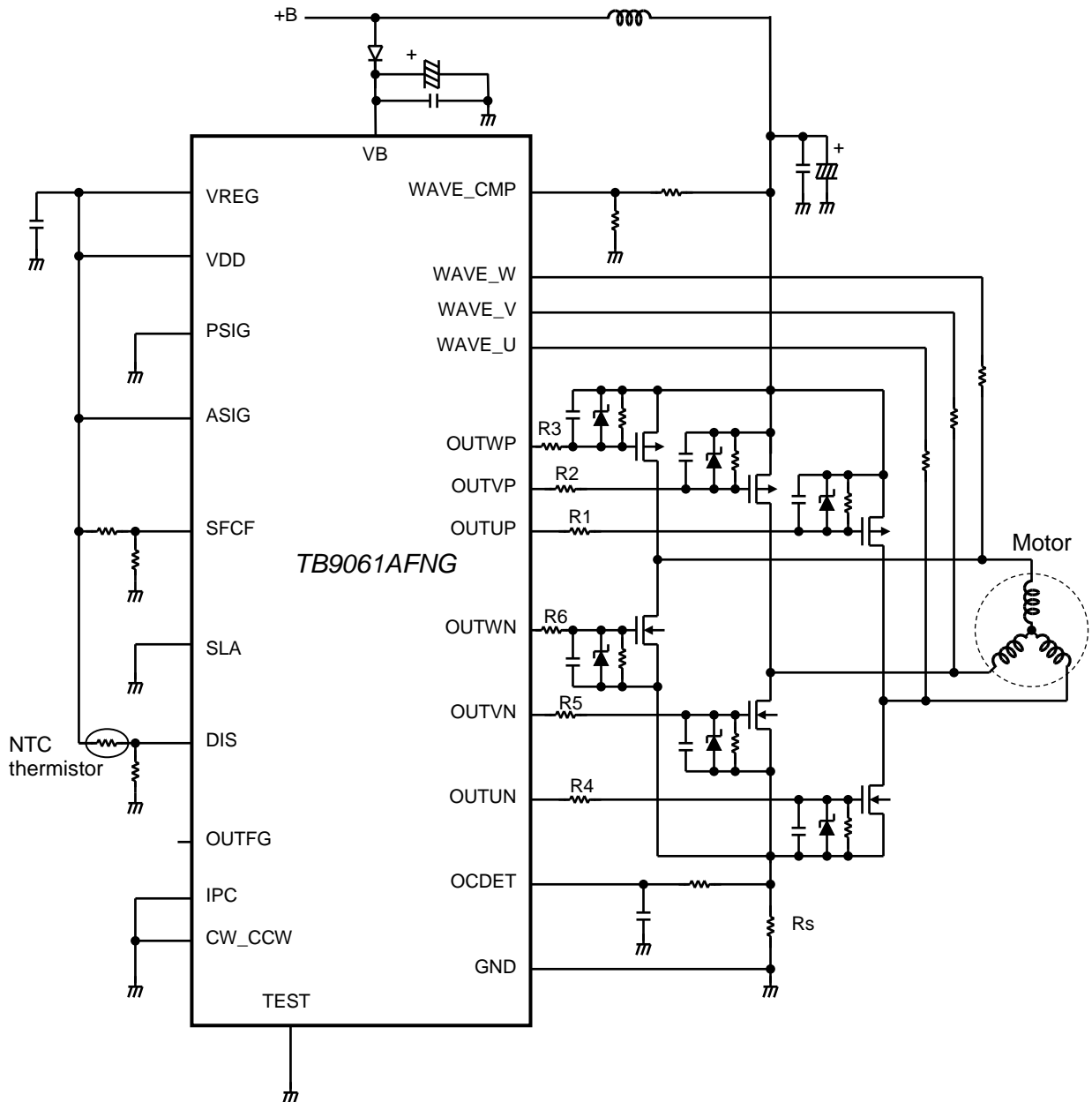
When the input PWM signal is active-Low



Application Examples

Circuit example with fixed PWM duty cycle (for high-speed rotation)

- Output PWM duty cycle: Determined by the ASIG rate (100%)
- Lead angle: 7.5°
- Without DC excitation control
- Fixed to CW mode



Note1: The capacitor connected to the Source pin of the Pch FET is for absorbing disturbance noise, voltage fluctuation by load change, etc. Connect it as close to the Source pin of the Pch FET as possible.

Note2: We recommend more than 100Ω from R1 to R6 as the external resistance of pre-driver output pin.

Notes

Note 1: Some of the functional blocks, circuits, or constants in the block diagram may be omitted or simplified for explanatory purposes.

Note 2: The equivalent circuit diagrams may be simplified or some parts of them may be omitted for explanatory purposes.

Note 3: Timing charts may be simplified for explanatory purposes.

Note 4: Ensure that the IC is mounted correctly as specified. Failing to observe the correct mounting procedure or requirements may damage the IC or target equipment.

Note 5: The application circuits shown in this document are provided for reference purposes only. Thorough evaluation is required, especially at the mass production design stage.

Toshiba does not grant any license to any industrial property rights by providing these examples of application circuits.

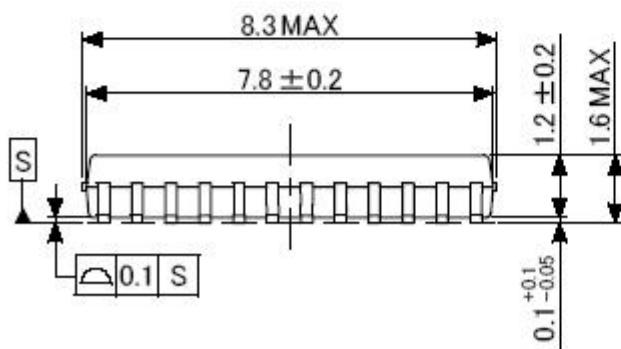
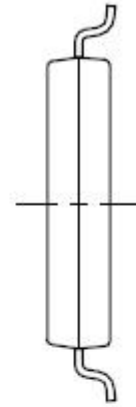
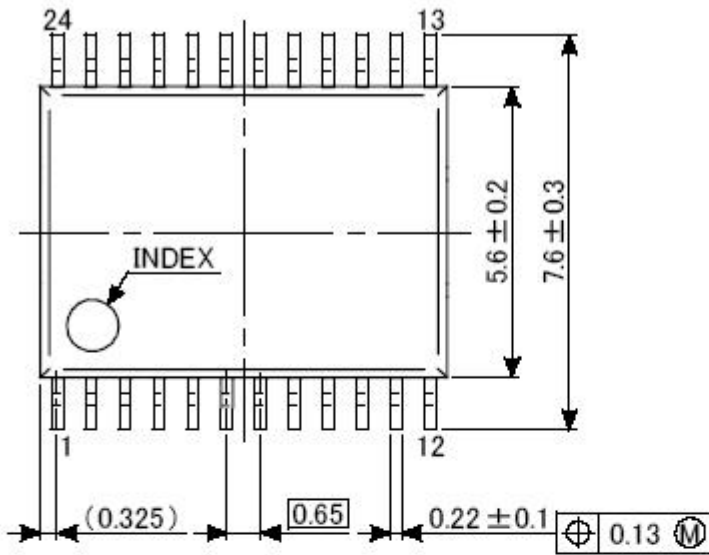
Note 6: Utmost care is necessary in the design of the output OUTXX, VB ,VDD and GND lines since the IC may be destroyed in case of a short-circuit across outputs, a short-circuit to power supply, or a short-circuit to ground.

Note 7: Please use to make a short both VREG and VDD always.

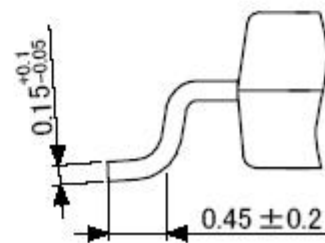
Possibly make a malfunction to potential difference occurs between VREG and VDD.

Package Dimensions

Unit:mm



Lead edge dimension



Weight: 0.14 g (typ.)

RESTRICTIONS ON PRODUCT USE

Toshiba Corporation and its subsidiaries and affiliates are collectively referred to as "TOSHIBA". Hardware, software and systems described in this document are collectively referred to as "Product".

- TOSHIBA reserves the right to make changes to the information in this document and related Product without notice.
- This document and any information herein may not be reproduced without prior written permission from TOSHIBA. Even with TOSHIBA's written permission, reproduction is permissible only if reproduction is without alteration/omission.
- Though TOSHIBA works continually to improve Product's quality and reliability, Product can malfunction or fail. Customers are responsible for complying with safety standards and for providing adequate designs and safeguards for their hardware, software and systems which minimize risk and avoid situations in which a malfunction or failure of Product could cause loss of human life, bodily injury or damage to property, including data loss or corruption. Before customers use the Product, create designs including the Product, or incorporate the Product into their own applications, customers must also refer to and comply with (a) the latest versions of all relevant TOSHIBA information, including without limitation, this document, the specifications, the data sheets and application notes for Product and the precautions and conditions set forth in the "TOSHIBA Semiconductor Reliability Handbook" and (b) the instructions for the application with which the Product will be used with or for. Customers are solely responsible for all aspects of their own product design or applications, including but not limited to (a) determining the appropriateness of the use of this Product in such design or applications; (b) evaluating and determining the applicability of any information contained in this document, or in charts, diagrams, programs, algorithms, sample application circuits, or any other referenced documents; and (c) validating all operating parameters for such designs and applications. **TOSHIBA ASSUMES NO LIABILITY FOR CUSTOMERS' PRODUCT DESIGN OR APPLICATIONS.**
- **PRODUCT IS NEITHER INTENDED NOR WARRANTED FOR USE IN EQUIPMENTS OR SYSTEMS THAT REQUIRE EXTRAORDINARILY HIGH LEVELS OF QUALITY AND/OR RELIABILITY, AND/OR A MALFUNCTION OR FAILURE OF WHICH MAY CAUSE LOSS OF HUMAN LIFE, BODILY INJURY, SERIOUS PROPERTY DAMAGE AND/OR SERIOUS PUBLIC IMPACT ("UNINTENDED USE").** Except for specific applications as expressly stated in this document, Unintended Use includes, without limitation, equipment used in nuclear facilities, equipment used in the aerospace industry, and lifesaving and / or life supporting medical equipment. **IF YOU USE PRODUCT FOR UNINTENDED USE, TOSHIBA ASSUMES NO LIABILITY FOR PRODUCT.** For details, please contact your TOSHIBA sales representative or contact us via our website.
- Do not disassemble, analyze, reverse-engineer, alter, modify, translate or copy Product, whether in whole or in part.
- Product shall not be used for or incorporated into any products or systems whose manufacture, use, or sale is prohibited under any applicable laws or regulations.
- The information contained herein is presented only as guidance for Product use. No responsibility is assumed by TOSHIBA for any infringement of patents or any other intellectual property rights of third parties that may result from the use of Product. No license to any intellectual property right is granted by this document, whether express or implied, by estoppel or otherwise.
- **ABSENT A WRITTEN SIGNED AGREEMENT, EXCEPT AS PROVIDED IN THE RELEVANT TERMS AND CONDITIONS OF SALE FOR PRODUCT, AND TO THE MAXIMUM EXTENT ALLOWABLE BY LAW, TOSHIBA (1) ASSUMES NO LIABILITY WHATSOEVER, INCLUDING WITHOUT LIMITATION, INDIRECT, CONSEQUENTIAL, SPECIAL, OR INCIDENTAL DAMAGES OR LOSS, INCLUDING WITHOUT LIMITATION, LOSS OF PROFITS, LOSS OF OPPORTUNITIES, BUSINESS INTERRUPTION AND LOSS OF DATA, AND (2) DISCLAIMS ANY AND ALL EXPRESS OR IMPLIED WARRANTIES AND CONDITIONS RELATED TO SALE, USE OF PRODUCT, OR INFORMATION, INCLUDING WARRANTIES OR CONDITIONS OF MERCHANTABILITY, FITNESS FOR A PARTICULAR PURPOSE, ACCURACY OF INFORMATION, OR NONINFRINGEMENT.**
- Do not use or otherwise make available Product or related software or technology for any military purposes, including without limitation, for the design, development, use, stockpiling or manufacturing of nuclear, chemical, or biological weapons or missile technology products (mass destruction weapons). Product and related software and technology may be controlled under the applicable export laws and regulations including, without limitation, the Japanese Foreign Exchange and Foreign Trade Law and the U.S. Export Administration Regulations. Export and re-export of Product or related software or technology are strictly prohibited except in compliance with all applicable export laws and regulations.
- Please contact your TOSHIBA sales representative for details as to environmental matters such as the RoHS compatibility of Product. Please use Product in compliance with all applicable laws and regulations that regulate the inclusion or use of controlled substances, including without limitation, the EU RoHS Directive. **TOSHIBA ASSUMES NO LIABILITY FOR DAMAGES OR LOSSES OCCURRING AS A RESULT OF NONCOMPLIANCE WITH APPLICABLE LAWS AND REGULATIONS.**

TOSHIBA ELECTRONIC DEVICES & STORAGE CORPORATION

<https://toshiba.semicon-storage.com/>

Mouser Electronics

Authorized Distributor

Click to View Pricing, Inventory, Delivery & Lifecycle Information:

[Toshiba:](#)

[TB9061AFNG,EL](#)

Компания «Life Electronics» занимается поставками электронных компонентов импортного и отечественного производства от производителей и со складов крупных дистрибьюторов Европы, Америки и Азии.

С конца 2013 года компания активно расширяет линейку поставок компонентов по направлению коаксиальный кабель, кварцевые генераторы и конденсаторы (керамические, пленочные, электролитические), за счёт заключения дистрибьюторских договоров

Мы предлагаем:

- Конкурентоспособные цены и скидки постоянным клиентам.
- Специальные условия для постоянных клиентов.
- Подбор аналогов.
- Поставку компонентов в любых объемах, удовлетворяющих вашим потребностям.
- Приемлемые сроки поставки, возможна ускоренная поставка.
- Доставку товара в любую точку России и стран СНГ.
- Комплексную поставку.
- Работу по проектам и поставку образцов.
- Формирование склада под заказчика.
- Сертификаты соответствия на поставляемую продукцию (по желанию клиента).
- Тестирование поставляемой продукции.
- Поставку компонентов, требующих военную и космическую приемку.
- Входной контроль качества.
- Наличие сертификата ISO.

В составе нашей компании организован Конструкторский отдел, призванный помогать разработчикам, и инженерам.

Конструкторский отдел помогает осуществить:

- Регистрацию проекта у производителя компонентов.
- Техническую поддержку проекта.
- Защиту от снятия компонента с производства.
- Оценку стоимости проекта по компонентам.
- Изготовление тестовой платы монтаж и пусконаладочные работы.



Тел: +7 (812) 336 43 04 (многоканальный)

Email: org@lifeelectronics.ru