

# Total Counter/Time Counter (DIN 72 x 36) H7HP

## Compact Total Counters and Time Counters with Easy-to-read Displays and IP66G/ NEMA4 Water and Oil Resistance

- Large, easy-to-read displays: 15-mm-high characters for 6-digit models; 12-mm-high characters for 8-digit models.
- High-visibility, negative transmissive LCD display with built-in red LED backlight at low power consumption.
- Compact (66 mm) body.
- Switch 6-digit models between total counter and time counter operation.



## Model Number Structure

### Model Number Legend

H7HP-□□□□  
1 2 3 4

#### 1. Classification

- A: Total counter/time counter
- C: Total counter

#### 2. Digits

- None: 6 digits
- 8: 8 digits

#### 3. Supply Voltage

- None: 100 to 240 VAC
- D: 12 to 24 VDC

#### 4. Case Color

- None: Light gray (Munsell 5Y7/1)
- B: Black

## Ordering Information

### List of Models

| Supply voltage | 6-digit total counter/time counter |          | 8-digit total counter |           |
|----------------|------------------------------------|----------|-----------------------|-----------|
|                | Light gray                         | Black    | Light gray            | Black     |
| 100 to 240 VAC | H7HP-A                             | H7HP-AB  | H7HP-C8               | H7HP-C8B  |
| 12 to 24 VDC   | H7HP-AD                            | H7HP-ADB | H7HP-C8D              | H7HP-C8DB |

# Specifications

## ■ Ratings

| Item                    | 6-digit total counter/time counter                                     |  | 8-digit total counter            |                           |
|-------------------------|--|--|----------------------------------|---------------------------|
|                         | H7HP-A   | H7HP-AD  | H7HP-C8                          | H7HP-C8D                  |
| Rated supply voltage    | 100 to 240 VAC (50/60 Hz)  | 12 to 24 VDC (see note 1)  | 100 to 240 VAC (50/60 Hz)        | 12 to 24 VDC (see note 1) |
| External power supply   | 50 mA at 12 VDC  | ---  | 50 mA at 12 VDC                  | ---                       |
| Operating voltage range | 85% to 110% of rated supply voltage                                    |  |                                  |                           |
| Power consumption       | 100 to 240 VAC: 6.5 VA max.<br>12 to 24 VDC: 0.6 W max.                |  |                                  |                           |
| Dimensions              | 72 x 36 x 66 mm (W x H x D)  |  |                                  |                           |
| Mounting method         | Flush mounting   |  |                                  |                           |
| External connections    | Screw terminals  |  |                                  |                           |
| Degree of protection    | Panel surface: IEC IP66 (JEM standard IP66G) and NEMA Type 4 (indoors) |  |                                  |                           |
| Display                 | 7-segment, negative transmissive LCD (with red backlight)              |  |                                  |                           |
| Digits                  | 6 digits (15-mm-high characters)                                       |  | 8 digits (12-mm-high characters) |                           |
| Function                | Total counter/time counter (selected via DIP switch)                   |  | Total counter                    |                           |
| Input mode              | Up/down (individual) (total counter), or accumulative (time counter)   |  | Up/down (individual)             |                           |
| Max. counting speeds    | 30 Hz or 5 kHz (selected via DIP switch)                               |  |                                  |                           |
| Counting range          | -99999 to 999999   |  | -9999999 to 99999999             |                           |
| Time specification      | 0.1 to 99999.9 h/1 s to 99 h 59 min 59 s                               |  | ---                              |                           |
| Timing accuracy         | ±100 ppm (-10°C to 55°C)   |  | ---                              |                           |
| Memory backup           | EEP-ROM: 200,000 operations min.                                       |  |                                  |                           |
| Input                   | Input signals  | Count 1 (increment), count 2 (decrement), reset, and key protection (see note 2)   |                                  |                           |
|                         | Input method   | No-voltage input (NPN transistor input) or voltage input (PNP transistor input) (selected via DIP switch)  |                                  |                           |
|                         | Count, start, gate, reset  | No-voltage input (NPN transistor input)<br>Short-circuit (ON) impedance: 1 K $\Omega$ max.<br>Short-circuit (ON) residual voltage: 2 VDC max.<br>Open (OFF) impedance: 100 k $\Omega$ min.<br>Voltage input (PNP transistor input)<br>Short-circuit (ON) impedance: 1 K $\Omega$ max.<br>ON voltage: 9 to 24 VDC<br>OFF voltage: 5 VDC max.<br>Open (OFF) impedance: 100 k $\Omega$ min. |                                  |                           |
|                         | Key protection   | No-voltage input (NPN transistor input)<br>Short-circuit (ON) impedance: 1 K $\Omega$ max.<br>Short-circuit (ON) residual voltage: 0.5 VDC max.<br>Open (OFF) impedance: 100 k $\Omega$ min.   |                                  |                           |
| Input response speed    | Reset  | Time counter: 20 ms; total counter: 20 ms or 1 ms (automatically switched according to counting speed)   |                                  |                           |
|                         | Start  | Time counter: 20 ms  |                                  |                           |
|                         | Key protection   | Approx. 1 s  | Approx. 1 s                      |                           |
| Reset system            | External and manual resets   |  |                                  |                           |

**Note:** 1. Contains 20% ripple (p-p) max.

2. Only a non-voltage input (NPN transistor) is possible for the key protection input. Switching between the NPN and PNP input methods does not affect the key protection input, i.e., a PNP input cannot be used.

## ■ Characteristics

|                                  |   |
|----------------------------------|---|
| <b>Insulation resistance</b>     | 100 MΩ min. (at 500 VDC)  |
| <b>Dielectric strength</b>       | 2,000 VAC, 50/60 Hz for 1 min between current-carrying terminal and exposed non-current-carrying metal parts (AC model)<br>1,000 VAC, 50/60 Hz for 1 min between current-carrying terminal and exposed non-current-carrying metal parts (DC model)<br>2,000 VAC, 50/60 Hz for 1 min between power terminals and control input terminals (AC model)<br>1,000 VAC, 50/60 Hz for 1 min between power terminals and control input terminals (DC model)  |
| <b>Impulse withstand voltage</b> | 3 kV (between power terminals) (1 kV for 12-to-24-VDC models)<br>4.5 kV (between current-carrying terminal and exposed non-current-carrying metal parts) (1.5 kV for 12-to-24-VDC models)   |
| <b>Noise immunity</b>            | ±1.5 kV (between AC power terminals), ±480 V (between DC power terminals),<br>±480 V (between input terminals);<br>square-wave noise by noise simulator (pulse width: 100 ns/1 μs, 1-ns rise)   |
| <b>Static immunity</b>           | Display: Malfunction: 8 kV<br>Destruction: 15 kV<br>DIP switch: Malfunction: 4 kV<br>Destruction: 8 kV  |
| <b>Vibration resistance</b>      | Destruction: 10 to 55 Hz with 0.75-mm single amplitude, four cycles each in three directions (8 minutes per cycle)<br>Malfunction: 10 to 55 Hz with 0.5-mm single amplitude, four cycles each in three directions (8 minutes per cycle)   |
| <b>Shock resistance</b>          | Destruction: 294 m/s <sup>2</sup> each in three directions<br>Malfunction: 196 m/s <sup>2</sup> each in three directions  |
| <b>Ambient temperature</b>       | Operating: -10°C to 55°C (with no icing)<br>Storage: -25°C to 65°C (with no icing)  |
| <b>Ambient humidity</b>          | Operating: 35% to 85%   |
| <b>EMC</b>                       | (EMI) E61326<br>Emission Enclosure: EN55011 Group 1 class A<br>Emission AC Mains: EN55011 Group 1 class A<br>(EMS) EN61326<br>Immunity ESD: EN61000-4-2: 4 kV contact discharge (level 2)<br>8 kV air discharge (level 3)<br>Immunity RF-interference: EN61000-4-3: 10 V/m (Amplitude-modulated, 80 MHz to 1 GHz) (level 3);<br>10 V/m (Pulse-modulated, 900 MHz ±5 MHz) (level 3)<br>Immunity Conducted Disturbance: EN61000-4-6: 10 V (0.15 to 80 MHz) (according to EN61000-6-2)<br>Immunity Burst: EN61000-4-4: 2 kV power-line (level 3);<br>2 kV I/O signal-line (level 4)<br>Immunity Surge: EN61000-4-5: 1 kV line to lines (power and output lines) (level 2);<br>2 kV line to ground (power and output lines) (level 3)<br>Immunity Voltage Dip/Interruption: EN61000-4-11: 0.5 cycle, 100% (rated voltage) |
| <b>Approved standards</b>        | UL508, CSA22.2 No.14, conforms to EN61010-1, VDE0106/P100   |
| <b>Case color</b>                | Rear section: Gray smoke; Front section: 5Y7/1 (light gray) or N1.5 (black)   |
| <b>Weight</b>                    | Approx. 106 g   |

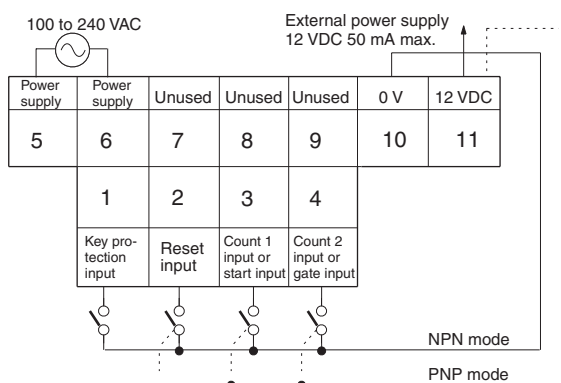
# Connections

## Terminal Arrangement

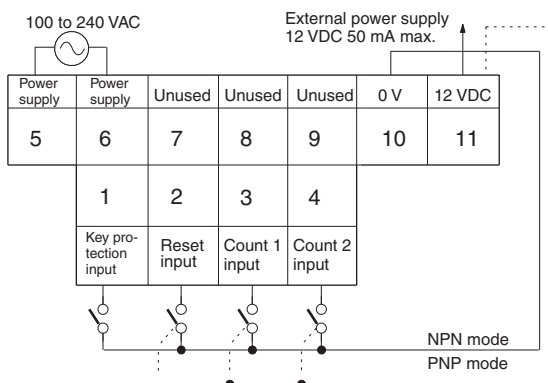
- Note:**
1. Incremented for count 1 (CP1) inputs; decremented for count 2 (CP2) inputs.
  2. Non-contact input is also available.

### AC Models

#### H7HP-A

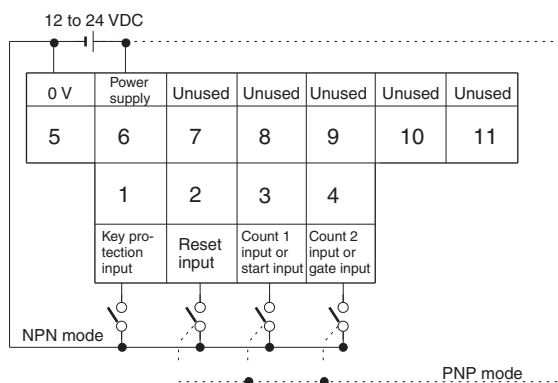


#### H7HP-C8

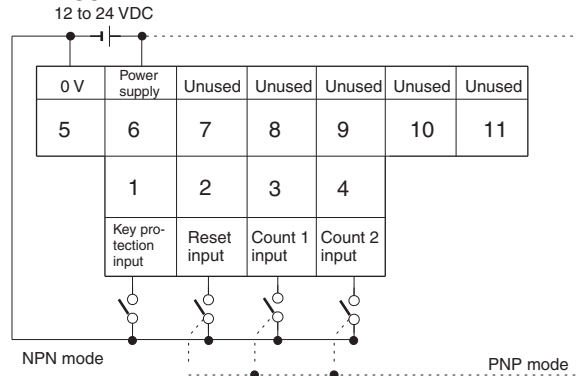


### DC Models

#### H7HP-AD



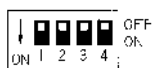
#### H7HP-C8D



# Operation

## DIP Switch Settings

Switches 1 to 4 are all set to OFF before shipping.



#### H7HP-A/-AD

| Pin no. | Item              | OFF           | ON               |
|---------|-------------------|---------------|------------------|
| 1       | Function          | Total counter | Time counter     |
| 2       | Counting speed    | 30 Hz         | 5 kHz            |
|         | Time range        | 99999.9 h     | 99 h 59 min 59 s |
| 3       | Input mode (note) | NPN           | PNP              |
| 4       | Unused            | ---           | ---              |

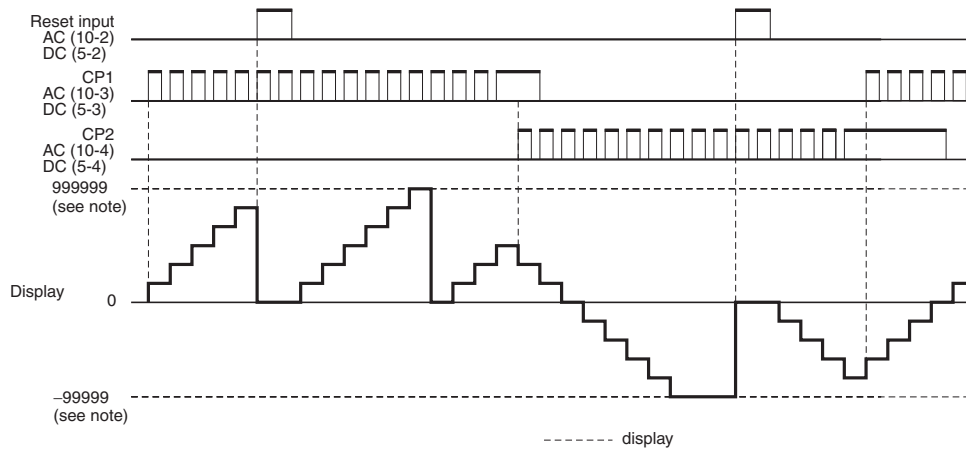
#### H7HP-C8/-C8D

| Pin no. | Item              | OFF   | ON    |
|---------|-------------------|-------|-------|
| 1       | Unused            | ---   | ---   |
| 2       | Counting speed    | 30 Hz | 5 kHz |
| 3       | Input mode (note) | NPN   | PNP   |
| 4       | Unused            | ---   | ---   |

**Note:** When the setting has been changed, turned power off and on to continue. The display will show "0" when the power is turned back on.

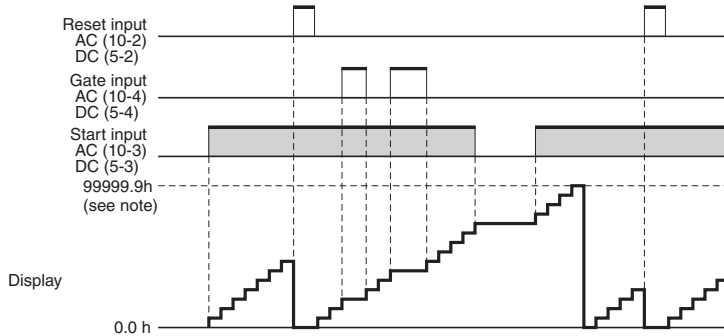
## Operating Modes

### Total Counters



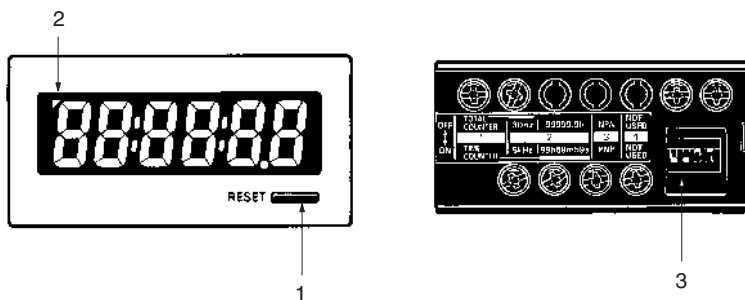
Note: Display values are shown for a 6-digit model.

### Time Counters



Note: 1. Display values are shown for full scale set to 99999.9 h.  
 2. Gate input is available only when H7HP-A settings are made.

## Nomenclature



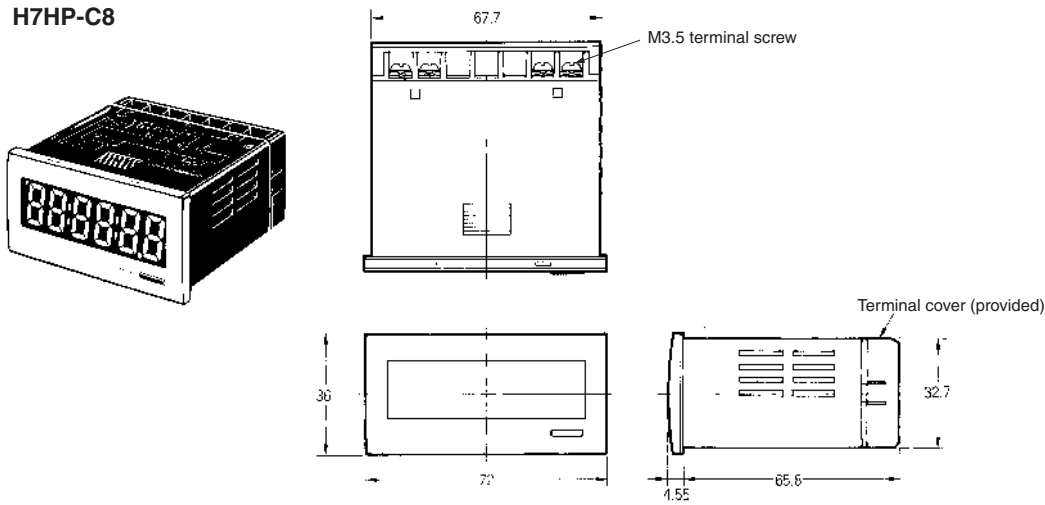
(The figure shows the DIP switch label stuck to the rear of the case.)

1. **Reset Key**  
Resets the count value, but will not operate while the keys are protected.
2. **Key Protection Indicator**  
Lit while the keys are protected (Reset Key is disabled.).
3. **DIP Switch**  
Use to change a setting. Refer to *DIP Switch Settings* for details.

# Dimensions

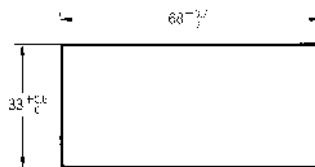
Note: All units are in millimeters unless otherwise indicated.

H7HP-A  
H7HP-C8



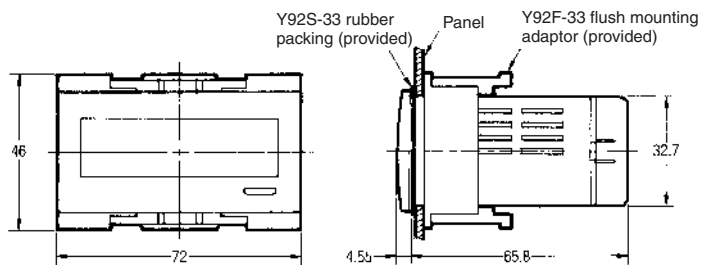
### Panel Cutouts

Panel cutouts are as shown below (according to DIN43700).



- Note: 1.** The mounting panel thickness should be 1 to 6 mm.
- 2.** Water resistance will be lost if Counters are mounted side-by-side.

### With Flush Mounting Bracket



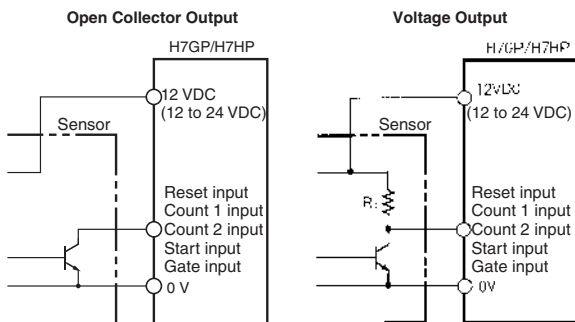
# Connections (Common)

## Input Connections

**Note:** The undermentioned is common for all H7GP/H7HP models.

### No-voltage Input (NPN Input Mode)

#### Reset, Count 1, Count 2, Start, and Gate Inputs

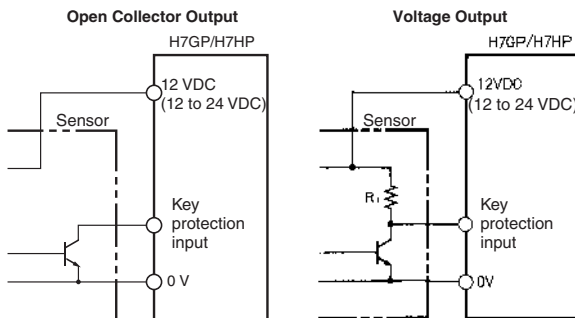


#### Reset, Count 1, Count 2, Start, and Gate Inputs Specification

Short-circuit (ON) impedance: 1 kΩ max.  
 Short-circuit (ON) residual voltage: 2 VDC max.  
 Current flow for 0-Ω short-circuit: Approx. 2 mA  
 Open (OFF) impedance: 100 kΩ min.

**Note:** Two-wired sensors cannot be used.

### Key Protection Input



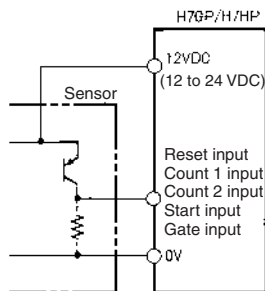
#### Key Protection Inputs Specification

Short-circuit (ON) impedance: 1 kΩ max.  
 Short-circuit (ON) residual voltage: 0.5 VDC max.  
 Current flow for 0-Ω short-circuit: Approx. 0.5 mA  
 Open (OFF) impedance: 100 kΩ min.

**Note:** Two-wired sensors cannot be used.

### Voltage Input (PNP Input Mode)

#### Reset, Count 1, Count 2, Start, and Gate Inputs



#### Reset, Count 1, Count 2, Start, and Gate Inputs Specification

Short-circuit (ON) impedance: 1 kΩ max.  
 ON voltage: 9 to 24 VDC  
 OFF voltage: 5 VDC max.  
 Open (OFF) impedance: 100 kΩ min.

**Note:** Two-wired sensors cannot be used.

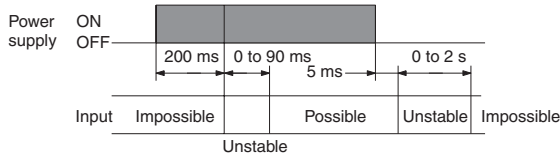
# Precautions (Common)

**Note:** The undermentioned is common for all H7GP/H7HP models.

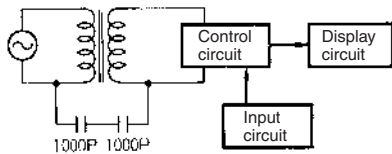
## Power Supplies

When turning the power ON and OFF, input signal reception is possible, unstable, or impossible as shown in the diagram below.

Apply the power supply voltage through a relay or switch in such a way that the voltage reaches a fixed value immediately.



Although the H7GP/H7HP power supply (primary side) is isolated from control circuits (secondary side) by a transformer, the primary and secondary sides of the transformer are linked by a capacitor, making it possible for high-frequency components to leak to the secondary side. Take adequate precautions against electrical shock. Do not connect input circuits to exposed parts (such as the machine body) and be sure that the power supply is turned off before wiring.



## Self-diagnostic Function

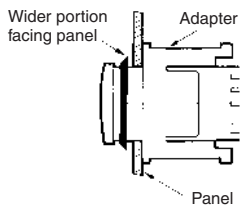
The following displays will appear if an error occurs.

| Display | Error   | Correction                                  |
|---------|---|---|
| ----    | -99999 max.<br>(H7HP, 6-digit model)<br>-99999999 max.<br>(H7HP, 8-digit model) | Press RST Key or reset input                |
| E1      | CPU   | Press RST Key or turn power OFF and then ON |
| E2      | Memory  |   |

## Flush Mounting

The panel surface is water-resistant (conforming to NEMA 4 and IP66). In order to prevent the internal circuit from water penetration through the space between the counter and operating panel, attach a rubber packing between the counter and operating panel and secure the rubber packing with the Y92F-3□ flush-mounting adaptor.

Be sure the rubber packing is installed in the correct direction. The wider portion must be facing the panel when installed, as shown in the following illustration. Using a flat-head screwdriver, press in the Mounting Adapter until it cannot be pressed in any further in order to ensure water-resistant performance.



## Other

Water resistance may deteriorate depending on the environment. Periodically check water resistance.

Oil resistance is not applicable to all types of oil. Be sure to test any specific oils before actual application.

## Labels

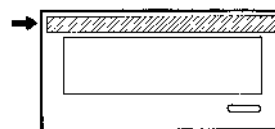
Unit labels are included with the H7GP/H7HP and DIP switch labels are included with the H7HP. Attach these labels as shown in the following illustrations.

### Unit Labels

#### H7GP



#### H7HP



### DIP Switch Labels

#### H7HP



## Accessories

The accessories listed in the following table are included with the H7GP/H7HP. Be sure you understand the use of these accessories and use them correctly.

| Name                   | H7GP    | H7HP    |
|------------------------|---------|---------|
| Rubber packing         | Y92S-32 | Y92S-33 |
| Flush mounting adaptor | Y92F-32 | Y92F-33 |





**Degree of Protection**


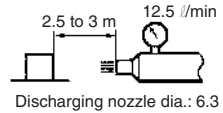
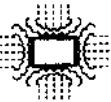
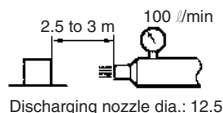
**IP - 6 6 G**

- Protection Specification Code (International Protection) (IEC529)
- Protection against solid foreign objects
- Protection against harmful ingress of water
- Japan Electrical Manufacturers Association's standards (JEM1030)
- Protection against oil

**Protection Against Solid Foreign Objects**

| Grade | Protection  | Criteria  |
|-------|---|---|
| 5     | Dust protected<br> | Limited ingress of dust permitted (no harmful deposit). |
| 6     | Dust-tight<br>     | Totally protected against ingress of dust.              |

**Protection Against Harmful Ingress of Water**

| Grade | Protection  | Criteria   | Examination method  |
|-------|---|--|---|
| 5     | Housing jets from all directions<br>        | Protected against low-pressure jets of water from all directions; limited ingress permitted.   | Spray water from all directions for one minute per m2 of external surface area and for a total time of no less than 3 minutes using the test device shown below.<br>  |
| 6     | Strong hosing jets from all directions<br> | Protected against strong jets of water, e.g. for use on ship-decks; limited ingress permitted. | Spray water from all directions for one minute per m2 of external surface area and for a total time of no less than 3 minutes using the test device shown below.<br> |

**JEM Standards**

**Protection Against Oil**

| Grade | Protection    | Criteria   | Criteria   |
|-------|---------------|--|--|
| F     | Oilproof      | Protected against improper operation due to oil drops or spray from any direction. | No penetration of oil to the extent of interfering with proper operation after dropping the specified cutting oil on a test device for 48 hours at a rate of 0.5 ℓ per hour. |
| G     | Oil resistant | Protected against penetration of oil drops or spray from any direction.            | No penetration of oil after dropping the specified cutting oil on a test device for 48 hours at a rate of 0.5 ℓ per hour.  |

Компания «Life Electronics» занимается поставками электронных компонентов импортного и отечественного производства от производителей и со складов крупных дистрибьюторов Европы, Америки и Азии.

С конца 2013 года компания активно расширяет линейку поставок компонентов по направлению коаксиальный кабель, кварцевые генераторы и конденсаторы (керамические, пленочные, электролитические), за счёт заключения дистрибьюторских договоров

Мы предлагаем:

- Конкуренспособные цены и скидки постоянным клиентам.
- Специальные условия для постоянных клиентов.
- Подбор аналогов.
- Поставку компонентов в любых объемах, удовлетворяющих вашим потребностям.
- Приемлемые сроки поставки, возможна ускоренная поставка.
- Доставку товара в любую точку России и стран СНГ.
- Комплексную поставку.
- Работу по проектам и поставку образцов.
- Формирование склада под заказчика.
- Сертификаты соответствия на поставляемую продукцию (по желанию клиента).
- Тестирование поставляемой продукции.
- Поставку компонентов, требующих военную и космическую приемку.
- Входной контроль качества.
- Наличие сертификата ISO.

В составе нашей компании организован Конструкторский отдел, призванный помогать разработчикам, и инженерам.

Конструкторский отдел помогает осуществить:

- Регистрацию проекта у производителя компонентов.
- Техническую поддержку проекта.
- Защиту от снятия компонента с производства.
- Оценку стоимости проекта по компонентам.
- Изготовление тестовой платы монтаж и пусконаладочные работы.



Тел: +7 (812) 336 43 04 (многоканальный)  
Email: [org@lifeelectronics.ru](mailto:org@lifeelectronics.ru)