



## Main

|                             |  |
|-----------------------------|--|
| Range of product            | Phaseo Dedicated   |
| Product or component type   | Power supply   |
| Power supply type           | Regulated switch mode  |
| Rated power in W            | 60 W   |
| Input voltage               | 100...240 V AC single phase<br>120...370 V DC  |
| Output voltage              | 12 V DC  |
| Power supply output current | 5 A  |
| Operating position          | Any position   |
| Vibration resistance        | 2 gn (f = 9...150 Hz) conforming to EN/IEC 61131-2<br>3.5 mm (f = 5...9 Hz) conforming to EN/IEC 61131-2   |
| Name of test                | Conducted interference conforming to EN 61000-4-8 level 4<br>Conducted/radiated emissions conforming to EN 55022 Class B<br>Conducted/radiated emissions conforming to EN/IEC 55011<br>Electrostatic discharges conforming to EN/IEC 61000-4-2 level 3<br>Emission conforming to EN/IEC 61000-6-3<br>Induced electromagnetic field conforming to EN/IEC 61000-4-6 level 3<br>Primary outage conforming to IEC 61000-4-11<br>Radiated electromagnetic field conforming to EN/IEC 61000-4-3 level 3<br>Rapid transient conforming to IEC 61000-4-4 level 3<br>Surge conforming to EN/IEC 61000-4-5 |

## Complementary

|                          |  |
|--------------------------|--|
| Input voltage limits     | 85...264 V   |
| Network frequency        | 47...63 Hz   |
| Inrush current           | <= 50 Aat 115 V AC<br><= 100 Aat 230 V AC  |
| Cos phi                  | 0.65   |
| Efficiency               | > 80 %   |
| Power dissipation in W   | 15 W   |
| Current consumption      | 1 Aat 240 V<br>2 Aat 100 V   |
| Input protection type    | Integrated fuse (not interchangeable)  |
| Output voltage limits    | 10.8...13.2 V  |
| Line and load regulation | +/- 3 %  |
| Holding time             | >= 10 ms at 100 V<br>>= 40 ms at 240 V   |
| Output protection type   | Against overload, protection technology: 1.1...1.5 x In<br>Against overvoltage, protection technology: tripping if U > 1.25 x Un<br>Against short-circuits, protection technology: automatic reset<br>Thermal  |
| Connections - terminals  | Screw type terminals ground connection, connection capacity: 1 x 4 mm <sup>2</sup> AWG 12<br>Screw type terminals input connection, connection capacity: 2 x 4 mm <sup>2</sup> AWG 12<br>Screw type terminals output connection, connection capacity: 2 x 4 mm <sup>2</sup> AWG 12 |
| Marking                  | CE   |
| Mounting support         | Panel<br>Reversible mounting bracket   |
| Operating altitude       | 6561.68 ft (2000 m)  |
| Output coupling          | Parallel   |

The information provided in this documentation contains general descriptions and/or technical characteristics of the products contained herein. This documentation is not intended as a substitute for and is not to be used for determining suitability or reliability of these products for specific user applications. It is the duty of any such user or integrator to perform the appropriate and complete risk analysis, evaluation and testing of the products with respect to the relevant specific application or use thereof. Neither Schneider Electric Industries SAS nor any of its affiliates or subsidiaries shall be responsible or liable for misuse of the information contained herein.

|                                 |                             |
|---------------------------------|-----------------------------|
|                                 | Series                      |
| Overvoltage category            | II                          |
| Meantime between failure [MTBF] | > 100000 hat 104 °F (40 °C) |
| Status LED                      | 1 LED green output voltage  |
| Product weight                  | 0.97 lb(US) (0.44 kg)       |

## Environment

|                                       |  |
|---------------------------------------|--|
| product certifications                | CCSAus<br>CSA 22-2 No 60950-1<br>TUV 60950-1<br>UL 508<br>RCM<br>EAC<br>KC   |
| environmental characteristic          | EMC conforming to EN 50081-1<br>EMC conforming to EN 50082-2<br>EMC conforming to EN 61000-6-3<br>EMC conforming to EN/IEC 61000-6-2<br>Safety conforming to EN/IEC 60950-1<br>Safety conforming to SELV |
| IP degree of protection               | IP20 conforming to EN/IEC 60950  |
| ambient air temperature for operation | 32...113 °F (0...45 °C) without derating factor<br>113...140 °F (45...60 °C) with derating factor  |
| ambient air temperature for storage   | -13...185 °F (-25...85 °C)   |
| relative humidity                     | 20...90 %  |
| overvoltage category                  | Class I conforming to VDE 0106-1   |
| pollution degree                      | 2  |
| dielectric strength                   | 1500 V between input and ground<br>3000 V between input and output<br>500 V between output and ground  |

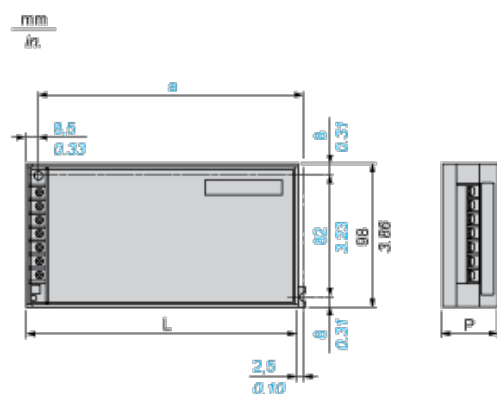
## Offer Sustainability

|  |  |
|--|--|
| WARNING: This product can expose you to chemicals including:   | WARNING: This product can expose you to chemicals including:   |
| Lead and lead compounds, which is known to the State of California to cause cancer and birth defects or other reproductive harm. | Lead and lead compounds, which is known to the State of California to cause cancer and birth defects or other reproductive harm. |
| For more information go to <a href="http://www.p65warnings.ca.gov">www.p65warnings.ca.gov</a>                                    | For more information go to <a href="http://www.p65warnings.ca.gov">www.p65warnings.ca.gov</a>                                    |

## Contractual warranty

|                 |           |
|-----------------|-----------|
| Warranty period | 18 months |
|-----------------|-----------|

## Dimensions



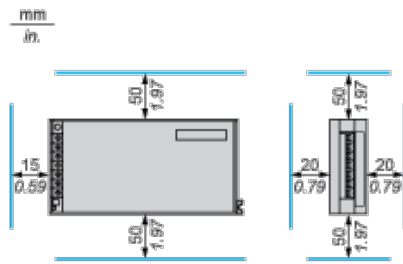
Dimensions in mm

| a   | L   | P  |
|-----|-----|----|
| 144 | 150 | 38 |

Dimensions in in.

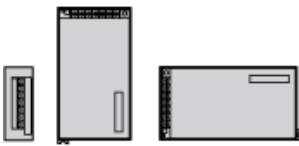
| a    | L    | P    |
|------|------|------|
| 5.67 | 5.91 | 1.50 |

## Clearance



## Mounting Way

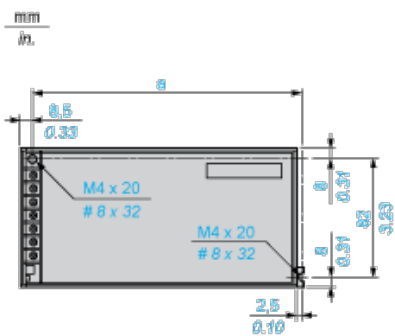
### Mounting on Vertical Plane



### Mounting on Horizontal Plane



## Direct Mounting by 2 M4 x 20 Screws



Dimensions in mm

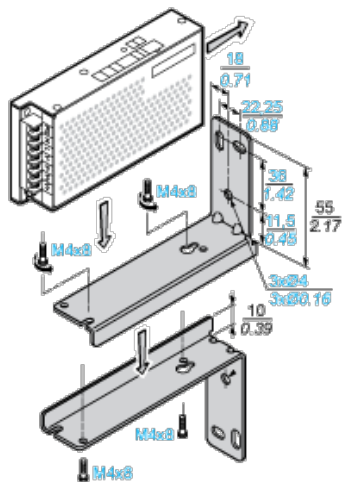
|     |
|-----|
| a   |
| 144 |

Dimensions in in

|      |
|------|
| a    |
| 5.67 |

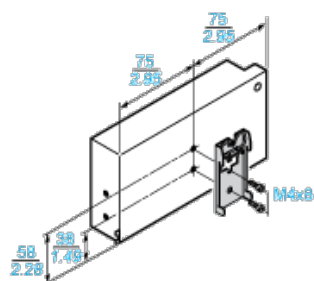
## Mounting on the Back on ABL 1A01 Reversible Bracket by Three 4 mm Diameter Screws

mm  
in.

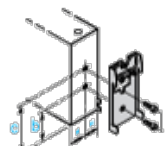


### Mounting on ABL 1A02 Clip-on Mounting on 35 mm Rail

mm  
in.



### Mounting by the Back



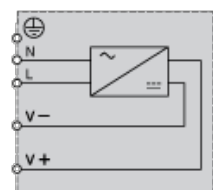
Dimensions in mm

| b  | c  |
|----|----|
| 38 | 58 |

Dimensions in in.

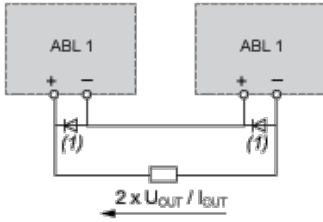
| b    | c    |
|------|------|
| 1.50 | 2.28 |

### Internal Wiring Diagram

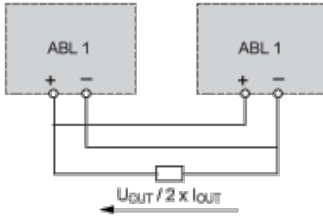


### Series or Parallel Connection

### Series Connection



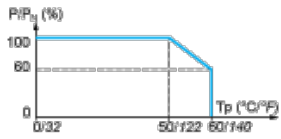
### Parallel Connection



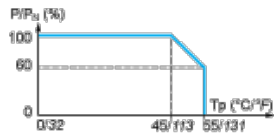
(1) 8 A/100 V Shottky diode

### Derating Curves

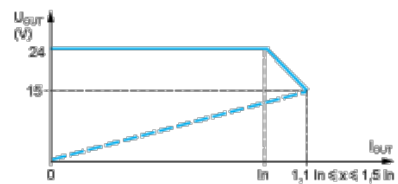
#### Mounting on Vertical Plane



#### Mounting on Horizontal Plane



### Load Limits Curve



Компания «Life Electronics» занимается поставками электронных компонентов импортного и отечественного производства от производителей и со складов крупных дистрибьюторов Европы, Америки и Азии.

С конца 2013 года компания активно расширяет линейку поставок компонентов по направлению коаксиальный кабель, кварцевые генераторы и конденсаторы (керамические, пленочные, электролитические), за счёт заключения дистрибьюторских договоров

Мы предлагаем:

- Конкурентоспособные цены и скидки постоянным клиентам.
- Специальные условия для постоянных клиентов.
- Подбор аналогов.
- Поставку компонентов в любых объемах, удовлетворяющих вашим потребностям.
- Приемлемые сроки поставки, возможна ускоренная поставка.
- Доставку товара в любую точку России и стран СНГ.
- Комплексную поставку.
- Работу по проектам и поставку образцов.
- Формирование склада под заказчика.
- Сертификаты соответствия на поставляемую продукцию (по желанию клиента).
- Тестирование поставляемой продукции.
- Поставку компонентов, требующих военную и космическую приемку.
- Входной контроль качества.
- Наличие сертификата ISO.

В составе нашей компании организован Конструкторский отдел, призванный помогать разработчикам, и инженерам.

Конструкторский отдел помогает осуществить:

- Регистрацию проекта у производителя компонентов.
- Техническую поддержку проекта.
- Защиту от снятия компонента с производства.
- Оценку стоимости проекта по компонентам.
- Изготовление тестовой платы монтаж и пусконаладочные работы.



Тел: +7 (812) 336 43 04 (многоканальный)

Email: [org@lifeelectronics.ru](mailto:org@lifeelectronics.ru)