

THIS DRAWING IS UNPUBLISHED. RELEASED FOR PUBLICATION - . - . ALL RIGHTS RESERVED.

REVISIONS				
P	LTR	DESCRIPTION	DATE	APVD
	T5	PART STATUS UPDATED	22JAN2018	RK PS

PHYSICAL PROPERTIES:
 HOUSING MATERIAL: PBT
 FLAMMABILITY: UL94V-0
 COLOR: BLACK
 MAX BOW/WARP: .0056 IN/IN.

MECHANICAL:
 PITCH (TERMINAL SPACING): .563"
 WIRE RANGE: 10-22 AWG
 RECOMMENDED TIGHTENING TORQUE: 14IN-LBS MAX.

TERMINAL:
 TERMINALS: BRASS, TIN PLATED. (UNLESS OTHERWISE STATED)
 SCREWS: 8-32 STEEL, NICKEL PLATED. (UNLESS OTHERWISE STATED)
 Q.C. TABS: BRASS, NICKEL PLATED.

ELECTRICAL PROPERTIES:
 MAXIMUM CURRENT: 30A
 OPERATING VOLTAGE: 300V

ENVIRONMENTAL PROPERTIES:
 OPERATING TEMP RANGE: -40°C TO 120°C

- △ STAINLESS STEEL SCREWS.
- △ WHITE INK STAMP.
- △ NICKEL PLATED BRASS TERMINALS.
- △ NICKEL PLATED BRASS SCREWS.
- △ SEE FIGURE.
- △ PRELIMINARY PART NUMBER.
- △ OBSOLETE PART NUMBER.
- △ TE CONNECTIVITY LOGO LOCATED APPROXIMATE AREA SHOWN.

Symbol	1	2	3	4	5	6	7	8	9	10	11	12	13	14	15		
△5	-	-	-	-	-	-	-	-	-	-	-	-	7.886	8.323	13	1-1546310-3	
△2/7	-	-	-	-	-	-	-	-	-	-	12	12	12	7.323	7.760	12	4-1546310-8
△	-	8	-	-	-	-	12	12	12	-	-	-	7.323	7.760	12	4-1546310-7	
△	-	-	-	-	-	12	12	12	-	-	-	-	7.323	7.760	12	4-1546310-6	
△	-	-	-	-	-	-	-	-	-	-	-	-	7.323	7.760	12	1-1546310-2	
△	-	-	-	-	-	-	-	-	-	-	-	-	6.760	7.179	11	1-1546310-1	
△	-	-	-	-	-	-	-	-	-	-	-	-	6.197	6.634	10	1-1546310-0	
△	-	-	-	-	-	-	-	-	-	-	-	-	5.634	6.071	9	1546310-9	
△4/7	-	-	-	-	-	-	-	-	-	-	-	-	8	5.071	5.508	8	4-1546310-5
△	-	8	8	-	-	-	-	-	-	-	-	-	5.071	5.508	8	2-1546310-9	
△	-	-	-	-	-	-	-	-	-	-	-	-	5.071	5.508	8	1546310-8	
△	-	-	-	-	-	-	-	7	-	-	-	-	4.508	4.945	7	3-1546310-8	
△	-	-	-	-	-	-	-	-	-	-	-	-	4.508	4.945	7	1546310-7	
△4/7	-	-	-	-	-	-	-	-	-	-	-	-	6	3.945	4.382	6	4-1546310-4
△	-	-	-	-	-	-	-	-	-	-	-	-	6	3.945	4.382	6	4-1546310-3
△	-	-	-	-	-	-	-	-	-	-	-	-	6	3.945	4.382	6	4-1546310-2
△5/3/2/1/7	-	-	-	-	-	-	-	-	-	-	-	-	6	3.945	4.382	6	3-1546310-1
△	-	-	-	-	-	-	6	-	-	-	-	-	6	3.945	4.382	6	3-1546310-0
△	-	6	6	-	-	-	-	-	-	-	-	-	6	3.945	4.382	6	2-1546310-8
△5/4/3/7	-	1	1	-	-	-	5	1	-	-	-	-	6	3.945	4.382	6	2-1546310-6
△	-	-	-	-	-	-	-	-	6	-	-	-	6	3.945	4.382	6	2-1546310-3
△	-	-	-	-	-	-	-	-	-	6	-	-	6	3.945	4.382	6	2-1546310-2
△	-	-	-	-	-	-	-	-	-	-	6	-	6	3.945	4.382	6	2-1546310-1
△5/2/7	-	-	-	-	-	-	-	-	-	-	6	6	-	3.945	4.382	6	1546636-1
△6/1	-	-	-	-	6	-	-	-	-	6	-	-	-	3.945	4.382	6	1-1546310-9
△	-	-	-	-	6	-	-	-	-	-	-	-	-	3.945	4.382	6	1546589-1
△	-	-	-	-	-	-	-	-	-	-	-	-	-	3.945	4.382	6	1546310-6
△	-	-	-	-	-	-	5	-	-	-	-	-	-	3.382	3.819	5	3-1546310-7
△5/4/3/7	-	1	1	-	-	-	-	-	-	-	1	-	5	3.382	3.819	5	2-1546310-7
△	-	-	-	-	-	-	-	-	-	-	-	-	-	3.382	3.819	5	1546310-5
△2/6	-	-	-	-	-	-	-	-	-	4	4	4	-	2.819	3.256	4	5-1546310-0
△5/4/3/2/7	-	-	-	-	-	-	-	-	-	-	-	-	-	2.819	3.256	4	4-1546310-1
△	-	-	-	-	-	-	-	-	-	-	-	-	-	2.819	3.256	4	4-1546310-0
△5/3/2/1/7	-	-	-	-	-	-	-	-	-	-	-	-	-	2.819	3.256	4	3-1546310-9
△	-	-	-	-	-	-	-	-	-	-	-	-	-	2.819	3.256	4	1546310-4
△4/3/7	-	-	-	-	-	-	-	-	-	-	-	-	-	2.256	2.693	3	2-1546310-5
△5/1/7	-	-	-	-	-	-	-	-	-	3	1	-	-	2.256	2.693	3	2-1546310-4
△6/5/1	-	-	-	1	2	-	-	-	-	1	-	-	-	2.256	2.693	3	2-1546310-0
△	-	-	-	-	-	-	-	-	-	-	-	-	-	2.256	2.693	3	1546310-3
△	-	-	-	-	-	-	-	-	-	2	-	-	-	1.693	2.130	2	5-1546310-1
△	-	-	-	-	-	-	-	-	-	-	-	-	-	1.693	2.130	2	1546310-2

NOTES	9	OTB JUMPER	8	.250 QC TAB 90° DOUBLE SIDE	7	.250 QC TAB 90°/45° DOUBLE SIDE	6	.250 QC TAB 90° DOUBLE SIDE	5	.250 QC TAB 45° DOUBLE SIDE	4	.250 QC TAB STRAIGHT DOUBLE SIDE	3	.250 QC TAB 90° SINGLE SIDE	2	.250 QC TAB 45° SINGLE SIDE	1	.250 QC TAB STRAIGHT SINGLE SIDE	DIM B	DIM A	NO. OF POSN	PART NUMBER
-------	---	------------	---	-----------------------------	---	---------------------------------	---	-----------------------------	---	-----------------------------	---	----------------------------------	---	-----------------------------	---	-----------------------------	---	----------------------------------	-------	-------	-------------	-------------

THIS DRAWING IS A CONTROLLED DOCUMENT.

DWN 16FEB2007
 S SCHLEGEL
 CHK 2/16/07
 S YODER
 APVD 2/16/07
 S YODER
 PRODUCT SPEC
 APPLICATION SPEC

STE TE Connectivity Ltd.

NAME 14.3 (.563) DBL ROW BARRIER STRIP W/O WASHER

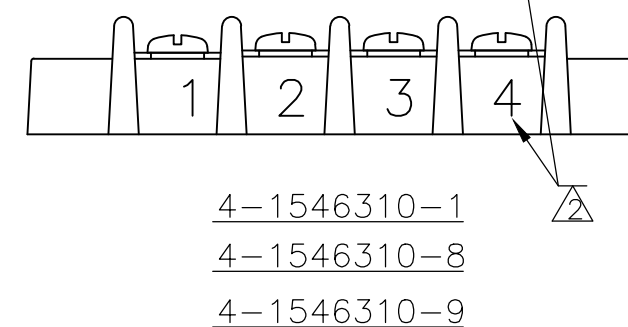
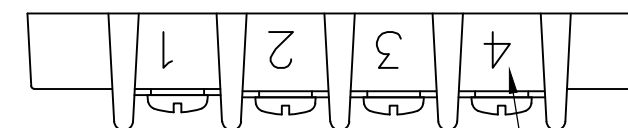
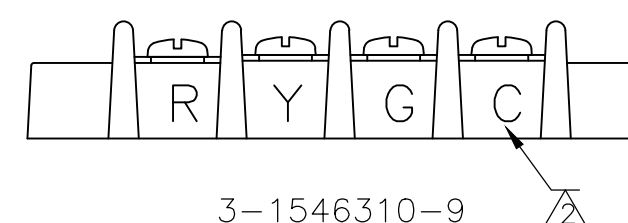
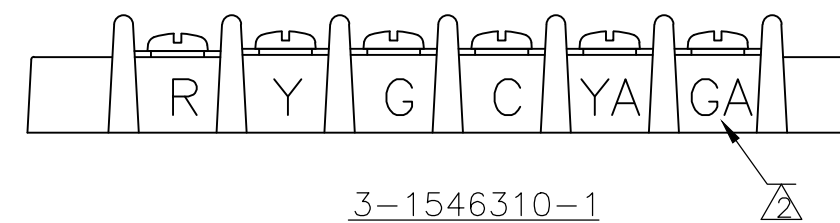
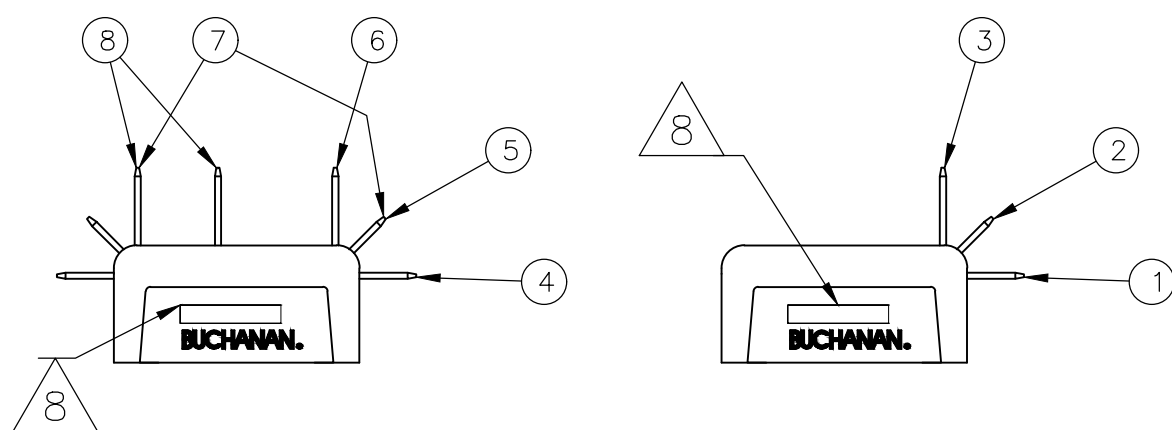
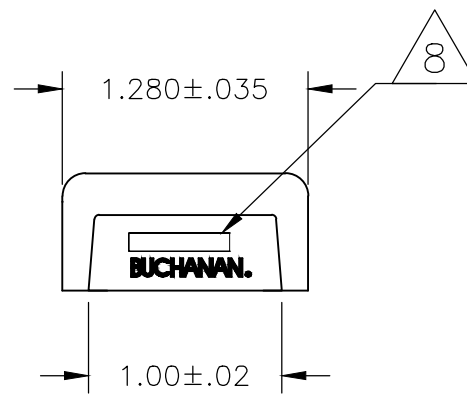
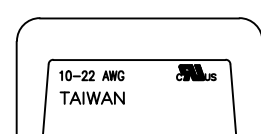
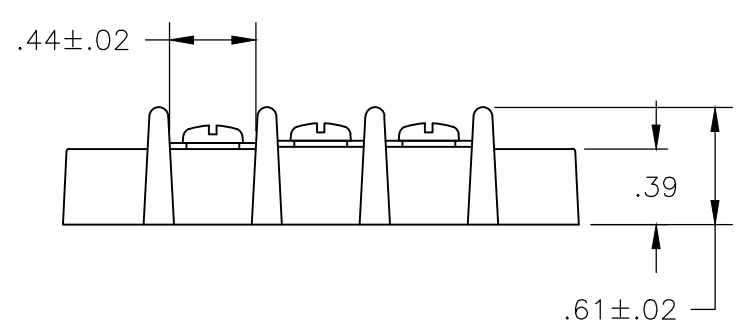
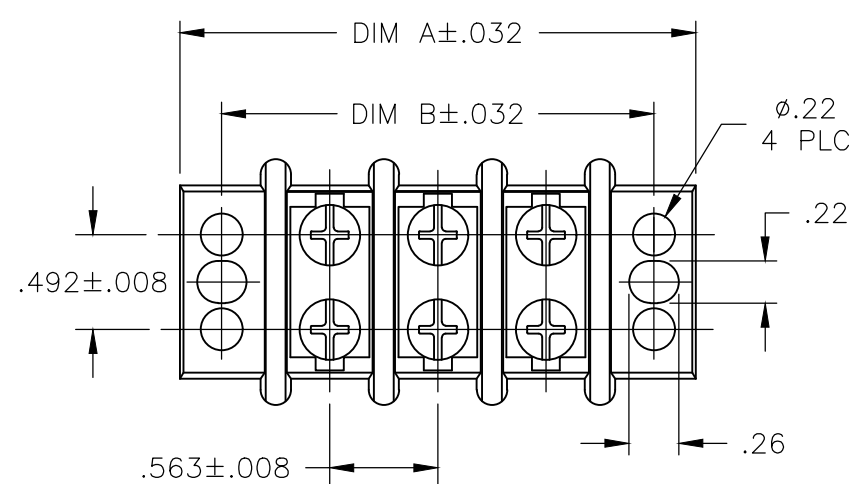
SIZE A2 CAGE CODE 00779 DRAWING NO C=1546310 RESTRICTED TO -

MATERIAL - FINISH - WEIGHT - SCALE NTS SHEET 1 OF 4 REV T5

CUSTOMER DRAWING

THIS DRAWING IS UNPUBLISHED. RELEASED FOR PUBLICATION
 © COPYRIGHT - By - ALL RIGHTS RESERVED.

REVISIONS				
P	LTR	DESCRIPTION	DATE	APVD
-	-	SEE SHEET 1	-	-



REV	DESCRIPTION	DATE	BY	CHKD	APVD	QTY	POSN	NO. OF POSN	DIM B	DIM A	PART NUMBER
2						2		14	1.693	2.130	5-1546310-1
									10.701	11.138	1-1546310-8
									10.138	10.575	1-1546310-7
									9.575	10.012	1-1546310-6
									9.012	9.449	1-1546310-5
6								14	8.449	8.886	4-1546310-9
									8.449	8.886	1-1546310-4
NOTES: 9 OTB JUMPER, 8 .250 QC TAB 90° DOUBLE SIDE, 7 .250 QC TAB 90°/45° DOUBLE SIDE, 6 .250 QC TAB 90° DOUBLE SIDE, 5 .250 QC TAB 45° DOUBLE SIDE, 4 .250 QC TAB STRAIGHT DOUBLE SIDE, 3 .250 QC TAB 90° SINGLE SIDE, 2 .250 QC TAB 45° SINGLE SIDE, 1 .250 QC TAB STRAIGHT SINGLE SIDE.											

THIS DRAWING IS A CONTROLLED DOCUMENT.

DWN	S SCHLEGEL	16FEB2007
CHK	S YODER	2/16/07
APVD	S YODER	2/16/07
PRODUCT SPEC	-	
APPLICATION SPEC	-	
WEIGHT	-	
CUSTOMER DRAWING		

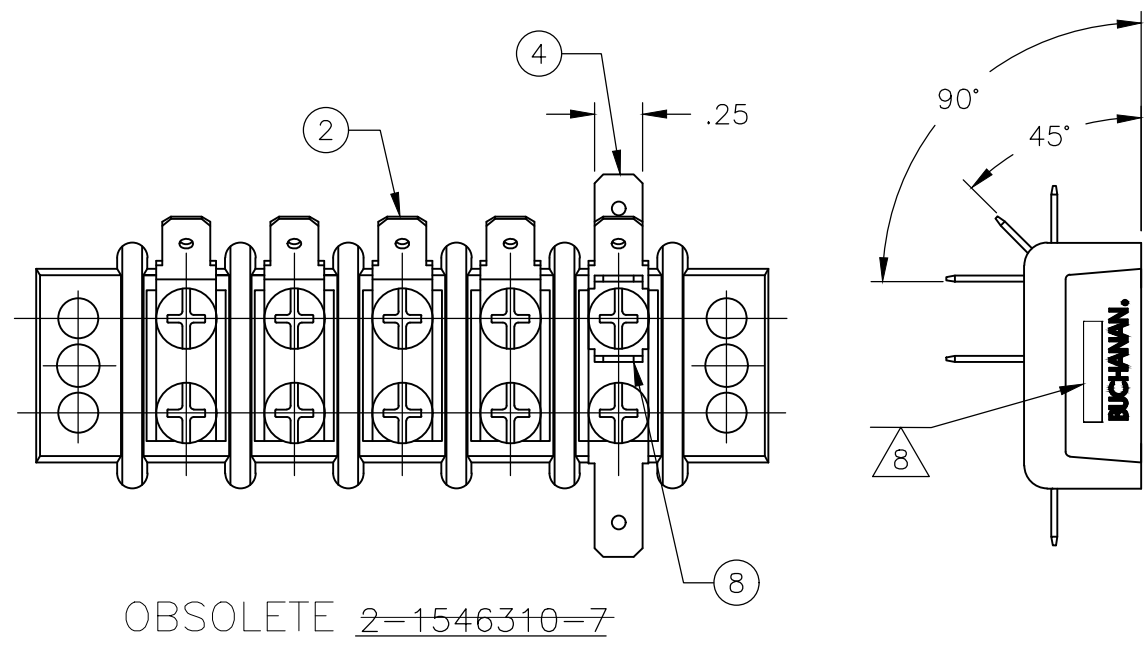
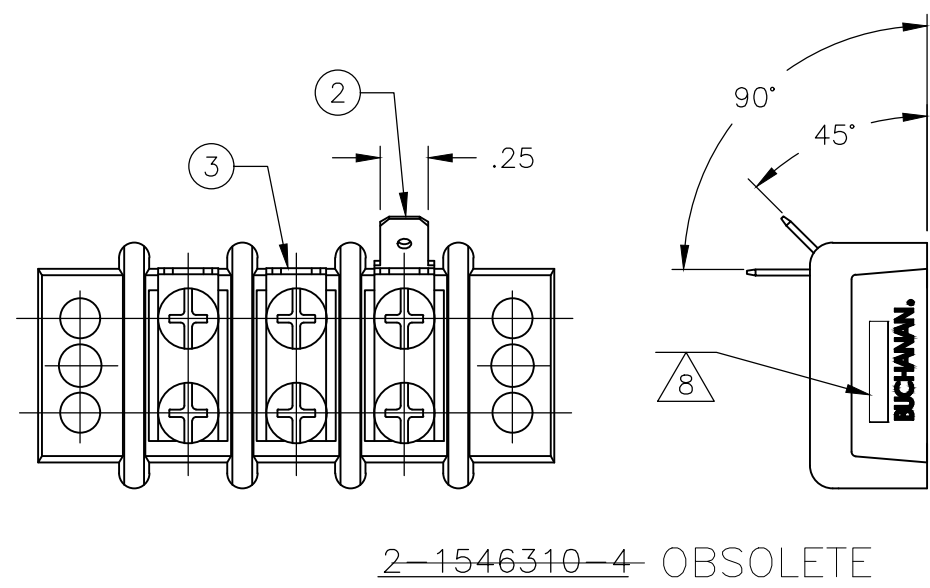
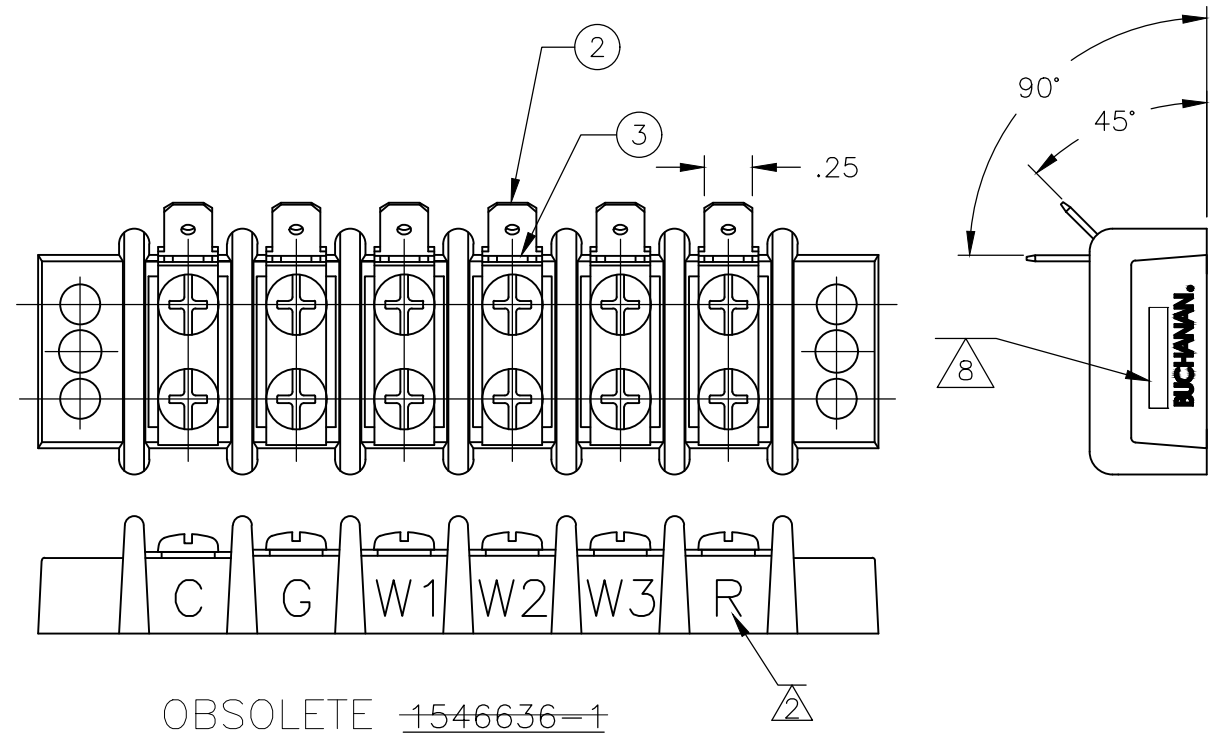
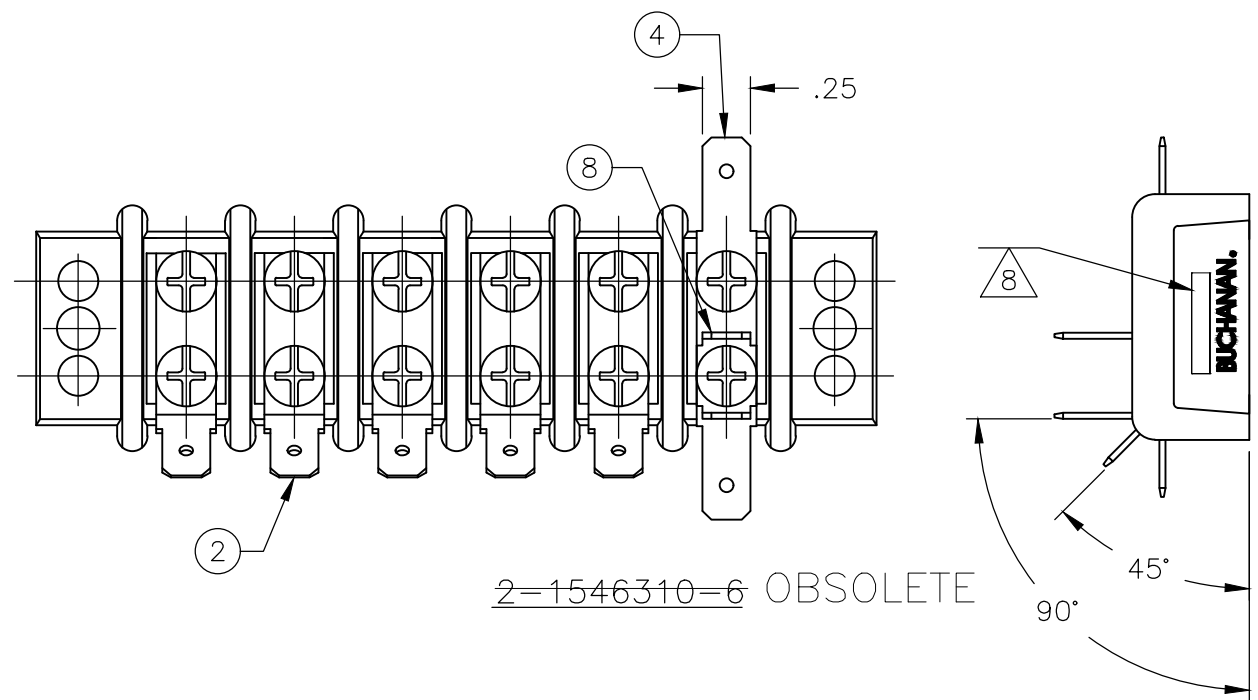
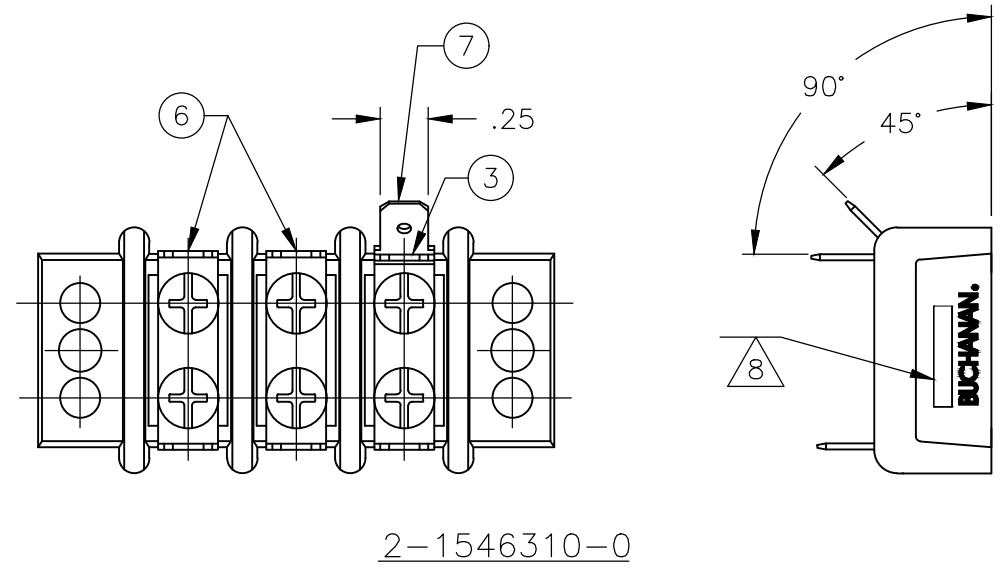
TE Connectivity Ltd.

14.3 (.563) DBL ROW BARRIER STRIP W/O WASHER

SCALE: NTS SHEET: 2 OF 4 REV: T5

THIS DRAWING IS UNPUBLISHED. RELEASED FOR PUBLICATION
 © COPYRIGHT - By - ALL RIGHTS RESERVED.

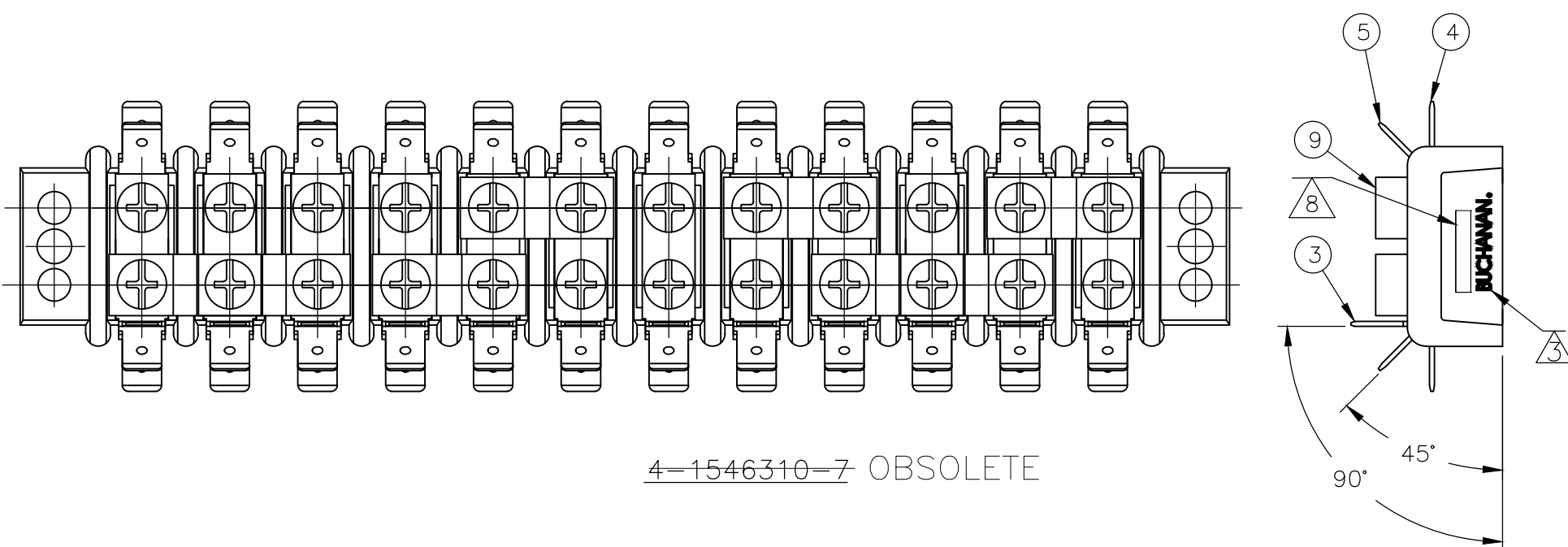
REVISIONS					
P	LTR	DESCRIPTION	DATE	DWN	APVD
-	-	SEE SHEET 1	-	-	-



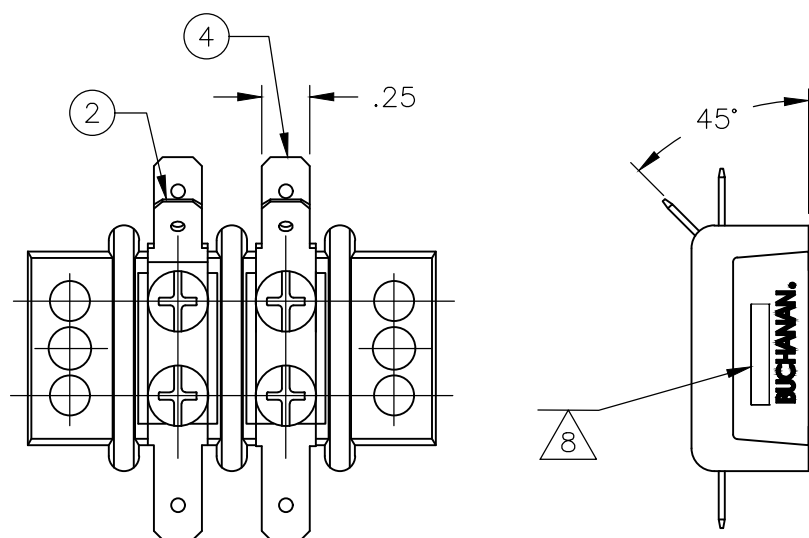
THIS DRAWING IS A CONTROLLED DOCUMENT.		DWN S SCHLEGEL 16FEB2007	TE Connectivity Ltd.																			
DIMENSIONS: INCHES		CHK S YODER 2/16/07																				
TOLERANCES UNLESS OTHERWISE SPECIFIED:		APVD S YODER 2/16/07	NAME 14.3 (.563) DBL ROW BARRIER STRIP W/O WASHER																			
<table border="0"> <tr><td>0 PLC</td><td>±</td><td>-</td></tr> <tr><td>1 PLC</td><td>±</td><td>-</td></tr> <tr><td>2 PLC</td><td>±</td><td>-</td></tr> <tr><td>3 PLC</td><td>±</td><td>-</td></tr> <tr><td>4 PLC</td><td>±</td><td>-</td></tr> <tr><td>ANGLES</td><td>±</td><td>-</td></tr> </table>		0 PLC	±	-	1 PLC	±	-	2 PLC	±	-	3 PLC	±	-	4 PLC	±	-	ANGLES	±	-	PRODUCT SPEC -	SIZE A2	CAGE CODE 00779
0 PLC	±	-																				
1 PLC	±	-																				
2 PLC	±	-																				
3 PLC	±	-																				
4 PLC	±	-																				
ANGLES	±	-																				
MATERIAL -		FINISH -	DRAWING NO C=1546310	RESTRICTED TO -																		
CUSTOMER DRAWING			SCALE NTS	SHEET 3 OF 4																		
			REV T5																			

THIS DRAWING IS UNPUBLISHED. RELEASED FOR PUBLICATION
 © COPYRIGHT - By - ALL RIGHTS RESERVED.

REVISIONS				
P	LTR	DESCRIPTION	DATE	APVD
-	-	SEE SHEET 1	-	-



4-1546310-7 OBSOLETE



5-1546310-1

THIS DRAWING IS A CONTROLLED DOCUMENT.		DWN S SCHLEGEL 16FEB2007	TE Connectivity Ltd.																			
DIMENSIONS: INCHES		CHK S YODER 2/16/07																				
TOLERANCES UNLESS OTHERWISE SPECIFIED:		APVD S YODER 2/16/07	NAME 14.3 (.563) DBL ROW BARRIER STRIP W/O WASHER																			
<table border="0"> <tr><td>0 PLC</td><td>±</td><td>-</td></tr> <tr><td>1 PLC</td><td>±</td><td>-</td></tr> <tr><td>2 PLC</td><td>±</td><td>-</td></tr> <tr><td>3 PLC</td><td>±</td><td>-</td></tr> <tr><td>4 PLC</td><td>±</td><td>-</td></tr> <tr><td>ANGLES</td><td>±</td><td>-</td></tr> </table>		0 PLC	±	-	1 PLC	±	-	2 PLC	±	-	3 PLC	±	-	4 PLC	±	-	ANGLES	±	-	PRODUCT SPEC -	SIZE A2	
0 PLC	±	-																				
1 PLC	±	-																				
2 PLC	±	-																				
3 PLC	±	-																				
4 PLC	±	-																				
ANGLES	±	-																				
MATERIAL -		FINISH -	APPLICATION SPEC -	CAGE CODE 00779																		
		WEIGHT -	DRAWING NO C=1546310	RESTRICTED TO -																		
CUSTOMER DRAWING			SCALE NTS	SHEET 4 OF 4																		
			REV T5																			

Компания «Life Electronics» занимается поставками электронных компонентов импортного и отечественного производства от производителей и со складов крупных дистрибьюторов Европы, Америки и Азии.

С конца 2013 года компания активно расширяет линейку поставок компонентов по направлению коаксиальный кабель, кварцевые генераторы и конденсаторы (керамические, пленочные, электролитические), за счёт заключения дистрибьюторских договоров

Мы предлагаем:

- Конкуренеспособные цены и скидки постоянным клиентам.
- Специальные условия для постоянных клиентов.
- Подбор аналогов.
- Поставку компонентов в любых объемах, удовлетворяющих вашим потребностям.
- Приемлемые сроки поставки, возможна ускоренная поставка.
- Доставку товара в любую точку России и стран СНГ.
- Комплексную поставку.
- Работу по проектам и поставку образцов.
- Формирование склада под заказчика.
- Сертификаты соответствия на поставляемую продукцию (по желанию клиента).
- Тестирование поставляемой продукции.
- Поставку компонентов, требующих военную и космическую приемку.
- Входной контроль качества.
- Наличие сертификата ISO.

В составе нашей компании организован Конструкторский отдел, призванный помогать разработчикам, и инженерам.

Конструкторский отдел помогает осуществить:

- Регистрацию проекта у производителя компонентов.
- Техническую поддержку проекта.
- Защиту от снятия компонента с производства.
- Оценку стоимости проекта по компонентам.
- Изготовление тестовой платы монтаж и пусконаладочные работы.



Тел: +7 (812) 336 43 04 (многоканальный)

Email: org@lifeelectronics.ru