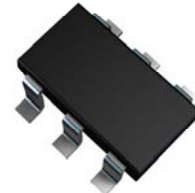


ZXMN2088DE6

20V Dual SOT23-6 N-channel enhancement mode MOSFET with low gate drive capability

Summary

$V_{(BR)DSS}$	$R_{DS(on)}$ (Ω)	I_D (A)
20	0.200 @ $V_{GS}=4.5V$	2.1
	0.240 @ $V_{GS}=2.5V$	1.9
	0.310 @ $V_{GS}=1.8V$	1.7



Description

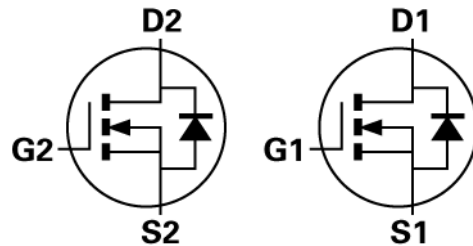
This new generation dual n-channel trench MOSFET from Zetex features low on-resistance achievable with low gate drive.

Features

- Low on-resistance
- Low gate drive capability
- SOT23-6 (dual) package

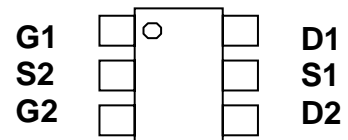
Applications

- Power Management functions
- Disconnect switches
- Relay driving and load switching



Ordering information

Device	Reel size (inches)	Tape width (mm)	Quantity per reel
ZXMN2088DE6TA	7	8	3,000



Pinout – top view

Device marking

2088

Absolute maximum ratings

Parameter	Symbol	Limit	Unit
Drain-Source voltage	V_{DSS}	20	V
Gate-Source voltage	V_{GS}	± 8	V
Continuous Drain current @ $V_{GS}=4.5V$; $T_A=25^\circ C$ ^{(b) (d)} @ $V_{GS}=4.5V$; $T_A=70^\circ C$ ^{(b) (d)} @ $V_{GS}=4.5V$; $T_A=25^\circ C$ ^{(a) (d)}	I_D	2.1 1.7 1.7	A
Pulsed Drain current ^(c)	I_{DM}	8	A
Power dissipation at $T_A=25^\circ C$ ^{(a) (d)} Linear derating factor	P_D	0.9 7.2	W mW/°C
Power dissipation at $T_A=25^\circ C$ ^{(a) (e)} Linear derating factor	P_D	1.1 8.8	W mW/°C
Power dissipation at $T_A=25^\circ C$ ^{(b) (d)} Linear derating factor	P_D	1.3 10.4	W mW/°C
Operating and storage temperature range	T_j, T_{stg}	-55 to +150	°C

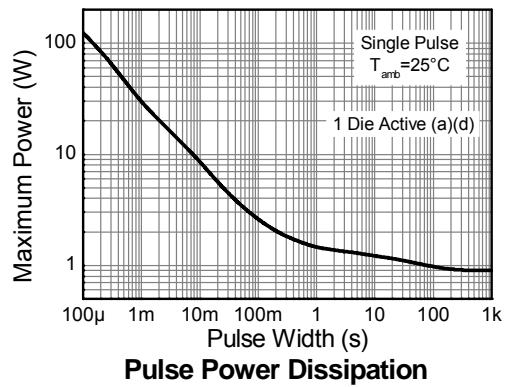
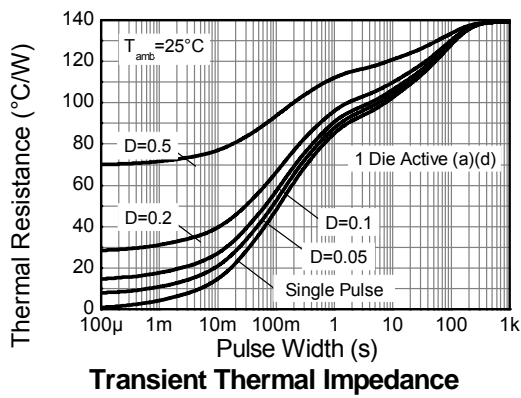
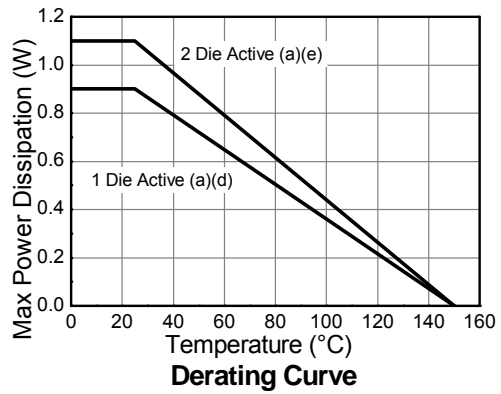
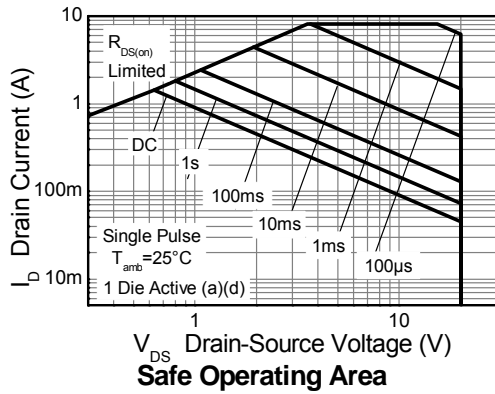
Thermal resistance

Parameter	Symbol	Value	Unit
Junction to Ambient ^{(a) (d)}	$R_{\theta JA}$	139	°C/W
Junction to Ambient ^{(a) (e)}	$R_{\theta JA}$	113	°C/W
Junction to Ambient ^{(b) (d)}	$R_{\theta JA}$	96	°C/W

NOTES:

- (a) For a device surface mounted on 25mm x 25mm FR4 PCB with high coverage of single sided 1oz copper, in still air conditions.
- (b) As above measured at $t \leq 5$ sec.
- (c) Repetitive rating - 25mm x 25mm FR4 PCB, $D=0.02$, pulse width 300us – pulse width limited by maximum junction temperature.
- (d) For device with one active die
- (e) For device with two active die running at equal power.

Thermal Characteristics



ZXMN2088DE6

Electrical characteristics (at $T_{amb} = 25^{\circ}\text{C}$ unless otherwise stated).						
Parameter	Symbol	Min.	Typ.	Max.	Unit	Conditions
Static						
Drain-Source breakdown voltage	$V_{(BR)DSS}$	20			V	$I_D = 250\mu\text{A}$, $V_{GS} = 0\text{V}$
Zero gate voltage drain current	I_{DSS}			100	nA	$V_{DS} = 3\text{V}$, $V_{GS} = 0\text{V}$
Zero gate voltage drain current	I_{DSS}			1	μA	$V_{DS} = 20\text{V}$, $V_{GS} = 0\text{V}$
Gate-Body leakage	I_{GSS}			100	nA	$V_{GS} = \pm 8\text{V}$, $V_{DS} = 0\text{V}$
Gate-Source threshold voltage	$V_{GS(th)}$	0.4		1.0	V	$I_D = 250\mu\text{A}$, $V_{DS} = V_{GS}$
Static Drain-Source on-state resistance ^(*)	$R_{DS(on)}$		112	0.200	Ω	$V_{GS} = 4.5\text{V}$, $I_D = 1.0\text{A}$
			137	0.240	Ω	$V_{GS} = 2.5\text{V}$, $I_D = 0.6\text{A}$
			165	0.310	Ω	$V_{GS} = 1.8\text{V}$, $I_D = 0.3\text{A}$
Forward transconductance ^(*) ^(‡)	g_{fs}		4.6		S	$V_{DS} = 10\text{V}$, $I_D = 1.0\text{A}$
Dynamic ^(‡)						
Input capacitance	C_{iss}		279		pF	$V_{DS} = 10\text{V}$, $V_{GS} = 0\text{V}$
Output capacitance	C_{oss}		52		pF	$f = 1\text{MHz}$
Reverse transfer capacitance	C_{riss}		29		pF	
Switching ^(†) ^(‡)						
Turn-on-delay time	$t_{d(on)}$		2		ns	$V_{DD} = 10\text{V}$, $V_{GS} = 4.5\text{V}$
Rise time	t_r		3.2		ns	$I_D = 1\text{A}$
Turn-off delay time	$t_{d(off)}$		12.7		ns	$R_G \approx 6.0\Omega$
Fall time	t_f		6.2		ns	
Gate Charge						
Total Gate charge	Q_g		3.8		nC	$V_{DS} = 10\text{V}$,
Gate-Source charge	Q_{gs}		0.41		nC	$V_{GS} = 4.5\text{V}$
Gate Drain charge	Q_{gd}		0.56		nC	$I_D = 2.4\text{A}$
Source-drain diode						
Diode forward voltage ^(‡)	V_{SD}		0.75	0.95	V	$T_j = 25^{\circ}\text{C}$, $I_S = 1.0\text{A}$, $V_{GS} = 0\text{V}$
Reverse recovery time	t_{rr}		6.6		ns	$T_j = 25^{\circ}\text{C}$,
Reverse recovery charge	Q_{rr}		1.6		nC	$I_F = 1.24\text{A}$ $di/dt = 100\text{A}/\mu\text{s}$

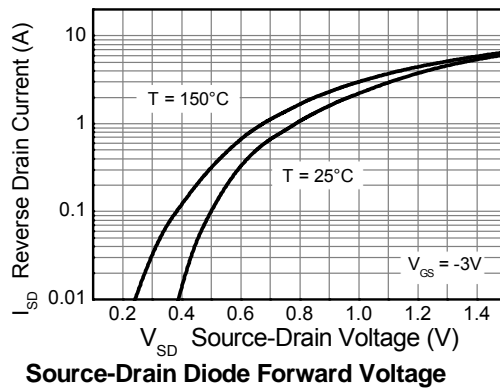
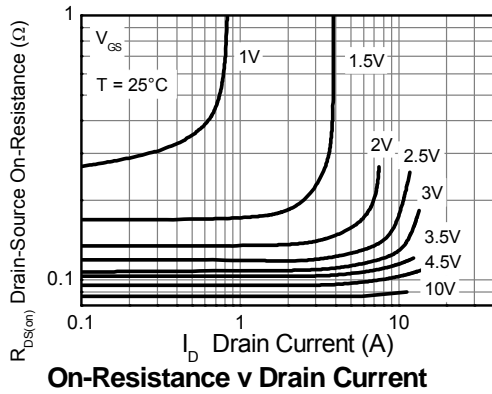
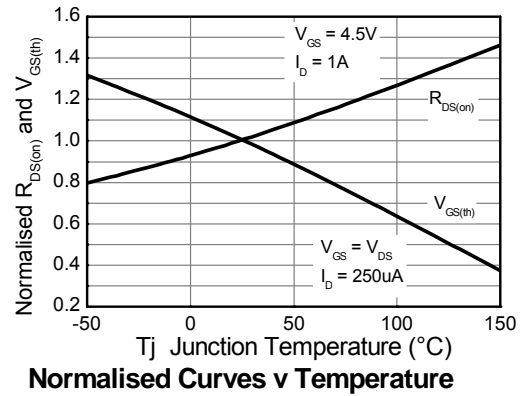
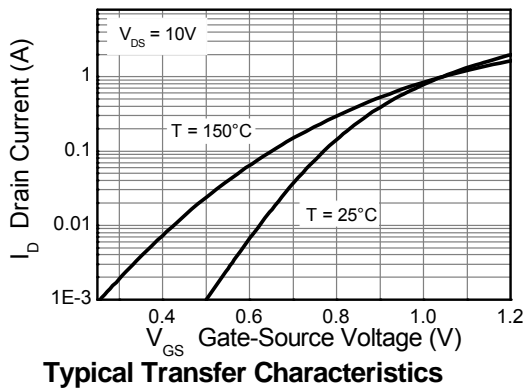
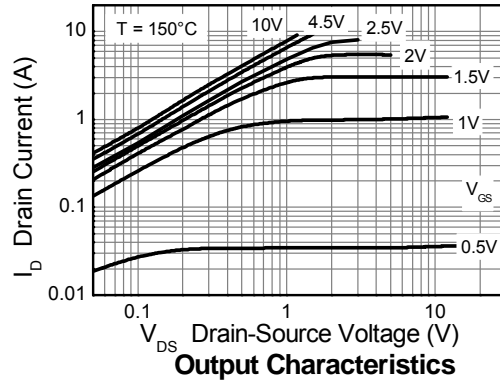
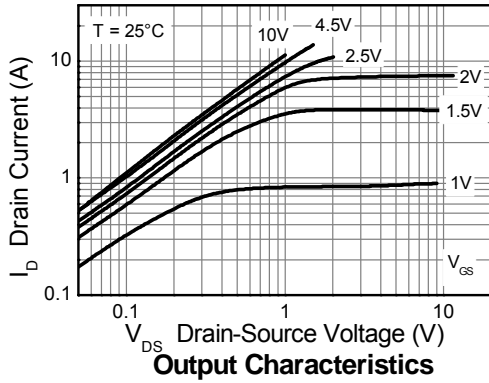
NOTES:

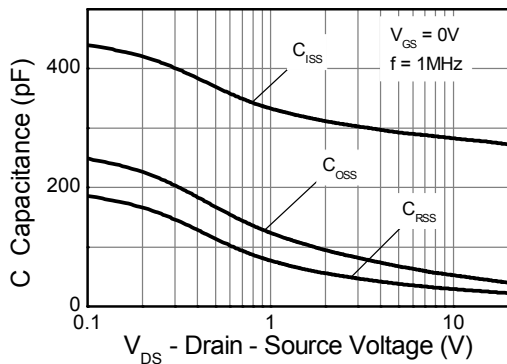
^(*) Measured under pulsed conditions. Pulse width $\leq 300\mu\text{s}$; duty cycle $\leq 2\%$.

^(†) Switching characteristics are independent of operating junction temperature.

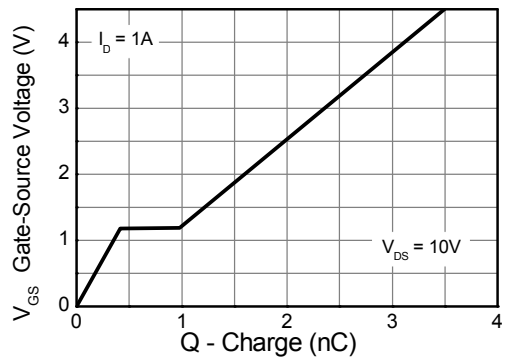
^(‡) For design aid only, not subject to production testing.

Typical Characteristics



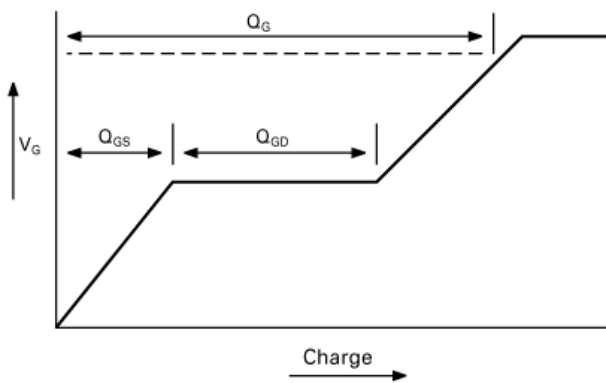


Capacitance v Drain-Source Voltage

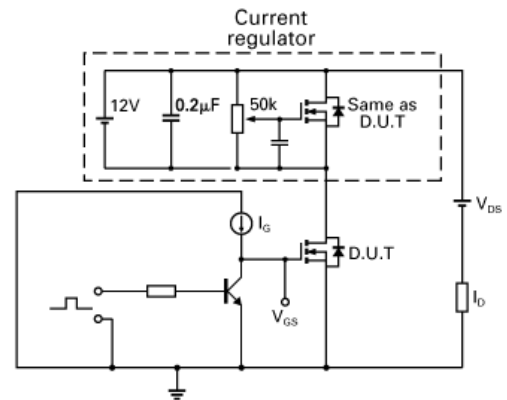


Gate-Source Voltage v Gate Charge

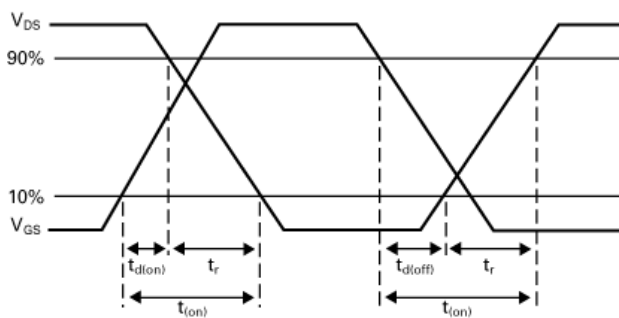
Test Circuits



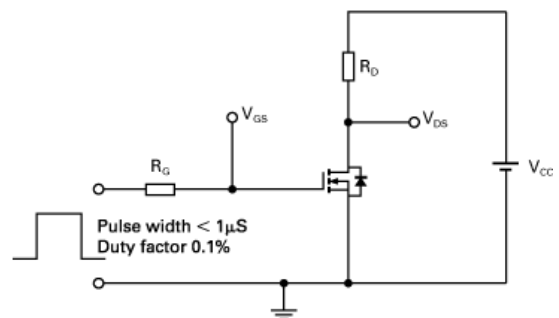
Basic gate charge waveform



Gate charge test circuit



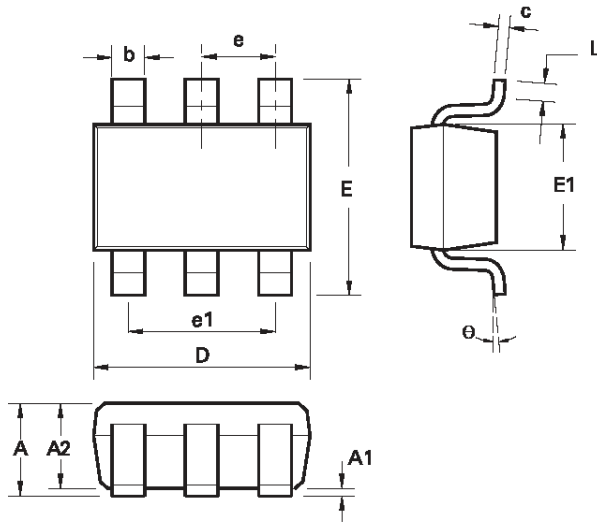
Switching time waveforms



Switching time test circuit

Packaging details – SOT236

Package outline



DIM	Millimeters		Inches	
	Min.	Max.	Min.	Max.
A	0.90	1.45	0.354	0.0570
A1	0.00	0.15	0.00	0.0059
A2	0.90	1.30	0.0354	0.0511
b	0.35	0.50	0.0078	0.0196
C	0.09	0.26	0.0035	0.0102
D	2.70	3.10	0.1062	0.1220
E	2.20	3.20	0.0866	0.1181
E1	1.30	1.80	0.0511	0.0708
L	0.10	0.60	0.0039	0.0236
e	0.95 REF		0.0374 REF	
e1	1.90 REF		0.0748 REF	
L	0°	30°	0°	30°

Note: Controlling dimensions are in millimeters. Approximate dimensions are provided in inches

Definitions

Product change

Diodes Incorporated reserves the right to alter, without notice, specifications, design, price or conditions of supply of any product or service. Customers are solely responsible for obtaining the latest relevant information before placing orders.

Applications disclaimer

The circuits in this design/application note are offered as design ideas. It is the responsibility of the user to ensure that the circuit is fit for the user's application and meets with the user's requirements. No representation or warranty is given and no liability whatsoever is assumed by Diodes Inc with respect to the accuracy or use of such information, or infringement of patents or other intellectual property rights arising from such use or otherwise. Diodes Inc does not assume any legal responsibility or will not be held legally liable (whether in contract, tort (including negligence), breach of statutory duty, restriction or otherwise) for any damages, loss of profit, business, contract, opportunity or consequential loss in the use of these circuit applications, under any circumstances.

Life support

Diodes Zetex products are specifically not authorized for use as critical components in life support devices or systems without the express written approval of the Chief Executive Officer of Diodes Incorporated. As used herein:

- A. Life support devices or systems are devices or systems which:
1. are intended to implant into the body
- or
2. support or sustain life and whose failure to perform when properly used in accordance with instructions for use provided in the labeling can be reasonably expected to result in significant injury to the user.
- B. A critical component is any component in a life support device or system whose failure to perform can be reasonably expected to cause the failure of the life support device or to affect its safety or effectiveness.

Reproduction

The product specifications contained in this publication are issued to provide outline information only which (unless agreed by the company in writing) may not be used, applied or reproduced for any purpose or form part of any order or contract or be regarded as a representation relating to the products or services concerned.

Terms and Conditions

All products are sold subjects to Diodes Inc. terms and conditions of sale, and this disclaimer (save in the event of a conflict between the two when the terms of the contract shall prevail) according to region, supplied at the time of order acknowledgement.

For the latest information on technology, delivery terms and conditions and prices, please contact your nearest Zetex sales office.

Quality of product

Diodes Zetex Semiconductors Limited is an ISO 9001 and TS16949 certified semiconductor manufacturer.

To ensure quality of service and products we strongly advise the purchase of parts directly from Diodes or one of our regionally authorized distributors. For a complete listing of authorized distributors please visit: www.zetex.com or www.diodes.com

Diodes Zetex Semiconductors does not warrant or accept any liability whatsoever in respect of any parts purchased through unauthorized sales channels.

ESD (Electrostatic discharge)

Semiconductor devices are susceptible to damage by ESD. Suitable precautions should be taken when handling and transporting devices. The possible damage to devices depends on the circumstances of the handling and transporting, and the nature of the device. The extent of damage can vary from immediate functional or parametric malfunction to degradation of function or performance in use over time. Devices suspected of being affected should be replaced.

Green compliance

Diodes Zetex Semiconductors is committed to environmental excellence in all aspects of its operations which includes meeting or exceeding regulatory requirements with respect to the use of hazardous substances. Numerous successful programs have been implemented to reduce the use of hazardous substances and/or emissions.

All Diodes Zetex components are compliant with the RoHS directive, and through this it is supporting its customers in their compliance with WEEE and ELV directives.

Product status key:

"Preview"	Future device intended for production at some point. Samples may be available
"Active"	Product status recommended for new designs
"Last time buy (LTB)"	Device will be discontinued and last time buy period and delivery is in effect
"Not recommended for new designs"	Device is still in production to support existing designs and production
"Obsolete"	Production has been discontinued

Datasheet status key:

"Draft version"	This term denotes a very early datasheet version and contains highly provisional information, which may change in any manner without notice.
"Provisional version"	This term denotes a pre-release datasheet. It provides a clear indication of anticipated performance. However, changes to the test conditions and specifications may occur, at any time and without notice.
"Issue"	This term denotes an issued datasheet containing finalized specifications. However, changes to specifications may occur, at any time and without notice.

Europe	Americas	Asia Pacific	Corporate Headquarters
Zetex GmbH Kustermann-park Balanstraße 59 D-81541 München Germany Telefon: (49) 89 45 49 49 0 Fax: (49) 89 45 49 49 49 europe.sales@zetex.com	Zetex Inc 700 Veterans Memorial Highway Hauppauge, NY 11788 USA Telephone: (1) 631 360 2222 Fax: (1) 631 360 8222 usa.sales@zetex.com	Diodes Zetex (Asia) Limited 3701-04 Metroplaza Tower 1 Hing Fong Road, Kwai Fong Hong Kong Telephone: (852) 26100 611 Fax: (852) 24250 494 asia.sales@zetex.com	Diodes Incorporated 15660 N. Dallas Parkway Suite 850, Dallas TX 75248, USA www.diodes.com

Компания «Life Electronics» занимается поставками электронных компонентов импортного и отечественного производства от производителей и со складов крупных дистрибьюторов Европы, Америки и Азии.

С конца 2013 года компания активно расширяет линейку поставок компонентов по направлению коаксиальный кабель, кварцевые генераторы и конденсаторы (керамические, пленочные, электролитические), за счёт заключения дистрибьюторских договоров

Мы предлагаем:

- Конкурентоспособные цены и скидки постоянным клиентам.
- Специальные условия для постоянных клиентов.
- Подбор аналогов.
- Поставку компонентов в любых объемах, удовлетворяющих вашим потребностям.
- Приемлемые сроки поставки, возможна ускоренная поставка.
- Доставку товара в любую точку России и стран СНГ.
- Комплексную поставку.
- Работу по проектам и поставку образцов.
- Формирование склада под заказчика.
- Сертификаты соответствия на поставляемую продукцию (по желанию клиента).
- Тестирование поставляемой продукции.
- Поставку компонентов, требующих военную и космическую приемку.
- Входной контроль качества.
- Наличие сертификата ISO.

В составе нашей компании организован Конструкторский отдел, призванный помогать разработчикам, и инженерам.

Конструкторский отдел помогает осуществить:

- Регистрацию проекта у производителя компонентов.
- Техническую поддержку проекта.
- Защиту от снятия компонента с производства.
- Оценку стоимости проекта по компонентам.
- Изготовление тестовой платы монтаж и пусконаладочные работы.



Тел: +7 (812) 336 43 04 (многоканальный)

Email: org@lifeelectronics.ru