

PCI/PCIe-7300A, cPCI-7300

80 MB/s High-Speed 32-CH Digital I/O Cards



PCI-7300A



PCIe-7300A



cPCI-7300

Introduction

ADLINK's PCI/PCIe-7300A and cPCI-7300 are ultra-high-speed digital I/O card consisting of 32 digital input/output channels. High performance designs and state-of-the-art technology make these cards ideal for a wide range of applications, such as high-speed data transfer, digital pattern generation and digital pattern capture applications, and logic analyzer applications. Trigger signals are available to start the data acquisition of pattern generation.

Maximum Data Acquisition Rate

For sustained data transfer directly from or to host memory, the maximum data acquisition rate can be 80 MB/s. The maximum data transfer rates between external device and onboard FIFO can be up to 80 MB/s for DO and 160 MB/s for DI. 80MB/s is achieved by 32-bit data width multiplied by an internal 20 MHz clock. 160 MB/s is achieved by 32-bit data width with an external 40 MHz clock for digital input channels only. The PCI/PCIe-7300A, cPCI-7300 can reach 160 MB/s throughput only when the acquired data length is less than FIFO size (16 k samples).

Bus Mastering DMA

The PCI/PCIe-7300A, cPCI-7300 performs high-speed data transfers between onboard FIFO and host memory using bus mastering DMA and scatter gather. When the PCI/PCIe-7300A, cPCI-7300 becomes the bus master, it takes control of the PCI/PCIe/cPCI bus, transfers data at burst speed, and then releases the bus. The host memory can be utilized as much as possible to store data when the data acquisition throughput is less than the sustained PCI bus bandwidth.

Scatter Gather Support

For bus master devices, the hardware has the special-design built-in support for transferring data to and from non-contiguous ranges of physical memory. The PCI/PCIe-7300A, cPCI-7300 contains multiple pairs of address and length registers, each one describing a single contiguous buffer segment. This allows the PCI/PCIe-7300A, cPCI-7300 to perform I/O using buffers that are scattered throughout DMA address space. These multiple address and count registers are often referred to as a scatter/gather list, and you can also think of these bus masters as having their own built-in mapping registers. With scatter gather support, the data transfer size is no longer a limitation, and moreover, ring buffer is easily achieved with the link list of the scattered memory.

I/O Port Configurations

The PCI/PCIe-7300A, cPCI-7300 is initially configured as two ports: PORT A and PORT B. Each port controls 16 digital I/O lines. The I/O ports can be configured as either input or output. According to outside device environment, the PCI/PCIe-7300A, cPCI-7300 can be configured to meet all high-speed digital I/O data transferring. PCI/PCIe-7300A, cPCI-7300 can support many different digital I/O operation modes:

- Internal clock: The digital input and output operations are handled by internal clock and data is transferred by busmastering DMA.
- External clock: The digital input and output operations are handled by external In/Out strobe signals (DI_REQ or DO_ACK) and data is transferred by busmastering DMA.
- Handshaking: Through REQ and ACK signals, the digital I/O data can have simple handshaking data transfer to guarantee no data loss.
- Pattern generation: The PCI/PCIe-7300A, cPCI-7300 reads or writes digital data at a prede terminated rate. Users can control the rate internally via by onboard counters with 50 ns timing resolution.

Features

- x1 lane PCI Express® Interface (PCIe-7300A)
- Supports a 32-bit 5 V PCI bus (PCI-7300A)
- 3U Eurocard form factor, CompactPCI compliant (PICMG 2.0 R2.1) (cPCI-7300)
- 32-CH 5 V/TTL digital inputs/outputs
- 20 MHz (80 MB/s) maximum transfer rate
- 8, 16, or 32-bit transfers
- 4 auxiliary DI & 4 auxiliary DO
- Onboard 64 kB FIFO
- Onboard programmable timer pacer clock
- Timed digital input sampling controlled by internal timer or external clock
- Independent trigger signals to start data acquisition and pattern generation
- Scatter-gather DMA
- Supports handshaking digital I/O transfer mode
- Repeated digital pattern generation from FIFO
- Active terminators for high-speed and longdistance data transfer

Operating Systems

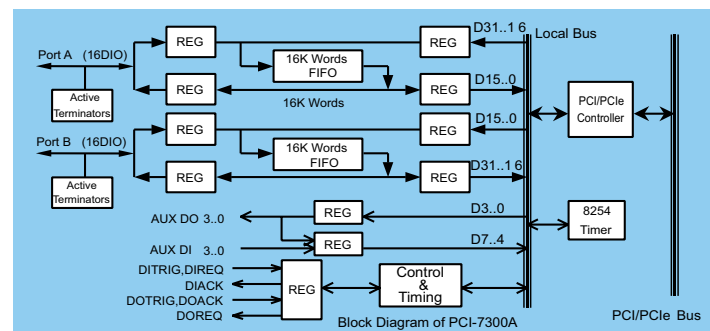
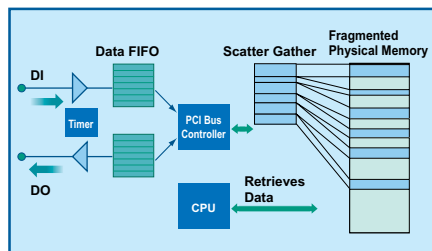
- Windows 7/Vista/XP/2000/2003 Server
- Linux

Recommended Software

- AD-Logger
- VB.NET/VC.NET/VB/VC++/BCB/Delphi
- DAQBench

Driver Support

- DAQPilot for LabVIEW™
- PCIS-DASK for Windows
- PCIS-DASK/X for Linux



Specifications

Digital I/O

- Numbers of channel (Software configurable)
 - 16 DI & 16 DO
 - 32 DI
 - 32 DO
- Compatibility: 5 V/TTL
- Digital logic levels
 - Input high voltage: 2-5.25 V
 - Input low voltage: 0-0.8 V
 - Output high voltage: 2.7 V minimum
 - Output low voltage: 0.5 V maximum
- Input load
 - Terminator OFF
 - Input high current: 1 mA
 - Input low current: 20 mA
 - Terminator ON
 - Termination resistor: 111 Ω
 - Termination voltage: 2.9 V
 - Input high current: 1 mA
 - Input low current: 22.4 mA
- Output driving capacity
 - Source current: 8 mA
 - Sink current: 48 mA

Transfer Characteristics

- Data transfers:
 - Bus-mastering DMA with Scatter/Gather
- Data width: 32/16/8 bits (programmable)

Data Transfer Count

- 2 M double words (8 MB) for non-chaining mode DMA
- No limitation for chaining mode (scatter/gather) DMA

Max Transfer Rate

- DO: 80 MBytes/s, 32-bit output @ 20 MHz
- DI: 80 MBytes/s, 32-bit input @ 20 MHz

Trigger

- DI_TRG for digital inputs, DO_TRG for digital outputs
- Compatibility: 5 V/TTL
- Trigger types: rising or falling edges
- Minimum pulse width: 32 ns

Clocking Mode

- Internal clock
 - Internal clock sources: 20 MHz, 10 MHz, Timer#0 output (digital input pacer) and Timer #1 output (digital output pacer)
- External clock up to 40 MHz
- Handshaking
- Burst handshaking

Programmable Counter

- Base clock: 10 MHz
- Timer #0 as digital input pacer
- Timer #1 as digital output pacer
- Timer #2: as interrupt source

Auxiliary Digital I/O

- Number of channels
 - 4-CH digital inputs
 - 4-CH digital outputs
- Compatibility: 5 V/TTL
- Data transfers: programmed I/O
- I/O connector: One 100-pin SCSI-II female
- Operating temperature: 0 °C to 60 °C
- Storage temperature: -20 °C to 80 °C
- Relative humidity: 5% to 95%, non-condensing
- Power requirements

| Device | Power | Onboard terminator off | Onboard terminator on |
|------------|-----------------|----------------------------------|----------------------------------|
| PCI-7300A | +5 V | 830 mA typical | 1.0 A typical |
| PCIe-7300A | +12 V +3.3 V | 119 mA typical 499 mA typical | 287 mA typical 543 mA typical |
| cPCI-7300 | +5 V | 830 mA typical | 1.0 A typical |

- Dimensions (not including connectors)
 - 179 mm x 106 mm (PCI-7300A)
 - 168 mm x 112 mm (PCIe-7300A)
 - 160 mm x 100 mm (cPCI-7300)

Terminal Boards & Cables

DIN-100S-01

Terminal Board with One 100-pin SCSI-II Connector and DIN-Rail Mounting (Cables are not included.)

Note:

Legacy DIN-502S can be replaced by two DIN-50S-01 and ACL-10252-1 (100-Pin to two 50-Pin Cable, 1 M)

ACL-102100-1

100-pin SCSI-II cable (mating with AMP-787082-9), 1 M

* For more information on mating cables, please refer to P2-61/62.

Ordering Information

■ PCI-7300A

80 MB/S High-Speed 32-CH Digital I/O Card

■ PCIe-7300A

80 MB/S High-Speed 32-CH Digital I/O PCIe Card

■ cPCI-7300

80 MB/s High-Speed 32-CH Digital I/O Module

Pin Assignment

| | | | |
|-----|----|-----|---------|
| GND | 1 | 51 | PB15 |
| GND | 2 | 52 | PB14 |
| GND | 3 | 53 | PB13 |
| GND | 4 | 54 | PB12 |
| GND | 5 | 55 | PB11 |
| GND | 6 | 56 | PB10 |
| GND | 7 | 57 | PB9 |
| GND | 8 | 58 | PB8 |
| GND | 9 | 59 | PB7 |
| GND | 10 | 60 | PB6 |
| GND | 11 | 61 | PB5 |
| GND | 12 | 62 | PB4 |
| GND | 13 | 63 | PB3 |
| GND | 14 | 64 | PB2 |
| GND | 15 | 65 | PB1 |
| GND | 16 | 66 | PB0 |
| GND | 17 | 67 | DO_ACK |
| GND | 18 | 68 | DO_REQ |
| GND | 19 | 69 | DO_TRG |
| GND | 20 | 70 | AUXO3 |
| GND | 21 | 71 | AUXO2 |
| GND | 22 | 72 | AUXO1 |
| GND | 23 | 73 | AUXO0 |
| GND | 24 | 74 | TERMPWR |
| GND | 25 | 75 | TERMPWR |
| GND | 26 | 76 | TERMPWR |
| GND | 27 | 77 | TERMPWR |
| GND | 28 | 78 | AUXI3 |
| GND | 29 | 79 | AUXI2 |
| GND | 30 | 80 | AUXI1 |
| GND | 31 | 81 | AUXI0 |
| GND | 32 | 82 | DI_ACK |
| GND | 33 | 83 | DI_REQ |
| GND | 34 | 84 | DI_TRG |
| GND | 35 | 85 | PA15 |
| GND | 36 | 86 | PA14 |
| GND | 37 | 87 | PA13 |
| GND | 38 | 88 | PA12 |
| GND | 39 | 89 | PA11 |
| GND | 40 | 90 | PA10 |
| GND | 41 | 91 | PA9 |
| GND | 42 | 92 | PA8 |
| GND | 43 | 93 | PA7 |
| GND | 44 | 94 | PA6 |
| GND | 45 | 95 | PA5 |
| GND | 46 | 96 | PA4 |
| GND | 47 | 97 | PA3 |
| GND | 48 | 98 | PA2 |
| GND | 49 | 99 | PA1 |
| GND | 50 | 100 | PA0 |

Компания «Life Electronics» занимается поставками электронных компонентов импортного и отечественного производства от производителей и со складов крупных дистрибьюторов Европы, Америки и Азии.

С конца 2013 года компания активно расширяет линейку поставок компонентов по направлению коаксиальный кабель, кварцевые генераторы и конденсаторы (керамические, пленочные, электролитические), за счёт заключения дистрибьюторских договоров

Мы предлагаем:

- Конкурентоспособные цены и скидки постоянным клиентам.
- Специальные условия для постоянных клиентов.
- Подбор аналогов.
- Поставку компонентов в любых объемах, удовлетворяющих вашим потребностям.
- Приемлемые сроки поставки, возможна ускоренная поставка.
- Доставку товара в любую точку России и стран СНГ.
- Комплексную поставку.
- Работу по проектам и поставку образцов.
- Формирование склада под заказчика.
- Сертификаты соответствия на поставляемую продукцию (по желанию клиента).
- Тестирование поставляемой продукции.
- Поставку компонентов, требующих военную и космическую приемку.
- Входной контроль качества.
- Наличие сертификата ISO.

В составе нашей компании организован Конструкторский отдел, призванный помогать разработчикам, и инженерам.

Конструкторский отдел помогает осуществить:

- Регистрацию проекта у производителя компонентов.
- Техническую поддержку проекта.
- Защиту от снятия компонента с производства.
- Оценку стоимости проекта по компонентам.
- Изготовление тестовой платы монтаж и пусконаладочные работы.



Тел: +7 (812) 336 43 04 (многоканальный)

Email: org@lifeelectronics.ru