

Synchronous Buck or Boost Controller for 2-Cell Li+ Battery Operated Portable Communication Devices

FEATURES

- Voltage Mode Control
- 5-V to 10-V Input Voltage Range for V_{DD}
- 5-V to 12.6-V Input Voltage Range for V_S – Boost
- Programmable PWM/PSM Control
 - Up to 2-MHz Switching Frequency in PWM
 - Synchronous Rectification in PWM
 - Less than 350- μ A I_{DD} in PSM
- Very High Efficiencies In Buck or Boost Modes
- Low Dropout Operation at 100% Duty Cycle In Buck Mode
- Integrated UVLO and POR
- Integrated Soft-Start
- Synchronization

- Logic Controlled Micropower Shutdown Current $< 2 \mu$ A
- Fast Line and Load Transient Response
- Available in 16-Lead TSSOP Package

APPLICATIONS

- Cellular Telephones
- Wireless Modems
- Portable Instruments
- Notebook and Palmtop Computers
- PDA's
- Battery Operated Devices

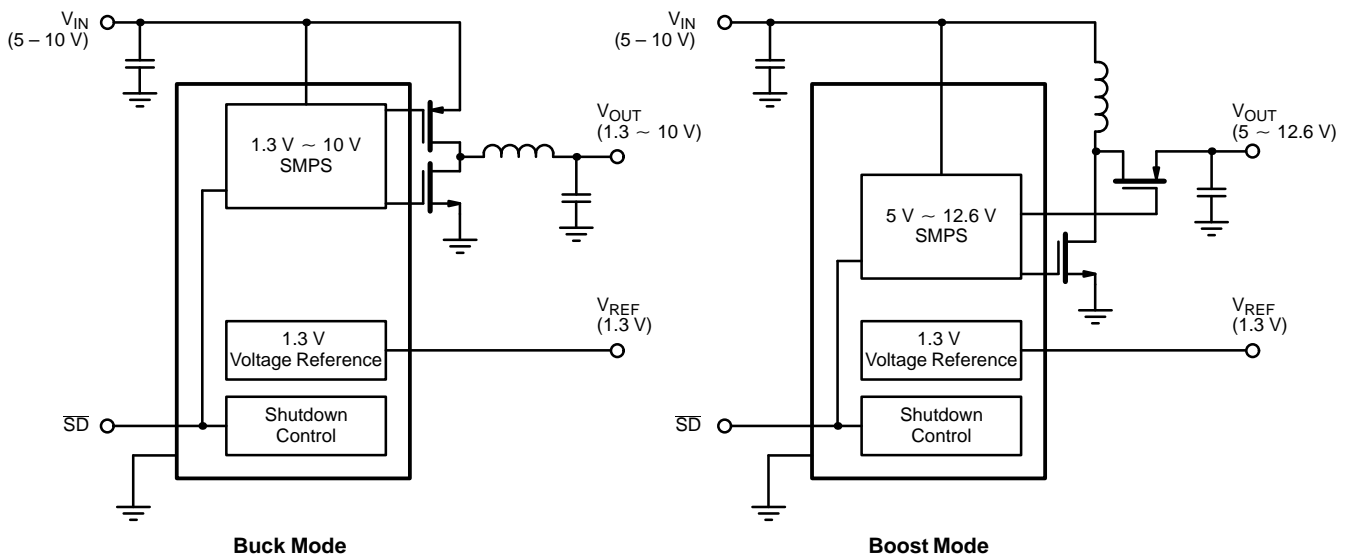
DESCRIPTION

The Si9168 is a synchronous buck or boost controller for 2-cell Li+ battery operated portable communication devices. Designed for use with external high-frequency MOSFETs, the Si9168 is ideal for providing power to various power amplifiers such as TDMA, CDMA, GSM, or PCS. For ultra-high efficiency, converters are designed to operate in synchronous rectified PWM mode under full load, while transforming into externally controlled pulse skipping mode (PSM) under light load conditions. All these features are provided by Si9168 without sacrificing system integration requirements of fitting these

circuits into ever demanding smaller space. The Si9168 is capable of switching up to 2 MHz to minimize the size of the output inductor and capacitor, in order to decrease the overall converter footprint. The programmability to design a buck or boost converter with this IC makes it convenient to power either the high voltage (7.2-V) or low voltage (4-V) PAs.

The Si9168 is available in TSSOP-16 pin package and specified to operate over the industrial temperature range of -25°C to 85°C .

FUNCTIONAL BLOCK DIAGRAM





ABSOLUTE MAXIMUM RATINGS

| | |
|-------------------------------------------------------------------------|----------------------------|
| Voltages Referenced to AGND | |
| V_{DD} | 13.2 V |
| $V_{SS}-V_{DD}$ | 2 V |
| PWM/PSM, SYNC, \overline{SD} , V_{REF} , R_{OSC} , COMP, FB, Mode | |
| | -0.3 V to $V_{DD} + 0.3$ V |
| V_O | -0.3 V to $V_S + 0.3$ V |
| PGND | ± 0.3 V |
| Voltages Referenced to PGND | |
| V_S | 13.2 V |
| D_H, D_L | -0.3 V to $V_S + 0.3$ V |

| | |
|------------------------------------------|--------------|
| Peak Output Current (D_H, D_L) | 1 A |
| Storage Temperature | -65 to 150°C |
| Operating Junction Temperature | 150°C |
| Power Dissipation (Package) ^a | |
| 16-Pin TSSOP (Q Suffix) ^b | 925 mW |
| Thermal Impedance (Θ_{JA}) | |
| 16-Pin TSSOP | 135°C/W |

Notes

- a. Device mounted with all leads soldered or welded to PC board.
b. Derate 7.4 mW/°C above 25°C.

Stresses beyond those listed under "Absolute Maximum Ratings" may cause permanent damage to the device. These are stress ratings only, and functional operation of the device at these or any other conditions beyond those indicated in the operational sections of the specifications is not implied. Exposure to absolute maximum rating conditions for extended periods may affect device reliability.

RECOMMENDED OPERATING RANGE

| | |
|---------------------------------------|----------------------------------|
| Voltages Referenced to AGND | |
| V_{DD} | 5 V to 10 V |
| F_{OSC} | 200 kHz to 2 MHz |
| R_{OSC} | .25 k Ω to 300 k Ω |
| PWM/PSM, SYNC, \overline{SD} , Mode | |
| | 0 V to V_{DD} |

| | |
|-----------------------------|-------------------------|
| V_{REF} | 0.1 μ F |
| Voltages Referenced to PGND | |
| V_S | 5.0 V to 10 V (Buck) |
| V_S | 5.0 V to 12.6 V (Boost) |

| SPECIFICATIONS | | | | | | |
|---------------------------------|---------------|-------------------------------------------------------------------------------------------------|-------------------------|------------------|------------------|---------|
| Parameter | Symbol | Test Conditions Unless Otherwise Specified $5\text{ V} \leq V_{DD}, V_S \leq 10\text{ V}$ | Limits -25°C to 85°C | | | Unit |
| | | | Min ^a | Typ ^b | Max ^a | |
| Reference | | | | | | |
| Output Voltage | V_{REF} | $I_{REF} = 0\text{ A}$ | 1.268 | 1.3 | 1.332 | V |
| | | $V_{DD} = 7.2\text{ V}, 25^\circ\text{C}$ | 1.280 | 1.3 | 1.320 | |
| V_{REF} Current | I_{REF} | | -500 | | | μ A |
| Power Supply Rejection | P_{SRR} | | | 60 | | dB |
| UVLO | | | | | | |
| Under Voltage Lockout (Turn-On) | $V_{UVLO/LH}$ | | 4.3 | 4.5 | 4.7 | V |
| Hysteresis | V_{HYS} | | | 0.2 | | |
| Soft-Start Time | | | | | | |
| SS Time | t_{SS} | | | 3 | | ms |
| SD, SYNC, PWM/PSM | | | | | | |
| Logic High | V_{IH} | | 2.4 | | | V |
| Logic Low | V_{IL} | | | | 0.8 | |
| Input Current | I_L | | -1.0 | | 1.0 | μ A |
| Mode | | | | | | |
| Logic High | V_{IH} | | 70% V_{DD} | | | V |
| Logic Low | V_{IL} | | | | 30% V_{DD} | |
| Input Current | I_L | | -1.0 | | 1.0 | μ A |



| SPECIFICATIONS | | | | | | |
|-------------------------------------------------------------|--------------------|-------------------------------------------------------------------------------------------------|-------------------------|------------------|------------------|---------------|
| Parameter | Symbol | Test Conditions Unless Otherwise Specified $5\text{ V} \leq V_{DD}, V_S \leq 10\text{ V}$ | Limits -25°C to 85°C | | | Unit |
| | | | Min ^a | Typ ^b | Max ^a | |
| Oscillator | | | | | | |
| Maximum Frequency | F_{MAX} | | 2 | | | MHz |
| Accuracy | | 1% External Resistor | -20 | | 20 | % |
| Maximum Duty Cycle (Buck, Non LDO Mode) | D_{MAX} | $F_{SW} = 2\text{ MHz}$ | 75 | 80 | | |
| Maximum Duty Cycle (Boost) | | $R_{OSC} = 130\text{ k}\Omega, V_{DD} = 5\text{ V}, V_S = 12.6\text{ V}$ | 65 | 71 | | |
| SYNC Range | F_{SYNC}/F_{OSC} | | 1.2 | | 1.5 | |
| SYNC Low Pulse Width | | | 50 | | | ns |
| SYNC High Pulse Width | | | 50 | | | |
| SYNC t_r, t_f | t_r, t_f | | | | 50 | |
| Error Amplifier | | | | | | |
| Input Bias Current | I_{BIAS} | $V_{FB} = 1.4\text{ V}$ | -1 | | 1 | μA |
| Open Loop Voltage Gain | A_{VOL} | | 50 | 60 | | dB |
| Offset Voltage | V_{OS} | | -10 | | 10 | mV |
| Unity Gain BW | BW | | | 2 | | MHz |
| Output Current (Source) | I_{EA} | $V_{FB} = 1.05\text{ V}$ | | -2 | -1 | mA |
| Output Current (Sink) | | $V_{FB} = 1.55\text{ V}$ | 1 | 3 | | |
| Power Supply Rejection | P_{SRR} | | | 60 | | dB |
| PSM Modulator | | | | | | |
| Switch On Time | t_{ON} | $V_{DD} = 7.2\text{ V}, V_{OUT} = 3.3\text{ V}, \text{ Buck Mode}$ | | 180 | | ns |
| Switch Off Blanking Time | t_{OFF} | | | 330 | | |
| Output Drive (D_H and D_L) | | | | | | |
| Output High Voltage | V_{OH} | $V_S = 7.2\text{ V}, I_{OUT} = -20\text{ mA}$ | 7.08 | 7.14 | | V |
| Output Low Voltage | V_{OL} | $V_S = 7.2\text{ V}, I_{OUT} = 20\text{ mA}$ | | 0.06 | 0.12 | |
| Peak Output Source | I_{SOURCE} | $V_S = 7.2\text{ V}, D_H = D_L = V_S/2$ | | -1000 | -500 | mA |
| Peak Output Sink | I_{SINK} | | 500 | 1000 | | |
| Break-Before-Make | t_{BBM} | $V_S = V_{DD} = 10\text{ V}$ | | 40 | | ns |
| Supply | | | | | | |
| Normal Mode | I_{DD} | $V_{DD} = 7.2\text{ V}, f_{OSC} = 2\text{ MHz}$ | | | 1100 | μA |
| PSM Mode | | $V_{DD} = 7.2\text{ V}$ | | | 350 | |
| Shutdown Mode | | $V_{DD} = 7.2\text{ V}, \overline{SD} = 0\text{ V}$ | | | 2.0 | |

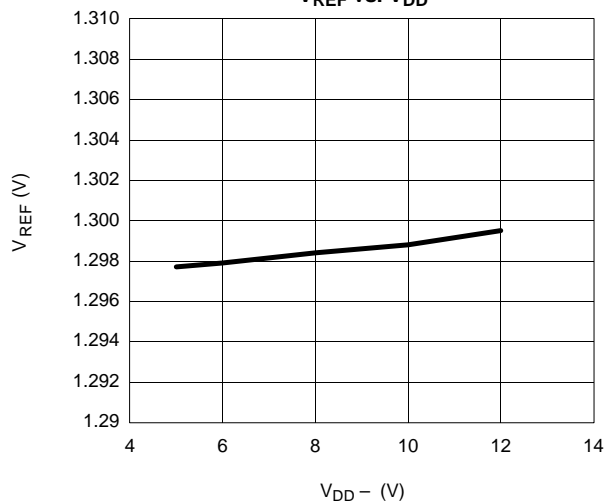
Notes

- a. The algebraic convention whereby the most negative value is a minimum and the most positive a maximum, is used in this data sheet.
- b. Typical values are for DESIGN AID ONLY, not guaranteed or subject to production testing.
- c. Guaranteed by design and characterization, not subject to production testing.

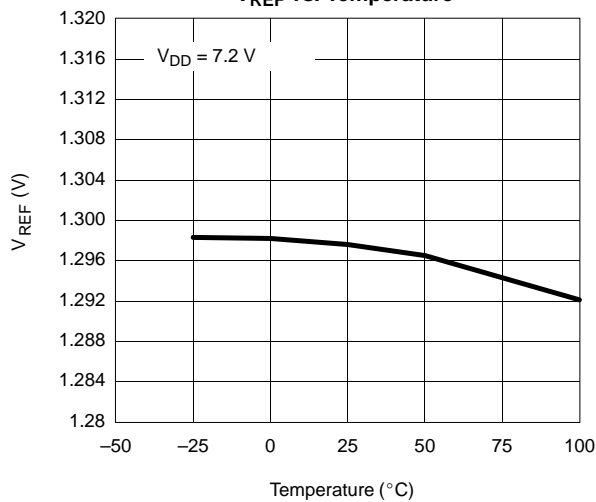


TYPICAL CHARACTERISTICS (25°C UNLESS NOTED)

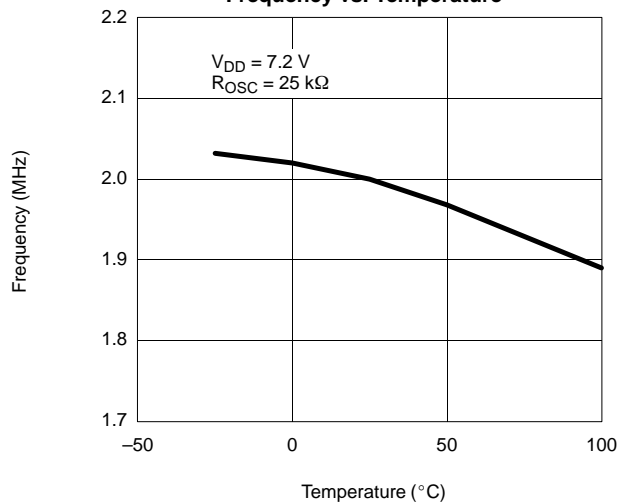
V_{REF} vs. V_{DD}



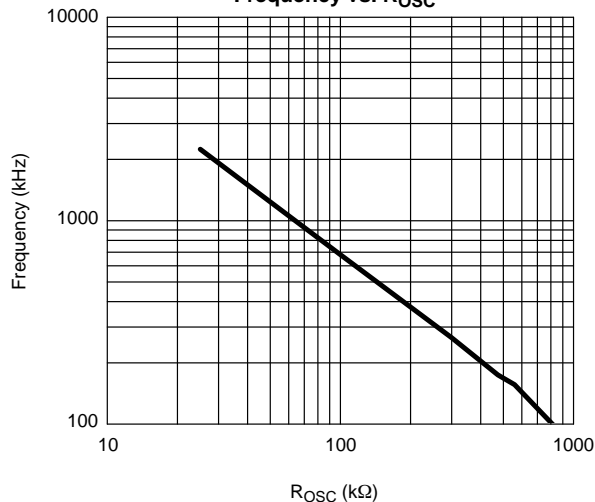
V_{REF} vs. Temperature



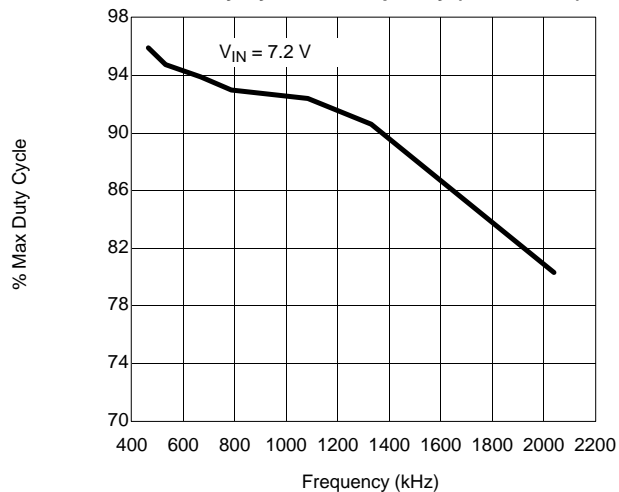
Frequency vs. Temperature



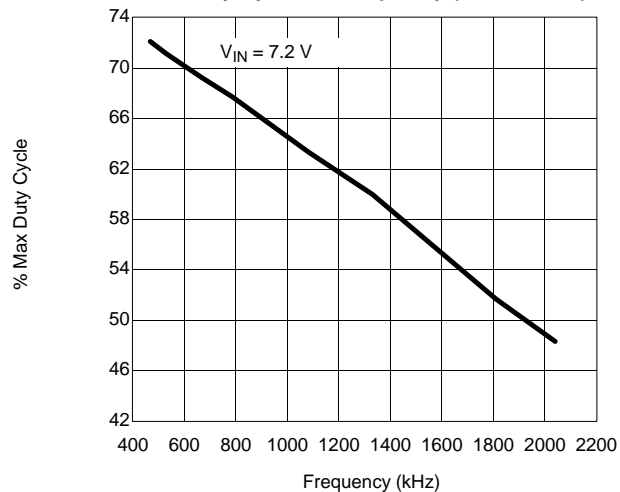
Frequency vs. R_{OSC}



Max Duty Cycle vs. Frequency (Buck Mode)

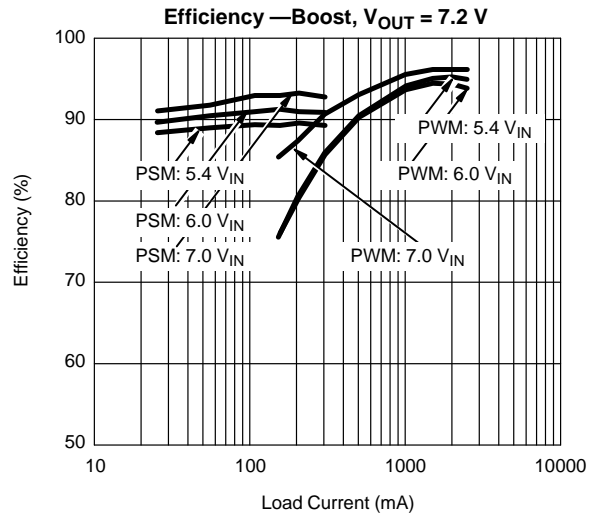
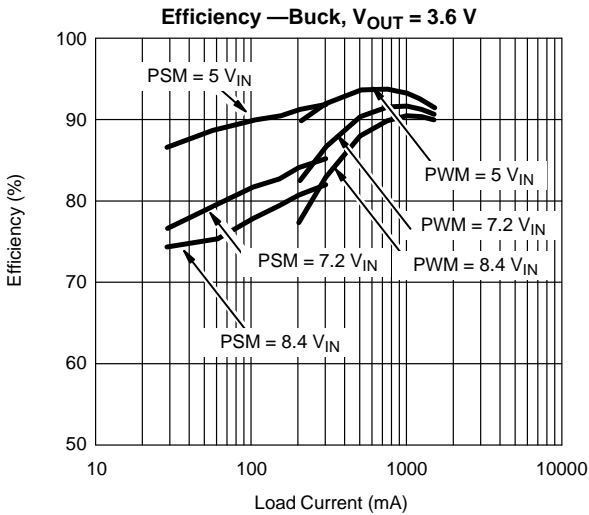
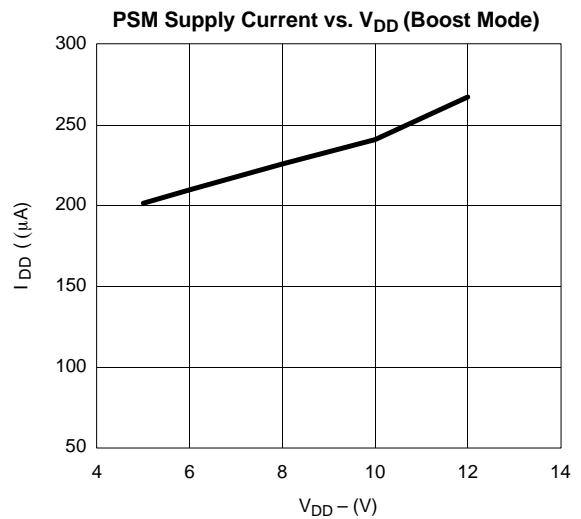
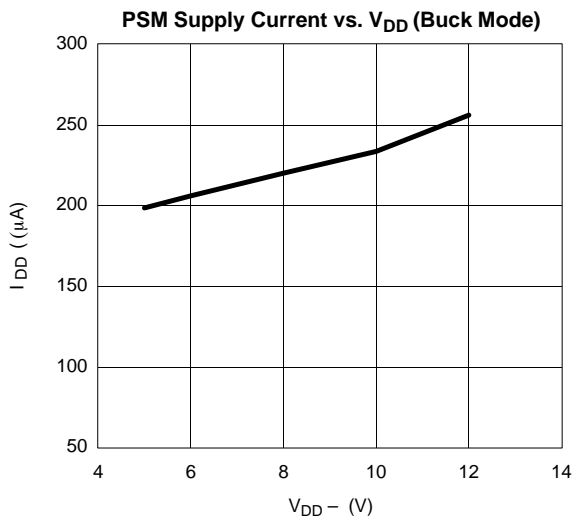
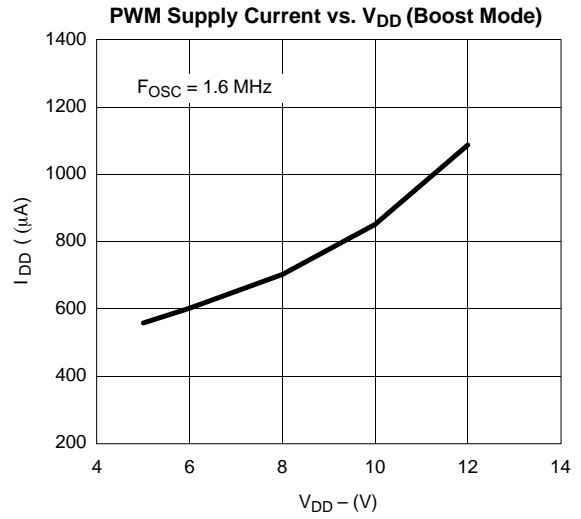
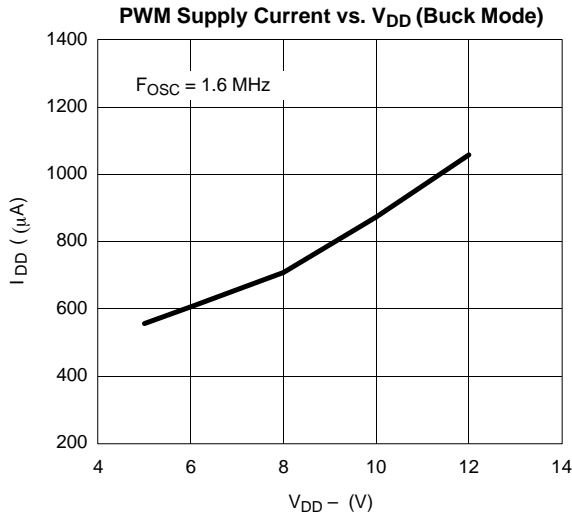


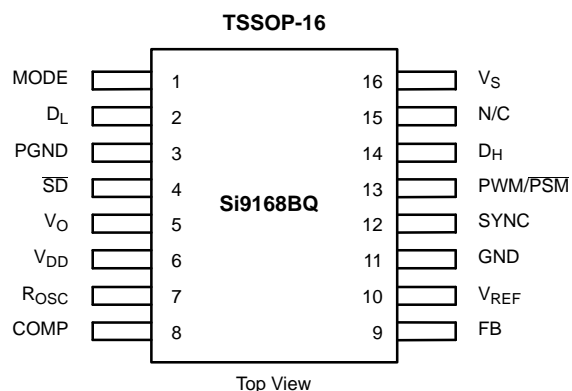
Max Duty Cycle vs. Frequency (Boost Mode)





TYPICAL CHARACTERISTICS (25°C UNLESS NOTED)



PIN CONFIGURATION

ORDERING INFORMATION

| Part Number | Temperature Range | Package |
|-------------|-------------------|---------------|
| Si9168BQ-T1 | -25 to 85°C | Tape and Reel |

| Eval Kit | Temperature Range | Board Type |
|----------|-------------------|---------------|
| Si9168DB | -25 to 85°C | Surface Mount |

PIN DESCRIPTION

| Pin Number | Name | Function |
|------------|-----------------|----------------------------------------------------------------------------------------------------------------------------------------------------------------------------------|
| 1 | MODE | Determines the converter topology. Connect to AGND for buck or V_{DD} for boost. |
| 2 | D_L | The gate drive output for the low-side n-channel MOSFET for buck and boost converter |
| 3 | PGND | Power ground for output drive stage |
| 4 | \overline{SD} | Logic low shuts down the IC completely and decreases the current consumption of IC to $<2 \mu A$. |
| 5 | V_O | Direct output voltage sense |
| 6 | V_{DD} | Input supply voltage for the analog circuit. V_{DD} voltage should be the ac filtered voltage of V_{SS} . Input voltage range is 5 V to 10 V. |
| 7 | R_{OSC} | External resistor to determine the switching frequency. |
| 8 | COMP | Error amplifier output for external compensation network. |
| 9 | FB | Output voltage feedback connected to the inverting input of an error amplifier. |
| 10 | V_{REF} | 1.3-V reference voltage. Connected internally to non-inverting error amplifier input. Decouple with 0.1- μF ceramic capacitor. |
| 11 | GND | Low power controller ground |
| 12 | SYNC | Externally controlled synchronization signal. Logic high to low transition forces the clock synchronization. If not used, the pin must be connected to V_{DD} , or logic high. |
| 13 | PWM/PSM | Logic high = PWM mode, logic low = PSM mode. In PSM mode, synchronous rectification drive is disabled. |
| 14 | D_H | The gate drive output for the high-side p-channel MOSFET for buck and boost converter |
| 15 | N/C | Not used. |
| 16 | V_S | Supply voltage for the output driver section. Voltage range is 5 V to 10 V (Buck), 5 to 12.6 V (Boost). |

BLOCK DIAGRAM

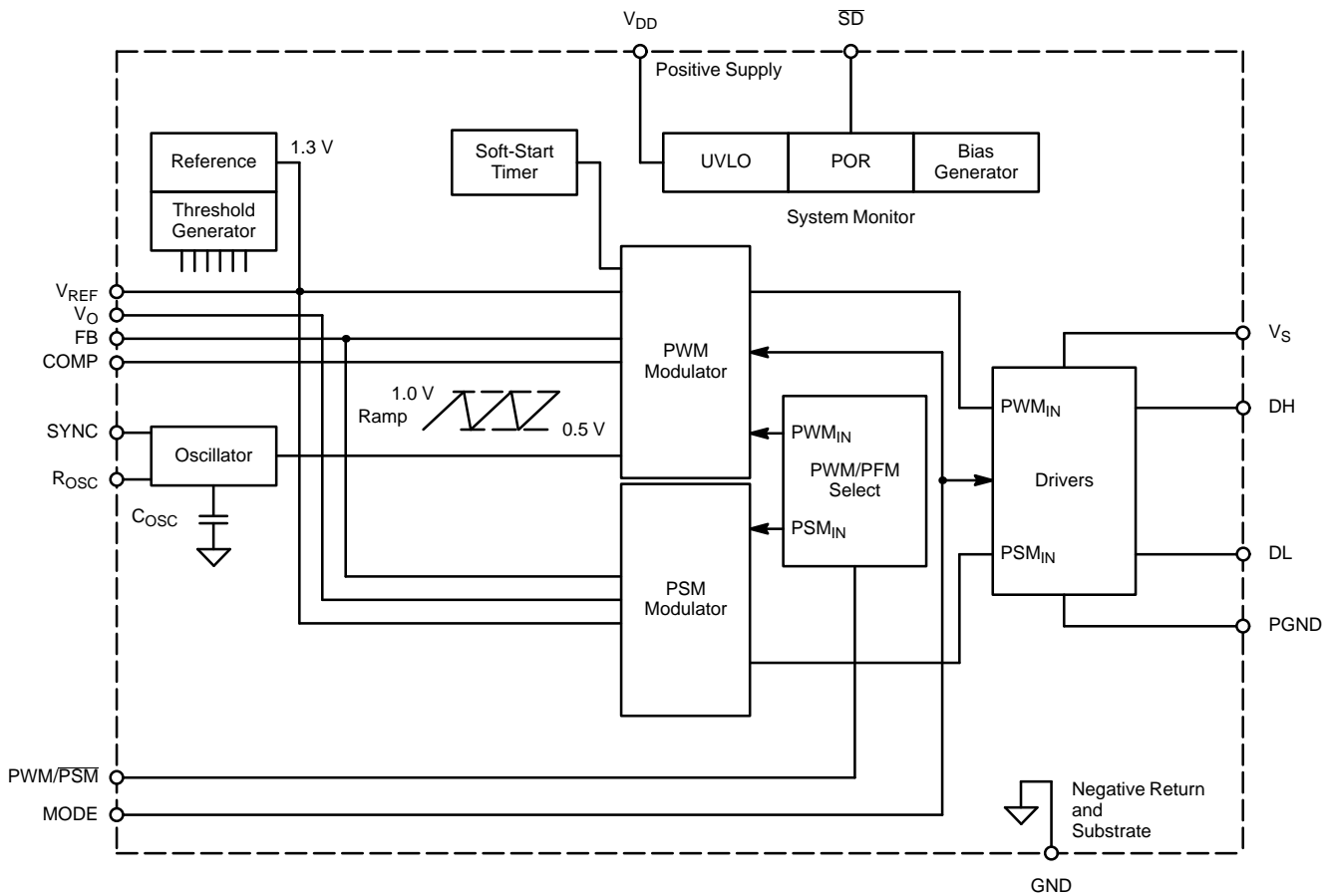


FIGURE 1.

DETAIL OPERATIONAL DESCRIPTION

Start-Up

The UVLO circuit prevents the controller output driver and oscillator circuit from turning on, if the voltage on V_{DD} pin is less than 4.5 V. With typical UVLO hysteresis of 0.2 V, the controller is continuously powered on until the V_{DD} voltage drops below 4.3 V. This hysteresis prevents the converter from oscillating during the start-up phase and unintentionally locking up the system. Once the V_{DD} voltage exceeds the UVLO threshold, and with no other shutdown condition detected, an internal power-on-reset timer is activated while most circuitry, except the output driver, are turned on. After the POR time-out of about 1 ms, the internal soft-start capacitor is allowed to charge. When the soft-start capacitor voltage reaches 0.5 V, the PWM circuit is enabled. Thereafter, the constant current charging of the soft-start capacitor will force the converter output voltage to rise gradually without overshooting. To prevent negative undershoot, the

synchronous switch is tri-stated until the duty cycle reaches about 10%. See start-up timing diagram. In tri-state, the high-side p-channel MOSFET is turned off by pulling up the gate voltage (D_H) to V_S potential. The low-side n-channel MOSFET is turned off by pulling down the gate voltage (D_L) to PGND potential. Note that Si9168 will always soft starts in the PWM mode regardless of the voltage level on the PWM/PSM pin.

Shutdown

Si9168 is designed to conserve as much battery life as possible by decreasing current consumption of IC during normal operation as well as the shutdown mode. With logic low level on the \overline{SD} pin, current consumption of the Si9168 decreases to less than 2 μA by shutting off most of the circuits. The logic high enables the controller and starts up as described in “Start-Up” section above.



DETAIL OPERATIONAL DESCRIPTION

PWM Mode

With PWM/PSM mode pin in logic high condition, Si9168 operates in constant frequency (PWM) mode. As the load and input voltage vary, switching frequency remain constant. The switching frequency is programmed by the R_{OSC} value as shown by the oscillator curve. In the PWM mode, the synchronous drive is always enabled, even when the output current reaches 0 A. In continuous current mode, the transfer function of the converter remain constant providing fast transient response. If the converter operates in discontinuous current mode, overall loop gain decreases and transient response time can be 10 times longer than if the converter remain in continuous current mode. This transient response time advantage can significantly decrease the hold-up capacitors needed on the output of dc-dc converter to meet the transient voltage regulation. Therefore, the PWM/PSM pin is available to dynamically program the controller. If the synchronous rectifier switch is not used, the converter may not operate in PWM mode if the load current is low enough to force the converter into pulse skipping mode.

The maximum duty cycle of the Si9168 can reach 100% in buck mode. The duty cycle will continue to increase as the input voltage decreases until it reaches 100%. This allows the system designers to extract out the maximum stored energy from the battery. Once the controller delivers 100% duty cycle, the converter operates like a saturated linear regulator. At 100% duty cycle, synchronous rectification is completely turned off. At up to 80% duty cycle at 2-MHz switching frequency, the controller maintains perfect output voltage regulation. If the input voltage drops below the level where the converter requires greater than 80% duty cycle, the controller will deliver 100% duty cycle. This instantaneous jump in duty cycle is due to fixed BBM time and the internal propagation delays. In order to maintain regulation, the controller might fluctuate its duty cycle back and forth from 100% to something lower than 80% during this input voltage range. If the input voltage drops further, the controller will remain on for 100% duty cycle. If the input voltage increases to a point where it's requiring less than 80% duty cycle, synchronous rectification is once again activated.

The maximum duty cycle under boost mode is internally limited to 75% to prevent inductor saturation. If the converter is turned on for 100% duty cycle, the inductor never gets a chance to discharge its energy and eventually saturate. In boost mode, the synchronous rectifier is always turned on for minimum or greater duration as long as the switch has been turned on. The controller will deliver 0% duty cycle, if the input voltage is greater than the programmed output voltage. Because of fixed BBM time, the controller will not transition smoothly from minimum controllable duty cycle to 0% duty cycle. For example, controller may decrease its duty cycle from 5% to 0% abruptly, instead of the gradual decrease seen from 75% to 5%.

Pulse Skipping Mode

The gate charge losses produced from the Miller capacitance of MOSFETs are the dominant power dissipation parameter

during light load (i.e. < 200 mA). Therefore, less gate switching will improve overall converter efficiency. This is exactly why the Si9168 is designed with pulse skipping mode. If the PWM/PSM pin is connected to logic low level, converter operates in pulse skipping modulation (PSM) mode. During the pulse skipping mode, quiescent current of the controller is decreased to approximately 350 μ A, instead of 900 μ A during the PWM mode. This is accomplished by turning off most of the internal control circuitry and utilizing a simple constant on-time control with the feedback comparator. The controller is designed to have a constant on-time and a minimum off-time acting as the feedback comparator blanking time. If the output voltage drops below the desired level, the main switch is first turned on and then off. If the applied on-time is insufficient to provide the desired voltage, the controller will force another on and off sequence, until the desired voltage is accomplished. If the applied on-time forces the output to exceed the desired level, as typically found in the light load condition, the converter stays off. The excess energy is delivered to the output slowly, forcing the converter to skip pulses as needed to maintain regulation. The on-time and off-time are set internally based on the inductor used (2- μ H typical) and the maximum load current. Therefore, with this control method, duty cycles ranging from 0 to 100% are possible depending on whether the boost or buck mode is chosen.

Reference

The reference voltage for the Si9168 is set at 1.3 V. The reference voltage is internally connected to the non-inverting inputs of the error amplifier. The REF pin requires a 0.1- μ F decoupling capacitor.

Error Amplifier

The error amplifier gain-bandwidth product and slew rate are critical parameters which determines the transient response of converter. The transient response is function of both small and large signal responses. The small signal response is determined by the feedback compensation network while the large signal is determined by the error amplifier dv/dt and the inductor di/dt slew rate. Besides the inductance value, the error amplifier determines the converter response time. In order to minimize the response time, Si9168 is designed with a 2-MHz error amplifier gain-bandwidth product to generate the widest converter bandwidth and a 3.5-V/ μ sec slew rate for ultra-fast large signal response.

Oscillator

The oscillator is designed to operate up to 2-MHz minimum. The 2-MHz operating frequency allows the converter to minimize the inductor and capacitor size, improving the power density of the converter. Even with a 2-MHz switching frequency, quiescent current is only 1100 μ A (max) with the unique power saving circuit design. The switching frequency is easily programmed by attaching a resistor to the R_{OSC} pin. See oscillator frequency versus R_{osc} curve to select the proper timing values for the desired operating frequency. The tolerance on the operating frequency is $\pm 20\%$ with a 1% tolerance resistor.



DETAIL OPERATIONAL DESCRIPTION

Synchronization

The synchronization to external clock is easily accomplished by connecting the external clock into the SYNC pin. The logic high to low transition synchronizes the clock. The external clock frequency must be within 1.2 to 1.5 times the internal clock frequency.

Break-Before-Make Timing

A proper BBM time is essential in order to prevent shoot-through current and to maintain high efficiency. The break-before-make time is set internally at 20 to 60 ns @ $V_S = 7.2$ V. The high- and low-side gate drive voltages are monitored and when the gate-to-source voltage reaches 3.5 V

above or below the initial starting voltage, 20- to 60-ns BBM time is set before the other gate drive transitions to its proper state. The maximum and minimum duty cycle is limited by the BBM time. Since the BBM time is fixed, controllable maximum duty cycle will vary depending on the switching frequency.

Output Driver Stage

The D_H pin is designed to drive the main switch MOSFET and D_L pin is designed to drive the synchronous rectifier MOSFET. The driver stage is sized to sink and source peak currents up to 1000 mA with $V_S = 7.2$ V. The ringing from the gate drive output trace inductance can produce negative voltage on the D_H and D_L respect to PGND. The gate drive circuit is capable of withstanding these negative voltages without any functional defects.

APPLICATIONS

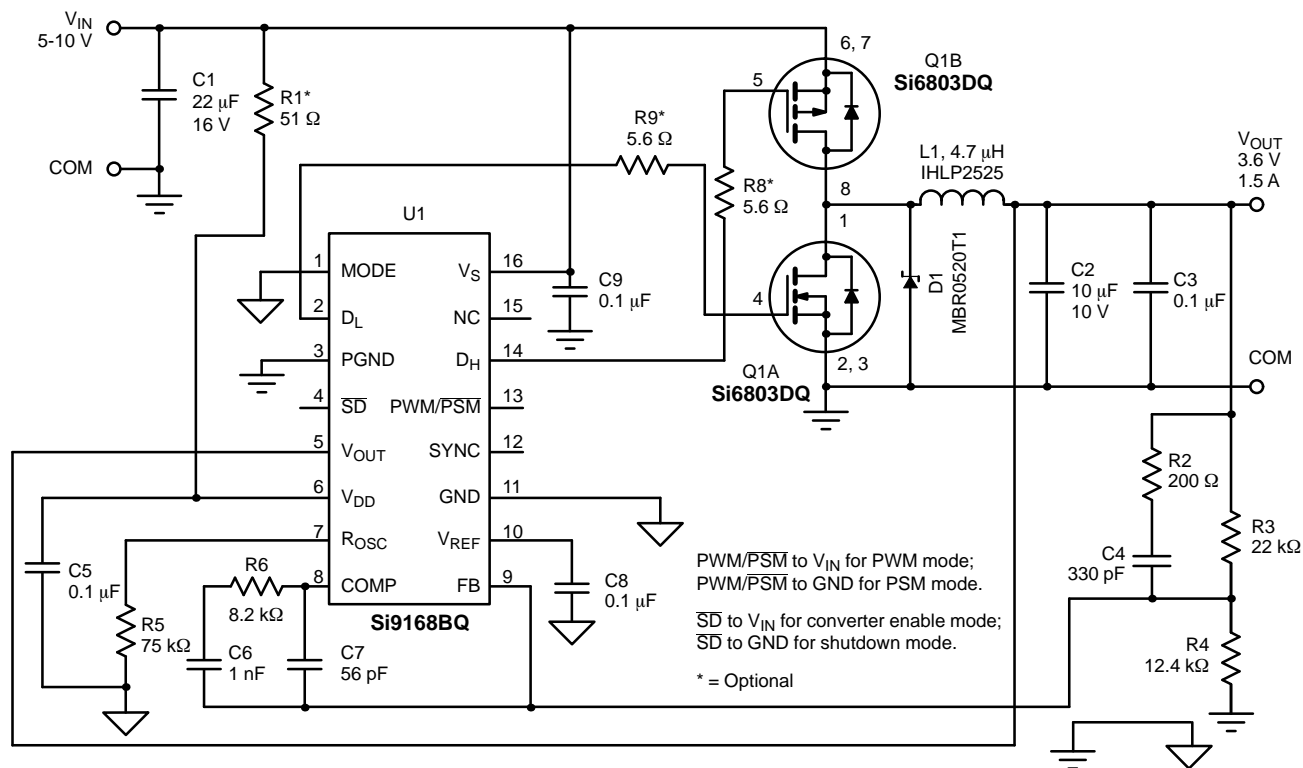


FIGURE 2. 1.5-A Buck Regulator Using the Si9168BQ

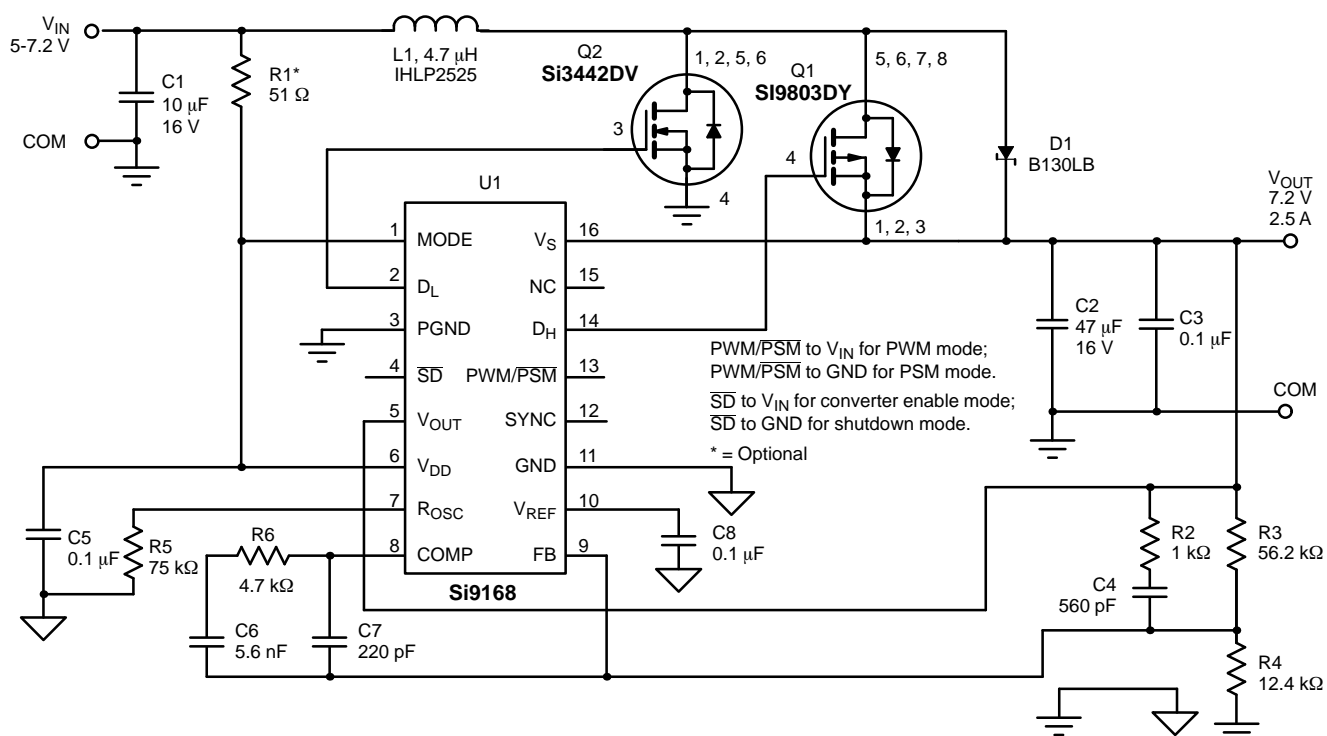


FIGURE 3. Si9168BQ Boost Regulator Application



Notice

Specifications of the products displayed herein are subject to change without notice. Vishay Intertechnology, Inc., or anyone on its behalf, assumes no responsibility or liability for any errors or inaccuracies.

Information contained herein is intended to provide a product description only. No license, express or implied, by estoppel or otherwise, to any intellectual property rights is granted by this document. Except as provided in Vishay's terms and conditions of sale for such products, Vishay assumes no liability whatsoever, and disclaims any express or implied warranty, relating to sale and/or use of Vishay products including liability or warranties relating to fitness for a particular purpose, merchantability, or infringement of any patent, copyright, or other intellectual property right.

The products shown herein are not designed for use in medical, life-saving, or life-sustaining applications. Customers using or selling these products for use in such applications do so at their own risk and agree to fully indemnify Vishay for any damages resulting from such improper use or sale.

TSSOP: 16-LEAD



| Symbols | DIMENSIONS IN MILLIMETERS | | |
|---------|---------------------------|-------|------|
| | Min | Nom | Max |
| A | - | 1.10 | 1.20 |
| A1 | 0.05 | 0.10 | 0.15 |
| A2 | - | 1.00 | 1.05 |
| B | 0.22 | 0.28 | 0.38 |
| C | - | 0.127 | - |
| D | 4.90 | 5.00 | 5.10 |
| E | 6.10 | 6.40 | 6.70 |
| E1 | 4.30 | 4.40 | 4.50 |
| e | - | 0.65 | - |
| L | 0.50 | 0.60 | 0.70 |
| L1 | 0.90 | 1.00 | 1.10 |
| y | - | - | 0.10 |
| θ1 | 0° | 3° | 6° |

ECN: S-61920-Rev. D, 23-Oct-06
DWG: 5624



RECOMMENDED MINIMUM PAD FOR TSSOP-16



Recommended Minimum Pads
Dimensions in inches (mm)



Disclaimer

ALL PRODUCT, PRODUCT SPECIFICATIONS AND DATA ARE SUBJECT TO CHANGE WITHOUT NOTICE TO IMPROVE RELIABILITY, FUNCTION OR DESIGN OR OTHERWISE.

Vishay Intertechnology, Inc., its affiliates, agents, and employees, and all persons acting on its or their behalf (collectively, "Vishay"), disclaim any and all liability for any errors, inaccuracies or incompleteness contained in any datasheet or in any other disclosure relating to any product.

Vishay makes no warranty, representation or guarantee regarding the suitability of the products for any particular purpose or the continuing production of any product. To the maximum extent permitted by applicable law, Vishay disclaims (i) any and all liability arising out of the application or use of any product, (ii) any and all liability, including without limitation special, consequential or incidental damages, and (iii) any and all implied warranties, including warranties of fitness for particular purpose, non-infringement and merchantability.

Statements regarding the suitability of products for certain types of applications are based on Vishay's knowledge of typical requirements that are often placed on Vishay products in generic applications. Such statements are not binding statements about the suitability of products for a particular application. It is the customer's responsibility to validate that a particular product with the properties described in the product specification is suitable for use in a particular application. Parameters provided in datasheets and/or specifications may vary in different applications and performance may vary over time. All operating parameters, including typical parameters, must be validated for each customer application by the customer's technical experts. Product specifications do not expand or otherwise modify Vishay's terms and conditions of purchase, including but not limited to the warranty expressed therein.

Except as expressly indicated in writing, Vishay products are not designed for use in medical, life-saving, or life-sustaining applications or for any other application in which the failure of the Vishay product could result in personal injury or death. Customers using or selling Vishay products not expressly indicated for use in such applications do so at their own risk. Please contact authorized Vishay personnel to obtain written terms and conditions regarding products designed for such applications.

No license, express or implied, by estoppel or otherwise, to any intellectual property rights is granted by this document or by any conduct of Vishay. Product names and markings noted herein may be trademarks of their respective owners.

Material Category Policy

Vishay Intertechnology, Inc. hereby certifies that all its products that are identified as RoHS-Compliant fulfill the definitions and restrictions defined under Directive 2011/65/EU of The European Parliament and of the Council of June 8, 2011 on the restriction of the use of certain hazardous substances in electrical and electronic equipment (EEE) - recast, unless otherwise specified as non-compliant.

Please note that some Vishay documentation may still make reference to RoHS Directive 2002/95/EC. We confirm that all the products identified as being compliant to Directive 2002/95/EC conform to Directive 2011/65/EU.

Vishay Intertechnology, Inc. hereby certifies that all its products that are identified as Halogen-Free follow Halogen-Free requirements as per JEDEC JS709A standards. Please note that some Vishay documentation may still make reference to the IEC 61249-2-21 definition. We confirm that all the products identified as being compliant to IEC 61249-2-21 conform to JEDEC JS709A standards.

Компания «Life Electronics» занимается поставками электронных компонентов импортного и отечественного производства от производителей и со складов крупных дистрибьюторов Европы, Америки и Азии.

С конца 2013 года компания активно расширяет линейку поставок компонентов по направлению коаксиальный кабель, кварцевые генераторы и конденсаторы (керамические, пленочные, электролитические), за счёт заключения дистрибьюторских договоров

Мы предлагаем:

- Конкурентоспособные цены и скидки постоянным клиентам.
- Специальные условия для постоянных клиентов.
- Подбор аналогов.
- Поставку компонентов в любых объемах, удовлетворяющих вашим потребностям.
- Приемлемые сроки поставки, возможна ускоренная поставка.
- Доставку товара в любую точку России и стран СНГ.
- Комплексную поставку.
- Работу по проектам и поставку образцов.
- Формирование склада под заказчика.
- Сертификаты соответствия на поставляемую продукцию (по желанию клиента).
- Тестирование поставляемой продукции.
- Поставку компонентов, требующих военную и космическую приемку.
- Входной контроль качества.
- Наличие сертификата ISO.

В составе нашей компании организован Конструкторский отдел, призванный помогать разработчикам, и инженерам.

Конструкторский отдел помогает осуществить:

- Регистрацию проекта у производителя компонентов.
- Техническую поддержку проекта.
- Защиту от снятия компонента с производства.
- Оценку стоимости проекта по компонентам.
- Изготовление тестовой платы монтаж и пусконаладочные работы.



Тел: +7 (812) 336 43 04 (многоканальный)

Email: org@lifeelectronics.ru